

European Aviation Safety Agency

Certification Specifications and Acceptable Means of Compliance for Large Aeroplanes CS-25

Amendment 14
19 December 2013¹

¹ For the date of entry into force of this Amendment, kindly refer to Decision 2013/033/R in the [Official Publication](#) of the Agency.

CS-25**CONTENTS (general layout)****CS-25****LARGE AEROPLANES****PREAMBLE****BOOK 1 – CERTIFICATION SPECIFICATIONS**

SUBPART A	–	GENERAL
SUBPART B	–	FLIGHT
SUBPART C	–	STRUCTURE
SUBPART D	–	DESIGN AND CONSTRUCTION
SUBPART E	–	POWERPLANT
SUBPART F	–	EQUIPMENT
SUBPART G	–	OPERATING LIMITATIONS AND INFORMATION
SUBPART H	–	ELECTRICAL WIRING INTERCONNECTION SYSTEMS
SUBPART J	–	AUXILIARY POWER UNIT INSTALLATION
APPENDIX A		
APPENDIX C		
APPENDIX D		
APPENDIX F		
APPENDIX H	–	INSTRUCTIONS FOR CONTINUED AIRWORTHINESS
APPENDIX I	–	AUTOMATIC TAKEOFF THRUST CONTROL SYSTEM (ATTCS)
APPENDIX J	–	EMERGENCY DEMONSTRATION
APPENDIX K	–	INTERACTION OF SYSTEMS AND STRUCTURE
APPENDIX L		
APPENDIX M	–	FUEL TANK FLAMMABILITY REDUCTION MEANS
APPENDIX N	–	FUEL TANK FLAMMABILITY EXPOSURE

BOOK 2 – ACCEPTABLE MEANS OF COMPLIANCE (AMC)

INTRODUCTION
AMC – SUBPART B
AMC – SUBPART C
AMC – SUBPART D
AMC – SUBPART E
AMC – SUBPART F
AMC – SUBPART G
AMC – SUBPART H
AMC – SUBPART J
AMC – APPENDICES
GENERAL AMCs

CS-25**PREAMBLE*****CS-25 Amendment 14******Effective: 20/12/2013***

The following is a list of paragraphs affected by this amendment.

Book 1Subpart D

- CS 25.729(f) Deleted (NPA 2013-02)
- CS 25.734 Created (NPA 2013-02)
- CS 25.735(l) Created (NPA 2013-02)
- CS 25.809(g) Corrected (Editorial)

Subpart E

- CS 25.963(e) Amended (NPA 2013-02)

Book 2AMC — Subpart D

- AMC 25.729 Amended (NPA 2013-02)
- AMC 25.734 Created (NPA 2013-02)
- AMC 25.735 Amended (NPA 2013-02)

AMC — Subpart E

- AMC 25.963(e) Amended (NPA 2013-02)

AMC — Subpart F

- AMC 25.1309 Corrected (Editorial)

CS-25***CS-25 Amendment 13******Effective: 10/06/2013***

The following is a list of paragraphs affected by this amendment.

Book 1**Subpart B**

- CS 25.143(k) Created (NPA 2011-09)
- CS 25.143(l) Created (NPA 2011-09)

Subpart C

- CS 25.331(c) Amended (NPA 2011-09)
- CS 25.333(b) Amended (NPA 2011-09)
- CS 25.335(b)(1) Amended (NPA 2011-09)
- CS 25.349(a) Amended (NPA 2011-09)
- CS 25.351 Amended (NPA 2011-09)
- CS 25.397(d) Created (NPA 2011-09)
- CS 25.509 Amended (NPA 2011-09)

Subpart D

- CS 25.745(d) Amended (NPA 2011-09)
- CS 25.777(i) Created (NPA 2011-09)
- CS 25.785(b) Amended (NPA 2011-09)
- CS 25.810(a)(1)(iv) Amended (NPA 2011-09)
- CS 25.855(c) Amended (NPA 2011-09)

Subpart E

- CS 25.951(c) Corrected (editorial)
- CS 25.1193(e)(3) Amended (NPA 2011-09)

Subpart F

- CS 25.1447(c)(3) Amended (NPA 2011-09)

Subpart G

- CS 25.1501 Amended (NPA 2011-17)
- CS 25.1593 Created (NPA 2011-17)

Subpart J

- CS 25J1193(e)(3) Amended (NPA 2011-09)

Appendix Q

Created (NPA 2011-09)

Book 2**AMC - Subpart B**

- AMC 25.21(g) Amended (NPA 2011-09)
- AMC 25.101(g) Created (NPA 2011-09)

AMC - Subpart C

- AMC 25.331(c)(1) Created (NPA 2011-09)
- AMC 25.331(c)(2) Created (NPA 2011-09)

CS-25

- AMC 25.333(b) Created (NPA 2011-09)
- AMC 25.335(b)(1)(ii) Created (NPA 2011-09)
- AMC 25.349(a) Created (NPA 2011-09)
- AMC 25.351 Created (NPA 2011-09)
- AMC 25.509 Created (NPA 2011-09)

AMC - Subpart D

- AMC 25.745(d) Created (NPA 2011-09)

AMC - Subpart E

- AMC 25.1193(e) Created (NPA 2011-09)

AMC - Subpart F

- AMC 25.1447(c)(3) Created (NPA 2011-09)

AMC - Subpart G

- AMC 25.1593 Created (NPA 2011-17)

AMC – Appendices

- AMC to Appendix Q Created (NPA 2011-09)

General Acceptable Means of Compliance

- AMC 25-13 Amended (NPA 2011-09)

CS-25 Amendment 12***Effective: 13/07/2012***

The following is a list of paragraphs affected by this amendment.

Book 1Subpart C

- CS 25.341(a)(4) Corrected (editorial)

Subpart D

- CS 25.785 Amended (NPA 2010-11)
- CS 25.807 Amended (NPA 2010-11)
- CS 25.809 Amended (NPA 2010-11)
- CS 25.810 Amended (NPA 2010-11)
- CS 25.812 Amended (NPA 2010-11)
- CS 25.813 Amended (NPA 2010-11)
- CS 25.851 Amended (NPA 2011-14)
- CS 25.853(f) Amended (NPA 2010-11)
- CS 25.855 Amended (NPA 2010-11)

Subpart E

- CS 25.951(c) Corrected (editorial)
- CS 25.1197 Amended (NPA 2011-14)

Subpart F

- CS 25.1305(a)(2) Amended (NPA 2011-13)
- CS 25.1445 Corrected (editorial)
- CS 25.1447(c)(4) Amended (NPA 2010-11)

CS-25Appendix F

- Part II Amended (NPA 2011-14)

Book 2AMC - Subpart D

- AMC 25.703 Amended (editorial)
- AMC 25.729 Amended (editorial)
- AMC 25.735 Amended (editorial)
- AMC 25.803 Amended (editorial)
- AMC to 25.807 and 25.813 Amended (NPA 2010-11)
- AMC 25.807 Deleted (NPA 2010-11)
- AMC 25.807(d) Amended (NPA 2010-11)
- AMC 25.809 Created (NPA 2010-11)
- AMC 25.809(a)(3) Created (NPA 2010-11)
- AMC 25.813 Created (NPA 2010-11)
- AMC 25.851(a) Amended (NPA 2011-14)
- AMC 25.851(a)(1) Amended (NPA 2011-14)
- AMC 25.851(a)(2) Amended (NPA 2011-14)
- AMC 25.851(b) Amended (NPA 2011-14)
- AMC 25.851(c) Created (NPA 2011-14)
- AMC to CS 25.855 and 25.857 Amended (NPA 2011-14)

AMC – Subpart E

- AMC 25.1195(b) Amended (NPA 2011-14)
- AMC 25.1197 Created (NPA 2011-14)

AMC - Subpart F

- AMC 25.1305(a)(2) Created (NPA 2011-13)
- AMC 25.1309 Amended (editorial)
- AMC 25.1322 Corrected (editorial)
- AMC 25.1329 Amended (editorial)
- AMC 25.1435 Amended (editorial)
- AMC 25.1309, Appendix 2 Amended (editorial)

AMC - Subpart G

- AMC 25.1581, Appendix 1 Amended (editorial)

GENERALACCEPTABLE MEANS OF COMPLIANCE – AMC

- AMC 25-11 Amended and corrected (editorial)

CS-25 Amendment 11***Effective: 04/07/2011***

The following is a list of paragraphs affected by this amendment.

Cover page

- Title Amended (editorial)

CS-25**Table of contents**

• Title of Book 1	Amended (editorial)
Book 1	
<u>Cover page</u>	
• Titles	Amended (editorial)
<u>Subpart A</u>	
• CS 25.1	Amended (editorial)
<u>Subpart B</u>	
• CS 25.177(c)	Corrected (editorial)
<u>Subpart C</u>	
• CS 25.333	Corrected (editorial)
<u>Subpart D</u>	
• CS 25.785(f)(3)	Corrected (editorial)
<u>Subpart F</u>	
• CS 25.1322	Amended (NPA 2009-12)
• CS 25.1459(d)(3)	Corrected (editorial)
Book 2	
<u>Cover page</u>	
• Title	Amended (editorial)
<u>AMC - Subpart B</u>	
• AMC 25.177(c)	Corrected (editorial)
<u>AMC - Subpart C</u>	
• AMC 25.561(b)(3)	Corrected (editorial)
<u>AMC - Subpart D</u>	
• AMC 25.783	Corrected (editorial)
• AMC 25.785(d)	Corrected (editorial)
• AMC 25.791	Amended (editorial)
• AMC 25.803	Amended (editorial)
• AMC 25.807	Amended (editorial)
• AMC 25.807(d)	Corrected (editorial)
• AMC 25.812	Amended (editorial)
• AMC 25.815	Amended (editorial)
• AMC 25.853	Amended (editorial)
• AMC to CS 25.855 and 25.857	Amended (editorial)
<u>AMC - Subpart E</u>	
• AMC 25.1125(a)(3)	Deleted
<u>AMC - Subpart F</u>	
• AMC 25.1302	Corrected (editorial)

CS-25

- AMC 25.1309 Amended (editorial)
- AMC 25.1322 Amended (NPA 2009-12)
- AMC No.1 to CS 25.1329 Amended (editorial)

GENERALACCEPTABLE MEANS OF COMPLIANCE – AMC

- AMC 25-11 Amended (NPA 2009-12)

CS-25 Amendment 10***Effective: 23/12/2010***

The following is a list of paragraphs affected by this amendment.

Book 1Subpart G

- CS 25.1535 New (NPA 2008-01)

CS-25 Amendment 9***Effective: 12/08/2010***

The following is a list of paragraphs affected by this amendment.

Book 1Subpart B

- CS 25.113 Corrected (editorial)

Subpart D

- CS 25.603 Amended (NPA 2009-06)
- CS 25.795 Amended (NPA 2009-07)
- CS 25.813 Corrected (editorial)
- CS 25.813 Amended (NPA 2008-04)

Subpart E

- CS 25.981 Amended (definition added)

Subpart J

- CS 25J951 Corrected (editorial)

Book 2Subpart D

- AMC No. 1 to 25.603 Deleted (NPA 2009-06)
- AMC No. 2 to 25.603 Deleted (NPA 2009-06)
- AMC 25.795(a)(1) Amended (NPA 2009-07)
- AMC 25.795(a)(2) Amended (NPA 2009-07)
- AMC 25.795(b)(1) New (NPA 2009-07)
- AMC 25.795(b)(2) New (NPA 2009-07)
- AMC 25.795(b)(3) New (NPA 2009-07)
- AMC 25.795(c)(1) New (NPA 2009-07)
- AMC 25.795(c)(2) New (NPA 2009-07)
- AMC 25.795(c)(3) New (NPA 2009-07)
- AMC 25.813(c) New (NPA 2008-04)

CS-25Subpart E

- AMC 25.981 Corrected (editorial)

Subpart H

- AMC 25.1711 Corrected (editorial)

CS-25 Amendment 8***Effective: 18/12/2009***

The following is a list of paragraphs affected by this amendment.

Book 1Subpart C

- CS 25.361 Amended (NPA 2007-15)
- CS 25.362 Created (NPA 2007-15)

Subpart D

- CS 25.851 Amended (NPA 2008-10)
- CS 25.855 Amended (NPA 2008-10)
- CS 25.857 Amended (NPA 2008-10)

Subpart E

- CS 25.901 Amended (NPA 2007-15)

Appendices

Appendix F

- Part I paragraph (a) Amended (NPA 2008-10)
- Part III - 1–App F–13 Corrected (editorial)

Appendix H

- H25.5 Corrected (editorial)

Book 2General

- AMC 25-24 Created (NPA 2007-15)

Subpart C

- AMC 25.361 Created (NPA 2007-15)
- AMC 25.362 Created (NPA 2007-15)

Subpart D

- AMC 25.703 Corrected (editorial)
- AMC 25.735 Corrected (editorial)
- AMC 25.783 Corrected (editorial)
- AMC 25.857 Amended (NPA 2008-10)

Subpart E

- AMC 25.981 Corrected (editorial)

Subpart F

CS-25

- AMC 25.1309 Corrected (editorial)

CS-25 Amendment 7***Effective: 21/10/2009***

The following is a list of paragraphs affected by this amendment.

Book 1**Subpart B**

- CS 25.143 Amended (NPA 2009-08)
- CS 25.207 Amended (NPA 2009-08)

Subpart F

- CS 25.1419 Amended (NPA 2009-08)

Appendices**Appendix C**

- Part II paragraph (e) Amended (NPA 2009-08)

CS-25 Amendment 6***Effective: 06/07/2009***

The following is a list of paragraphs affected by this amendment.

Book 1**Subpart B**

- CS 25.21 Amended (NPA 2008-05)

Subpart D

- CS 25.807 (h) (3) Corrected (editorial)
- CS 25.856 Created (NPA 2008-13)

Subpart E

- CS 25.981(b) Amended (NPA 2008-19)
- CS 25.981(c) Deleted (NPA 2008-19)

Subpart F

- CS 25.1309 Corrected (editorial)

Appendices**Appendix F**

- Part I paragraph (a) (1) (ii) Amended (NPA 2008-13)
- Part I paragraph (a) (2) (i) Amended (NPA 2008-13)
- Part VI Created (NPA 2008-13)
- Part VII Created (NPA 2008-13)

Appendix M

Created (NPA 2008-19)

Appendix N

Created (NPA 2008-19)

CS-25**Book 2**Subpart B

- AMC 25.21(g) Corrected

Subpart D

- AMC 25.629 Corrected (editorial)
- AMC 25.783 Corrected (editorial)
- AMC 25.807 Corrected (editorial)
- AMC 25.856 (a) Created (NPA 2008-13)
- AMC 25.856 (b) Created (NPA 2008-13)

Subpart E

- AMC 25.981(b) Created (NPA 2008-19)
- AMC 25.981(c) Deleted (NPA 2008-19)

Appendices

- AMC to Appendix N Created (NPA 2008-19)

CS-25 Amendment 5***Effective: 05/09/2008***

The following is a list of paragraphs affected by this amendment.

Book 1Subpart D

- CS 25.611 Amended (NPA 2007-01)
- CS 25.807 Corrected
- CS 25.812 Corrected
- CS 25.855 Amended (NPA 2007-01)
- CS 25.869 Amended (NPA 2007-01)

Subpart E

- CS 25.991 Corrected
- CS 25.1203 Amended (NPA 2007-01)

Subpart F

- CS 25.1301 Amended (NPA 2007-01)
- CS 25.1309 Amended (NPA 2007-01)
- CS 25.1353 Amended (NPA 2007-01)
- CS 25.1357 Amended (NPA 2007-01)
- CS 25.1411 Corrected

Subpart H

- CS 25.1701 Created (NPA 2007-01)
- CS 25.1703 Created (NPA 2007-01)
- CS 25.1705 Created (NPA 2007-01)
- CS 25.1707 Created (NPA 2007-01)
- CS 25.1709 Created (NPA 2007-01)
- CS 25.1711 Created (NPA 2007-01)
- CS 25.1713 Created (NPA 2007-01)
- CS 25.1715 Created (NPA 2007-01)
- CS 25.1717 Created (NPA 2007-01)

CS-25

- CS 25.1719 Created (NPA 2007-01)
- CS 25.1721 Created (NPA 2007-01)
- CS 25.1723 Created (NPA 2007-01)
- CS 25.1725 Created (NPA 2007-01)
- CS 25.1727 Created (NPA 2007-01)
- CS 25.1729 Created (NPA 2007-01)
- CS 25.1731 Created (NPA 2007-01)

Subpart J

- CS 25J991 Corrected

Appendix H

- H25.1 Amended (NPA 2007-01)
- H25.4 Amended (NPA 2007-01)
- H25.5 Created (NPA 2007-01)

Book 2AMC - Subpart E

- AMC 25.951(d) Deleted (Correction)

AMC - Subpart F

- AMC 25.1301(a)(2) Created (NPA 2007-01)
- AMC 25.1301(b) Replaced by AMC 25.1301(a)(2) (NPA 2007-01)
- AMC 25.1357(f) Created (NPA 2007-01)

AMC - Subpart H

- AMC 25 Subpart H Created (NPA 2007-01)
- AMC 25.1701 Created (NPA 2007-01)
- AMC 25.1703 Created (NPA 2007-01)
- AMC 25.1707 Created (NPA 2007-01)
- AMC 25.1709 Created (NPA 2007-01)
- AMC 25.1711 Created (NPA 2007-01)
- AMC 25.1713 Created (NPA 2007-01)
- AMC 25.1715 Created (NPA 2007-01)
- AMC 25.1717 Created (NPA 2007-01)
- AMC 25.1719 Created (NPA 2007-01)
- AMC 25.1721 Created (NPA 2007-01)
- AMC 25.1723 Created (NPA 2007-01)

AMC - Appendices

- AMC to Appendix H, H25.4(a)(3) Created (NPA 2007-01)
- AMC to Appendix H, H25.5 Created (NPA 2007-01)

CS-25 Amendment 4***Effective: 27/12/2007***

The following is a list of paragraphs affected by this amendment.

Book 1Subpart D

- CS 25.729 Amended (NPA 02/2006)

CS-25

- CS 25.773 Amended (NPA 02/2006)
- CS 25.783 Amended (NPA 02/2006)
- CS 25.807 Amended (NPA 02/2006)
- CS 25.809 Amended (NPA 02/2006)
- CS 25.810 Amended (NPA 02/2006)
- CS 25.820 Created (NPA 02/2006)
- CS 25.851 Amended (NPA 02/2006)

Subpart F

- CS 25.1329 Replaced entirely (NPA 18/2006)
- CS 25.1335 Deleted (NPA 18/2006)
- CS 25.1439 Amended (NPA 02/2006)
- CS 25.1453 Amended (NPA 02/2006)

Appendix F

- Part II paragraph (f)4 Corrected (NPA 18/2006)

Book 2AMC - Subpart D

- AMC 25.729 Created (NPA 02/2006)
- AMC 25.773 Created (NPA 02/2006)
- AMC 25.773(b)(1)(ii) Deleted (NPA 02/2006)
- AMC 25.783 Created (NPA 02/2006)
- AMC 25.851(b) Created (NPA 02/2006)

AMC - Subpart F

- AMC 25.1309 (4) Corrected
- AMC 25.1329 Replaced by AMC Nos 1 and 2 to CS 25.1329
- AMC No. 1 to CS 25.1329 Created (NPA 18/2006)
- AMC No. 2 to CS 25.1329 Created (NPA 18/2006)
- AMC 25.1439(b)(5) Deleted (NPA 02/2006)
- AMC 25.1453 Deleted (NPA 02/2006)

CS-25 Amendment 3**Effective: 19/09/2007**

The following is a list of paragraphs affected by this amendment.

Book 1Subpart B

- CS 25.21(g) Created (NPA 16/2004)
- CS 25.103(b)(3) Amended (NPA 16/2004)
- CS 25.105(a) Amended (NPA 16/2004)
- CS 25.107(c)(3) Amended (NPA 16/2004)
- CS 25.107(g)(2) Amended (NPA 16/2004)
- CS 25.107(h) Created (NPA 16/2004)
- CS 25.111(c)(3)(iii) Amended (NPA 16/2004)
- CS 25.111(c)(4) Amended (NPA 16/2004)
- CS 25.111(c)(5) Amended (NPA 16/2004)
- CS 25.119 Amended (NPA 16/2004)
- CS 25.119(a) Amended (NPA 16/2004)

CS-25

- CS 25.119(b) Amended (NPA 16/2004)
- CS 25.121(b) Amended (NPA 16/2004)
- CS 25.121(c) Amended (NPA 16/2004)
- CS 25.121(d) Amended (NPA 16/2004)
- CS 25.123(a) Amended (NPA 16/2004)
- CS 25.123(b) Amended (NPA 16/2004)
- CS 25.125(a) Amended (NPA 16/2004)
- CS 25.125(b) Redesignated as CS 25.125(c) (NPA 16/2004)
- CS 25.125(b) Created (NPA 16/2004)
- CS 25.125(c) Redesignated as CS 25.125(d) (NPA 16/2004)
- CS 25.125(d) Redesignated as CS 25.125(e) (NPA 16/2004)
- CS 25.125(e) Redesignated as CS 25.125(f) (NPA 16/2004)
- CS 25.125(f) Redesignated as CS 25.125(g) (NPA 16/2004)
- CS 25.143(c) Amended and redesignated as CS 25.143(d) (NPA 16/2004)
- CS 25.143(c) Created (NPA 16/2004)
- CS 25.143(d) Amended and redesignated as CS 25.143(e) (NPA 16/2004)
- CS 25.143(e) Amended and redesignated as CS 25.143(f) (NPA 16/2004)
- CS 25.143(f) Amended and redesignated as CS 25.143(g) (NPA 16/2004)
- CS 25.143(g) Redesignated as CS 25.143(h) (NPA 16/2004)
- CS 25.143(i) Created (NPA 16/2004)
- CS 25.143(j) Created (NPA 16/2004)
- CS 25.207(b) Amended (NPA 16/2004)
- CS 25.207(e) Amended and Redesignated as CS 25.207(f) (NPA 16/2004)
- CS 25.207(e) Created
- CS 25.207(f) Amended and Redesignated as CS 25.207(g) (NPA 16/2004)
- CS 25.207(h) Created (NPA 16/2004)
- CS 25.237(a) Amended (NPA 16/2004)
- CS 25.253(b) Amended (NPA 16/2004)
- CS 25.253(c) Created (NPA 16/2004)

Subpart C

- CS 25.405(b) Formula corrected

Subpart D

- CS 25.721 Amended (NPA 21/2005)
- CS 25.773(b)(1)(ii) Amended (NPA 16/2004)
- CS 25.811(g) Amended (NPA 04/2006)
- CS 25.812 Amended (NPA 04/2006)
- CS 25.855(c) Amended (NPA 04/2006)
- CS 25.857(d) Deleted (NPA 04/2006)
- CS 25.858 Amended (NPA 04/2006)

Subpart E

- CS 25.901(b)(1)(ii) Corrected
- CS 25.905 Corrected

CS-25

- CS 25.907 Corrected
- CS 25.941(c) Amended (NPA 16/2004)
- CS 25.963 Amended (NPA 21/2005)
- CS 25.994 Amended (NPA 21/2005)

Subpart F

- CS 25.1302 Created (NPA 15/2004)
- CS 25.1419 Amended (NPA 16/2004)

Subpart J

- CS 25J994 Amended (NPA 21/2005)

Appendix C

- Appendix C Introduction of Part I Title (NPA 16/2004)
- Part I paragraph (c) Created (NPA 16/2004)
- Part II Created (NPA 16/2004)

Book 2AMC - Subpart B

- AMC 25.21(g) Created (NPA 16/2004)
- AMC 25.119(a) Amended and redesignated as AMC 25.119 (NPA 16/2004)
- AMC 25.121(b)(1) Redesignated as AMC 25.121(b)(1) (i) (NPA 16/2004)
- AMC 25.125(a)(3) Redesignated as AMC 25.125(b)(3) (NPA 16/2004)
- AMC 25.125(b) Redesignated as AMC 25.125(c) (NPA 16/2004)
- AMC 25.125(b)(2) Amended and redesignated as AMC 25.125(c)(2)(NPA 16/2004)
- AMC 25.143(c) Amended and redesignated as AMC 25.143(d) (NPA 16/2004)
- AMC No.1 to 25.143(f) Redesignated as AMC No.1 to 25.143(g) (NPA 16/2004)
- AMC No.2 to 25.143(f) Amended and redesignated as AMC No.2 to 25.143(g) (NPA 16/2004)
- AMC 25.143(g) Amended and redesignated as AMC 25.143(h) (NPA 16/2004)

AMC - Subpart D

- AMC 25.812(b)(1) Created (NPA 04/2006)
- AMC 25.812(b)(2) Created (NPA 04/2006)
- AMC 25.812(e)(2) Created (NPA 04/2006)

AMC - Subpart E

- AMC 25.963(d) Replaced (NPA 21/2005)
- AMC 25.963(e) Created (NPA 21/2005)
- AMC 25.963(g) Revoked (NPA 21/2005)

AMC - Subpart F

- AMC 25.1302 Created (NPA 15/2004)
- AMC 25.1329 Cross-references amended (NPA 16/2004)
- AMC 25.1360(a) Title corrected

CS-25

- AMC 25.1360(b) Title corrected

CS-25 Amendment 2**Effective: 02/10/2006**

The following is a list of paragraphs affected by this amendment.

Book 1Subpart B

- CS 25.101 (b)(2) Corrected

Subpart C

- CS 25.399 (a)(1) Corrected

Subpart D

- CS 25.735(f)(2) Corrected
- CS 25.745(c) Corrected

Subpart F

- CS 25.1301(c) Corrected
- CS 25.1365(a) Corrected
- CS 25.1423 Corrected
- CS 1435(b)(2) Corrected

Subpart G

- CS 25.1591 Replaced entirely (NPA 14/2004)

Appendix F

- Part II, (a)(3) Corrected

Appendix J

- Introductory sentence Corrected

Book 2AMC - Subpart C

- AMC 25.335(b)(2), 2 Title corrected
- AMC 25.415, 2 Title corrected
- AMC 25.491, 2 Title corrected
- AMC 25.571(a),(b) and (e), 3.2.2 a Corrected

AMC - Subpart D

- AMC 25.703, 2 Title corrected
- AMC 25.703, 3 a. Corrected
- AMC 25.703, 3. b. (2) Corrected
- AMC 25.703, 5. b. (4) Corrected
- AMC 25.723, 2 Title corrected
- AMC 25.735, 2. a. Corrected
- AMC 25.735, 2. b. (ii) Corrected
- AMC 25.735, 2.b. (vi) Corrected
- AMC 25.735, 4.a.(1)(e) Corrected
- AMC 25.785(d) Designation of this AMC corrected

CS-25AMC - Subpart F

- AMC 25.1309, 3.a.(3) Corrected
- AMC 25.1309, 3.a.(4) Corrected
- AMC 25.1309, 3.b.(2) Corrected
- AMC 25.1309, section 7 heading Corrected
- AMC 25.1322, 2 Title corrected
- AMC 25.1322, 2.1 Corrected
- AMC 25.1435, 2.(b) Corrected
- AMC 25.1457 Corrected

AMC - Subpart G

- AMC 25.1581, 6. (b) (6) (i) Corrected
- AMC 25.1581, APPX 1, 6. b. (1) Corrected
- AMC 25.1583(k), a. and b. Cross-references to CS 25.1591 amended (NPA 4/2004)
- AMC 25.1591 Created (NPA 14/2004)

GENERAL AMC

- AMC 25-11, 3 Title corrected
- AMC 25-11, 3 a. Corrected
- AMC 25-11, 3 b. Corrected
- AMC 25-11, 3 d. (1) Corrected
- AMC 25-11, 4 a. (1) Corrected
- AMC 25-11, 4 a. (2) Corrected
- AMC 25-11, 4 b. (2) (ii) Corrected
- AMC 25-11, 7 b. (1)) Corrected
- AMC 25-13, 2 Title corrected
- AMC 25-19, 2 Title corrected
- AMC 25-19, 3 b. Corrected
- AMC 25-19, section 6 intro Corrected
- AMC 25-19, section 7 intro and a. Corrected
- AMC 25-19, section 8 intro Corrected

CS-25 Amendment 1***Effective: 12/12/2005***

The following is a list of paragraphs affected by this amendment.

Contents

- The title of Subpart J is amended (NPA 10/2004)
- The title of Appendix K is amended (NPA 11/2004)
- A new reference to Appendix L is added (NPA 11/2004)

Book 1Subpart B

- CS 25.251 (a) and (b) Amended (NPA 11/2004)

Subpart C

- CS 25.301(b) Amended (NPA 02/005)
- CS 25.302 Created (NPA 11/2004)
- CS 25.305 Amended by adding sub-paragraphs (e) and (f) ((NPA 11/2004))

CS-25

- CS 25.307 Amended (NPA 11/2004)
- CS 25.341 Amended (NPA 11/2004)
- CS 25.343(b)(1)(ii) Amended (NPA 11/2004)
- CS 25.345(c)(2) Amended (NPA 11/2004)
- CS 25.371 Amended (NPA 11/2004)
- CS 25.373 (a) Amended (NPA 11/2004)
- CS 25.391 Amended (NPA 11/2004)
- CS 25.427 Amended by adding sub-paragraph (d) (NPA 11/2004)

Subpart D

- CS 25.613 Amended (NPA 11/2004)
- CS 25.621 Replaced (NPA 08/2004)
- CS 25.629 Amended (NPA 11/2004)

Subpart E

- CS 25.901(c) Amended (NPA 13/2004)
- CS 25.933 (a)(1) Amended (NPA 13/2004)
- CS 25.981 Replaced (NPA 10/2004)
- CS 25.1141 (f) Amended (NPA 13/2004)
- CS 25.1189 Amended (NPA 13/2004)

Subpart F

- CS 25.1436(b)(7) Amended to refer to Appendix L (NPA 11/2004)

Subpart G

- CS 25.1517 Amended (NPA 11/2004)
- CS 25.1522 Deleted. (NPA 10/2004)
- CS 25.1583(b)(1) Amended by removing reference to CS 25.1522 (NPA 10/2004)

Subpart J

- Sub-part J Replaced entirely (NPA 10/2004)
- CS 25J1189 Amended by adding reference to AMC 25.1189 (NPA 13/2004)

Appendices

- Appendix K Replaced entirely (NPA 11/2004)
- Appendix L Old Appendix K renumbered (NPA 11/2004)

Book 2

Introduction

Amended to reflect changes introduced by Amendment 1.

AMC - Subpart C

- AMC 25.301(b) Amended (sub-paragraph (b) deleted) and renumbered as AMC No 1 to CS 25.301(b) (NPA 02/2005)
- AMC No.2 to CS 25.301(b) Created (NPA 02/2005)
- AMC 25.307 Replaced (NPA 11/2004)
- AMC 25.341 Amended (NPA 11/2004)

AMC - Subpart D

- AMC 25.613 Created (NPA 11/2004)
- AMC 25.621 Created (NPA 08/2004)
- AMC 25.621(c) Created (NPA 08/2004)

CS-25

- AMC 25.621(c)(1) Created (NPA 08/2004)
- AMC 25.629 Created (NPA 11/2004)

AMC - Subpart E

- AMC 25.901(c) Created (NPA 13/2004)
- AMC 25.933 (a)(1) Created (NPA 13/2004)
- AMC 25.981(a) Created (NPA 10/2004)
- AMC 25.981(c) Created (NPA 10/2004)
- AMC 25.1189 Created (NPA 13/2004)

AMC- Subpart J

- Existing AMC to subpart J Deleted entirely (NPA 10/2004)
- AMC 25J901(c)(2) Created (NPA 10/2004)
- AMC 25J901(c)(4) Created (NPA 10/2004)
- AMC 25J943 Created (NPA 10/2004)
- AMC 25J955(a)(2)(iii) Created (NPA 10/2004)
- AMC 25J991 Created (NPA 10/2004)
- AMC 25J1041 Created (NPA 10/2004)
- AMC 25J1093(b) Created (NPA 10/2004)
- AMC 25J1195(b) Created (NPA 10/2004)

CS-25 BOOK 1

**EASA Certification Specifications and Acceptable Means of
Compliance
for
Large Aeroplanes**

**CS-25
Book 1**

Certification Specifications

CS-25 BOOK 1

SUBPART A – GENERAL

CS 25.1 Applicability

(a) These Certification Specifications are applicable to turbine powered Large Aeroplanes.

[Amdt. No.: 25/11]

CS-25 BOOK 1**SUBPART B – FLIGHT****GENERAL****CS 25.20 Scope**

(a) The requirements of this Subpart B apply to aeroplanes powered with turbine engines –

(1) Without contingency thrust ratings, and

(2) For which it is assumed that thrust is not increased following engine failure during take-off except as specified in subparagraph (c).

(b) In the absence of an appropriate investigation of operational implications these requirements do not necessarily cover –

(1) Automatic landings.

(2) Approaches and landings with decision heights of less than 60 m (200 ft).

(3) Operations on unprepared runway surfaces.

(c) If the aeroplane is equipped with an engine control system that automatically resets the power or thrust on the operating engine(s) when any engine fails during take-off, additional requirements pertaining to aeroplane performance and limitations and the functioning and reliability of the system, contained in Appendix I, must be complied with.

CS 25.21 Proof of compliance

(a) Each requirement of this Subpart must be met at each appropriate combination of weight and centre of gravity within the range of loading conditions for which certification is requested. This must be shown –

(1) By tests upon an aeroplane of the type for which certification is requested, or by calculations based on, and equal in accuracy to, the results of testing; and

(2) By systematic investigation of each probable combination of weight and centre of gravity, if compliance cannot be reasonably inferred from combinations investigated.

(b) Reserved

(c) The controllability, stability, trim, and stalling characteristics of the aeroplane must be

shown for each altitude up to the maximum expected in operation.

(d) Parameters critical for the test being conducted, such as weight, loading (centre of gravity and inertia), airspeed, power, and wind, must be maintained within acceptable tolerances of the critical values during flight testing.

(e) If compliance with the flight characteristics requirements is dependent upon a stability augmentation system or upon any other automatic or power-operated system, compliance must be shown with CS 25.671 and 25.672.

(f) In meeting the requirements of CS 25.105(d), 25.125, 25.233 and 25.237, the wind velocity must be measured at a height of 10 metres above the surface, or corrected for the difference between the height at which the wind velocity is measured and the 10-metre height.

(g) The requirements of this subpart associated with icing conditions apply only if the applicant is seeking certification for flight in icing conditions.

(1) Each requirement of this subpart, except CS 25.121(a), 25.123(c), 25.143(b)(1) and (b)(2), 25.149, 25.201(c)(2), and 25.251(b) through (e), must be met in icing conditions. CS 25.207(c) and (d) must be met in the landing configuration in icing conditions but need not be met for other configurations. Compliance must be shown using the ice accretions defined in Appendix C, assuming normal operation of the aeroplane and its ice protection system in accordance with the operating limitations and operating procedures established by the applicant and provided in the Aeroplane Flight Manual.

(2) No changes in the load distribution limits of CS 25.23, the weight limits of CS 25.25 (except where limited by performance requirements of this subpart), and the centre of gravity limits of CS 25.27, from those for non-icing conditions, are allowed for flight in icing conditions or with ice accretion.

[Amdt. No.:25/3]

[Amdt. No.:25/6]

CS 25.23 Load distribution limits

(a) Ranges of weights and centres of gravity within which the aeroplane may be safely

CS-25 BOOK 1

operated must be established. If a weight and centre of gravity combination is allowable only within certain load distribution limits (such as spanwise) that could be inadvertently exceeded, these limits and the corresponding weight and centre of gravity combinations must be established.

(b) The load distribution limits may not exceed –

- (1) The selected limits;
- (2) The limits at which the structure is proven; or
- (3) The limits at which compliance with each applicable flight requirement of this Subpart is shown.

CS 25.25 Weight Limits

(a) *Maximum weights.* Maximum weights corresponding to the aeroplane operating conditions (such as ramp, ground taxi, take-off, en-route and landing) environmental conditions (such as altitude and temperature), and loading conditions (such as zero fuel weight, centre of gravity position and weight distribution) must be established so that they are not more than –

- (1) The highest weight selected by the applicant for the particular conditions; or
- (2) The highest weight at which compliance with each applicable structural loading and flight requirement is shown.
- (3) The highest weight at which compliance is shown with the noise certification requirements .

(b) *Minimum weight.* The minimum weight (the lowest weight at which compliance with each applicable requirement of this CS–25 is shown) must be established so that it is not less than –

- (1) The lowest weight selected by the applicant;
- (2) The design minimum weight (the lowest weight at which compliance with each structural loading condition of this CS–25 is shown); or
- (3) The lowest weight at which compliance with each applicable flight requirement is shown.

CS 25.27 Centre of gravity limits

The extreme forward and the extreme aft centre of gravity limitations must be established for

each practicably separable operating condition. No such limit may lie beyond –

- (a) The extremes selected by the applicant;
- (b) The extremes within which the structure is proven; or
- (c) The extremes within which compliance with each applicable flight requirement is shown.

CS 25.29 Empty weight and corresponding centre of gravity

(a) The empty weight and corresponding centre of gravity must be determined by weighing the aeroplane with –

- (1) Fixed ballast;
- (2) Unusable fuel determined under CS 25.959; and
- (3) Full operating fluids, including –

- (i) Oil;
- (ii) Hydraulic fluid; and
- (iii) Other fluids required for normal operation of aeroplane systems, except potable water, lavatory pre-charge water, and fluids intended for injection in the engine.

(b) The condition of the aeroplane at the time of determining empty weight must be one that is well defined and can be easily repeated.

CS 25.31 Removable ballast

Removable ballast may be used in showing compliance with the flight requirements of this Subpart.

CS 25.33 Propeller speed and pitch limits

(a) The propeller speed and pitch must be limited to values that will ensure –

- (1) Safe operation under normal operating conditions; and
- (2) Compliance with the performance requirements in CS 25.101 to 25.125.

(b) There must be a propeller speed limiting means at the governor. It must limit the maximum possible governed engine speed to a value not exceeding the maximum allowable rpm.

(c) The means used to limit the low pitch position of the propeller blades must be set so

CS-25 BOOK 1

that the engine does not exceed 103% of the maximum allowable engine rpm or 99% of an approved maximum overspeed, whichever is greater, with –

- (1) The propeller blades at the low pitch limit and governor inoperative;
- (2) The aeroplane stationary under standard atmospheric conditions with no wind; and
- (3) The engines operating at the maximum take-off torque limit for turbopropeller engine-powered aeroplanes.

PERFORMANCE**CS 25.101 General**
(See AMC 25.101)

(a) Unless otherwise prescribed, aeroplanes must meet the applicable performance requirements of this Subpart for ambient atmospheric conditions and still air.

(b) The performance, as affected by engine power or thrust, must be based on the following relative humidities:

- (1) 80%, at and below standard temperatures; and
- (2) 34%, at and above standard temperatures plus 28°C (50°F).

Between these two temperatures, the relative humidity must vary linearly.

(c) The performance must correspond to the propulsive thrust available under the particular ambient atmospheric conditions, the particular flight condition, and the relative humidity specified in sub-paragraph (b) of this paragraph. The available propulsive thrust must correspond to engine power or thrust, not exceeding the approved power or thrust, less –

- (1) Installation losses; and
- (2) The power or equivalent thrust absorbed by the accessories and services appropriate to the particular ambient atmospheric conditions and the particular flight condition. (See AMCs No 1 and No 2 to CS 25.101(c).)

(d) Unless otherwise prescribed, the applicant must select the take-off, en-route, approach, and landing configuration for the aeroplane.

(e) The aeroplane configurations may vary with weight, altitude, and temperature, to the extent they are compatible with the operating procedures required by sub-paragraph (f) of this paragraph.

(f) Unless otherwise prescribed, in determining the accelerate-stop distances, take-off flight paths, take-off distances, and landing distances, changes in the aeroplane's configuration, speed, power, and thrust, must be made in accordance with procedures established by the applicant for operation in service.

(g) Procedures for the execution of balked landings and missed approaches associated with the conditions prescribed in CS 25.119 and 25.121(d) must be established.

(h) The procedures established under sub-paragraphs (f) and (g) of this paragraph must –

- (1) Be able to be consistently executed in service by crews of average skill,
- (2) Use methods or devices that are safe and reliable, and
- (3) Include allowance for any time delays in the execution of the procedures, that may reasonably be expected in service. (See AMC 25.101(h)(3).)

(i) The accelerate-stop and landing distances prescribed in CS 25.109 and 25.125, respectively, must be determined with all the aeroplane wheel brake assemblies at the fully worn limit of their allowable wear range. (See AMC 25.101(i).)

[Amdt. No.:25/2]

CS 25.103 Stall speed

(a) The reference stall speed V_{SR} is a calibrated airspeed defined by the applicant. V_{SR} may not be less than a 1-g stall speed. V_{SR} is expressed as:

$$V_{SR} \geq \frac{V_{CLMAX}}{\sqrt{n_{zw}}}$$

where –

V_{CLMAX} = Calibrated airspeed obtained when the loadfactor-corrected lift coefficient

$\left(\frac{n_{zw}W}{qS}\right)$ is first a maximum during

the manoeuvre prescribed in sub-paragraph (c) of this paragraph. In addition, when the manoeuvre is limited by a device that abruptly

CS-25 BOOK 1

pushes the nose down at a selected angle of attack (e.g. a stick pusher), V_{CLMAX} may not be less than the speed existing at the instant the device operates;

n_{zw} =Load factor normal to the flight path at V_{CLMAX} ;

W =Aeroplane gross weight;

S =Aerodynamic reference wing area; and

q =Dynamic pressure.

(b) V_{CLMAX} is determined with:

(1) Engines idling, or, if that resultant thrust causes an appreciable decrease in stall speed, not more than zero thrust at the stall speed;

(2) Propeller pitch controls (if applicable) in the take-off position;

(3) The aeroplane in other respects (such as flaps, landing gear, and ice accretions) in the condition existing in the test or performance standard in which V_{SR} is being used;

(4) The weight used when V_{SR} is being used as a factor to determine compliance with a required performance standard;

(5) The centre of gravity position that results in the highest value of reference stall speed; and

(6) The aeroplane trimmed for straight flight at a speed selected by the applicant, but not less than $1.13 V_{SR}$ and not greater than $1.3 V_{SR}$.

(c) Starting from the stabilised trim condition, apply the longitudinal control to decelerate the aeroplane so that the speed reduction does not exceed 0.5 m/s^2 (one knot per second). (See AMC 25.103(b) and (c)).

(d) In addition to the requirements of subparagraph (a) of this paragraph, when a device that abruptly pushes the nose down at a selected angle of attack (e.g. a stick pusher) is installed, the reference stall speed, V_{SR} , may not be less than $3,7 \text{ km/h}$ (2 kt) or 2%, whichever is greater, above the speed at which the device operates.

[Amdt. No.:25/3]

CS 25.105 Take-off

(a) The take-off speeds prescribed by CS 25.107, the accelerate-stop distance prescribed by CS 25.109, the take-off path prescribed by CS 25.111, the take-off distance and take-off run prescribed by CS 25.113, and the net take-off flight path prescribed by CS 25.115, must be determined in the selected configuration for take-off at each weight, altitude, and ambient temperature within the operational limits selected by the applicant –

(1) In non-icing conditions; and

(2) In icing conditions, if in the configuration of CS 25.121(b) with the “Take-off Ice” accretion defined in Appendix C:

(i) The stall speed at maximum take-off weight exceeds that in non-icing conditions by more than the greater of 5.6 km/h (3 knots) CAS or 3% of V_{SR} ; or

(ii) The degradation of the gradient of climb determined in accordance with CS 25.121(b) is greater than one-half of the applicable actual-to-net take-off flight path gradient reduction defined in CS 25.115(b).

(b) No take-off made to determine the data required by this paragraph may require exceptional piloting skill or alertness.

(c) The take-off data must be based on:

(1) Smooth, dry and wet, hard-surfaced runways; and

(2) At the option of the applicant, grooved or porous friction course wet, hard-surfaced runways.

(d) The take-off data must include, within the established operational limits of the aeroplane, the following operational correction factors:

(1) Not more than 50% of nominal wind components along the take-off path opposite to the direction of take-off, and not less than 150% of nominal wind components along the take-off path in the direction of take-off.

(2) Effective runway gradients.

[Amdt. No.:25/3]

CS 25.107 Take-off speeds

(a) V_1 must be established in relation to V_{EF} as follows:

CS-25 BOOK 1

(1) V_{EF} is the calibrated airspeed at which the critical engine is assumed to fail. V_{EF} must be selected by the applicant, but may not be less than V_{MCG} determined under CS 25.149 (e).

(2) V_1 , in terms of calibrated airspeed, is selected by the applicant; however, V_1 may not be less than V_{EF} plus the speed gained with the critical engine inoperative during the time interval between the instant at which the critical engine is failed, and the instant at which the pilot recognises and reacts to the engine failure, as indicated by the pilot's initiation of the first action (e.g. applying brakes, reducing thrust, deploying speed brakes) to stop the aeroplane during accelerate-stop tests.

(b) V_{2MIN} , in terms of calibrated airspeed, may not be less than –

(1) $1.13 V_{SR}$ for –

(i) Two-engined and three-engined turbo-propeller powered aeroplanes; and

(ii) Turbojet powered aeroplanes without provisions for obtaining a significant reduction in the one-engine-inoperative power-on stall speed;

(2) $1.08 V_{SR}$ for –

(i) Turbo-propeller powered aeroplanes with more than three engines; and

(ii) Turbojet powered aeroplanes with provisions for obtaining a significant reduction in the one-engine-inoperative power-on stall speed: and

(3) 1.10 times V_{MC} established under CS 25.149.

(c) V_2 , in terms of calibrated airspeed, must be selected by the applicant to provide at least the gradient of climb required by CS 25.121(b) but may not be less than –

(1) V_{2MIN} ;

(2) V_R plus the speed increment attained (in accordance with CS 25.111(c)(2)) before reaching a height of 11 m (35 ft) above the take-off surface; and

(3) A speed that provides the manoeuvring capability specified in CS 25.143(h).

(d) V_{MU} is the calibrated airspeed at and above which the aeroplane can safely lift off the

ground, and continue the take-off. V_{MU} speeds must be selected by the applicant throughout the range of thrust-to-weight ratios to be certificated. These speeds may be established from free air data if these data are verified by ground take-off tests. (See AMC 25.107(d).)

(e) V_R , in terms of calibrated air speed, must be selected in accordance with the conditions of sub-paragraphs (1) to (4) of this paragraph:

(1) V_R may not be less than –

(i) V_1 ;

(ii) 105% of V_{MC} ;

(iii) The speed (determined in accordance with CS 25.111(c)(2)) that allows reaching V_2 before reaching a height of 11 m (35 ft) above the take-off surface; or

(iv) A speed that, if the aeroplane is rotated at its maximum practicable rate, will result in a V_{LOF} of not less than–

(A) 110% of V_{MU} in the all-engines-operating condition, and 105% of V_{MU} determined at the thrust-to-weight ratio corresponding to the one-engine-inoperative condition; or

(B) If the V_{MU} attitude is limited by the geometry of the aeroplane (i.e., tail contact with the runway), 108% of V_{MU} in the all-engines-operating condition and 104% of V_{MU} determined at the thrust-to-weight ratio corresponding to the one-engine-inoperative condition. (See AMC 25.107(e)(1)(iv).)

(2) For any given set of conditions (such as weight, configuration, and temperature), a single value of V_R , obtained in accordance with this paragraph, must be used to show compliance with both the one-engine-inoperative and the all-engines-operating take-off provisions.

(3) It must be shown that the one-engine-inoperative take-off distance, using a rotation speed of 9.3 km/h (5 knots) less than V_R established in accordance with sub-paragraphs (e)(1) and (2) of this paragraph, does not exceed the corresponding one-

CS-25 BOOK 1

engine-inoperative take-off distance using the established V_R . The take-off distances must be determined in accordance with CS 25.113(a)(1). (See AMC 25.107(e)(3).)

(4) Reasonably expected variations in service from the established take-off procedures for the operation of the aeroplane (such as over-rotation of the aeroplane and out-of-trim conditions) may not result in unsafe flight characteristics or in marked increases in the scheduled take-off distances established in accordance with CS 25.113(a). (See AMC No. 1 to CS25.107 (e) (4) and AMC No. 2 to CS25.107 (e) (4).)

(f) V_{LOF} is the calibrated airspeed at which the aeroplane first becomes airborne.

(g) V_{FTO} , in terms of calibrated airspeed, must be selected by the applicant to provide at least the gradient of climb required by CS 25.121(c), but may not less than –

(1) $1.18 V_{SR}$; and

(2) A speed that provides the manoeuvring capability specified in CS 25.143(h).

(h) In determining the take-off speeds V_1 , V_R , and V_2 for flight in icing conditions, the values of V_{MCG} , V_{MC} , and V_{MU} determined for non-icing conditions may be used.

[Amdt. No.:25/3]

CS 25.109 Accelerate-stop distance

(a) (See AMC 25.109(a) and (b).) The accelerate-stop distance on a dry runway is the greater of the following distances:

(1) The sum of the distances necessary to –

(i) Accelerate the aeroplane from a standing start with all engines operating to V_{EF} for take-off from a dry runway;

(ii) Allow the aeroplane to accelerate from V_{EF} to the highest speed reached during the rejected take-off, assuming the critical engine fails at V_{EF} and the pilot takes the first action to reject the take-off at the V_1 for take-off from a dry runway; and

(iii) Come to a full stop on a dry runway from the speed reached as prescribed in sub-paragraph (a)(1)(ii) of this paragraph; plus

(iv) A distance equivalent to 2 seconds at the V_1 for take-off from a dry runway.

(2) The sum of the distances necessary to –

(i) Accelerate the aeroplane from a standing start with all engines operating to the highest speed reached during the rejected take-off, assuming the pilot takes the first action to reject the take-off at the V_1 for take-off from a dry runway; and

(ii) With all engines still operating, come to a full stop on a dry runway from the speed reached as prescribed in sub-paragraph (a)(2)(i) of this paragraph; plus

(iii) A distance equivalent to 2 seconds at the V_1 for take-off from a dry runway.

(b) (See AMC 25.109(a) and (b).) The accelerate-stop distance on a wet runway is the greater of the following distances:

(1) The accelerate-stop distance on a dry runway determined in accordance with sub-paragraph (a) of this paragraph; or

(2) The accelerate-stop distance determined in accordance with sub-paragraph (a) of this paragraph, except that the runway is wet and the corresponding wet runway values of V_{EF} and V_1 are used. In determining the wet runway accelerate-stop distance, the stopping force from the wheel brakes may never exceed:

(i) The wheel brakes stopping force determined in meeting the requirements of CS 25.101(i) and sub-paragraph (a) of this paragraph; and

(ii) The force resulting from the wet runway braking coefficient of friction determined in accordance with sub-paragraphs (c) or (d) of this paragraph, as applicable, taking into account the distribution of the normal load between braked and unbraked wheels at the most adverse centre of gravity position approved for take-off.

(c) The wet runway braking coefficient of friction for a smooth wet runway is defined as a curve of friction coefficient versus ground speed and must be computed as follows:

CS-25 BOOK 1

(1) The maximum tyre-to-ground wet runway braking coefficient of friction is defined as (see Figure 1):

where:

Tyre Pressure = maximum aeroplane operating tyre pressure (psi)

$\mu_{t/gMAX}$ = maximum tyre-to-ground braking coefficient

V = aeroplane true ground speed (knots); and

Linear interpolation may be used for tyre pressures other than those listed.

Tyre Pressure (psi)	Maximum Braking Coefficient (tyre-to-ground)
50	$\mu_{t/gMAX} = -0.0350\left(\frac{V}{100}\right)^3 + 0.306\left(\frac{V}{100}\right)^2 - 0.851\left(\frac{V}{100}\right) + 0.883$
100	$\mu_{t/gMAX} = -0.0437\left(\frac{V}{100}\right)^3 + 0.320\left(\frac{V}{100}\right)^2 - 0.805\left(\frac{V}{100}\right) + 0.804$
200	$\mu_{t/gMAX} = -0.0331\left(\frac{V}{100}\right)^3 + 0.252\left(\frac{V}{100}\right)^2 - 0.658\left(\frac{V}{100}\right) + 0.692$
300	$\mu_{t/gMAX} = -0.0401\left(\frac{V}{100}\right)^3 + 0.263\left(\frac{V}{100}\right)^2 - 0.611\left(\frac{V}{100}\right) + 0.614$

Figure 1

(2) (See AMC 25.109(c)(2)) The maximum tyre-to-ground wet runway braking coefficient of friction must be adjusted to take into account the efficiency of the anti-skid system on a wet runway. Anti-skid system operation must be demonstrated by flight testing on a smooth wet runway and its efficiency must be determined. Unless a specific anti-skid system efficiency is determined from a quantitative analysis of the flight testing on a smooth wet runway, the maximum tyre-to-ground wet runway braking coefficient of friction determined in sub-paragraph (c)(1) of this paragraph must be multiplied by the efficiency value associated with the type of anti-skid system installed on the aeroplane:

Type of anti-skid system	Efficiency value
On-off	0.30
Quasi-modulating	0.50
Fully modulating	0.80

(d) At the option of the applicant, a higher wet runway braking coefficient of friction may be used for runway surfaces that have been grooved or treated with a porous friction course

material. For grooved and porous friction course runways,

(1) 70% of the dry runway braking coefficient of friction used to determine the dry runway accelerate-stop distance; or

(2) (See AMC 25.109(d)(2).) The wet runway braking coefficient of friction defined in sub-paragraph (c) of this paragraph, except that a specific anti-skid efficiency, if determined, is appropriate for a grooved or porous friction course wet runway and the maximum tyre-to-ground wet runway braking coefficient of friction is defined as (see Figure 2):

where:

Tyre Pressure = maximum aeroplane operating tyre pressure (psi)

$\mu_{t/gMAX}$ = maximum tyre-to-ground braking coefficient

V = aeroplane true ground speed (knots); and
Linear interpolation may be used for tyre pressures other than those listed.

CS-25 BOOK 1

Tyre Pressure(psi)	Maximum Braking Coefficient (tyre-to-ground)
50	$\mu_{t/gMAX} = 0.147\left(\frac{V}{100}\right)^5 - 1.05\left(\frac{V}{100}\right)^4 + 2.673\left(\frac{V}{100}\right)^3 - 2.683\left(\frac{V}{100}\right)^2 + 0.403\left(\frac{V}{100}\right) + 0.859$
100	$\mu_{t/gMAX} = 0.1106\left(\frac{V}{100}\right)^5 - 0.813\left(\frac{V}{100}\right)^4 + 2.13\left(\frac{V}{100}\right)^3 - 2.20\left(\frac{V}{100}\right)^2 + 0.317\left(\frac{V}{100}\right) + 0.807$
200	$\mu_{t/gMAX} = 0.0498\left(\frac{V}{100}\right)^5 - 0.398\left(\frac{V}{100}\right)^4 + 1.14\left(\frac{V}{100}\right)^3 - 1.285\left(\frac{V}{100}\right)^2 + 0.140\left(\frac{V}{100}\right) + 0.701$
300	$\mu_{t/gMAX} = 0.0314\left(\frac{V}{100}\right)^5 - 0.247\left(\frac{V}{100}\right)^4 + 0.703\left(\frac{V}{100}\right)^3 - 0.779\left(\frac{V}{100}\right)^2 - 0.00954\left(\frac{V}{100}\right) + 0.614$

Figure 2

(e) Except as provided in sub-paragraph (f)(1) of this paragraph, means other than wheel brakes may be used to determine the accelerate-stop distance if that means –

(1) Is safe and reliable;

(2) Is used so that consistent results can be expected under normal operating conditions; and

(3) Is such that exceptional skill is not required to control the aeroplane.

(f) The effects of available reverse thrust –

(1) Must not be included as an additional means of deceleration when determining the accelerate-stop distance on a dry runway; and

(2) May be included as an additional means of deceleration using recommended reverse thrust procedures when determining the accelerate-stop distance on a wet runway, provided the requirements of sub-paragraph (e) of this paragraph are met. (See AMC 25.109(f).)

(g) The landing gear must remain extended throughout the accelerate-stop distance.

(h) If the accelerate-stop distance includes a stopway with surface characteristics substantially different from those of the runway, the take-off data must include operational correction factors for the accelerate-stop distance. The correction factors must account for the particular surface characteristics of the stopway and the variations in these characteristics with seasonal weather conditions (such as temperature, rain, snow and ice) within the established operational limits.

(i) A flight test demonstration of the maximum brake kinetic energy accelerate-stop distance must be conducted with not more than 10% of the allowable brake wear range remaining on each of the aeroplane wheel brakes.

CS 25.111 Take-off path (See AMC 25.111)

(a) The take-off path extends from a standing start to a point in the take-off at which the aeroplane is 457 m (1500 ft) above the take-off surface, or at which the transition from the take-off to the en-route configuration is completed and V_{FTO} is reached, whichever point is higher. In addition –

(1) The take-off path must be based on the procedures prescribed in CS 25.101(f);

(2) The aeroplane must be accelerated on the ground to V_{EF} , at which point the critical engine must be made inoperative and remain inoperative for the rest of the take-off; and

(3) After reaching V_{EF} , the aeroplane must be accelerated to V_2 .

(b) During the acceleration to speed V_2 , the nose gear may be raised off the ground at a speed not less than V_R . However, landing gear retraction may not be begun until the aeroplane is airborne. (See AMC 25.111(b).)

(c) During the take-off path determination in accordance with sub-paragraphs (a) and (b) of this paragraph –

(1) The slope of the airborne part of the take-off path must be positive at each point;

(2) The aeroplane must reach V_2 before it is 11 m (35 ft) above the take-off surface and must continue at a speed as close as practical to, but not less than V_2 until it is 122 m (400 ft) above the take-off surface;

(3) At each point along the take-off path, starting at the point at which the aeroplane reaches 122 m (400 ft) above the take-off surface, the available gradient of climb may not be less than –

CS-25 BOOK 1

(i) 1.2% for two-engined aeroplanes;

(ii) 1.5% for three-engined aeroplanes; and

(iii) 1.7% for four-engined aeroplanes,

(4) The aeroplane configuration may not be changed, except for gear retraction and automatic propeller feathering, and no change in power or thrust that requires action by the pilot may be made, until the aeroplane is 122 m (400 ft) above the take-off surface; and

(5) If CS 25.105(a)(2) requires the take-off path to be determined for flight in icing conditions, the airborne part of the take-off must be based on the aeroplane drag:

(i) With the "Take-off Ice" accretion defined in Appendix C, from a height of 11 m (35 ft) above the take-off surface up to the point where the aeroplane is 122 m (400 ft) above the take-off surface; and

(ii) With the "Final Take-off Ice" accretion defined in Appendix C, from the point where the aeroplane is 122 m (400 ft) above the take-off surface to the end of the take-off path.

(d) The take-off path must be determined by a continuous demonstrated take-off or by synthesis from segments. If the take-off path is determined by the segmental method –

(1) The segments must be clearly defined and must relate to the distinct changes in the configuration, power or thrust, and speed;

(2) The weight of the aeroplane, the configuration, and the power or thrust must be constant throughout each segment and must correspond to the most critical condition prevailing in the segment;

(3) The flight path must be based on the aeroplane's performance without ground effect; and

(4) The take-off path data must be checked by continuous demonstrated take-offs up to the point at which the aeroplane is out of ground effect and its speed is stabilised, to ensure that the path is conservative to the continuous path.

The aeroplane is considered to be out of the ground effect when it reaches a height equal to its wing span.

(e) Not required for CS–25.

[Amdt. No.:25/3]

CS 25.113 Take-off distance and take-off run

(a) Take-off distance on a dry runway is the greater of –

(1) The horizontal distance along the take-off path from the start of the take-off to the point at which the aeroplane is 11 m (35 ft) above the take-off surface, determined under CS 25.111 for a dry runway; or

(2) 115% of the horizontal distance along the take-off path, with all engines operating, from the start of the take-off to the point at which the aeroplane is 11 m (35 ft) above the take-off surface, as determined by a procedure consistent with CS 25.111. (See AMC 25.113(a)(2), (b)(2) and (c)(2).)

(b) Take-off distance on a wet runway is the greater of –

(1) The take-off distance on a dry runway determined in accordance with subparagraph (a) of this paragraph; or

(2) The horizontal distance along the take-off path from the start of the take-off to the point at which the aeroplane is 4,6 m (15 ft) above the take-off surface, achieved in a manner consistent with the achievement of V_2 before reaching 11 m (35 ft) above the take-off surface, determined under CS 25.111 for a wet runway. (See AMC 25.113(a)(2), (b)(2) and (c)(2).)

(c) If the take-off distance does not include a clearway, the take-off run is equal to the take-off distance. If the take-off distance includes a clearway –

(1) The take-off run on a dry runway is the greater of –

(i) The horizontal distance along the take-off path from the start of the take-off to a point equidistant between the point at which V_{LOF} is reached and the point at which the aeroplane is 11 m (35 ft) above the take-off surface, as determined under CS 25.111 for a dry runway; or

(ii) 115% of the horizontal distance along the take-off path, with all

CS-25 BOOK 1

engines operating, from the start of the take-off to a point equidistant between the point at which V_{LOF} is reached and the point at which the aeroplane is 11 m (35 ft) above the take-off surface, determined by a procedure consistent with CS 25.111. (See AMC 25.113(a)(2), (b)(2) and (c)(2).)

(2) The take-off run on a wet runway is the greater of –

(i) The horizontal distance along the take-off path from the start of the take-off to the point at which the aeroplane is 4,6 m (15 ft) above the take-off surface, achieved in a manner consistent with the achievement of V_2 before reaching 11 m (35 ft) above the take-off surface, determined under CS 25.111 for a wet runway; or

(ii) 115% of the horizontal distance along the take-off path, with all engines operating, from the start of the take-off to a point equidistant between the point at which V_{LOF} is reached and the point at which the aeroplane is 11 m (35 ft) above the take-off surface, determined by a procedure consistent with CS 25.111. (See AMC 25.113(a)(2).)

[Amdt. No.: 25/9]

CS 25.115 Take-off flight path

(a) The take-off flight path must be considered to begin 11 m (35 ft) above the take-off surface at the end of the take-off distance determined in accordance with CS 25.113 (a) or (b) as appropriate for the runway surface condition.

(b) The net take-off flight path data must be determined so that they represent the actual take-off flight paths (determined in accordance with CS25.111 and with sub-paragraph (a) of this paragraph) reduced at each point by a gradient of climb equal to –

- (1) 0.8% for two-engined aeroplanes;
- (2) 0.9% for three-engined aeroplanes; and
- (3) 1.0% for four-engined aeroplanes.

(c) The prescribed reduction in climb gradient may be applied as an equivalent reduction in acceleration along that part of the take-off flight path at which the aeroplane is accelerated in level flight.

CS 25.117 Climb: general

Compliance with the requirements of CS 25.119 and 25.121 must be shown at each weight, altitude, and ambient temperature within the operational limits established for the aeroplane and with the most unfavourable centre of gravity for each configuration.

CS 25.119 Landing climb: all-engines-operating

In the landing configuration, the steady gradient of climb may not be less than 3.2%, with the engines at the power or thrust that is available 8 seconds after initiation of movement of the power or thrust controls from the minimum flight idle to the go-around power or thrust setting (see AMC 25.119); and

(a) In non-icing conditions, with a climb speed of V_{REF} determined in accordance with CS 25.125(b)(2)(i); and

(b) In icing conditions with the “Landing Ice” accretion defined in Appendix C, and with a climb speed of V_{REF} determined in accordance with CS 25.125(b)(2)(ii).

[Amdt. No.:25/3]

CS 25.121 Climb: one-engine-inoperative (See AMC 25.121)

(a) *Take-off; landing gear extended.* (See AMC 25.121(a).) In the critical take-off configuration existing along the flight path (between the points at which the aeroplane reaches V_{LOF} and at which the landing gear is fully retracted) and in the configuration used in CS 25.111 but without ground effect, the steady gradient of climb must be positive for two-engined aeroplanes, and not less than 0.3% for three-engined aeroplanes or 0.5% for four-engined aeroplanes, at V_{LOF} and with –

(1) The critical engine inoperative and the remaining engines at the power or thrust available when retraction of the landing gear is begun in accordance with CS 25.111 unless there is a more critical power operating condition existing later along the flight path but before the point at which the landing gear is fully retracted (see AMC 25.121(a)(1)); and

(2) The weight equal to the weight existing when retraction of the landing gear is begun determined under CS 25.111.

CS-25 BOOK 1

(b) *Take-off; landing gear retracted.* In the take-off configuration existing at the point of the flight path at which the landing gear is fully retracted, and in the configuration used in CS 25.111 but without ground effect,

(1) The steady gradient of climb may not be less than 2.4% for two-engined aeroplanes, 2.7% for three-engined aeroplanes and 3.0% for four-engined aeroplanes, at V_2 with –

(i) The critical engine inoperative, the remaining engines at the take-off power or thrust available at the time the landing gear is fully retracted, determined under CS 25.111, unless there is a more critical power operating condition existing later along the flight path but before the point where the aeroplane reaches a height of 122 m (400 ft) above the take-off surface (see AMC 25.121(b)(1)(i)); and

(ii) The weight equal to the weight existing when the aeroplane's landing gear is fully retracted, determined under CS 25.111.

(2) The requirements of subparagraph (b)(1) of this paragraph must be met:

(i) In non-icing conditions; and

(ii) In icing conditions with the "Take-off Ice" accretion defined in Appendix C, if in the configuration of CS 25.121(b) with the "Take-off Ice" accretion:

(A) The stall speed at maximum take-off weight exceeds that in non-icing conditions by more than the greater of 5.6 km/h (3 knots) CAS or 3% of V_{SR} ; or

(B) The degradation of the gradient of climb determined in accordance with CS 25.121(b) is greater than one-half of the applicable actual-to-net take-off flight path gradient reduction defined in CS 25.115(b).

(c) *Final take-off.* In the en-route configuration at the end of the take-off path determined in accordance with CS 25.111:

(1) The steady gradient of climb may not be less than 1.2% for two-engined aeroplanes, 1.5% for three-engined

aeroplanes, and 1.7% for four-engined aeroplanes, at V_{FTO} and with –

(i) The critical engine inoperative and the remaining engines at the available maximum continuous power or thrust; and

(ii) The weight equal to the weight existing at the end of the take-off path, determined under CS 25.111.

(2) The requirements of subparagraph (c)(1) of this paragraph must be met:

(i) In non-icing conditions; and

(ii) In icing conditions with the "Final Take-off Ice" accretion defined in Appendix C, if in the configuration of CS 25.121(b) with the "Take-off Ice" accretion:

(A) The stall speed at maximum take-off weight exceeds that in non-icing conditions by more than the greater of 5.6 km/h (3 knots) CAS or 3% of V_{SR} ; or

(B) The degradation of the gradient of climb determined in accordance with CS 25.121(b) is greater than one-half of the applicable actual-to-net take-off flight path gradient reduction defined in CS 25.115(b).

(d) *Approach.* In a configuration corresponding to the normal all-engines-operating procedure in which V_{SR} for this configuration does not exceed 110% of the V_{SR} for the related all-engines-operating landing configuration:

(1) The steady gradient of climb may not be less than 2.1% for two-engined aeroplanes, 2.4% for three-engined aeroplanes and 2.7% for four-engined aeroplanes, with –

(i) The critical engine inoperative, the remaining engines at the go-around power or thrust setting;

(ii) The maximum landing weight;

(iii) A climb speed established in connection with normal landing procedures, but not more than 1.4 VSR; and

(iv) Landing gear retracted.

CS-25 BOOK 1

(2) The requirements of sub-paragraph (d)(1) of this paragraph must be met:

- (i) In non-icing conditions; and
- (ii) In icing conditions with the Approach Ice accretion defined in Appendix C. The climb speed selected for non-icing conditions may be used if the climb speed for icing conditions, computed in accordance with sub-paragraph (d)(1)(iii) of this paragraph, does not exceed that for non-icing conditions by more than the greater of 5.6 km/h (3 knots) CAS or 3%.

[Amdt. No.:25/3]

CS 25.123 En-route flight paths (See AMC 25.123)

(a) For the en-route configuration, the flight paths prescribed in sub-paragraphs (b) and (c) of this paragraph must be determined at each weight, altitude, and ambient temperature, within the operating limits established for the aeroplane. The variation of weight along the flight path, accounting for the progressive consumption of fuel and oil by the operating engines, may be included in the computation. The flight paths must be determined at a selected speed not less than V_{FTO} , with –

- (1) The most unfavourable centre of gravity;
- (2) The critical engines inoperative;
- (3) The remaining engines at the available maximum continuous power or thrust; and
- (4) The means for controlling the engine-cooling air supply in the position that provides adequate cooling in the hot-day condition.

(b) The one-engine-inoperative net flight path data must represent the actual climb performance diminished by a gradient of climb of 1.1% for two-engined aeroplanes, 1.4% for three-engined aeroplanes, and 1.6% for four-engined aeroplanes.

- (1) In non-icing conditions; and
- (2) In icing conditions with the “En-route Ice” accretion defined in Appendix C, if:
 - (i) A speed of $1.18V_{SR}$ with the “En-route Ice” accretion exceeds the en-route speed selected in non-icing conditions by more than the greater of

5.6 km/h (3 knots) CAS or 3% of V_{SR} , or

(ii) The degradation of the gradient of climb is greater than one-half of the applicable actual-to-net flight path reduction defined in sub-paragraph (b) of this paragraph.

(c) For three- or four-engined aeroplanes, the two-engine-inoperative net flight path data must represent the actual climb performance diminished by a gradient climb of 0.3% for three-engined aeroplanes and 0.5% for four-engined aeroplanes.

[Amdt. No.:25/3]

CS 25.125 Landing

(a) The horizontal distance necessary to land and to come to a complete stop from a point 15 m (50 ft) above the landing surface must be determined (for standard temperatures, at each weight, altitude and wind within the operational limits established by the applicant for the aeroplane):

(1) In non-icing conditions; and

(2) In icing conditions with the “Landing Ice” accretion defined in Appendix C if V_{REF} for icing conditions exceeds V_{REF} for non-icing conditions by more than 9.3 km/h (5 knots) CAS at the maximum landing weight.

(b) In determining the distance in (a):

(1) The aeroplane must be in the landing configuration.

(2) A stabilised approach, with a calibrated airspeed of not less than V_{REF} , must be maintained down to the 15 m (50 ft) height.

(i) In non-icing conditions, V_{REF} may not be less than:

(A) $1.23 V_{SR0}$;

(B) V_{MCL} established under CS25.149(f); and

(C) A speed that provides the manoeuvring capability specified in CS25.143(h).

(ii) In icing conditions, V_{REF} may not be less than:

(A) The speed determined in sub-paragraph (b)(2)(i) of this paragraph;

(B) $1.23 V_{SR0}$ with the “Landing Ice” accretion defined in

CS-25 BOOK 1

Appendix C if that speed exceeds V_{REF} for non-icing conditions by more than 9.3 km/h (5 knots) CAS; and

(C) A speed that provides the manoeuvring capability specified in CS 25.143(h) with the landing ice accretion defined in appendix C.

(3) Changes in configuration, power or thrust, and speed, must be made in accordance with the established procedures for service operation. (See AMC 25.125(b)(3).)

(4) The landing must be made without excessive vertical acceleration, tendency to bounce, nose over or ground loop.

(5) The landings may not require exceptional piloting skill or alertness.

(c) The landing distance must be determined on a level, smooth, dry, hard-surfaced runway. (See AMC 25.125(c).) In addition –

(1) The pressures on the wheel braking systems may not exceed those specified by the brake manufacturer;

(2) The brakes may not be used so as to cause excessive wear of brakes or tyres (see AMC 25.125(c)(2)); and

(3) Means other than wheel brakes may be used if that means –

(i) Is safe and reliable;

(ii) Is used so that consistent results can be expected in service; and

(iii) Is such that exceptional skill is not required to control the aeroplane.

(d) *Reserved.*

(e) *Reserved.*

(f) The landing distance data must include correction factors for not more than 50% of the nominal wind components along the landing path opposite to the direction of landing, and not less than 150% of the nominal wind components along the landing path in the direction of landing.

(g) If any device is used that depends on the operation of any engine, and if the landing distance would be noticeably increased when a landing is made with that engine inoperative, the landing distance must be determined with that engine inoperative unless the use of engine inoperative means will result in a landing

distance not more than that with each engine operating.

[Amdt. No.:25/3]

CONTROLLABILITY AND MANOEUVRABILITY

CS 25.143 General

(a) (See AMC 25.143(a).) The aeroplane must be safely controllable and manoeuvrable during –

(1) Take-off;

(2) Climb;

(3) Level flight;

(4) Descent; and

(5) Landing.

(b) (See AMC 25.143(b).) It must be possible to make a smooth transition from one flight condition to any other flight condition without exceptional piloting skill, alertness, or strength, and without danger of exceeding the aeroplane limit-load factor under any probable operating conditions, including –

(1) The sudden failure of the critical engine. (See AMC 25.143(b)(1).)

(2) For aeroplanes with three or more engines, the sudden failure of the second critical engine when the aeroplane is in the en-route, approach, or landing configuration and is trimmed with the critical engine inoperative; and

(3) Configuration changes, including deployment or retraction of deceleration devices.

(c) The aeroplane must be shown to be safely controllable and manoeuvrable with the critical ice accretion appropriate to the phase of flight defined in appendix C, and with the critical engine inoperative and its propeller (if applicable) in the minimum drag position:

(1) At the minimum V_2 for take-off;

(2) During an approach and go-around; and

(3) During an approach and landing.

(d) The following table prescribes, for conventional wheel type controls, the maximum control forces permitted during the testing required by sub-paragraphs (a) through (c) of this paragraph. (See AMC 25.143(d)):

CS-25 BOOK 1

Force, in newton (pounds), applied to the control wheel or rudder pedals	Pitch	Roll	Yaw
For short term application for pitch and roll control – two hands available for control	334 (75)	222 (50)	–
For short term application for pitch and roll control – one hand available for control	222 (50)	111 (25)	–
For short term application for yaw control	–	–	667 (150)
For long term application	44,5 (10)	22 (5)	89 (20)

(e) Approved operating procedures or conventional operating practices must be followed when demonstrating compliance with the control force limitations for short term application that are prescribed in sub-paragraph (d) of this paragraph. The aeroplane must be in trim, or as near to being in trim as practical, in the immediately preceding steady flight condition. For the take-off condition, the aeroplane must be trimmed according to the approved operating procedures.

(f) When demonstrating compliance with the control force limitations for long term application that are prescribed in sub-paragraph (d) of this paragraph, the aeroplane must be in trim, or as near to being in trim as practical.

(g) When manoeuvring at a constant airspeed or Mach number (up to V_{FC}/M_{FC}), the stick forces and the gradient of the stick force versus manoeuvring load factor must lie within satisfactory limits. The stick forces must not be so great as to make excessive demands on the pilot's strength when manoeuvring the aeroplane (see AMC No. 1 to CS 25.143 (g)), and must not be so low that the aeroplane can easily be overstressed inadvertently. Changes of gradient that occur with changes of load factor must not cause undue difficulty in maintaining control of the aeroplane, and local gradients must not be so low as to result in a danger of over-controlling. (See AMC No. 2 to CS 25.143 (g)).

(h) (See AMC 25.143(h)). The manoeuvring capabilities in a constant speed coordinated turn at forward centre of gravity, as specified in the following table, must be free of stall warning or other characteristics that might interfere with normal manoeuvring.

CS-25 BOOK 1

CONFIGURATION	SPEED	MANOEUVRING BANK ANGLE IN A COORDINATED TURN	THRUST/POWER SETTING
TAKE-OFF	V_2	30°	ASYMMETRIC WAT-LIMITED ⁽¹⁾
TAKE-OFF	$V_2 + xx$ ⁽²⁾	40°	ALL ENGINES OPERATING CLIMB ⁽³⁾
EN-ROUTE	V_{FTO}	40°	ASYMMETRIC WAT-LIMITED ⁽¹⁾
LANDING	V_{REF}	40°	SYMMETRIC FOR -3° FLIGHT PATH ANGLE

⁽¹⁾ A combination of weight, altitude and temperature (WAT) such that the thrust or power setting produces the minimum climb gradient specified in CS 25.121 for the flight condition.

⁽²⁾ Airspeed approved for all-engines-operating initial climb.

⁽³⁾ That thrust or power setting which, in the event of failure of the critical engine and without any crew action to adjust the thrust or power of the remaining engines, would result in the thrust or power specified for the take-off condition at V_2 , or any lesser thrust or power setting that is used for all-engines-operating initial climb procedures.

(i) When demonstrating compliance with CS 25.143 in icing conditions -

(1) Controllability must be demonstrated with the ice accretion described in Appendix C, that is most critical for the particular flight phase.

(2) It must be shown that a push force is required throughout a pushover manoeuvre down to a zero g load factor, or the lowest load factor obtainable if limited by elevator power or other design characteristic of the flight control system. It must be possible to promptly recover from the manoeuvre without exceeding a pull control force of 222 N. (50 lbf); and

(3) Any changes in force that the pilot must apply to the pitch control to maintain speed with increasing sideslip angle must be steadily increasing with no force reversals, unless the change in control force is gradual and easily controllable by the pilot without using exceptional piloting skill, alertness, or strength.

(j) For flight in icing conditions before the ice protection system has been activated and is performing its intended function, it must be demonstrated in flight with the ice accretion defined in appendix C, part II(e) that:

(1) The aeroplane is controllable in a pull-up manoeuvre up to 1.5 g load factor; and

(2) There is no pitch control force reversal during a pushover manoeuvre down to 0.5 g load factor.

(k) Side stick controllers

In lieu of the maximum control forces provided in CS 25.143(d) for pitch and roll, and in lieu of specific pitch force requirements of CS 25.145(b) and CS 25.175(d), it must be shown that the temporary and maximum prolonged force levels for side stick controllers are suitable for all expected operating conditions and configurations, whether normal or non-normal.

It must be shown by flight tests that turbulence does not produce unsuitable pilot-in-the-loop control problems when considering precision path control/tasks.

(l) Electronic flight control systems

For electronic flight control systems (EFCS) which embody a normal load factor limiting system and in the absence of aerodynamic limitation (lift capability at maximum angle of attack),

(1) The positive limiting load factor must not be less than:

(i) 2.5 g with the EFCS functioning in its normal mode and with the high-lift devices retracted up to V_{MO}/M_{MO} . The positive limiting load factor may be gradually reduced down to 2.25 g above V_{MO}/M_{MO} ;

(ii) 2.0 g with the EFCS functioning in its normal mode and with the high-lift devices extended;

(2) The negative limiting load factor must be equal to or more negative than:

CS-25 BOOK 1

(i) -1.0 g with the EFCS functioning in its normal mode and with the high-lift devices retracted;

(ii) 0 g with the EFCS functioning in its normal mode and with the high-lift devices extended.

Maximum reachable positive load factor wings level may be limited by flight control system characteristics or flight envelope protections (other than load factor limitation), provided that:

- the required values are readily achievable in turn, and
- wings level pitch up responsiveness is satisfactory.

Maximum reachable negative load factor may be limited by flight control system characteristics or flight envelope protections (other than load factor limitation), provided that:

- pitch down responsiveness is satisfactory, and
- from level flight, 0 g is readily achievable, or, at least, a trajectory change of 5 degrees per second is readily achievable at operational speeds (from V_{LS} to Max speed – 10 kt. V_{LS} is the lowest speed that the crew may fly with auto thrust or auto pilot engaged. Max speed – 10 kt is intended to cover typical margin from V_{MO}/M_{MO} to cruise speeds and typical margin from V_{FE} to standard speed in high-lift configurations.

Compliance demonstrations with the above requirements may be performed without ice accretion on the airframe.

[Amdt No:25/3]

[Amdt No:25/7]

[Amdt No: 25/13]

CS 25.145 Longitudinal control

(a) (See AMC 25.145(a).) It must be possible at any point between the trim speed prescribed in CS 25.103(b)(6) and stall identification (as defined in CS 25.201(d)), to pitch the nose downward so that the acceleration to this selected trim speed is prompt with –

(1) The aeroplane trimmed at the trim speed prescribed in CS 25.103(b)(6);

(2) The landing gear extended;

(3) The wing-flaps (i) retracted and (ii) extended; and

(4) Power (i) off and (ii) at maximum continuous power on the engines.

(b) With the landing gear extended, no change in trim control, or exertion of more than 222 N (50 pounds) control force (representative of the maximum short term force that can be applied readily by one hand) may be required for the following manoeuvres:

(1) With power off, wing-flaps retracted, and the aeroplane trimmed at $1.3 V_{SR1}$, extend the wing-flaps as rapidly as possible while maintaining the airspeed at approximately 30% above the reference stall speed existing at each instant throughout the manoeuvre. (See AMC 25.145(b)(1), (b)(2) and (b)(3).)

(2) Repeat sub-paragraph (b)(1) of this paragraph except initially extend the wing-flaps and then retract them as rapidly as possible. (See AMC 25.145(b)(2) and AMC 25.145(b)(1), (b)(2) and (b)(3).)

(3) Repeat sub-paragraph (b)(2) of this paragraph except at the go-around power or thrust setting. (See AMC 25.145(b)(1), (b)(2) and (b)(3).)

(4) With power off, wing-flaps retracted and the aeroplane trimmed at $1.3 V_{SR1}$, rapidly set go-around power or thrust while maintaining the same airspeed.

(5) Repeat sub-paragraph (b)(4) of this paragraph except with wing-flaps extended.

(6) With power off, wing-flaps extended and the aeroplane trimmed at $1.3 V_{SR1}$ obtain and maintain airspeeds between V_{SW} and either $1.6 V_{SR1}$, or V_{FE} , whichever is the lower.

(c) It must be possible, without exceptional piloting skill, to prevent loss of altitude when complete retraction of the high lift devices from any position is begun during steady, straight, level flight at $1.08 V_{SR1}$, for propeller powered aeroplanes or $1.13 V_{SR1}$, for turbo-jet powered aeroplanes, with –

(1) Simultaneous movement of the power or thrust controls to the go-around power or thrust setting;

(2) The landing gear extended; and

(3) The critical combinations of landing weights and altitudes.

(d) Revoked

CS-25 BOOK 1

(e) (See AMC 25.145(e).) If gated high-lift device control positions are provided, sub-paragraph (c) of this paragraph applies to retractions of the high-lift devices from any position from the maximum landing position to the first gated position, between gated positions, and from the last gated position to the fully retracted position. The requirements of sub-paragraph (c) of this paragraph also apply to retractions from each approved landing position to the control position(s) associated with the high-lift device configuration(s) used to establish the go-around procedure(s) from that landing position. In addition, the first gated control position from the maximum landing position must correspond with a configuration of the high-lift devices used to establish a go-around procedure from a landing configuration. Each gated control position must require a separate and distinct motion of the control to pass through the gated position and must have features to prevent inadvertent movement of the control through the gated position. It must only be possible to make this separate and distinct motion once the control has reached the gated position.

CS 25.147 Directional and lateral control

(a) *Directional control; general.* (See AMC 25.147(a).) It must be possible, with the wings level, to yaw into the operative engine and to safely make a reasonably sudden change in heading of up to 15° in the direction of the critical inoperative engine. This must be shown at $1.3 V_{SR1}$, for heading changes up to 15° (except that the heading change at which the rudder pedal force is 667 N (150 lbf) need not be exceeded), and with –

- (1) The critical engine inoperative and its propeller in the minimum drag position;
- (2) The power required for level flight at $1.3 V_{SR1}$, but not more than maximum continuous power;
- (3) The most unfavourable centre of gravity;
- (4) Landing gear retracted;
- (5) Wing-flaps in the approach position; and
- (6) Maximum landing weight.

(b) *Directional control; aeroplanes with four or more engines.* Aeroplanes with four or more engines must meet the requirements of sub-paragraph (a) of this paragraph except that –

(1) The two critical engines must be inoperative with their propellers (if applicable) in the minimum drag position;

(2) Reserved; and

(3) The wing-flaps must be in the most favourable climb position.

(c) *Lateral control; general.* It must be possible to make 20° banked turns, with and against the inoperative engine, from steady flight at a speed equal to $1.3 V_{SR1}$, with –

(1) The critical engine inoperative and its propeller (if applicable) in the minimum drag position;

(2) The remaining engines at maximum continuous power;

(3) The most unfavourable centre of gravity;

(4) Landing gear both retracted and extended;

(5) Wing-flaps in the most favourable climb position; and

(6) Maximum take-off weight;

(d) *Lateral control; roll capability.* With the critical engine inoperative, roll response must allow normal manoeuvres. Lateral control must be sufficient, at the speeds likely to be used with one engine inoperative, to provide a roll rate necessary for safety without excessive control forces or travel. (See AMC 25.147(d).)

(e) *Lateral control; aeroplanes with four or more engines.* Aeroplanes with four or more engines must be able to make 20° banked turns, with and against the inoperative engines, from steady flight at a speed equal to $1.3 V_{SR1}$, with maximum continuous power, and with the aeroplane in the configuration prescribed by sub-paragraph (b) of this paragraph.

(f) *Lateral control; all engines operating.* With the engines operating, roll response must allow normal manoeuvres (such as recovery from upsets produced by gusts and the initiation of evasive manoeuvres). There must be enough excess lateral control in sideslips (up to sideslip angles that might be required in normal operation), to allow a limited amount of manoeuvring and to correct for gusts. Lateral control must be enough at any speed up to V_{FC}/M_{FC} to provide a peak roll rate necessary for safety, without excessive control forces or travel. (See AMC 25.147(f).)

CS-25 BOOK 1

CS 25.149 Minimum control speed
(See AMC 25.149)

(a) In establishing the minimum control speeds required by this paragraph, the method used to simulate critical engine failure must represent the most critical mode of powerplant failure with respect to controllability expected in service.

(b) V_{MC} is the calibrated airspeed, at which, when the critical engine is suddenly made inoperative, it is possible to maintain control of the aeroplane with that engine still inoperative, and maintain straight flight with an angle of bank of not more than 5°.

(c) V_{MC} may not exceed 1.13 V_{SR} with –

(1) Maximum available take-off power or thrust on the engines;

(2) The most unfavourable centre of gravity;

(3) The aeroplane trimmed for take-off;

(4) The maximum sea-level take-off weight (or any lesser weight necessary to show V_{MC});

(5) The aeroplane in the most critical take-off configuration existing along the flight path after the aeroplane becomes airborne, except with the landing gear retracted;

(6) The aeroplane airborne and the ground effect negligible; and

(7) If applicable, the propeller of the inoperative engine –

(i) Windmilling;

(ii) In the most probable position for the specific design of the propeller control; or

(iii) Feathered, if the aeroplane has an automatic feathering device acceptable for showing compliance with the climb requirements of CS 25.121.

(d) The rudder forces required to maintain control at V_{MC} may not exceed 667 N (150 lbf) nor may it be necessary to reduce power or thrust of the operative engines. During recovery, the aeroplane may not assume any dangerous attitude or require exceptional piloting skill, alertness, or strength to prevent a heading change of more than 20°.

(e) V_{MCG} , the minimum control speed on the ground, is the calibrated airspeed during the take-off run at which, when the critical engine is

suddenly made inoperative, it is possible to maintain control of the aeroplane using the rudder control alone (without the use of nose-wheel steering), as limited by 667 N of force (150 lbf), and the lateral control to the extent of keeping the wings level to enable the take-off to be safely continued using normal piloting skill. In the determination of V_{MCG} , assuming that the path of the aeroplane accelerating with all engines operating is along the centreline of the runway, its path from the point at which the critical engine is made inoperative to the point at which recovery to a direction parallel to the centreline is completed, may not deviate more than 9.1 m (30 ft) laterally from the centreline at any point. V_{MCG} must be established, with –

(1) The aeroplane in each take-off configuration or, at the option of the applicant, in the most critical take-off configuration;

(2) Maximum available take-off power or thrust on the operating engines;

(3) The most unfavourable centre of gravity;

The aeroplane trimmed for take-off; and

(5) The most unfavourable weight in the range of take-off weights. (See AMC 25.149(e).)

(f) (See AMC 25.149 (f)) V_{MCL} , the minimum control speed during approach and landing with all engines operating, is the calibrated airspeed at which, when the critical engine is suddenly made inoperative, it is possible to maintain control of the aeroplane with that engine still inoperative, and maintain straight flight with an angle of bank of not more than 5°. V_{MCL} must be established with –

(1) The aeroplane in the most critical configuration (or, at the option of the applicant, each configuration) for approach and landing with all engines operating;

(2) The most unfavourable centre of gravity;

(3) The aeroplane trimmed for approach with all engines operating;

(4) The most unfavourable weight, or, at the option of the applicant, as a function of weight;

(5) For propeller aeroplanes, the propeller of the inoperative engine in the position it achieves without pilot action, assuming the engine fails while at the power or thrust necessary to maintain a 3 degree approach path angle; and

CS-25 BOOK 1

(6) Go-around power or thrust setting on the operating engine(s).

(g) (See AMC 25.149(g)) For aeroplanes with three or more engines, V_{MCL-2} , the minimum control speed during approach and landing with one critical engine inoperative, is the calibrated airspeed at which, when a second critical engine is suddenly made inoperative, it is possible to maintain control of the aeroplane with both engines still inoperative, and maintain straight flight with an angle of bank of not more than 5° . V_{MCL-2} must be established with –

(1) The aeroplane in the most critical configuration (or, at the option of the applicant, each configuration) for approach and landing with one critical engine inoperative;

(2) The most unfavourable centre of gravity;

(3) The aeroplane trimmed for approach with one critical engine inoperative;

(4) The most unfavourable weight, or, at the option of the applicant, as a function of weight;

(5) For propeller aeroplanes, the propeller of the more critical engine in the position it achieves without pilot action, assuming the engine fails while at the power or thrust necessary to maintain a 3 degree approach path angle, and the propeller of the other inoperative engine feathered;

(6) The power or thrust on the operating engine(s) necessary to maintain an approach path angle of 3° when one critical engine is inoperative; and

(7) The power or thrust on the operating engine(s) rapidly changed, immediately after the second critical engine is made inoperative, from the power or thrust prescribed in sub-paragraph (g)(6) of this paragraph to –

(i) Minimum power or thrust; and

(ii) Go-around power or thrust setting.

(h) In demonstrations of V_{MCL} and V_{MCL-2} –

(1) The rudder force may not exceed 667 N (150 lbf);

(2) The aeroplane may not exhibit hazardous flight characteristics or require exceptional piloting skill, alertness or strength;

(3) Lateral control must be sufficient to roll the aeroplane, from an initial condition of steady straight flight, through an angle of 20° in the direction necessary to initiate a turn away from the inoperative engine(s), in not more than 5 seconds (see AMC 25.149(h)(3)); and

(4) For propeller aeroplanes, hazardous flight characteristics must not be exhibited due to any propeller position achieved when the engine fails or during any likely subsequent movements of the engine or propeller controls (see AMC 25.149 (h)(4)).

TRIM

CS 25.161 Trim

(a) *General.* Each aeroplane must meet the trim requirements of this paragraph after being trimmed, and without further pressure upon, or movement of, either the primary controls or their corresponding trim controls by the pilot or the automatic pilot.

(b) *Lateral and directional trim.* The aeroplane must maintain lateral and directional trim with the most adverse lateral displacement of the centre of gravity within the relevant operating limitations, during normally expected conditions of operation (including operation at any speed from $1.3 V_{SR1}$, to V_{MO}/M_{MO}).

(c) *Longitudinal trim.* The aeroplane must maintain longitudinal trim during –

(1) A climb with maximum continuous power at a speed not more than $1.3 V_{SR1}$, with the landing gear retracted, and the wing-flaps (i) retracted and (ii) in the take-off position;

(2) Either a glide with power off at a speed not more than $1.3 V_{SR1}$, or an approach within the normal range of approach speeds appropriate to the weight and configuration with power settings corresponding to a 3° glidepath, whichever is the most severe, with the landing gear extended, the wing-flaps retracted and extended, and with the most unfavourable combination of centre of gravity position and weight approved for landing; and

(3) Level flight at any speed from $1.3 V_{SR1}$, to V_{MO}/M_{MO} , with the landing gear and wing-flaps retracted, and from $1.3 V_{SR1}$ to V_{LE} with the landing gear extended.

(d) *Longitudinal, directional, and lateral trim.* The aeroplane must maintain longitudinal, directional, and lateral trim (and for lateral trim,

CS-25 BOOK 1

the angle of bank may not exceed 5° at $1.3 V_{SR1}$, during the climbing flight with –

- (1) The critical engine inoperative;
- (2) The remaining engines at maximum continuous power; and
- (3) The landing gear and wing-flaps retracted.

(e) *Aeroplanes with four or more engines.* Each aeroplane with four or more engines must also maintain trim in rectilinear flight with the most unfavourable centre of gravity and at the climb speed, configuration, and power required by CS 25.123 (a) for the purpose of establishing the en-route flight path with two engines inoperative.

STABILITY

CS 25.171 General

The aeroplane must be longitudinally, directionally and laterally stable in accordance with the provisions of CS 25.173 to 25.177. In addition, suitable stability and control feel (static stability) is required in any condition normally encountered in service, if flight tests show it is necessary for safe operation.

CS 25.173 Static longitudinal stability

Under the conditions specified in CS 25.175, the characteristics of the elevator control forces (including friction) must be as follows:

(a) A pull must be required to obtain and maintain speeds below the specified trim speed, and a push must be required to obtain and maintain speeds above the specified trim speed. This must be shown at any speed that can be obtained except speeds higher than the landing gear or wing flap operating limit speeds or V_{FC}/M_{FC} , whichever is appropriate, or lower than the minimum speed for steady unstalled flight.

(b) The airspeed must return to within 10% of the original trim speed for the climb, approach and landing conditions specified in CS 25.175 (a), (c) and (d), and must return to within 7.5% of the original trim speed for the cruising condition specified in CS 25.175 (b), when the control force is slowly released from any speed within the range specified in sub-paragraph (a) of this paragraph.

(c) The average gradient of the stable slope of the stick force versus speed curve may not be

less than 4 N (1 pound) for each 11,2 km/h (6 kt). (See AMC 25.173(c).)

(d) Within the free return speed range specified in sub-paragraph (b) of this paragraph, it is permissible for the aeroplane, without control forces, to stabilise on speeds above or below the desired trim speeds if exceptional attention on the part of the pilot is not required to return to and maintain the desired trim speed and altitude.

CS 25.175 Demonstration of static longitudinal stability

Static longitudinal stability must be shown as follows:

(a) *Climb.* The stick force curve must have a stable slope at speeds between 85% and 115% of the speed at which the aeroplane –

- (1) Is trimmed with –
 - (i) Wing-flaps retracted;
 - (ii) Landing gear retracted;
 - (iii) Maximum take-off weight; and
 - (iv) The maximum power or thrust selected by the applicant as an operating limitation for use during climb; and

(2) Is trimmed at the speed for best rate-of-climb except that the speed need not be less than $1.3 V_{SR1}$.

(b) *Cruise.* Static longitudinal stability must be shown in the cruise condition as follows:

(1) With the landing gear retracted at high speed, the stick force curve must have a stable slope at all speeds within a range which is the greater of 15% of the trim speed plus the resulting free return speed range, or 93 km/h (50 kt) plus the resulting free return speed range, above and below the trim speed (except that the speed range need not include speeds less than $1.3 V_{SR1}$ nor speeds greater than V_{FC}/M_{FC} , nor speeds that require a stick force of more than 222 N (50 lbf)), with –

- (i) The wing-flaps retracted;
- (ii) The centre of gravity in the most adverse position (see CS 25.27);
- (iii) The most critical weight between the maximum take-off and maximum landing weights;

CS-25 BOOK 1

(iv) The maximum cruising power selected by the applicant as an operating limitation (see CS 25.1521), except that the power need not exceed that required at V_{MO}/M_{MO} ; and

(v) The aeroplane trimmed for level flight with the power required in sub-paragraph (iv) above.

(2) With the landing gear retracted at low speed, the stick force curve must have a stable slope at all speeds within a range which is the greater of 15% of the trim speed plus the resulting free return speed range, or 93 km/h (50 kt) plus the resulting free return speed range, above and below the trim speed (except that the speed range need not include speeds less than $1.3 V_{SR1}$ nor speeds greater than the minimum speed of the applicable speed range prescribed in sub-paragraph (b)(1) of this paragraph, nor speeds that require a stick force of more than 222 N (50 lbf)), with –

(i) Wing-flaps, centre of gravity position, and weight as specified in sub-paragraph (1) of this paragraph;

(ii) Power required for level flight at a speed equal to $\frac{V_{MO} + 1.3V_{SR1}}{2}$; and

(iii) The aeroplane trimmed for level flight with the power required in sub-paragraph (ii) above.

(3) With the landing gear extended, the stick force curve must have a stable slope at all speeds within a range which is the greater of 15% of the trim speed plus the resulting free return speed range or 93 km/h (50 kt) plus the resulting free return speed range, above and below the trim speed (except that the speed range need not include speeds less than $1.3 V_{SR1}$, nor speeds greater than V_{LE} , nor speeds that require a stick force of more than 222 N (50 lbf)), with –

(i) Wing-flap, centre of gravity position, and weight as specified in sub-paragraph (b)(1) of this paragraph;

(ii) The maximum cruising power selected by the applicant as an operating limitation, except that the power need not exceed that required for level flight at V_{LE} ; and

(iii) The aeroplane trimmed for level flight with the power required in sub-paragraph (ii) above.

(c) *Approach*. The stick force curve must have a stable slope at speeds between V_{SW} , and $1.7 V_{SR1}$ with –

(1) Wing-flaps in the approach position;

(2) Landing gear retracted;

(3) Maximum landing weight; and

(4) The aeroplane trimmed at $1.3 V_{SR1}$, with enough power to maintain level flight at this speed.

(d) *Landing*. The stick force curve must have a stable slope and the stick force may not exceed 356 N (80 lbf) at speeds between V_{SW} , and $1.7 V_{SR0}$ with –

(1) Wing-flaps in the landing position;

(2) Landing gear extended;

(3) Maximum landing weight;

(4) The aeroplane trimmed at $1.3 V_{SR0}$ with –

(i) Power or thrust off, and

(ii) Power or thrust for level flight.

CS 25.177 Static directional and lateral stability

(a) The static directional stability (as shown by the tendency to recover from a skid with the rudder free) must be positive for any landing gear and flap position and symmetrical power condition, at speeds from $1.13 V_{SR1}$, up to V_{FE} , V_{LE} , or V_{FC}/M_{FC} (as appropriate).

(b) The static lateral stability (as shown by the tendency to raise the low wing in a sideslip with the aileron controls free) for any landing gear and wing-flap position and symmetric power condition, may not be negative at any airspeed (except that speeds higher than V_{FE} need not be considered for wing-flaps extended configurations nor speeds higher than V_{LE} for landing gear extended configurations) in the following airspeed ranges (see AMC 25.177(b)):

(1) From $1.13 V_{SR1}$ to V_{MO}/M_{MO} .

(2) From V_{MO}/M_{MO} to V_{FC}/M_{FC} , unless the divergence is –

(i) Gradual;

(ii) Easily recognisable by the pilot; and

CS-25 BOOK 1

(iii) Easily controllable by the pilot

(c) In straight, steady, sideslips over the range of sideslip angles appropriate to the operation of the aeroplane, the aileron and rudder control movements and forces must be substantially proportional to the angle of sideslip in a stable sense. The factor of proportionality must lie between limits found necessary for safe operation. The range of sideslip angles evaluated must include those sideslip angles resulting from the lesser of:

- (1) one-half of the available rudder control input; and
- (2) a rudder control force of 801 N (180 lbf).

This requirement must be met for the configurations and speeds specified in subparagraph (a) of this paragraph. (See AMC 25.177(c).)

(d) For sideslip angles greater than those prescribed by subparagraph (c) of this paragraph, up to the angle at which full rudder control is used or a rudder control force of 801 N (180 lbf) is obtained, the rudder control forces may not reverse, and increased rudder deflection must be needed for increased angles of sideslip. Compliance with this requirement must be shown using straight, steady sideslips, unless full lateral control input is achieved before reaching either full rudder control input or a rudder control force of 801 N (180 lbf); a straight, steady sideslip need not be maintained after achieving full lateral control input. This requirement must be met at all approved landing gear and wing-flap positions for the range of operating speeds and power conditions appropriate to each landing gear and wing-flap position with all engines operating. (See AMC 25.177(d).)

[Amdt. No.: 25/11]

CS 25.181 Dynamic stability
(See AMC 25.181)

(a) Any short period oscillation, not including combined lateral-directional oscillations, occurring between $1.13 V_{SR}$ and maximum allowable speed appropriate to the configuration of the aeroplane must be heavily damped with the primary controls –

- (1) Free; and
- (2) In a fixed position.

(b) Any combined lateral-directional oscillations ('Dutch roll') occurring between $1.13 V_{SR}$ and maximum allowable speed appropriate to the configuration of the aeroplane must be positively damped with controls free, and must be controllable with normal use of the primary controls without requiring exceptional pilot skill.

STALLS**CS 25.201 Stall demonstration**

(a) Stalls must be shown in straight flight and in 30° banked turns with –

- (1) Power off; and
- (2) The power necessary to maintain level flight at $1.5 V_{SR1}$ (where V_{SR1} corresponds to the reference stall speed at maximum landing weight with flaps in the approach position and the landing gear retracted. (See AMC 25.201(a)(2).)

(b) In each condition required by subparagraph (a) of this paragraph, it must be possible to meet the applicable requirements of CS25.203 with –

- (1) Flaps, landing gear and deceleration devices in any likely combination of positions approved for operation; (See AMC 25.201(b)(1).)
- (2) Representative weights within the range for which certification is requested;
- (3) The most adverse centre of gravity for recovery; and
- (4) The aeroplane trimmed for straight flight at the speed prescribed in CS 25.103 (b)(6).

(c) The following procedures must be used to show compliance with CS 25.203:

(1) Starting at a speed sufficiently above the stalling speed to ensure that a steady rate of speed reduction can be established, apply the longitudinal control so that the speed reduction does not exceed 0.5 m/s^2 (one knot per second) until the aeroplane is stalled. (See AMC 25.103(c).)

(2) In addition, for turning flight stalls, apply the longitudinal control to achieve airspeed deceleration rates up to 5.6 km/h (3 kt) per second. (See AMC 25.201(c)(2).)

(3) As soon as the aeroplane is stalled, recover by normal recovery techniques.

CS-25 BOOK 1

(d) The aeroplane is considered stalled when the behaviour of the aeroplane gives the pilot a clear and distinctive indication of an acceptable nature that the aeroplane is stalled. (See AMC 25.201 (d).) Acceptable indications of a stall, occurring either individually or in combination, are –

(1) A nose-down pitch that cannot be readily arrested;

(2) Buffeting, of a magnitude and severity that is a strong and effective deterrent to further speed reduction; or

(3) The pitch control reaches the aft stop and no further increase in pitch attitude occurs when the control is held full aft for a short time before recovery is initiated. (See AMC 25.201(d)(3).)

CS 25.203 Stall characteristics

(See AMC 25.203.)

(a) It must be possible to produce and to correct roll and yaw by unreversed use of aileron and rudder controls, up to the time the aeroplane is stalled. No abnormal nose-up pitching may occur. The longitudinal control force must be positive up to and throughout the stall. In addition, it must be possible to promptly prevent stalling and to recover from a stall by normal use of the controls.

(b) For level wing stalls, the roll occurring between the stall and the completion of the recovery may not exceed approximately 20°.

(c) For turning flight stalls, the action of the aeroplane after the stall may not be so violent or extreme as to make it difficult, with normal piloting skill, to effect a prompt recovery and to regain control of the aeroplane. The maximum bank angle that occurs during the recovery may not exceed –

(1) Approximately 60° in the original direction of the turn, or 30° in the opposite direction, for deceleration rates up to 0.5 m/s² (1 knot per second); and

(2) Approximately 90° in the original direction of the turn, or 60° in the opposite direction, for deceleration rates in excess of 0.5 m/s² (1 knot per second).

CS 25.207 Stall warning

(a) Stall warning with sufficient margin to prevent inadvertent stalling with the flaps and landing gear in any normal position must be

clear and distinctive to the pilot in straight and turning flight.

(b) The warning must be furnished either through the inherent aerodynamic qualities of the aeroplane or by a device that will give clearly distinguishable indications under expected conditions of flight. However, a visual stall warning device that requires the attention of the crew within the cockpit is not acceptable by itself. If a warning device is used, it must provide a warning in each of the aeroplane configurations prescribed in sub-paragraph (a) of this paragraph at the speed prescribed in sub-paragraphs (c) and (d) of this paragraph. Except for showing compliance with the stall warning margin prescribed in subparagraph (h)(3)(ii) of this paragraph, the stall warning for flight in icing conditions must be provided by the same means as the stall warning for flight in non-icing conditions. (See AMC 25.207(b).)

(c) When the speed is reduced at rates not exceeding 0.5 m/s² (one knot per second), stall warning must begin, in each normal configuration, at a speed, V_{SW} , exceeding the speed at which the stall is identified in accordance with CS 25.201 (d) by not less than 9.3 km/h (five knots) or five percent CAS, whichever is greater. Once initiated, stall warning must continue until the angle of attack is reduced to approximately that at which stall warning began. (See AMC 25.207(c) and (d)).

(d) In addition to the requirement of subparagraph(c) of this paragraph, when the speed is reduced at rates not exceeding 0.5 m/s² (one knot per second), in straight flight with engines idling and at the centre-of-gravity position specified in CS 25.103(b)(5), V_{SW} , in each normal configuration, must exceed V_{SR} by not less than 5.6 km/h (three knots) or three percent CAS, whichever is greater. (See AMC 25.207(c) and (d)).

(e) In icing conditions, the stall warning margin in straight and turning flight must be sufficient to allow the pilot to prevent stalling (as defined in CS 25.201(d)) when the pilot starts a recovery manoeuvre not less than three seconds after the onset of stall warning. When demonstrating compliance with this paragraph, the pilot must perform the recovery manoeuvre in the same way as for the airplane in non-icing conditions. Compliance with this requirement must be demonstrated in flight with the speed reduced at rates not exceeding 0.5 m/sec² (one knot per second), with –

(1) The more critical of the takeoff ice and final takeoff ice accretions defined in

CS-25 BOOK 1

appendix C for each configuration used in the takeoff phase of flight;

(2) The en route ice accretion defined in appendix C for the en route configuration;

(3) The holding ice accretion defined in appendix C for the holding configuration(s);

(4) The approach ice accretion defined in appendix C for the approach configuration(s); and

(5) The landing ice accretion defined in appendix C for the landing and go-around configuration(s).

(f) The stall warning margin must be sufficient in both non-icing and icing conditions to allow the pilot to prevent stalling when the pilot starts a recovery manoeuvre not less than one second after the onset of stall warning in slow-down turns with at least 1.5g load factor normal to the flight path and airspeed deceleration rates of at least 1 m/s^2 (2 knots per second). When demonstrating compliance with this paragraph for icing conditions, the pilot must perform the recovery manoeuvre in the same way as for the airplane in non-icing conditions. Compliance with this requirement must be demonstrated in flight with –

(1) The flaps and landing gear in any normal position;

(2) The aeroplane trimmed for straight flight at a speed of $1.3 V_{SR}$; and

(3) The power or thrust necessary to maintain level flight at $1.3 V_{SR}$.

(g) Stall warning must also be provided in each abnormal configuration of the high lift devices that is likely to be used in flight following system failures (including all configurations covered by Aeroplane Flight Manual procedures).

(h) For flight in icing conditions before the ice protection system has been activated and is performing its intended function, with the ice accretion defined in appendix C, part II(e), the stall warning margin in straight and turning flight must be sufficient to allow the pilot to prevent stalling without encountering any adverse flight characteristics when:

(1) The speed is reduced at rates not exceeding 0.5 m/sec^2 (one knot per second);

(2) The pilot performs the recovery manoeuvre in the same way as for flight in non-icing conditions; and

(3) The recovery manoeuvre is started no

earlier than:

(i) One second after the onset of stall warning if stall warning is provided by the same means as for flight in non-icing conditions; or

(ii) Three seconds after the onset of stall warning if stall warning is provided by a different means than for flight in non-icing conditions.

(i) In showing compliance with subparagraph (h) of this paragraph, if stall warning is provided by a different means in icing conditions than for non-icing conditions, compliance with CS 25.203 must be shown using the accretion defined in appendix C, part II(e). Compliance with this requirement must be shown using the demonstration prescribed by CS 25.201, except that the deceleration rates of CS 25.201(c)(2) need not be demonstrated.

[Amdt. No.:25/3]

[Amdt. No.:25/7]

GROUND HANDLING CHARACTERISTICS

CS 25.231 Longitudinal stability and control

(a) Aeroplanes may have no uncontrollable tendency to nose over in any reasonably expected operating condition or when rebound occurs during landing or take-off. In addition –

(1) Wheel brakes must operate smoothly and may not cause any undue tendency to nose over; and

(2) If a tail-wheel landing gear is used, it must be possible, during the take-off ground run on concrete, to maintain any attitude up to thrust line level, at 75% of V_{SR1} .

CS 25.233 Directional stability and control

(a) There may be no uncontrollable ground-looping tendency in 90° cross winds, up to a wind velocity of 37 km/h (20 kt) or $0.2 V_{SR0}$, whichever is greater, except that the wind velocity need not exceed 46 km/h (25 kt) at any speed at which the aeroplane may be expected to be operated on the ground. This may be shown while establishing the 90° cross component of wind velocity required by CS 25.237.

CS-25 BOOK 1

(b) Aeroplanes must be satisfactorily controllable, without exceptional piloting skill or alertness, in power-off landings at normal landing speed, without using brakes or engine power to maintain a straight path. This may be shown during power-off landings made in conjunction with other tests.

(c) The aeroplane must have adequate directional control during taxiing. This may be shown during taxiing prior to take-offs made in conjunction with other tests.

CS 25.235 Taxiing condition

The shock absorbing mechanism may not damage the structure of the aeroplane when the aeroplane is taxied on the roughest ground that may reasonably be expected in normal operation.

CS 25.237 Wind velocities

(a) The following applies:

(1) A 90° cross component of wind velocity, demonstrated to be safe for take-off and landing, must be established for dry runways and must be at least 37 km/h (20 kt) or 0.2 V_{SR0} , whichever is greater, except that it need not exceed 46 km/h (25 kt).

(2) The crosswind component for takeoff established without ice accretions is valid in icing conditions.

(3) The landing crosswind component must be established for:

- (i) Non-icing conditions, and
- (ii) Icing conditions with the landing ice accretion defined in appendix C.

[Amdt. No.:25/3]

MISCELLANEOUS FLIGHT REQUIREMENTS**CS 25.251 Vibration and buffeting**

(a) The aeroplane must be demonstrated in flight to be free from any vibration and buffeting that would prevent continued safe flight in any likely operating condition.

(b) Each part of the aeroplane must be demonstrated in flight to be free from excessive vibration under any appropriate speed and power conditions up to V_{DF}/M_{DF} . The maximum speeds shown must be used in establishing the

operating limitations of the aeroplane in accordance with CS 25.1505.

(c) Except as provided in sub-paragraph (d) of this paragraph, there may be no buffeting condition, in normal flight, including configuration changes during cruise, severe enough to interfere with the control of the aeroplane, to cause excessive fatigue to the crew, or to cause structural damage. Stall warning buffeting within these limits is allowable.

(d) There may be no perceptible buffeting condition in the cruise configuration in straight flight at any speed up to V_{MO}/M_{MO} , except that the stall warning buffeting is allowable.

(e) For an aeroplane with M_D greater than 0.6 or with a maximum operating altitude greater than 7620 m (25,000 ft), the positive manoeuvring load factors at which the onset of perceptible buffeting occurs must be determined with the aeroplane in the cruise configuration for the ranges of airspeed or Mach number, weight, and altitude for which the aeroplane is to be certificated. The envelopes of load factor, speed, altitude, and weight must provide a sufficient range of speeds and load factors for normal operations. Probable inadvertent excursions beyond the boundaries of the buffet onset envelopes may not result in unsafe conditions. (See AMC 25.251(e).)

[Amdt. No.:25/1]

CS 25.253 High-speed characteristics

(a) *Speed increase and recovery characteristics.* The following speed increase and recovery characteristics must be met:

(1) Operating conditions and characteristics likely to cause inadvertent speed increases (including upsets in pitch and roll) must be simulated with the aeroplane trimmed at any likely cruise speed up to V_{MO}/M_{MO} . These conditions and characteristics include gust upsets, inadvertent control movements, low stick force gradient in relation to control friction, passenger movement, levelling off from climb, and descent from Mach to air speed limit altitudes.

(2) Allowing for pilot reaction time after effective inherent or artificial speed warning occurs, it must be shown that the aeroplane can be recovered to a normal attitude and its speed reduced to V_{MO}/M_{MO} , without –

CS-25 BOOK 1

- (i) Exceptional piloting strength or skill;
- (ii) Exceeding V_D/M_D , V_{DF}/M_{DF} , or the structural limitations; and
- (iii) Buffeting that would impair the pilot's ability to read the instruments or control the aeroplane for recovery.

(3) With the aeroplane trimmed at any speed up to V_{MO}/M_{MO} , there must be no reversal of the response to control input about any axis at any speed up to V_{DF}/M_{DF} . Any tendency to pitch, roll, or yaw must be mild and readily controllable, using normal piloting techniques. When the aeroplane is trimmed at V_{MO}/M_{MO} , the slope of the elevator control force versus speed curve need not be stable at speeds greater than V_{FC}/M_{FC} , but there must be a push force at all speeds up to V_{DF}/M_{DF} and there must be no sudden or excessive reduction of elevator control force as V_{DF}/M_{DF} is reached.

(4) Adequate roll capability to assure a prompt recovery from a lateral upset condition must be available at any speed up to V_{DF}/M_{DF} . (See AMC 25.253(a)(4).)

(5) *Extension of speedbrakes.* With the aeroplane trimmed at V_{MO}/M_{MO} , extension of the speedbrakes over the available range of movements of the pilots control, at all speeds above V_{MO}/M_{MO} , but not so high that V_{DF}/M_{DF} would be exceeded during the manoeuvre, must not result in:

- (i) An excessive positive load factor when the pilot does not take action to counteract the effects of extension;
- (ii) Buffeting that would impair the pilot's ability to read the instruments or control the aeroplane for recovery; or
- (iii) A nose-down pitching moment, unless it is small. (See AMC 25.253(a)(5).)

(6) Reserved

(b) *Maximum speed for stability characteristics,* V_{FC}/M_{FC} . V_{FC}/M_{FC} is the maximum speed at which the requirements of CS 25.143(g), 25.147(f), 25.175(b)(1), 25.177(a) through (c), and 25.181 must be met with wing-flaps and landing gear retracted. Except as noted in CS 25.253(c), V_{FC}/M_{FC} may not be less than a speed midway between V_{MO}/M_{MO} and V_{DF}/M_{DF} , except that, for altitudes where Mach Number is the limiting factor, M_{FC} need not

exceed the Mach Number at which effective speed warning occurs.

(c) *Maximum speed for stability characteristics in icing conditions.* The maximum speed for stability characteristics with the ice accretions defined in Appendix C, at which the requirements of CS 25.143(g), 25.147(f), 25.175(b)(1), 25.177(a) through (c) and 25.181 must be met, is the lower of:

- (1) 556 km/h (300 knots) CAS,
- (2) V_{FC} , or
- (3) A speed at which it is demonstrated that the airframe will be free of ice accretion due to the effects of increased dynamic pressure.

[Amdt. No.: 25/3]

[Amdt. No.: 25/11]

CS 25.255 Out-of-trim characteristics (See AMC 25.255)

(a) From an initial condition with the aeroplane trimmed at cruise speeds up to V_{MO}/M_{MO} , the aeroplane must have satisfactory manoeuvring stability and controllability with the degree of out-of-trim in both the aeroplane nose-up and nose-down directions, which results from the greater of –

(1) A three-second movement of the longitudinal trim system at its normal rate for the particular flight condition with no aerodynamic load (or an equivalent degree of trim for aeroplanes that do not have a power-operated trim system), except as limited by stops in the trim system, including those required by CS25.655 (b) for adjustable stabilisers; or

(2) The maximum mistrim that can be sustained by the autopilot while maintaining level flight in the high speed cruising condition.

(b) In the out-of-trim condition specified in sub-paragraph (a) of this paragraph, when the normal acceleration is varied from + 1 g to the positive and negative values specified in sub-paragraph (c) of this paragraph –

(1) The stick force vs. g curve must have a positive slope at any speed up to and including V_{FC}/M_{FC} ; and

(2) At speeds between V_{FC}/M_{FC} and V_{DF}/M_{DF} , the direction of the primary longitudinal control force may not reverse.

CS-25 BOOK 1

(c) Except as provided in sub-paragraphs (d) and (e) of this paragraph compliance with the provisions of sub-paragraph (a) of this paragraph must be demonstrated in flight over the acceleration range –

(1) $-1g$ to $2.5g$; or

(2) $0g$ to $2.0g$, and extrapolating by an acceptable method to $-1g$ and $2.5g$.

(d) If the procedure set forth in sub-paragraph (c)(2) of this paragraph is used to demonstrate compliance and marginal conditions exist during flight test with regard to reversal of primary longitudinal control force, flight tests must be accomplished from the normal acceleration at which a marginal condition is found to exist to the applicable limit specified in sub-paragraph (c)(1) of this paragraph.

(e) During flight tests required by sub-paragraph (a) of this paragraph the limit manoeuvring load factors prescribed in CS25.333 (b) and 25.337, and the manoeuvring load factors associated with probable inadvertent excursions beyond the boundaries of the buffet onset envelopes determined under CS 25.251 (e), need not be exceeded. In addition, the entry speeds for flight test demonstrations at normal acceleration values less than $1g$ must be limited to the extent necessary to accomplish a recovery without exceeding V_{DF}/M_{DF} .

(f) In the out-of-trim condition specified in sub-paragraph (a) of this paragraph, it must be possible from an overspeed condition at V_{DF}/M_{DF} , to produce at least $1.5g$ for recovery by applying not more than 556 N (125 lbf) of longitudinal control force using either the primary longitudinal control alone or the primary longitudinal control and the longitudinal trim system. If the longitudinal trim is used to assist in producing the required load factor, it must be shown at V_{DF}/M_{DF} that the longitudinal trim can be actuated in the aeroplane nose-up direction with the primary surface loaded to correspond to the least of the following aeroplane nose-up control forces:

(1) The maximum control forces expected in service as specified in CS 25.301 and 25.397.

(2) The control force required to produce $1.5g$.

(3) The control force corresponding to buffeting or other phenomena of such intensity that it is a strong deterrent to further

application of primary longitudinal control force.

SUBPART C – STRUCTURE**GENERAL****CS 25.301 Loads**

(a) Strength requirements are specified in terms of limit loads (the maximum loads to be expected in service) and ultimate loads (limit loads multiplied by prescribed factors of safety). Unless otherwise provided, prescribed loads are limit loads.

(b) Unless otherwise provided the specified air, ground, and water loads must be placed in equilibrium with inertia forces, considering each item of mass in the aeroplane. These loads must be distributed to conservatively approximate or closely represent actual conditions. (See AMC No. 1 to CS 25.301(b).) Methods used to determine load intensities and distribution must be validated by flight load measurement unless the methods used for determining those loading conditions are shown to be reliable. (See AMC No. 2 to CS 25.301(b).)

(c) If deflections under load would significantly change the distribution of external or internal loads, this redistribution must be taken into account.

[Amdt. No.: 25/1]

CS 25.302 Interaction of systems and structures

For aeroplanes equipped with systems that affect structural performance, either directly or as a result of a failure or malfunction, the influence of these systems and their failure conditions must be taken into account when showing compliance with the requirements of Subparts C and D. Appendix K of CS-25 must be used to evaluate the structural performance of aeroplanes equipped with these systems.

[Amdt. No.: 25/1]

CS 25.303 Factor of safety

Unless otherwise specified, a factor of safety of 1.5 must be applied to the prescribed limit load which are considered external loads on the structure. When loading condition is prescribed in terms of ultimate loads, a factor of safety need not be applied unless otherwise specified.

CS 25.305 Strength and deformation

(a) The structure must be able to support limit loads without detrimental permanent deformation. At any load up to limit loads, the deformation may not interfere with safe operation.

(b) The structure must be able to support ultimate loads without failure for at least 3 seconds. However, when proof of strength is shown by dynamic tests simulating actual load conditions, the 3-second limit does not apply. Static tests conducted to ultimate load must include the ultimate deflections and ultimate deformation induced by the loading. When analytical methods are used to show compliance with the ultimate load strength requirements, it must be shown that –

(1) The effects of deformation are not significant;

(2) The deformations involved are fully accounted for in the analysis; or

(3) The methods and assumptions used are sufficient to cover the effects of these deformations.

(c) Where structural flexibility is such that any rate of load application likely to occur in the operating conditions might produce transient stresses appreciably higher than those corresponding to static loads, the effects of this rate of application must be considered.

(d) *Reserved*

(e) The aeroplane must be designed to withstand any vibration and buffeting that might occur in any likely operating condition up to V_D/M_D , including stall and probable inadvertent excursions beyond the boundaries of the buffet onset envelope. This must be shown by analysis, flight tests, or other tests found necessary by the Agency.

(f) Unless shown to be extremely improbable, the aeroplane must be designed to withstand any forced structural vibration resulting from any failure, malfunction or adverse condition in the flight control system. These loads must be treated in accordance with the requirements of CS 25.302.

[Amdt. No.: 25/1]

CS 25.307 Proof of structure

(See AMC 25.307)

(a) Compliance with the strength and deformation requirements of this Subpart must be shown for each critical loading condition. Structural analysis may be used only if the structure conforms to that for which experience has shown this method to be reliable. In other cases, substantiating tests must be made to load levels that are sufficient to verify structural behaviour up to loads specified in CS 25.305.

(b) Reserved

(c) Reserved

(d) When static or dynamic tests are used to show compliance with the requirements of CS 25.305 (b) for flight structures, appropriate material correction factors must be applied to the test results, unless the structure, or part thereof, being tested has features such that a number of elements contribute to the total strength of the structure and the failure of one element results in the redistribution of the load through alternate load paths.

[Amdt. No.: 25/1]

FLIGHT LOADS

CS 25.321 General

(a) Flight load factors represent the ratio of the aerodynamic force component (acting normal to the assumed longitudinal axis of the aeroplane) to the weight of the aeroplane. A positive load factor is one in which the aerodynamic force acts upward with respect to the aeroplane.

(b) Considering compressibility effects at each speed, compliance with the flight load requirements of this Subpart must be shown –

(1) At each critical altitude within the range of altitudes selected by the applicant;

(2) At each weight from the design minimum weight to the design maximum weight appropriate to each particular flight load condition; and

(3) For each required altitude and weight, for any practicable distribution of disposable load within the operating limitations recorded in the Aeroplane Flight Manual.

(c) Enough points on and within the boundaries of the design envelope must be investigated to ensure that the maximum load

for each part of the aeroplane structure is obtained.

(d) The significant forces acting on the aeroplane must be placed in equilibrium in a rational or conservative manner. The linear inertia forces must be considered in equilibrium with the thrust and all aerodynamic loads, while the angular (pitching) inertia forces must be considered in equilibrium with thrust and all aerodynamic moments, including moments due to loads on components such as tail surfaces and nacelles. Critical thrust values in the range from zero to maximum continuous thrust must be considered.

FLIGHT MANOEUVRE AND GUST CONDITIONS

CS 25.331 Symmetric manoeuvring conditions

(a) *Procedure.* For the analysis of the manoeuvring flight conditions specified in subparagraphs (b) and (c) of this paragraph, the following provisions apply:

(1) Where sudden displacement of a control is specified, the assumed rate of control surface displacement may not be less than the rate that could be applied by the pilot through the control system. (See AMC 25.331(c)(1))

(2) In determining elevator angles and chordwise load distribution in the manoeuvring conditions of subparagraphs (b) and (c) of this paragraph, the effect of corresponding pitching velocities must be taken into account. The in-trim and out-of-trim flight conditions specified in CS 25.255 must be considered. (See AMC 25.331(c)(2))

(b) *Manoeuvring balanced conditions.* Assuming the aeroplane to be in equilibrium with zero pitching acceleration, the manoeuvring conditions A through I on the manoeuvring envelope in CS 25.333 (b) must be investigated.

(c) *Manoeuvring pitching conditions.* The following conditions must be investigated:

(1) *Maximum pitch control displacement at V_A .* The aeroplane is assumed to be flying in steady level flight (point A₁, CS 25.333 (b)) and the cockpit pitch control is suddenly moved to obtain extreme nose up pitching acceleration. In defining the tail load, the response of the aeroplane must be taken into account. Aeroplane loads which

occur subsequent to the time when normal acceleration at the c.g. exceeds the positive limit manoeuvring load factor (at point A₂ in CS.333(b)), or the resulting tailplane normal load reaches its maximum, whichever occurs first, need not be considered.

(2) *Checked manoeuvre between V_A and V_D.* Nose up checked pitching manoeuvres must be analysed in which the positive limit load factor prescribed in CS 25.337 is achieved. As a separate condition, nose down checked pitching manoeuvres must be analysed in which a limit load factor of 0 is achieved. In defining the aeroplane loads the cockpit pitch control motions described in sub-paragraphs (i), (ii), (iii) and (iv) of this paragraph must be used:

(i) The aeroplane is assumed to be flying in steady level flight at any speed between V_A and V_D and the cockpit pitch control is moved in accordance with the following formula:

$$\delta(t) = \delta_1 \sin(\omega t) \quad \text{for } 0 \leq t \leq t_{\max}$$

where:

δ_1 = the maximum available displacement of the cockpit pitch control in the initial direction, as limited by the control system stops, control surface stops, or by pilot effort in accordance with CS 25.397(b);

$\delta(t)$ = the displacement of the cockpit pitch control as a function of time. In the initial direction $\delta(t)$ is limited to δ_1 . In the reverse direction, $\delta(t)$ may be truncated at the maximum available displacement of the cockpit pitch control as limited by the control system stops, control surface stops, or by pilot effort in accordance with CS 25.397(b);

$$t_{\max} = 3\pi/2\omega;$$

ω = the circular frequency (radians/second) of the control deflection taken equal to the undamped natural frequency of the short period rigid mode of the aeroplane, with active control system effects included where appropriate; but not less than:

$$\omega = \frac{\pi V}{2V_A} \quad \text{radians per second;}$$

where:

V = the speed of the aeroplane at entry to the manoeuvre.

V_A = the design manoeuvring speed prescribed in CS 25.335(c)

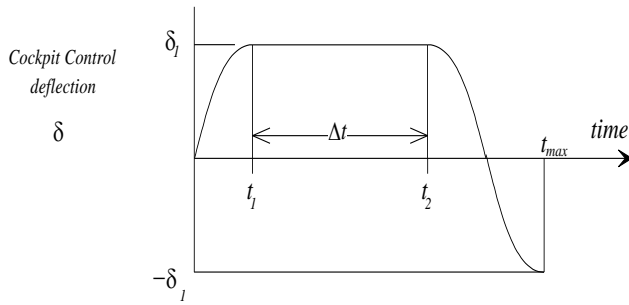
(ii) For nose-up pitching manoeuvres the complete cockpit pitch control displacement history may be scaled down in amplitude to the extent just necessary to ensure that the positive limit load factor prescribed in CS 25.337 is not exceeded. For nose-down pitching manoeuvres the complete cockpit control displacement history may be scaled down in amplitude to the extent just necessary to ensure that the normal acceleration at the c.g. does not go below 0g.

(iii) In addition, for cases where the aeroplane response to the specified cockpit pitch control motion does not achieve the prescribed limit load factors then the following cockpit pitch control motion must be used:

$$\begin{aligned} \delta(t) &= \delta_1 \sin(\omega t) & \text{for } 0 \leq t \leq t_1 \\ \delta(t) &= \delta_1 & \text{for } t_1 \leq t \leq t_2 \\ \delta(t) &= \delta_1 \sin(\omega[t + t_1 - t_2]) & \text{for } t_2 \leq t \leq t_{\max} \end{aligned}$$

where:

$$\begin{aligned} t_1 &= \pi/2\omega \\ t_2 &= t_1 + \Delta t \\ t_{\max} &= t_2 + \pi/\omega; \\ \Delta t &= \text{the minimum period of time necessary to allow the prescribed limit load factor to be achieved in the initial direction, but it need not exceed five seconds (see figure below).} \end{aligned}$$



CS 25.333 Flight manoeuvring envelope

(a) *General.* The strength requirements must be met at each combination of airspeed and load factor on and within the boundaries of the representative manoeuvring envelope (V-n diagram) of sub-paragraph (b) of this paragraph. This envelope must also be used in determining the aeroplane structural operating limitations as specified in CS 25.1501.

(b) *Manoeuvring envelope*

(See AMC 25.333(b))

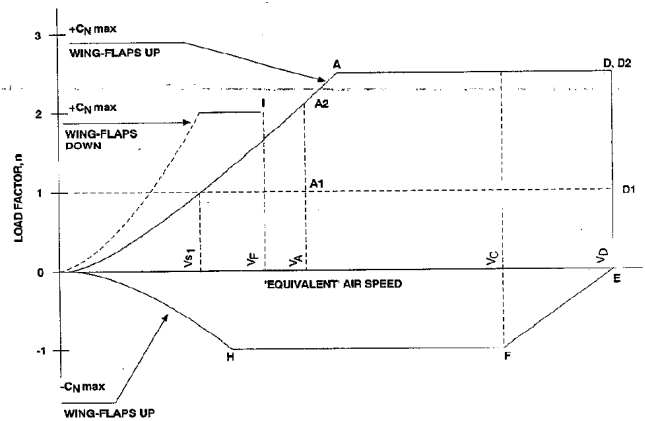
(iv) In cases where the cockpit pitch control motion may be affected by inputs from systems (for example, by a stick pusher that can operate at high load factor as well as at 1g) then the effects of those systems must be taken into account.

(v) Aeroplane loads that occur beyond the following times need not be considered:

(A) For the nose-up pitching manoeuvre, the time at which the normal acceleration at the c.g. goes below 0g;

(B) For the nose-down pitching manoeuvre, the time at which the normal acceleration at the c.g. goes above the positive limit load factor prescribed in CS 25.337;

(C) t_{max} .



[Amdt No: 25/11]

[Amdt No: 25/13]

[Amdt No: 25/13]

CS 25.335 Design airspeeds

The selected design airspeeds are equivalent airspeeds (EAS). Estimated values of V_{S_0} and V_{S_1} must be conservative.

(a) *Design cruising speed, V_C .* For V_C , the following apply:

(1) The minimum value of V_C must be sufficiently greater than V_B to provide for inadvertent speed increases likely to occur as a result of severe atmospheric turbulence.

(2) Except as provided in subparagraph 25.335(d)(2), V_C may not be less than $V_B + 1.32 U_{ref}$ (with U_{ref} as specified in sub-paragraph 25.341(a)(5)(i)). However, V_C need not exceed the maximum speed in level flight at maximum continuous power for the corresponding altitude.

(3) At altitudes where V_D is limited by Mach number, V_C may be limited to a selected Mach number. (See CS 25.1505.)

(b) *Design dive speed, V_D .* V_D must be selected so that V_C/M_C is not greater than $0.8 V_D/M_D$, or so that the minimum speed margin between V_C/M_C and V_D/M_D is the greater of the following values:

(1)

(i) For aeroplanes not equipped with a high speed protection function: From an initial condition of stabilised flight at V_C/M_C , the aeroplane is upset, flown for 20 seconds along a flight path 7.5° below the initial path, and then pulled up at a load factor of 1.5 g (0.5 g acceleration increment). The speed increase occurring in this manoeuvre may be calculated if reliable or conservative aerodynamic data issued. Power as specified in CS 25.175(b)(1)(iv) is assumed until the pullup is initiated, at which time power reduction and the use of pilot controlled drag devices may be assumed;

(ii) For aeroplanes equipped with a high speed protection function: In lieu of subparagraph (b)(1)(i), the speed increase above V_C/M_C resulting from the greater of the following manoeuvres must be established:

(A) From an initial condition of stabilised flight at V_C/M_C , the aeroplane is upset so as to take up a new flight path 7.5° below the

initial path. Control application, up to full authority, is made to try and maintain this new flight path. Twenty seconds after achieving the new flight path, manual recovery is made at a load factor of 1.5 g (0.5 g acceleration increment), or such greater load factor that is automatically applied by the system with the pilot's pitch control neutral. The speed increase occurring in this manoeuvre may be calculated if reliable or conservative aerodynamic data is used. Power as specified in CS 25.175(b)(1)(iv) is assumed until recovery is made, at which time power reduction and the use of pilot controlled drag devices may be assumed.

(B) From a speed below V_C/M_C , with power to maintain stabilised level flight at this speed, the aeroplane is upset so as to accelerate through V_C/M_C at a flight path 15° below the initial path (or at the steepest nose down attitude that the system will permit with full control authority if less than 15°). Pilot controls may be in neutral position after reaching V_C/M_C and before recovery is initiated. Recovery may be initiated 3 seconds after operation of high speed, attitude, or other alerting system by application of a load factor of 1.5 g (0.5 g acceleration increment), or such greater load factor that is automatically applied by the system with the pilot's pitch control neutral. Power may be reduced simultaneously. All other means of decelerating the aeroplane, the use of which is authorised up to the highest speed reached in the manoeuvre, may be used. The interval between successive pilot actions must not be less than 1 second (See AMC 25.335(b)(1)(ii)).

(2) The minimum speed margin must be enough to provide for atmospheric variations (such as horizontal gusts, and penetration of jet streams and cold fronts) and for instrument errors and airframe production variations. These factors may be considered on a probability basis. The

margin at altitude where M_C is limited by compressibility effects must not be less than 0.07M unless a lower margin is determined using a rational analysis that includes the effects of any automatic systems. In any case, the margin may not be reduced to less than 0.05M. (See AMC 25.335(b)(2))

(c) *Design manoeuvring speed, V_A .* For V_A , the following apply:

(1) V_A may not be less than $V_{S1} \sqrt{n}$ where –

(i) n is the limit positive manoeuvring load factor at V_C ; and

(ii) V_{S1} is the stalling speed with wing-flaps retracted.

(2) V_A and V_S must be evaluated at the design weight and altitude under consideration.

(3) V_A need not be more than V_C or the speed at which the positive C_{Nmax} curve intersects the positive manoeuvre load factor line, whichever is less.

(d) *Design speed for maximum gust intensity, V_B .*

(1) V_B may not be less than

$$V_{S1} \left[1 + \frac{K_g U_{ref} V_C a}{498w} \right]^{1/2}$$

where –

V_{S1} = the 1-g stalling speed based on C_{NAmax} with the flaps retracted at the particular weight under consideration;

C_{NAmax} = the maximum aeroplane normal force coefficient;

V_C = design cruise speed (knots equivalent airspeed);

U_{ref} = the reference gust velocity (feet per second equivalent airspeed) from CS 25.341(a)(5)(i);

w = average wing loading (pounds per square foot) at the particular weight under consideration.

$$K_g = \frac{.88\mu}{5.3 + \mu}$$

$$\mu = \frac{2w}{\rho cag}$$

ρ = density of air (slugs/ft³);

c = mean geometric chord of the wing (feet);

g = acceleration due to gravity (ft/sec²);

a = slope of the aeroplane normal force coefficient curve, C_{NA} per radian;

(2) At altitudes where V_C is limited by Mach number –

(i) V_B may be chosen to provide an optimum margin between low and high speed buffet boundaries; and,

(ii) V_B need not be greater than V_C .

(e) *Design wing-flap speeds, V_F .* For V_F , the following apply:

(1) The design wing-flap speed for each wing-flap position (established in accordance with CS 25.697 (a)) must be sufficiently greater than the operating speed recommended for the corresponding stage of flight (including balked landings) to allow for probable variations in control of airspeed and for transition from one wing-flap position to another.

(2) If an automatic wing-flap positioning or load limiting device is used, the speeds and corresponding wing-flap positions programmed or allowed by the device may be used.

(3) V_F may not be less than –

(i) 1.6 V_{S1} with the wing-flaps in take-off position at maximum take-off weight;

(ii) 1.8 V_{S1} with the wing-flaps in approach position at maximum landing weight; and

(iii) 1.8 V_{S0} with the wing-flaps in landing position at maximum landing weight.

(f) *Design drag device speeds, V_{DD} .* The selected design speed for each drag device must be sufficiently greater than the speed recommended for the operation of the device to allow for probable variations in speed control. For drag devices intended for use in high speed descents, V_{DD} may not be less than V_D . When an automatic drag device positioning or load limiting means is used, the speeds and corresponding drag device positions programmed or allowed by the automatic means must be used for design.

[Amdt No: 25/13]

CS 25.337 Limit manoeuvring load factors
(See AMC 25.337)

(a) Except where limited by maximum (static) lift coefficients, the aeroplane is assumed to be subjected to symmetrical manoeuvres resulting in the limit manoeuvring load factors prescribed in this paragraph. Pitching velocities appropriate to the corresponding pull-up and steady turn manoeuvres must be taken into account.

(b) The positive limit manoeuvring load factor 'n' for any speed up to V_D may not be less than $2.1 + \left(\frac{24\,000}{W + 10\,000}\right)$ except that 'n' may not be less than 2.5 and need not be greater than 3.8 – where 'W' is the design maximum take-off weight (lb).

(c) The negative limit manoeuvring load factor –

(1) May not be less than -1.0 at speeds up to V_C ; and

(2) Must vary linearly with speed from the value at V_C to zero at V_D .

(d) Manoeuvring load factors lower than those specified in this paragraph may be used if the aeroplane has design features that make it impossible to exceed these values in flight.

CS 25.341 Gust and turbulence loads
(See AMC 25.341)

(a) *Discrete Gust Design Criteria.* The aeroplane is assumed to be subjected to symmetrical vertical and lateral gusts in level flight. Limit gust loads must be determined in accordance with the following provisions:

(1) Loads on each part of the structure must be determined by dynamic analysis. The analysis must take into account unsteady aerodynamic characteristics and all significant structural degrees of freedom including rigid body motions.

(2) The shape of the gust must be taken as follows:

$$U = \frac{U_{ds}}{2} \left[1 - \cos\left(\frac{\pi s}{H}\right) \right] \quad \text{for } 0 \leq s$$

$$\leq 2H$$

$$U = 0 \quad \text{for } s > 2H$$

where –

s = distance penetrated into the gust (metre);

U_{ds} = the design gust velocity in equivalent airspeed specified in sub-paragraph (a) (4) of this paragraph;

H = the gust gradient which is the distance (metre) parallel to the aeroplane's flight path for the gust to reach its peak velocity.

(3) A sufficient number of gust gradient distances in the range 9 m (30 feet) to 107 m (350 feet) must be investigated to find the critical response for each load quantity.

(4) The design gust velocity must be:

$$U_{ds} = U_{ref} F_g \left(\frac{H}{107}\right)^{1/6}$$

where –

U_{ref} = the reference gust velocity in equivalent airspeed defined in sub-paragraph (a)(5) of this paragraph;

F_g = the flight profile alleviation factor defined in sub-paragraph (a)(6) of this paragraph.

(5) The following reference gust velocities apply:

(i) At aeroplane speeds between V_B and V_C : Positive and negative gusts with reference gust velocities of 17.07 m/s (56.0 ft/s) EAS must be considered at sea level. The reference gust velocity may be reduced linearly from 17.07 m/s (56.0 ft/s) EAS at sea level to 13.41 m/s (44.0 ft/s) EAS at 4572 m (15 000 ft). The reference gust velocity may be further reduced linearly from 13.41 m/s (44.0 ft/s) EAS at 4572 m (15 000 ft) to 6.36 m/s (20.86 ft/sec) EAS at 18288 m (60 000 ft).

(ii) At the aeroplane design speed V_D : The reference gust velocity must be 0.5 times the value obtained under CS 25.341(a)(5)(i).

(6) The flight profile alleviation factor, F_g , must be increased linearly from the sea level value to a value of 1.0 at the maximum operating altitude defined in CS 25.1527. At sea level, the flight profile alleviation factor is determined by the following equation.

$$F_g = 0.5 (F_{gz} + F_{gm})$$

where –

$$F_{gz} = 1 - \frac{Z_{mo}}{76200}; \quad (F_{gz} = 1 - \frac{Z_{mo}}{250000})$$

$$F_{gm} = \sqrt{R_2 \tan\left(\pi R_1 / 4\right)}$$

$$R_1 = \frac{\text{MaximumLandingWeight}}{\text{MaximumTake-off Weight}}$$

$$R_2 = \frac{\text{MaximumZeroFuel Weight}}{\text{MaximumTake-off Weight}}$$

Z_{mo} maximum operating altitude (metres (feet)) defined in CS 25.1527.

(7) When a stability augmentation system is included in the analysis, the effect of any significant system non-linearities should be accounted for when deriving limit loads from limit gust conditions.

(b) *Continuous Turbulence Design Criteria.* The dynamic response of the aeroplane to vertical and lateral continuous turbulence must be taken into account. The dynamic analysis must take into account unsteady aerodynamic characteristics and all significant structural degrees of freedom including rigid body motions. The limit loads must be determined for all critical altitudes, weights, and weight distributions as specified in CS 25.321(b), and all critical speeds within the ranges indicated in subparagraph (b)(3).

(1) Except as provided in subparagraphs (b)(4) and (b)(5) of this paragraph, the following equation must be used:

$$P_L = P_{L-1g} \pm U_\sigma \bar{A}$$

Where:

P_L = limit load;

P_{L-1g} = steady 1-g load for the condition;

\bar{A} = ratio of root-mean-square incremental load for the condition to root-mean-square turbulence velocity; and

U_σ = limit turbulence intensity in true airspeed, specified in subparagraph (b)(3) of this paragraph.

(2) Values of \bar{A} must be determined according to the following formula:

$$\bar{A} = \sqrt{\int_0^\infty |H(\Omega)|^2 \Phi_I(\Omega) d\Omega}$$

Where:

H(Ω) = the frequency response function,

determined by dynamic analysis, that relates the loads in the aircraft structure to the atmospheric turbulence; and
 Φ_I(Ω) = normalised power spectral density of atmospheric turbulence given by:

$$\Phi_I(\Omega) = \frac{L}{\pi} \frac{1 + \frac{8}{3}(1.339\Omega L)^2}{[1 + (1.339\Omega L)^2]^{11/6}}$$

Where:

Ω = reduced frequency, rad/ft; and

L = scale of turbulence = 2,500 ft.

(3) The limit turbulence intensities, U_σ, in m/s (ft/s) true airspeed required for compliance with this paragraph are:

(i) At aeroplane speeds between V_B and V_C:

$$U_\sigma = U_{\sigma ref} F_g$$

Where:

U_{σref} is the reference turbulence intensity that varies linearly with altitude from 27.43 m/s (90 ft/s) (TAS) at sea level to 24.08 m/s (79 ft/s) (TAS) at 7315 m (24000 ft) and is then constant at 24.08 m/s (79 ft/s) (TAS) up to the altitude of 18288 m (60000 ft); and
 F_g is the flight profile alleviation factor defined in subparagraph (a)(6) of this paragraph;

(ii) At speed V_D: U_σ is equal to 1/2 the values obtained under subparagraph (3)(i) of this paragraph.

(iii) At speeds between V_C and V_D: U_σ is equal to a value obtained by linear interpolation.

(iv) At all speeds both positive and negative incremental loads due to continuous turbulence must be considered.

(4) When an automatic system affecting the dynamic response of the aeroplane is included in the analysis, the effects of system non-linearities on loads at the limit load level must be taken into account in a realistic or conservative manner.

(5) If necessary for the assessment of loads on aeroplanes with significant non-linearities, it must be assumed that the turbulence field has a root-mean-square

velocity equal to 40 percent of the U_G values specified in subparagraph (3). The value of limit load is that load with the same probability of exceedance in the turbulence field as AU_G of the same load quantity in a linear approximated model.

(c) *Supplementary gust conditions for wing mounted engines.* For aeroplanes equipped with wing mounted engines, the engine mounts, pylons, and wing supporting structure must be designed for the maximum response at the nacelle centre of gravity derived from the following dynamic gust conditions applied to the aeroplane:

(1) A discrete gust determined in accordance with CS 25.341(a) at each angle normal to the flight path, and separately,

(2) A pair of discrete gusts, one vertical and one lateral. The length of each of these gusts must be independently tuned to the maximum response in accordance with CS 25.341(a). The penetration of the aeroplane in the combined gust field and the phasing of the vertical and lateral component gusts must be established to develop the maximum response to the gust pair. In the absence of a more rational analysis, the following formula must be used for each of the maximum engine loads in all six degrees of freedom:

$$P_L = P_{L-1g} \pm 0.85 \sqrt{(L_{V_i}^2 + L_{L_i}^2)}$$

Where:

P_L = limit load;

P_{L-1g} = steady 1-g load for the condition;

L_{V_i} = peak incremental response load due to a vertical gust according to CS 25.341(a); and

L_{L_i} = peak incremental response load due to a lateral gust according to CS 25.341(a).

[Amdt. No.: 25/1]

[Amdt. No.: 25/12]

CS 25.343 Design fuel and oil loads

(a) The disposable load combinations must include each fuel and oil load in the range from zero fuel and oil to the selected maximum fuel and oil load. A structural reserve fuel condition, not exceeding 45 minutes of fuel under operating conditions in CS 25.1001 (f), may be selected.

(b) If a structural reserve fuel condition is selected, it must be used as the minimum fuel

weight condition for showing compliance with the flight load requirements as prescribed in this Subpart. In addition –

(1) The structure must be designed for a condition of zero fuel and oil in the wing at limit loads corresponding to –

(i) A manoeuvring load factor of +2.25; and

(ii) The gust and turbulence conditions of CS 25.341, but assuming 85% of the gust velocities prescribed in CS 25.341(a)(4) and 85% of the turbulence intensities prescribed in CS 25.341(b)(3).

(2) Fatigue evaluation of the structure must account for any increase in operating stresses resulting from the design condition of sub-paragraph (b) (1) of this paragraph; and

(3) The flutter, deformation, and vibration requirements must also be met with zero fuel.

[Amdt. No.: 25/1]

CS 25.345 High lift devices

(a) If wing-flaps are to be used during take-off, approach, or landing, at the design flap speeds established for these stages of flight under CS 25.335 (e) and with the wing-flaps in the corresponding positions, the aeroplane is assumed to be subjected to symmetrical manoeuvres and gusts. The resulting limit loads must correspond to the conditions determined as follows:

(1) Manoeuvring to a positive limit load factor of 2.0; and

(2) Positive and negative gusts of 7.62 m/sec (25 ft/sec) EAS acting normal to the flight path in level flight. Gust loads resulting on each part of the structure must be determined by rational analysis. The analysis must take into account the unsteady aerodynamic characteristics and rigid body motions of the aircraft. (See AMC 25.345(a).) The shape of the gust must be as described in CS 25.341(a)(2) except that –

U_{ds} = 7.62 m/sec (25 ft/sec) EAS;

H = 12.5 c; and

c = mean geometric chord of the wing (metres (feet)).

(b) The aeroplane must be designed for the conditions prescribed in sub-paragraph (a) of this paragraph except that the aeroplane load factor need not exceed 1.0, taking into account, as separate conditions, the effects of –

(1) Propeller slipstream corresponding to maximum continuous power at the design flap speeds V_F , and with take-off power at not less than 1.4 times the stalling speed for the particular flap position and associated maximum weight; and

(2) A head-on gust of 7.62m/sec (25 fps) velocity (EAS).

(c) If flaps or other high lift devices are to be used in en-route conditions, and with flaps in the appropriate position at speeds up to the flap design speed chosen for these conditions, the aeroplane is assumed to be subjected to symmetrical manoeuvres and gusts within the range determined by –

(1) Manoeuvring to a positive limit load factor as prescribed in CS 25.337 (b); and

(2) The vertical gust and turbulence conditions prescribed in CS 25.341. (See AMC 25.345(c).)

(d) The aeroplane must be designed for a manoeuvring load factor of 1.5 g at the maximum take-off weight with the wing-flaps and similar high lift devices in the landing configurations.

[Amdt. No.: 25/1]

CS 25.349 Rolling conditions

The aeroplane must be designed for loads resulting from the rolling conditions specified in sub-paragraphs (a) and (b) of this paragraph. Unbalanced aerodynamic moments about the centre of gravity must be reacted in a rational or conservative manner, considering the principal masses furnishing the reacting inertia forces.

(a) *Manoeuvring.* The following conditions, speeds, aileron deflections and cockpit roll control motions (except as the deflections and the motions may be limited by pilot effort) must be considered in combination with an aeroplane load factor of zero and of two-thirds of the positive manoeuvring factor used in design. For aeroplanes equipped with electronic flight controls, where the motion of the control surfaces does not bear a direct relationship to the motion of the cockpit control devices, these conditions must be considered in combination

with an aeroplane load factor ranging from zero to two thirds of the positive manoeuvring factor used in design. In determining the required or resulting aileron deflections, the torsional flexibility of the wing must be considered in accordance with CS 25.301 (b):

(1) Conditions corresponding to steady rolling velocities must be investigated. In addition, conditions corresponding to maximum angular acceleration must be investigated for aeroplanes with engines or other weight concentrations outboard of the fuselage, and for aeroplanes equipped with electronic flight controls, where the motion of the control surfaces does not bear a direct relationship to the motion of the cockpit control devices. For the angular acceleration conditions, zero rolling velocity may be assumed in the absence of a rational time history investigation of the manoeuvre.

(2) At V_A , a sudden deflection of the aileron to the stop is assumed.

(3) At V_C , the aileron deflection must be that required to produce a rate of roll not less than that obtained in sub-paragraph (a) (2) of this paragraph.

(4) At V_D , the aileron deflection must be that required to produce a rate of roll not less than one-third of that in sub-paragraph (a) (2) of this paragraph.

(5) For aeroplanes equipped with electronic flight controls, where the motion of the control surfaces does not bear a direct relationship to the motion of the cockpit control devices, in lieu of subparagraphs (a)(2), (a)(3), and (a)(4), the following apply:

(i) At V_A , movement of the cockpit roll control up to the limit is assumed. The position of the cockpit roll control must be maintained until a steady roll rate is achieved and then it must be returned suddenly to the neutral position.

(ii) At V_C , the cockpit roll control must be moved suddenly and maintained so as to achieve a roll rate not less than that obtained in subparagraph (a)(5)(i) of this paragraph. The return of cockpit control to neutral is initiated suddenly when steady roll rate is reached.

(iii) At V_D , the cockpit roll control must be moved suddenly and maintained so as to achieve a roll rate not less than one third of that obtained in subparagraph (a)(5)(i) of this paragraph.

The conditions specified in this subparagraph must be investigated without any corrective yaw control action (pilot or system induced) to maximise sideslip, and, as a separate condition, with corrective yaw control action (pilot or system induced) to reduce sideslip as far as possible. The first condition (without any corrective yaw control action) may be considered as a failure condition under CS 25.302. (See AMC 25.349(a))

(b) *Unsymmetrical gusts.* The aeroplane is assumed to be subjected to unsymmetrical vertical gusts in level flight. The resulting limit loads must be determined from either the wing maximum airload derived directly from CS 25.341(a), or the wing maximum airload derived indirectly from the vertical load factor calculated from CS 25.341(a). It must be assumed that 100 percent of the wing airload acts on one side of the aeroplane and 80 percent of the wing airload acts on the other side.

[Amdt No: 25/13]

CS 25.351 Yaw manoeuvre conditions
(See AMC 25.351)

The aeroplane must be designed for loads resulting from the yaw manoeuvre conditions specified in sub-paragraphs (a) through (d) of this paragraph at speeds from V_{MC} to V_D . Unbalanced aerodynamic moments about the centre of gravity must be reacted in a rational or conservative manner considering the aeroplane inertia forces. In computing the tail loads the yawing velocity may be assumed to be zero.

(a) With the aeroplane in unaccelerated flight at zero yaw, it is assumed that the cockpit rudder control is suddenly displaced to achieve the resulting rudder deflection, as limited by:

(1) the control system or control surface stops; or

(2) a limit pilot force of 1335 N (300 lbf) from V_{MC} to V_A and 890 N (200 lbf) from V_C/M_C to V_D/M_D , with a linear variation between V_A and V_C/M_C .

(b) With the cockpit rudder control deflected so as always to maintain the maximum rudder deflection available within the limitations specified in sub-paragraph (a) of this paragraph, it is assumed that the aeroplane yaws to the overswing sideslip angle.

(c) With the aeroplane yawed to the static equilibrium sideslip angle, it is assumed that the cockpit rudder control is held so as to achieve the maximum rudder deflection available within the limitations specified in sub-paragraph (a) of this paragraph.

(d) With the aeroplane yawed to the static equilibrium sideslip angle of sub-paragraph (c) of this paragraph, it is assumed that the cockpit rudder control is suddenly returned to neutral.

[Amdt No: 25/13]

SUPPLEMENTARY CONDITIONS

CS 25.361 Engine and auxiliary power unit torque
(see AMC 25.361)

(a) For engine installations:

(1) Each engine mount, pylon and adjacent supporting airframe structures must be designed for the effects of:—

(i) a limit engine torque corresponding to take-off power/thrust and, if applicable, corresponding propeller speed, acting simultaneously with 75% of the limit loads from flight condition A of CS 25.333 (b);

(ii) a limit engine torque corresponding to the maximum continuous power/thrust and, if applicable, corresponding propeller speed, acting simultaneously with the limit loads from flight condition A of CS 25.333 (b); and

(iii) for turbo-propeller installations only, in addition to the conditions specified in sub-paragraphs (a) (1) (i) and (ii), a limit engine torque corresponding to take-off power and propeller speed, multiplied by a factor accounting for propeller control system malfunction, including quick feathering, acting simultaneously with 1 g level flight loads. In the absence of a rational analysis, a factor of 1.6 must be used.

(2) The limit engine torque to be considered under sub-paragraph (1) must be obtained by:

(i) for turbo-propeller installations, multiplying mean engine torque for the specified power/thrust and speed by a factor of 1.25

(ii) for other turbine engines, the limit engine torque must be equal to the maximum accelerating torque for the case considered.

(3) The engine mounts, pylons, and adjacent supporting airframe structure must be designed to withstand 1 g level flight loads acting simultaneously with the limit engine torque loads imposed by each of the following conditions to be considered separately:

(i) sudden maximum engine deceleration due to malfunction or abnormal condition: and

(ii) the maximum acceleration of engine.

(b) For auxiliary power unit installations:

The power unit mounts and adjacent supporting airframe structure must be designed to withstand 1g level flight loads acting simultaneously with the limit torque loads imposed by the following conditions to be considered separately:

(1) sudden maximum auxiliary power unit deceleration due to malfunction or abnormal condition or structural failure; and

(2) the maximum acceleration of the auxiliary power unit.

[Amdt. No.: 25/8]

CS 25.362 Engine failure loads.

(See AMC 25.362)

(a) For engine mounts, pylons and adjacent supporting airframe structure, an ultimate loading condition must be considered that combines 1g flight loads with the most critical transient dynamic loads and vibrations, as determined by dynamic analysis, resulting from failure of a blade, shaft, bearing or bearing support, or bird strike event. Any permanent deformation from these ultimate load conditions should not prevent continued safe flight and landing.

(b) The ultimate loads developed from the conditions specified in paragraph (a) are to be:

(1) multiplied by a factor of 1.0 when applied to engine mounts and pylons; and

(2) multiplied by a factor of 1.25 when applied to adjacent supporting airframe structure.

[Amdt. No.: 25/8]

CS 25.363 Side load on engine and auxiliary power unit mounts

(a) Each engine and auxiliary power unit mount and its supporting structure must be designed for a limit load factor in a lateral direction, for the side load on the engine and auxiliary power unit mount, at least equal to the maximum load factor obtained in the yawing conditions but not less than –

(1) 1.33; or

(2) One-third of the limit load factor for flight condition A as prescribed in CS 25.333 (b).

(b) The side load prescribed in sub-paragraph (a) of this paragraph may be assumed to be independent of other flight conditions.

CS 25.365 Pressurised compartment loads

For aeroplanes with one or more pressurised compartments the following apply:

(a) The aeroplane structure must be strong enough to withstand the flight loads combined with pressure differential loads from zero up to the maximum relief valve setting.

(b) The external pressure distribution in flight, and stress concentrations and fatigue effects must be accounted for.

(c) If landings may be made with the compartment pressurised, landing loads must be combined with pressure differential loads from zero up to the maximum allowed during landing.

(d) The aeroplane structure must be strong enough to withstand the pressure differential loads corresponding to the maximum relief valve setting multiplied by a factor of 1.33, omitting other loads.

(e) Any structure, component or part, inside or outside a pressurised compartment, the failure of which could interfere with continued safe flight and landing, must be

designed to withstand the effects of a sudden release of pressure through an opening in any compartment at any operating altitude resulting from each of the following conditions:

(1) The penetration of the compartment by a portion of an engine following an engine disintegration.

(2) Any opening in any pressurised compartment up to the size H_o in square feet; however, small compartments may be combined with an adjacent pressurised compartment and both considered as a single compartment for openings that cannot reasonably be expected to be confined to the small compartment. The size H_o must be computed by the following formula:

$$H_o = PA_s$$

where,

H_o = maximum opening in square feet, need not exceed 20 square feet.

$$P = \frac{A_s}{6240} + .024$$

A_s = maximum cross sectional area of the pressurised shell normal to the longitudinal axis, in square feet; and

(3) The maximum opening caused by aeroplane or equipment failures not shown to be extremely improbable. (See AMC 25.365 (e).)

(f) In complying with sub-paragraph (e) of this paragraph, the fail-safe features of the design may be considered in determining the probability of failure or penetration and probable size of openings, provided that possible improper operation of closure devices and inadvertent door openings are also considered. Furthermore, the resulting differential pressure loads must be combined in a rational and conservative manner with 1 g level flight loads and any loads arising from emergency depressurisation conditions. These loads may be considered as ultimate conditions; however, any deformation associated with these conditions must not interfere with continued safe flight and landing. The pressure relief provided by the intercompartment venting may also be considered.

(g) Bulkheads, floors, and partitions in pressurised compartments for occupants must be designed to withstand conditions specified in sub-paragraph (e) of this paragraph. In addition, reasonable design precautions must be taken to minimise the probability of parts

becoming detached and injuring occupants while in their seats.

CS 25.367 Unsymmetrical loads due to engine failure

(a) The aeroplane must be designed for the unsymmetrical loads resulting from the failure of the critical engine. Turbo-propeller aeroplanes must be designed for the following conditions in combination with a single malfunction of the propeller drag limiting system, considering the probable pilot corrective action on the flight controls:

(1) At speeds between V_{MC} and V_D , the loads resulting from power failure because of fuel flow interruption are considered to be limit loads.

(2) At speeds between V_{MC} and V_C , the loads resulting from the disconnection of the engine compressor from the turbine or from loss of the turbine blades are considered to be ultimate loads.

(3) The time history of the thrust decay and drag build-up occurring as a result of the prescribed engine failures must be substantiated by test or other data applicable to the particular engine-propeller combination.

(4) The timing and magnitude of the probable pilot corrective action must be conservatively estimated, considering the characteristics of the particular engine-propeller-aeroplane combination.

(b) Pilot corrective action *may* be assumed to be initiated at the time maximum yawing velocity is reached, but not earlier than two seconds after the engine failure. The magnitude of the corrective action may be based on the control forces specified in CS 25.397 (b) except that lower forces may be assumed where it is shown by analysis or test that these forces can control the yaw and roll resulting from the prescribed engine failure conditions.

CS 25.371 Gyroscopic loads

The structure supporting any engine or auxiliary power unit must be designed for the loads, including gyroscopic loads, arising from the conditions specified in CS 25.331, CS 25.341, CS 25.349, CS 25.351, CS 25.473, CS 25.479, and CS 25.481, with the engine or auxiliary power unit at the maximum rpm appropriate to

the condition. For the purposes of compliance with this paragraph, the pitch manoeuvre in CS 25.331(c)(1) must be carried out until the positive limit manoeuvring load factor (point A₂ in CS 25.333(b)) is reached.

[Amdt. No.: 25/1]

CS 25.373 Speed control devices

If speed control devices (such as spoilers and drag flaps) are installed for use in en-route conditions:

(a) The aeroplane must be designed for the symmetrical manoeuvres and gusts prescribed in CS 25.333, CS 25.337, the yawing manoeuvres in CS 25.351, and the vertical and lateral gust and turbulence conditions prescribed in CS 25.341(a) and (b) at each setting and the maximum speed associated with that setting; and

(b) If the device has automatic operating or load limiting features, the aeroplane must be designed for the manoeuvre and gust conditions prescribed in sub-paragraph (a) of this paragraph, at the speeds and corresponding device positions that the mechanism allows.

[Amdt. No.: 25/1]

CONTROL SURFACE AND SYSTEM LOADS

CS 25.391 Control surface loads: general

The control surfaces must be designed for the limit loads resulting from the flight conditions in CS 25.331, CS 25.341(a) and (b), CS 25.349 and CS 25.351, considering the requirements for:

(a) Loads parallel to hinge line, in CS 25.393;

(b) Pilot effort effects, in CS 25.397;

(c) Trim tab effects, in CS 25.407;

(d) Unsymmetrical loads, in CS 25.427; and

(e) Auxiliary aerodynamic surfaces, in CS 25.445.

[Amdt. No.: 25/1]

CS 25.393 Loads parallel to hinge line

(a) Control surfaces and supporting hinge brackets must be designed for inertia loads acting parallel to the hinge line. (See AMC 25.393 (a).)

(b) In the absence of more rational data, the inertia loads may be assumed to be equal to KW , where –

(1) $K = 24$ for vertical surfaces;

(2) $K = 12$ for horizontal surfaces; and

(3) W = weight of the movable surfaces.

CS 25.395 Control system

(a) Longitudinal, lateral, directional and drag control systems and their supporting structures must be designed for loads corresponding to 125% of the computed hinge moments of the movable control surface in the conditions prescribed in CS 25.391.

(b) The system limit loads of paragraph (a) need not exceed the loads that can be produced by the pilot (or pilots) and by automatic or power devices operating the controls.

(c) The loads must not be less than those resulting from application of the minimum forces prescribed in CS 25.397 (c).

CS 25.397 Control system loads

(a) *General.* The maximum and minimum pilot forces, specified in sub-paragraph (c) of this paragraph, are assumed to act at the appropriate control grips or pads (in a manner simulating flight conditions) and to be reacted at the attachment of the control system to the control surface horn.

(b) *Pilot effort effects.* In the control surface flight loading condition, the air loads on movable surfaces and the corresponding deflections need not exceed those that would result in flight from the application of any pilot force within the ranges specified in sub-paragraph (c) of this paragraph. Two-thirds of the maximum values specified for the aileron and elevator may be used if control surface hinge moments are based on reliable data. In applying this criterion, the effects of servo mechanisms, tabs, and automatic pilot systems, must be considered.

(c) *Limit pilot forces and torques.* The limit pilot forces and torques are as follows:

Control	Maximum forces or torques	Minimum forces or torques
Aileron: Stick Wheel*	445 N (100 lbf) 356 DNm (80 D in.lb)**	178 N (40 lbf) 178 DNm (40 D in.lb)
Elevator: Stick Wheel (symmetrical) Wheel (unsymmetrical) †	1112 N (250 lbf) 1335N(300 lbf)	445 N (100 lbf) 445 N(100 lbf) 445 N (100 lbf)
Rudder	1335 N (300 lbf)	578 N 130 lbf

*The critical parts of the aileron control system must be designed for a single tangential force with a limit value equal to 1.25 times the couple force determined from these criteria.

**D = wheel diameter in m (inches)

†The unsymmetrical forces must be applied at one of the normal handgrip points on the periphery of the control wheel.

(d) For aeroplanes equipped with side stick controls, designed for forces to be applied by one wrist and not by the arms, the limit pilot forces are as follows:

(1) For all components between and including the handle and its control stops:

PITCH		ROLL	
Nose up	890 N (200 lbf)	Nose left	445 N (100lbf)
Nose down	890 N (200 lbf)	Nose right	445 N (100 lbf)

(2) For all other components of the side stick control assembly, but excluding the internal components of the electrical sensor assemblies, to avoid damage as a result of an in-flight jam:

PITCH		ROLL	
Nose up	556 N (125 lbf)	Nose left	222 N (50 lbf)
Nose down	556 N (125 lbf)	Nose right	222 N (50 lbf)

[Amdt No: 25/13]

CS 25.399 Dual control system

(a) Each dual control system must be designed for the pilots operating in opposition, using individual pilot forces not less than –

- (1) 0.75 times those obtained under CS 25.395; or
- (2) The minimum forces specified in CS 25.397 (c).

(b) The control system must be designed for pilot forces applied in the same direction, using individual pilot forces not less than 0.75 times those obtained under CS 25.395.

[Amdt No: 25/2]

CS 25.405 Secondary control system

Secondary controls, such as wheel brake, spoiler, and tab controls, must be designed for the maximum forces that a pilot is likely to apply to those controls. The following values may be used:

PILOT CONTROL FORCE LIMITS (SECONDARY CONTROLS).

Control	Limit pilot forces
Miscellaneous: *Crank, wheel, or lever.	$\left(\frac{25.4 + R}{76.2} \right) \times 222 \text{ N (50 lbf)}$, but not less than 222 N (50 lbf) nor more than 667 N (150 lbf) (R = radius in mm). (Applicable to any angle within 20° of plane of control).
Twist	15 Nm (133 in.lb)
Push-pull	To be chosen by applicant.

* Limited to flap, tab, stabiliser, spoiler, and landing gear operation controls.

[Amdt. No.: 25/3]

CS 25.407 Trim tab effects

The effects of trim tabs on the control surface design conditions must be accounted for only where the surface loads are limited by maximum pilot effort. In these cases, the tabs are considered to be deflected in the direction that would assist the pilot, and the deflections are –

(a) For elevator trim tabs, those required to trim the aeroplane at any point within the positive portion of the pertinent flight envelope in CS 25.333 (b), except as limited by the stops; and

(b) For aileron and rudder trim tabs, those required to trim the aeroplane in the critical unsymmetrical power and loading conditions, with appropriate allowance for rigging tolerances.

CS 25.409 Tabs

(a) *Trim tabs.* Trim tabs must be designed to withstand loads arising from all likely combinations of tab setting, primary control position, and aeroplane speed (obtainable without exceeding the flight load conditions prescribed for the aeroplane as a whole), when the effect of the tab is opposed by pilot effort forces up to those specified in CS 25.397 (b).

(b) *Balancing tabs.* Balancing tabs must be designed for deflections consistent with the primary control surface loading conditions.

(c) *Servo tabs.* Servo tabs must be designed for deflections consistent with the primary control surface loading conditions obtainable within the pilot manoeuvring effort, considering possible opposition from the trim tabs.

CS 25.415 Ground gust conditions

(a) The flight control systems and surfaces must be designed for the limit loads generated when the aircraft is subjected to a horizontal 33.44 m/sec (65 knots) ground gust from any direction, while taxiing with the controls locked and unlocked and while parked with the controls locked.

(b) The control system and surface loads due to ground gust may be assumed to be static loads and the hinge moments H, in Newton metres (foot pounds), must be computed from the formula:

$$H = K \frac{1}{2} \rho_0 V^2 c S$$

where:

K = hinge moment factor for ground gusts derived in subparagraph (c) of this paragraph

ρ_0 = density of air at sea level = 1.225 (kg/m³) (0.0023769 (slugs/ft³) = 0.0023769 (lb-sec²/ft⁴))

V = 33.44 m/sec (65 knots = 109.71 fps) relative to the aircraft

S = area of the control surface aft of the hinge line (m²) (ft²)

c = mean aerodynamic chord of the control surface aft of the hinge line (m) (ft)

(c) The hinge moment factor K for ground gusts must be taken from the following table:

Surface	K	Position of controls
(a) Aileron	0.75	Control column locked or lashed in mid-position.
(b) Aileron	*±0.50	
(c) Elevator	*±0.75	Ailerons at full throw.
(d) Elevator	*±0.75	Elevator full down.
(e) Rudder	0.75	Elevator full up.
(f) Rudder	0.75	Rudder in neutral.
		Rudder at full throw.

* A positive value of K indicates a moment tending to depress the surface, while a negative value of K indicates a moment tending to raise the surface.

(d) The computed hinge moment of subparagraph (b) must be used to determine the limit loads due to ground gust conditions for the control surface. A 1.25 factor on the computed hinge moments must be used in calculating limit control system loads.

(e) Where control system flexibility is such that the rate of load application in the ground gust conditions might produce transient stresses appreciably higher than those corresponding to static loads, in the absence of a rational analysis an additional factor of 1.60 must be applied to the control system loads of subparagraph (d) to obtain limit loads. If a rational analysis is used, the additional factor must not be less than 1.20.

(f) For the condition of the control locks engaged, the control surfaces, the control system locks and the parts of the control systems (if any) between the surfaces and the locks must be designed to the respective resultant limit loads. Where control locks are not provided then the control surfaces, the control system stops nearest the surfaces and

the parts of the control systems (if any) between the surfaces and the stops must be designed to the resultant limit loads. If the control system design is such as to allow any part of the control system to impact with the stops due to flexibility, then the resultant impact loads must be taken into account in deriving the limit loads due to ground gust.

(g) For the condition of taxiing with the control locks disengaged, the following apply:

(1) The control surfaces, the control system stops nearest the surfaces and the parts of the control systems (if any) between the surfaces and the stops must be designed to the resultant limit loads.

(2) The parts of the control systems between the stops nearest the surfaces and the cockpit controls must be designed to the resultant limit loads, except that the parts of the control system where loads are eventually reacted by the pilot need not exceed:

(i) The loads corresponding to the maximum pilot loads in CS 25.397(c) for each pilot alone; or

(ii) 0.75 times these maximum loads for each pilot when the pilot forces are applied in the same direction

CS 25.427 Unsymmetrical loads

(a) In designing the aeroplane for lateral gust, yaw manoeuvre and roll manoeuvre conditions, account must be taken of unsymmetrical loads on the empennage arising from effects such as slipstream and aerodynamic interference with the wing, vertical fin and other aerodynamic surfaces.

(b) The horizontal tail must be assumed to be subjected to unsymmetrical loading conditions determined as follows:

(1) 100% of the maximum loading from the symmetrical manoeuvre conditions of CS 25.331 and the vertical gust conditions of CS 25.341(a) acting separately on the surface on one side of the plane of symmetry; and

(2) 80% of these loadings acting on the other side.

(c) For empennage arrangements where the horizontal tail surfaces have dihedral angles greater than plus or minus 10 degrees, or are supported by the vertical tail surfaces, the surfaces and the supporting structure must be

designed for gust velocities specified in CS 25.341(a) acting in any orientation at right angles to the flight path.

(d) Unsymmetrical loading on the empennage arising from buffet conditions of CS 25.305(e) must be taken into account.

[Amdt. No.: 25/1]

CS 25.445 Outboard fins

(a) When significant, the aerodynamic influence between auxiliary aerodynamic surfaces, such as outboard fins and winglets, and their supporting aerodynamic surfaces must be taken into account for all loading conditions including pitch, roll and yaw manoeuvres, and gusts as specified in CS 25.341(a) acting at any orientation at right angles to the flight path.

(b) To provide for unsymmetrical loading when outboard fins extend above and below the horizontal surface, the critical vertical surface loading (load per unit area) determined under CS 25.391 must also be applied as follows:

(1) 100% to the area of the vertical surfaces above (or below) the horizontal surface.

(2) 80% to the area below (or above) the horizontal surface.

CS 25.457 Wing-flaps

Wing flaps, their operating mechanisms, and their supporting structures must be designed for critical loads occurring in the conditions prescribed in CS 25.345, accounting for the loads occurring during transition from one wing-flap position and airspeed to another.

CS 25.459 Special devices

The loading for special devices using aerodynamic surfaces (such as slots, slats and spoilers) must be determined from test data.

GROUND LOADS

CS 25.471 General

(a) *Loads and equilibrium.* For limit ground loads –

(1) Limit ground loads obtained under this Subpart are considered to be external

forces applied to the aeroplane structure;
and

(2) In each specified ground load condition, the external loads must be placed in equilibrium with the linear and angular inertia loads in a rational or conservative manner.

(b) *Critical centres of gravity.* The critical centres of gravity within the range for which certification is requested must be selected so that the maximum design loads are obtained in each landing gear element. Fore and aft, vertical, and lateral aeroplane centres of gravity must be considered. Lateral displacements of the centre of gravity from the aeroplane centreline which would result in main gear loads not greater than 103% of the critical design load for symmetrical loading conditions may be selected without considering the effects of these lateral centre of gravity displacements on the loading of the main gear elements, or on the aeroplane structure provided –

(1) The lateral displacement of the centre of gravity results from random passenger or cargo disposition within the fuselage or from random unsymmetrical fuel loading or fuel usage; and

(2) Appropriate loading instructions for random disposable loads are included under the provisions of CS 25.1583 (c) (1) to ensure that the lateral displacement of the centre of gravity is maintained within these limits.

(c) *Landing gear dimension data.* Figure 1 of Appendix A contains the basic landing gear dimension data.

CS 25.473 Landing load conditions and assumptions

(a) For the landing conditions specified in CS 25.479 to 25.485, the aeroplane is assumed to contact the ground:

(1) In the attitudes defined in CS 25.479 and CS 25.481.

(2) With a limit descent velocity of 3.05 m/sec (10 fps) at the design landing weight (the maximum weight for landing conditions at maximum descent velocity); and

(3) With a limit descent velocity of 1.83 m/sec (6 fps) at the design take-off weight (the maximum weight for landing conditions at a reduced descent velocity).

(4) The prescribed descent velocities may be modified if it is shown that the aeroplane has design features that make it impossible to develop these velocities.

(b) Aeroplane lift, not exceeding aeroplane weight, may be assumed, unless the presence of systems or procedures significantly affects the lift.

(c) The method of analysis of aeroplane and landing gear loads must take into account at least the following elements:

(1) Landing gear dynamic characteristics.

(2) Spin-up and spring back.

(3) Rigid body response.

(4) Structural dynamic response of the airframe, if significant.

(d) The landing gear dynamic characteristics must be validated by tests as defined in CS 25.723(a).

(e) The coefficient of friction between the tyres and the ground may be established by considering the effects of skidding velocity and tyre pressure. However, this coefficient of friction need not be more than 0.8.

CS 25.477 Landing gear arrangement

CS 25.479 to 25.485 apply to aeroplanes with conventional arrangements of main and nose gears, or main and tail gears, when normal operating techniques are used.

CS 25.479 Level landing conditions

(a) In the level attitude, the aeroplane is assumed to contact the ground at forward velocity components, ranging from V_{L1} to $1.25 V_{L2}$ parallel to the ground under the conditions prescribed in CS 25.473 with:

(1) V_{L1} equal to V_{S0} (TAS) at the appropriate landing weight and in standard sea-level conditions; and

(2) V_{L2} , equal to V_{S0} (TAS) at the appropriate landing weight and altitudes in a hot day temperature of 22.8°C (41°F) above standard.

(3) The effects of increased contact speed must be investigated if approval of downwind landings exceeding 19 km/h (10 knots) is requested.

(b) For the level landing attitude for aeroplanes with tail wheels, the conditions specified in this paragraph must be investigated with the aeroplane horizontal reference line horizontal in accordance with Figure 2 of Appendix A of CS -25.

(c) For the level landing attitude for aeroplanes with nose wheels, shown in Figure 2 of Appendix A of CS -25, the conditions specified in this paragraph must be investigated assuming the following attitudes:

(1) An attitude in which the main wheels are assumed to contact the ground with the nose wheel just clear of the ground; and

(2) If reasonably attainable at the specified descent and forward velocities an attitude in which the nose and main wheels are assumed to contact the ground simultaneously.

(d) In addition to the loading conditions prescribed in sub-paragraph (a) of this paragraph, but with maximum vertical ground reactions calculated from paragraph (a), the following apply:

(1) The landing gear and directly affected structure must be designed for the maximum vertical ground reaction combined with an aft acting drag component of not less than 25% of this maximum vertical ground reaction.

(2) The most severe combination of loads that are likely to arise during a lateral drift landing must be taken into account. In absence of a more rational analysis of this condition, the following must be investigated:

(i) A vertical load equal to 75% of the maximum ground reaction of CS 25.473(a)(2) must be considered in combination with a drag and side load of 40% and 25%, respectively, of that vertical load.

(ii) The shock absorber and tyre deflections must be assumed to be 75% of the deflection corresponding to the maximum ground reaction of CS 25.473(a)(2). This load case need not be considered in combination with flat tyres.

(3) The combination of vertical and drag components is considered to be acting at the wheel axle centreline.

CS 25.481 Tail-down landing conditions

(a) In the tail-down attitude, the aeroplane is assumed to contact the ground at forward velocity components, ranging from V_{L1} to V_{L2} , parallel to the ground under the conditions prescribed in CS 25.473 with:

(1) V_{L1} equal to V_{S0} (TAS) at the appropriate landing weight and in standard sea-level conditions; and

(2) V_{L2} equal to V_{S0} (TAS) at the appropriate landing weight and altitudes in a hot-day temperature of 22.8°C (41°F) above standard.

The combination of vertical and drag components is considered to be acting at the main wheel axle centreline.

(b) For the tail-down landing condition for aeroplanes with tail wheels, the main and tail wheels are assumed to contact the ground simultaneously, in accordance with Figure 3 of Appendix A. Ground reaction conditions on the tail wheel are assumed to act –

(1) Vertically; and

(2) Up and aft through the axle at 45° to the ground line.

(c) For the tail-down landing condition for aeroplanes with nose wheels, the aeroplane is assumed to be at an attitude corresponding to either the stalling angle or the maximum angle allowing clearance with the ground by each part of the aeroplane other than the main wheels, in accordance with Figure 3 of Appendix A, whichever is less.

CS 25.483 One-gear landing conditions

For the one-gear landing conditions, the aeroplane is assumed to be in the level attitude and to contact the ground on one main landing gear, in accordance with Figure 4 of Appendix A of CS -25. In this attitude –

(a) The ground reactions must be the same as those obtained on that side under CS 25.479(d)(1), and

(b) Each unbalanced external load must be reacted by aeroplane inertia in a rational or conservative manner.

CS 25.485 Side load conditions

In addition to CS 25.479(d)(2) the following conditions must be considered:

(a) For the side load condition, the aeroplane is assumed to be in the level attitude with only the main wheels contacting the ground, in accordance with Figure 5 of Appendix A.

(b) Side loads of 0.8 of the vertical reaction (on one side) acting inward and 0.6 of the vertical reaction (on the other side) acting outward must be combined with one-half of the maximum vertical ground reactions obtained in the level landing conditions. These loads are assumed to be applied at the ground contact point and to be resisted by the inertia of the aeroplane. The drag loads may be assumed to be zero.

CS 25.487 Rebound landing condition

(a) The landing gear and its supporting structure must be investigated for the loads occurring during rebound of the aeroplane from the landing surface.

(b) With the landing gear fully extended and not in contact with the ground, a load factor of 20.0 must act on the unsprung weights of the landing gear. This load factor must act in the direction of motion of the unsprung weights as they reach their limiting positions in extending with relation to the sprung parts of the landing gear.

CS 25.489 Ground handling conditions

Unless otherwise prescribed, the landing gear and aeroplane structure must be investigated for the conditions in CS 25.491 to 25.509 with the aeroplane at the design ramp weight (the maximum weight for ground handling conditions). No wing lift may be considered. The shock absorbers and tyres may be assumed to be in their static position.

CS 25.491 Taxi, takeoff and landing roll

Within the range of appropriate ground speeds and approved weights, the aeroplane structure and landing gear are assumed to be subjected to loads not less than those obtained when the aircraft is operating over the roughest ground that may reasonably be expected in normal operation. (See AMC 25.491.)

CS 25.493 Braked roll conditions

(a) An aeroplane with a tail wheel is assumed to be in the level attitude with the load on the main wheels, in accordance with Figure 6 of Appendix A. The limit vertical load factor is 1.2 at the design landing weight, and 1.0 at the design ramp weight. A drag reaction equal to the vertical reaction multiplied by a coefficient of friction of 0.8, must be combined with the vertical ground reaction and applied at the ground contact point.

(b) For an aeroplane with a nose wheel, the limit vertical load factor is 1.2 at the design landing weight, and 1.0 at the design ramp weight. A drag reaction equal to the vertical reaction, multiplied by a coefficient of friction of 0.8, must be combined with the vertical reaction and applied at the ground contact point of each wheel with brakes. The following two attitudes, in accordance with Figure 6 of Appendix A, must be considered:

(1) The level attitude with the wheels contacting the ground and the loads distributed between the main and nose gear. Zero pitching acceleration is assumed.

(2) The level attitude with only the main gear contacting the ground and with the pitching moment resisted by angular acceleration.

(c) A drag reaction lower than that prescribed in this paragraph may be used if it is substantiated that an effective drag force of 0.8 times the vertical reaction cannot be attained under any likely loading condition.

(d) An aeroplane equipped with a nose gear must be designed to withstand the loads arising from the dynamic pitching motion of the aeroplane due to sudden application of maximum braking force. The aeroplane is considered to be at design takeoff weight with the nose and main gears in contact with the ground, and with a steady state vertical load factor of 1.0. The steady state nose gear reaction must be combined with the maximum incremental nose gear vertical reaction caused by sudden application of maximum braking force as described in sub-paragraphs (b) and (c) of this paragraph.

(e) In the absence of a more rational analysis, the nose gear vertical reaction prescribed in sub-paragraph (d) of this paragraph must be calculated in accordance with the following formula:

$$V_N = \frac{W_T}{A+B} \left\{ B + \frac{f\mu AE}{A+B+\mu E} \right\}$$

Where:

- V_N = Nose gear vertical reaction
 W_T = Design take-off weight
 A = Horizontal distance between the c.g. of the aeroplane and the nose wheel.
 B = Horizontal distance between the c.g. of the aeroplane and the line joining the centres of the main wheels.
 E = Vertical height of the c.g. of the aeroplane above the ground in the 1.0 g static condition.
 μ = Coefficient of friction of 0.8.
 f = Dynamic response factor; 2.0 is to be used unless a lower factor is substantiated.

In the absence of other information, the dynamic response factor f may be defined by the equation.

$$f = 1 + \exp \left[\frac{-\pi\xi}{\sqrt{1 - \xi^2}} \right]$$

Where: ξ is the critical damping ratio of the rigid body pitching mode about the main landing gear effective ground contact point.

CS 25.495 Turning

In the static position, in accordance with Figure 7 of Appendix A, the aeroplane is assumed to execute a steady turn by nose gear steering, or by application of sufficient differential power, so that the limit load factors applied at the centre of gravity are 1.0 vertically and 0.5 laterally. The side ground reaction of each wheel must be 0.5 of the vertical reaction.

CS 25.497 Tail-wheel yawing

(a) A vertical ground reaction equal to the static load on the tail wheel, in combination with a side component of equal magnitude, is assumed.

(b) If there is a swivel, the tail wheel is assumed to be swivelled 90° to the aeroplane longitudinal axis with the resultant load passing through the axle.

(c) If there is a lock, steering device, or shimmy damper the tail wheel is also assumed to be in the trailing position with the side load acting at the ground contact point.

CS 25.499 Nose-wheel yaw and steering

(a) A vertical load factor of 1.0 at the aeroplane centre of gravity, and a side component at the nose wheel ground contact equal to 0.8 of the vertical ground reaction at that point are assumed.

(b) With the aeroplane assumed to be in static equilibrium with the loads resulting from the use of brakes on one side of the main landing gear, the nose gear, its attaching structure, and the fuselage structure forward of the centre of gravity must be designed for the following loads:

(1) A vertical load factor at the centre of gravity of 1.0.

(2) A forward acting load at the aeroplane centre of gravity of 0.8 times the vertical load on one main gear.

(3) Side and vertical loads at the ground contact point on the nose gear that are required for static equilibrium.

(4) A side load factor at the aeroplane centre of gravity of zero.

(c) If the loads prescribed in sub-paragraph (b) of this paragraph result in a nose gear side load higher than 0.8 times the vertical nose gear load, the design nose gear side load may be limited to 0.8 times the vertical load, with unbalanced yawing moments assumed to be resisted by aeroplane inertia forces.

(d) For other than the nose gear, its attaching structure, and the forward fuselage structure the loading conditions are those prescribed in sub-paragraph (b) of this paragraph, except that –

(1) A lower drag reaction may be used if an effective drag force of 0.8 times the vertical reaction cannot be reached under any likely loading condition; and

(2) The forward acting load at the centre of gravity need not exceed the maximum drag reaction on one main gear, determined in accordance with CS 25.493 (b).

(e) With the aeroplane at design ramp weight, and the nose gear in any steerable position, the combined application of full normal steering torque and vertical force equal to 1.33 times the maximum static reaction on the nose gear must be considered in designing the nose

gear, its attaching structure and the forward fuselage structure.

CS 25.503 Pivoting

(a) The aeroplane is assumed to pivot about one side of the main gear with the brakes on that side locked. The limit vertical load factor must be 1.0 and the coefficient of friction 0.8.

(b) The aeroplane is assumed to be in static equilibrium, with the loads being applied at the ground contact points, in accordance with Figure 8 of Appendix A.

CS 25.507 Reversed braking

(a) The aeroplane must be in a three point static ground attitude. Horizontal reactions parallel to the ground and directed forward must be applied at the ground contact point of each wheel with brakes. The limit loads must be equal to 0.55 times the vertical load at each wheel or to the load developed by 1.2 times the nominal maximum static brake torque, whichever is less.

(b) For aeroplanes with nose wheels, the pitching moment must be balanced by rotational inertia.

(c) For aeroplanes with tail wheels, the resultant of the ground reactions must pass through the centre of gravity of the aeroplane.

CS 25.509 Towing Loads (See AMC 25.509)

(a) The towing loads specified in subparagraph (d) of this paragraph must be considered separately. These loads must be applied at the towing fittings and must act parallel to the ground. In addition –

(1) A vertical load factor equal to 1.0 must be considered acting at the centre of gravity;

(2) The shock struts and tyres must be in their static positions; and

(3) With W_T as the design ramp weight, the towing load, F_{TOW} is –

(i) $0.3 W_T$ for W_T less than 30 000 pounds;

(ii) $\frac{6W_T + 450\,000}{70}$ for W_T

between 30 000 and 100 000 pounds; and

(iii) $0.15 W_T$ for W_T over 100 000 pounds.

(b) For towing points not on the landing gear but near the plane of symmetry of the aeroplane, the drag and side tow load components specified for the auxiliary gear apply. For towing points located outboard of the main gear, the drag and side tow load components specified for the main gear apply. Where the specified angle of swivel cannot be reached, the maximum obtainable angle must be used.

(c) The towing loads specified in subparagraph (d) of this paragraph must be reacted as follows:

(1) The side component of the towing load at the main gear must be reacted by a side force at the static ground line of the wheel to which the load is applied.

(2) The towing loads at the auxiliary gear and the drag components of the towing loads at the main gear must be reacted as follows:

(i) A reaction with a maximum value equal to the vertical reaction must be applied at the axle of the wheel to which the load is applied. Enough aeroplane inertia to achieve equilibrium must be applied.

(ii) The loads must be reacted by aeroplane inertia.

(d) The prescribed towing loads are as specified in the following Table:

Tow Point	Position	Load		
		Magnitude	No.	Direction
Main gear		0.75 F_{TOW} per main gear unit	1 2 3 4	Forward, parallel to drag axis Forward, at 30° to drag axis Aft, parallel to drag axis Aft, at 30° to drag axis
Auxiliary gear	Swivelled forward	1.0 F_{TOW}	5 6	Forward Aft
	Swivelled aft		7 8	Forward Aft
	Swivelled 45° from forward	0.5 F_{TOW}	9 10	Forward, in plane of wheel Aft, in plane of wheel
	Swivelled 45° from aft		11 12	Forward, in plane of wheel Aft, in plane of wheel

[Amdt No: 25/13]

CS 25.511 Ground load: unsymmetrical loads on multiple-wheel units

(a) *General.* Multiple-wheel landing gear units are assumed to be subjected to the limit ground loads prescribed in this Subpart under sub-paragraphs (b) through (f) of this paragraph. In addition –

(1) A tandem strut gear arrangement is a multiple-wheel unit; and

(2) In determining the total load on a gear unit with respect to the provisions of sub-paragraphs (b) through (f) of this paragraph, the transverse shift in the load centroid, due to unsymmetrical load distribution on the wheels, may be neglected.

(b) *Distribution of limit loads to wheels; tyres inflated.* The distribution of the limit loads among the wheels of the landing gear must be established for each landing, taxiing, and ground handling condition, taking into account the effects of the following factors:

(1) The number of wheels and their physical arrangements. For truck type landing gear units, the effects of any see-saw motion of the truck during the landing impact must be considered in determining the maximum design loads for the fore and aft wheel pairs.

(2) Any differentials in tyre diameters resulting from a combination of manufacturing tolerances, tyre growth, and tyre wear. A maximum tyre-diameter differential equal to two-thirds of the most

unfavourable combination of diameter variations that is obtained when taking into account manufacturing tolerances, tyre growth and tyre wear, may be assumed.

(3) Any unequal tyre inflation pressure, assuming the maximum variation to be $\pm 5\%$ of the nominal tyre inflation pressure.

(4) A runway crown of zero and a runway crown having a convex upward shape that may be approximated by a slope of 1.5% with the horizontal. Runway crown effects must be considered with the nose gear unit on either slope of the crown.

(5) The aeroplane attitude.

(6) Any structural deflections.

(c) *Deflated tyres.* The effect of deflated tyres on the structure must be considered with respect to the loading conditions specified in sub-paragraphs (d) through (f) of this paragraph, taking into account the physical arrangement of the gear components. In addition –

(1) The deflation of any one tyre for each multiple wheel landing gear unit, and the deflation of any two critical tyres for each landing gear unit using four or more wheels per unit, must be considered; and

(2) The ground reactions must be applied to the wheels with inflated tyres except that, for multiple-wheel gear units with more than one shock strut, a rational distribution of the ground reactions between the deflated and inflated tyres, accounting for

the differences in shock strut extensions resulting from a deflated tyre, may be used.

(d) *Landing conditions.* For one and for two deflated tyres, the applied load to each gear unit is assumed to be 60% and 50%, respectively, of the limit load applied to each gear for each of the prescribed landing conditions. However, for the drift landing condition of CS 25.485, 100% of the vertical load must be applied.

(e) *Taxying and ground handling conditions.* For one and for two deflated tyres –

(1) The applied side or drag load factor, or both factors, at the centre of gravity must be the most critical value up to 50% and 40%, respectively, of the limit side or drag load factors, or both factors, corresponding to the most severe condition resulting from consideration of the prescribed taxying and ground handling conditions.

(2) For the braked roll conditions of CS 25.493 (a) and (b) (2), the drag loads on each inflated tyre may not be less than those at each tyre for the symmetrical load distribution with no deflated tyres;

(3) The vertical load factor at the centre of gravity must be 60% and 50% respectively, of the factor with no deflated tyres, except that it may not be less than 1 g; and

(4) Pivoting need not be considered.

(f) *Towing conditions.* For one and for two deflated tyres, the towing load, F_{TOW} , must be 60% and 50% respectively, of the load prescribed.

CS 25.519 Jacking and tie-down provisions

(a) *General.* The aeroplane must be designed to withstand the limit load conditions resulting from the static ground load conditions of sub-paragraph (b) of this paragraph and, if applicable, sub-paragraph (c) of this paragraph at the most critical combinations of aeroplane weight and centre of gravity. The maximum allowable load at each jack pad must be specified.

(b) *Jacking.* The aeroplane must have provisions for jacking and must withstand the following limit loads when the aeroplane is supported on jacks:

(1) For jacking by the landing gear at the maximum ramp weight of the aeroplane, the aeroplane structure must be designed for a vertical load of 1.33 times the vertical static reaction at each jacking point acting singly and in combination with a horizontal load of 0.33 times the vertical static reaction applied in any direction.

(2) For jacking by other aeroplane structure at maximum approved jacking weight:

(i) The aeroplane structure must be designed for a vertical load of 1.33 times the vertical reaction at each jacking point acting singly and in combination with a horizontal load of 0.33 times the vertical static reaction applied in any direction.

(ii) The jacking pads and local structure must be designed for a vertical load of 2.0 times the vertical static reaction at each jacking point, acting singly and in combination with a horizontal load of 0.33 times the vertical static reaction applied in any direction.

(c) *Tie-down.* If tie-down points are provided, the main tie-down points and local structure must withstand the limit loads resulting from a 120 km/h (65-knot) horizontal wind from any direction.

EMERGENCY LANDING CONDITIONS

CS 25.561

General

(See AMC 25.561.)

(a) The aeroplane, although it may be damaged in emergency landing conditions on land or water, must be designed as prescribed in this paragraph to protect each occupant under those conditions.

(b) The structure must be designed to give each occupant every reasonable chance of escaping serious injury in a minor crash landing when –

(1) Proper use is made of seats, belts, and all other safety design provisions;

(2) The wheels are retracted (where applicable); and

(3) The occupant experiences the following ultimate inertia forces acting

separately relative to the surrounding structure:

- (i) Upward, 3-0g
- (ii) Forward, 9-0g
- (iii) Sideward, 3-0g on the airframe and 4-0g on the seats and their attachments
- (iv) Downward, 6-0g
- (v) Rearward, 1-5g (See AMC 25.561 (b) (3).)

(c) For equipment, cargo in the passenger compartments and any other large masses, the following apply:

(1) These items must be positioned so that if they break loose they will be unlikely to:

- (i) Cause direct injury to occupants;
- (ii) Penetrate fuel tanks or lines or cause fire or explosion hazard by damage to adjacent systems; or
- (iii) Nullify any of the escape facilities provided for use after an emergency landing.

(2) When such positioning is not practical (e.g. fuselage mounted engines or auxiliary power units) each such item of mass must be restrained under all loads up to those specified in sub-paragraph (b)(3) of this paragraph. The local attachments for these items should be designed to withstand 1.33 times the specified loads if these items are subject to severe wear and tear through frequent removal (e.g. quick change interior items).

(d) Seats and items of mass (and their supporting structure) must not deform under any loads up to those specified in sub-paragraph (b)(3) of this paragraph in any manner that would impede subsequent rapid evacuation of occupants. (See AMC 25.561(d).)

**CS 25.562 Emergency landing
 dynamic conditions**

(a) The seat and restraint system in the aeroplane must be designed as prescribed in this paragraph to protect each occupant during an emergency landing condition when –

(1) Proper use is made of seats, safety belts, and shoulder harnesses provided for in the design; and

(2) The occupant is exposed to loads resulting from the conditions prescribed in this paragraph.

(b) With the exception of flight deck crew seats, each seat type design approved for occupancy must successfully complete dynamic tests or be demonstrated by rational analysis based on dynamic tests of a similar type seat, in accordance with each of the following emergency landing conditions. The tests must be conducted with an occupant simulated by a 77kg_ (170 lb anthropomorphic, test dummy sitting in the normal upright position:

(1) A change in downward vertical velocity, (Δv) of not less than 10.7 m/s, (35 ft/s) with the aeroplane's longitudinal axis canted downward 30 degrees with respect to the horizontal plane and with the wings level. Peak floor deceleration must occur in not more than 0.08 seconds after impact and must reach a minimum of 14 g.

(2) A change in forward longitudinal velocity (Δv) of not less than 13.4 m/s, (44 ft/s) with the aeroplane's longitudinal axis horizontal and yawed 10 degrees either right or left, whichever would cause the greatest likelihood of the upper torso restraint system (where installed) moving off the occupant's shoulder, and with the wings level. Peak floor deceleration must occur in not more than 0.09 seconds after impact and must reach a minimum of 16 g. Where floor rails or floor fittings are used to attach the seating devices to the test fixture, the rails or fittings must be misaligned with respect to the adjacent set of rails or fittings by at least 10 degrees vertically (i.e. out of parallel) with one rolled 10 degrees.

(c) The following performance measures must not be exceeded during the dynamic tests conducted in accordance with sub-paragraph (b) of this paragraph:

(1) Where upper torso straps are used tension loads in individual straps must not exceed 794 kg.(1750lb) If dual straps are used for restraining the upper torso, the total strap tension loads must not exceed 907kg_(2000 lb)).

(2) The maximum compressive load measured between the pelvis and the lumbar

column of the anthropomorphic dummy must not exceed 680 kg. (1500lb)

(3) The upper torso restraint straps (where installed) must remain on the occupant's shoulder during the impact.

(4) The lap safety belt must remain on the occupant's pelvis during the impact.

(5) Each occupant must be protected from serious head injury under the conditions prescribed in sub-paragraph (b) of this paragraph. Where head contact with seats or other structure can occur, protection must be provided so that the head impact does not exceed a Head Injury Criterion (HIC) of 1000 units. The level of HIC is defined by the equation –

$$HIC = \left\{ (t_2 - t_1) \left[\frac{1}{(t_2 - t_1)} \int_{t_1}^{t_2} a(t) dt \right]^{2.5} \right\}_{\max}$$

Where –

t_1 is the initial integration time,

t_2 is the final integration time, and

$a(t)$ is the total acceleration vs. time curve for the head strike, and where

t is in seconds, and a is in units of gravity (g).

(6) Where leg injuries may result from contact with seats or other structure, protection must be provided to prevent axially compressive loads exceeding 1021 kg (2250 lb) in each femur.

(7) The seat must remain attached at all points of attachment, although the structure may have yielded.

(8) Seats must not yield under the tests specified in sub-paragraphs (b)(1) and (b)(2) of this paragraph to the extent they would impede rapid evacuation of the aeroplane occupants.

CS 25.563 Structural ditching provisions

Structural strength considerations of ditching provisions must be in accordance with CS 25.801 (e).

FATIGUE EVALUATION

CS 25.571 Damage-tolerance and fatigue evaluation of structure

(a) *General.* An evaluation of the strength, detail design, and fabrication must show that catastrophic failure due to fatigue, corrosion, or accidental damage, will be avoided throughout the operational life of the aeroplane. This evaluation must be conducted in accordance with the provisions of sub-paragraphs (b) and (e) of this paragraph, except as specified in sub-paragraph (c) of this paragraph, for each part of the structure which could contribute to a catastrophic failure (such as wing, empennage, control surfaces and their systems, the fuselage, engine mounting, landing gear, and their related primary attachments). (See AMC 25.571 (a), (b) and (e).) For turbine engine powered aeroplanes, those parts which could contribute to a catastrophic failure must also be evaluated under sub-paragraph (d) of this paragraph. In addition, the following apply:

(1) Each evaluation required by this paragraph must include –

(i) The typical loading spectra, temperatures, and humidities expected in service;

(ii) The identification of principal structural elements and detail design points, the failure of which could cause catastrophic failure of the aeroplane; and

(iii) An analysis, supported by test evidence, of the principal structural elements and detail design points identified in sub-paragraph (a) (1) (ii) of this paragraph.

(2) The service history of aeroplanes of similar structural design, taking due account of differences in operating conditions and procedures, may be used in the evaluations required by this paragraph.

(3) Based on the evaluations required by this paragraph, inspections or other procedures must be established as necessary to prevent catastrophic failure, and must be included in the Airworthiness Limitations Section of the Instructions for Continued Airworthiness required by CS 25.1529.

(b) *Damage-tolerance (fail-safe) evaluation.* The evaluation must include a determination of the probable locations and modes of damage due to fatigue, corrosion, or accidental damage. The determination must be by analysis supported by test evidence and (if available) service experience. Damage at multiple sites due to prior fatigue exposure must be included where the design is such that this type of damage can be expected to occur. The evaluation must incorporate repeated load and static analyses supported by test evidence. The extent of damage for residual strength evaluation at any time within the operational life must be consistent with the initial detectability and subsequent growth under repeated loads. The residual strength evaluation must show that the remaining structure is able to withstand loads (considered as static ultimate loads) corresponding to the following conditions:

(1) The limit symmetrical manoeuvring conditions specified in CS 25.337 up to V_C and in CS 25.345.

(2) The limit gust conditions specified in CS 25.341 at the specified speeds up to V_C and in CS 25.345.

(3) The limit rolling conditions specified in CS 25.349 and the limit unsymmetrical conditions specified in CS 25.367 and CS 25.427(a) through (c), at speeds up to V_C .

(4) The limit yaw manoeuvring conditions specified in CS 25.351 at the specified speeds up to V_C .

(5) For pressurised cabins, the following conditions:

(i) The normal operating differential pressure combined with the expected external aerodynamic pressures applied simultaneously with the flight loading conditions specified in sub-paragraphs (b)(1) to (b)(4) of this paragraph if they have a significant effect.

(ii) The maximum value of normal operating differential pressure (including the expected external aerodynamic pressures during 1 g level flight) multiplied by a factor of 1.15 omitting other loads.

(6) For landing gear and directly-affected airframe structure, the limit ground loading conditions specified in CS 25.473, CS 25.491 and CS 25.493.

If significant changes in structural stiffness or geometry, or both, follow from a structural failure, or partial failure, the effect on damage tolerance must be further investigated. (See AMC 25.571 (b) and (e).) The residual strength requirements of this sub-paragraph (b) apply, where the critical damage is not readily detectable. On the other hand, in the case of damage which is readily detectable within a short period, smaller loads than those of sub-paragraphs (b)(1) to (b)(6) inclusive may be used by agreement with the Authority. A probability approach may be used in these latter assessments, substantiating that catastrophic failure is extremely improbable. (See AMC 25.571 (a), (b) and (e) paragraph 2.1.2.)

(c) *Fatigue (safe-life) evaluation.* Compliance with the damage-tolerance requirements of sub-paragraph (b) of this paragraph is not required if the applicant establishes that their application for particular structure is impractical. This structure must be shown by analysis, supported by test evidence, to be able to withstand the repeated loads of variable magnitude expected during its service life without detectable cracks. Appropriate safe-life scatter factors must be applied.

(d) *Sonic fatigue strength.* It must be shown by analysis, supported by test evidence, or by the service history of aeroplanes of similar structural design and sonic excitation environment, that –

(1) Sonic fatigue cracks are not probable in any part of the flight structure subject to sonic excitation; or

(2) Catastrophic failure caused by sonic cracks is not probable assuming that the loads prescribed in sub-paragraph (b) of this paragraph are applied to all areas affected by those cracks.

(e) *Damage-tolerance (discrete source) evaluation.* The aeroplane must be capable of successfully completing a flight during which likely structural damage occurs as a result of –

(1) Bird impact as specified in CS 25.631;

(2) Reserved

(3) Reserved

(4) Sudden decompression of compartments as specified in CS 25.365 (e) and (f).

The damaged structure must be able to withstand the static loads (considered as

ultimate loads) which are reasonably expected to occur at the time of the occurrence and during the completion of the flight. Dynamic effects on these static loads need not be considered. Corrective action to be taken by the pilot following the incident, such as limiting manoeuvres, avoiding turbulence, and reducing speed, may be considered. If significant changes in structural stiffness or geometry, or both, follow from a structural failure or partial failure, the effect on damage tolerance must be further investigated. (See AMC 25.571(a), (b) and (e), paragraph 2.7.2 and AMC 25.571 (b) and (e).)

LIGHTNING PROTECTION

CS 25.581 **Lightning protection**

(a) The aeroplane must be protected against catastrophic effects from lightning. (See CS 25.899 and AMC 25.581.)

(b) For metallic components, compliance with sub-paragraph (a) of this paragraph may be shown by –

(1) Bonding the components properly to the airframe; or

(2) Designing the components so that a strike will not endanger the aeroplane.

(c) For non-metallic components, compliance with sub-paragraph (a) of this paragraph may be shown by –

(1) Designing the components to minimise the effect of a strike; or

(2) Incorporating acceptable means of diverting the resulting electrical current so as not to endanger the aeroplane.

CS-25 BOOK 1**SUBPART D – DESIGN AND CONSTRUCTION****GENERAL****CS 25.601 General**

The aeroplane may not have design features or details that experience has shown to be hazardous or unreliable. The suitability of each questionable design detail and part must be established by tests.

CS 25.603 Materials (For Composite Materials see AMC 20-29)

The suitability and durability of materials used for parts, the failure of which could adversely affect safety, must –

(a) Be established on the basis of experience or tests;

(b) Conform to approved specifications, that ensure their having the strength and other properties assumed in the design data (See AMC 25.603(b); and

(c) Take into account the effects of environmental conditions, such as temperature and humidity, expected in service.

[Amdt. No.: 25/9]

CS 25.605 Fabrication methods

(a) The methods of fabrication used must produce a consistently sound structure. If a fabrication process (such as gluing, spot welding, or heat treating) requires close control to reach this objective, the process must be performed under an approved process specification.

(b) Each new aircraft fabrication method must be substantiated by a test programme.

CS 25.607 Fasteners
(See AMC 25.607)

(a) Each removable bolt, screw, nut, pin or other removable fastener must incorporate two separate locking devices if –

(1) Its loss could preclude continued flight and landing within the design limitations of the aeroplane using normal pilot skill and strength; or

(2) Its loss could result in reduction in pitch, roll or yaw control capability or

response below that required by Subpart B of this CS–25.

(b) The fasteners specified in subparagraph (a) of this paragraph and their locking devices may not be adversely affected by the environmental conditions associated with the particular installation.

(c) No self-locking nut may be used on any bolt subject to rotation in operation unless a non-friction locking device is used in addition to the self-locking device.

CS 25.609 Protection of structure

Each part of the structure must (see AMC 25.609)-

(a) Be suitably protected against deterioration or loss of strength in service due to any cause, including –

- (1) Weathering;
- (2) Corrosion; and
- (3) Abrasion; and

(b) Have provisions for ventilation and drainage where necessary for protection.

CS 25.611 Accessibility provisions

(a) Means must be provided to allow inspection (including inspection of principal structural elements and control systems), replacement of parts normally requiring replacement, adjustment, and lubrication as necessary for continued airworthiness. The inspection means for each item must be practicable for the inspection interval for the item. Non-destructive inspection aids may be used to inspect structural elements where it is impracticable to provide means for direct visual inspection if it is shown that the inspection is effective and the inspection procedures are specified in the maintenance manual required by CS 25.1529.

(b) Electrical wiring interconnection systems must meet the accessibility requirements of CS 25.1719.

[Amdt. No.: 25/5]

CS-25 BOOK 1**CS 25.613 Material strength properties and Material Design Values (See AMC 25.613)**

(a) Material strength properties must be based on enough tests of material meeting approved specifications to establish design values on a statistical basis.

(b) Material design values must be chosen to minimise the probability of structural failures due to material variability. Except as provided in sub-paragraphs (e) and (f) of this paragraph, compliance must be shown by selecting material design values which assure material strength with the following probability:

(1) Where applied loads are eventually distributed through a single member within an assembly, the failure of which would result in loss of structural integrity of the component, 99% probability with 95% confidence.

(2) For redundant structure, in which the failure of individual elements would result in applied loads being safely distributed to other load carrying members, 90% probability with 95% confidence.

(c) The effects of environmental conditions, such as temperature and moisture, on material design values used in an essential component or structure must be considered where these effects are significant within the aeroplane operating envelope.

(d) *Reserved*

(e) Greater material design values may be used if a "premium selection" of the material is made in which a specimen of each individual item is tested before use to determine that the actual strength properties of that particular item will equal or exceed those used in design.

(f) Other material design values may be used if approved by the Agency.

[Amdt. No.: 25/1]

CS 25.619 Special factors

The factor of safety prescribed in CS 25.303 must be multiplied by the highest pertinent special factor of safety prescribed in CS 25.621 through CS 25.625 for each part of the structure whose strength is –

(a) Uncertain.

(b) Likely to deteriorate in service before normal replacement; or

(c) Subject to appreciable variability because of uncertainties in manufacturing processes or inspection methods.

Where the Agency is not satisfied in a specific case that a special factor is the correct approach to ensuring the necessary integrity of the parts of the structure under service conditions, other appropriate measures must be taken.

CS 25.621 Casting factors (see AMC 25.621.)

(a) *General.* For castings used in structural applications, the factors, tests, and inspections specified in sub-paragraphs (b) through (d) of this paragraph must be applied in addition to those necessary to establish foundry quality control. The inspections must meet accepted specifications. Sub-paragraphs (c) and (d) of this paragraph apply to any structural castings except castings that are pressure tested as parts of hydraulic or other fluid systems and do not support structural loads.

(b) *Bearing stresses and surfaces.* The casting factors specified in sub-paragraphs (c) and (d) of this paragraph:

(1) Need not exceed 1.25 with respect to bearing stresses regardless of the method of inspection used; and

(2) Need not be used with respect to the bearing surfaces of a part whose bearing factor is larger than the applicable casting factor.

(c) *Critical castings.* (See AMC 25.621(c).) Each casting whose failure could preclude continued safe flight and landing of the aeroplane or could result in serious injury to occupants is considered a critical casting. Each critical casting must have a factor associated with it for showing compliance with strength and deformation requirements, and must comply with the following criteria associated with that factor:

(1) A casting factor of 1.0 or greater may be used, provided that:

(i) It is demonstrated, in the form of process qualification, proof of product, and process monitoring that, for each casting design and part number, the castings produced by each foundry and process

CS-25 BOOK 1

combination have coefficients of variation of the material properties that are equivalent to those of wrought alloy products of similar composition. Process monitoring must include testing of coupons cut from the prolongations of each casting (or each set of castings, if produced from a single pour into a single mould in a runner system) and, on a sampling basis, coupons cut from critical areas of production castings. The acceptance criteria for the process monitoring inspections and tests must be established and included in the process specifications to ensure the properties of the production castings are controlled to within levels used in design.

- (ii) Each casting receives:
 - (A) Inspection of 100 percent of its surface, using visual and liquid penetrant, or equivalent, inspection methods; and
 - (B) Inspection of structurally significant internal areas and areas where defects are likely to occur, using radiographic, or equivalent, inspection methods.
- (iii) One casting undergoes a static test and is shown to meet the strength and deformation requirements of CS 25.305(a) and (b).

(see AMC 25.621(c)(1).)

- (2) A casting factor of 1.25 or greater may be used, provided that:
 - (i) Each casting receives:
 - (A) Inspection of 100 percent of its surface, using visual and liquid penetrant, or equivalent inspection methods; and
 - (B) Inspection of structurally significant internal areas and areas where defects are likely to occur, using radiographic, or equivalent, inspection methods.
 - (ii) Three castings undergo static tests and are shown to meet:
 - (A) The strength requirements of CS 25.305(b) at an ultimate load

corresponding to a casting factor of 1.25; and

- (B) The deformation requirements of CS 25.305(a) at a load of 1.15 times the limit load.
- (3) A casting factor of 1.50 or greater may be used, provided that:
 - (i) Each casting receives:
 - (A) Inspection of 100 percent of its surface, using visual and liquid penetrant, or equivalent, inspection methods; and
 - (B) Inspection of structurally significant internal areas and areas where defects are likely to occur, using radiographic, or equivalent, inspection methods.
 - (ii) One casting undergoes a static test and is shown to meet:
 - (A) The strength requirements of CS 25.305(b) at an ultimate load corresponding to a casting factor of 1.50; and
 - (B) The deformation requirements of CS 25.305(a) at a load of 1.15 times the limit load.
 - (d) *Non-critical castings.* For each casting other than critical castings, as specified in sub-paragraph (c) of this paragraph, the following apply:
 - (1) A casting factor of 1.0 or greater may be used, provided that compliance is shown with sub-paragraph (c)(1) of this paragraph, or with the following three conditions:
 - (i) Castings are manufactured to accepted specifications that specify the minimum mechanical properties of the material in the casting and provides for demonstration of these properties by testing of coupons cut from the castings on a sampling basis.
 - (ii) Each casting receives:
 - (A) Inspection of 100 percent of its surface, using visual and liquid penetrant, or equivalent, inspection methods; and
 - (B) Inspection of structurally significant internal areas and areas where defects are likely to

CS-25 BOOK 1

occur, using radiographic, or equivalent, inspection methods.

- (iii) Three sample castings undergo static tests and are shown to meet the strength and deformation requirements of CS 25.305(a) and (b).
- (2) A casting factor of 1.25 or greater may be used, provided that each casting receives:
- (i) Inspection of 100 percent of its surface, using visual and liquid penetrant, or equivalent, inspection methods; and
- (ii) Inspection of structurally significant internal areas and areas where defects are likely to occur, using radiographic, or equivalent, inspection methods.
- (3) A casting factor of 1.5 or greater may be used, provided that each casting receives inspection of 100 percent of its surface using visual and liquid penetrant, or equivalent, inspection methods.
- (4) A casting factor of 2.0 or greater may be used, provided that each casting receives inspection of 100 percent of its surface using visual inspection methods.
- (5) The number of castings per production batch to be inspected by non-visual methods in accordance with sub-paragraphs (d)(2) and (d)(3) of this paragraph may be reduced from 100% when an accepted quality control procedure is established.

[Amdt. No.: 25/1]

CS 25.623 Bearing factors

(a) Except as provided in sub-paragraph (b) of this paragraph, each part that has clearance (free fit), and that is subject to pounding or vibration, must have a bearing factor large enough to provide for the effects of normal relative motion.

(b) No bearing factor need be used for a part for which any larger special factor is prescribed.

CS 25.625 Fitting factors

For each fitting (a part or terminal used to join one structural member to another), the following apply:

(a) For each fitting whose strength is not proven by limit and ultimate load tests in which actual stress conditions are simulated in the fitting and surrounding structures, a fitting factor of at least 1.15 must be applied to each part of –

- (1) The fitting;
- (2) The means of attachment; and
- (3) The bearing on the joined members.

(b) No fitting factor need be used –

(1) For joints made under approved practices and based on comprehensive test data (such as continuous joints in metal plating, welded joints, and scarf joints in wood); or

(2) With respect to any bearing surface for which a larger special factor is used.

(c) For each integral fitting, the part must be treated as a fitting up to the point at which the section properties become typical of the member.

(d) For each seat, berth, safety belt, and harness, the fitting factor specified in CS 25.785(f)(3) applies.

CS 25.629 Aeroelastic stability requirements.

(a) General. The aeroelastic stability evaluations required under this paragraph include flutter, divergence, control reversal and any undue loss of stability and control as a result of structural deformation. The aeroelastic evaluation must include whirl modes associated with any propeller or rotating device that contributes significant dynamic forces. Compliance with this paragraph must be shown by analyses, tests, or some combination thereof as found necessary by the Agency (see AMC 25.629).

(b) Aeroelastic stability envelopes. The aeroplane must be designed to be free from aeroelastic instability for all configurations and design conditions within the aeroelastic stability envelopes as follows:

CS-25 BOOK 1

(1) For normal conditions without failures, malfunctions, or adverse conditions, all combinations of altitudes and speeds encompassed by the V_D/M_D versus altitude envelope enlarged at all points by an increase of 15 percent in equivalent airspeed at constant Mach number and constant altitude. In addition, a proper margin of stability must exist at all speeds up to V_D/M_D and, there must be no large and rapid reduction in stability as V_D/M_D is approached. The enlarged envelope may be limited to Mach 1.0 when MD is less than 1.0 at all design altitudes; and

(2) For the conditions described in CS 25.629(d) below, for all approved altitudes, any airspeed up to the greater airspeed defined by:

(i) The V_D/M_D envelope determined by CS 25.335(b); or,

(ii) An altitude-airspeed envelope defined by a 15 percent increase in equivalent airspeed above V_C at constant altitude, from sea level to the altitude of the intersection of $1.15 V_C$ with the extension of the constant cruise Mach number line, M_C , then a linear variation in equivalent airspeed to $M_C + .05$ at the altitude of the lowest V_C/M_C intersection; then, at higher altitudes, up to the maximum flight altitude, the boundary defined by a .05 Mach increase in M_C at constant altitude; and

(iii) Failure conditions of certain systems must be treated in accordance with CS 25.302.

(3) For failure conditions in those systems covered by CS 25.302, the margins defined in Appendix K of CS-25 apply.

(c) Balance weights. If balance weights are used, their effectiveness and strength, including supporting structure, must be substantiated.

(d) Failures, malfunctions, and adverse conditions. The failures, malfunctions, and adverse conditions which must be considered in showing compliance with this paragraph are:

(1) Any critical fuel loading conditions, not shown to be extremely

improbable, which may result from mismanagement of fuel.

(2) Any single failure in any flutter damper or flutter control system.

(3) For aeroplanes not approved for operation in icing conditions, the maximum likely ice accumulation expected as a result of an inadvertent encounter.

(4) Failure of any single element of the structure supporting any engine, independently mounted propeller shaft, large auxiliary power unit, or large externally mounted aerodynamic body (such as an external fuel tank).

(5) For aeroplanes with engines that have propellers or large rotating devices capable of significant dynamic forces, any single failure of the engine structure that would reduce the rigidity of the rotational axis.

(6) The absence of aerodynamic or gyroscopic forces resulting from the most adverse combination of feathered propellers or other rotating devices capable of significant dynamic forces. In addition, the effect of a single feathered propeller or rotating device must be coupled with the failures of sub-paragraphs (d)(4) and (d)(5) of this paragraph.

(7) Any single propeller or rotating device capable of significant dynamic forces rotating at the highest likely overspeed.

(8) Any damage or failure condition, required or selected for investigation by CS 25.571. The single structural failures described in sub-paragraphs (d)(4) and (d)(5) of this paragraph need not be considered in showing compliance with this paragraph if;

(i) The structural element could not fail due to discrete source damage resulting from the conditions described in CS 25.571(e) and CS 25.903(d); and

(ii) A damage tolerance investigation in accordance with CS 25.571(b) shows that the maximum extent of damage assumed for the purpose of residual strength

CS-25 BOOK 1

evaluation does not involve complete failure of the structural element.

(9) Any damage, failure or malfunction, considered under CS 25.631, CS 25.671, CS 25.672, and CS 25.1309.

(10) Any other combination of failures, malfunctions, or adverse conditions not shown to be extremely improbable.

(e) Flight flutter testing. Full scale flight flutter tests at speeds up to V_{DF}/M_{DF} must be conducted for new type designs and for modifications to a type design unless the modifications have been shown to have an insignificant effect on the aeroelastic stability. These tests must demonstrate that the aeroplane has a proper margin of damping at all speeds up to V_{DF}/M_{DF} , and that there is no large and rapid reduction in damping as V_{DF}/M_{DF} is approached. If a failure, malfunction, or adverse condition is simulated during flight test in showing compliance with sub-paragraph (d) of this paragraph, the maximum speed investigated need not exceed V_{FC}/M_{FC} if it is shown, by correlation of the flight test data with other test data or analyses, that the aeroplane is free from any aeroelastic instability at all speeds within the altitude-airspeed envelope described in sub-paragraph (b)(2) of this paragraph.

[Amdt. No.: 25/1]

CS 25.631 Bird strike damage

The aeroplane must be designed to assure capability of continued safe flight and landing of the aeroplane after impact with a 4 lb bird when the velocity of the aeroplane (relative to the bird along the aeroplane's flight path) is equal to V_C at sea-level or $0.85 V_C$ at 2438 m (8000 ft), whichever is the more critical. Compliance may be shown by analysis only when based on tests carried out on sufficiently representative structures of similar design. (See AMC 25.631.)

CONTROL SURFACES**CS 25.651 Proof of strength**

(a) Limit load tests of control surfaces are required. These tests must include the horn or fitting to which the control system is attached.

(b) Compliance with the special factors requirements of CS 25.619 to 25.625 and

25.657 for control surface hinges must be shown by analysis or individual load tests.

CS 25.655 Installation

(a) Movable tail surfaces must be installed so that there is no interference between any surfaces when one is held in its extreme position and the others are operated through their full angular movement.

(b) If an adjustable stabiliser is used, it must have stops that will limit its range of travel to the maximum for which the aeroplane is shown to meet the trim requirements of CS 25.161.

CS 25.657 Hinges

(a) For control surface hinges, including ball, roller, and self-lubricated bearing hinges, the approved rating of the bearing may not be exceeded. For non-standard bearing hinge configurations, the rating must be established on the basis of experience or tests and, in the absence of a rational investigation, a factor of safety of not less than 6.67 must be used with respect to the ultimate bearing strength of the softest material used as a bearing.

(b) Hinges must have enough strength and rigidity for loads parallel to the hinge line.

CONTROL SYSTEMS**CS 25.671 General**

(a) Each control and control system must operate with the ease, smoothness, and positiveness appropriate to its function. (See AMC 25.671 (a).)

(b) Each element of each flight control system must be designed, or distinctively and permanently marked, to minimise the probability of incorrect assembly that could result in the malfunctioning of the system. (See AMC 25.671 (b).)

(c) The aeroplane must be shown by analysis, test, or both, to be capable of continued safe flight and landing after any of the following failures or jamming in the flight control system and surfaces (including trim, lift, drag, and feel systems) within the normal flight envelope, without requiring exceptional piloting skill or strength. Probable malfunctions must have only minor effects on

CS-25 BOOK 1

control system operation and must be capable of being readily counteracted by the pilot.

(1) Any single failure not shown to be extremely improbable, excluding jamming, (for example, disconnection or failure of mechanical elements, or structural failure of hydraulic components, such as actuators, control spool housing, and valves). (See AMC 25.671(c)(1).)

(2) Any combination of failures not shown to be extremely improbable, excluding jamming (for example, dual electrical or hydraulic system failures, or any single failure in combination with any probable hydraulic or electrical failure).

(3) Any jam in a control position normally encountered during take-off, climb, cruise, normal turns, descent and landing unless the jam is shown to be extremely improbable, or can be alleviated. A runaway of a flight control to an adverse position and jam must be accounted for if such runaway and subsequent jamming is not extremely improbable.

(d) The aeroplane must be designed so that it is controllable if all engines fail. Compliance with this requirement may be shown by analysis where that method has been shown to be reliable.

CS 25.672 Stability augmentation and automatic and power-operated systems

If the functioning of stability augmentation or other automatic or power-operated systems is necessary to show compliance with the flight characteristics requirements of this CS-25, such systems must comply with CS 25.671 and the following:

(a) A warning, which is clearly distinguishable to the pilot under expected flight conditions without requiring his attention, must be provided for any failure in the stability augmentation system or in any other automatic or power-operated system, which could result in an unsafe condition if the pilot were not aware of the failure. Warning systems must not activate the control systems.

(b) The design of the stability augmentation system or of any other automatic or power-operated system must permit initial counteraction of failures of the type specified in CS 25.671 (c) without requiring exceptional pilot skill or strength, by

either the deactivation of the system, or a failed portion thereof, or by overriding the failure by movement of the flight controls in the normal sense.

(c) It must be shown that after any single failure of the stability augmentation system or any other automatic or power-operated system –

(1) The aeroplane is safely controllable when the failure or malfunction occurs at any speed or altitude within the approved operating limitations that is critical for the type of failure being considered. (See AMC 25.672 (c) (1).)

(2) The controllability and manoeuvrability requirements of this CS-25 are met within a practical operational flight envelope (for example, speed, altitude, normal acceleration, and aeroplane configurations) which is described in the Aeroplane Flight Manual; and

(3) The trim, stability, and stall characteristics are not impaired below a level needed to permit continued safe flight and landing.

CS 25.675 Stops

(a) Each control system must have stops that positively limit the range of motion of each movable aerodynamic surface controlled by the system.

(b) Each stop must be located so that wear, slackness, or take-up adjustments will not adversely affect the control characteristics of the aeroplane because of a change in the range of surface travel.

(c) Each stop must be able to withstand any loads corresponding to the design conditions for the control system.

CS 25.677 Trim systems

(a) Trim controls must be designed to prevent inadvertent or abrupt operation and to operate in the plane, and the sense of motion, of the aeroplane.

(b) There must be means adjacent to the trim control to indicate the direction of the control movement relative to the aeroplane motion. In addition, there must be clearly visible means to indicate the position of the trim device with respect to the range of adjustment. The indicator must be clearly marked with the range within which it has

CS-25 BOOK 1

been demonstrated that take-off is safe for all centre of gravity positions approved for take-off.

(c) Trim control systems must be designed to prevent creeping in flight. Trim tab controls must be irreversible unless the tab is appropriately balanced and shown to be free from flutter.

(d) If an irreversible tab control system is used, the part from the tab to the attachment of the irreversible unit to the aeroplane structure must consist of a rigid connection.

CS 25.679 Control system gust locks

(a) There must be a device to prevent damage to the control surfaces (including tabs), and to the control system, from gusts striking the aeroplane while it is on the ground. If the device, when engaged, prevents normal operation of the control surfaces by the pilot, it must –

(1) Automatically disengage when the pilot operates the primary flight controls in a normal manner; or

(2) Limit the operation of the aeroplane so that the pilot receives unmistakable warning at the start of take-off. (See AMC 25.679(a)(2).)

(b) The device must have means to preclude the possibility of it becoming inadvertently engaged in flight. (See AMC 25.679(b).)

CS 25.681 Limit load static tests

(a) Compliance with the limit load requirements of this CS-25 must be shown by tests in which –

(1) The direction of the test loads produces the most severe loading in the control system; and

(2) Each fitting, pulley, and bracket used in attaching the system to the main structure is included.

(b) Compliance must be shown (by analyses or individual load tests) with the special factor requirements for control system joints subject to angular motion.

CS 25.683 Operation tests

(a) It must be shown by operation tests that when portions of the control system subject to pilot effort loads are loaded to 80%

of the limit load specified for the system and the powered portions of the control system are loaded to the maximum load expected in normal operation, the system is free from –

- (1) Jamming;
- (2) Excessive friction; and
- (3) Excessive deflection.

(b) It must be shown by analysis and, where necessary, by tests that in the presence of deflections of the aeroplane structure due to the separate application of pitch, roll and yaw limit manoeuvre loads, the control system, when loaded to obtain these limit loads and operated within its operational range of deflections can be exercised about all control axes and remain free from-

- (1) Jamming;
- (2) Excessive friction;
- (3) Disconnection, and
- (4) Any form of permanent damage.

(c) It must be shown that under vibration loads in the normal flight and ground operating conditions, no hazard can result from interference or contact with adjacent elements.

CS 25.685 Control system details

(a) Each detail of each control system must be designed and installed to prevent jamming, chafing, and interference from cargo, passengers, loose objects or the freezing of moisture. (See AMC 25.685 (a).)

(b) There must be means in the cockpit to prevent the entry of foreign objects into places where they would jam the system.

(c) There must be means to prevent the slapping of cables or tubes against other parts.

(d) CS 25.689 and CS 25.693 apply to cable systems and joints.

CS 25.689 Cable systems

(a) Each cable, cable fitting, turnbuckle, splice, and pulley must be approved. In addition –

- (1) No cable smaller than 3.2 mm (0.125 inch) diameter may be used in the aileron, elevator, or rudder systems; and

CS-25 BOOK 1

(2) Each cable system must be designed so that there will be no hazardous change in cable tension throughout the range of travel under operating conditions and temperature variations.

(b) Each kind and size of pulley must correspond to the cable with which it is used. Pulleys and sprockets must have closely fitted guards to prevent the cables and chains from being displaced or fouled. Each pulley must lie in the plane passing through the cable so that the cable does not rub against the pulley flange.

(c) Fairleads must be installed so that they do not cause a change in cable direction of more than three degrees.

(d) Clevis pins subject to load or motion and retained only by cotter pins may not be used in the control system.

(e) Turnbuckles must be attached to parts having angular motion in a manner that will positively prevent binding throughout the range of travel.

(f) There must be provisions for visual inspection of fairleads, pulleys, terminals, and turnbuckles.

CS 25.693 Joints

Control system joints (in push-pull systems) that are subject to angular motion, except those in ball and roller bearing systems must have a special factor of safety of not less than 3.33 with respect to the ultimate bearing strength of the softest material used as a bearing. This factor may be reduced to 2.0 for joints in cable control systems. For ball or roller bearings, the approved ratings, may not be exceeded.

CS 25.697 Lift and drag devices, controls

(a) Each lift device control must be designed so that the pilots can place the device in any take-off, en-route, approach, or landing position established under CS 25.101(d). Lift and drag devices must maintain the selected positions, except for movement produced by an automatic positioning or load limiting device, without further attention by the pilots.

(b) Each lift and drag device control must be designed and located to make inadvertent operation improbable. Lift and drag devices

intended for ground operation only must have means to prevent the inadvertent operation of their controls in flight if that operation could be hazardous.

(c) The rate of motion of the surfaces in response to the operation of the control and the characteristics of the automatic positioning or load limiting device must give satisfactory flight and performance characteristics under steady or changing conditions of airspeed, engine power, and aeroplane attitude.

(d) The lift device control must be designed to retract the surfaces from the fully extended position, during steady flight at maximum continuous engine power at any speed below $V_F + 17$ km/hr (9.0 knots).

CS 25.699 Lift and drag device indicator

(a) There must be means to indicate to the pilots the position of each lift or drag device having a separate control in the cockpit to adjust its position. In addition, an indication of unsymmetrical operation or other malfunction in the lift or drag device systems must be provided when such indication is necessary to enable the pilots to prevent or counteract an unsafe flight or ground condition, considering the effects on flight characteristics and performance.

(b) There must be means to indicate to the pilots the take-off, en-route, approach, and landing lift device positions.

(c) If an extension of the lift and drag device beyond the landing position is possible, the control must be clearly marked to identify this range of extension.

CS 25.701 Flap and slat interconnection

(a) Unless the aeroplane has safe flight characteristics with the flaps or slats retracted on one side and extended on the other, the motion of flaps or slats on opposite sides of the plane of symmetry must be synchronised by a mechanical interconnection or approved equivalent means.

(b) If a wing-flap or slat interconnection or equivalent means is used, it must be designed to account for the applicable unsymmetrical loads, including those resulting from flight with the engines on one side of the plane of symmetry inoperative and the remaining engines at take-off power.

CS-25 BOOK 1

(c) For aeroplanes with flaps or slats that are not subjected to slipstream conditions, the structure must be designed for the loads imposed when the wing-flaps or slats on one side are carrying the most severe load occurring in the prescribed symmetrical conditions and those on the other side are carrying not more than 80% of that load.

(d) The interconnection must be designed for the loads resulting when interconnected flap or slat surfaces on one side of the plane of symmetry are jammed and immovable while the surfaces on the other side are free to move and the full power of the surface actuating system is applied. (See AMC 25.701(d).)

CS 25.703 Take-off warning system
(See AMC 25.703)

A take-off warning system must be installed and must meet the following requirements:

(a) The system must provide to the pilots an aural warning that is automatically activated during the initial portion of the take-off roll if the aeroplane is in a configuration, including any of the following that would not allow a safe take-off:

(1) The wing-flaps or leading edge devices are not within the approved range of take-off positions.

(2) Wing spoilers (except lateral control spoilers meeting the requirements of CS 25.671), speed brakes, or longitudinal trim devices are in a position that would not allow a safe take-off.

(3) The parking brake is unreleased.

(b) The aural warning required by subparagraph (a) of this paragraph must continue until –

(1) The take-off configuration is changed to allow a safe take-off;

(2) Action is taken by the pilot to terminate the take-off roll;

(3) The aeroplane is rotated for take-off; or

(4) The warning is manually silenced by the pilot. The means to silence the warning must not be readily available to the flight crew such that it could be operated instinctively, inadvertently, or by habitual reflexive action. Before each take-off, the warning must be rearmed automatically, or

manually if the absence of automatic rearming is clear and unmistakable.

(c) The means used to activate the system must function properly for all authorised take-off power settings and procedures, and throughout the ranges of take-off weights, altitudes, and temperatures for which certification is requested.

LANDING GEAR

CS 25.721 General (See AMC 25.963(d))

(a) The landing gear system must be designed so that when it fails due to overloads during take-off and landing, the failure mode is not likely to cause spillage of enough fuel to constitute a fire hazard. The overloads must be assumed to act in the upward and aft directions in combination with side loads acting inboard and outboard. In the absence of a more rational analysis, the side loads must be assumed to be up to 20% of the vertical load or 20% of the drag load, whichever is greater.

(b) The aeroplane must be designed to avoid any rupture leading to the spillage of enough fuel to constitute a fire hazard as a result of a wheels-up landing on a paved runway, under the following minor crash landing conditions:

(1) Impact at 1.52 m/s (5 fps) vertical velocity, with the aeroplane under control, at Maximum Design Landing Weight,

(i) with the landing gear fully retracted and, as separate conditions,

(ii) with any other combination of landing gear legs not extended.

(2) Sliding on the ground, with -

(i) the landing gear fully retracted and with up to a 20° yaw angle and, as separate conditions,

(ii) any other combination of landing gear legs not extended and with 0° yaw angle.

(c) For configurations where the engine nacelle is likely to come into contact with the ground, the engine pylon or engine mounting must be designed so that when it fails due to overloads (assuming the overloads to act predominantly in the upward direction and separately predominantly in the aft direction), the failure mode is not likely to cause the

CS-25 BOOK 1

spillage of enough fuel to constitute a fire hazard.

[Amdt. No.: 25/3]

CS 25.723 Shock absorption tests (See AMC 25.723)

(a) The analytical representation of the landing gear dynamic characteristics that is used in determining the landing loads must be validated by energy absorption tests. A range of tests must be conducted to ensure that the analytical representation is valid for the design conditions specified in CS 25.473.

(1) The configurations subjected to energy absorption tests at limit design conditions must include at least the design landing weight or the design takeoff weight, whichever produces the greater value of landing impact energy.

(2) The test attitude of the landing gear unit and the application of appropriate drag loads during the test must simulate the aeroplane landing conditions in a manner consistent with the development of rational or conservative limit loads.

(b) The landing gear may not fail in a test, demonstrating its reserve energy absorption capacity, simulating a descent velocity of 3.7 m/s (12 fps) at design landing weight, assuming aeroplane lift not greater than the aeroplane weight acting during the landing impact.

(c) In lieu of the tests prescribed in this paragraph, changes in previously approved design weights and minor changes in design may be substantiated by analyses based on previous tests conducted on the same basic landing gear system that has similar energy absorption characteristics.

CS 25.729 Retracting mechanism
(See AMC 25.729)

(a) *General.* For aeroplanes with retractable landing gear, the following apply:

(1) The landing gear retracting mechanism, wheel well doors, and supporting structure, must be designed for –

(i) The loads occurring in the flight conditions when the gear is in the retracted position;

(ii) The combination of friction loads, inertia loads, brake torque loads, air loads, and gyroscopic loads resulting from the wheels rotating at a peripheral speed equal to $1.23 V_{SR}$ (with the flaps in take-off position at design take-off weight), occurring during retraction and extension at any airspeed up to $1.5 V_{SR1}$ with the wing-flaps in the approach position at design landing weight, and

(iii) Any load factor up to those specified in CS 25.345 (a) for the wing-flaps extended condition.

(2) Unless there are other means to decelerate the aeroplane in flight at this speed, the landing gear, the retracting mechanism, and the aeroplane structure (including wheel well doors) must be designed to withstand the flight loads occurring with the landing gear in the extended position at any speed up to $0.67 V_C$.

(3) Landing gear doors, their operating mechanism, and their supporting structures must be designed for the yawing manoeuvres prescribed for the aeroplane in addition to the conditions of airspeed and load factor prescribed in sub-paragraphs (a)(1) and (2) of this paragraph.

(b) *Landing gear lock.* There must be positive means to keep the landing gear extended in flight and on the ground. There must be positive means to keep the landing gear and doors in the correct retracted position in flight, unless it can be shown that lowering of the landing gear or doors, or flight with the landing gear or doors extended, at any speed, is not hazardous.

(c) *Emergency operation.* There must be an emergency means for extending the landing gear in the event of –

(1) Any reasonably probable failure in the normal retraction system; or

(2) The failure of any single source of hydraulic, electric, or equivalent energy supply.

(d) *Operation test.* The proper functioning of the retracting mechanism must be shown by operation tests.

(e) *Position indicator and warning device.* If a retractable landing gear is used, there must be a landing gear position indicator easily visible to the pilot or to the appropriate

CS-25 BOOK 1

crew members (as well as necessary devices to actuate the indicator) to indicate without ambiguity that the retractable units and their associated doors are secured in the extended (or retracted) position. The means must be designed as follows:

(1) If switches are used, they must be located and coupled to the landing gear mechanical systems in a manner that prevents an erroneous indication of 'down and locked' if the landing gear is not in a fully extended position, or of 'up and locked' if the landing gear is not in the fully retracted position. The switches may be located where they are operated by the actual landing gear locking latch or device.

(2) The flight crew must be given an aural warning that functions continuously, or is periodically repeated, if a landing is attempted when the landing gear is not locked down.

(3) The warning must be given in sufficient time to allow the landing gear to be locked down or a go-around to be made.

(4) There must not be a manual shut-off means readily available to the flight crew for the warning required by sub-paragraph (e)(2) of this paragraph such that it could be operated instinctively, inadvertently or by habitual reflexive action.

(5) The system used to generate the aural warning must be designed to minimise false or inappropriate alerts.

(6) Failures of systems used to inhibit the landing gear aural warning, that would prevent the warning system from operating, must be improbable.

(7) A clear indication or warning must be provided whenever the landing gear position is not consistent with the landing gear selector lever position.

[Amdt. No.: 25/4]

[Amdt. No.: 25/14]

CS 25.731 Wheels

(a) Each main and nose wheel must be approved.

(b) The maximum static load rating of each wheel may not be less than the corresponding static ground reaction with –

(1) Design maximum weight; and

(2) Critical centre of gravity.

(c) The maximum limit load rating of each wheel must equal or exceed the maximum radial limit load determined under the applicable ground load requirements of this CS–25.

(d) *Overpressure burst prevention.* Means must be provided in each wheel to prevent wheel failure and tyre burst that may result from excessive pressurisation of the wheel and tyre assembly.

(e) *Braked wheels.* Each braked wheel must meet the applicable requirements of CS 25.735.

CS 25.733 Tyres

(a) When a landing gear axle is fitted with a single wheel and tyre assembly, the wheel must be fitted with a suitable tyre of proper fit with a speed rating approved by the Agency that is not exceeded under critical conditions, and with a load rating approved by the Agency that is not exceeded under –

(1) The loads on the main wheel tyre, corresponding to the most critical combination of aeroplane weight (up to the maximum weight) and centre of gravity position; and

(2) The loads corresponding to the ground reactions in sub-paragraph (b) of this paragraph, on the nose-wheel tyre, except as provided in sub-paragraphs (b)(2) and (b)(3) of this paragraph.

(b) The applicable ground reactions for nose-wheel tyres are as follows:

(1) The static ground reaction for the tyre corresponding to the most critical combination of aeroplane weight (up to maximum ramp weight) and centre of gravity position with a force of 1.0 g acting downward at the centre of gravity. This load may not exceed the load rating of the tyre.

(2) The ground reaction of the tyre corresponding to the most critical combination of aeroplane weight (up to maximum landing weight) and centre of gravity position combined with forces of 1.0 g downward and 0.31 g forward acting at the centre of gravity. The reactions in this case must be distributed to the nose and

CS-25 BOOK 1

main wheels by the principles of static's with a drag reaction equal to 0.31 times the vertical load at each wheel with brakes capable of producing this ground reaction. This nose tyre load may not exceed 1.5 times the load rating of the tyre.

(3) The ground reaction of the tyre corresponding to the most critical combination of aeroplane weight (up to maximum ramp weight) and centre of gravity position combined with forces of 1.0 g downward and 0.20 g forward acting at the centre of gravity. The reactions in this case must be distributed to the nose and main wheels by the principles of static's with a drag reaction equal to 0.20 times the vertical load at each wheel with brakes capable of producing this ground reaction. This nose tyre load may not exceed 1.5 times the load rating of the tyre.

(c) When a landing gear axle is fitted with more than one wheel and tyre assembly, such as dual or dual-tandem, each wheel must be fitted with a suitable tyre of proper fit with a speed rating approved by the Agency that is not exceeded under critical conditions, and with a load rating approved by the Agency that is not exceeded by –

(1) The loads on each main wheel tyre, corresponding to the most critical combination of aeroplane weight (up to maximum weight) and centre of gravity position, when multiplied by a factor of 1.07; and

(2) Loads specified in subparagraphs (a)(2), (b)(1), (b)(2) and (b)(3) of this paragraph on each nose-wheel tyre.

(d) Each tyre installed on a retractable landing gear system must, at the maximum size of the tyre type expected in service, have a clearance to surrounding structure and systems that is adequate to prevent unintended contact between the tyre and any part of the structure or systems.

(e) For an aeroplane with a maximum certificated take-off weight of more than 34019 kg (75 000 pounds), tyres mounted on braked wheels must be inflated with dry nitrogen or other gases shown to be inert so that the gas mixture in the tyre does not contain oxygen in excess of 5% by volume, unless it can be shown that the tyre liner material will not produce a volatile gas when heated, or that means are provided to prevent tyre temperatures from reaching unsafe levels.

CS 25.734 Protection against wheel and tyre failures

(See AMC 25.734)

The safe operation of the aeroplane must be preserved in case of damaging effects on systems or structures from:

- tyre debris;
- tyre burst pressure;
- flailing tyre strip; and
- wheel flange debris.

[Amdt. No.: 25/14]

CS 25.735 Brakes and braking systems

(See AMC 25.735)

(a) *Approval.* Each assembly consisting of a wheel(s) and brake(s) must be approved.

(b) *Brake system capability.* The brake system, associated systems and components must be designed and constructed so that:

(1) If any electrical, pneumatic, hydraulic, or mechanical connecting or transmitting element fails, or if any single source of hydraulic or other brake operating energy supply is lost, it is possible to bring the aeroplane to rest with a braked roll stopping distance of not more than two times that obtained in determining the landing distance as prescribed in CS 25.125.

(2) Fluid lost from a brake hydraulic system following a failure in, or in the vicinity of, the brakes is insufficient to cause or support a hazardous fire on the ground or in flight.

(c) *Brake controls.* The brake controls must be designed and constructed so that:

(1) Excessive control force is not required for their operation.

(2) If an automatic braking system is installed, means are provided to:

(i) Arm and disarm the system, and

(ii) Allow the pilot(s) to override the system by use of manual braking.

(d) *Parking brake.* The aeroplane must have a parking brake control that, when selected on, will, without further attention, prevent the aeroplane from rolling on a dry and level paved runway when the most

CS-25 BOOK 1

adverse combination of maximum thrust on one engine and up to maximum ground idle thrust on any, or all, other engine(s) is applied. The control must be suitably located or be adequately protected to prevent inadvertent operation. There must be indication in the cockpit when the parking brake is not fully released.

(e) *Anti-skid system.* If an anti-skid system is installed:

(1) It must operate satisfactorily over the range of expected runway conditions, without external adjustment.

(2) It must, at all times, have priority over the automatic braking system, if installed.

(f) *Kinetic energy capacity—*

(1) *Design landing stop.* The design-landing stop is an operational landing stop at maximum landing weight. The design landing stop brake kinetic energy absorption requirement of each wheel, brake, and tyre assembly must be determined. It must be substantiated by dynamometer testing that the wheel, brake and tyre assembly is capable of absorbing not less than this level of kinetic energy throughout the defined wear range of the brake. The energy absorption rate derived from the aeroplane manufacturer's braking requirements must be achieved. The mean deceleration must not be less than 3.1 m/s^2 (10 fps^2).

(2) *Maximum kinetic energy accelerate-stop.* The maximum kinetic energy accelerate-stop is a rejected take-off for the most critical combination of aeroplane take-off weight and speed. The accelerate-stop brake kinetic energy absorption requirement of each wheel, brake, and tyre assembly must be determined. It must be substantiated by dynamometer testing that the wheel brake and tyre assembly is capable of absorbing not less than this level of kinetic energy throughout the defined wear range of the brake. The energy absorption rate derived from the aeroplane's braking requirements must be achieved. The mean deceleration must not be less than 1.8 m/s^2 (6 fps^2).

(3) *Most severe landing stop.* The most severe landing stop is a stop at the most critical combination of aeroplane landing weight and speed. The most severe landing stop brake kinetic energy

absorption requirement of each wheel, brake, and tyre assembly must be determined. It must be substantiated by dynamometer testing that, at the declared fully worn limit(s) of the brake heat sink, the wheel, brake and tyre assembly is capable of absorbing not less than this level of kinetic energy. The most severe landing stop need not be considered for extremely improbable failure conditions or if the maximum kinetic energy accelerate-stop energy is more severe.

(g) *Brake condition after high kinetic energy dynamometer stop(s).* Following the high kinetic energy stop demonstration(s) required by sub-paragraph (f) of this paragraph, with the parking brake promptly and fully applied for at least 3 minutes, it must be demonstrated that for at least 5 minutes from application of the parking brake, no condition occurs (or has occurred during the stop), including fire associated with the tyre or wheel and brake assembly, that could prejudice the safe and complete evacuation of the aeroplane.

(h) *Stored energy systems.* An indication to the flight crew of the usable stored energy must be provided if a stored energy system is used to show compliance with sub-paragraph (b)(1) of this paragraph. The available stored energy must be sufficient for:

(1) At least 6 full applications of the brakes when an anti-skid system is not operating; and

(2) Bringing the aeroplane to a complete stop when an anti-skid system is operating, under all runway surface conditions for which the aeroplane is certificated.

(i) *Brake wear indicators.* Means must be provided for each brake assembly to indicate when the heat sink is worn to the permissible limit. The means must be reliable and readily visible.

(j) *Over-temperature burst prevention.* Means must be provided in each braked wheel to prevent a wheel failure, a tyre burst, or both, that may result from elevated brake temperatures. Additionally, all wheels must meet the requirements of CS 25.731(d).

(k) *Compatibility.* Compatibility of the wheel and brake assemblies with the aeroplane and its systems must be substantiated.

[Amdt. No.: 25/2]

CS-25 BOOK 1

(l) *Wheel brake temperature.* Equipment and structure that are essential to the safe operation of the aeroplane and that are located on the landing gear and in wheel wells must be protected from the damaging effects of possible wheel brake temperatures.

[Amdt. No.: 25/14]

CS 25.745 Nose-wheel steering

(a) The nose-wheel steering system, unless it is restricted in use to low-speed manoeuvring, must be so designed that exceptional skill is not required for its use during take-off and landing, including the case of cross-wind, and in the event of sudden power-unit failure at any stage during the take-off run. This must be shown by tests. (See AMC 25.745 (a).)

(b) It must be shown that, in any practical circumstances, movement of the pilot's steering control (including movement during retraction or extension or after retraction of the landing gear) cannot interfere with the correct retraction or extension of the landing gear.

(c) Under failure conditions the system must comply with CS 25.1309 (b) and (c). The arrangement of the system must be such that no single failure will result in a nose-wheel position, which will lead to a Hazardous Effect. Where reliance is placed on nose-wheel steering in showing compliance with CS 25.233, the nose-wheel steering system must be shown to comply with CS 25.1309. (See AMC 25.745 (c)).

(d) The nose-wheel steering system, towing attachment(s), and associated elements must be designed or protected by appropriate means such that during ground manoeuvring operations effected by means independent of the aeroplane:

(1) Damage affecting the safe operation of the nose-wheel steering system is precluded, or

(2) A flight crew alert is provided, before the start of taxiing, if damage may have occurred (see AMC 25.1322).

(See AMC 25.745(d))

(e) Unless the nose-wheel, when lowered, is automatically in the fore-and-aft attitude successful landings must be demonstrated with the nose-wheel initially in all possible off-centre positions.

[Amdt No: 25/2]

[Amdt No: 25/13]

PERSONNEL AND CARGO ACCOMMODATIONS**CS 25.771 Pilot compartment**

(a) Each pilot compartment and its equipment must allow the minimum flight crew (established under CS 25.1523) to perform their duties without unreasonable concentration or fatigue.

(b) The primary controls listed in CS 25.779 (a), excluding cables and control rods, must be located with respect to the propellers so that no member of the minimum flight crew (established under CS 25.1523), or part of the controls, lies in the region between the plane of rotation of any inboard propeller and the surface generated by a line passing through the centre of the propeller hub making an angle of 5° forward or aft of the plane of rotation of the propeller.

(c) If provision is made for a second pilot, the aeroplane must be controllable with equal safety from either pilot seat.

(d) The pilot compartment must be constructed so that, when flying in rain or snow, it will not leak in a manner that will distract the crew or harm the structure.

(e) Vibration and noise characteristics of cockpit equipment may not interfere with safe operation of the aeroplane.

CS 25.772 Pilot compartment doors

For an aeroplane that has a lockable door installed between the pilot compartment and the passenger compartment: -

(a) For aeroplanes with passenger seating configuration of 20 seats or more, the emergency exit configuration must be designed so that neither crewmembers nor passengers require use of the flight deck door in order to reach the emergency exits provided for them; and

(b) Means must be provided to enable flight-crew members to directly enter the passenger compartment from the pilot compartment if the cockpit door becomes jammed.

(c) There must be an emergency means to enable a crewmember to enter the pilot

CS-25 BOOK 1

compartment in the event that the flight crew becomes incapacitated.

CS 25.773 Pilot compartment view (See AMC 25.773)

(a) *Non-precipitation conditions.* For non-precipitation conditions, the following apply:

(1) Each pilot compartment must be arranged to give the pilots a sufficiently extensive, clear, and undistorted view, to enable them to safely perform any manoeuvres within the operating limitations of the aeroplane, including taxiing, take-off, approach and landing.

(2) Each pilot compartment must be free of glare and reflection that could interfere with the normal duties of the minimum flight crew (established under CS 25.1523). This must be shown in day and night flight tests under non-precipitation conditions.

(b) *Precipitation conditions.* For precipitation conditions, the following apply:

(1) The aeroplane must have a means to maintain a clear portion of the windshield during precipitation conditions, sufficient for both pilots to have a sufficiently extensive view along the flight path in normal flight attitudes of the aeroplane. This means must be designed to function, without continuous attention on the part of the crew, in –

(i) Heavy rain at speeds up to $1.5 V_{SR1}$, with lift and drag devices retracted; and

(ii) The icing conditions specified in CS 25.1419 if certification for flight in icing conditions is requested.

(2) No single failure of the systems used to provide the view required by sub-paragraph (b)(1) of this paragraph must cause the loss of that view by both pilots in the specified precipitation conditions.

(3) The first pilot must have a window that:

(i) is openable under the conditions prescribed in sub-paragraph (b)(1) of this paragraph when the cabin is not pressurised;

(ii) provides the view specified in (b)(1); and

(iii) gives sufficient protection from the elements against impairment of the pilot's vision.

(4) The openable window specified in sub-paragraph (b)(3) of this paragraph need not be provided if it is shown that an area of the transparent surface will remain clear sufficient for at least one pilot to land the aeroplane safely in the event of –

(i) Any system failure or combination of failures, which is not, Extremely Improbable in accordance with CS 25.1309, under the precipitation conditions specified in sub-paragraph (b)(1) of this paragraph.

(ii) An encounter with severe hail, birds, or insects.

(c) *Internal windshield and window fogging.* The aeroplane must have a means to prevent fogging to the internal portions of the windshield and window panels over an area which would provide the visibility specified in sub-paragraph (a) of this paragraph under all internal and external ambient conditions, including precipitation conditions, in which the aeroplane is intended to be operated.

(d) Fixed markers or other guides must be installed at each pilot station to enable the pilots to position themselves in their seats for an optimum combination of outside visibility and instrument scan. If lighted markers or guides are used they must comply with the requirements specified in CS 25.1381.

[Amdt. No.: 25/3]

[Amdt. No.: 25/4]

CS 25.775 Windshields and windows

(a) Internal panes must be made of non-splintering material.

(b) Windshield panes directly in front of the pilots in the normal conduct of their duties, and the supporting structures for these panes, must withstand, without penetration, the bird impact conditions specified in CS 25.631.

(c) Unless it can be shown by analysis or tests that the probability of occurrence of a critical windshield fragmentation condition is of a low order, the aeroplane must have a means to minimise the danger to the pilots from flying windshield fragments due to bird

CS-25 BOOK 1

impact. This must be shown for each transparent pane in the cockpit that –

(1) Appears in the front view of the aeroplane;

(2) Is inclined 15° or more to the longitudinal axis of the aeroplane; and

(3) Has any part of the pane located where its fragmentation will constitute a hazard to the pilots.

(d) The design of windshields and windows in pressurised aeroplanes must be based on factors peculiar to high altitude operation, including the effects of continuous and cyclic pressurisation loadings, the inherent characteristics of the material used, and the effects of temperatures and temperature differentials. The windshield and window panels must be capable of withstanding the maximum cabin pressure differential loads combined with critical aerodynamic pressure and temperature effects after any single failure in the installation or associated systems. It may be assumed that, after a single failure that is obvious to the flight crew (established under CS 25.1523), the cabin pressure differential is reduced from the maximum, in accordance with appropriate operating limitations, to allow continued safe flight of the aeroplane with a cabin pressure altitude of not more than 4572m (15 000 ft) (see AMC 25.775 (d)).

(e) The windshield panels in front of the pilots must be arranged so that, assuming the loss of vision through any one panel, one or more panels remain available for use by a pilot seated at a pilot station to permit continued safe flight and landing.

CS 25.777 Cockpit controls

(a) Each cockpit control must be located to provide convenient operation and to prevent confusion and inadvertent operation.

(b) The direction of movement of cockpit controls must meet the requirements of CS 25.779. Wherever practicable, the sense of motion involved in the operation of other controls must correspond to the sense of the effect of the operation upon the aeroplane or upon the part operated. Controls of a variable nature using a rotary motion must move clockwise from the off position, through an increasing range, to the full on position.

(c) The controls must be located and arranged, with respect to the pilots' seats, so

that there is full and unrestricted movement of each control without interference from the cockpit structure or the clothing of the minimum flight crew (established under CS 25.1523) when any member of this flight crew from 1.58 m (5ft 2 inches) to 1.91 m (6ft 3 inches) in height, is seated with the seat belt and shoulder harness (if provided) fastened.

(d) Identical powerplant controls for each engine must be located to prevent confusion as to the engines they control.

(e) Wing-flap controls and other auxiliary lift device controls must be located on top of the pedestal, aft of the throttles, centrally or to the right of the pedestal centre line, and not less than 25 cm (10 inches) aft of the landing gear control.

(f) The landing gear control must be located forward of the throttles and must be operable by each pilot when seated with seat belt and shoulder harness (if provided) fastened.

(g) Control knobs must be shaped in accordance with CS 25.781. In addition, the knobs must be of the same colour and this colour must contrast with the colour of control knobs for other purposes and the surrounding cockpit.

(h) If a flight engineer is required as part of the minimum flight crew (established under CS 25.1523), the aeroplane must have a flight engineer station located and arranged so that the flight-crew members can perform their functions efficiently and without interfering with each other.

(i) Pitch and roll control forces and displacement sensitivity shall be compatible so that normal inputs on one control axis will not cause significant unintentional inputs on the other.

[Amdt No: 25/13]

CS 25.779 Motion and effect of cockpit controls

Cockpit controls must be designed so that they operate in accordance with the following movement and actuation:

(a) Aerodynamic controls –

(1) *Primary.*

Controls Motion and effect

CS-25 BOOK 1

Aileron	Right (clockwise) for right wing down
Elevator	Rearward for nose up
Rudder	Right pedal forward for nose right

(2) Secondary.

<i>Controls</i>	<i>Motion and effect</i>
Flaps (or auxiliary lift devices)	Forward for wing-flaps up; rearward for flaps down
Trim tabs (or equivalent)	Rotate to produce similar rotation of the aeroplane about an axis parallel to the axis of the control

(b) Powerplant and auxiliary controls –*(1) Powerplant.*

<i>Controls</i>	<i>Motion and effect</i>
Power or thrust	Forward to increase forward thrust and rearward to increase rearward thrust
Propellers	Forward to increase rpm

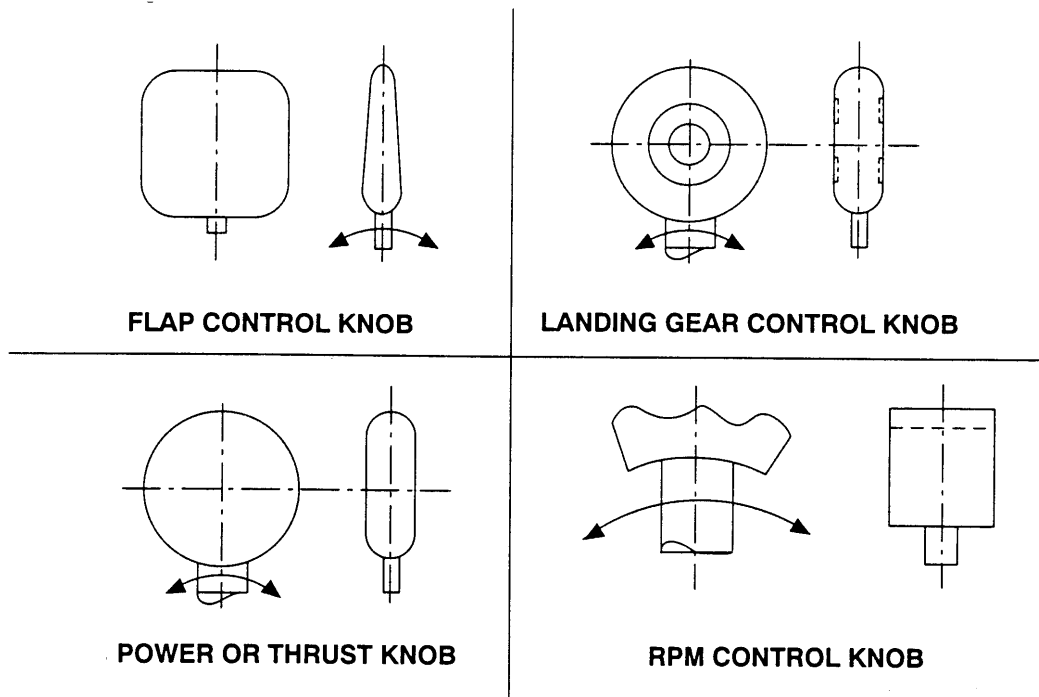
(2) Auxiliary.

<i>Controls</i>	<i>Motion and effect</i>
Landing gear	Down to extend

CS 25.781 Cockpit control knob shape

Cockpit control knobs must conform to the general shapes (but not necessarily the exact sizes or specific proportions) in the following figure:

CS-25 BOOK 1

**CS 25.783 Fuselage Doors**

(a) *General.* This paragraph applies to fuselage doors, which includes all doors, hatches, openable windows, access panels, covers, etc., on the exterior of the fuselage that do not require the use of tools to open or close. This also applies to each door or hatch through a pressure bulkhead, including any bulkhead that is specifically designed to function as a secondary bulkhead under the prescribed failure conditions of CS-25. These doors must meet the requirements of this paragraph, taking into account both pressurised and unpressurised flight, and must be designed as follows:

(1) Each door must have means to safeguard against opening in flight as a result of mechanical failure, or failure of any single structural element.

(2) Each door that could be a hazard if it unlatches must be designed so that unlatching during pressurised and unpressurised flight from the fully closed, latched, and locked condition is extremely improbable. This must be shown by safety analysis.

(3) Each element of each door operating system must be designed or, where impracticable, distinctively and

permanently marked, to minimise the probability of incorrect assembly and adjustment that could result in a malfunction.

(4) All sources of power that could initiate unlocking or unlatching of any door must be automatically isolated from the latching and locking systems prior to flight and it must not be possible to restore power to the door during flight.

(5) Each removable bolt, screw, nut, pin, or other removable fastener must meet the locking requirements of CS 25.607.

(6) Certain doors, as specified by CS 25.807(h), must also meet the applicable requirements of CS 25.809 through CS 25.812 for emergency exits.

(b) *Opening by persons.* There must be a means to safeguard each door against opening during flight due to inadvertent action by persons. In addition, for each door that could be a hazard, design precautions must be taken to minimise the possibility for a person to open the door intentionally during flight. If these precautions include the use of auxiliary devices, those devices and their controlling systems must be designed so that:

(1) no single failure will prevent more than one exit from being opened, and

CS-25 BOOK 1

(2) failures that would prevent opening of any exit after landing must not be more probable than remote.

(c) *Pressurisation prevention means.* There must be a provision to prevent pressurisation of the aeroplane to an unsafe level if any door subject to pressurisation is not fully closed, latched, and locked.

(1) The provision must be designed to function after any single failure, or after any combination of failures not shown to be extremely improbable.

(2) Doors that meet the conditions described in sub-paragraph (h) of this paragraph are not required to have a dedicated pressurisation prevention means if, from every possible position of the door, it will remain open to the extent that it prevents pressurisation or safely close and latch as pressurisation takes place. This must also be shown with any single failure and malfunction except that:

(i) with failures or malfunctions in the latching mechanism, it need not latch after closing, and

(ii) with jamming as a result of mechanical failure or blocking debris, the door need not close and latch if it can be shown that the pressurisation loads on the jammed door or mechanism would not result in an unsafe condition.

(d) *Latching and locking.* The latching and locking mechanisms must be designed as follows:

(1) There must be a provision to latch each door.

(2) The latches and their operating mechanism must be designed so that, under all aeroplane flight and ground loading conditions, with the door latched, there is no force or torque tending to unlatch the latches. In addition, the latching system must include a means to secure the latches in the latched position. This means must be independent of the locking system.

(3) Each door subject to pressurisation, and for which the initial opening movement is not inward, must:

(i) have an individual lock for each latch;

(ii) have the lock located as close as practicable to the latch; and

(iii) be designed so that, during pressurised flight, no single failure in the locking system would prevent the locks from restraining the latches necessary to secure the door.

(4) Each door for which the initial opening movement is inward, and unlatching of the door could result in a hazard, must have a locking means to prevent the latches from becoming disengaged. The locking means must ensure sufficient latching to prevent opening of the door even with a single failure of the latching mechanism.

(5) It must not be possible to position the lock in the locked position if the latch and the latching mechanism are not in the latched position.

(6) It must not be possible to unlatch the latches with the locks in the locked position. Locks must be designed to withstand the limit loads resulting from:

(i) the maximum operator effort when the latches are operated manually;

(ii) the powered latch actuators, if installed; and

(iii) the relative motion between the latch and the structural counterpart.

(7) Each door for which unlatching would not result in a hazard is not required to have a locking mechanism meeting the requirements of sub-paragraphs (d)(3) through (d)(6) of this paragraph.

(8) A door that could result in a hazard if not closed, must have means to prevent the latches from being moved to the latched position unless it can be shown that a door that is not closed would be clearly evident before flight.

(e) *Warning, caution, and advisory indications.* Doors must be provided with the following indications:

(1) There must be a positive means to indicate at the door operator's station that all required operations to close, latch, and lock the door(s) have been completed.

(2) There must be a positive means, clearly visible from each operator station for

CS-25 BOOK 1

each door that could be a hazard if unlatched, to indicate if the door is not fully closed, latched, and locked.

(3) There must be a visual means on the flight deck to signal the pilots if any door is not fully closed, latched, and locked. The means must be designed such that any failure or combination of failures that would result in an erroneous closed, latched, and locked indication is remote for:

(i) each door that is subject to pressurisation and for which the initial opening movement is not inward; or

(ii) each door that could be a hazard if unlatched.

(4) There must be an aural warning to the pilots prior to or during the initial portion of take-off roll if any door is not fully closed, latched, and locked, and its opening would prevent a safe take-off and return to landing.

(f) Visual inspection provision. Each door for which unlatching could be a hazard must have a provision for direct visual inspection to determine, without ambiguity, if the door is fully closed, latched, and locked. The provision must be permanent and discernible under operational lighting conditions, or by means of a flashlight or equivalent light source.

(g) *Certain maintenance doors, removable emergency exits, and access panels.* Some doors not normally opened except for maintenance purposes or emergency evacuation and some access panels need not comply with certain sub-paragraphs of this paragraph as follows:

(1) Access panels that are not subject to cabin pressurisation and would not be a hazard if open during flight need not comply with sub-paragraphs (a) through (f) of this paragraph, but must have a means to prevent inadvertent opening during flight.

(2) Inward-opening removable emergency exits that are not normally removed, except for maintenance purposes or emergency evacuation, and flight deck-openable windows need not comply with sub-paragraphs (c) and (f) of this paragraph.

(3) Maintenance doors that meet the conditions of sub-paragraph (h) of this paragraph, and for which a placard is provided limiting use to maintenance

access, need not comply with sub-paragraphs (c) and (f) of this paragraph.

(h) *Doors that are not a hazard.* For the purposes of this paragraph, a door is considered not to be a hazard in the unlatched condition during flight, provided it can be shown to meet all of the following conditions:

(1) Doors in pressurised compartments would remain in the fully closed position if not restrained by the latches when subject to a pressure greater than 3.447 kPa (0.5 psi). Opening by persons, either inadvertently or intentionally, need not be considered in making this determination.

(2) The door would remain inside the aeroplane or remain attached to the aeroplane if it opens either in pressurised or unpressurised portions of the flight. This determination must include the consideration of inadvertent and intentional opening by persons during either pressurised or unpressurised portions of the flight.

(3) The disengagement of the latches during flight would not allow depressurisation of the cabin to an unsafe level. This safety assessment must include the physiological effects on the occupants.

(4) The open door during flight would not create aerodynamic interference that could preclude safe flight and landing.

(5) The aeroplane would meet the structural design requirements with the door open. This assessment must include the aeroelastic stability requirements of CS 25.629, as well as the strength requirements of Subpart C.

(6) The unlatching or opening of the door must not preclude safe flight and landing as a result of interaction with other systems or structures.

[Amdt. No.: 25/4]

CS 25.785 Seats, berths, safety belts and harnesses

(a) A seat (or berth for a non-ambulant person) must be provided for each occupant who has reached his or her second birthday.

(b) Each seat, berth, safety belt, harness, and adjacent part of the aeroplane at each station designated as occupiable during take-off and landing must be designed so that a

CS-25 BOOK 1

person making proper use of these facilities will not suffer serious injury in an emergency landing as a result of the inertia forces specified in CS 25.561 and CS 25.562. However, berths intended only for the carriage of medical patients (e.g. stretchers) need not comply with the requirements of CS 25.562.

(c) Each seat or berth must be approved.

(d) Each occupant of a seat (see AMC 25.785(d)) that makes more than an 18-degree angle with the vertical plane containing the aeroplane centreline must be protected from head injury by a safety belt and an energy absorbing rest that will support the arms, shoulders, head and spine, or by a safety belt and shoulder harness that will prevent the head from contacting any injurious object. Each occupant of any other seat must be protected from head injury by a safety belt and, as appropriate to the type, location, and angle of facing of each seat, by one or more of the following:

(1) A shoulder harness that will prevent the head from contacting any injurious object.

(2) The elimination of any injurious object within striking radius of the head.

(3) An energy absorbing rest that will support the arms, shoulders, head and spine.

(e) Each berth must be designed so that the forward part has a padded end board, canvas diaphragm, or equivalent means, that can withstand the static load reaction of the occupant when subjected to the forward inertia force specified in CS 25.561. Berths must be free from corners and protuberances likely to cause injury to a person occupying the berth during emergency conditions.

(f) Each seat or berth, and its supporting structure, and each safety belt or harness and its anchorage must be designed for an occupant weight of 77 kg (170 pounds), considering the maximum load factors, inertia forces, and reactions among the occupant, seat, safety belt, and harness for each relevant flight and ground load condition (including the emergency landing conditions prescribed in CS 25.561). In addition –

(1) The structural analysis and testing of the seats, berths, and their supporting structures may be determined by assuming that the critical load in the forward, sideward, downward, upward, and

rearward directions (as determined from the prescribed flight, ground, and emergency landing conditions) acts separately or using selected combinations of loads if the required strength in each specified direction is substantiated. The forward load factor need not be applied to safety belts for berths.

(2) Each pilot seat must be designed for the reactions resulting from the application of the pilot forces prescribed in CS 25.395.

(3) For the determination of the strength of the local attachments of –

(i) Each seat to the structure; and

(ii) Each belt or harness to the seat or structure; a multiplication factor of 1.33 instead of the fitting factor as defined in CS 25.625 should be used for the inertia forces specified in CS 25.561. (For the lateral forces according to CS 25.561(b)(3) 1.33 times 3.0 g should be used.)

(g) Each crewmember seat at a flight-deck station must have a shoulder harness. These seats must meet the strength requirements of sub-paragraph (f) of this paragraph, except that where a seat forms part of the load path, the safety belt or shoulder harness attachments need only be proved to be not less strong than the actual strength of the seat. (See AMC 25.785 (g).)

(h) Each seat located in the passenger compartment and designated for use during take-off and landing by a cabin crew member required by the Operating Rules must be –

(1) Near a required floor level emergency exit, except that another location is acceptable if the emergency egress of passengers would be enhanced with that location. A cabin crew member seat must be located adjacent to each Type A or B emergency exit. Other cabin crew member seats must be evenly distributed among the required floor level emergency exits to the extent feasible.

(2) To the extent possible, without compromising proximity to a required floor level emergency exit, located to provide a direct view of the cabin area for which the cabin crewmember is responsible.

CS-25 BOOK 1

(3) Positioned so that the seat will not interfere with the use of a passageway or exit when the seat is not in use.

(4) Located to minimise the probability that occupants would suffer injury by being struck by items dislodged from service areas, stowage compartments, or service equipment.

(5) Either forward or rearward facing with an energy absorbing rest that is designed to support the arms, shoulders, head and spine.

(6) Equipped with a restraint system consisting of a combined safety belt and shoulder harness unit with a single point release. There must be means to secure each restraint system when not in use to prevent interference with rapid egress in an emergency.

(i) Each safety belt must be equipped with a metal-to-metal latching device.

(j) If the seat backs do not provide a firm handhold, there must be a handgrip or rail along each aisle to enable persons to steady themselves while using the aisles in moderately rough air.

(k) Each projecting object that would injure persons seated or moving about the aeroplane in normal flight must be padded.

(l) Each forward observer's seat required by the operating rules must be shown to be suitable for use in conducting the necessary en-route inspections.

[Amdt. No.: 25/11]

[Amdt. No.: 25/12]

CS 25.787 Stowage compartments

(a) Each compartment for the stowage of cargo, baggage, carry-on articles and equipment (such as life rafts) and any other stowage compartment must be designed for its placarded maximum weight of contents and for the critical load distribution at the appropriate maximum load factors corresponding to the specified flight and ground load conditions and, where the breaking loose of the contents of such compartments could—

(1) Cause direct injury to occupants;

(2) Penetrate fuel tanks or lines or cause fire or explosion hazard by damage to adjacent systems; or

(3) Nullify any of the escape facilities provided for use after an emergency landing, to the emergency landing conditions of CS 25.561(b)(3).

If the aeroplane has a passenger-seating configuration, excluding pilot seats, of 10 seats or more, each stowage compartment in the passenger cabin, except for under seat and overhead compartments for passenger convenience, must be completely enclosed.

(b) There must be a means to prevent the contents in the compartments from becoming a hazard by shifting, under the loads specified in sub-paragraph (a) of this paragraph. (See AMC 25.787(b).)

(c) If cargo compartment lamps are installed, each lamp must be installed so as to prevent contact between lamp bulb and cargo.

CS 25.789 Retention of items of mass in passenger and crew compartments and galleys

(a) Means must be provided to prevent each item of mass (that is part of the aeroplane type design) in a passenger or crew compartment or galley from becoming a hazard by shifting under the appropriate maximum load factors corresponding to the specified flight and ground load conditions, and to the emergency landing conditions of CS 25.561(b).

(b) Each interphone restraint system must be designed so that when subjected to the load factors specified in CS 25.561 (b)(3), the interphone will remain in its stowed position.

CS 25.791 Passenger information signs and placards

(See AMC 25.791)

(a) If smoking is to be prohibited, there must be at least one placard so stating that is legible to each person seated in the cabin. If smoking is to be allowed, and if the crew compartment is separated from the passenger compartment, there must be at least one sign notifying when smoking is prohibited. Signs, which notify when smoking is prohibited, must be installed so as to be operable from either pilot's seat and, when illuminated, must be legible under all probable conditions of cabin illumination to each person seated in the cabin.

(b) Signs that notify when seat belts should be fastened and that are installed to

CS-25 BOOK 1

comply with the Operating Rules must be installed so as to be operable from either pilot's seat and, when illuminated, must be legible under all probable conditions of cabin illumination to each person seated in the cabin.

(c) A placard must be located on or adjacent to the door of each receptacle used for the disposal of flammable waste materials to indicate that use of the receptacle for disposal of cigarettes, etc., is prohibited.

(d) Lavatories must have 'No Smoking' or 'No Smoking in Lavatory' placards positioned adjacent to each ashtray. The placards must have red letters at least 13 mm (0.5 inches) high on a white background of at least 25 mm (1.0 inches) high. (A No Smoking symbol may be included on the placard.)

(e) Symbols that clearly express the intent of the sign or placard may be used in lieu of letters.

CS 25.793 Floor surfaces

The floor surface of all areas, which are likely to become wet in service, must have slip resistant properties.

CS 25.795 Security considerations

(see AMC 25.795)

(a) Protection of flightdeck. If a secure flightdeck door is required by operating rules, the bulkhead, door, and any other accessible boundary separating the flight crew compartment from occupied areas must be designed to:

(1) Resist forcible intrusion by unauthorised persons and be capable of withstanding impacts of 300 Joules (221.3 foot-pounds), as well as a 1113 Newton (250 pound) tensile load on accessible handholds, including the doorknob or handle, and

(2) Resist penetration by small arms fire and fragmentation devices by meeting the following projectile definitions and projectile speeds.

(i) Demonstration Projectile #1. A 9 mm full metal jacket, round nose (FMJ RN) bullet with nominal mass of 8.0 g (124 grain) and reference velocity 436 m/s (1,430 ft/s)

(ii) Demonstration Projectile #2. A .44 Magnum, jacketed hollow point (JHP) bullet with nominal mass of 15.6 g (240 grain) and reference velocity 436 m/s (1,430 ft/s)

(b) Aeroplanes with a certificated passenger seating capacity of more than 60 persons or a maximum take-off weight of over 45 500 Kg (100 000 lb) must be designed to limit the effects of an explosive or incendiary device as follows:

(1) Flight deck smoke protection. Means must be provided to limit entry of smoke, fumes, and noxious gases into the flight deck.

(2) Passenger cabin smoke protection. Except for aeroplanes intended to be used solely for the transport of cargo, means must be provided to prevent passenger incapacitation in the cabin resulting from smoke, fumes, and noxious gases as represented by the initial combined volumetric concentrations of 0.59% carbon monoxide and 1.23% carbon dioxide.

(3) Cargo compartment fire suppression. An extinguishing agent must be capable of suppressing a fire. All cargo-compartment fire suppression-system components must be designed to withstand the following effects, including support structure displacements or adjacent materials displacing against the distribution system:

(i) Impact or damage from a 13 mm (0.5-inch) -diameter aluminium sphere travelling at 131 m/s (430 feet per second);

(ii) A 103 kPa (15 psi) pressure load if the projected surface area of the component is greater than 0,4 square meter (4 square feet). Any single dimension greater than 1,2 meters (4 feet) may be assumed to be 1,2 meters (4 feet) in length; and

(iii) A 15 cm (6-inch) displacement, except where limited by the fuselage contour, from a single point force applied anywhere along the distribution system where relative movement between the system and its attachment can occur.

(iv) Paragraphs (b)(3)(i) through (iii) of this paragraph do not apply to

CS-25 BOOK 1

components that are redundant and separated in accordance with paragraph (c)(2) of this paragraph or are installed remotely from the cargo compartment.

(c) An aeroplane with a certificated passenger seating capacity of more than 60 persons or a maximum take-off weight of over 45 500 Kg (100,000 lbs) must comply with the following:

(1) Least risk bomb location. Except for aeroplanes intended to be used solely for the transport of cargo, an aeroplane must be designed with a designated location where a bomb or other explosive device could be placed to best protect integrity of the structure and flight-critical systems from damage in the case of detonation.

(2) Survivability of systems.

(i) Except where impracticable, redundant aeroplane systems necessary for continued safe flight and landing must be physically separated, at a minimum, by an amount equal to a sphere of diameter

$$D = 2\sqrt{(H_0 / \pi)}$$

(where H_0 is defined under paragraph 25.365(e)(2) and D need not exceed 1,54 meters (5.05 feet).

The sphere is applied everywhere within the fuselage-limited by the forward bulkhead and the aft bulkhead of the passenger cabin and cargo compartment beyond which only one-half the sphere is applied.

(ii) Where compliance with subparagraph (c)(2)(i) of this paragraph is impracticable, other design precautions must be taken to maximise the survivability of those systems.

(3) Interior design to facilitate searches. Except for aeroplanes intended to be used solely for the transport of cargo, design features must be incorporated that will deter concealment or promote discovery of weapons, explosives, or other objects from a simple inspection in the following areas of the aeroplane cabin:

(i) Areas above the overhead bins must be designed to prevent

objects from being hidden from view in a simple search from the aisle. Designs that prevent concealment of objects with volumes 0.33 cubic decimetre (20 cubic inches) and greater satisfy this requirement.

(ii) Toilets must be designed to prevent the passage of solid objects greater than 5 cm (2.0 inches) in diameter.

(iii) Life preservers or their storage locations must be designed so that tampering is evident.

[Amdt. No.: 25/9]

EMERGENCY PROVISIONS**CS 25.801 Ditching**

(a) If certification with ditching provisions is requested, the aeroplane must meet the requirements of this paragraph and CS 25.807(e), 25.1411 and 25.1415(a).

(b) Each practicable design measure, compatible with the general characteristics of the aeroplane, must be taken to minimise the probability that in an emergency landing on water, the behaviour of the aeroplane would cause immediate injury to the occupants or would make it impossible for them to escape.

(c) The probable behaviour of the aeroplane in a water landing must be investigated by model tests or by comparison with aeroplanes of similar configuration for which the ditching characteristics are known. Scoops, wing-flaps, projections, and any other factor likely to affect the hydrodynamic characteristics of the aeroplane, must be considered.

(d) It must be shown that, under reasonably probable water conditions, the flotation time and trim of the aeroplane will allow the occupants to leave the aeroplane and enter the life rafts required by CS 25.1415. If compliance with this provision is shown by buoyancy and trim computations, appropriate allowances must be made for probable structural damage and leakage. If the aeroplane has fuel tanks (with fuel jettisoning provisions) that can reasonably be expected to withstand a ditching without leakage, the jettisonable volume of fuel may be considered as buoyancy volume.

CS-25 BOOK 1

(e) Unless the effects of the collapse of external doors and windows are accounted for in the investigation of the probable behaviour of the aeroplane in a water landing (as prescribed in sub-paragraphs (c) and (d) of this paragraph), the external doors and windows must be designed to withstand the probable maximum local pressures.

CS 25.803 Emergency evacuation
(See AMC 25.803)

(a) Each crew and passenger area must have emergency means to allow rapid evacuation in crash landings, with the landing gear extended as well as with the landing gear retracted, considering the possibility of the aeroplane being on fire.

(b) Reserved.

(c) For aeroplanes having a seating capacity of more than 44 passengers, it must be shown that the maximum seating capacity, including the number of crew members required by the operating rules for which certification is requested, can be evacuated from the aeroplane to the ground under simulated emergency conditions within 90 seconds. Compliance with this requirement must be shown by actual demonstration using the test criteria outlined in Appendix J of this CS-25 unless the Agency find that a combination of analysis and testing will provide data equivalent to that which would be obtained by actual demonstration.

CS 25.807 Emergency exits
(See AMC 25.807)

(a) *Type*. For the purpose of this CS-25, the types of exits are defined as follows:

(1) *Type I*. This type is a floor level exit with a rectangular opening of not less than 61 cm (24 inches) wide by 1.22 m (48 inches) high, with corner radii not greater than 20.3 cm (8 inches).

(2) *Type II*. This type is a rectangular opening of not less than 51 cm (20 inches) wide by 1.12 m (44 inches) high, with corner radii not greater than 17.8 cm (7 inches). Type II exits must be floor-level exits unless located over the wing, in which case they must not have a step-up inside the aeroplane of more than 25 cm (10 inches) nor a step-down outside the aeroplane of more than 43 cm (17 inches).

(3) *Type III*. This type is a rectangular opening of not less than 51 cm (20 inches) wide by 91.4 cm (36 inches) high, with corner radii not greater than 17.8 cm (7 inches), and with a step-up inside the aeroplane of not more than 51 cm (20 inches). If the exit is located over the wing, the step-down outside the aeroplane may not exceed 69 cm (27 inches).

(4) *Type IV*. This type is a rectangular opening of not less than 48 cm (19 inches) wide by 66 cm (26 inches) high, with corner radii not greater than 16 cm (6.3 inches), located over the wing, with a step-up inside the aeroplane of not more than 73.7 cm (29 inches) and a step-down outside the aeroplane of not more than 91.4 cm (36 inches).

(5) *Ventral*. This type is an exit from the passenger compartment through the pressure shell and the bottom fuselage skin. The dimensions and physical configuration of this type of exit must allow at least the same rate of egress as a Type I exit with the aeroplane in the normal ground attitude, with landing gear extended.

(6) *Tail cone*. This type is an aft exit from the passenger compartment through the pressure shell and through an openable cone of the fuselage aft of the pressure shell. The means of opening the tail cone must be simple and obvious and must employ a single operation.

(7) *Type A*. This type is a floor-level exit with a rectangular opening of not less than 1.07 m (42 inches) wide by 1.83 m (72 inches) high, with corner radii not greater than 17.8 cm (7 inches).

(8) *Type B*. This type is a floor-level exit with a rectangular opening of not less than 81.3 cm (32 inches) wide by 182.9 cm (72 inches) high, with corner radii not greater than 15.3 cm (6 inches).

(9) *Type C*. This type is a floor-level exit with a rectangular opening of not less than 76.2 cm (30 inches) wide by 121.9 cm (48 inches) high, with corner radii not greater than 25.4 cm (10 inches).

(b) *Step down distance*. Step down distance, as used in this paragraph, means the actual distance between the bottom of the required opening and a usable foot hold, extending out from the fuselage, that is large

CS-25 BOOK 1

enough to be effective without searching by sight or feel.

(c) *Over-sized exits.* Openings larger than those specified in this paragraph, whether or not of rectangular shape, may be used if the specified rectangular opening can be inscribed within the opening and the base of the inscribed rectangular opening meets the specified step-up and step-down heights.

(d) *Asymmetry.* Exits of an exit pair need not be diametrically opposite each other nor of the same size; however, the number of passenger seats permitted under subparagraph (g) of this paragraph is based on the smaller of the two exits.

(e) *Uniformity.* Exits must be distributed as uniformly as practical, taking into account passenger seat distribution.

(f) *Location.*

(1) Each required passenger emergency exit must be accessible to the passengers and located where it will afford the most effective means of passenger evacuation.

(2) If only one floor-level exit per side is prescribed, and the aeroplane does not have a tail cone or ventral emergency exit, the floor-level exits must be in the rearward part of the passenger compartment unless another location affords a more effective means of passenger evacuation.

(3) If more than one floor-level exit per side is prescribed, and the aeroplane does not have a combination cargo and passenger configuration, at least one floor-level exit must be located on each side near each end of the cabin.

(4) For an aeroplane that is required to have more than one passenger emergency exits for each side of the fuselage, no passenger emergency exit shall be more than 18.3 metres (60 feet) from any adjacent passenger emergency exit on the same side of the same deck of the fuselage, as measured parallel to the aeroplane's longitudinal axis between the nearest edges.

(g) *Type and number required.* The maximum number of passenger seats permitted depends on the type and number of exits installed on each side of the fuselage. Except as further restricted in subparagraphs (g)(1) through (g)(9) of this paragraph, the

maximum number of passenger seats permitted for each exit of a specific type installed on each side of the fuselage is as follows:

Type A	110
Type B	75
Type C	55
Type I	45
Type II	40
Type III	35
Type IV	9

(1) For a passenger seating configuration of 1 to 9 seats, there must be at least one Type IV or larger over-wing exit on each side of the fuselage or, if over-wing exits are not provided, at least one exit on each side that meets the minimum dimensions of a Type III exit.

(2) For a passenger seating configuration of more than 9 seats, each exit must be a Type III or larger exit.

(3) For a passenger seating configuration of 10 to 19 seats, there must be at least one Type III or larger exit on each side of the fuselage.

(4) For a passenger seating configuration of 20 to 40 seats, there must be at least two exits, one of which must be a Type II or larger exit, on each side of the fuselage.

(5) For a passenger seating configuration of 41 to 110 seats, there must be at least two exits, one of which must be a Type I or larger exit, on each side of the fuselage.

(6) For a passenger seating configuration of more than 110 seats, the emergency exits on each side of the fuselage must include at least two Type I or larger exits.

(7) The combined maximum number of passenger seats permitted for all Type III exits is 70, and the combined maximum number of passenger seats permitted for two Type III exits on each side of the fuselage that are separated by fewer than three passenger seat rows is 65.

(8) If a Type A, Type B, or Type C exit is installed, there must be at least two Type C or larger exits on each side of the fuselage.

CS-25 BOOK 1

(9) If a passenger ventral or tail cone exit is installed and that exit provides at least the same rate of egress as a Type III exit with the aeroplane in the most adverse exit opening condition that would result from the collapse of one or more legs of the landing gear, an increase in the passenger seating configuration is permitted as follows:

(i) For a ventral exit, 12 additional passenger seats.

(ii) For a tail cone exit incorporating a floor-level opening of not less than 50.8 cm (20 inches) wide by 1.52 m (60 inches) high, with corner radii not greater than 17.8 cm (7 inches), in the pressure shell and incorporating an approved assisting means in accordance with CS 25.810(a), 25 additional passenger seats.

(iii) For a tail cone exit incorporating an opening in the pressure shell which is at least equivalent to a Type III emergency exit with respect to dimensions, step-up and step-down distance, and with the top of the opening not less than 1.42 m (56 inches) from the passenger compartment floor, 15 additional passenger seats.

(h) *Other exits.* The following exits must also meet the applicable emergency exit requirements of CS 25.809 through 25.812, and must be readily accessible:

(1) Each emergency exit in the passenger compartment in excess of the minimum number of required emergency exits.

(2) Any other floor-level door or exit that is accessible from the passenger compartment and is as large or larger than a Type II exit, but less than 1.17 m (46 inches) wide.

(3) Any other ventral or tail cone passenger exit.

(i) *Ditching emergency exits for passengers.* Whether or not ditching certification is requested, ditching emergency exits must be provided in accordance with the following conditions, unless the emergency exits required by subparagraph (g) of this paragraph already meet them:

(1) For aeroplanes that have a passenger seating configuration of

nine seats or less, excluding pilot seats, one exit above the waterline in each side of the aeroplane, meeting at least the dimensions of a Type IV exit.

(2) For aeroplanes that have a passenger seating configuration of 10 seats or more, excluding pilot seats, one exit above the waterline in a side of the aeroplane, meeting at least the dimensions of a Type III exit for each unit (or part of a unit) of 35 passenger seats, but no less than two such exits in the passenger cabin, with one on each side of the aeroplane. The passenger seat/exit ratio may be increased through the use of larger exits, or other means, provided it is shown that the evacuation capability during ditching has been improved accordingly.

(3) If it is impractical to locate side exits above the waterline, the side exits must be replaced by an equal number of readily accessible overhead hatches of not less than the dimensions of a Type III exit, except that for aeroplanes with a passenger configuration of 35 seats or less, excluding pilot seats, the two required Type III side exits need to be replaced by only one overhead hatch.

(j) *Flight crew emergency exits.* For aeroplanes in which the proximity of passenger emergency exits to the flight crew area does not offer a convenient and readily accessible means of evacuation of the flight crew, and for all aeroplanes having a passenger seating capacity greater than 20, flight crew exits must be located in the flight crew area. Such exits must be of sufficient size and so located as to permit rapid evacuation by the crew. One exit must be provided on each side of the aeroplane; or, alternatively, a top hatch must be provided. Each exit must encompass an unobstructed rectangular opening of at least 48.3 cm by 50.8 cm (19 by 20 inches) unless satisfactory exit utility can be demonstrated by a typical crew member.

[Amdt. No.: 25/4]

[Amdt. No.: 25/5]

[Amdt. No.: 25/6]

[Amdt. No.: 25/12]

CS-25 BOOK 1**CS 25.809 Emergency exit arrangement**
(See AMC 25.809(a))

(a)

(1) Each emergency exit, including a flight crew emergency exit, must be a movable door or hatch in the external walls of the fuselage, allowing unobstructed opening to the outside.

(2) Each emergency exit, including a flight crew emergency exit, must have means to permit viewing of the conditions outside the exit when the exit is closed, in all ambient lighting conditions with the landing gears extended or in any condition of collapse. The viewing means may be on or adjacent to the exit provided no obstructions exist between the exit and the viewing means.

(3) For non-over-wing passenger emergency exits, a means must also be provided to permit viewing of the likely areas of evacuee ground contact when the exit is closed with the landing gears extended or in any condition of collapse. Furthermore, the likely areas of evacuee ground contact must be viewable with the exit closed during all ambient lighting conditions when all landing gears are extended.

(b) Each emergency exit must be openable from the inside and the outside except that sliding window emergency exits in the flight crew area need not be openable from the outside if other approved exits are convenient and readily accessible to the flight crew area. Inward opening doors may be used if there are means to prevent occupants from crowding against the door to an extent that would interfere with the opening of the door. Each emergency exit must be capable of being opened, when there is no fuselage deformation –

(1) With the aeroplane in the normal ground attitude and in each of the attitudes corresponding to collapse of one or more legs of the landing gear; and

(2) Within 10 seconds measured from the time when the opening means is actuated to the time when the exit is fully opened.

(3) Even though persons may be crowded against the door on the inside of the aeroplane.

(c) The means of opening emergency exits must be simple and obvious and may not require exceptional effort; and must be arranged and marked so that it can be readily located and operated, even in darkness. Internal exit opening means involving sequence operations (such as operation of two handles or latches or the release of safety catches) may be used for flight crew emergency exits if it can be reasonably established that these means are simple and obvious to crew members trained in their use.

(d) If a single power-boost or single power-operated system is the primary system for operating more than one exit in an emergency, each exit must be capable of meeting the requirements of sub-paragraph (b) of this paragraph in the event of failure of the primary system. Manual operation of the exit (after failure of the primary system) is acceptable.

(e) Each emergency exit must be shown by tests, or by a combination of analysis and tests, to meet the requirements of sub-paragraphs (b) and (c) of this paragraph.

(f) Each door must be located where persons using them will not be endangered by the propellers when appropriate operating procedures are used.

(g) There must be provisions to minimise the probability of jamming of the emergency exits resulting from fuselage deformation in a minor crash landing.

(h) [Reserved]

(i) Each emergency exit must have a means to retain the exit in the open position, once the exit is opened in an emergency. The means must not require separate action to engage when the exit is opened, and must require positive action to disengage.

[Amdt. No.: 25/4]

[Amdt. No.: 25/12]

CS 25.810 Emergency egress assisting means and escape routes
(See AMC 25.810(c)(2))

(a) Each non-over-wing Type A, Type B or Type C exit, and any other non-over-wing landplane emergency exit more than 1.8 m (6 feet) from the ground with the aeroplane on the ground and the landing gear extended, must have an approved means to assist the occupants in descending to the ground.

CS-25 BOOK 1

(1) The assisting means for each passenger emergency exit must be a self-supporting slide or equivalent; and, in the case of a Type A or Type B exits, it must be capable of carrying simultaneously two parallel lines of evacuees. In addition, the assisting means must be designed to meet the following requirements:

(i) It must be automatically deployed and deployment must begin during the interval between the time the exit opening means is actuated from inside the aeroplane and the time the exit is fully opened. However, each passenger emergency exit which is also a passenger entrance door or a service door must be provided with means to prevent deployment of the assisting means when it is opened from either the inside or the outside under non-emergency conditions for normal use.

(ii) Except for assisting means installed at Type C exits, it must be automatically erected within 6 seconds after deployment is begun or within 10 seconds from the time the opening means of the exit is actuated. Assisting means installed at Type C exits must be automatically erected within 10 seconds from the time the opening means of the exit is actuated.

(iii) It must be of such length after full deployment that the lower end is self-supporting on the ground and provides safe evacuation of occupants to the ground after collapse of one or more legs of the landing gear.

(iv) It must have the capability, in 46 km/hr (25-knot) winds directed from the most critical angle, simultaneously with any engine(s) running at ground idle, to deploy and, with the assistance of only one person, to remain usable after full deployment to evacuate occupants safely to the ground.

(v) For each system installation (mock-up or aeroplane installed), five consecutive deployment and inflation tests must be conducted (per exit) without failure, and at least three tests of each such five-test series must be conducted using a single representative sample

of the device. The sample devices must be deployed and inflated by the system's primary means after being subjected to the inertia forces specified in CS 25.561(b). If any part of the system fails or does not function properly during the required tests, the cause of the failure or malfunction must be corrected by positive means and after that, the full series of five consecutive deployment and inflation tests must be conducted without failure.

(2) The assisting means for flight crew emergency exits may be a rope or any other means demonstrated to be suitable for the purpose. If the assisting means is a rope, or an approved device equivalent to a rope, it must be—

(i) Attached to the fuselage structure at or above the top of the emergency exit opening, or, for a device at a pilot's emergency exit window, at another approved location if the stowed device, or its attachment, would reduce the pilot's view in flight.

(ii) Able (with its attachment) to withstand a 1779 N (400-lbf) static load.

(b) Assisting means from the cabin to the wing are required for each Type A or Type B exit located above the wing and having a step-down unless the exit without an assisting means can be shown to have a rate of passenger egress at least equal to that of the same type of non-over-wing exit. If an assisting means is required, it must be automatically deployed and automatically erected, concurrent with the opening of the exit. In the case of assisting means installed at Type C exits, it must be self-supporting within 10 seconds from the time the opening means of the exits is actuated. For all other exit types, it must be self-supporting 6 seconds after deployment is begun.

(c) An escape route must be established from each over-wing emergency exit, and (except for flap surfaces suitable as slides) covered with a slip resistant surface. Except where a means for channelling the flow of evacuees is provided —

(1) The escape route from each Type A or Type B emergency exit, or any common escape route from two Type III emergency exits, must be at least 1.07 m

CS-25 BOOK 1

(42 inches) wide; that from any other passenger emergency exit must be at least 61 cm (24 inches) wide; and

(2) The escape route surface must have a reflectance of at least 80 %, and must be defined by markings with a surface-to-marking contrast ratio of at least 5:1.

(d) Assisting means must be provided to enable evacuees to reach the ground for all Type C exits located over the wing and, if the place on the aeroplane structure at which the escape route required in subparagraph (c) of this paragraph terminates, is more than 1.8 m (6 feet) from the ground with the aeroplane on the ground and the landing gear extended, for all other exit types.

(1) If the escape route is over a flap, the height of the terminal edge must be measured with the flap in the take-off or landing position, whichever is higher from the ground.

(2) The assisting means must be usable and self-supporting with one or more landing gear legs collapsed and under a 46 km/hr (25-knot) wind directed from the most critical angle.

(3) The assisting means provided for each escape route leading from a Type A or B emergency exit must be capable of carrying simultaneously two parallel lines of evacuees; and, the assisting means leading from any other exit type must be capable of carrying simultaneously as many parallel lines of evacuees as there are required escape routes.

(4) The assisting means provided for each escape route leading from a Type C exit must be automatically erected within 10 seconds from the time the opening means of the exit is actuated, and that provided for the escape route leading from any other exit type must be automatically erected within 10 seconds after actuation of the erection system.

(e) If an integral stair is installed in a passenger entry door that is qualified as a passenger emergency exit, the stair must be designed so that, under the following conditions, the effectiveness of passenger emergency egress will not be impaired:

(1) The door, integral stair, and operating mechanism have been subjected to the inertia forces specified in CS

25.561(b)(3), acting separately relative to the surrounding structure.

(2) The aeroplane is in the normal ground attitude and in each of the attitudes corresponding to collapse of one or more legs of the landing gear.

[Amdt No: 25/4]

[Amdt No: 25/12]

[Amdt No: 25/13]

CS 25.811 Emergency exit marking

(a) Each passenger emergency exit, its means of access, and its means of opening must be conspicuously marked.

(b) The identity and location of each passenger emergency exit must be recognisable from a distance equal to the width of the cabin.

(c) Means must be provided to assist the occupants in locating the exits in conditions of dense smoke.

(d) The location of each passenger emergency exit must be indicated by a sign visible to occupants approaching along the main passenger aisle (or aisles). There must be –

(1) A passenger emergency exit locator sign above the aisle (or aisles) near each passenger emergency exit, or at another overhead location if it is more practical because of low headroom, except that one sign may serve more than one exit if each exit can be seen readily from the sign;

(2) A passenger emergency exit marking sign next to each passenger emergency exit, except that one sign may serve two such exits if they both can be seen readily from the sign; and

(3) A sign on each bulkhead or divider that prevents fore and aft vision along the passenger cabin to indicate emergency exits beyond and obscured by the bulkhead or divider, except that if this is not possible the sign may be placed at another appropriate location.

(e) The location of the operating handle and instructions for opening exits from the inside of the aeroplane must be shown in the following manner:

CS-25 BOOK 1

(1) Each passenger emergency exit must have, on or near the exit, a marking that is readable from a distance of 76 cm (30 inches).

(2) Each passenger emergency exit operating handle and the cover removal instructions, if the operating handle is covered, must –

(i) Be self-illuminated with an initial brightness of at least 0.51 candela/m² (160 microlamberts), or

(ii) Be conspicuously located and well illuminated by the emergency lighting even in conditions of occupant crowding at the exit.

(3) [Reserved]

(4) All Type II and larger passenger emergency exits with a locking mechanism released by motion of a handle, must be marked by a red arrow with a shaft at least 19 mm (0.75 inches) wide, adjacent to the handle, that indicates the full extent and direction of the unlocking motion required. The word OPEN must be horizontally situated adjacent to the arrowhead and must be in red capital letters at least 25 mm (1 inch) high. The arrow and word OPEN must be located on a background, which provides adequate contrast. (See AMC 25.811 (e)(4).)

(f) Each emergency exit that is required to be openable from the outside, and its means of opening, must be marked on the outside of the aeroplane. In addition, the following apply:

(1) The outside marking for each passenger emergency exit in the side of the fuselage must include a 51 mm (2 inch) coloured band outlining the exit.

(2) Each outside marking including the band must have colour contrast to be readily distinguishable from the surrounding fuselage surface. The contrast must be such that if the reflectance of the darker colour is 15% or less, the reflectance of the lighter colour must be at least 45%. 'Reflectance' is the ratio of the luminous flux reflected by a body to the luminous flux it receives. When the reflectance of the darker colour is greater than 15%, at least a 30% difference between its reflectance and the reflectance of the lighter colour must be provided.

(3) In the case of exits other than those in the side of the fuselage, such as ventral or tail cone exits, the external means of opening, including instructions if applicable, must be conspicuously marked in red, or bright chrome yellow if the background colour is such that red is inconspicuous. When the opening means is located on only one side of the fuselage, a conspicuous marking to that effect must be provided on the other side.

(g) Each sign required by sub-paragraph (d) of this paragraph may use the word 'exit' in its legend in place of the term 'emergency exit' or a universal symbolic exit sign (See AMC 25.812(b)(1), AMC 25.812(b)(2) and AMC 25.812(e)(2)). The design of exit signs must be chosen to provide a consistent set throughout the cabin.

[Amdt. No.: 25/3]

CS 25.812 Emergency lighting (See AMC 25.812)

(a) An emergency lighting system, independent of the main lighting system, must be installed. However, the sources of general cabin illumination may be common to both the emergency and the main lighting systems if the power supply to the emergency lighting system is independent of the power supply to the main lighting system. The emergency lighting system must include-

(1) Illuminated emergency exit marking and locating signs, sources of general cabin illumination, interior lighting in emergency exit areas, and floor proximity escape path marking.

(2) Exterior emergency lighting.

(b) Emergency exit signs –

(1) For aeroplanes that have a passenger-seating configuration, excluding pilot seats, of 10 seats or more must meet the following requirements:

(i) Each passenger emergency exit locator sign required by CS 25.811 (d)(1) and each passenger emergency exit marking sign required by CS 25.811(d)(2) must have red letters on an illuminated white background or a universal symbol, of adequate size (See AMC 25.812(b)(1)). These signs must be internally electrically illuminated with a background brightness of at least 86

CS-25 BOOK 1

candela/m² (25 foot lamberts) and a high-to-low background contrast no greater than 3:1.

(ii) Each passenger emergency exit sign required by CS 25.811(d)(3) must have red letters on a white background or a universal symbol, of adequate size (See AMC 25.812(b)(1)). These signs must be internally electrically illuminated or self-illuminated by other than electrical means and must have an initial brightness of at least 1.27 candela/m² (400 microlamberts). The colours may be reversed in the case of a sign that is self-illuminated by other than electrical means.

(2) For aeroplanes that have a passenger seating configuration, excluding pilot seats, of 9 seats or less, each sign required by CS 25.811 (d)(1), (2), and (3) must have red letters on a white background or a universal symbol, of adequate size (See AMC 25.812(b)(2)). These signs may be internally electrically illuminated, or self-illuminated by other than electrical means, with an initial brightness of at least 0.51 candela/m² (160 microlamberts). The colours may be reversed in the case of a sign that is self-illuminated by other than electrical means.

(c) General illumination in the passenger cabin must be provided so that when measured along the centreline of main passenger aisle(s), and cross aisle(s) between main aisles, at seat armrest height and at 1.02 m (40-inch) intervals, the average illumination is not less than 0.5 lux (0.05 foot candle) and the illumination at each 1.02 m (40-inch) interval is not less than 0.1 lux (0.01 foot candle). A main passenger aisle(s) is considered to extend along the fuselage from the most forward passenger emergency exit or cabin occupant seat, whichever is farther forward, to the most rearward passenger emergency exit or cabin occupant seat, whichever is farther aft.

(d) The floor of the passageway leading to each floor-level passenger emergency exit, between the main aisles and the exit openings, must be provided with illumination that is not less than 0.2 lux (0.02 foot candle) measured along a line that is within 15 cm (6 inches) of and parallel to the floor and is centred on the passenger evacuation path.

(e) Floor proximity emergency escape path marking must provide emergency evacuation guidance for passengers when all sources of illumination more than 1.2 m (4 ft) above the cabin aisle floor are totally obscured. In the dark of the night, the floor proximity emergency escape path marking must enable each passenger to –

(1) After leaving the passenger seat, visually identify the emergency escape path along the cabin aisle floor to the first exits or pair of exits forward and aft of the seat; and

(2) Readily identify each exit from the emergency escape path by reference only to markings and visual features not more than 1.2 m (4 ft) above the cabin floor (See AMC 25.812(e)(2)).

(f) Except for sub-systems provided in accordance with subparagraph (h) of this paragraph that serve no more than one assisting means, are independent of the aeroplane's main emergency lighting system, and are automatically activated when the assisting means is erected, the emergency lighting system must be designed as follows:

(1) The lights must be operable manually from the flight crew station and from a point in the passenger compartment that is readily accessible to a normal cabin crewmember seat.

(2) There must be a flight crew warning light, which illuminates when power is on in the aeroplane and the emergency lighting control device is not armed.

(3) The cockpit control device must have an 'on', 'off' and 'armed' position so that when armed in the cockpit or turned on at either the cockpit or cabin crew member station the lights will either light or remain lighted upon interruption (except an interruption caused by a transverse vertical separation of the fuselage during crash landing) of the aeroplane's normal electric power. There must be a means to safeguard against inadvertent operation of the control device from the 'armed' or 'on' positions.

(g) Exterior emergency lighting must be provided as follows:

(1) At each overwing emergency exit the illumination must be –

(i) Not less than 0.3 lux (0.03 foot-candle) (measured normal to the

CS-25 BOOK 1

direction of the incident light) on a 0.186 m² (two-square-foot) area where an evacuee is likely to make his first step outside the cabin;

(ii) Not less than 0.5 lux (0.05 foot-candle) (measured normal to the direction of the incident light) for a minimum width of 1.07 m (42 inches) for a Type A over-wing exit and 61 cm (24 inches) for all other over-wing emergency exits along the 30 % of the slip-resistant portion of the escape route required in CS 25.810(c) that is farthest from the exit; and

(iii) Not less than 0.3 lux (0.03 foot-candle) on the ground surface with the landing gear extended (measured normal to the direction of the incident light) where an evacuee using the established escape route would normally make first contact with the ground.

(2) At each non-overwing emergency exit not required by CS 25.810(a) to have descent assisting means the illumination must be not less than 0.3 lux (0.03 foot-candle) (measured normal to the direction of the incident light) on the ground surface with the landing gear extended where an evacuee is likely to make his first contact with the ground outside the cabin.

(h) The means required in CS 25.810(a)(1) and (d) to assist the occupants in descending to the ground must be illuminated so that the erected assisting means is visible from the aeroplane. In addition:

(1) If the assisting means is illuminated by exterior emergency lighting, it must provide illumination of not less than 0.3 lux (0.03 foot-candle) (measured normal to the direction of the incident light) at the ground end of the erected assisting means where an evacuee using the established escape route would normally make first contact with the ground, with the aeroplane in each of the attitudes corresponding to the collapse of one or more legs of the landing gear.

(2) If the emergency lighting sub-system illuminating the assisting means serves no other assisting means, is independent of the aeroplane's main emergency lighting system, and is

automatically activated when the assisting means is erected, the lighting provisions:

(i) May not be adversely affected by stowage; and

(ii) Must provide illumination of not less than 0.3 lux (0.03 foot-candle) (measured normal to the direction of the incident light) at the ground end of the erected assisting means where an evacuee would normally make first contact with the ground, with the aeroplane in each of the attitudes corresponding to the collapse of one or more legs of the landing gear.

(i) The energy supply to each emergency lighting unit must provide the required level of illumination for at least 10 minutes at the critical ambient conditions after emergency landing.

(j) If storage batteries are used as the energy supply for the emergency lighting system, they may be recharged from the aeroplane's main electric power system: *Provided*, that the charging circuit is designed to preclude inadvertent battery discharge into charging circuit faults.

(k) Components of the emergency lighting system, including batteries, wiring relays, lamps, and switches must be capable of normal operation after having been subjected to the inertia forces listed in CS 25.561 (b).

(l) The emergency lighting system must be designed so that after any single transverse vertical separation of the fuselage during crash landing –

(1) Not more than 25% of all electrically illuminated emergency lights required by this paragraph are rendered inoperative, in addition to the lights that are directly damaged by the separation;

(2) Each electrically illuminated exit sign required under CS 25.811(d)(2) remains operative exclusive of those that are directly damaged by the separation; and

(3) At least one required exterior emergency light for each side of the aeroplane remains operative exclusive of those that are directly damaged by the separation.

[Amdt. No.: 25/3]

[Amdt. No.: 25/5]

[Amdt. No.: 25/12]

CS-25 BOOK 1**CS 25.813 Emergency exit access and ease of operation**

(See AMC 25.813 and AMC 25.813(c))

(a) There must be a passageway leading from the nearest main aisle to each Type A, Type B, Type C, Type I, or Type II emergency exit and between individual passenger areas. Each passageway leading to a Type A or Type B exit must be unobstructed and at least 91 cm (36 inches) wide. Passageways between individual passenger areas and those leading to Type I, Type II, or Type C emergency exits must be unobstructed and at least 51 cm (20 inches) wide. Unless there are two or more main aisles, each Type A or B exit must be located so that there is passenger flow along the main aisle to that exit from both the forward and aft directions. If two or more main aisles are provided, there must be unobstructed cross-aisles at least 51 cm (20 inches) wide between main aisles. There must be:

(1) A cross-aisle which leads directly to each passageway between the nearest main aisle and a Type A or B exit; and

(2) A cross-aisle which leads to the immediate vicinity of each passageway between the nearest main aisle and a Type C, Type I, Type II, or Type III exit; except that when two Type III exits are located within three passenger rows of each other, a single cross-aisle may be used if it leads to the vicinity between the passageways from the nearest main aisle to each exit.

(b) Adequate space to allow crew member(s) to assist in the evacuation of passengers must be provided as follows:

(1) Each assist space must be a rectangle on the floor, of sufficient size to enable a crew member, standing erect, to effectively assist evacuees. The assist space must not reduce the unobstructed width of the passageway below that required for the exit.

(2) For each Type A or Type B exit, assist space must be provided at each side of the exit regardless of whether an assisting means is required by CS 25.810(a).

(3) For each Type C, I or II exit installed in an aeroplane with seating for more than 80 passengers, an assist space must be provided at one side of the

passageway regardless of whether an assisting means is required by CS 25.810(a).

(4) For each Type C, I or II exit, an assist space must be provided at one side of the passageway if an assisting means is required by CS 25.810(a).

(5) For any tail cone exit that qualifies for 25 additional passenger seats under the provisions of CS 25.807(g)(9)(ii), an assist space must be provided, if an assisting means is required by CS 25.810(a).

(6) There must be a handle, or handles, at each assist space, located to enable the crew member to steady himself or herself:

(i) While manually activating the assisting means (where applicable), and

(ii) While assisting passengers during an evacuation.

(c) The following must be provided for each Type III or Type IV exit –

(1) There must be access from the nearest aisle to each exit.

(2) In addition, for each Type III exit in an aeroplane that has a passenger-seating configuration of 20 or more and which has only seats installed immediately to the forward and aft of the access route(s)-

(i) Except as provided in subparagraph (c)(2)(ii) of this paragraph, the access must be provided by an unobstructed passageway that is at least 25.4 cm (10 inches) in width for interior arrangements in which the adjacent seat rows on the exit side of the aisle contain two seats, or 33 cm (13 inches) in width for interior arrangements in which those rows contain three seats. The width of the passageway must be measured with adjacent seats adjusted to their most adverse positions. At least 25.4 cm (10 inches) of the required passageway width must be within the required projected opening width of the exit.

(ii) In lieu of one 25.4 or 33 cm (10 or 13 inches) passageway, there may be two unobstructed

CS-25 BOOK 1

passageways, that must be at least 15.2 cm (6 inches) in width and lead to an unobstructed space adjacent to each exit. Adjacent exits must not share a common passageway. The width of the passageways must be measured with adjacent seats adjusted to their most adverse positions. The unobstructed space adjacent to the exit must extend vertically from the floor to the ceiling (or to the bottom of upper side wall stowage bins), inboard from the exit for a distance not less than the width of the narrowest passenger seat installed on the aeroplane and from the forward edge of the forward passageway to the aft edge of the aft passageway. The exit opening must be totally within the fore and aft bounds of the unobstructed space.

(3) Each Type III exit in an aeroplane that has a passenger seating configuration of 20 or more and which has an access route bounded by any item(s) other than only seats (e.g. bulkhead/wall, class divider, curtain) to its forward and/or aft side, must be provided with an unobstructed passageway that is at least 50.8 cm (20 inches) in width. The width of the passageway must be measured with any adjacent seats, or other movable features, adjusted to their most adverse positions.

(4) In addition to the access -

(i) For aeroplanes that have a passenger seating configuration of 20 or more, the projected opening of the exit provided may not be obstructed and there must be no interference in opening the exit by seats, berths, or other protrusions (including adjacent seats adjusted to their most adverse positions) for a distance from that exit not less than the width of the narrowest passenger seat installed on the aeroplane.

(ii) For aeroplanes that have a passenger seating configuration of 19 or less, there may be minor obstructions in this region, if there are compensating factors to maintain the effectiveness of the exit.

(5) For each Type III and Type IV exit there must be placards that -

(i) are readable by each person seated adjacent to and facing a passageway to the exit, one in their normal field of view; and one adjacent to or on the exit;

(ii) accurately state or illustrate the proper method of opening the exit, including the correct use of controls, handles, handholds etc.;

(iii) if the exit is a removable hatch, state the weight of the hatch and indicate an appropriate location to place the hatch after removal.

(6) For aeroplanes with a passenger seating configuration of 41 or more, each Type III exit must be designed such that when operated to the fully open position, the hatch/door is automatically disposed so that it can neither reduce the size of the exit opening, the passageway(s) leading to the exit, nor the unobstructed space specified in sub-paragraph (c)(2)(ii) of this paragraph, to below the required minimum dimensions. In the fully open position it must also not obstruct egress from the exit via the escape route specified in CS 25.810(c).

(7) The design of each seat, bulkhead/partition or other feature, bounding the passageway leading to each Type III or Type IV exit must be such that -

(i) evacuees are hindered from climbing over in the course of evacuating.

(ii) any baggage stowage provisions (such as under seat stowage) would prevent baggage items entering the passageway under the inertia forces of CS 25.561(b)(3) unless placards are installed to indicate that no baggage shall be stowed under the seats bounding the passageway.

(iii) no protrusions (such as coat hooks) could impede evacuation.

(8) The design and arrangement of all seats bordering and facing a passageway to each Type III or Type IV exit, both with and without the bottom cushion in place, must be free from any gap, which might entrap a foot or other part of a person standing or kneeling on a seat or moving on or along the seat row.

(9) The latch design of deployable features (such as tables, video monitors,

CS-25 BOOK 1

telephones, leg/foot rest) mounted on seats or bulkheads/partitions bordering and facing a passageway to a Type III or Type IV exit, must be such that inadvertent release by evacuating passengers will not occur. The latch design of deployable features must also be such that cabin crew can easily check that the items are fully latched in the stowed position. Placards indicating that each such item must be stowed for taxi, take-off and landing must be installed in the normal field of view of, and be readable by each person seated in each seat bordering and facing a passageway to a Type III or Type IV exit.

(d) If it is necessary to pass through a passageway between passenger compartments to reach any required emergency exit from any seat in the passenger cabin, the passageway must be unobstructed. However, curtains may be used if they allow free entry through the passageway.

(e) No door may be installed between any passenger seat that is occupiable for take-off and landing and any passenger emergency exit, such that the door crosses any egress path (including aisles, cross-aisles and passageways).

(f) If it is necessary to pass through a doorway separating any crew member seat (except those seats on the flight deck), occupiable for take-off and landing, from any emergency exit, the door must have a means to latch it in the open position. The latching means must be able to withstand the loads imposed upon it when the door is subjected to the ultimate inertia forces, relative to the surrounding structure, listed in CS 25.561(b).

[Amdt. No.: 25/9]

[Amdt. No.: 25/12]

CS 25.815 Width of aisle
(See AMC 25.815)

The passenger aisle width at any point between seats must equal or exceed the values in the following table:

Passenger seating capacity	Minimum passenger aisle width (cm (inches))	
	Less than 64 cm (25 inches) from floor	64 cm (25 inches) and more from floor
10 or less	30 (12)*	38 (15)
11 to 19	30 (12)	51 (20)
20 or more	38 (15)	51 (20)

* A narrower width not less than 23 cm (9 inches) may be approved when substantiated by tests found necessary by the Agency.

CS 25.817 Maximum number of seats abreast

On aeroplanes having only one passenger aisle, no more than 3 seats abreast may be placed on each side of the aisle in any one row.

CS 25.819 Lower deck service compartments (including galleys)

For aeroplanes with a service compartment located below the main deck, which may be occupied during the taxi or flight but not during take-off or landing, the following apply:

(a) There must be at least two emergency evacuation routes, one at each end of each lower deck service compartment or two having sufficient separation within each compartment, which could be used by each occupant of the lower deck service compartment to rapidly evacuate to the main deck under normal and emergency lighting conditions. The routes must provide for the evacuation of incapacitated persons, with assistance. The use of the evacuation routes may not be dependent on any powered device. The routes must be designed to minimise the possibility of blockage, which might result from fire, mechanical or structural failure, or persons standing on top of or against the escape routes. In the event the aeroplane's main power system or compartment main lighting system should fail, emergency illumination for each lower deck service compartment must be automatically provided.

(b) There must be a means for two-way voice communication between the flight deck and each lower deck service compartment,

CS-25 BOOK 1

which remains available following loss of normal electrical power generating system.

(c) There must be an aural emergency alarm system, audible during normal and emergency conditions, to enable crew members on the flight deck and at each required floor level emergency exit to alert occupants of each lower deck service compartment of an emergency situation.

(d) There must be a means, readily detectable by occupants of each lower deck service compartment that indicates when seat belts should be fastened.

(e) If a public address system is installed in the aeroplane, speakers must be provided in each lower deck service compartment.

(f) For each occupant permitted in a lower deck service compartment, there must be a forward or aft facing seat, which meets the requirements of CS 25.785 (d) and must be able to withstand maximum flight loads when occupied.

(g) For each powered lift system installed between a lower deck service compartment and the main deck for the carriage of persons or equipment, or both, the system must meet the following requirements:

(1) Each lift control switch outside the lift, except emergency stop buttons, must be designed to prevent the activation of the lift if the lift door, or the hatch required by sub-paragraph (g) (3) of this paragraph, or both are open.

(2) An emergency stop button, that when activated will immediately stop the lift, must be installed within the lift and at each entrance to the lift.

(3) There must be a hatch capable of being used for evacuating persons from the lift that is openable from inside and outside the lift without tools, with the lift in any position.

CS 25.820 Lavatory doors

All lavatory doors must be designed to preclude anyone from becoming trapped inside the lavatory. If a locking mechanism is installed, it must be capable of being unlocked from the outside without the aid of special tools.

[Amdt. No.: 25/4]

VENTILATION AND HEATING**CS 25.831 Ventilation**

(a) Each passenger and crew compartment must be ventilated and each crew compartment must have enough fresh air (but not less than 0.28 m³/min. (10 cubic ft per minute) per crewmember) to enable crewmembers to perform their duties without undue discomfort or fatigue. (See AMC 25.831 (a).)

(b) Crew and passenger compartment air must be free from harmful or hazardous concentrations of gases or vapours. In meeting this requirement, the following apply:

(1) Carbon monoxide concentrations in excess of one part in 20 000 parts of air are considered hazardous. For test purposes, any acceptable carbon monoxide detection method may be used.

(2) Carbon dioxide concentration during flight must be shown not to exceed 0.5% by volume (sea level equivalent) in compartments normally occupied by passengers or crewmembers. For the purpose of this sub-paragraph, "sea level equivalent" refers to conditions of 25° C (77° F) and 1 013.2 hPa (760 millimetres of mercury) pressure.

(c) There must be provisions made to ensure that the conditions prescribed in sub-paragraph (b) of this paragraph are met after reasonably probable failures or malfunctioning of the ventilating, heating, pressurisation or other systems and equipment. (See AMC 25.831(c).)

(d) If accumulation of hazardous quantities of smoke in the cockpit area is reasonably probable, smoke evacuation must be readily accomplished, starting with full pressurisation and without de-pressurising beyond safe limits.

(e) Except as provided in sub-paragraph (f) of this paragraph, means must be provided to enable the occupants of the following compartments and areas to control the temperature and quantity of ventilating air supplied to their compartment or area independently of the temperature and quantity of air supplied to other compartments and areas:

(1) The flight-crew compartment.

CS-25 BOOK 1

(2) Crew-member compartments and areas other than the flight-crew compartment unless the crewmember compartment or area is ventilated by air interchange with other compartments or areas under all operating conditions.

(f) Means to enable the flight crew to control the temperature and quantity of ventilating air supplied to the flight-crew compartment independently of the temperature and quantity of ventilating air supplied to other compartments are not required if all of the following conditions are met:

(1) The total volume of the flight-crew and passenger compartments is 22.65m³ (800 cubic ft) or less.

(2) The air inlets and passages for air to flow between flight-crew and passenger compartments are arranged to provide compartment temperatures within 2.8°C (5°F) of each other and adequate ventilation to occupants in both compartments.

(3) The temperature and ventilation controls are accessible to the flight crew.

CS 25.832 Cabin ozone concentration

(a) The aeroplane cabin ozone concentration during flight must be shown not to exceed –

(1) 0.25 parts per million by volume, sea level equivalent, at any time above flight level 320; and

(2) 0.1 parts per million by volume, sea level equivalent, time-weighted average during any 3-hour interval above flight level 270.

(b) For the purpose of this paragraph, “sea level equivalent” refers to conditions of 25° C (77° F) and 1 013.2 hPa (760 millimetres of mercury) pressure.

(c) Compliance with this paragraph must be shown by analysis or tests based on aeroplane operational procedures and performance limitations, that demonstrated that either –

(1) The aeroplane cannot be operated at an altitude which would result in cabin ozone concentrations exceeding the limits prescribed by sub-paragraph (a) of this paragraph; or

(2) The aeroplane ventilation system, including any ozone control equipment, will maintain cabin ozone concentrations at or below the limits prescribed by sub-paragraph (a) of this paragraph.

CS 25.833 Combustion heating systems

Combustion heaters must be approved.

PRESSURISATION**CS 25.841 Pressurised cabins**

(a) Pressurised cabins and compartments to be occupied must be equipped to provide a cabin pressure altitude of not more than 2438 m (8000 ft) at the maximum operating altitude of the aeroplane under normal operating conditions. If certification for operation over 7620 m (25 000 ft) is requested, the aeroplane must be able to maintain a cabin pressure altitude of not more than 4572 m (15 000 ft) in the event of any reasonably probable failure or malfunction in the pressurisation system.

(b) Pressurised cabins must have at least the following valves, controls, and indicators for controlling cabin pressure:

(1) Two pressure relief valves to automatically limit the positive pressure differential to a predetermined value at the maximum rate of flow delivered by the pressure source. The combined capacity of the relief valves must be large enough so that the failure of any one valve would not cause an appreciable rise in the pressure differential. The pressure differential is positive when the internal pressure is greater than the external.

(2) Two reverse pressure differential relief valves (or their equivalents) to automatically prevent a negative pressure differential that would damage the structure. One valve is enough, however, if it is of a design that reasonably precludes its malfunctioning.

(3) A means by which the pressure differential can be rapidly equalised.

(4) An automatic or manual regulator for controlling the intake or exhaust airflow, or both, for maintaining the required internal pressures and airflow rates.

CS-25 BOOK 1

(5) Instruments at the pilot or flight engineer station to show the pressure differential, the cabin pressure altitude, and the rate of change of the cabin pressure altitude.

(6) Warning indication at the pilot or flight engineer station to indicate when the safe or pre-set pressure differential and cabin pressure altitude limits are exceeded. Appropriate warning markings on the cabin pressure differential indicator meet the warning requirement for pressure differential limits and an aural or visual signal (in addition to cabin altitude indicating means) meets the warning requirement for cabin pressure altitude limits if it warns the flight crew when the cabin pressure altitude exceeds 3048 m (10 000 ft).

(7) A warning placard at the pilot or flight engineer station if the structure is not designed for pressure differentials up to the maximum relief valve setting in combination with landing loads.

(8) The pressure sensors necessary to meet the requirements of sub-paragraphs (b)(5) and (b)(6) of this paragraph and CS 25.1447 (c), must be located and the sensing system designed so that, in the event of loss of cabin pressure in any passenger or crew compartment (including upper and lower lobe galleys), the warning and automatic presentation devices, required by those provisions, will be actuated without any delay that would significantly increase the hazards resulting from decompression.

CS 25.843 Tests for pressurised cabins

(a) *Strength test.* The complete pressurised cabin, including doors, windows, and valves, must be tested as a pressure vessel for the pressure differential specified in CS 25.365(d).

(b) *Functional tests.* The following functional tests must be performed:

(1) Tests of the functioning and capacity of the positive and negative pressure differential valves, and of the emergency release valve, to simulate the effects of closed regulator valves.

(2) Tests of the pressurisation system to show proper functioning under each possible condition of pressure,

temperature, and moisture, up to the maximum altitude for which certification is requested.

(3) Flight tests, to show the performance of the pressure supply, pressure and flow regulators, indicators, and warning signals, in steady and stepped climbs and descents at rates corresponding to the maximum attainable within the operating limitations of the aeroplane, up to the maximum altitude for which certification is requested.

(4) Tests of each door and emergency exit, to show that they operate properly after being subjected to the flight tests prescribed in subparagraph (b)(3) of this paragraph.

FIRE PROTECTION

CS 25.851 Fire extinguishers

(a) *Hand fire extinguishers.*
(See AMC 25.851(a))

(1) The following minimum number of hand fire extinguishers must be conveniently located and evenly distributed in passenger compartments. (See AMC 25.851(a)(1).):

<i>Passenger capacity</i>	<i>Number of extinguishers</i>
7 to 30.....	1
31 to 60.....	2
61 to 200.....	3
201 to 300.....	4
301 to 400.....	5
401 to 500.....	6
501 to 600.....	7
601 to 700.....	8

(2) At least one hand fire extinguisher must be conveniently located in the pilot compartment. (See AMC 25.851 (a)(2).)

(3) At least one readily accessible hand fire extinguisher must be available for use in each Class A or Class B cargo or baggage compartment and in each Class E or class F cargo or baggage compartment that is accessible to crewmembers in flight.

(4) At least one hand fire extinguisher must be located in, or readily accessible for use in, each galley located

CS-25 BOOK 1

above or below the passenger compartment.

(5) Each hand fire extinguisher must be approved.

(6) The required fire extinguishers located in the passenger compartment must contain an accepted extinguishing agent that is appropriate for the kinds and classes of fires likely to occur where used.

(7) The quantity of extinguishing agent used in each extinguisher required by this paragraph must be appropriate for the kinds of fires likely to occur where used.

(8) Each extinguisher intended for use in a personnel compartment must be designed to minimise the hazard of toxic gas concentration.

(b) *Built-in fire extinguishers.* If a built-in fire extinguisher is provided –

(1) Each built-in fire-extinguishing system must be installed so that –

(i) No extinguishing agent likely to enter personnel compartments will be hazardous to the occupants; and

(ii) No discharge of the extinguisher can cause structural damage.

(2) The capacity of each required built-in fire extinguishing system must be adequate for any fire likely to occur anywhere in the compartment where used, considering the volume of the compartment and the ventilation rate. (See AMC 25.851(b).)

(c) *Fire-extinguishing agents*
(See AMC 25.851(c))

(1) Fire classes against which fire-extinguishing agents may be employed are:

- Class A: Fires involving ordinary combustible materials, such as wood, cloth, paper, rubber and plastics;

- Class B: Fires involving flammable liquids, petroleum oils, greases, tars, oil base paints, lacquers, solvents, alcohols and flammable gases;

- Class C: Fires involving energised electrical equipment where the use of an extinguishing agent that

is electrically non-conductive is important.

[Amdt. No.: 25/4]

[Amdt. No.: 25/8]

[Amdt. No.: 25/12]

CS 25.853 Compartment interiors
(See AMC 25.853)

For each compartment occupied by the crew or passengers, the following apply:

(a) Materials (including finishes or decorative surfaces applied to the materials) must meet the applicable test criteria prescribed in Part I of Appendix F or other approved equivalent methods, regardless of the passenger capacity of the aeroplane.

(b) *[Reserved]*

(c) In addition to meeting the requirements of subparagraph (a) of this paragraph, seat cushions, except those on flight crewmember seats, must meet the test requirements of part II of appendix F, or other equivalent methods, regardless of the passenger capacity of the aeroplane.

(d) Except as provided in subparagraph (e) of this paragraph, the following interior components of aeroplanes with passenger capacities of 20 or more must also meet the test requirements of parts IV and V of appendix F, or other approved equivalent method, in addition to the flammability requirements prescribed in subparagraph (a) of this paragraph:

(1) Interior ceiling and wall panels, other than lighting lenses and windows;

(2) Partitions, other than transparent panels needed to enhance cabin safety;

(3) Galley structure, including exposed surfaces of stowed carts and standard containers and the cavity walls that are exposed when a full complement of such carts or containers is not carried; and

(4) Large cabinets and cabin stowage compartments, other than underseat stowage compartments for stowing small items such as magazines and maps.

(e) The interiors of compartments, such as pilot compartments, galleys, lavatories, crew rest quarters, cabinets and stowage compartments, need not meet the standards of sub-paragraph (d) of this paragraph, provided

CS-25 BOOK 1

the interiors of such compartments are isolated from the main passenger cabin by doors or equivalent means that would normally be closed during an emergency landing condition.

(f) Smoking is not allowed in lavatories. If smoking is allowed in any area occupied by the crew or passengers, an adequate number of self-contained, removable ashtrays must be provided in designated smoking sections for all seated occupants.

(g) Regardless of whether smoking is allowed in any other part of the aeroplane, lavatories must have self-contained removable ashtrays located conspicuously both inside and outside each lavatory. One ashtray located outside a lavatory door may serve more than one lavatory door if the ashtray can be seen readily from the cabin side of each lavatory door served.

(h) Each receptacle used for the disposal of flammable waste material must be fully enclosed, constructed of at least fire resistant materials, and must contain fires likely to occur in it under normal use. The ability of the receptacle to contain those fires under all probable conditions of wear, misalignment, and ventilation expected in service must be demonstrated by test.

[Amdt. No.: 25/12]

CS 25.854 Lavatory fire protection

For aeroplanes with a passenger capacity of 20 or more –

(a) Each lavatory must be equipped with a smoke detector system or equivalent that provides a warning light in the cockpit, or provides a warning light or audible warning in the passenger cabin that would be readily detected by a cabin crew member; and

(b) Each lavatory must be equipped with a built-in fire extinguisher for each disposal receptacle for towels, paper, or waste, located within the lavatory. The extinguisher must be designed to discharge automatically into each disposal receptacle upon occurrence of a fire in that receptacle.

CS 25.855 Cargo or baggage compartments

(See AMC to CS 25.855 and 25.857)

For each cargo or baggage compartment, the following apply:

(a) The compartment must meet one of the class requirements of CS 25.857.

(b) The following cargo or baggage compartments, as defined in CS 25.857, must have a liner that is separate from, but may be attached to, the aeroplane structure:

(1) Class B through Class E cargo or baggage compartments; and

(2) Class F cargo or baggage compartments, unless other means of containing the fire and protecting critical systems and structure are provided.

(c)

(1) Ceiling and sidewall liner panels of Class C cargo or baggage compartments, and ceiling and sidewall liner panels in Class F cargo or baggage compartments, if installed to meet the requirements of subparagraph (b)(2) of this paragraph, must meet the test requirements of Part III of Appendix F or other approved equivalent methods.

(2) Cockpit voice and flight data recorder systems, windows and systems or equipment within, or in the vicinity of, Class E cargo compartments shown to be essential for continued safe flight and landing according to CS 25.1309 must be adequately protected against fire. If protective covers are used, they must meet the requirements of Appendix F, Part III.

(d) All other materials used in the construction of the cargo or baggage compartment must meet the applicable test criteria prescribed in Part I of Appendix F, or other approved equivalent methods.

(e) No compartment may contain any controls, lines, equipment, or accessories whose damage or failure would affect safe operation, unless those items are protected so that–

(1) They cannot be damaged by the movement of cargo in the compartment; and

(2) Their breakage or failure will not create a fire hazard.

(f) There must be means to prevent cargo or baggage from interfering with the functioning of the fire protective features of the compartment.

CS-25 BOOK 1

(g) Sources of heat within the compartment must be shielded and insulated to prevent igniting the cargo or baggage.

(h) Flight tests must be conducted to show compliance with the provisions of CS 25.857 concerning –

(1) Compartment accessibility;

(2) The entry of hazardous quantities of smoke or extinguishing agent into compartments occupied by the crew or passengers; and

(3) The dissipation of the extinguishing agent in Class C compartment or, if applicable, in Class F compartment.

(i) During the above tests, it must be shown that no inadvertent operation of smoke or fire detectors in any compartment would occur as a result of fire contained in any other compartment, either during or after extinguishment, unless the extinguishing system floods each such compartment simultaneously.

(j) Cargo or baggage compartment electrical wiring interconnection system components must meet the requirements of CS 25.1721.

[Amdt No: 25/3]

[Amdt No: 25/5]

[Amdt No: 25/8]

[Amdt No: 25/12]

[Amdt No: 25/13]

CS 25.856 Thermal/acoustic insulation materials

(See AMC 25.856(a) and AMC 25.856(b))

(a) Thermal/acoustic insulation material installed in the fuselage must meet the flame propagation test requirements of Part VI of Appendix F to CS-25, or other approved equivalent test requirements. This requirement does not apply to “small parts”, as defined in Part I of Appendix F to CS-25.

(b) For aeroplanes with a passenger capacity of 20 or greater, thermal/acoustic insulation materials (including the means of fastening the materials to the fuselage) installed in the lower half of the aeroplane fuselage must meet the flame penetration resistance test requirements of Part VII of

Appendix F to CS-25, or other approved equivalent test requirements. This requirement does not apply to thermal/acoustic insulation installations that the Agency finds would not contribute to fire penetration resistance.

[Amdt. No.: 25/6]

CS 25.857 Cargo compartment classification

(See AMC to CS 25.855 and 25.857)

(a) *Class A.* A Class A cargo or baggage compartment is one in which –

(1) The presence of a fire would be easily discovered by a crew member while at his station; and

(2) Each part of the compartment is easily accessible in flight.

(b) *Class B.* A Class B cargo or baggage compartment is one in which –

(1) There is sufficient access in flight to enable a crewmember standing at any one access point and without stepping into the compartment, to extinguish a fire occurring in any part of the compartment using a hand fire extinguisher;

(2) When the access provisions are being used no hazardous quantity of smoke, flames or extinguishing agent will enter any compartment occupied by the crew or passengers; and

(3) There is a separate approved smoke detector or fire detector system to give warning to the pilot or flight engineer station.

(c) *Class C.* A Class C cargo or baggage compartment is one not meeting the requirements for either a Class A or B compartment but in which –

(1) There is a separate approved smoke detector or fire detector system to give warning at the pilot or flight engineer station;

(2) There is an approved built-in fire-extinguishing or suppression system controllable from the cockpit.

(3) There are means to exclude hazardous quantities of smoke, flames, or extinguishing agent, from any compartment occupied by the crew or passengers; and

CS-25 BOOK 1

(4) There are means to control ventilation and draughts within the compartment so that the extinguishing agent used can control any fire that may start within the compartment.

(d) Reserved.

(e) *Class E.* A Class E cargo compartment is one on aeroplanes used only for the carriage of cargo and in which –

(1) Reserved.

(2) There is a separate approved smoke or fire detector system to give warning at the pilot or flight engineer station;

(3) There are means to shut off the ventilating airflow to, or within, the compartment, and the controls for these means are accessible to the flight crew in the crew compartment;

(4) There are means to exclude hazardous quantities of smoke, flames, or noxious gases, from the flight-crew compartment; and

(5) The required crew emergency exits are accessible under any cargo loading condition.

(f) *Class F.* A Class F cargo or baggage compartment is one in which -

(1) There is a separate approved smoke detector or fire detector system to give warning at the pilot or flight engineer station;

(2) There are means to extinguish or control a fire without requiring a crewmember to enter the compartment; and

(3) There are means to exclude hazardous quantities of smoke, flames, or extinguishing agent from any compartment occupied by the crew or passengers.

[Amdt. No.: 25/3]

[Amdt. No.: 25/8]

CS 25.858 Cargo or baggage compartment smoke or fire detection systems

If certification with cargo or baggage compartment smoke or fire detection provisions is requested, the following must be met for each cargo or baggage compartment with those provisions:

(a) The detection system must provide a visual indication to the flight crew within one minute after the start of a fire.

(b) The system must be capable of detecting a fire at a temperature significantly below that at which the structural integrity of the aeroplane is substantially decreased.

(c) There must be means to allow the crew to check in flight, the functioning of each smoke or fire detector circuit.

(d) The effectiveness of the detection system must be shown for all approved operating configurations and conditions.

[Amdt. No.: 25/3]

CS 25.859 Combustion heater fire protection

(a) *Combustion heater fire zones.* The following combustion heater fire zones must be protected from fire in accordance with the applicable provisions of CS 25.1181 to 25.1191 and 25.1195 to 25.1203:

(1) The region surrounding the heater, if this region contains any flammable fluid system components (excluding the heater fuel system) that could –

(i) Be damaged by heater malfunctioning; or

(ii) Allow flammable fluids or vapours to reach the heater in case of leakage.

(2) The region surrounding the heater, if the heater fuel system has fittings that, if they leaked, would allow fuel or vapours to enter this region.

(3) The part of the ventilating air passage that surrounds the combustion chamber. However, no fire extinguishment is required in cabin ventilating air passages.

(b) *Ventilating air ducts.* Each ventilating air duct passing through any fire zone must be fireproof. In addition –

(1) Unless isolation is provided by fireproof valves or by equally effective means, the ventilating air duct downstream of each heater must be fireproof for a distance great enough to ensure that any fire originating in the heater can be contained in the duct; and

CS-25 BOOK 1

(2) Each part of any ventilating duct passing through any region having a flammable fluid system must be constructed or isolated from that system so that the malfunctioning of any component of that system cannot introduce flammable fluids or vapours into the ventilating airstream.

(c) *Combustion air ducts.* Each combustion air duct must be fireproof for a distance great enough to prevent damage from backfiring or reverse flame propagation. In addition –

(1) No combustion air duct may have a common opening with the ventilating airstream unless flames from backfires or reverse burning cannot enter the ventilating airstream under any operating condition, including reverse flow or malfunctioning of the heater or its associated components; and

(2) No combustion air duct may restrict the prompt relief of any backfire that, if so restricted, could cause heater failure.

(d) *Heater controls; general.* Provision must be made to prevent the hazardous accumulation of water or ice on or in any heater control component, control system tubing, or safety control.

(e) *Heater safety controls.* For each combustion heater there must be the following safety control means:

(1) Means independent of the components provided for the normal continuous control of air temperature, airflow, and fuel flow must be provided, for each heater, to automatically shut off the ignition and fuel supply to that heater at a point remote from that heater when any of the following occurs:

(i) The heat exchanger temperature exceeds safe limits.

(ii) The ventilating air temperature exceeds safe limits.

(iii) The combustion airflow becomes inadequate for safe operation.

(iv) The ventilating airflow becomes inadequate for safe operation.

(2) The means of complying with sub-paragraph (e) (1) of this paragraph for any individual heater must –

(i) Be independent of components serving any other heater whose heat output is essential for safe operation; and

(ii) Keep the heater off until restarted by the crew.

(3) There must be means to warn the crew when any heater whose heat output is essential for safe operation has been shut off by the automatic means prescribed in sub-paragraph (e) (1) of this paragraph.

(f) *Air intakes.* Each combustion and ventilating air intake must be located so that no flammable fluids or vapours can enter the heater system under any operating condition –

(1) During normal operation; or

(2) As a result of the malfunctioning of any other component.

(g) *Heater exhaust.* Heater exhaust systems must meet the provisions of CS 25.1121 and 25.1123. In addition, there must be provisions in the design of the heater exhaust system to safely expel the products of combustion to prevent the occurrence of –

(1) Fuel leakage from the exhaust to surrounding compartments;

(2) Exhaust gas impingement on surrounding equipment or structure;

(3) Ignition of flammable fluids by the exhaust, if the exhaust is in a compartment containing flammable fluid lines; and

(4) Restriction by the exhaust of the prompt relief of backfires that, if so restricted, could cause heater failure.

(h) *Heater fuel systems.* Each heater fuel system must meet each powerplant fuel system requirement affecting safe heater operation. Each heater fuel system component within the ventilating airstream must be protected by shrouds so that no leakage from those components can enter the ventilating airstream.

(i) *Drains.* There must be means to safely drain fuel that might accumulate within the combustion chamber or the heater exchanger. In addition –

CS-25 BOOK 1

(1) Each part of any drain that operates at high temperatures must be protected in the same manner as heater exhausts; and

(2) Each drain must be protected from hazardous ice accumulation under any operating conditions.

CS 25.863 Flammable fluid fire protection

(a) In each area where flammable fluids or vapours might escape by leakage of a fluid system, there must be means to minimise the probability of ignition of the fluids and vapours, and the resultant hazards if ignition does occur. (See AMC 25.863 (a).)

(b) Compliance with sub-paragraph (a) of this paragraph must be shown by analysis or tests, and the following factors must be considered.

(1) Possible sources and paths of fluid leakage, and means of detecting leakage.

(2) Flammability characteristics of fluids, including effects of any combustible or absorbing materials.

(3) Possible ignition sources, including electrical faults, overheating of equipment, and malfunctioning of protective devices.

(4) Means available for controlling or extinguishing a fire, such as stopping flow of fluids, shutting down equipment, fireproof containment, or use of extinguishing agents.

(5) Ability of aeroplane components that are critical to safety of flight to withstand fire and heat.

(c) If action by the flight crew is required to prevent or counteract a fluid fire (e.g. equipment shutdown or actuation of a fire extinguisher) quick acting means must be provided to alert the crew.

(d) Each area where flammable fluids or vapours might escape by leakage of a fluid system must be identified and defined.

CS 25.865 Fire protection of flight controls, engine mounts, and other flight structure

Essential flight controls, engine mounts, and other flight structures located in

designated fire zones or in adjacent areas which would be subjected to the effects of fire in the fire zone must be constructed of fireproof material or shielded so that they are capable of withstanding the effects of fire.

CS 25.867 Fire protection: other components

(a) Surfaces to the rear of the nacelles, within one nacelle diameter of the nacelle centreline, must be constructed of materials at least equivalent in resistance to fire as aluminium alloy in dimensions appropriate for the purpose for which they are used.

(b) Sub-paragraph (a) of this paragraph does not apply to tail surfaces to the rear of the nacelles that could not be readily affected by heat, flames, or sparks coming from a designated fire zone or engine compartment of any nacelle.

CS 25.869 Fire protection: systems

(a) Electrical system components:

(1) Components of the electrical system must meet the applicable fire and smoke protection requirements of CS 25.831(c) and CS 25.863. (See AMC 25.869 (a)(1).)

(2) Equipment in designated fire zones, that is used during emergency procedures, must be at least fire resistant.

(3) Electrical Wiring Interconnection System components must meet the requirements of CS 25.1713.

(b) Each vacuum air system line and fitting on the discharge side of the pump that might contain flammable vapours or fluids must meet the requirements of CS 25.1183 if the line or fitting is in a designated fire zone. Other vacuum air systems components in designated fire zones must be at least fire resistant.

(c) (See AMC 25.869(c).) Oxygen equipment and lines must –

(1) Not be located in any designated fire zone.

(2) Be protected from heat that may be generated in, or escape from, any designated fire zone, and

(3) Be installed so that escaping oxygen cannot cause ignition of grease, fluid, or vapour accumulations that are

CS-25 BOOK 1

present in normal operation or as a result of failure or malfunction of any system.

[Amdt. No.: 25/5]

MISCELLANEOUS**CS 25.871 Levelling means**

There must be means for determining when the aeroplane is in a level position on the ground.

CS 25.875 Reinforcement near propellers

(a) Each part of the aeroplane near the propeller tips must be strong and stiff enough to withstand the effects of the induced vibration and of ice thrown from the propeller.

(b) No window may be near the propeller tips unless it can withstand the most severe ice impact likely to occur.

CS 25.899 Electrical bonding and protection against static electricity
(See AMC 25.899)

(a) Electrical bonding and protection against static electricity must be designed to minimise accumulation of electrostatic charge, which would cause:

- (1) Human injury from electrical shock,
- (2) Ignition of flammable vapours, or
- (3) Interference with installed electrical / electronic equipment.

(b) Compliance with sub-paragraph (a) of this paragraph may be shown by

- (1) Bonding the components properly to the airframe or
- (2) Incorporating other acceptable means to dissipate the static charge so as not to endanger the aeroplane, personnel or operation of the installed electrical/ electronic systems.

CS-25 BOOK 1**SUBPART E – POWERPLANT****GENERAL****CS 25.901 Installation**

(a) For the purpose of this CS-25 the aeroplane powerplant installation includes each component that –

- (1) Is necessary for propulsion;
- (2) Affects the control of the major propulsive units; or
- (3) Affects the safety of the major propulsive units between normal inspections or overhauls.

(b) For each powerplant –

- (1) The installation must comply with:
 - (i) The installation instructions provided under CS-E20 (d) and (e); and
 - (ii) The applicable provisions of this Subpart (see also AMC 20-1).
- (2) The components of the installation must be constructed, arranged, and installed so as to ensure their continued safe operation between normal inspections or overhauls. (See AMC 25.901 (b)(2).)
- (3) The installation must be accessible for necessary inspections and maintenance; and
- (4) The major components of the installation must be electrically bonded to the other parts of the aeroplane. (See AMC 25.901(b)(4).)

(c) The powerplant installation must comply with CS 25.1309, except that the effects of the following need not comply with CS 25.1309(b):

- (1) Engine case burn through or rupture;
 - (2) Uncontained engine rotor failure; and
 - (3) Propeller debris release.
- (See AMC 25.901(c) Safety Assessment of Powerplant Installations and AMC 25-24: Sustained Engine Imbalance)

[Amdt. No.: 25/1]

[Amdt. No.: 25/3]

[Amdt. No.: 25/8]

CS 25.903 Engines

(a) *Engine type certification.*

(1) *reserved*

(2) Any engine not certificated to CS-E must be shown to comply with CS-E 790 and CS-E 800 or be shown to have a foreign object ingestion service history in similar installation locations which has not resulted in any unsafe condition.

(b) *Engine isolation.* The powerplants must be arranged and isolated from each other to allow operation, in at least one configuration, so that the failure or malfunction of any engine, or of any system that can affect the engine, will not –

- (1) Prevent the continued safe operation of the remaining engines; or
- (2) Require immediate action by any crew member for continued safe operation.

(c) *Control of engine rotation.* There must be means for stopping the rotation of any engine individually in flight, except that, for turbine engine installations, the means for stopping the rotation of any engine need be provided only where continued rotation could jeopardise the safety of the aeroplane. Each component of the stopping system on the engine side of the firewall that might be exposed to fire must be at least fire resistant. If hydraulic propeller feathering systems are used for this purpose, the feathering lines must be at least fire-resistant under the operating conditions that may be expected to exist during feathering.

(d) *Turbine engine installations.* For turbine engine installations –

(1) Design precautions must be taken to minimise the hazards to the aeroplane in the event of an engine rotor failure or of a fire originating within the engine which burns through the engine case. (See AMC 25.903(d)(1) and AMC 20-128A.)

(2) The powerplant systems associated with engine control devices, systems, and instrumentation, must be designed to give reasonable assurance that those engine operating limitations that

CS–25 BOOK 1

adversely affect turbine rotor structural integrity will not be exceeded in service.

(e) *Restart capability.*

(1) Means to restart any engine in flight must be provided.

(2) An altitude and airspeed envelope must be established for in-flight engine restarting, and each engine must have a restart capability within that envelope. (See AMC 25.903(e)(2).)

(3) For turbine engine powered aeroplanes, if the minimum windmilling speed of the engines, following the in-flight shut-down of all engines, is insufficient to provide the necessary electrical power for engine ignition, a power source independent of the engine-driven electrical power generating system must be provided to permit in-flight engine ignition for restarting.

CS 25.904 Automatic Take-off Thrust Control System (ATTCS)

Aeroplanes equipped with an engine power control system that automatically resets the power or thrust on the operating engine(s) when any engine fails during the takeoff must comply with the requirements of Appendix I.

CS 25.905 Propellers

(a) *reserved*

(b) Engine power and propeller shaft rotational speed may not exceed the limits for which the propeller is certificated. (See CS-P 50.)

(c) Each component of the propeller blade pitch control system must meet the requirements of CS-P 420.

(d) Design precautions must be taken to minimise the hazards to the aeroplane in the event a propeller blade fails or is released by a hub failure. The hazards which must be considered include damage to structure and critical systems due to impact of a failed or released blade and the unbalance created by such failure or release. (See AMC 25.905 (d).)

[Amdt. No.: 25/3]

CS 25.907 Propeller vibration
(See CS-P 530 and CS-P 550.)

(a) The magnitude of the propeller blade vibration stresses under any normal condition of operation must be determined by actual measurement or by comparison with similar installations for which these measurements have been made.

(b) The determined vibration stresses may not exceed values that have been shown to be safe for continuous operation.

[Amdt. No.: 25/3]

CS 25.925 Propeller clearance

Unless smaller clearances are substantiated, propeller clearances with the aeroplane at maximum weight, with the most adverse centre of gravity, and with the propeller in the most adverse pitch position, may not be less than the following:

(a) *Ground clearance.* There must be a clearance of at least 18 cm (7 inches) (for each aeroplane with nose wheel landing gear) or (23 cm 9 inches (for each aeroplane with tail-wheel landing gear) between each propeller and the ground with the landing gear statically deflected and in the level take-off, or taxiing attitude, whichever is most critical. In addition, there must be positive clearance between the propeller and the ground when in the level take-off attitude with the critical tyre(s) completely deflated and the corresponding landing gear strut bottomed.

(b) *Reserved.*

(c) *Structural clearance.* There must be –

(1) At least 25 mm (1.0 inch) radial clearance between the blade tips and the aeroplane structure, plus any additional radial clearance necessary to prevent harmful vibration;

(2) At least 13 mm (0.5 inches) longitudinal clearance between propeller blades or cuffs and stationary parts of the aeroplane; and

(3) Positive clearance between other rotating parts of the propeller or spinner and stationary parts of the aeroplane.

CS 25.929 Propeller de-icing

(a) For aeroplanes intended for use where icing may be expected, there must be a means to prevent or remove hazardous ice

CS-25 BOOK 1

accumulation on propellers or on accessories where ice accumulation would jeopardise engine performance.

(b) If combustible fluid is used for propeller de-icing, CS 25.1181 to CS 25.1185 and CS 25.1189 apply.

CS 25.933 Reversing systems

(a) For turbojet reversing systems:

(1) Each system intended for ground operation only must be designed so that either:

- (i) The aeroplane can be shown to be capable of continued safe flight and landing during and after any thrust reversal in flight; or
- (ii) It can be demonstrated that in-flight thrust reversal is extremely improbable and does not result from a single failure or malfunction.

(See AMC 25.933(a)(1))

(2) Each system intended for in-flight use must be designed so that no unsafe condition will result during normal operation of the system, or from any failure (or reasonably likely combination of failures) of the reversing system, under any anticipated condition of operation of the aeroplane including ground operation. Failure of structural elements need not be considered if the probability of this kind of failure is extremely remote.

(3) Each system must have means to prevent the engine from producing more than idle thrust when the reversing system malfunctions, except that it may produce any greater forward thrust that is shown to allow directional control to be maintained, with aerodynamic means alone, under the most critical reversing condition expected in operation.

(b) For propeller reversing systems -

(1) Each system intended for ground operation only must be designed so that no single failure (or reasonably likely combination of failures) or malfunction of the system will result in unwanted reverse thrust under any expected operating condition. Failure of structural elements need not be considered if this kind of failure is extremely remote.

(2) Compliance with this paragraph may be shown by failure analysis or testing, or both, for propeller systems that allow propeller blades to move from the flight low-pitch position to a position that is substantially less than that at the normal flight low-pitch position. The analysis may include or be supported by the analysis made to show compliance with the requirements of CS-P 70 for the propeller and associated installation components.

[Amdt. No.: 25/1]

CS 25.934 Turbo-jet engine thrust reverser system tests

Thrust reversers installed on turbo-jet engines must meet the requirements of CS-E 890.

CS 25.937 Turbo-propeller-drag limiting systems

Turbo-propeller powered aeroplane propeller-drag limiting systems must be designed so that no single failure or malfunction of any of the systems during normal or emergency operation results in propeller drag in excess of that for which the aeroplane was designed under CS 25.367. Failure of structural elements of the drag limiting systems need not be considered if the probability of this kind of failure is extremely remote.

CS 25.939 Turbine engine operating characteristics

(See AMC 25.939)

(a) Turbine engine operating characteristics must be investigated in flight to determine that no adverse characteristics (such as stall, surge, or flame-out) are present, to a hazardous degree, during normal and emergency operation within the range of operation limitations of the aeroplane and of the engine. (See AMC 25.939 (a).)

(b) Reserved.

(c) The turbine engine air inlet system may not, as a result of air flow distortion during normal operation, cause vibration harmful to the engine. (See AMC 25.939 (c).)

CS 25.941 Inlet, engine, and exhaust compatibility

For aeroplanes using variable inlet or exhaust system geometry, or both -

CS-25 BOOK 1

(a) The system comprised of the inlet, engine (including thrust augmentation systems, if incorporated), and exhaust must be shown to function properly under all operating conditions for which approval is sought, including all engine rotating speeds and power settings, and engine inlet and exhaust configurations;

(b) The dynamic effects of the operation of these (including consideration of probable malfunctions) upon the aerodynamic control of the aeroplane may not result in any condition that would require exceptional skill, alertness, or strength on the part of the pilot to avoid exceeding an operational or structural limitation of the aeroplane; and

(c) In showing compliance with sub-paragraph (b) of this paragraph, the pilot strength required may not exceed the limits set forth in CS 25.143(d) subject to the conditions set forth in sub-paragraphs (e) and (f) of CS 25.143.

[Amdt. No.: 25/3]

CS 25.943 Negative acceleration

No hazardous malfunction of an engine or any component or system associated with the powerplant may occur when the aeroplane is operated at the negative accelerations within the flight envelopes prescribed in CS 25.333. This must be shown for the greatest duration expected for the acceleration. (See also CS 25.1315.)

CS 25.945 Thrust or power augmentation system

(a) *General.* Each fluid injection system must provide a flow of fluid at the rate and pressure established for proper engine functioning under each intended operating condition. If the fluid can freeze, fluid freezing may not damage the aeroplane or adversely affect aeroplane performance.

(b) *Fluid tanks.* Each augmentation system fluid tank must meet the following requirements:

(1) Each tank must be able to withstand without failure the vibration, inertia, fluid, and structural loads that it may be subjected to in operation.

(2) The tanks as mounted in the aeroplane must be able to withstand without failure or leakage an internal pressure 1.5 times the maximum operating pressure.

(3) If a vent is provided, the venting must be effective under all normal flight conditions.

(4) Reserved.

(5) Each tank must have an expansion space of not less than 2% of the tank capacity. It must be impossible to fill the expansion space inadvertently with the aeroplane in the normal ground attitude.

(c) Augmentation system drains must be designed and located in accordance with CS 25.1455 if –

(1) The augmentation system fluid is subject to freezing; and

(2) The fluid may be drained in flight or during ground operation.

(d) The augmentation liquid tank capacity available for the use of each engine must be large enough to allow operation of the aeroplane under the approved procedures for the use of liquid-augmented power. The computation of liquid consumption must be based on the maximum approved rate appropriate for the desired engine output and must include the effect of temperature on engine performance as well as any other factors that might vary the amount of liquid required.

FUEL SYSTEM**CS 25.951 General**

(a) Each fuel system must be constructed and arranged to ensure a flow of fuel at a rate and pressure established for proper engine functioning under each likely operating condition, including any manoeuvre for which certification is requested and during which the engine is permitted to be in operation.

(b) Each fuel system must be arranged so that any air which is introduced into the system will not result in –

(1) *Reserved.*

(2) Flameout.

(c) Each fuel system must be capable of sustained operation throughout its flow and pressure range with fuel initially saturated with water at 26.7°C (80°F) and having 0.20 cm³ of free water per litre (0.75 cm³ per US gallon) added and cooled to the most critical condition for icing likely to be encountered in operation.

CS-25 BOOK 1

[Amdt No: 25/12]

[Amdt No: 25/13]

CS 25.952 Fuel system analysis and test

(a) Proper fuel system functioning under all probable operating conditions must be shown by analysis and those tests found necessary by the Agency. Tests, if required, must be made using the aeroplane fuel system or a test article that reproduces the operating characteristics of the portion of the fuel system to be tested.

(b) The likely failure of any heat exchanger using fuel as one of its fluids may not result in a hazardous condition.

CS 25.953 Fuel system independence

Each fuel system must meet the requirements of CS 25.903(b) by –

(a) Allowing the supply of fuel to each engine through a system independent of each part of the system supplying fuel to any other engine; or

(b) Any other acceptable method.

CS 25.954 Fuel system lightning protection

The fuel system must be designed and arranged to prevent the ignition of fuel vapour within the system (see AMC 25.581, AMC 25.899 and AMC 25.954) by –

(a) Direct lightning strikes to areas having a high probability of stroke attachment;

(b) Swept lightning strokes to areas where swept strokes are highly probable; and

(c) Corona and streamering at fuel vent outlets.

CS 25.955 Fuel flow

(a) Each fuel system must provide at least 100% of the fuel flow required under each intended operating condition and manoeuvre. Compliance must be shown as follows:

(1) Fuel must be delivered to each engine at a pressure within the limits specified in the engine type certificate.

(2) The quantity of fuel in the tank may not exceed the amount established as the unusable fuel supply for that tank under the requirements of CS 25.959 plus that

necessary to show compliance with this paragraph.

(3) Each main pump must be used that is necessary for each operating condition and attitude for which compliance with this paragraph is shown, and the appropriate emergency pump must be substituted for each main pump so used.

(4) If there is a fuel flowmeter, it must be blocked and the fuel must flow through the meter or its bypass. (See AMC 25.955(a)(4).)

(b) If an engine can be supplied with fuel from more than one tank, the fuel system must –

(1) *Reserved.*

(2) For each engine, in addition to having appropriate manual switching capability, be designed to prevent interruption of fuel flow to that engine, without attention by the flight crew, when any tank supplying fuel to that engine is depleted of usable fuel during normal operation, and any other tank, that normally supplies fuel to that engine alone, contains usable fuel.

CS 25.957 Flow between interconnected tanks

If fuel can be pumped from one tank to another in flight, the fuel tank vents and the fuel transfer system must be designed so that no structural damage to the tanks can occur because of over-filling.

CS 25.959 Unusable fuel supply

The unusable fuel quantity for each fuel tank and its fuel system components must be established at not less than the quantity at which the first evidence of engine malfunction occurs under the most adverse fuel feed condition for all intended operations and flight manoeuvres involving fuel feeding from that tank. Fuel system component failures need not be considered.

CS 25.961 Fuel system hot weather operation

(a) The fuel system must perform satisfactorily in hot weather operation. This must be shown by showing that the fuel system from the tank outlets to each engine is pressurised, under all intended operations, so

CS-25 BOOK 1

as to prevent vapour formation, or must be shown by climbing from the altitude of the airport elected by the applicant to the maximum altitude established as an operating limitation under CS 25.1527. If a climb test is elected, there may be no evidence of vapour lock or other malfunctioning during the climb test conducted under the following conditions:

(1) *Reserved.*

(2) For turbine engine powered aeroplanes, the engines must operate at take-off power for the time interval selected for showing the take-off flight path, and at maximum continuous power for the rest of the climb.

(3) The weight of the aeroplane must be the weight with full fuel tanks, minimum crew, and the ballast necessary to maintain the centre of gravity within allowable limits.

(4) The climb airspeed may not exceed

—

(i) *Reserved.*

(ii) The maximum airspeed established for climbing from take-off to the maximum operating altitude.

(5) The fuel temperature must be at least 43.3°C (110°F).

(b) The test prescribed in sub-paragraph (a) of this paragraph may be performed in flight or on the ground under closely simulated flight conditions. If a flight test is performed in weather cold enough to interfere with the proper conduct of the test, the fuel tank surfaces, fuel lines, and other fuel system parts subject to cold air must be insulated to simulate, insofar as practicable, flight in hot weather.

CS 25.963 Fuel tanks: general

(a) Each fuel tank must be able to withstand, without failure, the vibration, inertia, fluid and structural loads that it may be subjected to in operation. (See AMC 25.963 (a).)

(b) Flexible fuel tank liners must be approved or must be shown to be suitable for the particular application.

(c) Integral fuel tanks must have facilities for interior inspection and repair.

(d) Fuel tanks must, so far as it is practicable, be designed, located and installed so that no fuel is released in or near the fuselage or near the engines in quantities

sufficient to start a serious fire in otherwise survivable emergency landing conditions and:

(1) Fuel tanks must be able to resist rupture and to retain fuel under ultimate hydrostatic design conditions in which the pressure P within the tank varies in accordance with the formula:

$$P = K\rho gL$$

where:

P = fuel pressure in Pa (lb/ft²) at each point within the tank

L = a reference distance in m (ft) between the point of pressure and the tank farthest boundary in the direction of loading.

ρ = typical fuel density in kg/m³ (slugs/ft³)

g = acceleration due to gravity in m/s² (ft/s²)

$K = 4.5$ for the forward loading condition for fuel tanks outside the fuselage contour

$K = 9$ for the forward loading condition for fuel tanks within the fuselage contour

$K = 1.5$ for the aft loading condition

$K = 3.0$ for the inboard and outboard loading conditions for fuel tanks within the fuselage contour

$K = 1.5$ for the inboard and outboard loading conditions for fuel tanks outside of the fuselage contour

$K = 6$ for the downward loading condition

$K = 3$ for the upward loading condition

(2) For those (parts of) wing fuel tanks near the fuselage or near the engines, the greater of the fuel pressures resulting from subparagraphs (i) and (ii) must be used:

(i) the fuel pressures resulting from subparagraph (d)(1) above, and:

(ii) the lesser of the two following conditions:

CS-25 BOOK 1

(A) Fuel pressures resulting from the accelerations as specified in CS 25.561(b)(3) considering the fuel tank full of fuel at maximum fuel density. Fuel pressures based on the 9.0g forward acceleration may be calculated using the fuel static head equal to the streamwise local chord of the tank. For inboard and outboard conditions, an acceleration of 1.5g may be used in lieu of 3.0g as specified in CS 25.561(b)(3); and:

(B) Fuel pressures resulting from the accelerations as specified in CS 25.561(b)(3) considering a fuel volume beyond 85% of the maximum permissible volume in each tank using the static head associated with the 85% fuel level. A typical density of the appropriate fuel may be used. For inboard and outboard conditions, an acceleration of 1.5g may be used in lieu of 3.0g as specified in CS 25.561(b)(3).

(3) Fuel tank internal barriers and baffles may be considered as solid boundaries if shown to be effective in limiting fuel flow.

(4) For each fuel tank and surrounding airframe structure, the effects of crushing and scraping actions with the ground should not cause the spillage of enough fuel, or generate temperatures that would constitute a fire hazard under the conditions specified in CS 25.721(b).

(5) Fuel tank installations must be such that the tanks will not rupture as a result of an engine pylon or engine mount or landing gear, tearing away as specified in CS 25.721(a) and (c).

(See AMC 25.963(d).)

(e) Fuel tanks must comply with the following criteria in order to avoid hazardous fuel leak:

(1) Fuel tanks located in an area where experience or analysis indicates a strike is likely, must be shown by analysis supported by test, or by test, to address penetration and deformation by tyre and wheel fragments, small debris from uncontained engine failure or APU failure, or other likely debris (such as runway debris).

(2) All fuel tank access covers must have the capacity to withstand the heat associated with fire at least as well as an access cover

made from aluminium alloy in dimensions appropriate for the purpose for which they are to be used, except that the access covers need not be more resistant to fire than an access cover made from the base fuel tank structural material.

(See AMC 25.963(e).)

[Amdt. No.: 25/14]

(f) For pressurised fuel tanks, a means with failsafe features must be provided to prevent the build-up of an excessive pressure difference between the inside and the outside of the tank.

(g) Reserved.

[Amdt. No.: 25/3]

CS 25.965 Fuel tank tests

(a) It must be shown by tests that the fuel tanks, as mounted in the aeroplane can withstand, without failure or leakage, the more critical of the pressures resulting from the conditions specified in sub-paragraphs (a)(1) and (2) of this paragraph. In addition it must be shown by either analysis or tests, (see AMC 25.965(a)) that tank surfaces subjected to more critical pressures resulting from the conditions of sub-paragraphs (a)(3) and (4) of this paragraph, are able to withstand the following pressures:

(1) An internal pressure of 24 kPa (3.5 psi).

(2) 125% of the maximum air pressure developed in the tank from ram effect.

(3) Fluid pressures developed during maximum limit accelerations, and deflections, of the aeroplane with a full tank.

(4) Fluid pressures developed during the most adverse combination of aeroplane roll and fuel load.

(b) Each metallic tank with large unsupported or unstiffened flat surfaces, whose failure or deformation could cause fuel leakage, must be able to withstand the following test, or its equivalent, without leakage or excessive deformation of the tank walls:

(1) Each complete tank assembly and its supports must be vibration tested while mounted to simulate the actual installation.

(2) Except as specified in sub-paragraph (b)(4) of this paragraph, the tank

CS-25 BOOK 1

assembly must be vibrated for 25 hours at an amplitude of not less than 0.8 mm (1/32 of an inch) (unless another amplitude is substantiated) while two-thirds filled with water or other suitable test fluid.

(3) The test frequency of vibration must be as follows:

(i) If no frequency of vibration resulting from any rpm within the normal operating range of engine speeds is critical, the test frequency of vibration must be 2 000 cycles per minute.

(ii) If only one frequency of vibration resulting from any rpm within the normal operating range of engine speeds is critical, that frequency of vibration must be the test frequency.

(iii) If more than one frequency of vibration resulting from any rpm within the normal operating range of engine speeds is critical, the most critical of these frequencies must be the test frequency.

(4) Under sub-paragraph (b)(3) (ii) and (iii) of this paragraph, the time of test must be adjusted to accomplish the same number of vibration cycles that would be accomplished in 25 hours at the frequency specified in sub-paragraph (b)(3)(i) of this paragraph.

(5) During the test, the tank assembly must be rocked at the rate of 16 to 20 complete cycles per minute, through an angle of 15° on both sides of the horizontal (30° total), about the most critical axis, for 25 hours. If motion about more than one axis is likely to be critical, the tank must be rocked about each critical axis for 12.5 hours.

(c) Except where satisfactory operating experience with a similar tank in a similar installation is shown, non-metallic tanks must withstand the test specified in sub-paragraph (b)(5) of this paragraph, with fuel at a temperature of 43.3°C (110°F). During this test, a representative specimen of the tank must be installed in a supporting structure simulating the installation in the aeroplane.

(d) For pressurised fuel tanks, it must be shown by analysis or tests that the fuel tanks can withstand the maximum pressure likely to occur on the ground or in flight.

CS 25.967 Fuel tank installations

(a) Each fuel tank must be supported so that tank loads (resulting from the weight of the fuel in the tanks) are not concentrated on unsupported tank surfaces. In addition –

(1) There must be pads, if necessary, to prevent chafing between the tank and its supports;

(2) Padding must be non-absorbent or treated to prevent the absorption of fluids;

(3) If a flexible tank liner is used, it must be supported so that it is not required to withstand fluid loads (see AMC 25.967(a)(3)); and

(4) Each interior surface of the tank compartment must be smooth and free of projections that could cause wear of the liner unless –

(i) Provisions are made for protection of the liner at these points; or

(ii) That construction of the liner itself provides that protection.

(b) Spaces adjacent to tank surfaces must be ventilated to avoid fume accumulation due to minor leakage. If the tank is in a sealed compartment, ventilation may be limited to drain holes large enough to prevent excessive pressure resulting from altitude changes.

(c) The location of each tank must meet the requirements of CS 25.1185(a).

(d) No engine nacelle skin immediately behind a major air outlet from the engine compartment may act as the wall of an integral tank.

(e) Each fuel tank must be isolated from personnel compartments by a fumeproof and fuelproof enclosure.

CS 25.969 Fuel tank expansion space

Each fuel tank must have an expansion space of not less than 2% of the tank capacity. It must be impossible to fill the expansion space inadvertently with the aeroplane in the normal ground attitude. For pressure fuelling systems, compliance with this paragraph may be shown with the means provided to comply with CS 25.979(b).

CS 25.971 Fuel tank sump

(a) Each fuel tank must have a sump with an effective capacity, in the normal ground

CS-25 BOOK 1

attitude, of not less than the greater of 0-10% of the tank capacity or one-quarter of a litre unless operating limitations are established to ensure that the accumulation of water in service will not exceed the sump capacity.

(b) Each fuel tank must allow drainage of any hazardous quantity of water from any part of the tank to its sump with the aeroplane in the ground attitude.

(c) Each fuel tank sump must have an accessible drain that –

(1) Allows complete drainage of the sump on the ground;

(2) Discharges clear of each part of the aeroplane; and

(3) Has manual or automatic means for positive locking in the closed position.

CS 25.973 Fuel tank filler connection

Each fuel tank filler connection must prevent the entrance of fuel into any part of the aeroplane other than the tank itself. In addition –

(a) Reserved

(b) Each recessed filler connection that can retain any appreciable quantity of fuel must have a drain that discharges clear of each part of the aeroplane;

(c) Each filler cap must provide a fuel-tight seal; and

(d) Each fuel filling point must have a provision for electrically bonding the aeroplane to ground fuelling equipment.

CS 25.975 Fuel tank vents

(a) *Fuel tank vents.* Each fuel tank must be vented from the top part of the expansion space so that venting is effective under any normal flight condition. In addition –

(1) Each vent must be arranged to avoid stoppage by dirt or ice formation;

(2) The vent arrangement must prevent siphoning of fuel during normal operation;

(3) The venting capacity and vent pressure levels must maintain acceptable differences of pressure between the interior and exterior of the tank, during –

(i) Normal flight operation;

(ii) Maximum rate of ascent and descent; and

(iii) Refuelling and defuelling (where applicable);

(4) Airspaces of tanks with interconnected outlets must be interconnected;

(5) There may be no point in any vent line where moisture can accumulate with the aeroplane in the ground attitude or the level flight attitude, unless drainage is provided; and

(6) No vent or drainage provision may end at any point –

(i) Where the discharge of fuel from the vent outlet would constitute a fire hazard; or

(ii) From which fumes could enter personnel compartments.

CS 25.977 Fuel tank outlet

(a) There must be a fuel strainer for the fuel tank outlet or for the booster pump. This strainer must –

(1) *Reserved.*

(2) Prevent the passage of any object that could restrict fuel flow or damage any fuel system component.

(b) *Reserved.*

(c) The clear area of each fuel tank outlet strainer must be at least five times the area of the outlet line.

(d) The diameter of each strainer must be at least that of the fuel tank outlet.

(e) Each finger strainer must be accessible for inspection and cleaning.

CS 25.979 Pressure fuelling system

For pressure fuelling systems, the following apply:

(a) Each pressure fuelling system fuel manifold connection must have means to prevent the escape of hazardous quantities of fuel from the system if the fuel entry valve fails.

(b) An automatic shut-off means must be provided to prevent the quantity of fuel in each tank from exceeding the maximum quantity approved for that tank. This means must –

CS-25 BOOK 1

(1) Allow checking for proper shut-off operation before each fuelling of the tank; and

(2) Provide indication, at each fuelling station, of failure of the shut-off means to stop the fuel flow at the maximum quantity approved for that tank.

(c) A means must be provided to prevent damage to the fuel system in the event of failure of the automatic shut-off means prescribed in sub-paragraph (b) of this paragraph.

(d) The aeroplane pressure fuelling system (not including fuel tanks and fuel tank vents) must withstand an ultimate load that is 2.0 times the load arising from the maximum pressures, including surge, that is likely to occur during fuelling. The maximum surge pressure must be established with any combination of tank valves being either intentionally or inadvertently closed. (See AMC 25.979 (d).)

(e) The aeroplane defuelling system (not including fuel tanks and fuel tank vents) must withstand an ultimate load that is 2.0 times the load arising from the maximum permissible defuelling pressure (positive or negative) at the aeroplane fuelling connection.

CS 25.981 Fuel tank ignition prevention

(a) No ignition source may be present at each point in the fuel tank or fuel tank system where catastrophic failure could occur due to ignition of fuel or vapours. This must be shown by:

(1) Determining the highest temperature allowing a safe margin below the lowest expected auto-ignition temperature of the fuel in the fuel tanks.

(2) Demonstrating that no temperature at each place inside each fuel tank where fuel ignition is possible will exceed the temperature determined under sub-paragraph (a)(1) of this paragraph. This must be verified under all probable operating, failure, and malfunction conditions of each component whose operation, failure, or malfunction could increase the temperature inside the tank.

(3) Demonstrating that an ignition source does not result from each single failure and from all combinations of failures not shown to be Extremely Improbable as per 25.1309. (See AMC 25.981(a))

(b) Fuel tank flammability

(1) To the extent practicable, design precautions must be taken to prevent the likelihood of flammable vapours within the fuel tanks by limiting heat and energy transfer (See AMC 25.981(b)(1)).

(2) Except as provided in sub-paragraph (4) of this paragraph, no fuel tank Fleet Average Flammability Exposure level may exceed the greater of:

(i) three percent, or

(ii) the exposure achieved in a fuel tank within the wing of the aeroplane model being evaluated. If the wing is not a conventional unheated aluminium wing, the analysis must be based on an assumed Equivalent Conventional Unheated Aluminium Wing (see AMC 25.981(b)(2)).

The Fleet Average Flammability Exposure is determined in accordance with appendix N of CS-25.

(3) Any active Flammability Reduction means introduced to allow compliance with sub-paragraph (2) must meet appendix M of CS-25.

(4) Sub-Paragraph (2) does not apply to a fuel tank if following an ignition of fuel vapours within that fuel tank the aeroplane remains capable of continued safe flight and landing.

(c) Reserved.

(d) Critical design configuration control limitations (CDCCL), inspections, or other procedures must be established, as necessary, to prevent development of ignition sources within the fuel tank system pursuant to sub-paragraph (a) of this paragraph, to prevent increasing the flammability exposure of the tanks above that permitted under sub-paragraph (b) of this paragraph, and to prevent degradation of the performance and reliability of any means provided according to sub-paragraphs (a) or (b)(4) of this paragraph. These CDCCL, inspections, and procedures must be included in the Airworthiness Limitations Section of the instructions for continued airworthiness required by CS 25.1529. Visible means of identifying critical features of the design must be placed in areas of the aeroplane where foreseeable maintenance actions, repairs, or alterations may compromise the critical design configuration control limitations (e.g., colour-coding of wire to identify separation limitation).

CS-25 BOOK 1

These visible means must also be identified as CDCCL.

[Amdt. No.: 25/1]

[Amdt. No.: 25/6]

[Amdt. No.: 25/9]

FUEL SYSTEM COMPONENTS**CS 25.991 Fuel pumps**

(a) *Main pumps.* Each fuel pump required for proper engine operation, or required to meet the fuel system requirements of this Subpart (other than those in sub-paragraph (b) of this paragraph), is a main pump. For each main pump, provision must be made to allow the bypass of each positive displacement fuel pump other than a fuel injection pump approved as part of the engine.

(b) *Emergency pumps.* There must be emergency pumps or another main pump to feed each engine immediately after failure of any main pump.

[Amdt. No.: 25/5]

CS 25.993 Fuel system lines and fittings

(a) Each fuel line must be installed and supported to prevent excessive vibration and to withstand loads due to fuel pressure and accelerated flight conditions.

(b) Each fuel line connected to components of the aeroplane between which relative motion could exist must have provisions for flexibility.

(c) Each flexible connection in fuel lines that may be under pressure and subject to axial loading must use flexible hose assemblies.

(d) Flexible hose must be approved or must be shown to be suitable for the particular application.

(e) No flexible hose that might be adversely affected by exposure to high temperatures may be used where excessive temperatures will exist during operation or after engine shut-down.

(f) Each fuel line within the fuselage must be designed and installed to allow a reasonable degree of deformation and stretching without leakage.

CS 25.994 Fuel system components
(See AMC 25.994)

Fuel system components in an engine nacelle or in the fuselage must be protected from damage which could result in spillage of enough fuel to constitute a fire hazard as a result of a wheels-up landing on a paved runway under each of the conditions prescribed in CS 25.721(b).

[Amdt. No.: 25/3]

CS 25.995 Fuel valves

In addition to the requirements of CS 25.1189 for shut-off means, each fuel valve must –

(a) *Reserved.*

(b) Be supported so that no loads resulting from their operation or from accelerated flight conditions are transmitted to the lines attached to the valve.

CS 25.997 Fuel strainer or filter

There must be a fuel strainer or filter between the fuel tank outlet and the inlet of either the fuel metering device or an engine driven positive displacement pump, whichever is nearer the fuel tank outlet. This fuel strainer or filter must –

(a) Be accessible for draining and cleaning and must incorporate a screen or element which is easily removable;

(b) Have a sediment trap and drain except that it need not have a drain if the strainer or filter is easily removable for drain purposes;

(c) Be mounted so that its weight is not supported by the connecting lines or by the inlet or outlet connections of the strainer or filter itself, unless adequate strength margins under all loading conditions are provided in the lines and connections; and

(d) Have the capacity (with respect to operating limitations established for the engine) to ensure that engine fuel system functioning is not impaired, with the fuel contaminated to a degree (with respect to particle size and density) that is greater than that established for the engine in CS-E.

CS 25.999 Fuel systems drains

(a) Drainage of the fuel system must be accomplished by the use of fuel strainer and fuel tank sump drains.

CS-25 BOOK 1

(b) Each drain required by sub-paragraph (a) of this paragraph must –

(1) Discharge clear of all parts of the aeroplane;

(2) Have manual or automatic means for positive locking in the closed position; and

(3) Have a drain valve –

(i) That is readily accessible and which can be easily opened and closed; and

(ii) That is either located or protected to prevent fuel spillage in the event of a landing with landing gear retracted.

CS 25.1001 Fuel jettisoning system

(a) A fuel jettisoning system must be installed on each aeroplane unless it is shown that the aeroplane meets the climb requirements of CS 25.119 and 25.121(d) at maximum take-off weight, less the actual or computed weight of fuel necessary for a 15-minute flight comprised of a take-off, go-around, and landing at the airport of departure with the aeroplane configuration, speed, power, and thrust the same as that used in meeting the applicable take-off, approach, and landing climb performance requirements of this CS-25.

(b) If a fuel jettisoning system is required it must be capable of jettisoning enough fuel within 15 minutes, starting with the weight given in sub-paragraph (a) of this paragraph, to enable the aeroplane to meet the climb requirements of CS 25.119 and 25.121(d), assuming that the fuel is jettisoned under the conditions, except weight, found least favourable during the flight tests prescribed in sub-paragraph (c) of this paragraph.

(c) Fuel jettisoning must be demonstrated beginning at maximum take-off weight with wing-flaps and landing gear up and in –

(1) A power-off glide at $1.3 V_{SR1}$;

(2) A climb at the one-engine inoperative best rate-of-climb speed, with the critical engine inoperative and the remaining engines at maximum continuous power; and

(3) Level flight at $1.3 V_{SR1}$, if the results of the tests in the condition specified in sub-paragraphs (c)(1) and (2) of this paragraph show that this condition could be critical.

(d) During the flight tests prescribed in sub-paragraph (c) of this paragraph, it must be shown that –

(1) The fuel jettisoning system and its operation are free from fire hazard;

(2) The fuel discharges clear of any part of the aeroplane;

(3) Fuel or fumes do not enter any parts of the aeroplane;

(4) The jettisoning operation does not adversely affect the controllability of the aeroplane.

(e) *Reserved.*

(f) Means must be provided to prevent jettisoning the fuel in the tanks used for take-off and landing below the level allowing climb from sea level to 3048 m (10 000 ft) and thereafter allowing 45 minutes cruise at a speed for maximum range. However, if there is an auxiliary control independent of the main jettisoning control, the system may be designed to jettison the remaining fuel by means of the auxiliary jettisoning control.

(g) The fuel jettisoning valve must be designed to allow flight personnel to close the valve during any part of the jettisoning operation.

(h) Unless it is shown that using any means (including flaps, slots and slats) for changing the airflow across or around the wings does not adversely affect fuel jettisoning, there must be a placard, adjacent to the jettisoning control, to warn flight-crew members against jettisoning fuel while the means that change the airflow are being used.

(i) The fuel jettisoning system must be designed so that any reasonably probable single malfunction in the system will not result in a hazardous condition due to unsymmetrical jettisoning of, or inability to jettison, fuel.

OIL SYSTEM**CS 25.1011 General**

(a) Each engine must have an independent oil system that can supply it with an appropriate quantity of oil at a temperature not above that safe for continuous operation.

(b) The usable oil capacity may not be less than the product of the endurance of the aeroplane under critical operating conditions and the approved maximum allowable oil

CS-25 BOOK 1

consumption of the engine under the same conditions, plus a suitable margin to ensure system circulation.

CS 25.1013 Oil tanks

(a) *Installation.* Each oil tank installation must meet the requirements of CS 25.967.

(b) *Expansion space.* Oil tank expansion space must be provided as follows:

(1) Each oil tank must have an expansion space of not less than 10% of the tank capacity.

(2) Each reserve oil tank not directly connected to any engine may have an expansion space of not less than 2% of the tank capacity.

(3) It must be impossible to fill the expansion space inadvertently with the aeroplane in the normal ground attitude.

(c) *Filler connection.* Each recessed oil tank filler connection that can retain any appreciable quantity of oil must have a drain that discharges clear of each part of the aeroplane. In addition each oil tank filler cap must provide an oil-tight seal.

(d) *Vent.* Oil tanks must be vented as follows:

(1) Each oil tank must be vented from the top part of the expansion space so that venting is effective under any normal flight condition.

(2) Oil tank vents must be arranged so that condensed water vapour that might freeze and obstruct the line cannot accumulate at any point.

(e) *Outlet.* There must be means to prevent entrance into the tank itself, or into the tank outlet, of any object that might obstruct the flow of oil through the system. No oil tank outlet may be enclosed by any screen or guard that would reduce the flow of oil below a safe value at any operating temperature. There must be a shut-off valve at the outlet of each oil tank, unless the external portion of the oil system (including the oil tank supports) is fireproof.

(f) *Flexible oil tank liners.* Each flexible oil tank liner must be approved or must be shown to be suitable for the particular application.

CS 25.1015 Oil tank tests

Each oil tank must be designed and installed so that –

(a) It can withstand, without failure, each vibration, inertia, and fluid load that it may be subjected to in operation; and

(b) It meets the provisions of CS 25.965, except –

(1) The test pressure –

(i) For pressurised tanks used with a turbine engine, may not be less than 34 kPa (5 psi) plus the maximum operating pressure of the tank instead of the pressure specified in CS 25.965(a); and

(ii) For all other tanks, may not be less than 34 kPa (5 psi) instead of the pressure specified in CS 25.965(a); and

(2) The test fluid must be oil at 121°C (250°F) instead of the fluid specified in CS 25.965(c).

CS 25.1017 Oil lines and fittings

(a) Each oil line must meet the requirements of CS 25.993 and each oil line and fitting in any designated fire zone must meet the requirements of CS 25.1183.

(b) Breather lines must be arranged so that –

(1) Condensed water vapour that might freeze and obstruct the line cannot accumulate at any point;

(2) The breather discharge does not constitute a fire hazard if foaming occurs or causes emitted oil to strike the pilot's wind-shield; and

(3) The breather does not discharge into the engine air induction system.

CS 25.1019 Oil strainer or filter

(a) Each turbine engine installation must incorporate an oil strainer or filter through which all of the engine oil flows and which meets the following requirements:

(1) Each oil strainer or filter that has a bypass, must be constructed and installed so that oil will flow at the normal rate through the rest of the system with the strainer or filter completely blocked.

CS-25 BOOK 1

(2) The oil strainer or filter must have the capacity (with respect to operating limitations established for the engine) to ensure that engine oil system functioning is not impaired when the oil is contaminated to a degree (with respect to particle size and density) that is greater than that established for the engine under CS-E.

(3) The oil strainer or filter, unless it is installed at an oil tank outlet, must incorporate an indicator that will indicate contamination before it reaches the capacity established in accordance with sub-paragraph (a) (2) of this paragraph.

(4) The bypass of a strainer or filter must be constructed and installed so that the release of collected contaminants is minimised by appropriate location of the bypass to ensure that collected contaminants are not in the bypass flow path.

(5) An oil strainer or filter that has no bypass, except one that is installed at an oil tank outlet, must have a means to connect it to the warning system required in CS 25.1305(c)(7).

CS 25.1021 Oil system drains

A drain (or drains) must be provided to allow safe drainage of the oil system. Each drain must –

- (a) Be accessible; and
- (b) Have manual or automatic means for positive locking in the closed position.

CS 25.1023 Oil radiators

(a) Each oil radiator must be able to withstand, without failure, any vibration, inertia, and oil pressure load to which it would be subjected in operation.

(b) Each oil radiator air duct must be located so that, in case of fire, flames coming from normal openings of the engine nacelle cannot impinge directly upon the radiator.

CS 25.1025 Oil valves

(a) Each oil shut-off must meet the requirements of CS 25.1189.

(b) The closing of oil shut-off means may not prevent propeller feathering.

(c) Each oil valve must have positive stops or suitable index provisions in the 'on' and 'off'

positions and must be supported so that no loads resulting from its operation or from accelerated flight conditions are transmitted to the lines attached to the valve.

CS 25.1027 Propeller feathering system
(See AMC 25.1027.)

(a) If the propeller feathering system depends on engine oil, there must be means to trap an amount of oil in the tank if the supply becomes depleted due to failure of any part of the lubricating system other than the tank itself.

(b) The amount of trapped oil must be enough to accomplish the feathering operation and must be available only to the feathering pump. (See AMC 25.1027 (b).)

(c) The ability of the system to accomplish feathering with the trapped oil must be shown. This may be done on the ground using an auxiliary source of oil for lubricating the engine during operation.

(d) Provision must be made to prevent sludge or other foreign matter from affecting the safe operation of the propeller feathering system.

COOLING**CS 25.1041 General**

The powerplant cooling provisions must be able to maintain the temperatures of powerplant components, and engine fluids, within the temperature limits established for these components

and fluids, under ground and flight operating conditions, and after normal engine shutdown.

CS 25.1043 Cooling tests

(a) *General.* Compliance with CS 25.1041 must be shown by tests, under critical ground and flight operating conditions. For these tests, the following apply:

(1) If the tests are conducted under conditions deviating from the maximum ambient atmospheric temperature, the recorded power-plant temperatures must be corrected under sub-paragraph (c) of this paragraph.

(2) No corrected temperatures determined under sub-paragraph (1) of this paragraph may exceed established limits.

CS–25 BOOK 1

(3) *Reserved.*

(b) *Maximum ambient atmospheric temperature.* A maximum ambient atmospheric temperature corresponding to sea level conditions of at least 37.8°C (100°F) must be established. The assumed temperature lapse rate is 6.6°C per thousand meter (3.6°F per thousand feet) of altitude above sea level until a temperature of -56.5°C (-69.7°F) is reached, above which altitude the temperature is considered at -56.5°C (-69.7°F). However, for winterization installations, the applicant may select a maximum ambient atmospheric temperature corresponding to sea-level conditions of less than 37.8°C (100°F).

(c) *Correction factor.* Unless a more rational correction applies, temperatures of engine fluids and powerplant components for which temperature limits are established, must be corrected by adding to them the difference between the maximum ambient atmospheric temperature and the temperature of the ambient air at the time of the first occurrence of the maximum component or fluid temperature recorded during the cooling test.

CS 25.1045 Cooling test procedures

(a) Compliance with CS 25.1041 must be shown for the take-off, climb, en-route, and landing stages of flight that correspond to the applicable performance requirements. The cooling tests must be conducted with the aeroplane in the configuration, and operating under the conditions, that are critical relative to cooling during each stage of flight. For the cooling tests, a temperature is 'stabilised' when its rate of change is less than 1°C (2°F) per minute.

(b) Temperatures must be stabilised under the conditions from which entry is made into each stage of flight being investigated, unless the entry condition normally is not one during which component and engine fluid temperatures would stabilise (in which case, operation through the full entry condition must be conducted before entry into the stage of flight being investigated in order to allow temperatures to reach their natural levels at the time of entry). The take-off cooling test must be preceded by a period during which the powerplant component and engine fluid temperatures are stabilised with the engines at ground idle.

(c) Cooling tests for each stage of flight must be continued until –

(1) The component and engine fluid temperatures stabilise;

(2) The stage of flight is completed;
or

(3) An operating limitation is reached.

AIR INTAKE SYSTEM**CS 25.1091 Air intake**

(a) The air intake system for each engine must supply –

(1) The air required by that engine under each operating condition for which certification is requested; and

(2) The air for proper fuel metering and mixture distribution with the air intake system valves in any position.

(b) *Reserved.*

(c) Air intakes may not open within the cowling, unless that part of the cowling is isolated from the engine accessory section by means of a fireproof diaphragm.

(d) (1) There must be means to prevent hazardous quantities of fuel leakage or overflow from drains, vents, or other components of flammable fluid systems from entering the engine air intake system; and

(2) The aeroplane must be designed to prevent water or slush on the runway, taxiway, or other airport operating surfaces from being directed into the engine air intake ducts in hazardous quantities, and the air intake ducts must be located or protected so as to minimise the ingestion of foreign matter during take-off, landing and taxiing. (See AMC 25.1091 (d)(2).)

(e) If the engine air intake system contains parts or components that could be damaged by foreign objects entering the air intake, it must be shown by tests or, if appropriate, by analysis that the air intake system design can withstand the foreign object ingestion test conditions of CS–E 790 and CS–E 800 without failure of parts or components that could create a hazard. (See AMC 25.1091(e).)

CS 25.1093 Air intake system de-icing and anti-icing provisions

(a) *Reserved.*

(b) Turbine engines

CS-25 BOOK 1

(1) Each turbine engine must operate throughout the flight power range of the engine (including idling), without the accumulation of ice on the engine, inlet system components, or airframe components that would adversely affect engine operation or cause a serious loss of power or thrust (see AMC 25.1093 (b).) –

(i) Under the icing conditions specified in Appendix C.

(ii) Reserved

(2) Each engine must idle for 30 minutes on the ground, with the air bleed available for engine icing protection at its critical condition, without adverse effect, in an atmosphere that is at a temperature between -9° and -1°C (15° and 30°F) and has a liquid water content not less than 0.3 grams per cubic metre in the form of drops having a mean effective diameter not less than 20 microns, followed by a momentary operation at take-off power or thrust. During the 30 minutes of idle operation, the engine may be run up periodically to a moderate power or thrust setting.

CS 25.1103 Air intake system ducts and air duct systems

(a) *Reserved.*

(b) Each air intake system must be –

(1) Strong enough to prevent structural failure resulting from engine surging; and

(2)

Fire-resistant if it is in any fire zone for which a fire extinguishing system is required.

(c) Each duct connected to components between which relative motion could exist must have means for flexibility.

(d) For bleed air systems no hazard may result if a duct rupture or failure occurs at any point between the engine port and the aeroplane unit served by the bleed air. (See AMC 25.1103 (d).)

EXHAUST SYSTEM**CS 25.1121 General**

For powerplant installations the following apply:

(a) Each exhaust system must ensure safe disposal of exhaust gases without fire hazard or carbon monoxide contamination in any personnel compartment. For test purposes, any acceptable carbon monoxide detection method may be used to show the absence of carbon monoxide. (See AMC 25.1121(a).)

(b) Each exhaust system part with a surface hot enough to ignite flammable fluids or vapours must be located or shielded so that leakage from any system carrying flammable fluids or vapours will not result in a fire caused by impingement of the fluids or vapours on any part of the exhaust system including shields for the exhaust system. (See AMC 25.1121(b).)

(c) Each component that hot exhaust gases could strike, or that could be subjected to high temperatures from exhaust system parts, must be fireproof. All exhaust system components must be separated by fireproof shields from adjacent parts of the aeroplane that are outside the engine compartment.

(d) No exhaust gases may discharge so as to cause a fire hazard with respect to any flammable fluid vent or drain.

(e) No exhaust gases may discharge where they will cause a glare seriously affecting pilot vision at night.

(f) Each exhaust system component must be ventilated to prevent points of excessively high temperature.

(g) Each exhaust shroud must be ventilated or insulated to avoid, during normal operation, a temperature high enough to ignite any flammable fluids or vapours external to the shroud.

CS 25.1123 Exhaust piping

For powerplant installations, the following apply:

(a) Exhaust piping must be heat and corrosion resistant, and must have provisions to prevent failure due to expansion by operating temperatures.

(b) Piping must be supported to withstand any vibration and inertia loads to which it would be subjected in operation; and

(c) Piping connected to components between which relative motion could exist must have means for flexibility.

CS-25 BOOK 1**POWERPLANT CONTROLS AND ACCESSORIES****CS 25.1141 Powerplant controls: general**

Each powerplant control must be located, arranged, and designed under CS 25.777 to 25.781 and marked under CS 25.1555. In addition, it must meet the following requirements:

(a) Each control must be located so that it cannot be inadvertently operated by persons entering, leaving, or moving normally in, the cockpit.

(b) Each flexible control must be approved or must be shown to be suitable for the particular application.

(c) Each control must have sufficient strength and rigidity to withstand operating loads without failure and without excessive deflection.

(d) Each control must be able to maintain any set position without constant attention by flight-crew members and without creep due to control loads or vibration.

(e) The portion of each powerplant control located in a designated fire zone that is required to be operated in the event of fire must be at least fire resistant. (See CS 25.903(c).)

(f) For Powerplant valve controls located in the flight deck there must be a means:

(1) for the flightcrew to select each intended position or function of the valve; and

(2) to indicate to the flightcrew:

(i) the selected position or function of the valve; and

(ii) when the valve has not responded as intended to the selected position or function.

[Amdt. No.: 25/1]

CS 25.1143 Engine controls

(a) There must be a separate power or thrust control for each engine.

(b) Power and thrust controls must be arranged to allow –

(1) Separate control of each engine; and

(2) Simultaneous control of all engines.

(c) Each power and thrust control must provide a positive and immediately responsive means of controlling its engine.

(d) For each fluid injection (other than fuel) system and its controls not provided and approved as part of the engine, the flow of the injection fluid must be adequately controlled.

(e) If a power or thrust control incorporates a fuel shut-off feature, the control must have a means to prevent the inadvertent movement of the control into the shut-off position. The means must –

(1) Have a positive lock or stop at the idle position; and

(2) Require a separate and distinct operation to place the control in the shut-off position.

CS 25.1145 Ignition switches

(a) Ignition switches must control each engine ignition circuit on each engine.

(b) There must be means to quickly shut off all ignition by the grouping of switches or by a master ignition control.

(c) Each group of ignition switches except ignition switches for turbine engines for which continuous ignition is not required, and each master ignition control must have a means to prevent its inadvertent operation.

CS 25.1149 Propeller speed and pitch controls

(a) There must be a separate propeller speed and pitch control for each propeller.

(b) The controls must be grouped and arranged to allow –

(1) Separate control of each propeller; and

(2) Simultaneous control of all propellers.

(c) The controls must allow synchronisation of all propellers.

(d) The propeller speed and pitch controls must be to the right of, and at least 25 mm (one inch) below, the pilot's throttle controls.

CS-25 BOOK 1**CS 25.1153 Propeller feathering controls**

(a) There must be a separate propeller feathering control for each propeller. The control must have means to prevent its inadvertent operation.

(b) If feathering is accomplished by movement of the propeller pitch or speed control lever, there must be means to prevent the inadvertent movement of this lever to the feathering position during normal operation.

CS 25.1155 Reverse thrust and propeller pitch settings below the flight regime

Each control for selecting propeller pitch settings below the flight regime (reverse thrust for turbo-jet powered aeroplanes) must have the following:

(a) A positive lock or stop which requires a separate and distinct operation by the flight crew to displace the control from the flight regime (forward thrust regime for turbo-jet powered aeroplanes), and it must only be possible to make this separate and distinct operation once the control has reached the flight idle position.

(b) A means to prevent both inadvertent and intentional selection or activation of propeller pitch settings below the flight regime (reverse thrust for turbo-jet powered aeroplanes) when out of the approved in-flight operating envelope for that function, and override of that means is prohibited.

(c) A reliability, such that the loss of the means required by sub-paragraph (b) above is remote.

(d) A caution provided to the flight crew when the means required by sub-paragraph (b) above is lost.

(e) A caution provided to the flight crew when a cockpit control is displaced from the flight regime (forward thrust regime for turbo-jet powered aeroplanes) into a position to select propeller pitch settings below the flight regime (reverse thrust for turbo-jet powered aeroplanes) outside the approved in-flight operating envelope. This caution need not be provided if the means required by sub-paragraph (b) is a mechanical baulk that prevents movement of the control.

CS 25.1161 Fuel jettisoning system controls

Each fuel jettisoning system control must have guards to prevent inadvertent operation. No

control may be near any fire extinguisher control or other control used to combat fire.

CS 25.1163 Powerplant accessories

(a) Each engine-mounted accessory must –

(1) Be approved for mounting on the engine involved;

(2) Use the provisions on the engine for mounting; and

(3) Be sealed to prevent contamination of the engine oil system and the accessory system.

(b) Electrical equipment subject to arcing or sparking must be installed to minimise the probability of contact with any flammable fluids or vapours that might be present in a free state.

(c) If continued rotation of an engine-driven cabin supercharger or of any remote accessory driven by the engine is hazardous if malfunctioning occurs, there must be means to prevent rotation without interfering with the continued operation of the engine.

CS 25.1165 Engine ignition systems

(a) Each battery ignition system must be supplemented by a generator that is automatically available as an alternate source of electrical energy to allow continued engine operation if any battery becomes depleted.

(b) The capacity of batteries and generators must be large enough to meet the simultaneous demands of the engine ignition system and the greatest demands of any electrical system components that draw electrical energy from the same source.

(c) The design of the engine ignition system must account for –

(1) The condition of an inoperative generator;

(2) The condition of a completely depleted battery with the generator running at its normal operating speed; and

(3) The condition of a completely depleted battery with the generator operating at idling speed, if there is only one battery.

(d) *Reserved.*

(e) No ground wire for any engine may be routed through a fire zone of another engine

CS-25 BOOK 1

unless each part of that wire within that zone is fireproof.

(f) Each ignition system must be independent of any electrical circuit not used for assisting, controlling, or analysing the operation of that system.

(g) There must be means to warn appropriate flight-crew members if the malfunctioning of any part of the electrical system is causing the continuous discharge of any battery necessary for engine ignition.

(h) Each engine ignition system of a turbine powered aeroplane must be considered an essential electrical load.

CS 25.1167 Accessory gearboxes

For aeroplanes equipped with an accessory gearbox that is not certificated as part of an engine –

(a) The engine with gearbox and connecting transmissions and shafts attached must be subjected to the test specified in CS-E 160 and CS-E 740, as applicable.

(b) The accessory gearbox must meet the requirements of CS-E 80 and CS-E 590, as applicable; and

(c) Possible misalignments and torsional loadings of the gearbox, transmission, and shaft system, expected to result under normal operating conditions must be evaluated.

POWERPLANT FIRE PROTECTION**CS 25.1181 Designated fire zones: regions included**

(See AMC 25.1181.)

(a) Designated fire zones are –

(1) The engine power section;

(2) The engine accessory section;

(3) Any complete powerplant compartment in which no isolation is provided between the engine power section and the engine accessory section;

(4) *Reserved.*

(5) Any fuel-burning heater and other combustion equipment installation described in CS 25.859;

(6) The compressor and accessory sections of turbine engines; and

(7) Combustor, turbine, and tailpipe sections of turbine engine installations that contain lines or components carrying flammable fluids or gases.

(b) Each designated fire zone must meet the requirements of CS 25.863, 25.867, 25.869, and 25.1185 to 25.1203

CS 25.1182 Nacelle areas behind firewalls, and engine pod attaching structures containing flammable fluid lines

(a) Each nacelle area immediately behind the firewall, and each portion of any engine pod attaching structure containing flammable fluid lines, must meet each requirement of CS 25.1103 (b), 25.1165 (e), 25.1183, 25.1185 (c), 25.1187, 25.1189 and 25.1195 to 25.1203, including those concerning designated fire zones. However, engine pod attaching structures need not contain fire detection or extinguishing means.

(b) For each area covered by sub-paragraph (a) of this paragraph that contains a retractable landing gear, compliance with that sub-paragraph need only be shown with the landing gear retracted.

CS 25.1183 Flammable fluid-carrying components

(a) Except as provided in sub-paragraph (b) of this paragraph, each line, fitting, and other component carrying flammable fluid in any area subject to engine fire conditions, and each component which conveys or contains flammable fluid in a designated fire zone must be fire resistant, except that flammable fluid tanks and supports in a designated fire zone must be fireproof or be enclosed by a fireproof shield unless damage by fire to any non-fireproof part will not cause leakage or spillage of flammable fluid. Components must be shielded or located to safeguard against the ignition of leaking flammable fluid.

(b) Subparagraph (a) of this paragraph does not apply to –

(1) Lines, fittings and components which are already approved as part of a type certificated engine; and

(2) Vent and drain lines, and their fittings, whose failure will not result in, or add to, a fire hazard.

CS-25 BOOK 1

(c) All components, including ducts, within a designated fire zone must be fireproof if, when exposed to or damaged by fire, they could –

(1) Result in fire spreading to other regions of the aeroplane, or

(2) Cause unintentional operation of, or inability to operate, essential services or equipment.

CS 25.1185 Flammable fluids

(a) No tank or reservoir that is a part of a system containing flammable fluids or gases may be in a designated fire zone unless the fluid contained, the design of the system, the materials used in the tank, the shut-off means, and all connections, lines and controls provide a degree of safety equal to that which would exist if the tank or reservoir were outside such a zone.

(b) There must be at least 13 mm (0.5 inches) of clear airspace between each tank or reservoir and each firewall or shroud isolating a designated fire zone.

(c) Absorbent materials close to flammable fluid system components that might leak must be covered or treated to prevent the absorption of hazardous quantities of fluids.

CS 25.1187 Drainage and ventilation of fire zones

(a) There must be complete drainage of each part of each designated fire zone to minimise the hazards resulting from failure or malfunctioning of any component containing flammable fluids. The drainage means must be –

(1) Effective under conditions expected to prevail when drainage is needed; and

(2) Arranged so that no discharge fluid will cause an additional fire hazard.

(b) Each designated fire zone must be ventilated to prevent the accumulation of flammable vapours.

(c) No ventilation opening may be where it would allow the entry of flammable fluids, vapours, or flame from other zones.

(d) Each ventilation means must be arranged so that no discharged vapours will cause an additional fire hazard.

(e) Unless the extinguishing agent capacity and rate of discharge are based on maximum air flow through a zone, there must be a means to allow the crew to shut-off sources of forced ventilation to any fire zone except the engine power section of the nacelle and the combustion heater ventilating air ducts.

CS 25.1189 Shut-off means

(See AMC 25.1189.)

(a) Each engine installation and each fire zone specified in CS 25.1181 (a)(5) must have a means to shut off or otherwise prevent hazardous quantities of fuel, oil, de-icer, and other flammable fluids, from flowing into, within, or through any designated fire zone, except that shut-off means are not required for –

(1) Lines, fittings, and components forming an integral part of an engine; and

(2) Oil systems in which all components of the system in a designated fire zone, including the oil tanks, are fireproof or located in areas not subject to engine fire conditions.

(b) The closing of any fuel shut-off valve for any engine may not make fuel unavailable to the remaining engines.

(c) Operation of any shut-off means may not interfere with the later emergency operation of other equipment, such as the means for feathering the propeller.

(d) Each flammable fluid shut-off means and control must be fireproof or must be located and protected so that any fire in a fire zone will not affect its operation.

(e) No hazardous quantity of flammable fluid may drain into any designated fire zone after shut-off.

(f) There must be means to guard against inadvertent operation of the shut-off means and to make it possible for the crew to reopen the shut-off means in flight after it has been closed.

(g) Each tank-to-engine shut-off valve must be located so that the operation of the valve will not be affected by powerplant or engine mount structural failure.

(h) Each shut-off valve must have a means to relieve excessive pressure accumulation unless a means for pressure relief is otherwise provided in the system.

[Amdt. No.: 25/1]

CS-25 BOOK 1**CS 25.1191 Firewalls**

(a) Each engine, fuel-burning heater, other combustion equipment intended for operation in flight, and the combustion, turbine, and tailpipe sections of turbine engines, must be isolated from the rest of the aeroplane by firewalls, shrouds, or equivalent means.

(b) Each firewall and shroud must be –

(1) Fireproof;

(2) Constructed so that no hazardous quantity of air, fluid, or flame can pass from the compartment to other parts of the aeroplane;

(3) Constructed so that each opening is sealed with close fitting fireproof grommets, bushings, or firewall fittings; and

(4) Protected against corrosion.

CS 25.1193 Cowling and nacelle skin

(a) Each cowling must be constructed and supported so that it can resist any vibration, inertia, and air load to which it may be subjected in operation.

(b) Cowling must meet the drainage and ventilation requirements of CS 25.1187.

(c) On aeroplanes with a diaphragm isolating the engine power section from the engine accessory section, each part of the accessory section cowling subject to flame in case of fire in the engine power section of the powerplant must–

(1) Be fireproof; and

(2) Meet the requirements of CS 25.1191.

(d) Each part of the cowling subject to high temperatures due to its nearness to exhaust system parts or exhaust gas impingement must be fireproof.

(e) Each aeroplane must –

(1) Be designed and constructed so that no fire originating in any fire zone can enter, either through openings or by burning through external skin, any other zone or region where it would create additional hazards;

(2) Meet subparagraph (e)(1) of this paragraph with the landing gear retracted (if applicable); and

(3) Have cowlings and nacelles skins, in areas subject to flame if a fire starts in an

engine fire zone, complying with the following:

(i) For in-flight operations, cowlings and nacelles skins must be fireproof in the complete concerned areas, and

(ii) For ground operations, cowlings and nacelles skins must be:

(a) Fireproof in the portions of the concerned areas where a skin burn through would affect critical areas of the aeroplane, and

(b) Fire-resistant or compliant with subparagraph (e)(1) of this paragraph in the remaining portions of the concerned areas.

(See AMC 25.1193(e))

[Amdt No: 25/13]

CS 25.1195 Fire-extinguisher systems

(a) Except for combustor, turbine, and tail pipe sections of turbine engine installations that contain lines or components carrying flammable fluids or gases for which it is shown that a fire originating in these sections can be controlled, there must be a fire extinguisher system serving each designated fire zone.

(b) The fire-extinguishing system, the quantity of the extinguishing agent, the rate of discharge, and the discharge distribution must be adequate to extinguish fires. It must be shown by either actual or simulated flight tests that under critical airflow conditions in flight the discharge of the extinguishing agent in each designated fire zone specified in subparagraph (a) of this paragraph will provide an agent concentration capable of extinguishing fires in that zone and of minimising the probability of re-ignition. An individual 'one-shot' system may be used for fuel burning heaters, and other combustion equipment. For each other designated fire zone, two discharges must be provided each of which produces adequate agent concentration. (See AMC 25.1195(b).)

(c) The fire-extinguishing system for a nacelle must be able to simultaneously protect each zone of the nacelle for which protection is provided.

CS 25.1197 Fire-extinguishing agents

(See AMC 25.1197.)

(a) Fire-extinguishing agents must –

CS-25 BOOK 1

(1) Be capable of extinguishing flames emanating from any burning of fluids or other combustible materials in the area protected by the fire extinguishing system; and

(2) Have thermal stability over the temperature range likely to be experienced in the compartment in which they are stored.

(b) If any toxic extinguishing agent is used, provisions must be made to prevent harmful concentrations of fluid or fluid vapours (from leakage during normal operation of the aeroplane or as a result of discharging the fire extinguisher on the ground or in flight) from entering any personnel compartment, even though a defect may exist in the extinguishing system. This must be shown by test except for built-in carbon dioxide fuselage compartment fire extinguishing systems for which –

(1) 2.3 kg (five pounds) or less of carbon dioxide will be discharged, under established fire control procedures, into any fuselage compartment; or

(2) There is protective breathing equipment for each flight-crew member on flight deck duty.

[Amdt. No.: 25/12]

CS 25.1199 Extinguishing agent containers

(a) Each extinguishing agent container must have a pressure relief to prevent bursting of the container by excessive internal pressures.

(b) The discharge end of each discharge line from a pressure relief connection must be located so that discharge of the fire extinguishing agent would not damage the aeroplane. The line must also be located or protected to prevent clogging caused by ice or other foreign matter.

(c) There must be a means for each fire extinguishing agent container to indicate that the container has discharged or that the charging pressure is below the established minimum necessary for proper functioning.

(d) The temperature of each container must be maintained, under intended operating conditions, to prevent the pressure in the container from –

(1) Falling below that necessary to provide an adequate rate of discharge; or

(2) Rising high enough to cause premature discharge.

(e) If a pyrotechnic capsule is used to discharge the extinguishing agent, each container must be installed so that temperature conditions will not cause hazardous deterioration of the pyrotechnic capsule.

CS 25.1201 Fire-extinguishing system materials

(a) No material in any fire extinguishing system may react chemically with any extinguishing agent so as to create a hazard.

(b) Each system component in an engine compartment must be fireproof.

CS 25.1203 Fire-detector system

(a) There must be approved, quick acting fire or overheat detectors in each designated fire zone, and in the combustion, turbine, and tailpipe sections of turbine engine installations, in numbers and locations ensuring prompt detection of fire in those zones.

(b) Each fire detector system must be constructed and installed so that –

(1) It will withstand the vibration, inertia, and other loads to which it may be subjected in operation;

(2) There is a means to warn the crew in the event that the sensor or associated wiring within a designated fire zone is severed at one point, unless the system continues to function as a satisfactory detection system after the severing; and

(3) There is a means to warn the crew in the event of a short circuit in the sensor or associated wiring within a designated fire zone, unless the system continues to function as a satisfactory detection system after the short circuit.

(c) No fire or overheat detector may be affected by any oil, water, other fluids, or fumes that might be present.

(d) There must be means to allow the crew to check, in flight, the functioning of each fire or overheat detector electric circuit.

(e) Components of each fire or overheat detector system in a fire zone must be at least fire-resistant.

CS-25 BOOK 1

(f) No fire or overheat detector system component for any fire zone may pass through another fire zone, unless –

(1) It is protected against the possibility of false warnings resulting from fires in zones through which it passes; or

(2) Each zone involved is simultaneously protected by the same detector and extinguishing system.

(g) Each fire detector system must be constructed so that when it is in the configuration for installation it will not exceed the alarm activation time approved for the detectors using the response time criteria specified in the appropriate European Technical Standard Order for the detector.

(h) Electrical wiring interconnection systems for each fire or overheat detector system in a fire zone must meet the requirements of CS 25.1713 and 1731.

[Amdt. No.: 25/5]

CS 25.1207 Compliance

Unless otherwise specified, compliance with the requirements of CS 25.1181 to 25.1203 must be shown by a full scale fire test or by one or more of the following methods:

(a) Tests of similar powerplant configurations;

(b) Tests of components;

(c) Service experience of aeroplanes with similar powerplant configurations;

(d) Analysis.

CS-25 BOOK 1**SUBPART F – EQUIPMENT****GENERAL****CS 25.1301 Function and installation**
(See AMC 25.1301)

(a) Each item of installed equipment must –

(1) Be of a kind and design appropriate to its intended function;

(2) Be labelled as to its identification, function, or operating limitations, or any applicable combination of these factors. (See AMC 25.1301(a)(2).)

(3) Be installed according to limitations specified for that equipment.

(b) Electrical wiring interconnection systems must meet the requirements of subpart H of this CS-25.

[Amdt. No.: 25/2]

[Amdt. No.: 25/5]

CS 25.1302 Installed systems and equipment for use by the flight crew
(See AMC 25.1302)

This paragraph applies to installed equipment intended for flight-crew members' use in the operation of the aeroplane from their normally seated positions on the flight deck. This installed equipment must be shown, individually and in combination with other such equipment, to be designed so that qualified flight-crew members trained in its use can safely perform their tasks associated with its intended function by meeting the following requirements:

(a) Flight deck controls must be installed to allow accomplishment of these tasks and information necessary to accomplish these tasks must be provided.

(b) Flight deck controls and information intended for flight crew use must:

(1) Be presented in a clear and unambiguous form, at resolution and precision appropriate to the task.

(2) Be accessible and usable by the flight crew in a manner consistent with the urgency, frequency, and duration of their tasks, and

(3) Enable flight crew awareness, if awareness is required for safe operation, of the effects on the aeroplane or systems resulting from flight crew actions.

(c) Operationally-relevant behaviour of the installed equipment must be:

(1) Predictable and unambiguous, and

(2) Designed to enable the flight crew to intervene in a manner appropriate to the task.

(d) To the extent practicable, installed equipment must enable the flight crew to manage errors resulting from the kinds of flight crew interactions with the equipment that can be reasonably expected in service, assuming the flight crew is acting in good faith. This subparagraph (d) does not apply to skill-related errors associated with manual control of the aeroplane.

[Amdt. No.: 25/3]

CS 25.1303 Flight and navigation instruments

(a) The following flight and navigation instruments must be installed so that the instrument is visible from each pilot station:

(1) A free-air temperature indicator or an air-temperature indicator which provides indications that are convertible to free-air temperature.

(2) A clock displaying hours, minutes, and seconds with a sweep-second pointer or digital presentation.

(3) A direction indicator (non-stabilised magnetic compass).

(b) The following flight and navigation instruments must be installed at each pilot station:

(1) An airspeed indicator. If airspeed limitations vary with altitude, the indicator must have a maximum allowable airspeed indicator showing the variation of V_{MO} with altitude.

(2) An altimeter (sensitive).

(3) A rate-of-climb indicator (vertical speed).

(4) A gyroscopic rate of turn indicator combined with an integral slip-skid indicator (turn-and-bank indicator) except that only a slip-skid indicator is required on aeroplanes with a third attitude instrument system usable through flight attitudes of 360° of pitch and roll, which is powered from a source independent of the electrical generating

CS-25 BOOK 1

system and continues reliable operation for a minimum of 30 minutes after total failure of the electrical generating system, and is installed in accordance with CS 25.1321 (a).

(5) A bank and pitch indicator (gyroscopically stabilised). (See AMC 25.1303 (b)(5).)

(6) A direction indicator (gyroscopically stabilised, magnetic or non-magnetic).

(c) The following flight and navigation instruments are required as prescribed in this paragraph:

(1) A speed warning device which must give effective aural warning (differing distinctively from aural warnings used for other purposes) to the pilots whenever the speed exceeds V_{MO} plus 11.1 km/h (6 knots) or $M_{MO} + 0.01$. The upper limit of the production tolerance for the warning device may not exceed the prescribed warning speed. (See AMC 25.1303 (c)(1).)

(2) A mach meter is required at each pilot station for aeroplanes with compressibility limitations not otherwise indicated to the pilot by the airspeed indicating system required under subparagraph (b)(1) of this paragraph.

CS 25.1305 Powerplant instruments

The following are required powerplant instruments:

(a) *For all aeroplanes*

(1) A fuel pressure warning means for each engine, or a master warning means for all engines with provision for isolating the individual warning means from the master warning means.

(2) Fuel indication system(s) which:

(i) Provide(s) to the flight crew a full-time display of the total quantity of usable fuel on board;

(ii) Is (are) capable of indicating to the flight crew the quantity of usable fuel in each tank in accordance with CS 25.1337(b);

(iii) Provide(s) fuel quantity and availability information to the flight crew, including alerts, to indicate any fuel system condition (e.g. misconfiguration or failure) that, if not corrected, would

result in no fuel being supplied to one or more engine(s). This includes:

(A) Abnormal fuel transfer between tanks;

(B) Trapped fuel;

(C) Fuel leaks including in the engines.

(iv) Provide(s) a low fuel level cockpit alert for any tank and/or collector cell that should not become depleted of fuel.

Each alert is such that:

(A) It is provided to the flight crew when the usable quantity of fuel in the tank concerned reaches the quantity required to operate the engine(s) for 30 minutes at cruise conditions;

(B) The alert and the fuel quantity indication for that tank are not adversely affected by the same single failure.

(3) An oil quantity indicator for each oil tank.

(4) An oil pressure indicator for each independent pressure oil system of each engine.

(5) An oil pressure warning means for each engine, or a master warning means for all engines with provision for isolating the individual warning means from the master warning means.

(6) An oil temperature indicator for each engine.

(7) Fire-warning devices that provide visual and audible warning.

(8) An augmentation liquid quantity indicator (appropriate for the manner in which the liquid is to be used in operation) for each tank.

(b) Reserved.

(c) For turbine engine-powered aeroplanes. In addition to the powerplant instruments required by subparagraph (a) of this paragraph, the following powerplant instruments are required:

(1) A gas temperature indicator for each engine.

(2) A fuel flow meter indicator for each engine.

CS-25 BOOK 1

(3) A tachometer (to indicate the speed of the rotors with established limiting speeds) for each engine.

(4) A means to indicate, to the flight crew, the operation of each engine starter that can be operated continuously but that is neither designed for continuous operation nor designed to prevent hazard if it failed.

(5) An indicator to indicate the functioning of the powerplant ice protection system for each engine.

(6) An indicator for the fuel strainer or filter required by CS 25.997 to indicate the occurrence of contamination of the strainer or filter before it reaches the capacity established in accordance with CS 25.997(d).

(7) A warning means for the oil strainer or filter required by CS 25.1019, if it has no bypass, to warn the pilot of the occurrence of contamination of the strainer or filter screen before it reaches the capacity established in accordance with CS 25.1019(a)(2).

(8) An indicator to indicate the proper functioning of any heater used to prevent ice clogging of fuel system components.

(d) *For turbo-jet engine-powered aeroplanes.* In addition to the powerplant instruments required by sub-paragraphs (a) and (c) of this paragraph, the following powerplant instruments are required:

(1) An indicator to indicate thrust, or a parameter that is directly related to thrust, to the pilot. The indication must be based on the direct measurement of thrust or of the parameters that are directly related to thrust. The indicator must indicate a change in thrust resulting from any engine malfunction, damage or deterioration. (See AMC 25.1305 (d)(1).)

(2) A position indicating means to indicate to the flight crew when the thrust reversing device –

(i) Is not in the selected position, and

(ii) Is in the reverse thrust position, for each engine using a thrust-reversing device.

(3) An indicator to indicate rotor system unbalance.

(e) *For turbo-propeller-powered aeroplanes.* In addition to the powerplant

instruments required by sub-paragraphs (a) and (c) of this paragraph, the following powerplant instruments are required:

(1) A torque indicator for each engine.

(2) Position indicating means to indicate to the flight crew when the propeller blade angle is below the flight low pitch position, for each propeller.

(3) Reserved

(f) For aeroplanes equipped with fluid systems (other than fuel) for thrust or power augmentation, an approved means must be provided to indicate the proper functioning of that system to the flight crew.

[Amdt. No.: 25/12]

CS 25.1307 Miscellaneous equipment

The following is required miscellaneous equipment:

(a) Reserved

(b) Two or more independent sources of electrical energy.

(c) Electrical protective devices, as prescribed in this CS-25.

(d) Two systems for two-way radio communications, with controls for each accessible from each pilot station, designed and installed so that failure of one system will not preclude operation of the other system. The use of a common antenna system is acceptable if adequate reliability is shown.

(e) Two systems for radio navigation, with controls for each accessible from each pilot station, designed and installed so that failure of one system will not preclude operation of the other system. The use of a common antenna system is acceptable if adequate reliability is shown.

CS 25.1309 Equipment, systems and installations

(See AMC 25.1309)

The requirements of this paragraph, except as identified below, are applicable, in addition to specific design requirements of CS-25, to any equipment or system as installed in the aeroplane. Although this paragraph does not apply to the performance and flight characteristic requirements of Subpart B and the structural requirements of Subparts C and D, it does apply to any system on which compliance

CS-25 BOOK 1

with any of those requirements is dependent. Certain single failures or jams covered by CS 25.671(c)(1) and CS 25.671(c)(3) are excepted from the requirements of CS 25.1309(b)(1)(ii). Certain single failures covered by CS 25.735(b) are excepted from the requirements of CS 25.1309(b). The failure effects covered by CS 25.810(a)(1)(v) and CS 25.812 are excepted from the requirements of CS 25.1309(b). The requirements of CS 25.1309(b) apply to powerplant installations as specified in CS 25.901(c).

(a) The aeroplane equipment and systems must be designed and installed so that:

(1) Those required for type certification or by operating rules, or whose improper functioning would reduce safety, perform as intended under the aeroplane operating and environmental conditions.

(2) Other equipment and systems are not a source of danger in themselves and do not adversely affect the proper functioning of those covered by sub-paragraph (a)(1) of this paragraph.

(b) The aeroplane systems and associated components, considered separately and in relation to other systems, must be designed so that -

(1) Any catastrophic failure condition

- (i) is extremely improbable; and
- (ii) does not result from a single failure; and

(2) Any hazardous failure condition is extremely remote; and

(3) Any major failure condition is remote.

(c) Information concerning unsafe system operating conditions must be provided to the crew to enable them to take appropriate corrective action. A warning indication must be provided if immediate corrective action is required. Systems and controls, including indications and annunciations must be designed to minimise crew errors, which could create additional hazards.

(d) Electrical wiring interconnection systems must be assessed in accordance with the requirements of CS 25.1709.

[Amdt. No.: 25/5]

[Amdt. No.: 25/6]

CS 25.1310 Power source capacity and distribution

(a) Each installation whose functioning is required for type certification or by operating rules and that requires a power supply is an "essential load" on the power supply. The power sources and the system must be able to supply the following power loads in probable operating combinations and for probable durations (see AMC 25.1310(a)):

(1) Loads connected to the system with the system functioning normally.

(2) Essential loads, after failure of any one prime mover, power converter, or energy storage device.

(3) Essential loads after failure of -

(i) Any one engine on two-engine aeroplanes; and

(ii) Any two engines on three-or-more engine aeroplanes.

(4) Essential loads for which an alternate source of power is required, after any failure or malfunction in any one-power supply system, distribution system, or other utilisation system.

(b) In determining compliance with sub-paragraphs (a)(2) and (3) of this paragraph, the power loads may be assumed to be reduced under a monitoring procedure consistent with safety in the kinds of operation authorised. Loads not required in controlled flight need not be considered for the two-engine-inoperative condition on aeroplanes with three or more engines.

CS 25.1315 Negative acceleration

No hazardous malfunction may occur as a result of the aeroplane being operated at the negative accelerations within the flight envelopes prescribed in CS 25.333. This must be shown for the greatest duration expected for the acceleration. (See also AMC 25.1315.)

CS 25.1316 System lightning protection

(a) For functions whose failure would contribute to or cause a condition that would prevent the continued safe flight and landing of the aeroplane, each electrical and electronic system that performs these functions must be designed and installed to ensure that the operation and operational capabilities of the

CS-25 BOOK 1

systems to perform these functions are not adversely affected when the aeroplane is exposed to lightning.

(b) For functions whose failure would contribute to or cause a condition that would reduce the capability of the aeroplane or the ability of the flight crew to cope with adverse operating conditions, each electrical and electronic system that performs these functions must be designed and installed to ensure that these functions can be recovered in a timely manner after the aeroplane is exposed to lightning.

(c) Compliance with the lightning protection criteria prescribed in sub-paragraphs (a) and (b) of this paragraph must be shown for exposure to a severe lightning environment. The aeroplane must be designed for and it must be verified that aircraft electrical/electronic systems are protected against the effects of lightning by:

(1) Determining the lightning strike zones for the aeroplane;

(2) Establishing the external lightning environment for the zones;

(3) Establishing the internal environment;

(4) Identifying all the electrical and electronic systems that are subject to the requirements of this paragraph, and their locations on or within the aeroplane;

(5) Establishing the susceptibility of the systems to the internal and external lightning environment;

(6) Designing protection; and

(7) Verifying that the protection is adequate.

INSTRUMENTS: INSTALLATION**CS 25.1321 Arrangement and visibility**

(a) Each flight, navigation, and powerplant instrument for use by any pilot must be plainly visible to him from his station with the minimum practicable deviation from his normal position and line of vision when he is looking forward along the flight path.

(b) The flight instruments required by CS 25.1303 must be grouped on the instrument panel and centred as nearly as practicable about the vertical plane of the pilot's forward vision. In addition –

(1) The instrument that most effectively indicates attitude must be on the panel in the top centre position;

(2) The instrument that most effectively indicates airspeed must be adjacent to and directly to the left of the instrument in the top centre position;

(3) The instrument that most effectively indicates altitude must be adjacent to and directly to the right of the instrument in the top centre position; and

(4) The instrument that most effectively indicates direction of flight must be adjacent to and directly below the instrument in the top centre position.

(c) Required powerplant instruments must be closely grouped on the instrument panel. In addition –

(1) The location of identical powerplant instruments for the engines must prevent confusion as to which engine each instrument relates; and

(2) Powerplant instruments vital to the safe operation of the aeroplane must be plainly visible to the appropriate crewmembers.

(d) Instrument panel vibration may not damage or impair the accuracy of any instrument.

(e) If a visual indicator is provided to indicate malfunction of an instrument, it must be effective under all probable cockpit lighting conditions.

CS 25.1322 Flight Crew Alerting
(See AMC 25.1322)

(a) Flight crew alerts must:

(1) provide the flight crew with the information needed to:

(i) identify non-normal operation or aeroplane system conditions, and

(ii) determine the appropriate actions, if any;

(2) be readily and easily detectable and intelligible by the flight crew under all foreseeable operating conditions, including conditions where multiple alerts are provided;

(3) be removed when the alerting condition no longer exists.

CS-25 BOOK 1

(b) Alerts must conform to the following prioritisation hierarchy based on the urgency of flight crew awareness and response:

(1) Warning: For conditions that require immediate flight crew awareness and immediate flight crew response.

(2) Caution: For conditions that require immediate flight crew awareness and subsequent flight crew response.

(3) Advisory: For conditions that require flight crew awareness and may require subsequent flight crew response.

(c) Warning and Caution alerts must:

(1) be prioritised within each category, when necessary;

(2) provide timely attention-getting cues through at least two different senses by a combination of aural, visual, or tactile indications;

(3) permit each occurrence of the attention-getting cues required by subparagraph (c)(2) to be acknowledged and suppressed, unless they are required to be continuous.

(d) The alert function must be designed to minimise the effects of false and nuisance alerts. In particular, it must be designed to:

(1) prevent the presentation of an alert when it is inappropriate or unnecessary;

(2) provide a means to suppress an attention-getting component of an alert caused by a failure of the alerting function that interferes with the flight crew's ability to safely operate the aeroplane. This means must not be readily available to the flight crew so that it could be operated inadvertently or by habitual reflexive action. When an alert is suppressed, there must be a clear and unmistakable annunciation to the flight crew that the alert has been suppressed.

(e) Visual alert indications must:

(1) conform to the following colour convention:

(i) Red for Warning alert indications.

(ii) Amber or yellow for Caution alert indications.

(iii) Any colour except red or green for Advisory alert indications.

(2) use visual coding techniques, together with other alerting function elements on the flight deck, to distinguish between Warning, Caution and Advisory alert indications, if they are presented on monochromatic displays that are incapable of conforming to the colour convention in paragraph (e)(1).

(f) Use of the colours red, amber and yellow on the flight deck for functions other than flight crew alerting must be limited and must not adversely affect flight crew alerting.

[Amdt. No.: 25/11]

CS 25.1323 Airspeed indicating system

For each airspeed indicating system, the following apply:

(a) Each airspeed indicating instrument must be approved and must be calibrated to indicate true airspeed (at sea-level with a standard atmosphere) with a minimum practicable instrument calibration error when the corresponding pitot and static pressures are applied.

(b) Each system must be calibrated to determine the system error (that is, the relation between IAS and CAS) in flight and during the accelerated take-off ground run. The ground run calibration must be determined –

(1) From 0.8 of the minimum value of V_1 , to the maximum value of V_2 , considering the approved ranges of altitude and weight; and

(2) With the wing-flaps and power settings corresponding to the values determined in the establishment of the take-off path under CS 25.111 assuming that the critical engine fails at the minimum value of V_1 .

(c) The airspeed error of the installation, excluding the airspeed indicator instrument calibration error, may not exceed 3% or five knots, whichever is greater, throughout the speed range, from –

(1) V_{MO} to $1.23 V_{SR1}$ with wing-flaps retracted; and

(2) $1.23 V_{SR0}$ to V_{FE} with wing-flaps in the landing position.

(d) From $1.23 V_{SR}$ to the speed at which stall warning begins, the IAS must change perceptibly with CAS and in the same sense, and at speeds below stall warning speed the IAS

CS-25 BOOK 1

must not change in an incorrect sense. (See AMC 25.1323 (d).)

(e) From V_{MO} to $V_{MO} + \frac{2}{3} (V_{DF} - V_{MO})$ the IAS must change perceptibly with CAS and in the same sense, and at higher speeds up to V_{DF} the IAS must not change in an incorrect sense. (See AMC 25.1323 (e))

(f) There must be no indication of air-speed that would cause undue difficulty to the pilot during the take-off between the initiation of rotation and the achievement of a steady climbing condition.

(g) The effects of airspeed indicating system lag may not introduce significant takeoff indicated airspeed bias, or significant errors in takeoff or accelerate-stop distances.

(h) Each system must be arranged, so far as practicable, to prevent malfunction or serious error due to the entry of moisture, dirt, or other substances. (See AMC 25.1323 (h).)

(i) Each system must have a heated pitot tube or an equivalent means of preventing malfunction due to icing. (See AMC to 25.1323 (i) and 25.1325(b).)

(j) Where duplicate airspeed indicators are required, their respective pitot tubes must be far enough apart to avoid damage to both tubes in a collision with a bird.

CS 25.1325 Static pressure systems

(a) Each instrument with static air case connections must be vented to the outside atmosphere through an appropriate piping system.

(b) Each static port must be designed and located in such manner that static pressure system performance is least affected by airflow variation, or by moisture or other foreign matter, and that the correlation between air pressure in the static pressure system and true ambient atmospheric static pressure is not changed when the aeroplane is exposed to the continuous and intermittent maximum icing conditions defined in Appendix C. (See AMC to 25.1323 (i) and 25.1325(b).)

(c) The design and installation of the static pressure system must be such that –

(1) Positive drainage of moisture is provided; chafing of the tubing and excessive distortion or restriction at bends in the tubing is avoided; and the materials used are

durable, suitable for the purpose intended, and protected against corrosion; and

(2) It is airtight except for the port into the atmosphere. A proof test must be conducted to demonstrate the integrity of the static pressure system in the following manner:

(i) *Unpressurised aeroplanes.*
Evacuate the static pressure system to a pressure differential of approximately 33.86 HPa, (1 inch of mercury) or to a reading on the altimeter, 305 m (1 000 ft) above the aeroplane elevation at the time of the test. Without additional pumping for a period of 1 minute, the loss of indicated altitude must not exceed 30 m (100 ft) on the altimeter.

(ii) *Pressurised aeroplanes.*
Evacuate the static pressure system until pressure differential equivalent to the maximum cabin pressure differential for which the aeroplane is type certificated is achieved. Without additional pumping for a period of 1 minute, the loss of indicated altitude must not exceed 2% of the equivalent altitude of the maximum cabin differential pressure or 30 m (100 ft), whichever is greater.

(d) Each pressure altimeter must be approved and must be calibrated to indicate pressure altitude in a standard atmosphere, with a minimum practicable calibration error when the corresponding static pressures are applied.

(e) Each system must be designed and installed so that the error in indicated pressure altitude, at sea-level, with a standard atmosphere, excluding instrument calibration error, does not result in an error of more than ± 9 m (± 30 ft) per 185 km/hr (100 knots) speed for the appropriate configuration in the speed range between $1.23 V_{SR0}$ with wing-flaps extended and $1.7 V_{SR1}$ with wing-flaps retracted. However, the error need not be less than ± 9 m (± 30 ft).

(f) If an altimeter system is fitted with a device that provides corrections to the altimeter indication, the device must be designed and installed in such manner that it can be bypassed when it malfunctions, unless an alternate altimeter system is provided. Each correction device must be fitted with a means for indicating the occurrence of reasonably probable malfunctions, including power failure, to the flight crew. The indicating means must be

CS-25 BOOK 1

effective for any cockpit lighting condition likely to occur.

(g) Except as provided in sub-paragraph (h) of this paragraph, if the static pressure system incorporates both a primary and an alternate static pressure source, the means for selecting one or the other source must be designed so that –

(1) When either source is selected, the other is blocked off; and

(2) Both sources cannot be blocked off simultaneously.

(h) For un-pressurised aeroplanes, sub-paragraph (g)(1) of this paragraph does not apply if it can be demonstrated that the static pressure system calibration, when either static pressure source is selected, is not changed by the other static pressure source being open or blocked.

CS 25.1326 Pitot heat indication systems

If a flight instrument pitot heating system is installed, an indication system must be provided to indicate to the flight crew when that pitot heating system is not operating. The indication system must comply with the following requirements:

(a) The indication provided must incorporate an amber light that is in clear view of a flight-crew member.

(b) The indication provided must be designed to alert the flight crew if either of the following conditions exist:

(1) The pitot heating system is switched 'off'.

(2) The pitot heating system is switched 'on' and any pitot tube heating element is inoperative.

CS 25.1327 Direction Indicator
(See AMC 25.1327)

(a) Each magnetic direction indicator must be installed so that its accuracy is not excessively affected by the aeroplane's vibration or magnetic fields.

(b) The magnetic direction indicator required by CS 25.1303(a)(3) may not have a deviation, after compensation, in normal level flight, greater than 10 degrees on any heading.

(c) Direction indicators required by CS 25.1303(b)(6) must have an accuracy adequate for the safe operation of the aeroplane.

CS 25.1329 Flight Guidance System
(See AMC Nos. 1 and 2 to CS 25.1329)

(a) Quick disengagement controls for the autopilot and autothrust functions must be provided for each pilot. The autopilot quick disengagement controls must be located on both control wheels (or equivalent). The autothrust quick disengagement controls must be located on the thrust control levers. Quick disengagement controls must be readily accessible to each pilot while operating the control wheel (or equivalent) and thrust control levers.

(b) The effects of a failure of the system to disengage the autopilot or autothrust functions when manually commanded by the pilot must be assessed in accordance with the specifications of CS 25.1309.

(c) Engagement or switching of the flight guidance system, a mode, or a sensor must not produce a transient response affecting the control or flight path of the aeroplane any greater than a minor transient.

(d) Under normal conditions, the disengagement of any automatic control functions of a flight guidance system must not produce a transient response affecting the control or flight path of the aeroplane any greater than a minor transient.

(e) Under rare-normal or non-normal conditions, the disengagement of any automatic control functions of a flight guidance system must not produce a transient response affecting the control or flight path of the aeroplane any greater than a significant transient.

(f) The function and direction of motion of each command reference control (e.g., heading select, vertical speed) must be readily apparent or plainly indicated on, or adjacent to, each control if necessary to prevent inappropriate use or confusion.

(g) Under any condition of flight appropriate to its use, the flight guidance system must not:

- produce unacceptable loads on the aeroplane (in accordance with CS 25.302), or
- create hazardous deviations in the flight path.

This applies to both fault-free operation and in the event of a malfunction, and assumes that the pilot begins corrective action within a reasonable period of time.

CS-25 BOOK 1

(h) When the flight guidance system is in use, a means must be provided to avoid excursions beyond an acceptable margin from the speed range of the normal flight envelope. If the aircraft experiences an excursion outside this range, the flight guidance system must not provide guidance or control to an unsafe speed.

(i) The flight guidance system functions, controls, indications, and alerts must be designed to minimise flight crew errors and confusion concerning the behaviour and operation of the flight guidance system. Means must be provided to indicate the current mode of operation, including any armed modes, transitions, and reversions. Selector switch position is not an acceptable means of indication. The controls and indications must be grouped and presented in a logical and consistent manner. The indications must be visible to each pilot under all expected lighting conditions.

(j) Following disengagement of the autopilot, a warning (visual and aural) must be provided to each pilot and be timely and distinct from all other cockpit warnings.

(k) Following disengagement of the autothrust function, a caution must be provided to each pilot.

(l) The autopilot must not create an unsafe condition when the flight crew applies an override force to the flight controls.

(m) During autothrust operation, it must be possible for the flight crew to move the thrust levers without requiring excessive force. The autothrust response to flight crew override must not create an unsafe condition.

[Amdt. No.: 25/4]

CS 25.1331 Instruments using a power supply

(a) For each instrument required by CS 25.1303 (b) that uses a power supply, the following apply:

(1) Each instrument must have a visual means integral with the instrument, to indicate when power adequate to sustain proper instrument performance is not being supplied. The power must be measured at or near the point where it enters the instruments. For electric instruments, the power is considered to be adequate when the voltage is within approved limits.

(2) Each instrument must, in the event of the failure of one power source, be

supplied by another power source. This may be accomplished automatically or by manual means. The failure of one power source must not affect the same instrument of both pilot stations.

(3) If an instrument presenting flight and/or navigation data receives information from sources external to that instrument and loss of that information would render the presented data unreliable, a clear and unambiguous visual warning must be given to the crew when such loss of information occurs that the presented data should not be relied upon. The indication must be incorporated in the instrument.

(b) As used in this paragraph, 'instrument' includes devices that are physically contained in one unit, and devices that are composed of two or more physically separate units or components connected together (such as a remote indicating gyroscopic direction indicator that includes a magnetic sensing element, a gyroscopic unit, an amplifier, and an indicator connected together).

CS 25.1333 Instrument systems

(a) For systems that operate the instruments required by CS 25.1303 (b), which are located at each pilot's station, means must be provided to connect the required instruments at the first pilot's station to operating systems, which are independent of the operating systems at other flight crew stations, or other equipment.

(b) Equipment, systems, and installations must be designed so that sufficient information is available to assure control of the aeroplane in airspeed, altitude, direction and attitude by one of the pilots without additional flight crew action after any single failure or combination of failures that is not assessed to be extremely improbable (see AMC 25.1333 (b)); and

(c) Additional instruments, systems, or equipment may not be connected to the operating systems for the instruments required by CS 25.1303 (b), unless provisions are made to ensure the continued normal functioning of the required instruments in the event of any malfunction of the additional instruments, systems, or equipment which is not shown to be extremely improbable.

CS 25.1337 Powerplant instruments

(a) Instruments and instrument lines

CS-25 BOOK 1

(1) Each powerplant instrument line must meet the requirements of CS 25.993 and CS 25.1183.

(2) Each line carrying flammable fluids under pressure must –

(i) Have restricting orifices or other safety devices at the source of pressure to prevent the escape of excessive fluid if the line fails; and

(ii) Be installed and located so that the escape of fluids would not create a hazard.

(3) Each powerplant instrument that utilises flammable fluids must be installed and located so that the escape of fluid would not create a hazard.

(b) *Fuel quantity indicator.* There must be means to indicate to the flight-crew members, the quantity, in litres, (gallons), or equivalent units, of usable fuel in each tank during flight. In addition –

(1) Each fuel quantity indicator must be calibrated to read 'zero' during level flight when the quantity of fuel remaining in the tank is equal to the unusable fuel supply determined under CS 25.959;

(2) Tanks with interconnected outlets and airspaces may be treated as one tank and need not have separate indicators; and

(3) Each exposed sight gauge, used as a fuel quantity indicator, must be protected against damage.

(c) *Fuel flow meter system.* If a fuel flow meter system is installed, each metering component must have a means for bypassing the fuel supply if malfunction of that component severely restricts fuel flow.

(d) *Oil quantity indicator.* There must be a stick gauge or equivalent means to indicate the quantity of oil in each tank. If an oil transfer or reserve oil supply system is installed, there must be a means to indicate to the flight crew, in flight, the quantity of oil in each tank.

(e) *Turbo-propeller blade position indicator.* Required turbo-propeller blade position indicators must begin indicating before the blade moves more than 8° below the flight low pitch stop. The source of indication must directly sense the blade position.

ELECTRICAL SYSTEMS AND EQUIPMENT

CS 25.1351 General

(a) *Electrical system capacity.* The required generating capacity, and number and kinds of power sources must –

(1) Be determined by an electrical load analysis; and

(2) Meet the requirements of CS 25.1309.

(b) *Generating system.* The generating system includes electrical power sources, main power busses, transmission cables, and associated control, regulation, and protective devices. It must be designed so that –

(1) Power sources function properly when independent and when connected in combination;

(2) No failure or malfunction of any power source can create a hazard or impair the ability of remaining sources to supply essential loads;

(3) The system voltage and frequency (as applicable) at the terminals of all essential load equipment can be maintained within the limits for which the equipment is designed, during any probable operating condition;

(4) System transients due to switching, fault clearing, or other causes do not make essential loads inoperative, and do not cause a smoke or fire hazard;

(5) There are means accessible where necessary, in flight, to appropriate crew members for the individual and rapid disconnection of each electrical power source (see AMC 25.1351(b)(5)); and

(6) There are means to indicate to appropriate crew members the generating system quantities essential for the safe operation of the system, such as the voltage and current supplied by each generator (see AMC 25.1351(b)(6)).

(c) *External power.* If provisions are made for connecting external power to the aeroplane, and that external power can be electrically connected to equipment other than that used for engine starting, means must be provided to ensure that no external power supply having a reverse polarity, a reverse phase sequence (including crossed phase and neutral), open circuit line, incorrect frequency or voltage, can

CS-25 BOOK 1

supply power to the aeroplane's electrical system.

(d) *Operation without normal electrical power.* (See AMC 25.1351 (d).) The following apply:

(1) Unless it can be shown that the loss of the normal electrical power generating system(s) is Extremely Improbable, alternate high integrity electrical power system(s), independent of the normal electrical power generating system(s), must be provided to power those services necessary to complete a flight and make a safe landing.

(2) The services to be powered must include –

(i) Those required for immediate safety and which must continue to operate following the loss of the normal electrical power generating system(s), without the need for flight crew action;

(ii) Those required for continued controlled flight; and

(iii) Those required for descent, approach and landing.

(3) Failures, including junction box, control panel or wire bundle fires, which would result in the loss of the normal and alternate systems must be shown to be Extremely Improbable.

CS 25.1353 Electrical equipment and installations

(a) Electrical equipment and controls must be installed so that operation of any one unit or system of units will not adversely affect the simultaneous operation of any other electrical unit or system essential to the safe operation. Any electrical interference likely to be present in the aeroplane must not result in hazardous effects upon the aeroplane or its systems except under extremely remote conditions. (See AMC 25.1353 (a).)

(b) Electrical Wiring Interconnection System components must meet the requirements of 25.1703, 25.1707, 25.1711 and 25.1717.

(c) Storage batteries must be designed and installed as follows:

(1) Safe cell temperatures and pressures must be maintained during any probable charging or discharging condition. No uncontrolled increase in cell temperature

may result when the battery is recharged (after previous complete discharge) –

(i) At maximum regulated voltage or power;

(ii) During a flight of maximum duration; and

(iii) Under the most adverse cooling condition likely to occur in service.

(2) Compliance with sub-paragraph (1) of this paragraph must be shown by test unless experience with similar batteries and installations has shown that maintaining safe cell temperatures and pressures presents no problem.

(3) No explosive or toxic gases emitted by any battery in normal operation, or as the result of any probable malfunction in the charging system or battery installation, may accumulate in hazardous quantities within the aeroplane.

(4) No corrosive fluids or gases that may escape from the battery may damage surrounding aeroplane structures or adjacent essential equipment.

(5) Each nickel cadmium battery installation must have provisions to prevent any hazardous effect on structure or essential systems that may be caused by the maximum amount of heat the battery can generate during a short circuit of the battery or of individual cells.

(6) Nickel cadmium battery installations must have –

(i) A system to control the charging rate of the battery automatically so as to prevent battery overheating or;

(ii) A battery temperature sensing and over-temperature warning system with a means for disconnecting the battery from its charging source in the event of an over-temperature condition; or

(iii) A battery failure sensing and warning system with a means for disconnecting the battery from its charging source in the event of battery failure. (See AMC 25.1353 (c)(6)(ii) and (iii).)

(d) Reserved.

CS-25 BOOK 1

(e) Electrical bonding must provide an adequate electrical return path under both normal and fault conditions, on aeroplanes having earthed electrical systems (see CS 25.899).

[Amdt. No.: 25/5]

CS 25.1355 Distribution system

(a) The distribution system includes the distribution busses, their associated feeders, and each control protective device.

(b) Reserved.

(c) If two independent sources of electrical power for particular equipment or systems are required for certification, or by operating rules, in the event of the failure of one power source for such equipment or system, another power source (including its separate feeder) must be automatically provided or be manually selectable to maintain equipment or system operation. (See AMC 25.1355 (c) and AMC 25.1310(a).)

CS 25.1357 Circuit protective devices

(a) Automatic protective devices must be used to minimise distress to the electrical system and hazard to the aeroplane in the event of wiring faults or serious malfunction of the system or connected equipment. (See AMC 25.1357 (a).)

(b) The protective and control devices in the generating system must be designed to de-energise and disconnect faulty power sources and power transmission equipment from their associated busses with sufficient rapidity to provide protection from hazardous over-voltage and other malfunctioning.

(c) Each re-settable circuit protective device must be designed so that, when an overload or circuit fault exists, it will open the circuit irrespective of the position of the operating control.

(d) If the ability to reset a circuit breaker or replace a fuse is essential to safety in flight, that circuit breaker or fuse must be located and identified so that it can be readily reset or replaced in flight. Where fuses are used, there must be spare fuses for use in-flight equal to at least 50% of the number of fuses of each rating required for complete circuit protection.

(e) Each circuit for essential loads must have individual circuit protection. However, individual protection for each circuit in an

essential load system (such as each position light circuit in a system) is not required.

(f) For aeroplane systems for which the ability to remove or reset power during normal operations is necessary, the system must be designed so that circuit breakers are not the primary means to remove or reset system power, unless specifically designed for use as a switch. (see AMC 25.1357(f)).

(g) Automatic reset circuit breakers may be used as integral protectors for electrical equipment (such as thermal cutouts) if there is circuit protection to protect the cable to the equipment.

[Amdt. No.: 25/5]

CS 25.1360 Precautions against injury

(a) *Shock*. The electrical system must be designed so as to minimise the risk of electric shock to crew, passengers and servicing personnel and also to maintenance personnel using normal precautions. (See AMC 25.1360 (a) and CS 25.899.)

(b) *Burns*. The temperature of any part, which has to be handled during normal operation by the flight crew, must not be such as to cause dangerous inadvertent movement, or injury to the crewmember. (See AMC 25.1360 (b).)

CS 25.1362 Electrical supplies for emergency conditions
(See AMC 25.1362)

A suitable supply must be provided to those services, which are required, in order that emergency procedures may be carried out, after an emergency landing or ditching. The circuits for these services must be so designed, protected and installed such that the risk of their causing a fire, under these conditions, is minimised.

CS 25.1363 Electrical system tests
(See AMC 25.1363)

(a) Tests must be made to determine that the performance of the electrical supply systems meets the requirements of this CS-25 under all the appropriate normal and failure conditions. When laboratory tests of the electrical system are conducted –

(1) The tests must be performed on a mock-up using the same generating equipment used in the aeroplane;

CS-25 BOOK 1

(2) The equipment must simulate the electrical characteristics of the distribution wiring and connected loads to the extent necessary for valid test results; and

(3) Laboratory generator drives must simulate the actual prime movers on the aeroplane with respect to their reaction to generator loading, including loading due to faults.

(b) For each flight condition that cannot be simulated adequately in the laboratory or by ground tests on the aeroplane, flight tests must be made.

CS 25.1365 Electrical appliances, motors and transformers
(See AMC 25.1365)

(a) Domestic appliances must be so designed and installed that in the event of failures of the electrical supply or control system, the requirements of CS 25.1309(b) and (c) will be satisfied.

(b) The installation of galleys and cooking appliances must be such as to minimise the risk of overheat or fire.

(c) Domestic appliances, particularly those in galley areas, must be so installed or protected as to prevent damage or contamination of other equipment or systems from fluids or vapours which may be present during normal operation or as a result of spillage, where such damage or contamination may hazard the aeroplane.

(d) Unless it can be shown that compliance with CS 25.1309(b) is provided by the circuit protective device required by CS 25.1357(a), electric motors and transformers etc. (including those installed in domestic systems, such as galleys and toilet flush systems) must be provided with a suitable thermal protection device if necessary to prevent them overheating such as to create a smoke or fire hazard under normal operation and failure conditions.

[Amdt. No.: 25/2]

LIGHTS

CS 25.1381 Instrument lights

(a) The instrument lights must –

(1) Provide sufficient illumination to make each instrument, switch and other

device necessary for safe operation easily readable unless sufficient illumination is available from another source; and

(2) Be installed so that –

(i) Their direct rays are shielded from the pilot's eyes; and

(ii) No objectionable reflections are visible to the pilot.

(b) Unless undimmed instrument lights are satisfactory under each expected flight condition, there must be a means to control the intensity of illumination.

CS 25.1383 Landing lights

(a) Each landing light must be approved, and must be installed so that –

(1) No objectionable glare is visible to the pilot;

(2) The pilot is not adversely affected by halation; and

(3) It provides enough light for night landing.

(b) Except when one switch is used for the lights of a multiple light installation at one location, there must be a separate switch for each light.

(c) There must be a means to indicate to the pilots when the landing lights are extended.

CS 25.1385 Position light system installation

(a) *General.* Each part of each position light system must meet the applicable requirements of this paragraph and each system as a whole must meet the requirements of CS 25.1387 to 25.1397.

(b) *Forward position lights.* Forward position lights must consist of a red and a green light spaced laterally as far apart as practicable and installed forward on the aeroplane so that, with the aeroplane in the normal flying position, the red light is on the left side, and the green light is on the right side. Each light must be approved.

(c) *Rear position light.* The rear position light must be a white light mounted as far aft as practicable on the tail or on each wing tip, and must be approved.

(d) *Light covers and colour filters.* Each light cover or colour filter must be at least flame

CS-25 BOOK 1

resistant and may not change colour or shape or lose any appreciable light transmission during normal use.

CS 25.1387 Position light system dihedral angles

(a) Except as provided in sub-paragraph (e) of this paragraph, each forward and rear position light must, as installed, show unbroken light within the dihedral angles described in this paragraph.

(b) Dihedral angle L (left) is formed by two intersecting vertical planes, the first parallel to the longitudinal axis of the aeroplane, and the other at 110° to the left of the first, as viewed when looking forward along the longitudinal axis.

(c) Dihedral angle R (right) is formed by two intersecting vertical planes, the first parallel to the longitudinal axis of the aeroplane, and the other at 110° to the right of the first, as viewed when looking forward along the longitudinal axis.

(d) Dihedral angle A (aft) is formed by two intersecting vertical planes making angles of 70° to the right and to the left, respectively, to a vertical plane passing through the longitudinal axis, as viewed when looking aft along the longitudinal axis.

(e) If the rear position light when mounted as far aft as practicable in accordance with CS 25.1385 (c), cannot show unbroken light within dihedral angle A (as defined in sub-paragraph (d) of this paragraph), a solid angle or angles of obstructed visibility totalling not more than 0.04 steradians is allowable within that dihedral angle, if such solid angle is within a cone whose apex is at the rear position light and whose elements make an angle of 30° with a vertical line passing through the rear position light.

CS 25.1389 Position light distribution and intensities

(a) *General.* The intensities prescribed in this paragraph must be provided by new equipment with light covers and colour filters in place. Intensities must be determined with the light source operating at a steady value equal to the average luminous output of the source at the normal operating voltage of the aeroplane. The light distribution and intensity of each position light must meet the requirements of subparagraph (b) of this paragraph.

(b) *Forward and rear position lights.* The light distribution and intensities of forward and rear position lights must be expressed in terms

of minimum intensities in the horizontal plane, minimum intensities in any vertical plane, and maximum intensities in overlapping beams, within dihedral angles L, R and A, and must meet the following requirements:

(1) *Intensities in the horizontal plane.*

Each intensity in the horizontal plane (the plane containing the longitudinal axis of the aeroplane and perpendicular to the plane of symmetry of the aeroplane) must equal or exceed the values in CS 25.1391.

(2) *Intensities in any vertical plane.*

Each intensity in any vertical plane (the plane perpendicular to the horizontal plane) must equal or exceed the appropriate value in CS 25.1393, where I is the minimum intensity prescribed in CS 25.1391 for the corresponding angles in the horizontal plane.

(3) *Intensities in overlaps between adjacent signals.* No intensity in any overlap between adjacent signals may exceed the values given in CS 25.1395, except that higher intensities in overlaps may be used with main beam intensities substantially greater than the minima specified in CS 25.1391 and 25.1393 if the overlap intensities in relation to the main beam intensities do not adversely affect signal clarity. When the peak intensity of the forward position lights is more than 102 cd (100 candles), the maximum overlap intensities between them may exceed the values given in CS 25.1395 if the overlap intensity in Area A is not more than 10% of peak position light intensity and the overlap intensity in Area B is not greater than 2.5% of peak position light intensity.

CS 25.1391 Minimum intensities in the horizontal plane of forward and rear position lights

Each position light intensity must equal or exceed the applicable values in the following table:

Dihedral angle (light included)	Angle from right or left of longitudinal axis, measured from dead ahead	Intensity candela (candles)
L and R (forward red and green)	0° to 10° 10° to 20° 20° to 110°	41 (40) 31 (30) 5
A (rear white)	110° to 180°	20

CS-25 BOOK 1

CS 25.1393 Minimum intensities in any vertical plane of forward and rear position lights

Each position light intensity must equal or exceed the applicable values in the following table:

Angle above or below the horizontal plane:	Intensity
0°	1.00 I
0° to 5°	0.90 I
5° to 10°	0.80 I
10° to 15°	0.70 I
15° to 20°	0.50 I
20° to 30°	0.30 I
30° to 40°	0.10 I
40° to 90°	0.05 I

CS 25.1395 Maximum intensities in over-lapping beams of forward and rear position lights

No position light intensity may exceed the applicable values in the following table, except as provided in CS 25.1389 (b)(3):

Overlaps	Maximum intensity	
	Area A candela (candles)	Area B candela (candles)
Green in dihedral angle L	10	1
Red in dihedral angle R	10	1
Green in dihedral angle A	5	1
Red in dihedral angle A	5	1
Rear white in dihedral angle L	5	1
Rear white in dihedral angle R	5	1

Where –

(a) Area A includes all directions in the adjacent dihedral angle that pass through the light source and intersect the common boundary plane at more than 10° but less than 20°; and

(b) Area B includes all directions in the adjacent dihedral angle that pass through the light source and intersect the common boundary plane at more than 20°.

CS 25.1397 Colour specifications

Each position light colour must have the applicable International Commission on Illumination chromaticity co-ordinates as follows:

(a) Aviation red –

'y' is not greater than 0.335; and
'z' is not greater than 0.002.

(b) Aviation green –

'x' is not greater than 0.440–0.320y;
'x' is not greater than y–0.170; and
'y' is not less than 0.390–0.170x.

(c) Aviation white –

'x' is not less than 0.300 and not greater than 0.540;

'y' is not less than 'x–0.040' or 'y₀–0.010', whichever is the smaller; and

'y' is not greater than 'x+0.020' nor '0.636–0.400x';

Where 'y₀' is the 'y' co-ordinate of the Planckian radiator for the value of 'x' considered.

CS 25.1401 Anti-collision light system

(a) *General.* The aeroplane must have an anti-collision light system that –

(1) Consists of one or more approved anti-collision lights located so that their light will not impair the crew's vision or detract from the conspicuity of the position lights; and

(2) Meets the requirements of subparagraphs (b) to (f) of this paragraph.

(b) *Field of coverage.* The system must consist of enough light to illuminate the vital areas around the aeroplane considering the physical configuration and flight characteristics of the aeroplane. The field of coverage must extend in each direction within at least 75° above and 75° below the horizontal plane of the aeroplane, except that a solid angle or angles of obstructed visibility totalling not more than 0.03 steradians is allowable within a solid angle equal to 0.15 steradians centred about the longitudinal axis in the rearward direction.

(c) *Flashing characteristics.* The arrangement of the system, that is, the number of light sources, beam width, speed of rotation, and other characteristics, must give an effective flash frequency of not less than 40, nor more than 100 cycles per minute. The effective flash frequency is the frequency at which the aeroplane's complete anti-collision light system is observed from a distance, and applies to each section of light including any overlaps that exist when the system consists of more than one light source. In overlaps, flash frequencies may exceed 100, but not 180 cycles per minute.

CS-25 BOOK 1

(d) *Colour*. Each anti-collision light must be either aviation red or aviation white and must meet the applicable requirements of CS 25.1397.

(e) *Light intensity*. The minimum light intensities in all vertical planes, measured with the red filter (if used) and expressed in terms of 'effective' intensities, must meet the requirements of sub-paragraph (f) of this paragraph. The following relation must be assumed:

$$I_e = \frac{\int_{t_1}^{t_2} I(t) dt}{0.2 + (t_2 - t_1)};$$

where:

I_e = effective intensity (candela (candles))

$I(t)$ = instantaneous intensity as a function of time

$t_2 - t_1$ = flash time interval (seconds)

Normally, the maximum value of effective intensity is obtained when t_2 and t_1 are chosen so that the effective intensity is equal to the instantaneous intensity at t_2 and t_1 .

(f) *Minimum effective intensities for anti-collision lights*. Each anti-collision light effective intensity must equal or exceed the applicable values in the following table:

Angle above or below the horizontal plane:	Effective intensity (candela (candles))
0° to 5°	407 (400)
5° to 10°	244 (240)
10° to 20°	81 (80)
20° to 30°	41 (40)
30° to 75°	20

CS 25.1403 Wing icing detection lights

Unless operations at night in known or forecast icing conditions are prohibited by an operating limitation, a means must be provided for illuminating or otherwise determining the formation of ice on the parts of the wings that are critical from the standpoint of ice accumulation. Any illumination that is used must be of a type that will not cause glare or reflection that would handicap crewmembers in the performance of their duties.

SAFETY EQUIPMENT

CS 25.1411 General

(a) *Accessibility*. Required safety equipment to be used by the crew in an emergency must be readily accessible.

(b) *Stowage provisions*. Stowage provisions for required emergency equipment must be furnished and must –

(1) Be arranged so that the equipment is directly accessible and its location is obvious; and

(2) Protect the safety equipment from inadvertent damage.

(c) *Emergency exit descent device*. The stowage provisions for the emergency exit descent device required by CS 25.810(a) must be at the exits for which they are intended.

(d) *Liferafts*

(1) The stowage provisions for the liferafts described in CS 25.1415 must accommodate enough rafts for the maximum number of occupants for which certification for ditching is requested.

(2) Life rafts must be stowed near exits through which the rafts can be launched during an unplanned ditching.

(3) Rafts automatically or remotely released outside the aeroplane must be attached to the aeroplane by means of the static line prescribed in CS 25.1415.

(4) The stowage provisions for each portable life raft must allow rapid detachment and removal of the raft for use at other than the intended exits.

(e) *Long-range signalling device*. The stowage provisions for the long-range signalling device required by CS 25.1415 must be near an exit available during an unplanned ditching.

(f) *Life-preserver stowage provisions*. The stowage provisions for life preservers described in CS 25.1415 must accommodate one life preserver for each occupant for which certification for ditching is requested. Each life preserver must be within easy reach of each seated occupant.

(g) *Life line stowage provisions*. If certification for ditching under CS 25.801 is requested, there must be provisions to store the lifelines. These provisions must –

CS-25 BOOK 1

(1) Allow one life line to be attached to each side of the fuselage; and

(2) Be arranged to allow the lifelines to be used to enable the occupants to stay on the wing after ditching. This requirement is not applicable to aeroplanes having no over-wing ditching exits.

[Amdt. No.: 25/5]

CS 25.1415 Ditching equipment

(a) Ditching equipment used in aeroplanes to be certified for ditching under CS 25.801, and required by the Operating Rules, must meet the requirements of this paragraph.

(b) Each liferaft and each life preserver must be approved. In addition –

(1) Unless excess rafts of enough capacity are provided, the buoyancy and seating capacity beyond the rated capacity of the rafts must accommodate all occupants of the aeroplane in the event of a loss of one raft of the largest rated capacity; and

(2) Each raft must have a trailing line, and must have a static line designed to hold the raft near the aeroplane but to release it if the aeroplane becomes totally submerged.

(c) Approved survival equipment must be attached to, or stored adjacent to, each liferaft.

(d) There must be an approved survival type emergency locator transmitter for use in one life raft.

(e) For aeroplanes, not certificated for ditching under CS 25.801 and not having approved life preservers, there must be an approved flotation means for each occupant. This means must be within easy reach of each seated occupant and must be readily removable from the aeroplane.

CS 25.1419 Ice Protection

(See AMC 25.1419)

If the applicant seeks certification for flight in icing conditions, the aeroplane must be able to safely operate in the continuous maximum and intermittent maximum icing conditions of Appendix C. To establish this –

(a) An analysis must be performed to establish that the ice protection for the various components of the aeroplane is adequate, taking into account the various aeroplane operational configurations; and

(b) To verify the ice protection analysis, to check for icing anomalies, and to demonstrate that the ice protection system and its components are effective, the aeroplane or its components must be flight tested in the various operational configurations, in measured natural atmospheric icing conditions, and as found necessary, by one or more of the following means:

(1) Laboratory dry air or simulated icing tests, or a combination of both, of the components or models of the components.

(2) Flight dry air tests of the ice protection system as a whole, or of its individual components.

(3) Flight tests of the aeroplane or its components in measured simulated icing conditions.

(c) Caution information, such as an amber caution light or equivalent, must be provided to alert the flight crew when the anti-ice or de-ice system is not functioning normally.

(d) For turbine engine powered aeroplanes, the ice protection provisions of this paragraph are considered to be applicable primarily to the airframe. For the powerplant installation, certain additional provisions of Subpart E may be found applicable.

(e) One of the following methods of icing detection and activation of the airframe ice protection system must be provided:

(1) A primary ice detection system that automatically activates or alerts the flight crew to activate the airframe ice protection system; or

(2) A definition of visual cues for recognition of the first sign of ice accretion on a specified surface combined with an advisory ice detection system that alerts the flight crew to activate the airframe ice protection system; or

(3) Identification of conditions conducive to airframe icing as defined by an appropriate static or total air temperature and visible moisture for use by the flight crew to activate the airframe ice protection system.

(f) Unless the applicant shows that the airframe ice protection system need not be operated during specific phases of flight, the requirements of paragraph (e) of this section are applicable to all phases of flight.

(g) After the initial activation of the airframe ice protection system:

CS–25 BOOK 1

(1) The ice protection system must be designed to operate continuously; or

(2) The aeroplane must be equipped with a system that automatically cycles the ice protection system; or

(3) An ice detection system must be provided to alert the flight crew each time the ice protection system must be cycled.

(h) Procedures for operation of the ice protection system, including activation and deactivation, must be established and documented in the Aeroplane Flight Manual.

[Amdt. No.: 25/3]

[Amdt. No.: 25/7]

CS 25.1421 Megaphones

If a megaphone is installed, a restraining means must be provided that is capable of restraining the megaphone when it is subjected to the ultimate inertia forces specified in CS 25.561 (b)(3).

CS 25.1423 Public address system

A public address system required by operational rules must –

(a) Be powerable when the aircraft is in flight or stopped on the ground, after the shutdown or failure of all engines and auxiliary power units, or the disconnection or failure of all power sources dependent on their continued operation, for –

(1) A time duration of at least 10 minutes, including an aggregate time duration of at least 5 minutes of announcements made by flight and cabin crew members, considering all other loads which may remain powered by the same source when all other power sources are inoperative; and

(2) An additional time duration in its standby state appropriate or required for any other loads that are powered by the same source and that are essential to safety of flight or required during emergency conditions.

(b) The system must be capable of operation within 3 seconds from the time a microphone is removed from its stowage by a cabin crew member at those stations in the passenger compartment from which its use is accessible.

(c) Be intelligible at all passenger seats, lavatories, and cabin crew member seats and work stations.

(d) Be designed so that no unused, unstowed microphone will render the system inoperative.

(e) Be capable of functioning independently of any required crewmember interphone system.

(f) Be accessible for immediate use from each of two flight-crew member stations in the pilot compartment.

(g) For each required floor-level passenger emergency exit which has an adjacent cabin crew member seat, have a microphone which is readily accessible to the seated cabin crew member, except that one microphone may serve more than one exit, provided the proximity of the exits allows unassisted verbal communications between seated cabin crew members.

[Amdt. No.: 25/2]

MISCELLANEOUS EQUIPMENT**CS 25.1431 Electronic equipment**

(a) In showing compliance with CS 25.1309 (a) and (b) with respect to radio and electronic equipment and their installations, critical environmental conditions must be considered

(b) Radio and electronic equipment must be supplied with power under the requirements of CS 25.1355 (c).

(c) Radio and electronic equipment, controls and wiring must be installed so that operation of any one unit or system of units will not adversely affect the simultaneous operation of any other radio or electronic unit, or system of units, required by this CS–25.

(d) Electronic equipment must be designed and installed such that it does not cause essential loads to become inoperative, as a result of electrical power supply transients or transients from other causes.

CS 25.1433 Vacuum systems

There must be means, in addition to the normal pressure relief, to automatically relieve the pressure in the discharge lines from the vacuum air pump when the delivery temperature of the air becomes unsafe.

CS-25 BOOK 1

CS 25.1435 Hydraulic Systems
(See AMC 25.1435)

(a) *Element design.* Each element of the hydraulic system must be designed to:

(1) Withstand the proof pressure without permanent deformation that would prevent it from performing its intended function, and the ultimate pressure without rupture. The proof and ultimate pressures are defined in terms of the design operating pressure (DOP) as follows:

Element	Proof (x DOP)	Ultimate (x DOP)
1. Tubes and fittings	1.5	3.0
2. Pressure vessels containing gas		
High pressure (e.g. accumulators)	3.0	4.0
Low pressure (e.g. reservoirs)	1.5	3.0
3. Hoses	2.0	4.0
4. All other elements	1.5	2.0

(2) Withstand, without deformation that would prevent it from performing its intended function, the design operating pressure in combination with limit structural loads that may be imposed;

(3) Withstand, without rupture, the design operating pressure multiplied by a factor of 1.5 in combination with ultimate structural loads that can reasonably occur simultaneously;

(4) Withstand the fatigue effects of all cyclic pressures, including transients, and associated externally induced loads, taking into account the consequences of element failure; and

(5) Perform as intended under all environmental conditions for which the aeroplane is certificated.

(b) *System design.* Each hydraulic system must:

(1) Have means located at a flight crew member station to indicate appropriate system parameters, if

(i) It performs a function necessary for continued safe flight and landing; or

(ii) In the event of hydraulic system malfunction, corrective action by the crew to ensure continued safe flight and landing is necessary;

(2) Have means to ensure that system pressures, including transient pressures and pressures from fluid volumetric changes in elements that are likely to remain closed long enough for such changes to occur, are within the design capabilities of each element, such that they meet the requirements defined in CS 25.1435(a)(1) through CS 25.1435(a)(5) inclusive;

(3) Have means to minimise the release of harmful or hazardous concentrations of hydraulic fluid or vapours into the crew and passenger compartments during flight;

(4) Meet the applicable requirements of CS 25.863, 25.1183, 25.1185 and 25.1189 if a flammable hydraulic fluid is used; and

(5) Be designed to use any suitable hydraulic fluid specified by the aeroplane manufacturer, which must be identified by appropriate markings as required by CS 25.1541.

(c) *Tests.* Tests must be conducted on the hydraulic system(s), and/or subsystem(s) and element(s), except that analysis may be used in place of or to supplement testing where the analysis is shown to be reliable and appropriate. All internal and external influences must be taken into account to an extent necessary to evaluate their effects, and to assure reliable system and element functioning and integration. Failure or unacceptable deficiency of an element or system must be corrected and be sufficiently retested, where necessary.

(1) The system(s), subsystem(s), or element(s) must be subjected to performance, fatigue, and endurance tests representative of aeroplane ground and flight operations.

(2) The complete system must be tested to determine proper functional performance and relation to other systems, including simulation of relevant failure conditions, and to support or validate element design.

(3) The complete hydraulic system(s) must be functionally tested on the aeroplane in normal operation over the range of motion of all associated user systems. The test must be conducted at the relief pressure or

CS-25 BOOK 1

1.25 times the DOP if a system pressure relief device is not part of the system design. Clearances between hydraulic system elements and other systems or structural elements must remain adequate and there must be no detrimental effects.

[Amdt. No.: 25/2]

CS 25.1436 Pneumatic systems – high pressure

(a) *General.* Pneumatic systems which are powered by, and/or used for distributing or storing, air or nitrogen, must comply with the requirements of this paragraph.

(1) Compliance with CS 25.1309 for pneumatic systems must be shown by functional tests, endurance tests and analysis. Any part of a pneumatic system which is an engine accessory must comply with the relevant requirements of CS 25.1163.

(2) No element of the pneumatic system which would be liable to cause hazardous effects by exploding, if subject to a fire, may be mounted within an engine bay or other designated fire zone, or in the same compartment as a combustion heater.

(3) When the system is operating no hazardous blockage due to freezing must occur. If such blockage is liable to occur when the aeroplane is stationary on the ground, a pressure relieving device must be installed adjacent to each pressure source.

(b) *Design.* Each pneumatic system must be designed as follows:

(1) Each element of the pneumatic system must be designed to withstand the loads due to the working pressure, P_w , in the case of elements other than pressure vessels or to the limit pressure, P_L , in the case of pressure vessels, in combination with limit structural loads which may be imposed without deformation that would prevent it from performing its intended function, and to withstand without rupture, the working or limit pressure loads multiplied by a factor of 1.5 in combination with ultimate structural loads that can reasonably occur simultaneously.

(i) P_w . The working pressure is the maximum steady pressure in service acting on the element including the tolerances and possible pressure variations in normal operating modes but excluding transient pressures.

(ii) P_L . The limit pressure is the anticipated maximum pressure in service acting on a pressure vessel, including the tolerances and possible pressure variations in normal operating modes but excluding transient pressures.

(2) A means to indicate system pressure located at a flight-crew member station, must be provided for each pneumatic system that –

(i) Performs a function that is essential for continued safe flight and landing; or

(ii) In the event of pneumatic system malfunction, requires corrective action by the crew to ensure continued safe flight and landing.

(3) There must be means to ensure that system pressures, including transient pressures and pressures from gas volumetric changes in components which are likely to remain closed long enough for such changes to occur –

(i) Will be within 90 to 110% of pump average discharge pressure at each pump outlet or at the outlet of the pump transient pressure dampening device, if provided; and

(ii) Except as provided in sub-paragraph (b)(6) of this paragraph, will not exceed 125% of the design operating pressure, excluding pressure at the outlets specified in sub-paragraph (b)(3)(i) of this paragraph. Design operating pressure is the maximum steady operating pressure.

The means used must be effective in preventing excessive pressures being generated during ground charging of the system. (See AMC 25.1436 (b)(3).)

(4) Each pneumatic element must be installed and supported to prevent excessive vibration, abrasion, corrosion, and mechanical damage, and to withstand inertia loads.

(5) Means for providing flexibility must be used to connect points in a pneumatic line between which relative motion or differential vibration exists.

(6) Transient pressure in a part of the system may exceed the limit specified in sub-paragraph (b)(3)(ii) of this paragraph if –

CS-25 BOOK 1

(i) A survey of those transient pressures is conducted to determine their magnitude and frequency; and

(ii) Based on the survey, the fatigue strength of that part of the system is substantiated by analysis or tests, or both.

(7) The elements of the system must be able to withstand the loads due to the pressure given in Appendix L, for the proof condition without leakage or permanent distortion and for the ultimate condition without rupture. Temperature must be those corresponding to normal operating conditions. Where elements are constructed from materials other than aluminium alloy, tungum, or medium-strength steel, the Authority may prescribe or agree other factors. The materials used should in all cases be resistant to deterioration arising from the environmental conditions of the installation, particularly the effects of vibration.

(8) Where any part of the system is subject to fluctuating or repeated external or internal loads, adequate allowance must be made for fatigue.

(c) Tests

(1) A complete pneumatic system must be static tested to show that it can withstand a pressure of 1.5 times the working pressure without a deformation of any part of the system that would prevent it from performing its intended function. Clearance between structural members and pneumatic system elements must be adequate and there must be no permanent detrimental deformation. For the purpose of this test, the pressure relief valve may be made inoperable to permit application of the required pressure.

(2) The entire system or appropriate sub-systems must be tested in an aeroplane or in a mock-up installation to determine proper performance and proper relation to other aeroplane systems. The functional tests must include simulation of pneumatic system failure conditions. The tests must account for flight loads, ground loads, and pneumatic system working, limit and transient pressures expected during normal operation, but need not account for vibration loads or for loads due to temperature effects. Endurance tests must simulate the repeated complete flights that could be expected to occur in service. Elements which fail during the tests must be modified in order to have the design

deficiency corrected and, where necessary, must be sufficiently retested. Simulation of operating and environmental conditions must be completed on elements and appropriate portions of the pneumatic system to the extent necessary to evaluate the environmental effects. (See AMC 25.1436 (c)(2).)

(3) Parts, the failure of which will significantly lower the airworthiness or safe handling of the aeroplane must be proved by suitable testing, taking into account the most critical combination of pressures and temperatures which are applicable.

[Amdt. No.: 25/1]

CS 25.1438 Pressurisation and low pressure pneumatic systems

Pneumatic systems (ducting and components) served by bleed air, such as engine bleed air, air conditioning, pressurisation, engine starting and hot-air ice-protection systems, which are essential for the safe operation of the aeroplane or whose failure may adversely affect any essential or critical part of the aeroplane or the safety of the occupants, must be so designed and installed as to comply the CS 25.1309 In particular account must be taken of bursting or excessive leakage. (See AMC 25.1438 paragraph 1 for strength and AMC 25.1438 paragraph 2 for testing.)

CS 25.1439 Protective breathing equipment

(a) Fixed (stationary, or built in) protective breathing equipment must be installed for the use of the flight crew, and at least one portable protective breathing equipment shall be located at or near the flight deck for use by a flight crew member. In addition, portable protective breathing equipment must be installed for the use of appropriate crew members for fighting fires in compartments accessible in flight other than the flight deck. This includes isolated compartments and upper and lower lobe galleys, in which crew member occupancy is permitted during flight. Equipment must be installed for the maximum number of crew members expected to be in the area during any operation.

(b) For protective breathing equipment required by sub-paragraph (a) of this paragraph or by the applicable Operating Regulations, the following apply:

CS-25 BOOK 1

(1) The equipment must be designed to protect the appropriate crewmember from smoke, carbon dioxide, and other harmful gases while on flight deck duty or while combating fires.

(2) The equipment must include –

(i) Masks covering the eyes, nose and mouth, or

(ii) Masks covering the nose and mouth, plus accessory equipment to cover the eyes.

(3) Equipment, including portable equipment, must allow communication with other crewmembers while in use. Equipment available at flight crew assigned duty stations must enable the flight crew to use radio equipment.

(4) The part of the equipment protecting the eyes must not cause any appreciable adverse effect on vision and must allow corrective glasses to be worn.

(5) The equipment must supply protective oxygen of 15 minutes duration per crewmember at a pressure altitude of 2438 m (8000 ft) with a respiratory minute volume of 30 litres per minute BTPD. The equipment and system must be designed to prevent any inward leakage to the inside of the device and prevent any outward leakage causing significant increase in the oxygen content of the local ambient atmosphere. If a demand oxygen system is used, a supply of 300 litres of free oxygen at 21°C (70°F) and 760 mm Hg pressure is considered to be of 15-minute duration at the prescribed altitude and minute volume. If a continuous flow open circuit protective breathing system is used a flow rate of 60 litres per minute at 2438 m (8 000 ft) (45 litres per minute at sea level) and a supply of 600 litres of free oxygen at 21°C (70°F) and 204 kPa (760 mm Hg) pressure is considered to be of 15-minute duration at the prescribed altitude and minute volume. Continuous flow systems must not increase the ambient oxygen content of the local atmosphere above that of demand systems. BTPD refers to body temperature conditions, that is 37°C (99°F), at ambient pressure, dry.

(6) The equipment must meet the requirements of CS 25.1441.

[Amdt. No.: 25/4]

CS 25.1441 Oxygen equipment and supply

(a) If certification with supplemental oxygen equipment is requested, the equipment must meet the requirements of this paragraph and CS 25.1443 through 25.1453.

(b) The oxygen system must be free from hazards in itself, in its method of operation, and in its effect upon other components.

(c) There must be a means to allow the crew to readily determine, during flight, the quantity of oxygen available in each source of supply.

(d) The oxygen flow rate and the oxygen equipment for aeroplanes for which certification for operation above 12192 m (40 000 ft) is requested must be approved. (See AMC 25.1441(d).)

CS 25.1443 Minimum mass flow of supplemental oxygen

(a) If continuous flow equipment is installed for use by flight-crew members, the minimum mass flow of supplemental oxygen required for each crew member may not be less than the flow required to maintain, during inspiration, a mean tracheal oxygen partial pressure of 149 mmHg when breathing 15 litres per minute, BTPS, and with a maximum tidal volume of 700 cm³ with a constant time interval between respirations.

(b) If demand equipment is installed for use by flight-crew members, the minimum mass flow of supplemental oxygen required for each crew member may not be less than the flow required to maintain, during inspiration, a mean tracheal oxygen partial pressure of 122 mmHg, up to and including a cabin pressure altitude of 10668 m (35 000 ft), and 95% oxygen between cabin pressure altitudes of 10668 m (35 000) and 12192 m (40 000 ft), when breathing 20 litres per minute BTPS. In addition, there must be means to allow the crew to use undiluted oxygen at their discretion.

(c) For passengers and cabin crew members, the minimum mass flow of supplemental oxygen required for each person at various cabin pressure altitudes may not be less than the flow required to maintain, during inspiration and while using the oxygen equipment (including masks) provided, the following mean tracheal oxygen partial pressures:

CS-25 BOOK 1

(1) At cabin pressure altitudes above 3048 m (10 000 ft) up to and including 5639 m (18,500 ft), a mean tracheal oxygen partial pressure of 100 mmHg when breathing 15 litres per minute, BTPS, and with a tidal volume of 700 cm³ with a constant time interval between respirations.

(2) At cabin pressure altitudes above 5639 m (18 500 ft) up to and including 12192 m (40,000 ft), a mean tracheal oxygen partial pressure of 83.8 mmHg when breathing 30 litres per minute, BTPS, and with a tidal volume of 1100 cm³ with a constant time interval between respirations.

(d) If first-aid oxygen equipment is installed, the minimum mass flow of oxygen to each user may not be less than 4 litres per minute, STPD. However, there may be a means to decrease this flow to not less than 2 litres per minute, STPD, at any cabin altitude. The quantity of oxygen required is based upon an average flow rate of 3 litres per minute per person for whom first-aid oxygen is required.

(e) If portable oxygen equipment is installed for use by crew members, the minimum mass flow of supplemental oxygen is the same as specified in sub-paragraph (a) or (b) of this paragraph, whichever is applicable.

CS 25.1445 Equipment standards for the oxygen distributing system

(a) When oxygen is supplied to both crew and passengers, the distribution system must be designed for either –

(1) A source of supply for the flight crew on duty and a separate source for the passengers and other crew members; or

(2) A common source of supply with means to separately reserve the minimum supply required by the flight crew on duty.

(b) Portable walk-around oxygen units of the continuous flow, diluter demand, and straight demand kinds may be used to meet the crew or passenger breathing requirements.

CS 25.1447 Equipment standards for oxygen dispensing units

If oxygen-dispensing units are installed, the following apply:

(a) There must be an individual dispensing unit for each occupant for whom supplemental oxygen is to be supplied. Units must be

designed to cover the nose and mouth and must be equipped with a suitable means to retain the unit in position on the face. Flight crew masks for supplemental oxygen must have provisions for the use of communication equipment.

(b) If certification for operation up to and including 7620 m (25 000 ft) is requested, an oxygen supply terminal and unit of oxygen dispensing equipment for the immediate use of oxygen by each crew member must be within easy reach of that crew member. For any other occupants the supply terminals and dispensing equipment must be located to allow use of oxygen as required by the operating rules.

(c) If certification for operation above 7620 m (25 000 ft) is requested, there must be oxygen dispensing equipment meeting the following requirements (See AMC 25.1447(c)):

(1) There must be an oxygen-dispensing unit connected to oxygen supply terminals immediately available to each occupant, wherever seated. If certification for operation above 9144 m (30 000 ft) is requested, the dispensing units providing the required oxygen flow must be automatically presented to the occupants before the cabin pressure altitude exceeds 4572 m (15 000 ft) and the crew must be provided with a manual means to make the dispensing units immediately available in the event of failure of the automatic system. The total number of dispensing units and outlets must exceed the number of seats by at least 10%. The extra units must be as uniformly distributed throughout the cabin as practicable. (See AMC 25.1447(c)(1).)

(2) Each flight-crew member on flight deck duty must be provided with demand equipment. In addition, each flight-crew member must be provided with a quick-donning type of oxygen dispensing unit, connected to an oxygen supply terminal, that is immediately available to him when seated at his station, and this is designed and installed so that it (see AMC 25.1447 (c)(2)) –

(i) Can be placed on the face from its ready position, properly secured, sealed, and supplying oxygen upon demand, with one hand within 5 seconds and without disturbing eyeglasses or causing delay in proceeding with emergency duties; and

(ii) Allows, while in place, the performance of normal communication functions.

CS-25 BOOK 1

(3) There must be at least two outlets and units of dispensing equipment of a type similar to that required by sub-paragraph (c)(1) of this paragraph in all other compartments or work areas that may be occupied by passengers or crew members during flight, i.e. toilets, washrooms, galley work areas, etc. (See AMC 25.1447 (c)(3))

(4) Portable oxygen equipment must be immediately available for each cabin crew member. The portable oxygen equipment must have the oxygen dispensing unit connected to the portable oxygen supply. (See AMC 25.1447(c)(4).)

[Amdt No: 25/12]

[Amdt No: 25/13]

CS 25.1449 Means for determining use of oxygen

There must be a means to allow the crew to determine whether oxygen is being delivered to the dispensing equipment.

CS 25.1450 Chemical oxygen generators

(a) For the purpose of this paragraph, a chemical oxygen generator is defined as a device, which produces oxygen, by chemical reaction.

(b) Each chemical oxygen generator must be designed and installed in accordance with the following requirements:

(1) Surface temperature developed by the generator during operation may not create a hazard to the aeroplane or to its occupants.

(2) Means must be provided to relieve any internal pressure that may be hazardous.

(c) In addition to meeting the requirements in sub-paragraph (b) of this paragraph, each portable chemical oxygen generator that is capable of sustained operation by successive replacement of a generator element must be placarded to show –

(1) The rate of oxygen flow, in litres per minute;

(2) The duration of oxygen flow, in minutes, for the replaceable generator element; and

(3) A warning that the replaceable generator element may be hot, unless

the element construction is such that the surface temperature cannot exceed 37.8°C (100°F).

CS 25.1453 Protection of oxygen equipment from rupture

(a) Each element of the system, excluding chemical oxygen generators, must have sufficient strength to withstand the maximum working pressures and temperatures in combination with any externally applied load, arising from consideration of limit structural loads that may be acting on that part of the system in service.

(1) The maximum working pressure must include the maximum normal operating pressure, the transient and surge pressures, tolerances of any pressure limiting means and possible pressure variations in the normal operating modes. Transient or surge pressures need not be considered except where these exceed the maximum normal operating pressure multiplied by 1-10.

(2) Account must be taken of the effects of temperature up to the maximum anticipated temperature to which the system may be subjected.

(3) Strength demonstration using proof pressure and burst pressure coefficients specified in Table 1 is acceptable, unless higher stresses result when elements are subjected to combined pressure, temperature and structural loads.

(i) The proof and burst factors in Table 1 must be applied to maximum working pressure obtained from sub-paragraph (a)(1) with consideration given to the temperature of sub-paragraph (a)(2).

(ii) Proof pressure must be held for a minimum of 2 minutes and must not cause any leakage or permanent distortion.

(iii) Burst pressure must be held for a minimum of 1 minute and must not cause rupture but some distortion is allowed.

TABLE 1

Systems Element	Proof Factor	Burst Factor
Cylinders (i.e. pressure vessels)	1.5	2.0

CS-25 BOOK 1

Flexible hoses	2.0	4.0
Pipes and couplings	1.5	3.0
Other components	1.5	2.0

(b) Oxygen pressure sources and tubing between the sources and shut-off means must be –

(1) Protected from unsafe temperatures; and

(2) Located where the probability and hazard of rupture in a crash landing are minimised.

(c) Parts of the system subjected to high oxygen pressure must be kept to a minimum and must be remote from occupied compartments to the extent practicable. Where such parts are installed within occupied compartments they must be protected from accidental damage.

(d) Each pressure source (e.g. tanks or cylinders) must be provided with a protective device (e.g. rupture disc). Such devices must prevent the pressure from exceeding the maximum working pressure multiplied by 1.5.

(e) Pressure limiting devices (e.g. relief valves), provided to protect parts of the system from excessive pressure, must prevent the pressures from exceeding the applicable maximum working pressure multiplied by 1.33 in the event of malfunction of the normal pressure controlling means (e.g. pressure reducing valve).

(f) The discharge from each protective device and pressure limiting device must be vented overboard in such a manner as to preclude blockage by ice or contamination, unless it can be shown that no hazard exists by its discharge within the compartment in which it is installed. In assessing whether such hazard exists consideration must be given to the quantity and discharge rate of the oxygen released, the volume of the compartment into which it is discharging, the rate of ventilation within the compartment and the fire risk due to the installation of any potentially flammable fluid systems within the compartment.

[Amdt. No.: 25/4]

CS 25.1455 Draining of fluids subject to freezing

If fluids subject to freezing may be drained overboard in flight or during ground operation, the drains must be designed and located to

prevent the formation of hazardous quantities of ice on the aeroplane as a result of the drainage.

CS 25.1457 Cockpit voice recorders
(See AMC 25.1457)

(a) Each cockpit voice recorder required by the operating rules must be approved and must be installed so that it will record the following:

(1) Voice communications transmitted from or received in the aeroplane by radio.

(2) Voice communications of flight-crew members on the flight deck.

(3) Voice communications of flight-crew members on the flight deck, using the aeroplane's interphone system.

(4) Voice or audio signals identifying navigation or approach aids introduced into a headset or speaker.

(5) Voice communications of flight-crew members using the passenger loudspeaker system, if there is such a system and if the fourth channel is available in accordance with the requirements of sub-paragraph (c)(4)(ii) of this paragraph.

(b) The recording requirements of sub-paragraph (a)(2) of this paragraph must be met by installing a cockpit-mounted area microphone, located in the best position for recording voice communications originating at the first and second pilot stations and voice communications of other crew members on the flight deck when directed to those stations. The microphone must be so located and, if necessary, the pre-amplifiers and filters of the recorder must be so adjusted or supplemented, that the intelligibility of the recorded communications is as high as practicable when recorded under flight cockpit noise conditions and played back. Repeated aural or visual playback of the record may be used in evaluating intelligibility.

(c) Each cockpit voice recorder must be installed so that the part of the communication or audio signals specified in sub-paragraph (a) of this paragraph obtained from each of the following sources is recorded on a separate channel:

(1) For the first channel, from each boom, mask, or hand-held microphone, headset, or speaker used at the first pilot station.

(2) For the second channel, from each boom, mask, or hand-held microphone,

CS–25 BOOK 1

headset, or speaker used at the second pilot station.

(3) For the third channel, from the cockpit-mounted area microphone.

(4) For the fourth channel, from –

(i) Each boom, mask, or hand-held microphone, headset or speaker used at the stations for the third and fourth crew members; or

(ii) If the stations specified in sub-paragraph (c)(4)(i) of this paragraph are not required or if the signal at such a station is picked up by another channel, each microphone on the flight deck that is used with the passenger loudspeaker system if its signals are not picked up by another channel.

(5) As far as is practicable all sounds received by the microphones listed in sub-paragraphs (c)(1), (2) and (4) of this paragraph must be recorded without interruption irrespective of the position of the interphone-transmitter key switch. The design must ensure that sidetone for the flight crew is produced only when the interphone, public address system or radio transmitters are in use.

(d) Each cockpit voice recorder must be installed so that –

(1) It receives its electric power from the bus that provides the maximum reliability for operation of the cockpit voice recorder without jeopardising service to essential or emergency loads;

(2) There is an automatic means to simultaneously stop the recorder and prevent each erasure feature from functioning, within 10 minutes after crash impact; and

(3) There is an aural or visual means for pre-flight checking of the recorder for proper operation.

(e) The record container must be located and mounted to minimise the probability of rupture of the container as a result of crash impact and consequent heat damage to the record from fire. In meeting this requirement, the record container must be as far aft as practicable, but may not be where aft mounted engines may crush the container during impact. However, it need not be outside of the pressurised compartment.

(f) If the cockpit voice recorder has a bulk erasure device, the installation must be

designed to minimise the probability of inadvertent operation and actuation of the device during crash impact.

(g) Each recorder container must –

(1) Be either bright orange or bright yellow;

(2) Have reflective tape affixed to its external surface to facilitate its location under water; and

(3) Have an underwater locating device, when required by the operating rules, on or adjacent to the container which is secured in such a manner that they are not likely to be separated during crash impact.

CS 25.1459 Flight recorders

(a) Each flight recorder required by the operating rules must be installed so that –

(1) It is supplied with airspeed, altitude, and directional data obtained from sources that meet the accuracy requirements of CS 25.1323, 25.1325 and 25.1327, as appropriate;

(2) The vertical acceleration sensor is rigidly attached, and located longitudinally either within the approved centre of gravity limits of the aeroplane, or at a distance forward or aft of these limits that does not exceed 25% of the aeroplanes mean aerodynamic chord;

(3) It receives its electrical power from the bus that provides the maximum reliability for operation of the flight recorder without jeopardising service to essential or emergency loads;

(4) There is an aural or visual means for pre-flight checking of the recorder for proper recording of data in the storage medium (see AMC 25.1459 (a)(4));

(5) Except for recorders powered solely by the engine-driven electrical generator system, there is an automatic means to simultaneously stop a recorder that has a data erasure feature and prevent each erasure feature from functioning, within 10 minutes after crash impact; and

(6) There is a means to record data from which the time of each radio transmission either to or from ATC can be determined.

(b) Each non-ejectable record container must be located and mounted so as to minimise

CS-25 BOOK 1

the probability of container rupture resulting from crash impact and subsequent damage to the record from fire. In meeting this requirement the record container must be located as far aft as practicable, but need not be aft of the pressurised compartment, and may not be where aft-mounted engines may crush the container upon impact. (See AMC 25.1459 (b).)

(c) A correlation must be established between the flight recorder readings of airspeed, altitude, and heading and the corresponding readings (taking into account correction factors) of the first pilot's instruments. The correlation must cover the airspeed range over which the aeroplane is to be operated, the range of altitude to which the aeroplane is limited, and 360° of heading. Correlation may be established on the ground as appropriate.

(d) Each recorder container must –

(1) Be either bright orange or bright yellow;

(2) Have reflective tape affixed to its external surface to facilitate its location under water; and

(3) Have an underwater locating device, when required by the operating rules, on or adjacent to the container which is secured in such a manner that they are not likely to be separated during crash impact.

(e) Any novel or unique design or operational characteristics of the aircraft must be evaluated to determine if any dedicated parameters must be recorded on flight recorders in addition to or in place of existing requirements.

[Amdt. No.: 25/11]

**CS 25.1461 Equipment containing
 high-energy rotors**

(a) Equipment containing high energy rotors must meet sub-paragraph (b), (c) or (d) of this paragraph.

(b) High energy rotors contained in equipment must be able to withstand damage caused by malfunctions, vibration, abnormal speeds, and abnormal temperatures. In addition

(1) Auxiliary rotor cases must be able to contain damage caused by the failure of high energy rotor blades; and

(2) Equipment control devices, systems, and instrumentation must

reasonably ensure that no operating limitations affecting the integrity of high-energy rotors will be exceeded in service.

(c) It must be shown by test that equipment containing high-energy rotors can contain any failure of a high-energy rotor that occurs at the highest speed obtainable with the normal speed control devices inoperative.

(d) Equipment containing high energy rotors must be located where rotor failure will neither endanger the occupants nor adversely affect continued safe flight.

CS-25 BOOK 1

SUBPART G – OPERATING LIMITATIONS AND INFORMATION

CS 25.1501 General

(See AMC 25.1501)

(a) Each operating limitation specified in CS 25.1503 to 25.1533 and other limitations and information necessary for safe operation must be established.

(b) The operating limitations and other information necessary for safe operation must be made available to the crew members as prescribed in CS 25.1541 to CS 25.1593.

[Amdt No: 25/13]

OPERATING LIMITATIONS**CS 25.1503 Airspeed limitations: general**

When airspeed limitations are a function of weight, weight distribution, altitude, or Mach number, limitations corresponding to each critical combination of these factors must be established.

CS 25.1505 Maximum operating limit speed

The maximum operating limit speed (V_{MO}/M_{MO} , airspeed or Mach number, whichever is critical at a particular altitude) is a speed that may not be deliberately exceeded in any regime of flight (climb, cruise, or descent), unless a higher speed is authorised for flight test or pilot training operations. V_{MO}/M_{MO} must be established so that it is not greater than the design cruising speed V_C and so that it is sufficiently below V_D/M_D or V_{DF}/M_{DF} , to make it highly improbable that the latter speeds will be inadvertently exceeded in operations. The speed margin between V_{MO}/M_{MO} and V_D/M_D or V_{DF}/M_{DF} may not be less than that determined under CS 25.335(b) or found necessary during the flight tests conducted under CS 25.253.

CS 25.1507 Manoeuvring speed

The manoeuvring speed must be established so that it does not exceed the design manoeuvring speed V_A determined under CS 25.335 (c).

CS 25.1511 Flap extended speed

The established flap extended speed V_{FE} must be established so that it does not exceed the design flap speed V_F chosen under CS 25.335 (e) and 25.345, for the corresponding wing-flap positions and engine powers.

CS 25.1513 Minimum control speed

The minimum control speed V_{MC} determined under CS 25.149 must be established as an operating limitation.

CS 25.1515 Landing gear speeds

(a) The established landing gear operating speed or speeds, V_{LO} , may not exceed the speed at which it is safe both to extend and to retract the landing gear, as determined under CS 25.729 or by the flight characteristics. If the extension speed is not the same as the retraction speed, the two speeds must be designated as $V_{LO(EXT)}$ and $V_{LO(RET)}$, respectively.

(b) The established landing gear extended speed V_{LE} may not exceed the speed at which it is safe to fly with the landing gear secured in the fully extended position, and that determined under CS 25.729.

CS 25.1516 Other speed limitations

Any other limitation associated with speed must be established.

CS 25.1517 Rough air speed, V_{RA}

(a) A rough air speed V_{RA} for use as the recommended turbulence penetration air speed, and a rough air Mach number M_{RA} , for use as the recommended turbulence penetration Mach number, must be established to ensure that likely speed variation during rough air encounters will not cause the overspeed warning to operate too frequently.

(b) At altitudes where V_{MO} is not limited by Mach number, in the absence of a rational investigation substantiating the use of other values, V_{RA} must be less than $V_{MO} - 35$ KTAS.

(c) At altitudes where V_{MO} is limited by Mach number, M_{RA} may be chosen to provide an optimum margin between low and high speed buffet boundaries.

[Amdt. No.:25/1]

CS 25.1519 Weight, centre of gravity and weight distribution

The aeroplane weight, centre of gravity, and weight distribution limitations determined under CS 25.23 to CS 25.27 must be established as operating limitations. (See AMC 25.1519.)

CS-25 BOOK 1**CS 25.1521 Powerplant limitations**
(See AMC 25.1521)

(a) *General.* The powerplant limitations prescribed in this paragraph must be established so that they do not exceed the corresponding limits for which the engines or propellers are type certificated and do not exceed the values on which compliance with any other requirement of this Code is based.

(b) Reserved.

(c) *Turbine engine installations.* Operating limitations relating to the following must be established for turbine engine installations:

(1) Horsepower, torque or thrust, rpm, gas temperature, and time for –

(i) Maximum continuous power or thrust (relating to augmented or unaugmented operation as applicable).

(ii) Take-off power or thrust (relating to augmented or unaugmented operation as applicable).

(2) Fuel designation or specification.

(3) Any other parameter for which a limitation has been established as part of the engine type certificate except that a limitation need not be established for a parameter that cannot be exceeded during normal operation due to the design of the installation or to another established limitation.

(d) *Ambient temperature.* An ambient temperature limitation (including limitations for winterisation installations, if applicable) must be established as the maximum ambient atmospheric temperature established in accordance with CS 25.1043(b).

CS 25.1523 Minimum flight crew

The minimum flight crew must be established (see AMC 25.1523) so that it is sufficient for safe operation, considering –

(a) The workload on individual crew members;

(b) The accessibility and ease of operation of necessary controls by the appropriate crew member; and

(c) The kind of operation authorised under CS 25.1525.

The criteria used in making the determinations required by this paragraph are set forth in Appendix D.

CS 25.1525 Kinds of operation

The kinds of operation to which the aeroplane is limited are established by the category in which it is eligible for certification and by the installed equipment.

CS 25.1527 Ambient air temperature and operating altitude

The extremes of the ambient air temperature and operating altitude for which operation is allowed, as limited by flight, structural, powerplant, functional, or equipment characteristics, must be established.

CS 25.1529 Instructions for Continued Airworthiness

Instructions for Continued Airworthiness in accordance with Appendix H must be prepared.

CS 25.1531 Manoeuvring flight load factors

Load factor limitations, not exceeding the positive limit load factors determined from the manoeuvring diagram in CS 25.333 (b), must be established.

CS 25.1533 Additional operating limitations

(a) Additional operating limitations must be established as follows:

(1) The maximum take-off weights must be established as the weights at which compliance is shown with the applicable provisions of this CS-25 (including the take-off climb provisions of CS 25.121 (a) to (c), for altitudes and ambient temperatures).

(2) The maximum landing weights must be established as the weights at which compliance is shown with the applicable provisions of this CS-25 (including the landing and approach climb provisions of CS 25.119 and 25.121 (d) for altitudes and ambient temperatures).

(3) The minimum take-off distances must be established as the distances at which compliance is shown with the applicable provisions of this CS-25 (including the provisions of CS 25.109 and 25.113, for weights, altitudes, temperatures, wind components, runway surface conditions (dry and wet) and runway gradients) for smooth, hard-surfaced runways. Additionally, at the option of the applicant, wet runway take-off distances may be established for runway surfaces that have been

CS-25 BOOK 1

grooved or treated with a porous friction course and may be approved for use on runways where such surfaces have been designed, constructed and maintained in a manner acceptable to the Agency. (See AMC 25.1533(a)(3).)

(b) The extremes for variable factors (such as altitude, temperature, wind, runway gradients) are those at which compliance with the applicable provisions of this CS-25 is shown.

CS 25.1535 ETOPS Design approval

To determine an aircraft configuration capable of ETOPS, the following must be complied with:

(a) Comply with the requirements of CS-25 considering the maximum flight duration and the longest diversion time for which approval is being sought.

(b) Consider crew workload and operational implications and the flight crew's and passengers' physiological needs of continued operations with failure effects for the longest diversion time for which approval is being sought.

(c) Establish appropriate capability and limitations. (See AMC 20-6.)

[Amdt. No.:25/10]

MARKINGS AND PLACARDS**CS 25.1541 General**
(See AMC 25.1541)

(a) The aeroplane must contain –

(1) The specified markings and placards; and

(2) Any additional information, instrument markings, and placards required for the safe operation if there are unusual design, operating, or handling characteristics.

(b) Each marking and placard prescribed in sub-paragraph (a) of this paragraph –

(1) Must be displayed in a conspicuous place; and

(2) May not be easily erased, disfigured, or obscured.

CS 25.1543 Instrument markings; general
(See AMC 25.1543)

For each instrument –

(a) When markings are on the cover glass of the instrument, there must be means to maintain the correct alignment of the glass cover with the face of the dial; and

(b) Each instrument marking must be clearly visible to the appropriate crew member.

CS 25.1545 Airspeed limitation information

The airspeed limitations required by CS 25.1583(a) must be easily read and understood by the flight crew. (See AMC 25.1545.)

CS 25.1547 Magnetic direction indicator

(a) A placard meeting the requirements of this paragraph must be installed on, or near, the magnetic direction indicator.

(b) The placard must show the calibration of the instrument in level flight with the engines operating.

(c) The placard must state whether the calibration was made with radio receivers on or off.

(d) Each calibration reading must be in terms of magnetic heading in not more than 45° increments.

CS 25.1549 Powerplant instruments
(See AMC 25.1549)

For each required powerplant instrument, as appropriate to the type of instrument:

(a) Each maximum and, if applicable, minimum safe operating limit must be marked with a red radial or a red line;

(b) Each normal operating range must be marked with a green arc or green line, not extending beyond the maximum and minimum safe limits;

(c) Each take-off and precautionary range must be marked with a yellow arc or a yellow line; and

(d) Each engine or propeller speed range that is restricted because of excessive vibration stresses must be marked with red arcs or red lines.

CS 25.1551 Oil quantity indicator

Each oil quantity indicating means must be marked to indicate the quantity of oil readily and accurately.

CS-25 BOOK 1**CS 25.1553 Fuel quantity indicator**

If the unusable fuel supply for any tank exceeds 3.8 l (one gallon), or 5% of the tank capacity, whichever is greater, a red arc must be marked on its indicator extending from the calibrated zero reading to the lowest reading obtainable in level flight.

CS 25.1555 Control markings

(a) Each cockpit control, other than primary flight controls and controls whose function is obvious, must be plainly marked as to its function and method of operation.

(b) Each aerodynamic control must be marked under the requirements of CS 25.677 and 25.699.

(c) For powerplant fuel controls –

(1) Each fuel tank selector control must be marked to indicate the position corresponding to each tank and to each existing cross feed position;

(2) If safe operation requires the use of any tanks in a specific sequence, that sequence must be marked on, or adjacent to, the selector for those tanks; and

(3) Each valve control for each engine must be marked to indicate the position corresponding to each engine controlled.

(d) For accessory, auxiliary, and emergency controls –

(1) Each emergency control (including each fuel jettisoning and fluid shutoff control) must be coloured red; and

(2) Each visual indicator required by CS 25.729 (e) must be marked so that the pilot can determine at any time when the wheels are locked in either extreme position, if retractable landing gear is used.

CS 25.1557 Miscellaneous markings and placards

(a) *Baggage and cargo compartments and ballast location.* Each baggage and cargo compartment, and each ballast location must have a placard stating any limitations on contents, including weight, that are necessary under the loading requirements. However, underseat compartments designed for the storage of carry-on articles weighing not more than 9 kg (20 lb) need not have a loading limitation placard. (See AMC 25.1557 (a).)

(b) *Powerplant fluid filler openings.* The following apply:

(1) Fuel filler openings must be marked at or near the filler cover with –

(i) The word ‘fuel’;

(ii) Reserved.

(iii) The permissible fuel designations; and

(iv) For pressure fuelling systems, the maximum permissible fuelling supply pressure and the maximum permissible defuelling pressure.

(2) Oil filler openings must be marked at or near the filler cover with the word ‘oil’.

(3) Augmentation fluid filler openings must be marked at or near the filler cover to identify the required fluid.

(c) *Emergency exit placards.* Each emergency exit placard must meet the requirements of CS 25.811.

(d) *Doors.* Each door that must be used in order to reach any required emergency exit must have a suitable placard stating that the door is to be latched in the open position during take-off and landing.

CS 25.1561 Safety equipment

(a) Each safety equipment control to be operated by the crew in emergency, such as controls for automatic liferaft releases, must be plainly marked as to its method of operation.

(b) Each location, such as a locker or compartment, that carries any fire extinguishing, signalling, or other lifesaving equipment must be marked accordingly.

(c) Stowage provisions for required emergency equipment must be conspicuously marked to identify the contents and facilitate the easy removal of the equipment.

(d) Each liferaft must have obviously marked operating instructions.

(e) Approved survival equipment must be marked for identification and method of operation.

CS 25.1563 Airspeed placard

A placard showing the maximum airspeeds for wing-flap extension for the take-off, approach, and landing positions must be installed in clear view of each pilot.

CS-25 BOOK 1

AEROPLANE FLIGHT MANUAL

CS 25.1581 General
(See AMC 25.1581)

(a) *Furnishing information.* An aeroplane Flight Manual must be furnished with each aeroplane, and it must contain the following:

(1) Information required by CS 25.1583 to 25.1587.

(2) Other information that is necessary for safe operation because of design, operating, or handling characteristics.

(3) Any limitation, procedure, or other information established as a condition of compliance with the applicable noise standards.

(b) *Approved information.* Each part of the manual listed in CS 25.1583 to 25.1587 that is appropriate to the aeroplane, must be furnished, verified, and approved, and must be segregated, identified, and clearly distinguished from each unapproved part of that manual.

(c) Reserved.

(d) Each aeroplane Flight Manual must include a table of contents if the complexity of the manual indicates a need for it.

CS 25.1583 Operating limitations

(a) *Airspeed limitations.* The following airspeed limitations and any other airspeed limitations necessary for safe operation must be furnished.

(1) The maximum operating limit speed V_{MO}/M_{MO} and a statement that this speed limit may not be deliberately exceeded in any regime of flight (climb, cruise, or descent) unless a higher speed is authorised for flight test or pilot training.

(2) If an airspeed limitation is based upon compressibility effects, a statement to this effect and information as to any symptoms, the probable behaviour of the aeroplane, and the recommended recovery procedures.

(3) The manoeuvring speed V_A and a statement that full application of rudder and aileron controls, as well as manoeuvres that involve angles of attack near the stall, should be confined to speeds below this value.

(4) The flap extended speeds V_{FE} and the pertinent wing-flap positions and engine powers.

(5) The landing gear operating speed or speeds, and a statement explaining the speeds as defined in CS 25.1515 (a).

(6) The landing gear extended speed V_{LE} , if greater than V_{LO} , and a statement that this is the maximum speed at which the aeroplane can be safely flown with the landing gear extended.

(b) *Powerplant limitations.* The following information must be furnished:

(1) Limitations required by CS 25.1521.

(2) Explanation of the limitations, when appropriate.

(3) Information necessary for marking the instruments required by CS 25.1549 to 25.1553.

(c) *Weight and loading distribution.* The weight and centre of gravity limitations established under CS 25.1519 must be furnished in the aeroplane Flight Manual. All of the following information, including the weight distribution limitations established under CS 25.1519, must be presented either in the aeroplane Flight Manual or in a separate weight and balance control and loading document that is incorporated by reference in the aeroplane Flight Manual;

(1) The condition of the aeroplane and the items included in the empty weight as defined in accordance with CS 25.29.

(2) Loading instructions necessary to ensure loading of the aeroplane within the weight and centre of gravity limits, and to maintain the loading within these limits in flight.

(3) If certification for more than one centre of gravity range is requested, the appropriate limitations, with regard to weight and loading procedures, for each separate centre of gravity range.

(d) *Flight crew.* The number and functions of the minimum flight crew determined under CS 25.1523 must be furnished.

(e) *Kinds of operation.* The kinds of operation approved under CS 25.1525 must be furnished.

(f) *Ambient air temperatures and operating altitudes.* The extremes of the ambient air temperatures and operating altitudes established under CS 25.1527 must be furnished.

(g) Reserved.

(h) *Additional operating limitations.* The operating limitations established under CS 25.1533 must be furnished.

CS-25 BOOK 1

(i) *Manoeuvring flight load factors.* The positive manoeuvring limit load factors for which the structure is proven, described in terms of accelerations, must be furnished.

(j) reserved

(k) A limitation on the maximum depth of runway contaminants for take-off operation must be furnished. (See AMC 25.1583 (k).)

[Amdt No.:25/1]

CS 25.1585 Operating procedures

(a) Operating procedures must be furnished for –

(1) Normal procedures peculiar to the particular type or model encountered in connection with routine operations;

(2) Non-normal procedures for malfunction cases and failure conditions involving the use of special systems or the alternative use of regular systems; and

(3) Emergency procedures for foreseeable but unusual situations in which immediate and precise action by the crew may be expected to substantially reduce the risk of catastrophe.

(b) Information or procedures not directly related to airworthiness or not under the control of the crew, must not be included, nor must any procedure that is accepted as basic airmanship.

(c) Information identifying each operating condition in which the fuel system independence prescribed in CS 25.953 is necessary for safety must be furnished, together with instructions for placing the fuel system in a configuration used to show compliance with that section.

(d) The buffet onset envelopes determined under CS 25.251 must be furnished. The buffet onset envelopes presented may reflect the centre of gravity at which the aeroplane is normally loaded during cruise if corrections for the effect of different centre of gravity locations are furnished.

(e) Information must be furnished that indicates that when the fuel quantity indicator reads 'zero' in level flight, any fuel remaining in the fuel tank cannot be used safely in flight.

(f) Information on the total quantity of usable fuel for each fuel tank must be furnished.

CS 25.1587 Performance information

(a) Each aeroplane Flight Manual must contain information to permit conversion of the

indicated temperature to free air temperature if other than a free air temperature indicator is used to comply with the requirements of CS 25.1303 (a) (1).

(b) Each aeroplane Flight Manual must contain the performance information computed under the applicable provisions of this CS-25 (including CS 25.115, 25.123 and 25.125 for the weights, altitudes, temperatures, wind components, and runway gradients, as applicable) within the operational limits of the aeroplane, and must contain the following:

(1) In each case, the conditions of power, configuration, and speeds, and the procedures for handling the aeroplane and any system having a significant effect on the performance information.

(2) V_{SR} determined in accordance with CS 25.103.

(3) The following performance information (determined by extrapolation and computed for the range of weights between the maximum landing weight and the maximum take-off weight):

(i) Climb in the landing configuration.

(ii) Climb in the approach configuration.

(iii) Landing distance.

(4) Procedures established under CS 25.101 (f) and (g) that are related to the limitations and information required by CS 25.1533 and by this paragraph in the form of guidance material including any relevant limitation or information.

(5) An explanation of significant or unusual flight or ground handling characteristics of the aeroplane.

(6) Corrections to indicated values of airspeed, altitude and outside air temperature.

(7) An explanation of operational landing runway length factors included in the presentation of the landing distance, if appropriate.

CS-25 BOOK 1**SUPPLEMENTARY INFORMATION**

**CS 25.1591 Performance Information
for Operations with
Contaminated Runway
Surface Conditions**
(See AMC 25.1591)

(a) Supplementary performance information applicable to aeroplanes operated on runways contaminated with standing water, slush, snow or ice may be furnished at the discretion of the applicant. If supplied, this information must include the expected performance of the aeroplane during take-off and landing on hard-surfaced runways covered by these contaminants. If information on any one or more of the above contaminated surfaces is not supplied, the AFM must contain a statement prohibiting operation(s) on the contaminated surface(s) for which information is not supplied. Additional information covering operation on contaminated surfaces other than the above may be provided at the discretion of the applicant.

(b) Performance information furnished by the applicant must be contained in the AFM. The information may be used to assist operators in producing operational data and instructions for use by their flight crews when operating with contaminated runway surface conditions. The information may be established by calculation or by testing.

(c) The AFM must clearly indicate the conditions and the extent of applicability for each contaminant used in establishing the contaminated runway performance information. It must also state that actual conditions that are different from those used for establishing the contaminated runway performance information may lead to different performance.

[Amdt.

No.:25/2]

**CS 25.1593 Exposure to volcanic cloud
hazards**

(See AMC 25.1593)

The susceptibility of aeroplane features to the effects of volcanic cloud hazards must be established.

[Amdt No: 25/13]

CS-25 BOOK 1**SUBPART H – ELECTRICAL WIRING INTERCONNECTION SYSTEM****CS 25.1701****Definition**

(See AMC 25.1701)

(a) Electrical wiring interconnection system (EWIS) means any wire, wiring device, or combination of these, including termination devices, installed in any area of the aeroplane for the purpose of transmitting electrical energy, including data and signals between two or more intended termination points. Except as provided for in subparagraph (c) of this paragraph, this includes:

- (1) Wires and cables.
- (2) Bus bars.
- (3) The termination point on electrical devices, including those on relays, interrupters, switches, contactors, terminal blocks, and circuit breakers and other circuit protection devices.
- (4) Connectors, including feed-through connectors.
- (5) Connector accessories.
- (6) Electrical grounding and bonding devices and their associated connections.
- (7) Electrical splices.
- (8) Materials used to provide additional protection for wires, including wire insulation, wire sleeving, and conduits that have electrical termination for the purpose of bonding.
- (9) Shields or braids.
- (10) Clamps and other devices used to route and support the wire bundle.
- (11) Cable tie devices.
- (12) Labels or other means of identification.
- (13) Pressure seals.

(b) The definition in subparagraph (a) of this paragraph covers EWIS components inside shelves, panels, racks, junction boxes, distribution panels, and back-planes of equipment racks, including, but not limited to, circuit board back-planes, wire integration units and external wiring of equipment.

(c) Except for the equipment indicated in subparagraph (b) of this paragraph, EWIS components inside the following equipment, and the external connectors that are part of that equipment, are excluded from the definition in subparagraph (a) of this paragraph:

- (1) Electrical equipment or avionics that is qualified to environmental conditions and testing procedures when those conditions and procedures are -

(i) Appropriate for the intended function and operating environment, and

(ii) Acceptable to the Agency.

(2) Portable electrical devices that are not part of the type design of the aeroplane. This includes personal entertainment devices and laptop computers.

(3) Fibre optics.

[Amdt. No.:25/5]

CS 25.1703**Function and Installation;
EWIS**

(See AMC 25.1703)

(a) Each EWIS component installed in any area of the aeroplane must:

(1) Be of a kind and design appropriate to its intended function.

(2) Be installed according to limitations specified for the EWIS components.

(3) Function properly when installed.

(4) Be designed and installed in a way that will minimise mechanical strain.

(b) The selection of wires must take into account known characteristics of the wire in relation to each particular installation and application in order to minimise the risk of wire damage, including any arc tracking phenomena.

(c) The design and installation of the main power cables, including generator cables, in the fuselage must allow for a reasonable degree of deformation and stretching without failure.

(d) EWIS components located in areas of known moisture accumulation must be adequately protected to minimise any hazardous effect due to moisture.

(e) EWIS modifications to the original type design must be designed and installed to the same standards used by the original aeroplane manufacturer or other equivalent standards acceptable to the Agency.

[Amdt. No.:25/5]

CS 25.1705**Systems and Functions;
EWIS**

(a) EWIS associated with systems required for type certification or by operating rules must be

CS-25 BOOK 1

considered an integral part of that system and must be considered in showing compliance with the applicable requirements for that system.

(b) For systems to which the following rules apply, the components of EWIS associated with those systems must be considered an integral part of that system or systems and must be considered in showing compliance with the applicable requirements for that system.

- (1) CS 25.773(b)(2) Pilot compartment view.
- (2) CS 25.854 Lavatory fire protection
- (3) CS 25.858 Cargo compartment fire detection systems
- (4) CS 25.981 Fuel tank ignition prevention.
- (5) CS 25.1165 Engine ignition systems.
- (6) CS 25.1203 Fire-detector systems
- (7) CS 25.1303(b) Flight and Navigation Instruments
- (8) CS 25.1310 Power source Capacity and Distribution
- (9) CS 25.1316 System lightning protection
- (10) CS 25.1331(a)(2) Instruments using a power supply
- (11) CS 25.1351 General.
- (12) CS 25.1355 Distribution system.
- (13) CS 25.1360 Precautions against injury.
- (14) CS 25.1362 Electrical supplies for emergency conditions.
- (15) CS 25.1365 Electrical appliances, motors, and transformers.
- (16) CS 25.1431(c) and (d) Electronic equipment.

[Amdt. No.:25/5]

CS 25.1707 System Separation; EWIS
(See AMC 25.1707)

(a) Each EWIS must be designed and installed with adequate physical separation from other EWIS and aeroplane systems so that an EWIS component failure will not create a hazardous condition. Unless otherwise stated, for the purposes of this paragraph, adequate physical separation must be achieved by separation distance or by a barrier that provides protection equivalent to that separation distance.

(b) Each EWIS must be designed and installed such that any electrical interference likely to be present in the aeroplane will not result in hazardous effects upon the aeroplane or its systems except under extremely remote conditions.

(c) Wires and cables carrying heavy current and their associated EWIS components must be designed and installed to ensure adequate physical separation and electrical isolation, so that damage to essential circuits will be minimised under fault conditions.

(d) Each EWIS associated with independent aeroplane power sources or power sources connected in combination must be designed and installed to ensure adequate physical separation and electrical isolation so that a fault in any one aeroplane power source EWIS will not adversely affect any other independent power sources. In addition:

(1) Aeroplane independent electrical power sources must not share a common ground terminating location, and

(2) Aeroplane system's static grounds must not share a common ground terminating location with any of the aeroplane independent electrical power sources.

(e) Except to the extent necessary to provide electrical connection to the fuel systems components the EWIS must be designed and installed with adequate physical separation from fuel lines and other fuel system components, such that

(1) An EWIS component failure will not create a hazardous condition, and

(2) Fuel leakage onto EWIS components will not create a hazardous condition.

(f) Except to the extent necessary to provide electrical connection to the hydraulic systems components the EWIS must be designed and installed with adequate physical separation from hydraulic lines and other hydraulic system components, such that

(1) An EWIS component failure will not create a hazardous condition, and

(2) Hydraulic fluid leakage onto EWIS components will not create a hazardous condition.

(g) Except to the extent necessary to provide electrical connection to the oxygen systems components the EWIS must be designed and installed with adequate physical separation from oxygen lines and other oxygen system components,

CS-25 BOOK 1

such that an EWIS component failure will not create a hazardous condition.

(h) Except to the extent necessary to provide electrical connection to the water/waste systems components the EWIS must be designed and installed with adequate physical separation from water/waste lines and other water/waste system components, such that

(1) An EWIS component failure will not create a hazardous condition, and

(2) Water/waste leakage onto EWIS components will not create a hazardous condition.

(i) Electrical wiring interconnection systems must be designed and installed with adequate physical separation between the EWIS and flight or other mechanical control systems cables, and associated system components such that,

(1) Chafing, jamming, or other interference are prevented, and

(2) An EWIS component failure will not create a hazardous condition, and

(3) Failure of any flight or other mechanical control systems cables or systems components will not damage EWIS and create a hazardous condition.

(j) Electrical wiring interconnection systems must be designed and installed with adequate physical separation between the EWIS components and heated equipment, hot air ducts, and lines such that;

(1) An EWIS component failure will not create a hazardous condition, and

(2) Hot air leakage or generated heat onto EWIS components will not create a hazardous condition.

(k) For systems for which redundancy is required either by specific certification requirements, operating rules or by CS 25.1709, each applicable EWIS must be designed and installed with adequate physical separation.

(l) Each EWIS must be designed and installed so there is adequate physical separation between it and other aeroplane components and structure, and so that the EWIS is protected from sharp edges and corners, in order to minimise potential for abrasion/chafing, vibration damage, and other types of mechanical damage.

[Amdt. No.:25/5]

CS 25.1709 System Safety; EWIS
(See AMC 25.1709)

EWIS must be designed and installed so that:

(a) Each catastrophic failure condition

(1) is extremely improbable; and

(2) does not result from a single failure;

and

(b) Each hazardous failure condition is extremely remote.

[Amdt. No.:25/5]

CS 25.1711 Component identification; EWIS
(See AMC 25.1711)

(a) EWIS components must be labelled or otherwise identified using a consistent method that facilitates identification of the EWIS component, its function, and its design limitations, if any.

(b) For systems for which redundancy is required either by specific certification requirements, operating rules or by CS 25.1709, concerned EWIS components must be particularly identified with its component part number, function, and separation requirement for bundles;

(1) The identification must be placed along the wire, cable or wire bundles at appropriate intervals and in areas of the aeroplane so they are readily visible to maintenance, repair, or alteration personnel.

(2) If an EWIS component cannot be marked physically, then others means of identification must be provided.

(c) The identifying markings required by subparagraphs (a) and (b) must remain legible throughout the expected service life of the EWIS component.

(d) The means used for identifying each EWIS component as required by this paragraph must not have an adverse effect on the performance of that component throughout its expected service life.

(e) Identification for EWIS modifications to the type design must be consistent with the identification scheme of the original type design.

[Amdt. No.:25/5]

CS 25.1713 Fire Protection; EWIS
(See AMC 25.1713)

(a) All EWIS components must meet the applicable fire and smoke protection requirements of CS 25.831(c) and CS 25.863.

CS-25 BOOK 1

(b) EWIS components that are located in designated fire zones and are necessary during emergency procedures must be at least fire resistant.

(c) Insulation on electrical wire and electrical cable, including materials used to provide additional protection for the wire and cable installed in any area of the aeroplane, must be self-extinguishing when tested in accordance with the applicable portions of Part I of Appendix F.

[Amdt. No.:25/5]

CS 25.1715 Electrical bonding and protection against static electricity; EWIS
(See AMC 25.1715)

(a) EWIS components used for electrical bonding and protection against static electricity must meet the requirements of CS 25.899.

(b) Electrical bonding provided by EWIS components must provide an adequate electrical return path under both normal and fault conditions, on aeroplanes having earthed electrical systems (see CS 25.1353(e)).

[Amdt. No.:25/5]

CS 25.1717 Circuit protective devices; EWIS
(See AMC 25.1717)

EWIS components must be designed and installed so they are compatible with the circuit protection devices required by CS 25.1357, so that a fire or smoke hazard cannot be created under temporary or continuous fault conditions.

[Amdt. No.:25/5]

CS 25.1719 Accessibility Provisions; EWIS
(See AMC 25.1719)

Means must be provided to allow for inspection of EWIS and the replacement of its components as necessary for continued airworthiness.

[Amdt. No.:25/5]

CS 25.1721 Protection of EWIS
(See AMC 25.1721)

(a) No cargo or baggage compartment may contain any EWIS whose damage or failure may affect safe operation, unless the EWIS is protected so that:

(1) It cannot be damaged by the movement of cargo or baggage in the compartment.

(2) Its breakage or failure will not create a fire hazard.

(b) EWIS must be designed and installed to minimise damage and risk of damage to EWIS by movement of people in the aeroplane during all phases of flight, maintenance, and servicing.

(c) EWIS must be designed and installed to minimise damage and risk of damage to EWIS by items carried onto the aeroplane by passengers or cabin crew.

[Amdt. No.:25/5]

CS 25.1723 Flammable fluid protection; EWIS
(See AMC 25.1723)

EWIS components must be considered to be a potential ignition source in each area where flammable fluid or vapours might escape by leakage of a fluid system and must meet the requirements of CS 25.863.

[Amdt. No.:25/5]

CS 25.1725 Powerplants; EWIS

(a) EWIS associated with any powerplant must be designed and installed so that the failure of an EWIS component will not prevent the continued safe operation of the remaining powerplants or require immediate action by any crew member for continued safe operation, in accordance with the requirements of CS 25.903(b).

(b) Design precautions must be taken to minimise hazards to the aeroplane due to EWIS damage in the event of a powerplant rotor failure or of a fire originating within the powerplant, which burns through the powerplant case, in accordance with the requirements of CS 25.903(d)(1).

[Amdt. No.:25/5]

CS 25.1727 Flammable Fluid Shutoff Means; EWIS

EWIS associated with each flammable fluid shutoff means and control must be fireproof or must be located and protected so that any fire in a fire zone will not affect operation of the flammable fluid shutoff means in accordance with the requirements of CS 25.1189.

[Amdt. No.:25/5]

CS-25 BOOK 1**CS 25.1729 Instructions for
Continued Airworthiness;
EWIS**

The applicant must prepare Instructions for Continued Airworthiness applicable to EWIS in accordance with the requirements of CS 25.1529 and Appendix H paragraphs H25.4 and H25.5.

[Amdt. No.:25/5]

**CS 25.1731 Powerplant and APU fire
detector system; EWIS**

(a) EWIS that are part of each fire or overheat detector system in a fire zone must be at least fire-resistant.

(b) No EWIS component of any fire or overheat detector system for any fire zone may pass through another fire zone, unless:

(1) It is protected against the possibility of false warnings resulting from fires in zones through which it passes; or

(2) Each zone involved is simultaneously protected by the same detector and extinguishing system.

[Amdt. No.:25/5]

CS-25 BOOK 1**SUBPART J – AUXILIARY POWER UNIT INSTALLATIONS****GENERAL**

[Amdt. No.: 25/1]

CS 25J901 Installation

(a) For the purpose of this subpart, the APU installation includes:

- (1) The APU;
- (2) Each component that affects the control of the APU;
- (3) Each component that affects the safety of the APU.

(b) For the purpose of this subpart,

(1) An essential APU is defined as an APU whose function is required for the dispatch of the aeroplane and/or continued safe flight.

(2) A non-essential APU is defined as an APU whose function is a matter of convenience, either on the ground or in flight, and may be shut down without jeopardising safe aeroplane operation.

(c) For each APU:

- (1) The installation must comply with:
 - (i) The installation instructions provided under CS-APU, and
 - (ii) The applicable provisions of this subpart for non-essential APUs, or
 - (iii) The applicable provisions of this subpart for essential APUs.

(2) The components of the installation must be constructed, arranged, and installed so as to ensure their continued safe operation between normal inspections or overhauls. (See AMC 25J901(c)(2).)

(3) The installation must be accessible for necessary inspections and maintenance; and

(4) The major components of the installation must be electrically bonded to the other parts of the aeroplane. (See AMC 25J901(c)(4).)

(d) The APU installation must comply with CS 25.1309, except that the effects of the following need not comply with CS 25.1309(b) (see AMC 25.901(c)):

- (1) APU case burn through or rupture; and
- (2) Uncontained APU rotor failure.

CS 25J903 Auxiliary Power Unit

(a) Each APU must meet the appropriate requirements of CS-APU for its intended function:

- (1) Essential: Category 1 APU,
- (2) Non-essential: Category 1 or Category 2 APU.

(b) Reserved

(c) Control of APU rotation and shut-down capability.

(1) It shall be possible to shut down the APU from the flight deck in normal and emergency conditions.

(2) Where continued rotation of an APU could jeopardise the safety of the aeroplane, there must be a means for stopping rotation. Each component of the stopping system located in the APU compartment must be at least fire resistant.

(d) For APU installation:

(1) Design precautions must be taken to minimise the hazards to the aeroplane in the event of an APU rotor failure or of a fire originating within the APU which burns through the APU casing. (See AMC 20-128A.)

(2) The systems associated with APU control devices, systems and instrumentation, must be designed to give reasonable assurance that those APU operating limitations that adversely affect turbine rotor structural integrity will not be exceeded in service.

(e) In-flight start capability.

(1) For non-essential APUs that can be started in-flight and all essential APUs:

(i) Means must be provided to start the APU in-flight, and

(ii) An altitude and airspeed envelope must be established and demonstrated for APU in-flight starting.

(2) For essential APUs:

Cold soak must be considered in establishing the envelope of CS 25J903(e)(1)(ii).

CS-25 BOOK 1

[Amdt. No.: 25/1]

CS 25J939 APU operating characteristics

(a) APU operating characteristics must be investigated in all aeroplane operating conditions from APU start until shutdown to determine that no adverse characteristics (such as stall, surge, or flame-out) are present, to a hazardous degree, during normal and emergency operation within the range of operation limitations of the aeroplane and of the APU.

(b) Reserved

(c) The APU air inlet system may not, as a result of air-flow distortion during normal operation, cause vibration harmful to the APU.

(d) It must be established over the range of operating conditions for which certification is required, that the APU installation vibratory conditions do not exceed the critical frequencies and amplitudes established under CS-APU 120.

[Amdt. No.: 25/1]

CS 25J943 Negative acceleration
(See AMC 25J943.)

No hazardous malfunction of an APU or any component or system associated with the APU may occur when the aeroplane is operated at the negative accelerations within the flight envelopes prescribed in CS 25.333. This must be shown for the greatest duration expected for the acceleration.

[Amdt. No.: 25/1]

FUEL SYSTEM**CS 25J951 General**

(a) Each fuel system must be constructed and arranged to ensure a flow of fuel at a rate and pressure established for proper APU functioning under each likely operating condition, including any manoeuvre for which certification is requested and during which the APU is permitted to be in operation.

(b) For essential APUs:

Each fuel system must be arranged so that any air which is introduced into the system will not result in flameout.

(c) For essential APUs:

Each fuel system for an essential APU must be capable of sustained operation throughout its flow and pressure range with fuel initially saturated with water at 26.7 °C and having 0.20 cm³ of free water per liter added and cooled to the most critical condition for icing likely to be encountered in operation.

[Amdt. No.: 25/1]

[Amdt. No.: 25/9]

CS 25J952 Fuel system analysis and test

(a) Proper fuel system functioning under all probable operating conditions must be shown by analysis and those tests found necessary by the Agency. Tests, if required, must be made using the aeroplane fuel system or a test article that reproduces the operating characteristics of the portion of the fuel system to be tested.

(b) The likely failure of any heat exchanger using fuel as one of its fluids may not result in a hazardous condition.

[Amdt. No.: 25/1]

CS 25J953 Fuel system independence

Each fuel system must allow the supply of fuel to the APU:

(a) Through a system independent of each part of the system supplying fuel to the main engines; or

(b) From the fuel supply to the main engine if provision is made for a shut-off means to isolate the APU fuel line.

[Amdt. No.: 25/1]

CS 25J955 Fuel flow

(a) Each fuel system must provide at least 100 percent of the fuel flow required by the APU under each intended operating condition and manoeuvre. Compliance must be shown as follows:

(1) Fuel must be delivered at a pressure within the limits specified for the APU.

(2) For essential APUs:

CS-25 BOOK 1

(i) The quantity of fuel in the tank may not exceed the amount established as the unusable fuel supply for that tank under the requirements of CS 25.959 plus that necessary to show compliance with this paragraph.

(ii) Each main pump must be used that is necessary for each operating condition and attitude for which compliance with this paragraph is shown, and the appropriate emergency pump must be substituted for each main pump so used.

(iii) If there is a fuel flowmeter, it must be blocked and the fuel must flow through the meter or its bypass. (See AMC 25J955(a)(2)(iii).)

(b) For essential APUs:

If an APU can be supplied with fuel from more than one tank, the fuel system must, in addition to having appropriate manual switching capability, be designed to prevent interruption of fuel flow to that APU, without attention by the flight crew, when any tank supplying fuel to that APU is depleted of usable fuel during normal operation, and any other tank, that normally supplies fuel to that APU, contains usable fuel.

[Amdt. No.: 25/1]

CS25J961 Fuel system hot weather operation

For essential APUs:

(a) The fuel supply of an APU must perform satisfactorily in hot weather operation. It must be shown that the fuel system from the tank outlet to the APU is pressurised under all intended operations so as to prevent vapour formation. Alternatively, it must be shown that there is no evidence of vapour lock or other malfunctioning during a climb from the altitude of the airport selected by the applicant to the maximum altitude established as an operating limitation under CS 25J1527, with the APU operating at the most critical conditions for vapour formation but not exceeding the maximum essential load conditions. If the fuel supply is dependant on the same fuel pumps or fuel supply as the main engines, the main engines must be operated at maximum continuous power. The fuel temperature must be at least 43°C at the start of the climb.

(b) The test prescribed in sub-paragraph (a) of this paragraph may be performed in flight or on the ground under closely simulated flight

conditions. If a flight test is performed in weather cold enough to interfere with the proper conduct of the test, the fuel tank surfaces, fuel lines, and other fuel system parts subject to cold air must be insulated to simulate, insofar as practicable, flight in hot weather.

[Amdt. No.: 25/1]

CS 25J977 Fuel tank outlet

For essential APUs:

(a) There must be a fuel strainer for the fuel tank outlet or for the booster pump. This strainer must prevent the passage of any object that could restrict fuel flow or damage any fuel system component.

(b) The clear area of each fuel tank outlet strainer must be at least five times the area of the outlet line.

(c) The diameter of each strainer must be at least that of the fuel tank outlet.

(d) Each finger strainer must be accessible for inspection and cleaning.

[Amdt. No.: 25/1]

CS 25J991 Fuel pumps
(See AMC 25J991)

For essential APUs:

(a) Main pumps. Each fuel pump required for proper essential APU operation, or required to meet the fuel system requirements of this subpart (other than those in sub-paragraph (b) of this paragraph), is a main pump. For each main pump, provision must be made to allow the bypass of each positive displacement fuel injection pump other than a fuel pump approved as part of the APU.

(b) Emergency pumps. There must be emergency pumps or another main pump to feed an essential APU immediately after failure of any main pump (other than a fuel pump approved as part of the APU).

[Amdt. No.: 25/1]

[Amdt. No.: 25/5]

CS-25 BOOK 1**CS 25J993 Fuel system lines and fittings**

(a) Each fuel line must be installed and supported to prevent excessive vibration and to withstand loads due to fuel pressure and accelerated flight conditions.

(b) Each fuel line connected to components of the aeroplane between which relative motion could exist must have provisions for flexibility.

(c) Each flexible connection in fuel lines that may be under pressure and subjected to axial loading must use flexible hose assemblies.

(d) Flexible hose must be approved or must be shown to be suitable for the particular application.

(e) No flexible hose that might be adversely affected by exposure to high temperatures may be used where excessive temperatures will exist during operation or after an APU shut-down.

(f) Each fuel line within the fuselage must be designed and installed to allow a reasonable degree of deformation and stretching without leakage.

[Amdt. No.: 25/1]

CS 25J994 Fuel system components

Fuel system components in an APU compartment or in the fuselage must be protected from damage which could result in spillage of enough fuel to constitute a fire hazard as a result of a wheels-up landing on a paved runway under each of the conditions prescribed in CS 25.721(b).

[Amdt. No.: 25/1,3]

CS 25J995 Fuel valves

In addition to the requirements of CS 25J1189 for shut-off means, each fuel valve must be supported so that no loads resulting from their operation or from accelerated flight conditions are transmitted to the lines attached to the valve, unless adequate strength margins under all loading conditions are provided in the lines and connections.

[Amdt. No.: 25/1]

CS 25J997 Fuel strainer or filter

For essential APUs:
There must be a fuel strainer or filter between the fuel tank outlet and the inlet of either the fuel

metering device or an APU driven positive displacement pump, whichever is nearer the fuel tank outlet. This fuel strainer or filter must:

(a) Be accessible for draining and cleaning and must incorporate a screen or element which is easily removable;

(b) Have a sediment trap and drain except that it need not have a drain if the strainer or filter is easily removable for drain purposes;

(c) Be mounted so that its weight is not supported by the connecting lines or by the inlet or outlet connections of the strainer or filter itself, unless adequate strength margins under all loading conditions are provided in the lines and connections; and

(d) Have the capacity (with respect to operating limitations established for the APU) to ensure that APU fuel system functioning is not impaired, with the fuel contaminated to a degree (with respect to particle size and density) that is greater than that established for the APU in CS-APU 250.

[Amdt. No.: 25/1]

OIL SYSTEM**CS 25J1011 Oil System General**

(a) Each APU must have an independent oil system that can supply it with an appropriate quantity of oil at a temperature not above that safe for continuous operation.

(b) The usable oil capacity may not be less than the product of the endurance of the aeroplane and the maximum allowable oil consumption of the APU plus a suitable margin to ensure system circulation.

[Amdt. No.: 25/1]

CS 25J1017 Oil lines and fittings

(a) Each oil line must meet the requirements of CS 25J993 and each oil line and fitting in any designated fire zone must meet the requirements of CS 25J1183.

(b) Breather lines must be arranged so that:

(1) Condensed water vapour that might freeze and obstruct the line cannot accumulate at any point;

(2) The breather discharge does not constitute a fire hazard;

CS-25 BOOK 1

(3) The breather does not discharge into the APU air intake system.

[Amdt. No.: 25/1]

CS 25J1019 Oil filter

Where there is a filter in the APU lubrication system through which all the oil flows, it must be constructed and installed so that oil may flow at an acceptable rate through the rest of the system with the filter element completely blocked. An impending filter by-pass indication is required.

[Amdt. No.: 25/1]

CS 25J1021 Oil system drains

A drain (or drains) must be provided to allow safe drainage of the oil system. Each drain must:

- (a) Be accessible; and
- (b) Have manual or automatic means for positive locking in the closed position.

[Amdt. No.: 25/1]

CS 25J1023 Oil radiators

Each oil radiator must be able to withstand, without failure, any vibration, inertia, and oil pressure load to which it would be subjected in operation.

[Amdt. No.: 25/1]

CS 25J1025 Oil valves

(a) Each oil shut-off must meet the requirements of CS 25J1189.

(b) Each oil valve must have positive stops or suitable index provisions in the "on" and "off" positions and must be supported so that no loads resulting from its operation or from accelerated flight conditions are transmitted to the lines attached to the valve, unless adequate strength margins under all loading conditions are provided in the lines and connections.

[Amdt. No.: 25/1]

COOLING**CS 25J1041 General**
(See AMC 25J1041.)

The APU cooling provisions must be able to maintain the temperatures of APU components and fluids within the temperature limits established for these components and fluids, under critical ground and flight operating conditions, and after normal APU shutdown.

[Amdt. No.: 25/1]

CS 25J1043 Cooling tests

(a) General. Compliance with CS 25J1041 must be shown by tests, under critical conditions. For these tests, the following apply:

(1) If the tests are conducted under conditions deviating from the maximum ambient atmospheric temperature, the recorded APU temperatures must be corrected under sub-paragraph (c) of this paragraph.

(2) No corrected temperatures determined under sub-paragraph (a)(1) of this paragraph may exceed established limits.

(b) Maximum ambient atmospheric temperature. A maximum ambient atmospheric temperature corresponding to sea level conditions must be established. The temperature lapse rate is 2.0°C per 300 metres of altitude above sea level until a temperature of -56.5°C is reached, above which altitude, the temperature is considered constant at -56.5°C.

(c) Correction factor. Unless a more rational correction applies, temperatures of APU fluids and components for which temperature limits are established, must be corrected by adding to them the difference between the maximum ambient atmospheric temperature and the temperature of the ambient air at the time of the first occurrence of the maximum component or fluid temperature recorded during the cooling test.

[Amdt. No.: 25/1]

CS 25J1045 Cooling test procedures

(a) Compliance with CS 25J1041 must be shown for the critical conditions that correspond to the applicable performance requirements. The cooling tests must be conducted with the aeroplane in the configuration, and operating under the conditions that are critical relative to cooling. For the cooling tests, a temperature is 'stabilised' when its rate of change is less than 1°C per minute.

CS-25 BOOK 1

(b) Temperatures must be stabilised prior to entry into each critical condition being investigated, unless the entry condition normally is not one during which component and APU fluid temperatures would stabilise (in which case, operation through the full entry condition must be conducted before entry into the critical condition being investigated in order to allow temperatures to reach their natural levels at the time of entry).

(c) Cooling tests for each critical condition must be continued until:

- (1) The component and APU fluid temperatures stabilise;
- (2) The stage of flight is completed; or
- (3) An operating limitation is reached.

[Amdt. No.: 25/1]

AIR INTAKE AND BLEED AIR DUCT SYSTEMS

CS 25J1091 Air intake

The air intake system for the APU:

(a) Must supply the air required by the APU under each operating condition for which certification is requested,

(b) May not draw air from within the APU compartment or other compartments unless the inlet is isolated from the APU accessories and power section by a firewall,

(c) Must have means to prevent hazardous quantities of fuel leakage or overflow from drains, vents, or other components of flammable fluid systems from entering,

(d) Must be designed to prevent water or slush on the runway, taxiway, or other airport operating surface from being directed into the air intake system in hazardous quantities,

(e) Must be located or protected so as to minimise the ingestion of foreign matter during takeoff, landing, and taxiing.

[Amdt. No.: 25/1]

CS 25J1093 Air intake system icing protection

(a) Each non-essential APU air intake system, including any screen if used, which does not comply with CS 25J1093(b) will be restricted to use in non-icing conditions, unless it

can be shown that the APU complete with air intake system, if subjected to icing conditions, will not affect the safe operation of the aeroplane.

(b) For essential APUs:

Each essential APU air intake system, including screen if used, must enable the APU to operate over the range of conditions for which certification is required without adverse effect or serious loss of power (see AMC 25J1093(b)):

Under the icing conditions specified in Appendix C; and

In falling and blowing snow within the limitations established for the aeroplane for such operations.

[Amdt. No.: 25/1]

CS 25J1103 Air intake system ducts

(a) Each air intake system duct must be:

(1) Drained to prevent accumulation of hazardous quantities of flammable fluid and moisture in the ground attitude. The drain(s) must not discharge in locations that might cause a fire hazard; and

(2) Constructed of materials that will not absorb or trap sufficient quantities of flammable fluids such as to create a fire hazard.

(b) Each duct must be:

(1) Designed to prevent air intake system failures resulting from reverse flow, APU surging, or inlet door closure; and

(2) Fireproof within the APU compartment and for a sufficient distance upstream of the APU compartment to prevent hot gases reverse flow from burning through the APU air intake system ducts and entering any other compartment or area of the aeroplane in which a hazard would be created resulting from the entry of hot gases.

The materials used to form the remainder of the air intake system duct and plenum chamber of the APU must be capable of resisting the maximum heat conditions likely to occur.

(c) Each duct connected to components between which relative motion could exist must have means for flexibility.

[Amdt. No.: 25/1]

CS-25 BOOK 1**CS 25J1106 Bleed air duct systems**

(a) For APU bleed air duct systems, no hazard may result if a duct failure occurs at any point between the air duct source and the aeroplane unit served by the bleed air.

(b) Each duct connected to components between which relative motion could exist must have a means for flexibility.

(c) Where the airflow delivery from the APU and main engine is delivered to a common manifold system, precautions must be taken to minimise the possibility of a hazardous condition due to reverse airflow through the APU resulting from malfunctions of any component in the system.

[Amdt. No.: 25/1]

flammable fluids or vapours external to the shroud.

[Amdt. No.: 25/1]

CS 25J1123 Exhaust piping

(a) Exhaust piping must be heat and corrosion resistant, and must have provisions to prevent failure due to expansion by operating temperatures.

(b) Piping must be supported to withstand any vibration and inertia loads to which it would be subjected in operation; and

(c) Piping connected to components between which relative motion could exist must have means for flexibility.

[Amdt. No.: 25/1]

EXHAUST SYSTEM**CS 25J1121 General**

(a) Each exhaust system must ensure safe disposal of exhaust gases without fire hazard or carbon monoxide contamination in any personnel compartment. For test purposes, any acceptable carbon monoxide detection method may be used to show the absence of carbon monoxide.

(b) Each exhaust system part with a surface hot enough to ignite flammable fluids or vapours must be located or shielded so that leakage from any system carrying flammable fluids or vapours will not result in a fire caused by impingement of the fluids or vapours on any part of the exhaust system including shields for the exhaust system.

(c) Each component that hot exhaust gases could strike, or that could be subjected to high temperatures from exhaust system parts, must be fireproof. All exhaust system components must be separated by fireproof shields from adjacent parts of the aeroplane that are outside the APU compartment.

(d) No exhaust gases may discharge so as to cause a fire hazard with respect to any flammable fluid vent or drain.

(e) Reserved

(f) Each exhaust system component must be ventilated to prevent points of excessively high temperature.

(g) Each exhaust shroud must be ventilated or insulated to avoid, during normal operation, a temperature high enough to ignite any

APU CONTROLS AND ACCESSORIES**CS 25J1141 APU controls**

(a) Means must be provided on the flight deck for starting, stopping, and emergency shutdown of each installed APU. Each control must:

(1) Be located, arranged, and designed under CS 25.777(a)(b)(c)(d) and marked under CS 25.1555(a); and

(2) Be located so that it cannot be inadvertently operated by persons entering, leaving, or moving normally on the flight deck; and

(3) Be able to maintain any set position without constant attention by flight crew members and without creep due to control loads or vibration; and

(4) Have sufficient strength and rigidity to withstand operating loads without failure and without excessive deflection; and

(5) For flexible controls, be approved or must be shown to be suitable for the particular application.

(b) APU valve controls located in the flight deck must have:

(1) For manual valves, positive stops or, in the case of fuel valves, suitable index provisions in the open and closed positions,

(2) In the case of valves controlled from the flight deck other than by mechanical means, where the correct functioning of the

CS-25 BOOK 1

valve is essential for the safe operation of the aeroplane, a valve position indicator which senses directly that the valve has attained the position selected must be provided, unless other indications in the flight deck give the flight crew a clear indication that the valve has moved to the selected position. A continuous indicator need not be provided.

(c) For unattended operation, the APU installation must:

(1) Provide means to automatically shutdown the APU for the following conditions:

(i) Exceedence of any APU parameter limit or existence of a detectable hazardous APU operating condition; and

(ii) Bleed air duct failure between the APU and aeroplane unit served by the bleed air, unless it can be shown that no hazard exists to the aeroplane.

(2) Provide means to automatically shut off flammable fluids per CS 25J1189 in case of fire in the APU compartment.

(d) APU controls located elsewhere on the aeroplane, which are in addition to the flight deck controls, must meet the following requirements:

(1) Each control must be located so that it cannot be inadvertently operated by persons entering, leaving, or moving normally in the area of the control; and

(2) Each control must be able to maintain any set position without creep due to control loads, vibration, or other external forces resulting from the location.

(e) The portion of each APU control located in a designated fire zone that is required to be operated in the event of a fire must be at least fire resistant.

[Amdt. No.: 25/1]

CS 25J1163 APU accessories

(a) APU mounted accessories must be approved for installation on the APU concerned and use the provisions of the APU for mounting.

(b) Electrical equipment subject to arcing or sparking must be installed to minimise the probability of contact with any flammable fluids or vapours that might be present in a free state.

(c) For essential APUs:

If continued rotation of a failed aeroplane accessory driven by the APU affects the safe operation of the aeroplane, there must be means to prevent rotation without interfering with the continued operation of the APU.

[Amdt. No.: 25/1]

CS 25J1165 APU ignition systems

Each APU ignition system must be independent of any electrical circuit except those used for assisting, controlling, or analysing the operation of that system.

[Amdt. No.: 25/1]

APU FIRE PROTECTION**CS 25J1181 Designated fire zone**

(a) Any APU compartment is a designated fire zone.

(b) Each designated fire zone must meet the requirements of CS 25J1185 through CS 25J1203.

[Amdt. No.: 25/1]

CS 25J1183 Lines, fittings and components

(a) Except as provided in sub-paragraph (b) of this paragraph, each line, fitting, and other component carrying flammable fluid in any area subject to APU fire conditions, and each component which conveys or contains flammable fluid in a designated fire zone must be fire resistant, except that flammable fluid tanks and supports in a designated fire zone must be fireproof or be enclosed by a fireproof shield unless damage by fire to any non-fireproof part will not cause leakage or spillage of flammable fluid. Components must be shielded or located to safeguard against the ignition of leaking flammable fluid.

(b) Sub-paragraph (a) of this paragraph does not apply to:

(1) Lines and fittings already approved as part of an APU, and

(2) Vent and drain lines, and their fittings, whose failure will not result in, or add to, a fire hazard.

(c) All components, including ducts, within a designated fire zone which, if damaged by fire could result in fire spreading to other regions of

CS-25 BOOK 1

the aeroplane, must be fireproof. Those components within a designated fire zone, which could cause unintentional operation of, or inability to operate essential services or equipment, must be fireproof.

[Amdt. No.: 25/1]

CS 25J1185 Flammable fluids

(a) No tank or reservoir that is a part of a system containing flammable fluids or gases may be in a designated fire zone unless the fluid contained, the design of the system, the materials used in the tank, the shut-off means, and all connections, lines, and controls provide a degree of safety equal to that which would exist if the tank or reservoir were outside such a zone.

(b) There must be at least 12,7 mm of clear airspace between each tank or reservoir and each firewall or shroud isolating a designated fire zone.

(c) Absorbent materials close to flammable fluid system components that might leak must be covered or treated to prevent the absorption of hazardous quantities of fluids.

[Amdt. No.: 25/1]

CS 25J1187 Drainage and ventilation of fire zones

(a) There must be complete drainage of each part of each designated fire zone to minimise the hazards resulting from failure or malfunctioning of any component containing flammable fluids. The drainage means must be:

(1) Effective under conditions expected to prevail when drainage is needed; and

(2) Arranged so that no discharged fluid will cause an additional fire hazard.

(b) Each designated fire zone must be ventilated to prevent the accumulation of flammable vapours.

(c) No ventilation opening may be where it would allow the entry of flammable fluids, vapours, or flame from other zones.

(d) Each ventilation means must be arranged so that no discharged vapours will cause an additional fire hazard.

(e) Unless the extinguishing agent capacity and rate of discharge are based on maximum air flow through a zone, there must be means to

allow the crew to shut off sources of forced ventilation to any fire zone.

[Amdt. No.: 25/1]

CS 25J1189 Shut-off means
(See AMC 25.1189)

(a) Each APU compartment specified in CS 25J1181(a) must have a means to shut-off or otherwise prevent hazardous quantities of flammable fluids, from flowing into, within, or through any designated fire zone, except that shut-off means are not required for:

(1) Lines, fittings and components forming an integral part of an APU; and

(2) Oil systems for APU installations in which all external components of the oil system, including the oil tanks, are fireproof.

(b) The closing of any fuel shut-off valve for any APU may not make fuel unavailable to the main engines.

(c) Operation of any shut-off may not interfere with the later emergency operation of other equipment.

(d) Each flammable fluid shut-off means and control must be fireproof or must be located and protected so that any fire in a fire zone will not affect its operation.

(e) No hazardous quantity of flammable fluid may drain into any designated fire zone after shut-off.

(f) There must be means to guard against inadvertent operation of the shut-off means and to make it possible for the crew to reopen the shut-off means in flight after it has been closed.

(g) Each tank to APU shut-off valve must be located so that the operation of the valve will not be affected by the APU mount structural failure.

(h) Each shut-off valve must have a means to relieve excessive pressure accumulation unless a means for pressure relief is otherwise provided in the system.

[Amdt. No.: 25/1]

CS 25J1191 Firewalls

(a) Each APU must be isolated from the rest of the aeroplane by firewalls, shrouds, or equivalent means.

(b) Each firewall and shroud must be:

(1) Fireproof;

CS-25 BOOK 1

(2) Constructed so that no hazardous quantity of air, fluid, or flame can pass from the compartment to other parts of the aeroplane;

(3) Constructed so that each opening is sealed with close fitting fireproof grommets, bushings, or firewall fittings; and

(4) Protected against corrosion.

[Amdt. No.: 25/1]

CS 25J1193 APU compartment

(a) Each compartment must be constructed and supported so that it can resist any vibration, inertia, and air load to which it may be subjected in operation.

(b) Each compartment must meet the drainage and ventilation requirements of CS 25J1187.

(c) Reserved

(d) Each part of the compartment subject to high temperatures due to its nearness to exhaust system parts or exhaust gas impingement must be fireproof.

(e) Each aeroplane must:

(1) Be designed and constructed so that no fire originating in any APU fire zone can enter, either through openings or by burning through external skin, any other zone or region where it would create additional hazards,

(2) Meet sub-paragraph (e)(1) of this paragraph with the landing gear retracted (if applicable), and

(3) Have APU compartment external skins, in areas subject to flame if a fire starts in an APU fire zone, complying with the following:

(i) For in-flight operations, APU compartment external skins must be fireproof in the complete concerned areas, and

(ii) For ground operations, APU compartment external skins must be:

(a) Fireproof in the portions of the concerned areas where a skin burn through would affect critical areas of the aeroplane, and

(b) Fire-resistant or compliant with subparagraph (e)(1) of this paragraph in the remaining portions of the concerned areas.

(See AMC 25.1193(e))

[Amdt No: 25/1]

[Amdt No: 25/13]

CS 25J1195 Fire extinguisher systems

(a) There must be a fire extinguisher system serving the APU compartment.

(b) The fire extinguishing system, the quantity of the extinguishing agent, the rate of discharge, and the discharge distribution must be adequate to extinguish fires. An individual 'one shot' system is acceptable. (See AMC 25J1195(b).)

(c) The fire-extinguishing system for an APU compartment must be able to simultaneously protect each zone of the APU compartment for which protection is provided.

[Amdt. No.: 25/1]

CS 25J1197 Fire extinguishing agents

(a) Fire extinguishing agents must:

(1) Be capable of extinguishing flames emanating from any burning of fluids or other combustible materials in the area protected by the fire extinguishing system; and

(2) Have thermal stability over the temperature range likely to be experienced in the compartment in which they are stored.

(b) If any toxic extinguishing agent is used, provisions must be made to prevent harmful concentrations of fluid or fluid vapours (from leakage during normal operation of the aeroplane or as a result of discharging the fire extinguisher on the ground or in flight) from entering any personnel compartment, even though a defect may exist in the extinguishing system.

[Amdt. No.: 25/1]

CS 25J1199 Extinguishing agent containers

(a) Each extinguishing agent container must have a pressure relief to prevent bursting of the container by excessive internal pressures.

(b) The discharge end of each discharge line from a pressure relief connection must be located so that discharge of the fire extinguishing agent would not damage the aeroplane. The line must be located or protected to prevent clogging caused by ice or other foreign matter.

CS-25 BOOK 1

(c) There must be a means for each fire extinguishing agent container to indicate that the container has discharged or that the charging pressure is below the established minimum necessary for proper functioning.

(d) The temperature of each container must be maintained, under intended operating conditions, to prevent the pressure in the container from:

(1) Falling below that necessary to provide an adequate rate of discharge; or

(2) Rising high enough to cause premature discharge.

(e) If a pyrotechnic capsule is used to discharge the extinguishing agent, each container must be installed so that temperature conditions will not cause hazardous deterioration of the pyrotechnic capsule.

[Amdt. No.: 25/1]

CS 25J1201 Fire extinguishing system materials

(a) No material in any fire extinguishing system may react chemically with any extinguishing agent so as to create a hazard.

(b) Each system component in an APU compartment must be fireproof.

[Amdt. No.: 25/1]

CS 25J1203 Fire-detector system

(a) There must be approved, quick acting fire or overheat detectors in each APU compartment in numbers and locations ensuring prompt detection of fire.

(b) Each fire detector system must be constructed and installed so that:

(1) It will withstand the vibration, inertia, and other loads to which it may be subjected in operation;

(2) There is a means to warn the crew in the event that the sensor or associated wiring within a designated fire zone is severed at one point, unless the system continues to function as a satisfactory detection system after the severing; and

(3) There is a means to warn the crew in the event of a short circuit in the sensor or associated wiring within a designated fire zone, unless the system continues to function

as a satisfactory detection system after the short circuit.

(c) No fire or overheat detector may be affected by any oil, water, other fluids, or fumes that might be present.

(d) There must be means to allow the crew to check, in flight, the functioning of each fire or overheat detector electric circuit.

(e) Wiring and other components of each fire or overheat detector system in a fire zone must be at least fire-resistant.

(f) No fire or overheat detector system component for any fire zone may pass through another fire zone, unless:

(1) It is protected against the possibility of false warnings resulting from fires in zones through which it passes; or

(2) Each zone involved is simultaneously protected by the same detector and extinguishing system.

(g) Each fire detector system must be constructed so that when it is in the configuration for installation it will not exceed the alarm activation time approved for the detectors using the response time criteria specified in ETSO-2C11e or an acceptable equivalent, for the detector.

[Amdt. No.: 25/1]

CS 25J1207 Compliance

Unless otherwise specified, compliance with the requirements of CS 25J1181 through CS 25J1203 must be shown by a full scale test or by one or more of the following methods:

(a) Tests of similar APU installations.

(b) Tests of components.

(c) Service experience of aircraft with similar APU installations.

(d) Analysis unless tests are specifically required.

[Amdt. No.: 25/1]

GENERAL

CS 25J1305 APU instruments

(a) The following instruments are required for all installation:

(1) A fire warning indicator.

CS-25 BOOK 1

(2) An indication that an APU auto-shutdown has occurred.

(3) Any other instrumentation necessary to assist the flight crew in:

(i) Preventing the exceedance of established APU limits, and

(ii) Maintaining continued safe operation of the APU.

(4) Instrumentation per subparagraph (3) need not be provided if automatic features of the APU and its installation provide a degree of safety equal to having the parameter displayed directly.

(b) For essential APUs:

In addition to the items required by CS 25J1305(a), the following indicators are required for an essential APU installation :

(1) An indicator to indicate the functioning of the ice protection system, if such a system is installed; and

(2) An indicator to indicate the proper functioning of any heater used to prevent ice clogging of fuel system components.

[Amdt. No.: 25/1]

CS 25J1337 APU instruments

(a) Reserved

(b) Reserved

(c) Reserved

(d) There must be a stick gauge or equivalent means to indicate the quantity of oil in each tank.

[Amdt. No.: 25/1]

OPERATING LIMITATIONS**CS 25J1501 General**

(a) Reserved

(b) The operating limitations and other information necessary for safe operation must be made available to the crew members as prescribed in CS 25J1549, 25J1551, and 25J1583.

[Amdt. No.: 25/1]

CS 25J1521 APU limitations

The APU limitations must be established so that they do not exceed the corresponding approved limits for the APU and its systems. The APU limitations, including categories of operation, must be specified as operating limitations for the aeroplane.

[Amdt. No.: 25/1]

CS 25J1527 Ambient air temperature and operating altitude

The extremes of the ambient air temperature and operating altitude for which operation is allowed, as limited by flight, structural, APU installation, functional, or equipment characteristics, must be established.

[Amdt. No.: 25/1]

MARKINGS AND PLACARDS**CS 25J1549 APU instruments**

For each APU instrument either a placard or colour markings or an acceptable combination must be provided to convey information on the maximum and (where applicable) minimum operating limits. Colour coding must comply with the following:

(a) Each maximum and, if applicable, minimum safe operating limit must be marked with a red radial or a red line;

(b) Each normal operating range must be marked with a green arc or green line, not extending beyond the maximum and minimum safe limits;

(c) Each precautionary operating range must be marked with a yellow arc or a yellow line; and

(d) Each APU speed range that is restricted because of excessive vibration stresses must be marked with red arcs or red lines.

[Amdt. No.: 25/1]

CS 25J1551 Oil quantity indicator

Each oil quantity indicator must be marked with enough increments to indicate readily and accurately the quantity of oil.

[Amdt. No.: 25/1]

CS-25 BOOK 1

**CS 25J1557 Miscellaneous markings
and placards**

- (a) Reserved
- (b) APU fluid filler openings. The following applies:
 - (1) Reserved
 - (2) Oil filler openings must be marked at or near the filler cover with the word "oil".

[Amdt. No.: 25/1]

AEROPLANE FLIGHT MANUAL

CS 25J1583 Operating limitations

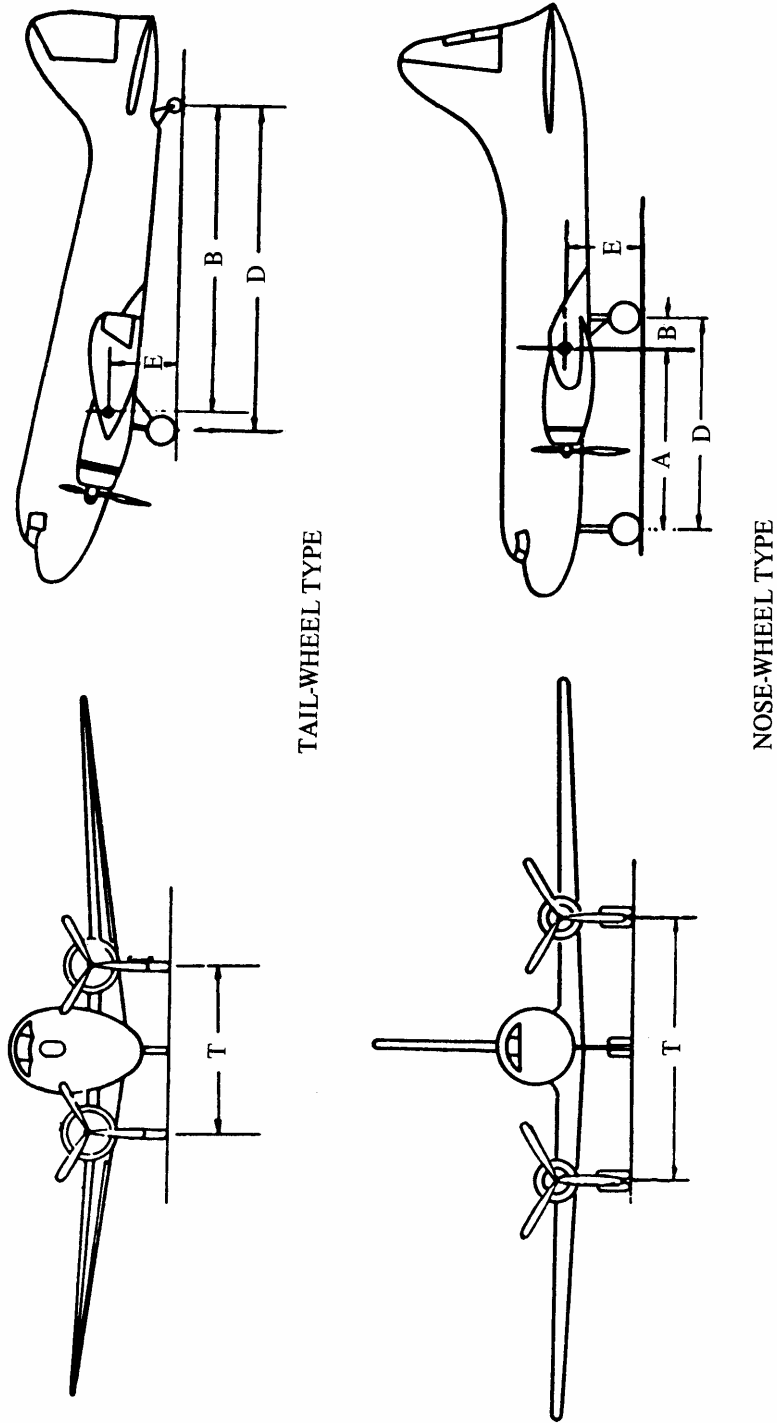
APU limitations established under CS 25J1521 and information to explain the instrument markings provided under CS 25J1549 and CS 25J1551 must be furnished.

[Amdt. No.: 25/1]

CS-25 BOOK 1

APPENDICES

Appendix A



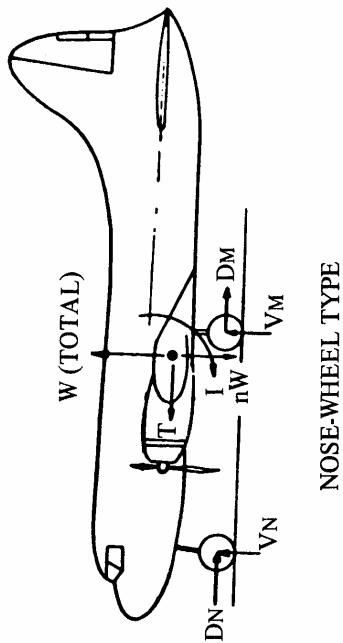
TAIL-WHEEL TYPE

NOSE-WHEEL TYPE

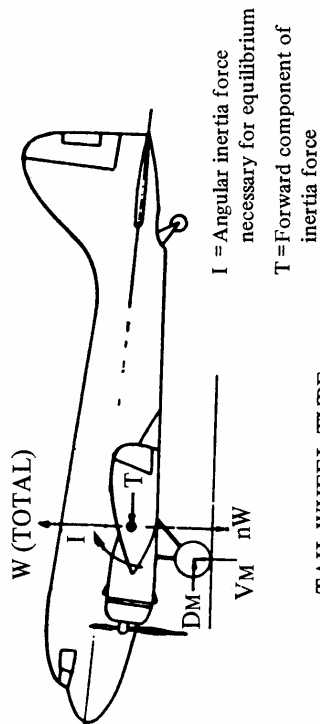
FIGURE 1 BASIC LANDING GEAR DIMENSION DATA

CS-25 BOOK 1

Appendix A (continued)



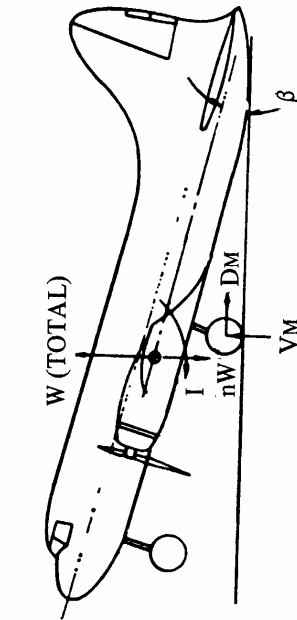
NOSE-WHEEL TYPE



I = Angular inertia force
necessary for equilibrium
T = Forward component of
inertia force

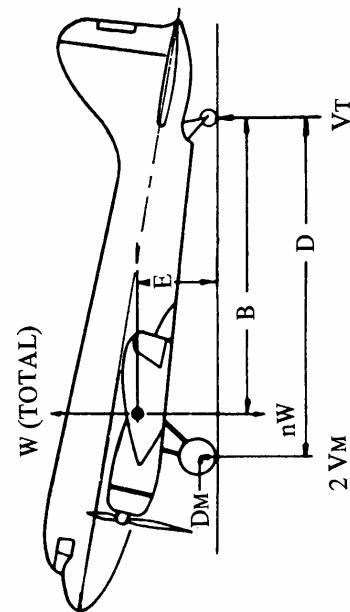
TAIL-WHEEL TYPE

FIGURE 2 LEVEL LANDING



β = Angle for main gear and tail structure
contacting ground except need not
exceed stall angle.

NOSE-WHEEL TYPE



TAIL-WHEEL TYPE

FIGURE 3 TAIL-DOWN LANDING

CS-25 BOOK 1

Appendix A (continued)

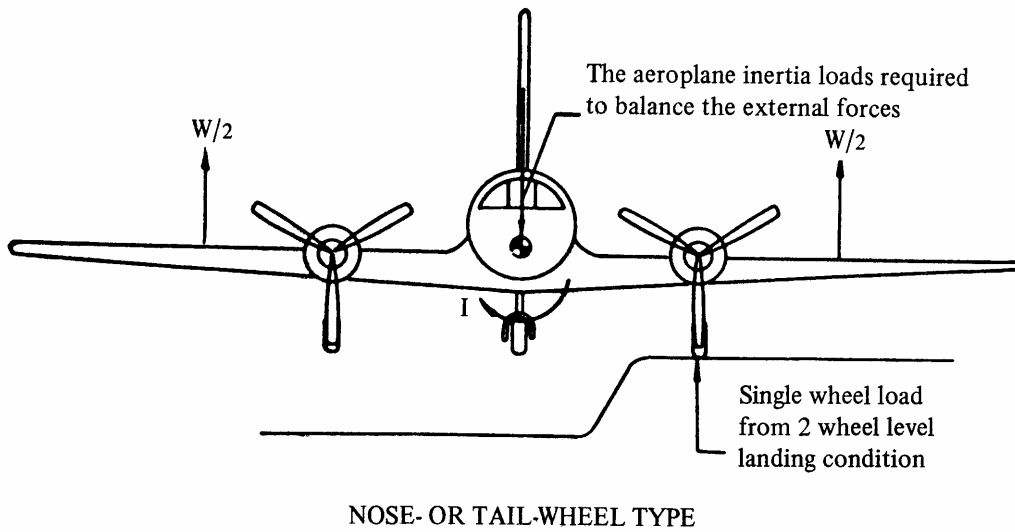
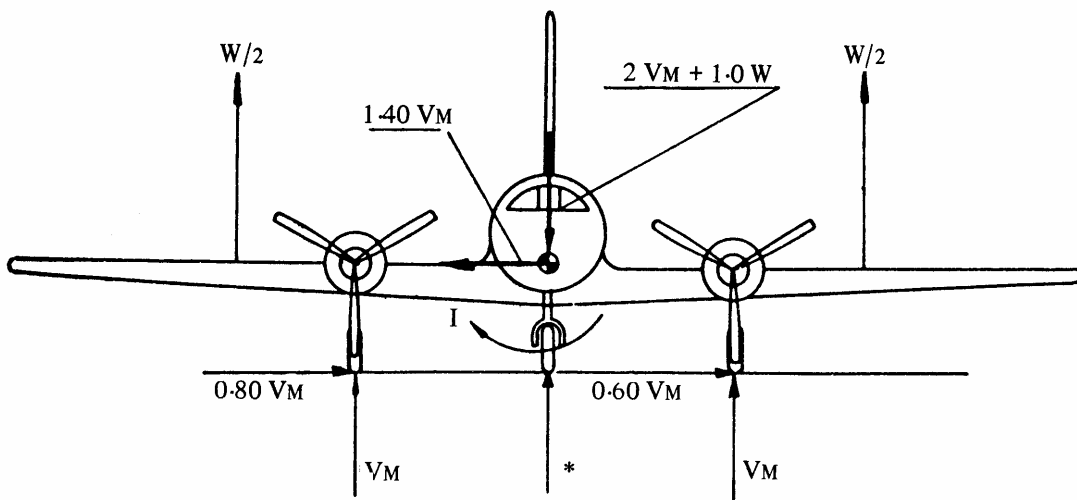


FIGURE 4 ONE-WHEEL LANDING



V_M = One-half the maximum vertical ground reaction obtained at each main gear in the level landing conditions.

*Nose-gear ground reaction = 0

NOSE- OR TAIL-WHEEL TYPE AEROPLANE IN LEVEL ATTITUDE

FIGURE 5 LATERAL DRIFT LANDING

CS-25 BOOK 1

Appendix A (continued)

T = inertia force necessary to balance the wheel drag
 *DN = 0 unless nose wheel is equipped with brakes
 For design of main gear $V_N = 0$
 For design of nose gear $I = 0$

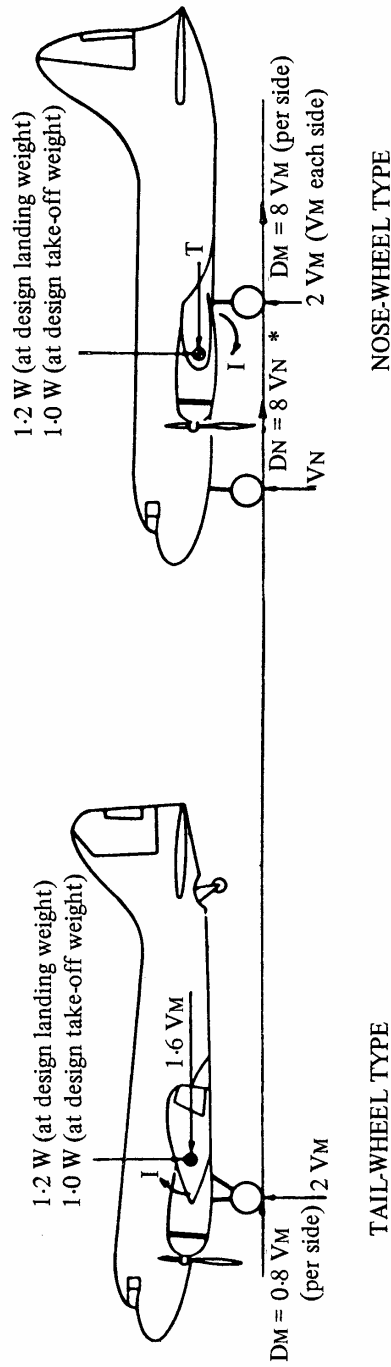


FIGURE 6 BRAKED ROLL

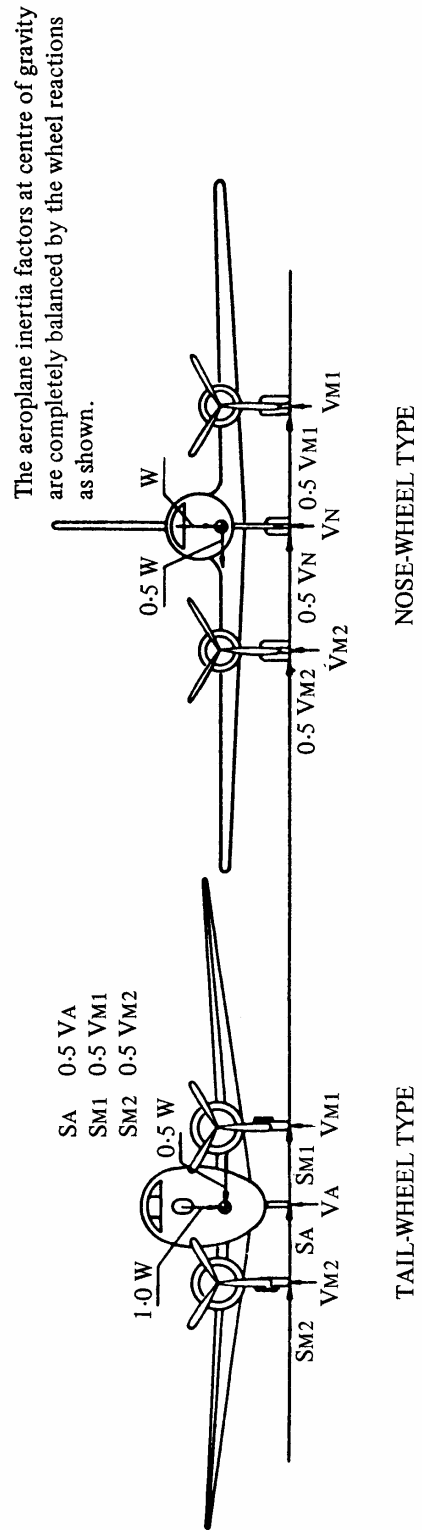
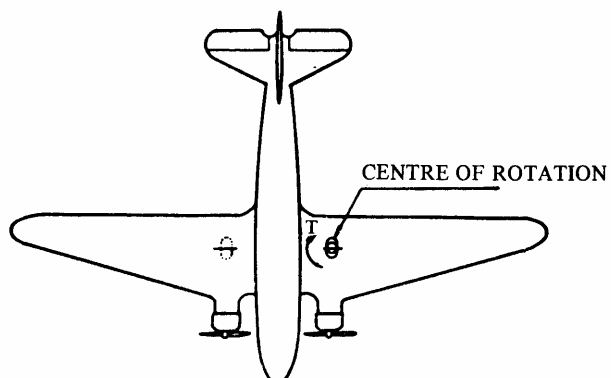


FIGURE 7 GROUND TURNING

CS-25 BOOK 1

Appendix A (continued)



VN AND VM ARE STATIC GROUND REACTIONS. FOR TAIL-WHEEL TYPE THE AEROPLANE IS IN THE THREE POINT ATTITUDE. PIVOTING IS ASSESSED TO TAKE PLACE ABOUT ONE MAIN LANDING GEAR UNIT.

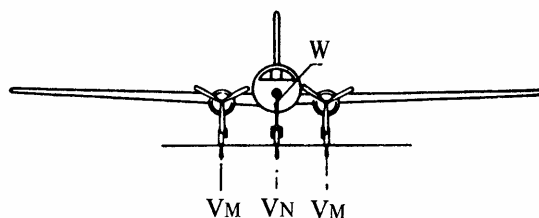


FIGURE 8 PIVOTING, NOSE- OR TAIL-WHEEL TYPE

CS-25 BOOK 1

Appendix C

Part I - Atmospheric Icing Conditions

(a) *Continuous maximum icing.* The maximum continuous intensity of atmospheric icing conditions (continuous maximum icing) is defined by the variables of the cloud liquid water content, the mean effective diameter of the cloud droplets, the ambient air temperature, and the interrelationship of these three variables as shown in Figure 1 of this Appendix. The limiting icing envelope in terms of altitude and temperature is given in Figure 2 of this Appendix. The interrelationship of cloud liquid water content with drop diameter and altitude is determined from Figures 1 and 2. The cloud liquid water content for continuous maximum icing conditions of a horizontal extent, other than 32.2 km (17.4 nautical miles), is determined by the value of liquid water content of Figure 1, multiplied by the appropriate factor from Figure 3 of this Appendix.

(b) *Intermittent maximum icing.* The intermittent maximum intensity of atmospheric icing conditions (intermittent maximum icing) is defined by the variables of the cloud liquid water content, the mean effective diameter of the cloud droplets, the ambient air temperature, and the interrelationship of these three variables as shown in Figure 4 of this Appendix. The limiting icing envelope in terms of altitude and temperature is given in Figure 5 of this Appendix. The interrelationship of cloud liquid water content with drop diameter and altitude is determined from Figures 4 and 5. The cloud liquid water content for intermittent maximum icing conditions of a horizontal extent, other than 4.8 km (2.6 nautical miles), is determined by the value of cloud liquid water content of Figure 4 multiplied by the appropriate factor in Figure 6 of this Appendix.

(c) *Takeoff maximum icing.* The maximum intensity of atmospheric icing conditions for takeoff (takeoff maximum icing) is defined by the cloud liquid water content of 0.35 g/m^3 , the mean effective diameter of the cloud droplets of 20 microns, and the ambient air temperature at ground level of minus 9 degrees Celsius (-9° C). The takeoff maximum icing conditions extend from ground level to a height of 457 m (1500 ft) above the level of the takeoff surface.

Part II - Airframe Ice Accretions for Showing Compliance with Subpart B

(a) *Ice accretions - General.* The most critical ice accretion in terms of aeroplane performance and handling qualities for each flight phase must be used to show compliance with the applicable aeroplane performance and handling requirements

in icing conditions of subpart B of this part. Applicants must demonstrate that the full range of atmospheric icing conditions specified in part I of this appendix have been considered, including the mean effective drop diameter, liquid water content, and temperature appropriate to the flight conditions (for example, configuration, speed, angle-of-attack, and altitude). The ice accretions for each flight phase are defined as follows:

(1) Take-off Ice is the most critical ice accretion on unprotected surfaces, and any ice accretion on the protected surfaces appropriate to normal ice protection system operation, occurring between lift-off and 122 m (400 ft) above the take-off surface, assuming accretion starts at lift-off in the take-off maximum icing conditions of Part I, paragraph (c) of this Appendix.

(2) Final Take-off Ice is the most critical ice accretion on unprotected surfaces, and any ice accretion on the protected surfaces appropriate to normal ice protection system operation, between 122 m (400 ft) and either 457 m (1500 ft) above the take-off surface, or the height at which the transition from the takeoff to the en route configuration is completed and V_{FTO} is reached, whichever is higher. Ice accretion is assumed to start at lift-off in the take-off maximum icing conditions of Part I, paragraph (c) of this Appendix.

(3) En-route Ice is the critical ice accretion on the unprotected surfaces, and any ice accretion on the protected surfaces appropriate to normal ice protection system operation, during the en-route phase.

(4) Holding Ice is the critical ice accretion on the unprotected surfaces, and any ice accretion on the protected surfaces appropriate to normal ice protection system operation, during the holding flight phase.

(5) Approach ice is the critical ice accretion on the unprotected surfaces, and any ice accretion on the protected surfaces appropriate to normal ice protection system operation following exit from the holding flight phase and transition to the most critical approach configuration.

(6) Landing ice is the critical ice accretion on the unprotected surfaces, and any ice accretion on the protected surfaces appropriate to normal ice protection system operation following exit from the approach

CS-25 BOOK 1**Appendix C (continued)**

flight phase and transition to the final landing configuration.

(b) In order to reduce the number of ice accretions to be considered when demonstrating compliance with the requirements of paragraph CS 25.21(g), any of the ice accretions defined in subparagraph (a) of this section may be used for any other flight phase if it is shown to be more critical than the specific ice accretion defined for that flight phase. Configuration differences and their effects on ice accretions must be taken into account.

(c) The ice accretion that has the most adverse effect on handling characteristics may be used for aeroplane performance tests provided any difference in performance is conservatively taken into account.

(d) For both unprotected and protected parts, the ice accretion for the takeoff phase may be determined by calculation, assuming the takeoff maximum icing conditions defined in appendix C, and assuming that:

(1) Airfoils, control surfaces and, if applicable, propellers are free from frost, snow, or ice at the start of the takeoff;

(2) The ice accretion starts at lift-off;

(3) The critical ratio of thrust/power-to-weight;

(4) Failure of the critical engine occurs at V_{EF} ; and

(5) Crew activation of the ice protection system is in accordance with a normal operating procedure provided in the Aeroplane Flight Manual, except that after beginning the takeoff roll, it must be assumed that the crew takes no action to activate the ice protection system until the airplane is at least 122 m (400 ft) above the takeoff surface.

(e) The ice accretion before the ice protection system has been activated and is performing its intended function is the critical ice accretion formed on the unprotected and normally protected surfaces before activation and effective operation of the ice protection system in continuous maximum atmospheric icing conditions. This ice accretion only applies in showing compliance to CS 25.143(j), 25.207(h) and 25.207(i).

[Amdt. No.:25/3]

[Amdt. No.:25/7]

CS-25 BOOK 1

Appendix C (continued)

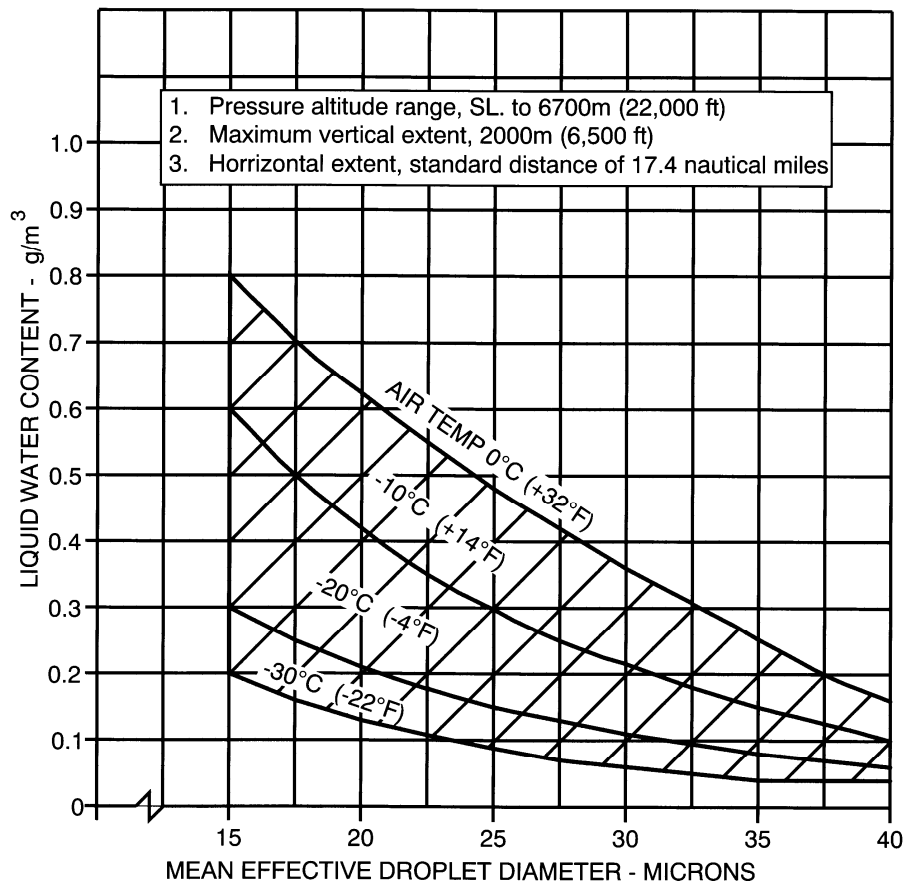


FIGURE 1

**CONTINUOUS MAXIMUM (STRATIFORM CLOUDS)
 ATMOSPHERIC ICING CONDITIONS
 LIQUID WATER CONTENT VS MEAN EFFECTIVE DROP DIAMETER**

Source of data – NACA TN No. 1855, Class III –M, Continuous Maximum.

CS-25 BOOK 1

Appendix C (continued)

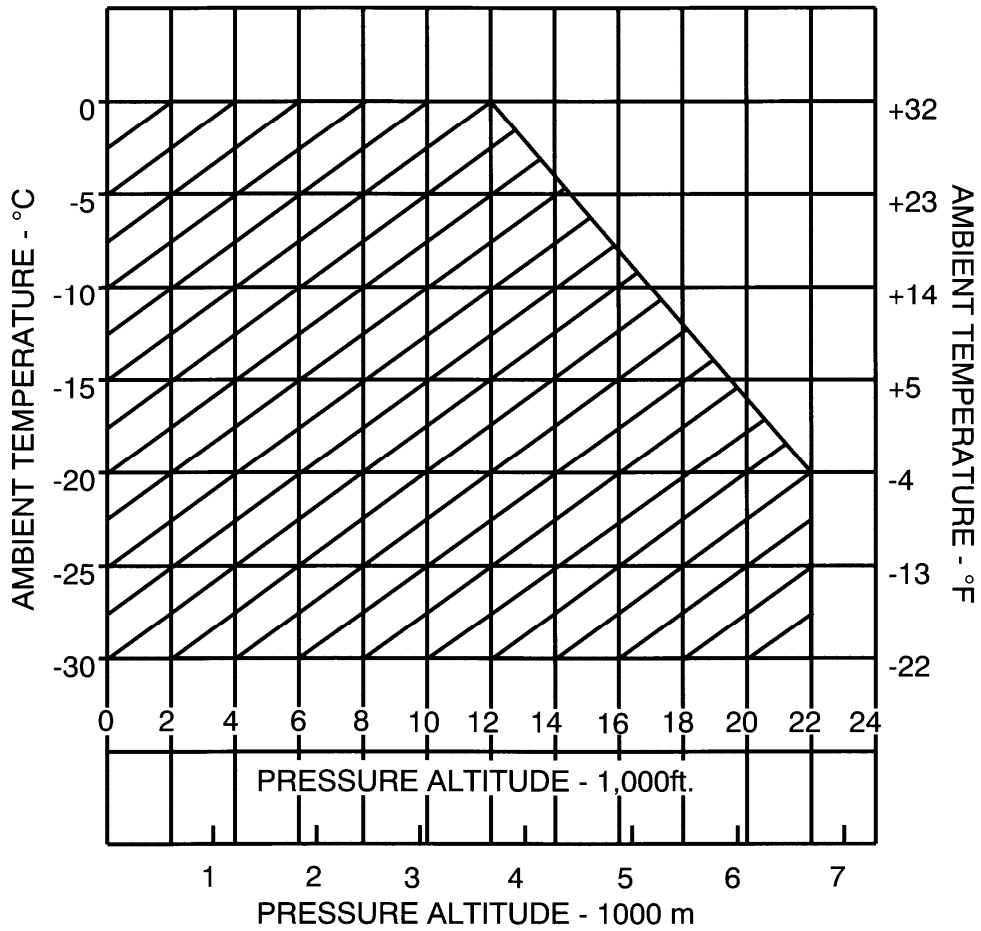


FIGURE 2

**CONTINUOUS MAXIMUM (STRATIFORM CLOUDS)
ATMOSPHERIC ICING CONDITIONS
AMBIENT TEMPERATURE VS PRESSURE ALTITUDE**

Source of data – NACA TN No. 2569.

CS-25 BOOK 1

Appendix C (continued)

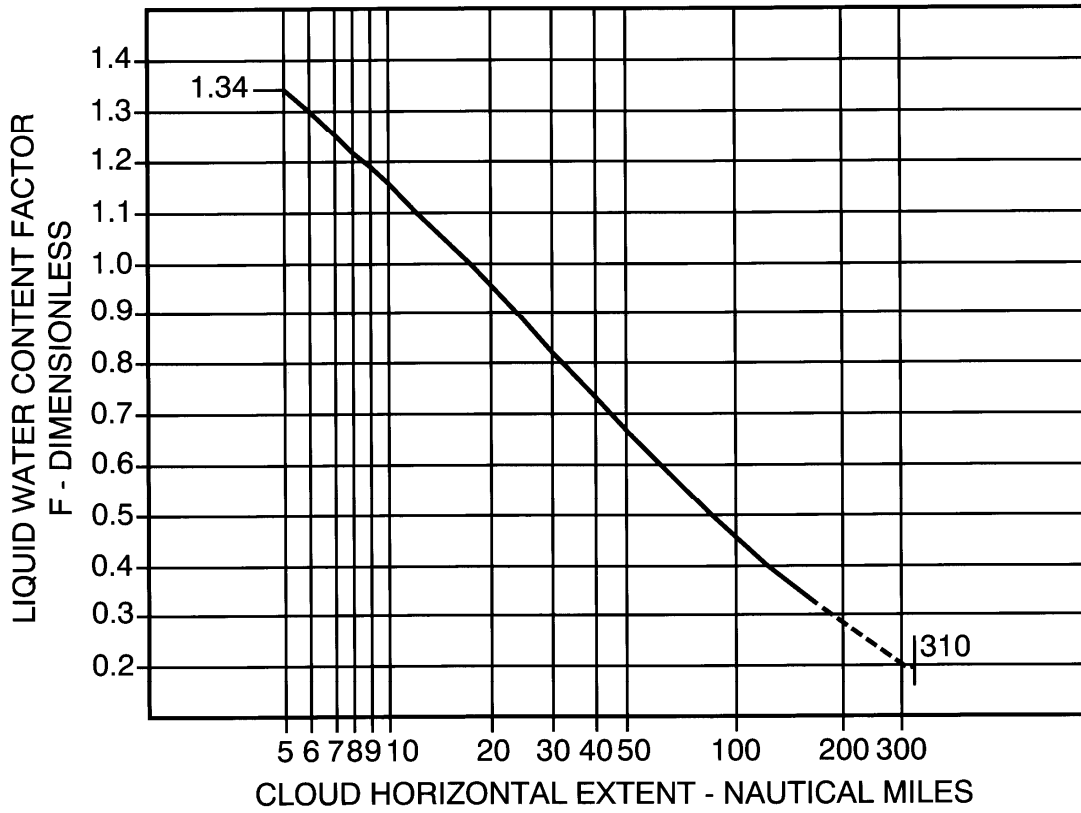


FIGURE 3

CONTINUOUS MAXIMUM (STRATIFORM CLOUDS)
ATMOSPHERIC ICING CONDITIONS
LIQUID WATER CONTENT FACTOR VS CLOUD HORIZONTAL DISTANCE

Source of data – NACA TN No. 2738.

CS-25 BOOK 1

Appendix C (continued)

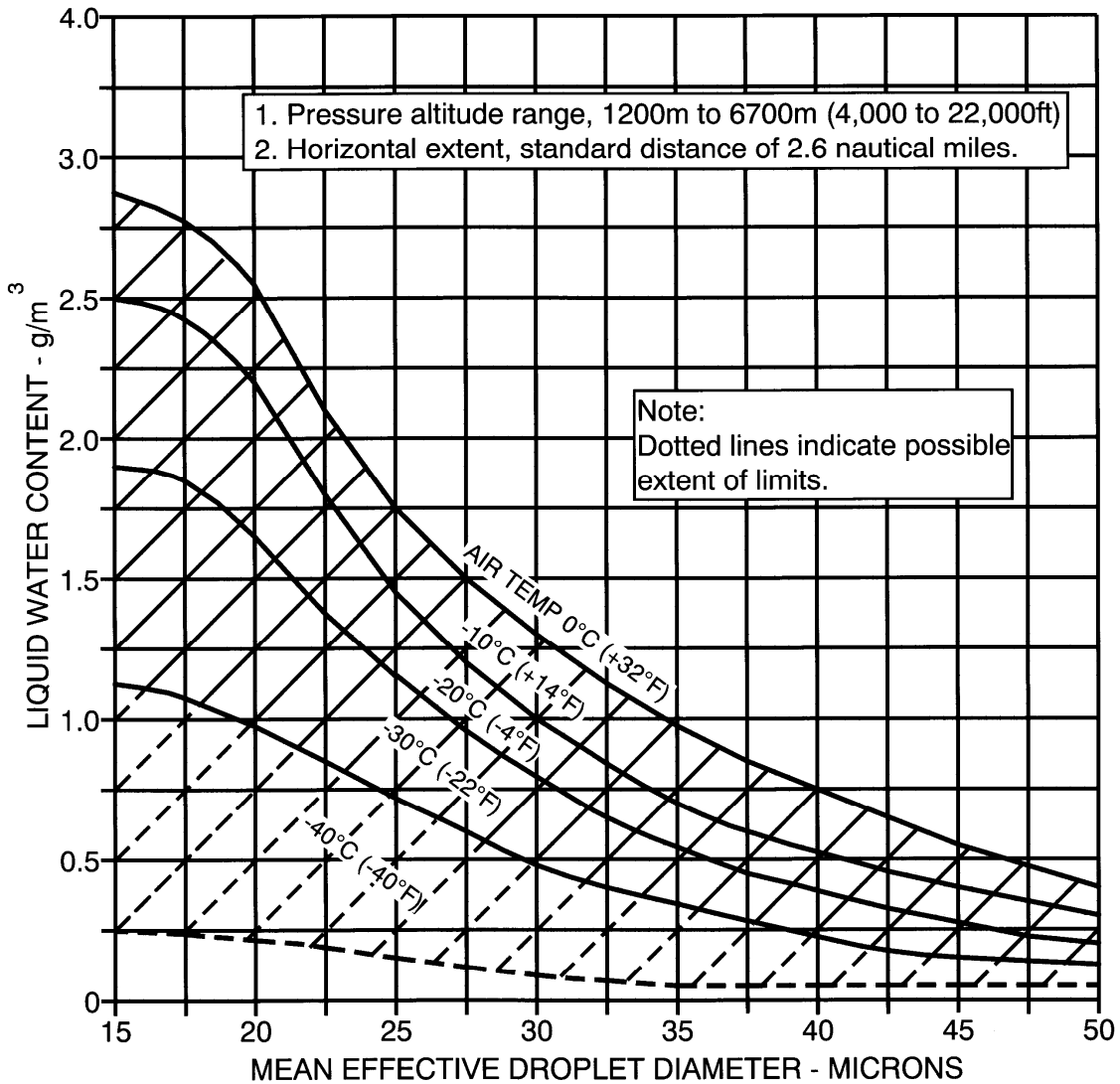


FIGURE 4

INTERMITTENT MAXIMUM (CUMULIFORM CLOUDS)
 ATMOSPHERIC ICING CONDITIONS
 LIQUID WATER CONTENT VS MEAN EFFECTIVE DROP DIAMETER

Source of data – NACA TN No. 1855, Class II – M, Intermittent Maximum

CS-25 BOOK 1

Appendix C (continued)

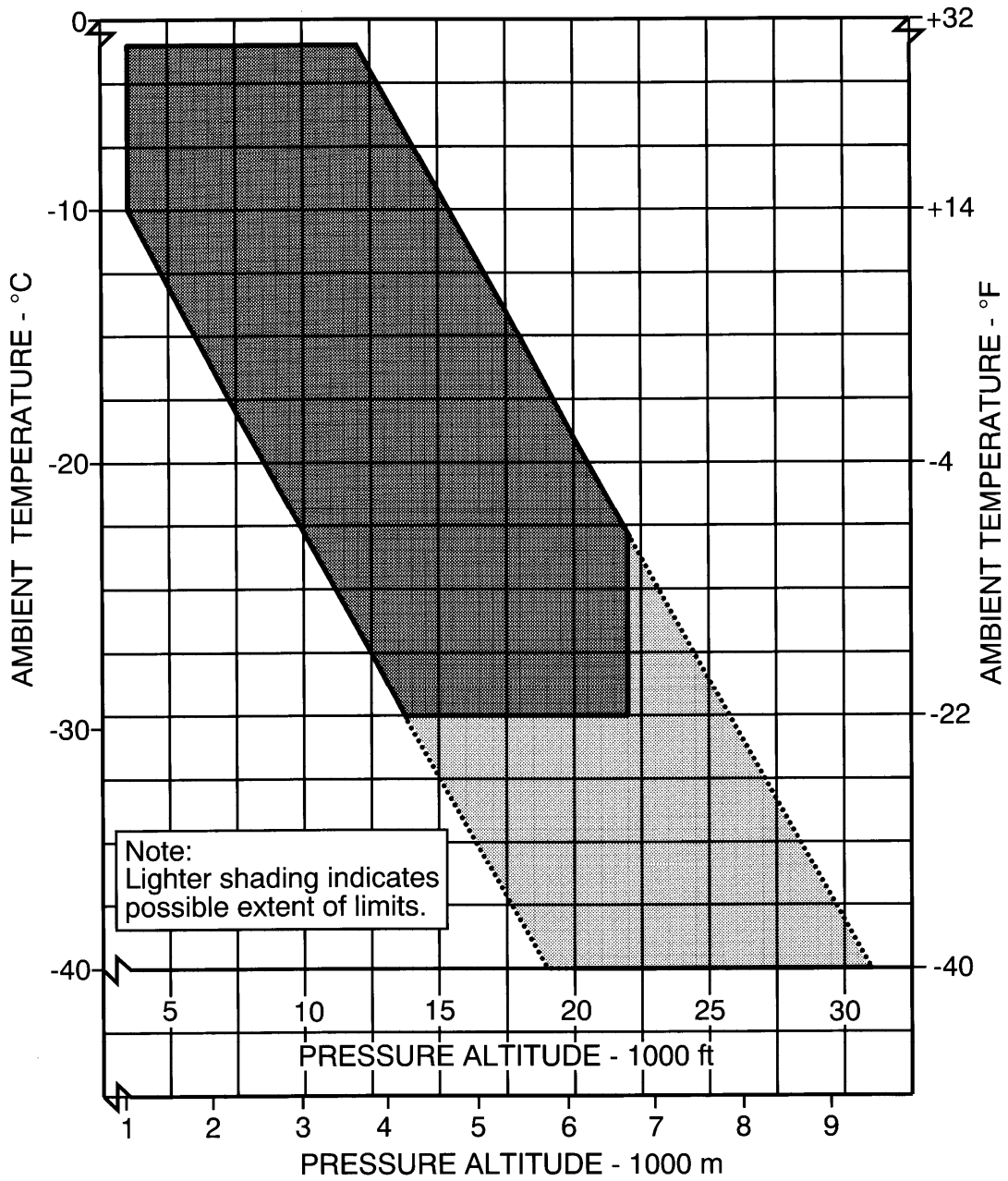


FIGURE 5

**INTERMITTENT MAXIMUM (CUMULIFORM CLOUDS)
ATMOSPHERIC ICING CONDITIONS
AMBIENT TEMPERATURE VS PRESSURE ALTITUDE**

Source of data – NACA TN No. 2569.

CS-25 BOOK 1

Appendix C (continued)

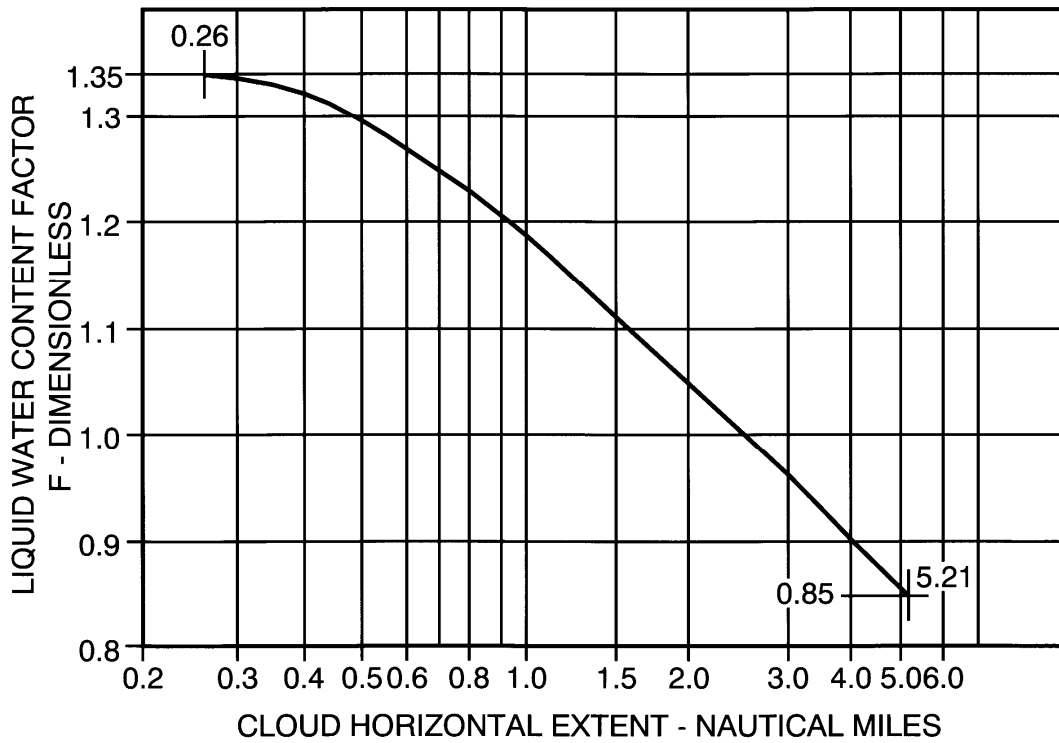


FIGURE 6

**INTERMITTENT MAXIMUM (CUMULIFORM CLOUDS)
ATMOSPHERIC ICING CONDITIONS
VARIATION OF LIQUID WATER CONTENT FACTOR WITH
CLOUD HORIZONTAL EXTENT**

Source of data – NACA TN No. 2738.

CS-25 BOOK 1

Appendix D

Criteria for determining minimum flight crew. The following are considered by the Agency in determining the minimum flight crew under CS 25.1523.

(a) *Basic workload functions.* The following basic workload functions are considered:

- (1) Flight path control.
- (2) Collision avoidance.
- (3) Navigation.
- (4) Communications.
- (5) Operation and monitoring of aircraft engines and systems.
- (6) Command decisions.

(b) *Workload factors.* The following workload factors are considered significant when analysing and demonstrating workload for minimum flight crew determination:

(1) The accessibility, ease and simplicity of operation of all necessary flight, power, and equipment controls, including emergency fuel shutoff valves, electrical controls, electronic controls, pressurisation system controls, and engine controls.

(2) The accessibility and conspicuity of all necessary instruments and failure warning devices such as fire warning, electrical system malfunction, and other failure or caution indicators. The extent to which such instruments or devices direct the proper corrective action is also considered.

(3) The number, urgency, and complexity of operating procedures with particular consideration given to the specific fuel management schedule imposed by centre of gravity, structural or other considerations of an airworthiness nature, and to the ability of each engine to operate at all times from a single tank or source which is automatically replenished if fuel is also stored in other tanks.

(4) The degree and duration of concentrated mental and physical effort involved in normal operation and in diagnosing and coping with malfunctions and emergencies.

(5) The extent of required monitoring of the fuel, hydraulic, pressurisation, electrical, electronic, deicing, and other systems while en route.

(6) The actions requiring a crew member to be unavailable at his assigned duty

station, including: observation of systems, emergency operation of any control, and emergencies in any compartment.

(7) The degree of automation provided in the aircraft systems to afford (after failures or malfunctions) automatic crossover or isolation of difficulties to minimise the need for flight crew action to guard against loss of hydraulic or electrical power to flight controls or other essential systems.

(8) The communications and navigation workload.

(9) The possibility of increased workload associated with any emergency that may lead to other emergencies.

(10) Incapacitation of a flight-crew member whenever the applicable operating rule requires a minimum flight crew of at least two pilots.

(c) *Kind of operation authorised.* The determination of the kind of operation authorised requires consideration of the operating rules under which the aeroplane will be operated. Unless an applicant desires approval for a more limited kind of operation, it is assumed that each aeroplane certificated under this CS-25 will operate under IFR conditions.

CS-25 BOOK 1

Appendix F

Part I – Test Criteria and Procedures for Showing Compliance with CS 25.853, 25.855 or 25.869

(a) *Material test criteria–*(1) *Interior compartments occupied by crew or passengers.*

(i) Interior ceiling panels, interior wall panels, partitions, galley structure, large cabinet walls, structural flooring, and materials used in the construction of stowage compartments (other than underseat stowage compartments and compartments for stowing small items such as magazines and maps) must be self-extinguishing when tested vertically in accordance with the applicable portions of Part I of this Appendix. The average burn length may not exceed 15 cm (6 inches) and the average flame time after removal of the flame source may not exceed 15 seconds. Drippings from the test specimen may not continue to flame for more than an average of 3 seconds after falling.

(ii) Floor covering, textiles (including draperies and upholstery), seat cushions, padding, decorative and non-decorative coated fabrics, leather, trays and galley furnishings, electrical conduit, air ducting, joint and edge covering, liners of Class B and E cargo or baggage compartments, floor panels of Class B, C, E or F cargo or baggage compartments, cargo covers and transparencies, moulded and thermoformed parts, air ducting joints, and trim strips (decorative and chafing), that are constructed of materials not covered in sub-paragraph (iv) below, must be self-extinguishing when tested vertically in accordance with the applicable portions of Part I of this Appendix or other approved equivalent means. The average burn length may not exceed 20 cm (8 inches), and the average flame time after removal of the flame source may not exceed 15 seconds. Drippings from the test specimen may not continue to flame for more than an average of 5 seconds after falling.

(iii) Motion picture film must be safety film meeting the Standard Specifications for Safety Photographic Film PHI.25 (available from the American National Standards Institute, 1430 Broadway, New York, NY 10018).

If the film travels through ducts, the ducts must meet the requirements of sub-paragraph (ii) of this paragraph.

(iv) Clear plastic windows and signs, parts constructed in whole or in part of elastomeric materials, edge lighted instrument assemblies consisting of two or more instruments in a common housing, seat belts, shoulder harnesses, and cargo and baggage tiedown equipment, including containers, bins, pallets, etc, used in passenger or crew compartments, may not have an average burn rate greater than 64 mm (2.5 inches) per minute when tested horizontally in accordance with the applicable portions of this Appendix.

(v) Except for small parts (such as knobs, handles, rollers, fasteners, clips, grommets, rub strips, pulleys, and small electrical parts) that would not contribute significantly to the propagation of a fire and for electrical wire and cable insulation, materials in items not specified in paragraphs (a)(1)(i), (ii), (iii), or (iv) of Part I of this Appendix may not have a burn rate greater than 102 mm/min (4.0 inches per minute) when tested horizontally in accordance with the applicable portions of this Appendix.

(2) *Cargo and baggage compartments not occupied by crew or passengers.*(i) *Reserved.*

(ii) A cargo or baggage compartment defined in CS 25.857, as Class B or E must have a liner constructed of materials that meet the requirements of sub-paragraph (a)(1)(ii) of Part I of this Appendix and separated from the aeroplane structure (except for attachments). In addition, such liners must be subjected to the 45-degree angle test. The flame may not penetrate (pass through) the material during application of the flame or subsequent to its removal. The average flame time after removal of the flame source may not exceed 15 seconds, and the average glow time may not exceed 10 seconds.

(iii) A cargo or baggage compartment defined in CS 25.857 as

CS-25 BOOK 1

Class B, C, E or F must have floor panels constructed of materials which meet the requirements of sub-paragraph (a)(1)(ii) of Part I of this Appendix and which are separated from the aeroplane structure (except for attachments). Such panels must be subjected to the 45-degree angle test. The flame may not penetrate (pass through) the material during application of the flame or subsequent to its removal. The average flame time after removal of the flame source may not exceed 15 seconds, and the average glow time may not exceed 10 seconds.

(iv) Insulation blankets and covers used to protect cargo must be constructed of materials that meet the requirements of sub-paragraph (a)(1)(ii) of Part I of this Appendix. Tiedown equipment (including containers, bins, and pallets) used in each cargo and baggage compartment must be constructed of materials that meet the requirements of sub-paragraph (a)(1)(v) of Part I of this Appendix.

(3) *Electrical system components.* Insulation on electrical wire or cable installed in any area of the fuselage must be self-extinguishing when subjected to the 60 degree test specified in Part I of this Appendix. The average burn length may not exceed 76 mm (3 inches), and the average flame time after removal of the flame source may not exceed 30 seconds. Drippings from the test specimen may not continue to flame for more than an average of 3 seconds after falling.

(b) *Test Procedures –*

(1) *Conditioning.* Specimens must be conditioned to $21.11 \pm 3^{\circ}\text{C}$ ($70 \pm 5^{\circ}\text{F}$) and at $50\% \pm 5\%$ relative humidity until moisture equilibrium is reached or for 24 hours. Each specimen must remain in the conditioning environment until it is subjected to the flame.

(2) *Specimen configuration.* Except for small parts and electrical wire and cable insulation, materials must be tested either as a section cut from a fabricated part as installed in the aeroplane or as a specimen simulating a cut section, such as a specimen cut from a flat sheet of the material or a model of the fabricated part. The specimen may be cut from any location in a fabricated part; however, fabricated units, such as sandwich panels, may

not be separated for test. Except as noted below, the specimen thickness must be no thicker than the minimum thickness to be qualified for use in the aeroplane. Test specimens of thick foam parts, such as seat cushions, must be 13 mm ($\frac{1}{2}$ -inch) in thickness. Test specimens of materials that must meet the requirements of sub-paragraph (a)(1)(v) of Part I of this Appendix must be no more than 3.2 mm ($\frac{1}{8}$ -inch) in thickness. Electrical wire and cable specimens must be the same size as used in the aeroplane. In the case of fabrics, both the warp and fill direction of the weave must be tested to determine the most critical flammability condition. Specimens must be mounted in a metal frame so that the two long edges and the upper edge are held securely during the vertical test prescribed in sub-paragraph (4) of this paragraph and the two long edges and the edge away from the flame are held securely during the horizontal test prescribed in sub-paragraph (5) of this paragraph. The exposed area of the specimen must be at least 50 mm (2 inches) wide and 31 cm (12 inches) long, unless the actual size used in the aeroplane is smaller. The edge to which the burner flame is applied must not consist of the finished or protected edge of the specimen but must be representative of the actual cross-section of the material or part as installed in the aeroplane. The specimen must be mounted in a metal frame so that all four edges are held securely and the exposed area of the specimen is at least 20 cm by 20 cm (8 inches by 8 inches) during the 45° test prescribed in sub-paragraph (6) of this paragraph.

(3) *Apparatus.* Except as provided in sub-paragraph (7) of this paragraph, tests must be conducted in a draught-free cabinet in accordance with Federal Test Method Standard 191 Model 5903 (revised Method 5902) for the vertical test, or Method 5906 for horizontal test (available from the General Services Administration, Business Service Centre, Region 3, Seventh & D Streets SW., Washington, DC 20407). Specimens, which are too large for the cabinet, must be tested in similar draught-free conditions.

(4) *Vertical test.* A minimum of three specimens must be tested and results averaged. For fabrics, the direction of weave corresponding to the most critical flammability conditions must be parallel to the longest dimension. Each specimen must be supported vertically. The specimen must be

CS-25 BOOK 1

exposed to a Bunsen or Tirril burner with a nominal 9.5 mm ($\frac{3}{8}$ -inch) I.D. tube adjusted to give a flame of 38 mm ($1\frac{1}{2}$ inches) in height. The minimum flame temperature measured by a calibrated thermocouple pyrometer in the centre of the flame must be 843°C (1550°F). The lower edge of the specimen must be 19 mm ($\frac{3}{4}$ -inch) above the top edge of the burner. The flame must be applied to the centre line of the lower edge of the specimen. For materials covered by sub-paragraph (a)(1)(i) of Part I of this Appendix, the flame must be applied for 60 seconds and then removed. For materials covered by sub-paragraph (a)(1)(ii) of Part I of this Appendix, the flame must be applied for 12 seconds and then removed. Flame time, burn length, and flaming time of drippings, if any, may be recorded. The burn length determined in accordance with sub-paragraph (7) of this paragraph must be measured to the nearest 2.5 mm (tenth of an inch).

(5) *Horizontal test.* A minimum of three specimens must be tested and the results averaged. Each specimen must be supported horizontally. The exposed surface, when installed in the aircraft, must be face down for the test. The specimen must be exposed to a Bunsen or Tirril burner with a nominal 9.5 mm ($\frac{3}{8}$ -inch) I.D. tube adjusted to give a flame of 38 mm ($1\frac{1}{2}$ inches) in height. The minimum flame temperature measured by a calibrated thermocouple pyrometer in the centre of the flame must be 843°C (1550°F). The specimen must be positioned so that the edge being tested is centred 19 mm ($\frac{3}{4}$ -inch) above the top of the burner. The flame must be applied for 15 seconds and then removed. A minimum of 25 cm (10 inches) of specimen must be used for timing purposes, approximately 38 mm ($1\frac{1}{2}$ inches) must burn before the burning front reaches the timing zone, and the average burn rate must be recorded.

(6) *Forty-five degree test.* A minimum of three specimens must be tested and the results averaged. The specimens must be supported at an angle of 45° to a horizontal surface. The exposed surface when installed in the aircraft must be face down for the test. The specimens must be exposed to a Bunsen or Tirril burner with a nominal $\frac{3}{8}$ -inch (9.5 mm) I.D. tube adjusted to give a flame of 38 mm ($1\frac{1}{2}$ inches) in height. The minimum flame temperature measured by a calibrated thermocouple pyrometer in the centre of the

flame must be 843°C (1550°F). Suitable precautions must be taken to avoid draughts. The flame must be applied for 30 seconds with one-third contacting the material at the centre of the specimen and then removed. Flame time, glow time, and whether the flame penetrates (passes through) the specimen must be recorded.

(7) *Sixty-degree test.* A minimum of three specimens of each wire specification (make and size) must be tested. The specimen of wire or cable (including insulation) must be placed at an angle of 60° with the horizontal in the cabinet specified in sub-paragraph (3) of this paragraph with the cabinet door open during the test, or must be placed within a chamber approximately 61 cm (2 feet) high by 31 cm by 31 cm (1 foot by 1 foot), open at the top and at one vertical side (front), and which allows sufficient flow of air for complete combustion, but which is free from draughts. The specimen must be parallel to and approximately 15 cm (6 inches) from the front of the chamber. The lower end of the specimen must be held rigidly clamped. The upper end of the specimen must pass over a pulley or rod and must have an appropriate weight attached to it so that the specimen is held tautly throughout the flammability test. The test specimen span between lower clamp and upper pulley or rod must be 61 cm (24 inches) and must be marked 20 cm (8 inches) from the lower end to indicate the central point for flame application. A flame from a Bunsen or Tirril burner must be applied for 30 seconds at the test mark. The burner must be mounted underneath the test mark on the specimen, perpendicular to the specimen and at an angle of 30° to the vertical plane of the specimen. The burner must have a nominal bore of 9.5 mm ($\frac{3}{8}$ -inch) and be adjusted to provide a 76 mm (3-inch) high flame with an inner cone approximately one-third of the flame height. The minimum temperature of the hottest portion of the flame, as measured with a calibrated thermocouple pyrometer, may not be less than 954°C (1750°F). The burner must be positioned so that the hottest portion of the flame is applied to the test mark on the wire. Flame time, burn length, and flaming time of drippings, if any, must be recorded. The burn length determined in accordance with sub-paragraph (8) of this paragraph must be measured to the nearest 2.5 mm (tenth of an inch). Breaking of the wire specimens is not considered a failure.

CS-25 BOOK 1

(8) *Burn length.* Burn length is the distance from the original edge to the farthest evidence of damage to the test specimen due to flame impingement, including areas of partial or complete consumption, charring, or embrittlement, but not including areas sooted, stained, warped, or discoloured, nor areas where material has shrunk or melted away from the heat source.

[Amdt. No.: 25/6]

[Amdt. No.: 25/8]

CS-25 BOOK 1

Appendix F

Part II – Flammability of Seat Cushions

(a) *Criteria for Acceptance.* Each seat cushion must meet the following criteria:

(1) At least three sets of seat bottom and seat back cushion specimens must be tested.

(2) If the cushion is constructed with a fire blocking material, the fire blocking material must completely enclose the cushion foam core material.

(3) Each specimen tested must be fabricated using the principal components (i.e. foam core, flotation material, fire blocking material, if used, and dress covering) and assembly processes (representative seams and closures) intended for use in the production articles. If a different material combination is used for the back cushion than for the bottom cushion, both material combinations must be tested as complete specimen sets, each set consisting of a back cushion specimen and a bottom cushion specimen. If a cushion, including outer dress covering, is demonstrated to meet the requirements of this Appendix using the oil burner test, the dress covering of that cushion may be replaced with a similar dress covering provided the burn length of the replacement covering, as determined by the test specified in CS 25.853(c), does not exceed the corresponding burn length of the dress covering used on the cushion subjected to the oil burner test.

(4) For at least two-thirds of the total number of specimen sets tested, the burn length from the burner must not reach the side of the cushion opposite the burner. The burn length must not exceed 43 cm (17 inches). Burn length is the perpendicular distance from the inside edge of the seat frame closest to the burner to the farthest evidence of damage to the test specimen due to flame impingement, including areas of partial or complete consumption, charring, or embrittlement, but not including areas sooted, stained, warped, or discoloured, or areas where material has shrunk or melted away from the heat source.

(5) The average percentage weight loss must not exceed 10 percent. Also, at least two-thirds of the total number of specimen sets tested must not exceed 10 percent weight loss. All droppings falling from the cushions and mounting stand are to be discarded before the after-test weight is determined. The

percentage weight loss for a specimen set is the weight of the specimen set before testing less the weight of the specimen set after testing expressed as the percentage of the weight before testing.

(b) *Test Conditions.* Vertical air velocity should average $13\text{cm/s} \pm 5\text{ cm/s}$ ($25\text{ fpm} \pm 10\text{ fpm}$) at the top of the back seat cushion. Horizontal air velocity should be below 51 mm/s (10 fpm) just above the bottom seat cushion. Air velocities should be measured with the ventilation hood operating and the burner motor off.

(c) *Test Specimens*

(1) For each test, one set of cushion specimens representing a seat bottom and seat back cushion must be used.

(2) The seat bottom cushion specimen must be $457 \pm 3\text{ mm}$ ($18 \pm 0.125\text{ inches}$) wide by $508 \pm 3\text{ mm}$ ($20 \pm 0.125\text{ inches}$) deep by $102 \pm 3\text{ mm}$ ($4 \pm 0.125\text{ inches}$) thick, exclusive of fabric closures and seam overlap.

(3) The seat back cushion specimen must be $457 \pm 3\text{ mm}$ ($18 \pm 0.125\text{ inches}$) wide by $635 \pm 3\text{ mm}$ ($25 \pm 0.125\text{ inches}$) high by $51 \pm 3\text{ mm}$ ($2 \pm 0.125\text{ inches}$) thick, exclusive of fabric closures and seam overlap.

(4) The specimens must be conditioned at $21 \pm 2^\circ\text{C}$ ($70 \pm 5^\circ\text{F}$) $55\% \pm 10\%$ relative humidity for at least 24 hours before testing.

(d) *Test Apparatus.* The arrangement of the test apparatus is shown in Figure 1 through 5 and must include the components described in this paragraph. Minor details of the apparatus may vary, depending on the model burner used.

(1) *Specimen Mounting Stand.* The mounting stand for the test specimens consists of steel angles, as shown in Figure 1. The length of the mounting stand legs is $305 \pm 3\text{mm}$ ($12 \pm 0.125\text{ inches}$). The mounting stand must be used for mounting the test specimen seat bottom and seat back, as shown in Figure 2. The mounting stand should also include a suitable drip pan lined with aluminium foil, dull side up.

(2) *Test Burner.* The burner to be used in testing must –

(i) Be a modified gun type;

(ii) Have an 80-degree spray angle nozzle nominally rated for 8.5 l/hr

CS-25 BOOK 1

(2.25 US gallons/hour) at 690 KPa (100 psi);

(iii) Have a 31 cm (12-inch) burner cone installed at the end of the draft tube, with an opening 15 cm (6 inches) high and 28 cm (11 inches) wide, as shown in Figure 3; and

(iv) Have a burner fuel pressure regulator that is adjusted to deliver a nominal 7.6 l/hr (2.0 US gallon/hour) of # 2 Grade kerosene or equivalent required for the test.

(3) *Calorimeter*

(i) The calorimeter to be used in testing must be a 0–17.0 Watts/cm² (0–15.0 BTU per ft² sec) calorimeter, accurate $\pm 3\%$, mounted in a 15 by 31 cm (6-inch by 12-inch) by 19 mm (0.75 inch) thick calcium silicate insulating board which is attached to a steel angle bracket for placement in the test stand during burner calibration, as shown in Figure 4.

(ii) Because crumbling of the insulating board with service can result in misalignment of the calorimeter, the calorimeter must be monitored and the mounting shimmed, as necessary, to ensure that the calorimeter face is flush with the exposed plane of the insulating board in a plane parallel to the exit of the test burner cone.

(4) *Thermocouples*. The seven thermocouples to be used for testing must be 1.59 to 3.18 mm (0.0625 to 0.125 inch) metal sheathed, ceramic packed, type K, grounded thermocouples with a nominal 22 to 30 American wire gauge (AWG)-size conductor 0.643 mm (0.0253 inches) to 0.254 mm (0.010 inches) diameter. The seven thermocouples must be attached to a steel angle bracket to form a thermocouple rake for placement in the test stand during burner calibration as shown in Figure 5.

(5) *Apparatus Arrangement*. The test burner must be mounted on a suitable stand to position the exit of the burner cone a distance of 102 ± 3 mm (4 ± 0.125 inches) from one side of the specimen mounting stand. The burner stand should have the capability of allowing the burner to be swung away from the specimen-mounting stand during warm-up periods.

(6) *Data Recording*. A recording potentiometer or other suitable calibrated

instrument with an appropriate range must be used to measure and record the outputs of the calorimeter and the thermocouples.

(7) *Weight Scale*. Weighing Device – A device must be used that with proper procedures may determine the before and after test weights of each set of seat cushion specimens within 9 grams (0.02 pound). A continuous weighing system is preferred.

(8) *Timing Device*. A stopwatch or other device (calibrated to ± 1 second) must be used to measure the time of application of the burner flame and self-extinguishing time or test duration.

(e) *Preparation of Apparatus*. Before calibration, all equipment must be turned on and the burner fuel must be adjusted as specified in subparagraph (d)(2).

(f) *Calibration*. To ensure the proper thermal output of the burner, the following test must be made:

(1) Place the calorimeter on the test stand as shown in Figure 4 at a distance of 102 ± 3 mm (4 ± 0.125 inches) from the exit of the burner cone.

(2) Turn on the burner, allow it to run for 2 minutes for warm-up, and adjust the burner air intake damper to produce a reading of 11.9 ± 0.6 Watts/cm² (10.5 ± 0.5 BTU per ft² sec) on the calorimeter to ensure steady state conditions have been achieved. Turn off the burner.

(3) Replace the calorimeter with the thermocouple rake (Figure 5).

(4) Turn on the burner and ensure that the thermocouples are reading $1038 \pm 56^\circ\text{C}$ ($1900 \pm 100^\circ\text{F}$) to ensure steady state conditions have been achieved.

(5) If the calorimeter and thermocouples do not read within range, repeat steps in sub-paragraphs 1 to 4 and adjust the burner air intake damper until the proper readings are obtained. The thermocouple rake and the calorimeter should be used frequently to maintain and record calibrated test parameters. Until the specific apparatus has demonstrated consistency, each test should be calibrated. After consistency has been confirmed, several tests may be conducted with the pre-test calibration before and a calibration check after the series.

(g) *Test Procedures*. The flammability of

CS-25 BOOK 1

each set of specimens must be tested as follows:

(1) Record the weight of each set of seat bottom and seat back cushion specimens to be tested to the nearest 9 grams (0.02 pound).

(2) Mount the seat bottom and seat back cushion test specimens on the test stand as shown in Figure 2, securing the seat back cushion specimen to the test stand at the top.

(3) Swing the burner into position and ensure that the distance from the exit of the burner cone to the side of the seat bottom cushion specimen is 102 ± 3 mm (4 ± 0.125 inches).

(4) Swing the burner away from the test position. Turn on the burner and allow it to run for 2 minutes to provide adequate warm-up of the burner cone and flame stabilisation.

(5) To begin the test, swing the burner into the test position and simultaneously start the timing device.

(6) Expose the seat bottom cushion specimen to the burner flame for 2 minutes and then turn off the burner. Immediately swing the burner away from the test position. Terminate test 7 minutes after initiating cushion exposure to the flame by use of an appropriate gaseous extinguishing agent.

(7) Determine the weight of the remains of the seat cushion specimen set left on the mounting stand to the nearest 9 grams (0.02 pound) excluding all droppings.

(h) *Test Report* With respect to all specimen sets tested for a particular seat cushion for which testing of compliance is performed, the following information must be recorded:

(1) An identification and description of the specimens being tested.

(2) The number of specimen sets tested.

(3) The initial weight and residual weight of each set, the calculated percentage weight loss of each set, and the calculated average percentage weight loss for the total number of sets tested.

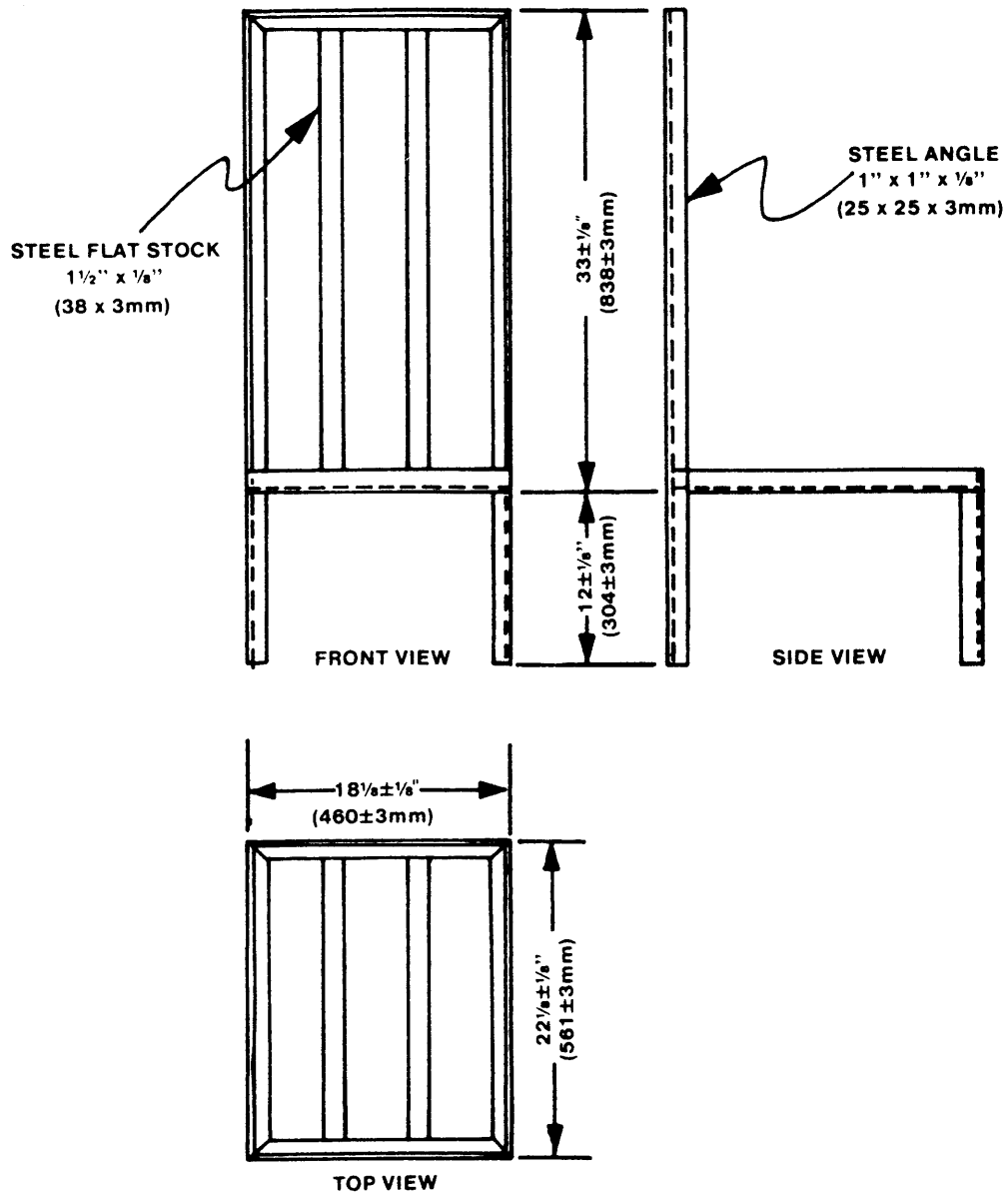
(4) The burn length for each set tested.

[Amdt. No.: 25/2]

[Amdt. No.: 25/4]

[Amdt. No.: 25/12]

CS-25 BOOK 1



NOTE:
ALL JOINTS WELDED
FLAT STOCK BUTT WELDED
ALL MEASUREMENTS INSIDE

FIGURE 1

CS-25 BOOK 1

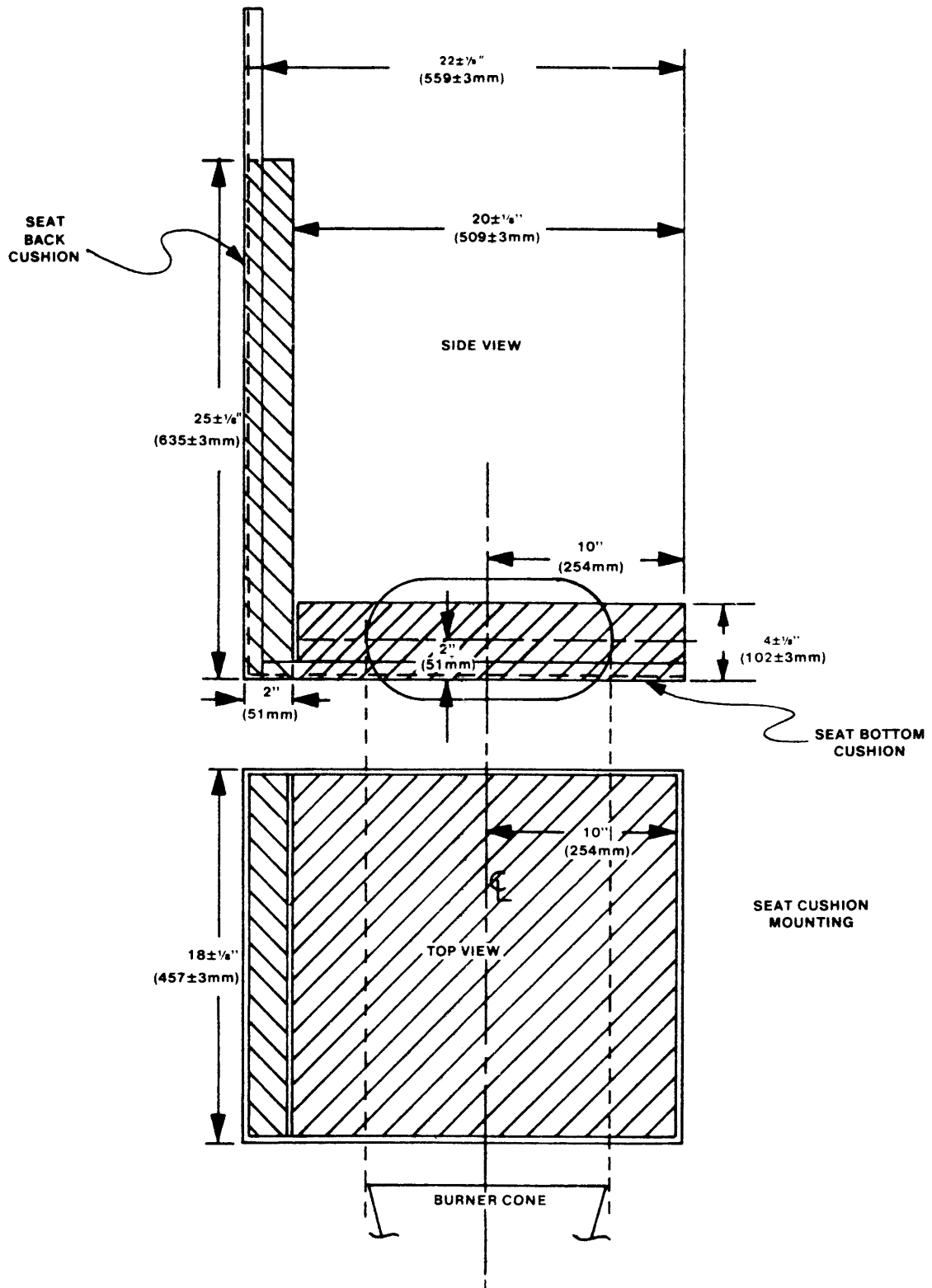


FIGURE 2

CS-25 BOOK 1

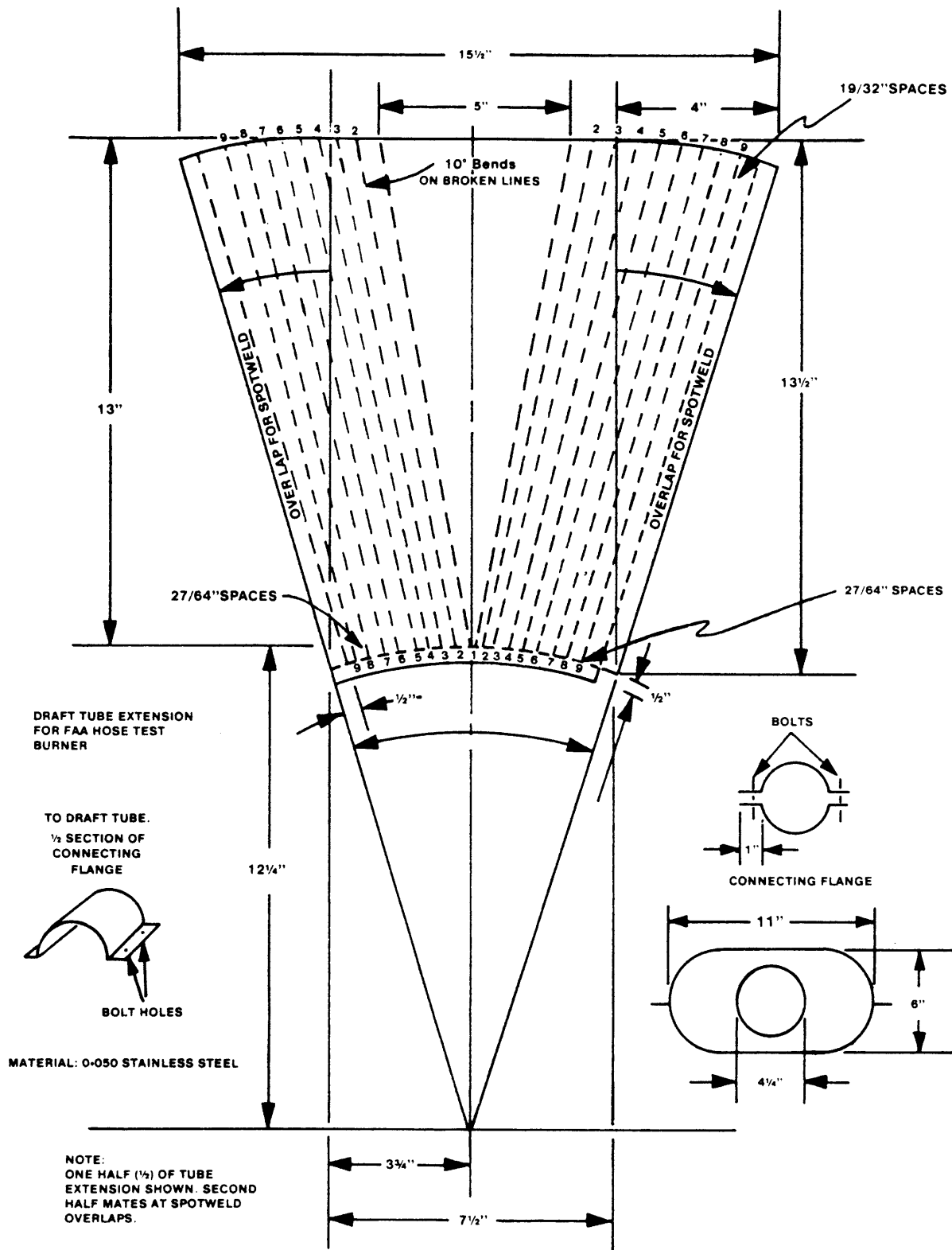


FIGURE 3

CS-25 BOOK 1

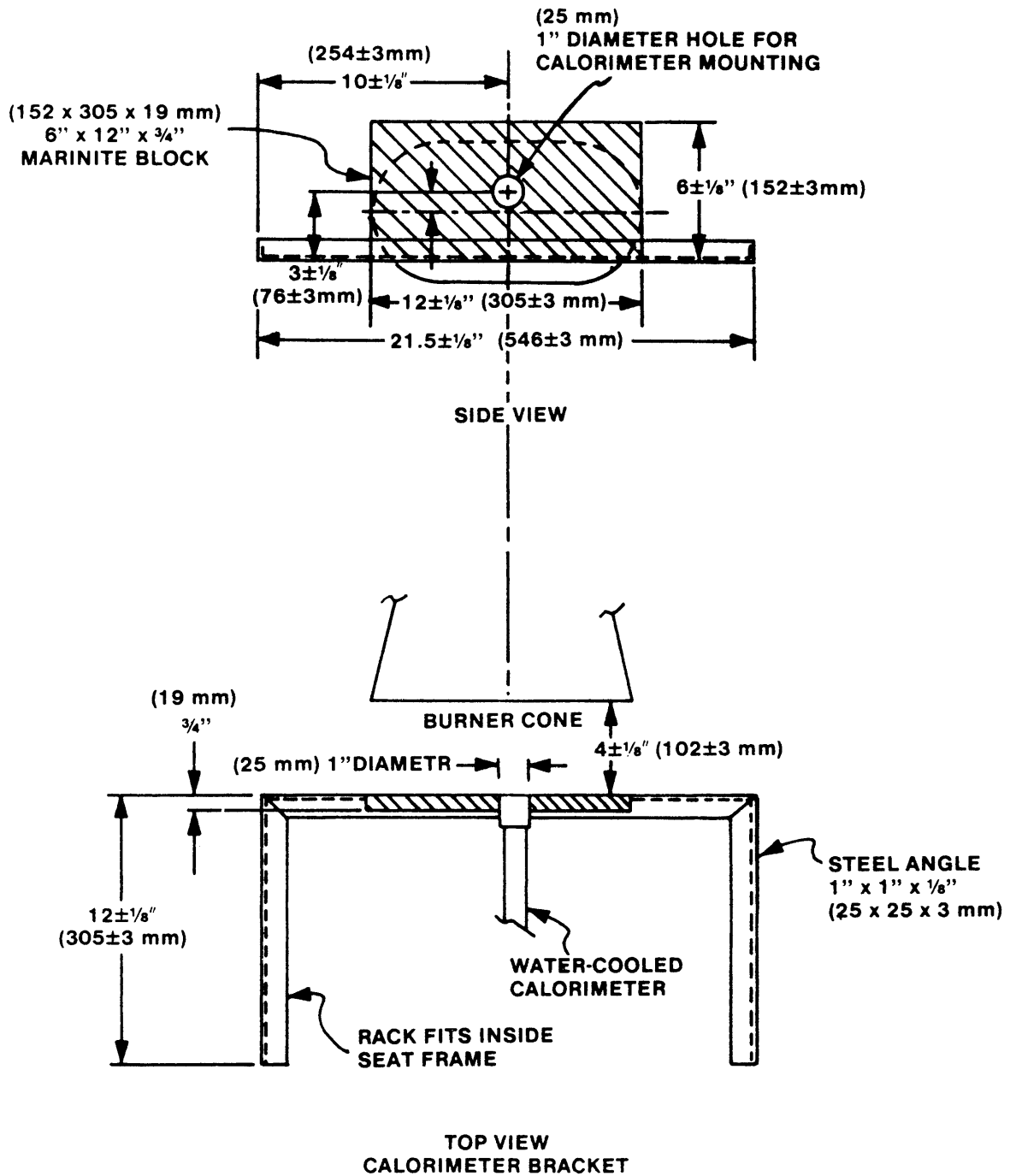


FIGURE 4

CS-25 BOOK 1

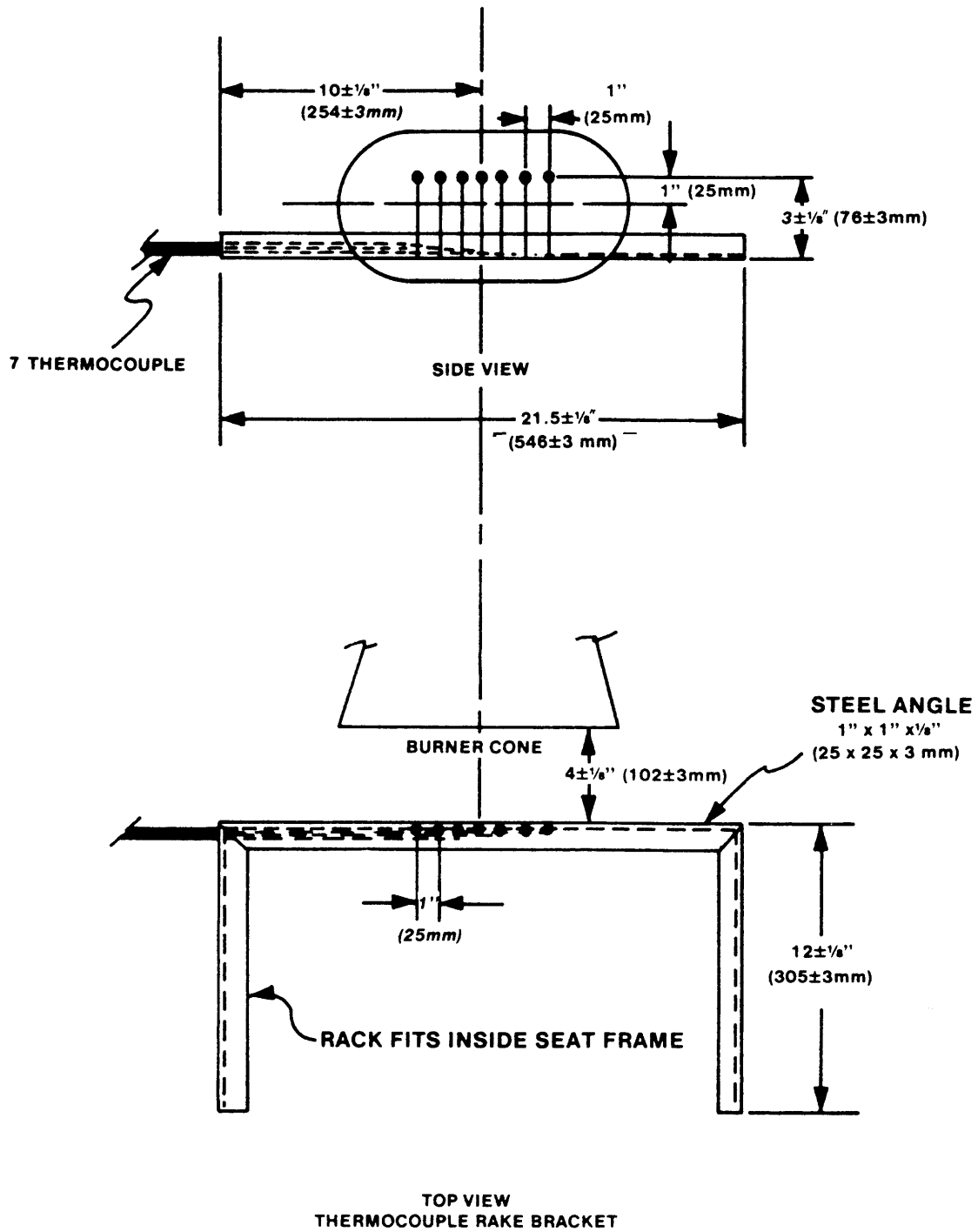


FIGURE 5

CS-25 BOOK 1

Appendix F

Part III – T Test Method to Determine Flame Penetration Resistance of Cargo Compartment Liners

(a) *Criteria for Acceptance*

(1) At least three specimens of cargo compartment sidewall or ceiling liner panels must be tested.

(2) Each specimen tested must simulate the cargo compartment sidewall or ceiling liner panel, including any design features, such as joints, lamp assemblies, etc., the failure of which would affect the capability of the liner to safely contain a fire.

(3) There must be no flame penetration of any specimen within 5 minutes after application of the flame source, and the peak temperature measured at 10 cm (4 inches) above the upper surface of the horizontal test sample must not exceed 204°C (400°F).

(b) *Summary of Method.* This method provides a laboratory test procedure for measuring the capability of cargo compartment lining materials to resist flame penetration within a 7.6 l/hr (2 US gallons/hour) # 2 Grade kerosene or equivalent burner fire source. Ceiling and sidewall liner panels may be tested individually provided a baffle is used to simulate the missing panel. Any specimen that passes the test as a ceiling liner panel may be used as a sidewall liner panel.

(c) *Test Specimens*

(1) The specimen to be tested must measure 406 ± 3 mm (16 ± 0.125 inches) by 610 ± 3 mm (24 ± 0.125 inches).

(2) The specimens must be conditioned at 70°F ± 5°F (21°C ± 2°C) and 55% ± 5% humidity for at least 24 hours before testing.

(d) *Test Apparatus.* The arrangement of the test apparatus, which is shown in Figure 3 of Part II and Figures 1 through 3 of this Part of Appendix F, must include the components described in this paragraph. Minor details of the apparatus may vary, depending on the model of the burner used.

(1) *Specimen Mounting Stand.* The mounting stand for the test specimens consists of steel angles as shown in Figure 1.

(2) *Test Burner.* The burner to be used in testing must –

(i) Be a modified gun type.

(ii) Use a suitable nozzle and maintain fuel pressure to yield a 7.6 l/hr (2 US gallons/hour) fuel flow. For example: an 80-degree nozzle nominally rated at 8.5 l/hr (2.25 US gallons/hour) and operated at 586 Kpa (85 pounds per square inch) gauge to deliver 7.7 l/hr (2.03 US gallons/hour).

(iii) Have a 31 cm (12 inch) burner extension installed at the end of the draft tube with an opening 15 cm (6 inches) high and 28 cm (11 inches) wide as shown in Figure 3 of Part II of this Appendix.

(iv) Have a burner fuel pressure regulator that is adjusted to deliver a nominal 7.6 l/hr (2.0 US gallons/hour) of # 2 Grade kerosene or equivalent.

(3) *Calorimeter*

(i) The calorimeter to be used in testing must be a total heat flux Foil Type Gardon Gauge of an appropriate range, approximately 0–17.0 Watts/cm² (0 to 15.0 BTU per ft² sec). The calorimeter must be mounted in a 15 by 31 cm (6 inch by 12 inch) by 19 mm (0.75 of an inch) thick insulating block which is attached to a steel angle bracket for placement in the test stand during burner calibration as shown in Figure 2 of this Part of this Appendix.

(ii) The insulating block must be monitored for deterioration and the mounting shimmed as necessary to ensure that the calorimeter face is parallel to the exit plane of the test burner cone.

(4) *Thermocouples.* The seven thermocouples to be used for testing must be 1.59 mm (0.0625 of an inch) ceramic sheathed, type K, grounded thermocouples with a nominal 30 American wire gauge (AWG)-size conductor 0.254 mm (0.010 inches) diameter). The seven thermocouples must be attached to a steel angle bracket to form a thermocouple rake for placement in the

CS-25 BOOK 1

stand during burner calibration as shown in Figure 3 of this Part of this Appendix.

(5) *Apparatus Arrangement.* The test burner must be mounted on a suitable stand to position the exit of the burner cone a distance of 20 cm (8 inches) from the ceiling liner panel and 50 mm (2 inches) from the sidewall liner panel. The burner stand should have the capability of allowing the burner to be swung away from the test specimen during warm-up periods.

(6) *Instrumentation.* A recording potentiometer or other suitable instrument with an appropriate range must be used to measure and record the outputs of the calorimeter and the thermocouples.

(7) *Timing Device.* A stopwatch or other device must be used to measure the time of flame application and the time of flame penetration, if it occurs.

(e) *Preparation of Apparatus.* Before calibration, all equipment must be turned on and allowed to stabilize, and the burner fuel flow must be adjusted as specified in sub-paragraph (d)(2).

(f) *Calibration.* To ensure the proper thermal output of the burner the following test must be made:

(1) Remove the burner extension from the end of the draft tube. Turn on the blower portion of the burner without turning the fuel or igniters on. Measure the air velocity using a hot wire anemometer in the centre of the draft tube across the face of the opening. Adjust the damper such that the air velocity is in the range of 7.9 m/s to 9.1 m/s (1550 to 1800 ft/min). If tabs are being used at the exit of the draft tube, they must be removed prior to this measurement. Reinstall the draft tube extension cone.

(2) Place the calorimeter on the test stand as shown in Figure 2 at a distance of 20 cm (8 inches) from the exit of the burner cone to simulate the position of the horizontal test specimen.

(3) Turn on the burner, allow it to run for 2 minutes for warm-up, and adjust the damper to produce a calorimeter reading of 9.1 ± 0.6 Watts/cm² (8.0 ± 0.5 BTU per ft² sec).

(4) Replace the calorimeter with the thermocouple rake (see Figure 3).

(5) Turn on the burner and ensure that each of the seven thermocouples reads $927^{\circ}\text{C} \pm 38^{\circ}\text{C}$ ($1700^{\circ}\text{F} \pm 100^{\circ}\text{F}$) to ensure steady state conditions have been achieved. If the temperature is out of this range, repeat steps 2 through 5 until proper readings are obtained.

(6) Turn off the burner and remove the thermocouple rake.

(7) Repeat (f)(1) to ensure that the burner is in the correct range.

(g) *Test Procedure*

(1) Mount a thermocouple of the same type as that used for calibration at a distance of 10 cm (4 inches) above the horizontal (ceiling) test specimen. The thermocouple should be centred over the burner cone.

(2) Mount the test specimen on the test stand shown in Figure 1 in either the horizontal or vertical position. Mount the insulating material in the other position.

(3) Position the burner so that flames will not impinge on the specimen, turn the burner on, and allow it to run for 2 minutes. Rotate the burner to apply the flame to the specimen and simultaneously start the timing device.

(4) Expose the test specimen to the flame for 5 minutes and then turn off the burner. The test may be terminated earlier if flame penetration is observed.

(5) When testing ceiling liner panels, record the peak temperature measured 101 mm (4 inches) above the sample.

(6) Record the time at which flame penetration occurs if applicable.

(h) *Test Report.* The test report must include the following:

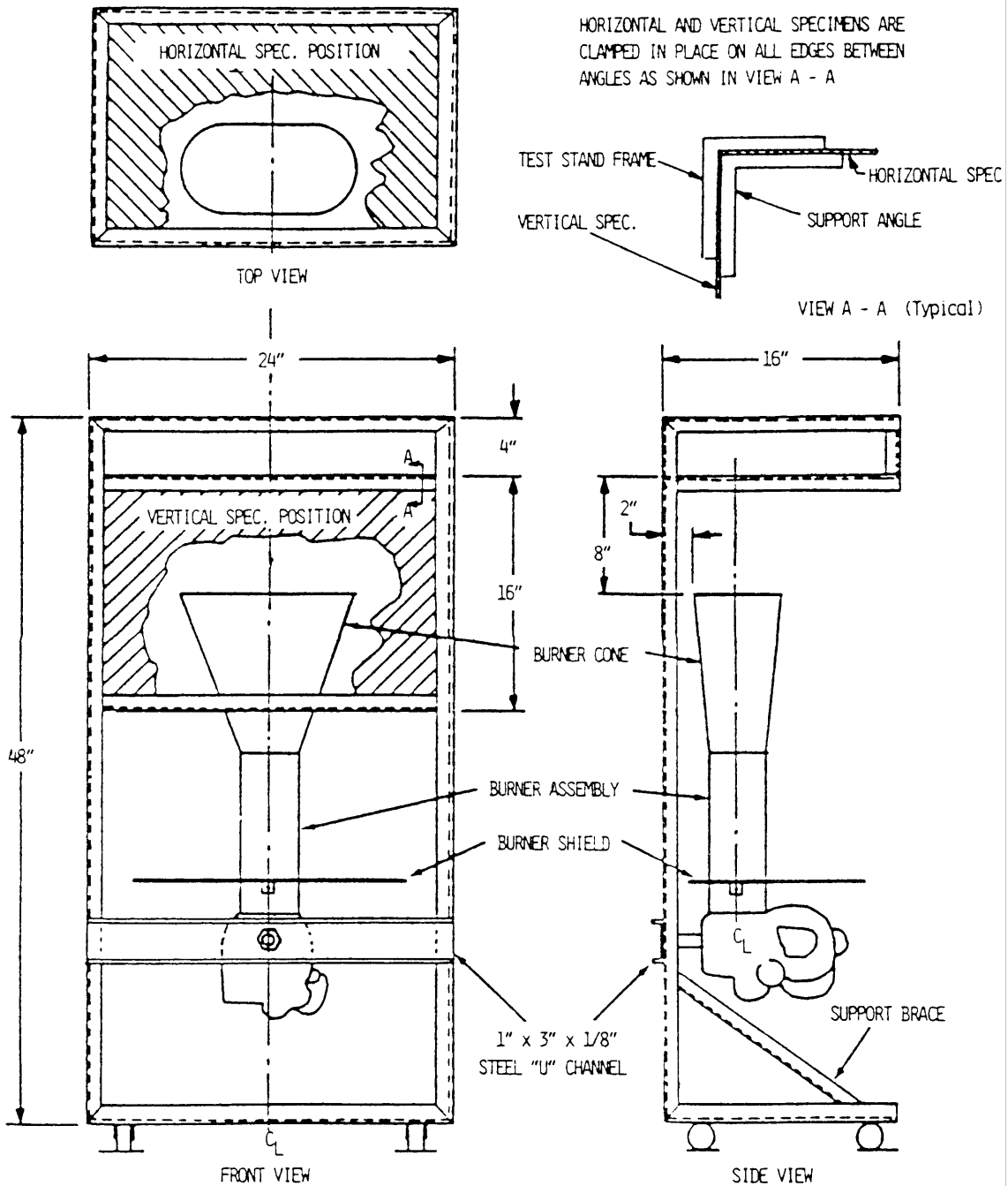
(1) A complete description of the materials tested including type, manufacturer, thickness, and other appropriate data.

(2) Observations of the behaviour of the test specimens during flame exposure such as delamination, resin ignition, smoke, etc., including the time of such occurrence.

(3) The time at which flame penetration occurs, if applicable, for each of three specimens tested.

(4) Panel orientation (ceiling or sidewall).

CS-25 BOOK 1



TEST STAND IS CONSTRUCTED WITH 1" x 1" x 1/8" STEEL ANGLES, ALL JOINTS WELDED
 SUPPORT ANGLES ARE 1" x 1" x 1/8" CUT TO FIT

FIGURE 1 TEST APPARATUS FOR HORIZONTAL AND VERTICAL MOUNTING

CS-25 BOOK 1

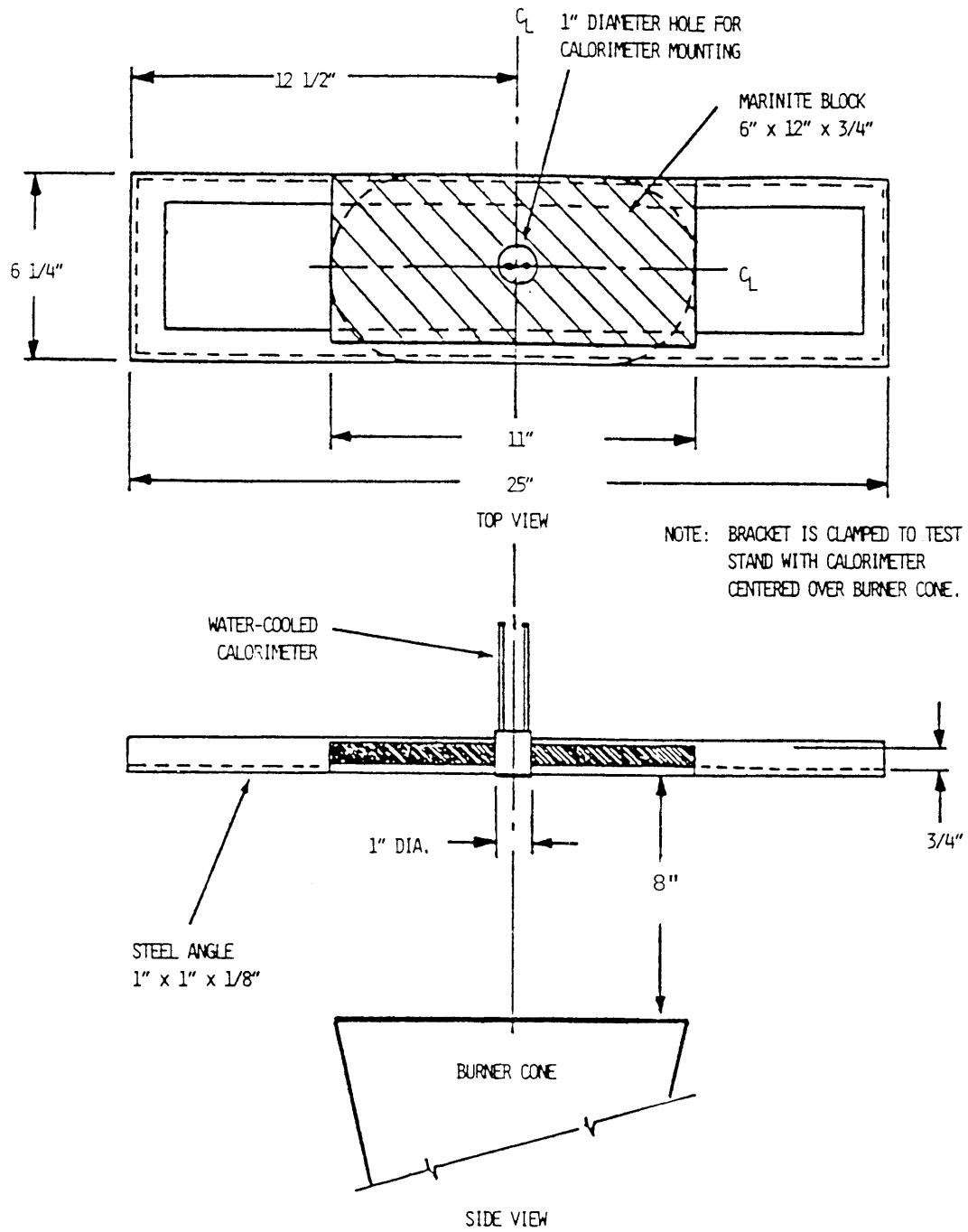


FIGURE 2 CALORIMETER BRACKET

CS-25 BOOK 1

Appendix F

Part IV – Test Method to Determine the Heat Release Rate From Cabin Materials Exposed to Radiant Heat

(See AMC Appendix F, Part IV)

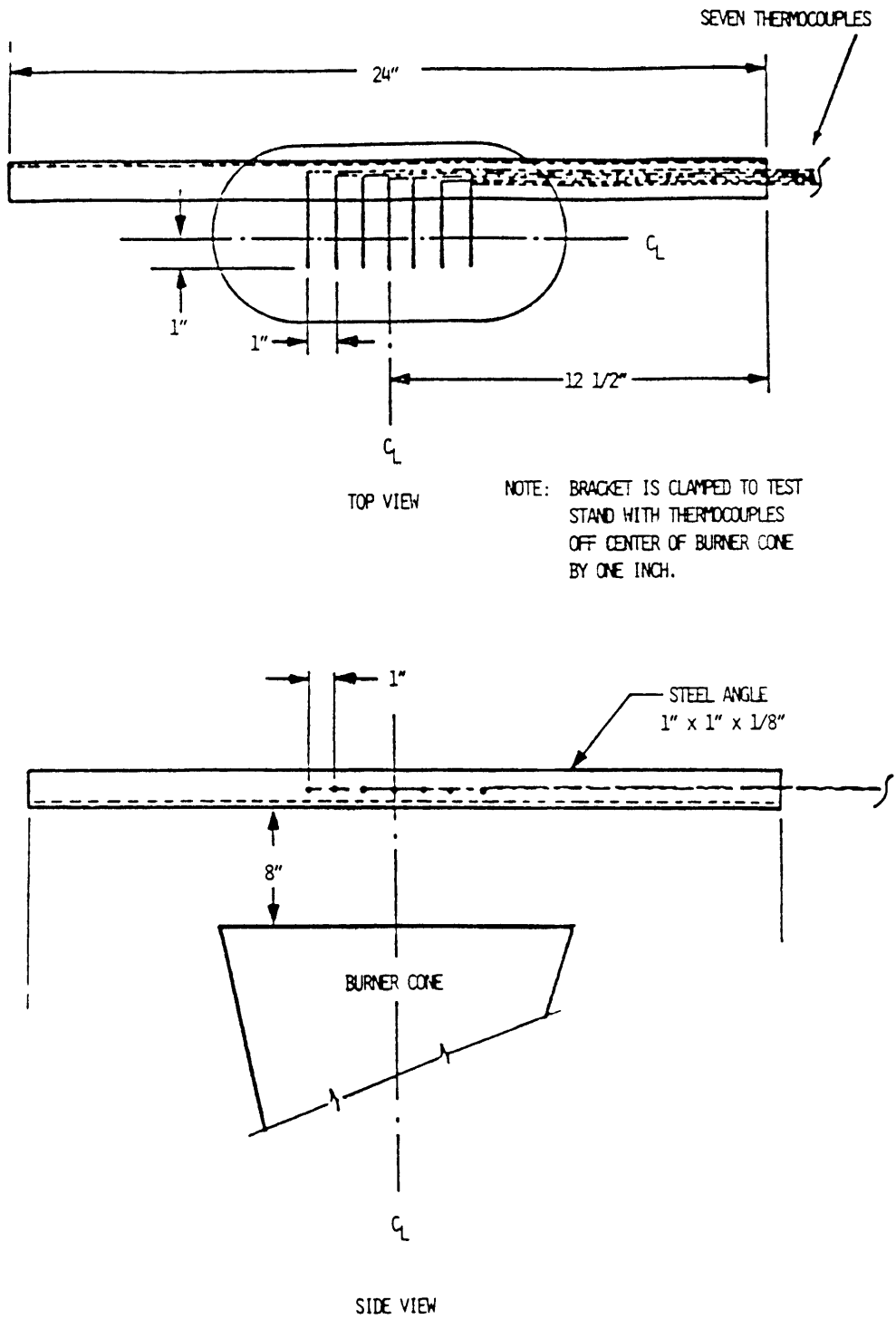


FIGURE 3 THERMOCOUPLE RAKE BRACKET

CS-25 BOOK 1

Appendix F

Part IV – Test Method to Determine the Heat Release Rate From Cabin Materials Exposed to Radiant Heat

(See AMC Appendix F, Part IV)

(a) *Summary of Method*

(1) The specimen to be tested is injected into an environmental chamber through which a constant flow of air passes. The specimen's exposure is determined by a radiant heat source adjusted to produce the desired total heat flux on the specimen of 3.5 Watts/cm², using a calibrated calorimeter. The specimen is tested so that the exposed surface is vertical. Combustion is initiated by piloted ignition. The combustion products leaving the chamber are monitored in order to calculate the release rate of heat.

(b) *Apparatus.* The Ohio State University (OSU) rate of heat release apparatus as described below, is used. This is a modified version of the rate of heat release apparatus standardised by the American Society of Testing and Materials (ASTM), ASTM E-906.

(1) This apparatus is shown in Figure 1. All exterior surfaces of the apparatus, except the holding chamber, shall be insulated with 25 mm thick, low density, high-temperature, fibreglass board insulation. A gasketed door through which the sample injection rod slides forms an airtight closure on the specimen hold chamber.

(2) *Thermopile.* The temperature difference between the air entering the environmental chamber and that leaving is monitored by a thermopile having five hot and five cold, 24 gauge Chromel-Alumel junctions. The hot junctions are spaced across the top of the exhaust stack 10 mm below the top of the chimney. One thermocouple is located in the geometric centre; with the other four located 30 mm from the centre along the diagonal toward each of the corners (Figure 5). The cold junctions are located in the pan below the lower air distribution plate (see sub-paragraph (b)(4)). Thermopile hot junctions must be cleared of soot deposits as needed to maintain the calibrated sensitivity.

(3) *Radiation Source.* A radiant heat source for generating a flux up to 100 kW/m², using four silicon carbide elements, Type LL, 50.8 cm (20 inches) long by 15.8 mm (0.625 inch) O.D., nominal resistance 1.4 ohms, is shown in Figures 2A and 2B. The silicon carbide elements are mounted in the stainless steel panel box by inserting them through

15.9 mm holes in 0.8 mm thick ceramic fibreboard. Location of the holes in the pads and stainless steel cover plates are shown in Figure 2B. The diamond shaped mask of 19-gauge stainless steel is added to provide uniform heat flux over the area occupied by the 150 by 150 mm vertical sample.

(4) *Air Distribution System.* The air entering the environmental chamber is distributed by a 6.3 mm thick aluminium plate having eight, No. 4 drill holes, 51 mm from sides on 102 mm centres, mounted at the base of the environmental chamber. A second plate of 18-gauge steel having 120, evenly spaced, No. 28 drill holes is mounted 150 mm above the aluminium plate. A well-regulated air supply is required. The air supply manifold at the base of the pyramidal section has 48, evenly spaced, No. 26 drill holes located 10 mm from the inner edge of the manifold so that 0.03 m³/second of air flows between the pyramidal sections and 0.01 m³/second flows through the environmental chamber when total air flow to apparatus is controlled at 0.04 m³/second.

(5) *Exhaust Stack.* An exhaust stack, 133 mm by 70 mm in cross section, and 254 mm long, fabricated from 28-gauge stainless steel, is mounted on the outlet of the pyramidal section. A 25 mm by 76 mm plate of 31-gauge stainless steel is centred inside the stack, perpendicular to the airflow, 75 mm above the base of the stack.

(6) *Specimen Holders.* The 150 mm x 150 mm specimen is tested in a vertical orientation. The holder (Figure 3) is provided with a specimen holder frame, which touches the specimen (which is wrapped with aluminium foil as required by sub-paragraph (d)(3)) along only the 6 mm perimeter, and a "V" shaped spring to hold the assembly together. A detachable 12 mm x 12 mm x 150 mm drip pan and two 0.51 mm (0.020 inch) stainless steel wires (as shown in Figure 3) should be used for testing of materials prone to melting and dripping. The positioning of the spring and frame may be changed to accommodate different specimen thicknesses by inserting the retaining rod in different holes on the specimen holder.

Since the radiation shield described in ASTM E-906 is not used, a guide pin is added to the injection mechanism. This fits into a

CS-25 BOOK 1

slotted metal plate on the injection mechanism outside of the holding chamber and can be used to provide accurate positioning of the specimen face after injection. The front surface of the specimen shall be 100 mm from the closed radiation doors after injection.

The specimen holder clips onto the mounted bracket (Figure 3). The mounting bracket is attached to the injection rod by three screws, which pass through a wide area washer welded onto a 13 mm nut. The end of the injection rod is threaded to screw into the nut and a 5.1 mm thick wide area washer is held between two 13 mm nuts which are adjusted to tightly cover the hole in the radiation doors through which the injection rod or calibration calorimeter pass.

(7) *Calorimeter.* A total-flux type calorimeter must be mounted in the centre of a 13 mm Kaowool “M” board inserted in the sample holder must be used to measure the total heat flux. The calorimeter must have a view angle of 180° and be calibrated for incident flux. The calorimeter calibration must be acceptable to the Agency.

(8) *Pilot-Flame Positions.* Pilot ignition of the specimen must be accomplished by simultaneously exposing the specimen to a lower pilot burner and an upper pilot burner, as described in sub-paragraphs (b)(8)(i) and (b)(8)(ii), respectively. The pilot burners must remain lighted for the entire 5-minute duration of the test.

(i) *Lower Pilot Burner.* The pilot-flame tubing must be 6.3 mm O.D., 0.8 mm wall, stainless steel tubing. A mixture of 120 cm³/min. of methane and 850 cm³/min. of air must be fed to the lower pilot flame burner. The normal position of the end of the pilot burner tubing is 10 mm from and perpendicular to the exposed vertical surface of the specimen. The centreline at the outlet of the burner tubing must intersect the vertical centreline of the sample at a point 5 mm above the lower exposed edge of the specimen.

(ii) *Upper Pilot Burner.* The pilot burner must be a straight length of 6.3 mm O.D., 0.8 mm wall, stainless steel tubing 360 mm long. One end of the tubing shall be closed, and three No. 40 drill holes shall be drilled into the tubing, 60 mm apart, for gas ports, all radiating in the same

direction. The first hole must be 5 mm from the closed end of the tubing. The tube is inserted into the environmental chamber through a 6.6 mm hole drilled 10 mm above the upper edge of the window frame. The tube is supported and positioned by an adjustable “Z” shaped support mounted outside the environmental chamber, above the viewing window. The tube is positioned above and 20 mm behind the exposed upper edge of the specimen. The middle hole must be in the vertical plane perpendicular to the exposed surface of the specimen, which passes through its vertical centreline and must be pointed toward the radiation source. The gas supplied to the burner must be methane adjusted to produce flame lengths of 25 mm.

(c) *Calibration of Equipment*

(1) *Heat Release Rate.* A burner as shown in Figure 4 must be placed over the end of the lower pilot flame tubing using a gas-tight connection. The flow of gas to the pilot flame must be at least 99% methane and must be accurately metered. Prior to usage, the wet test meter is properly levelled and filled with distilled water to the tip of the internal pointer while no gas is flowing. Ambient temperature and pressure of the water, are based on the internal wet test meter temperature. A baseline flow rate of approximately 1 litre/min. is set and increased to higher preset flows of 4, 6, 8, 6 and 4 litres/min. The rate is determined by using a stopwatch to time a complete revolution of the wet test meter for both the baseline and higher flow, with the flow returned to baseline before changing to the next higher flow. The thermopile baseline voltage is measured. The gas flow to the burner must be increased to the higher preset flow and allowed to burn for 2.0 minutes, and the thermopile voltage must be measured. The sequence is repeated until all five values have been determined. The average of the five values must be used as the calibration factor. The procedure must be repeated if the percent relative standard deviation is greater than 5%. Calculations are shown in paragraph (f).

(2) *Flux Uniformity.* Uniformity of flux over the specimen must be checked periodically and after each heating element change to determine if it is within acceptable limits of ± 5%.

(d) *Sample Preparation*

CS-25 BOOK 1

(1) The standard size for vertically mounted specimens is 150 x 150 mm with thicknesses up to 45 mm.

(2) *Conditioning.* Specimens must be conditioned as described in Part 1 of this Appendix.

(3) *Mounting.* Only one surface of a specimen will be exposed during a test. A single layer of 0.025 mm aluminium foil is wrapped tightly on all unexposed sides.

(e) *Procedure*

(1) The power supply to the radiant panel is set to produce a radiant flux of 3.5 Watts/cm². The flux is measured at the point, which the centre of the specimen surface will occupy when positioned for test. The radiant flux is measured after the airflow through the equipment is adjusted to the desired rate. The sample should be tested in its end use thickness.

(2) The pilot flames are lighted and their position, as described in sub-paragraph (b)(8), is checked.

(3) The airflow to the equipment is set at 0.04 ± 0.001 m³/s at atmospheric pressure. Proper air flow may be set and monitored by either: (1) An orifice meter designed to produce a pressure drop of at least 200 mm of the manometric fluid, or by (2) a rotometer (variable orifice meter) with a scale capable of being read to ± 0.0004 m³/s. The stop on the vertical specimen holder rod is adjusted so that the exposed surface of the specimen is positioned 100 mm from the entrance when injected into the environmental chamber.

(4) The specimen is placed in the hold chamber with the radiation doors closed. The airtight outer door is secured, and the recording devices are started. The specimen must be retained in the hold chamber for 60 seconds ± 10 seconds, before injection. The thermopile "zero" value is determined during the last 20 seconds of the hold period.

(5) When the specimen is to be injected, the radiation doors are opened, the specimen is injected into the environmental chamber, and the radiation doors are closed behind the specimen.

(6) Reserved.

(7) Injection of the specimen and closure of the inner door marks time zero. A continuous record of the thermopile output

with at least one data point per second must be made during the time the specimen is in the environmental chamber.

(8) The test duration time is five minutes.

(9) A minimum of three specimens must be tested.

(f) *Calculations*

(1) The calibration factor is calculated as follows:

$$K_h = \frac{(F_1 - F_0)}{(V_1 - V_0)} \times \frac{(210 \cdot 8 - 22) \text{kcal}}{\text{mole}} \times \frac{273}{T_a} \times \frac{P - P_v}{760} \times \frac{\text{mole CH}_4\text{STP}}{22 \cdot 41} \times \frac{\text{WATT} \cdot \text{min}}{0.1433 \text{kcal}} \times \frac{\text{kW}}{1000\text{W}}$$

F_0 = Flow of methane at baseline (1pm)

F_1 = Higher preset flow of methane (1pm)

V_0 = Thermopile voltage at baseline (mv)

V_1 = Thermopile voltage at higher flow (mv)

T_a = Ambient temperature (K)

P = Ambient pressure (mm Hg)

P_v = Water vapour pressure (mm Hg)

(2) Heat release rates may be calculated from the reading of the thermopile output voltage at any instant of time as:

$$\text{HRR} = \frac{V_m - V_b}{0.02323 \text{m}^2} \times K_h$$

HRR = Heat Release Rate kW/m²

V_m = Measured thermopile voltage (mv)

V_b = Baseline voltage (mv)

K_h = Calibration Factor (kW/mv)

(3) The integral of the heat release rate is the total heat release as a function of time and is calculated by multiplying the rate by the data sampling frequency in minutes and summing the time from zero to two minutes.

(g) *Criteria.* The total positive heat release over the first two minutes of exposure for each of the three or more samples tested must be averaged, and the peak heat release rate for each of the samples must be averaged. The average total heat release must not exceed 65 kilowatt-minutes per square metre, and the average peak heat release rate must not exceed 65 kilowatts per square metre.

(h) *Report.* The test report must include the following for each specimen tested:

CS-25 BOOK 1

- (1) Description of the specimen.
- (2) Radiant heat flux to the specimen, expressed in Watts/cm².
- (3) Data giving release rates of heat (in kW/m²) as a function of time, either graphically or tabulated at intervals no greater than 10 seconds. The calibration factor (Kh) must be recorded.
- (4) If melting, sagging, delaminating, or other behaviour that affects the exposed surface area or the mode of burning occurs, these behaviours must be reported, together with the time at which such behaviours were observed.
- (5) The peak heat release and the 2 minute integrated heat release rate must be reported.

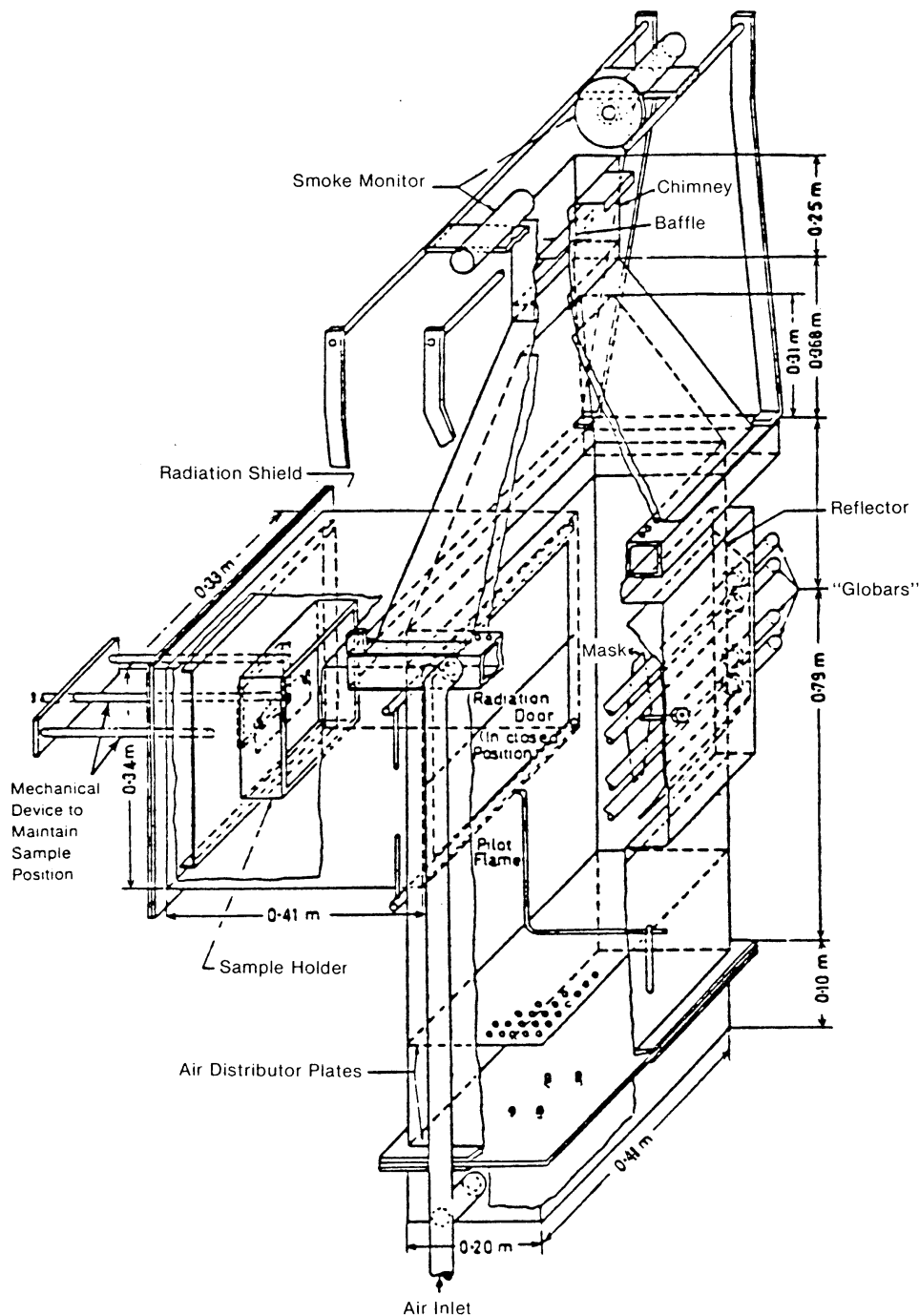
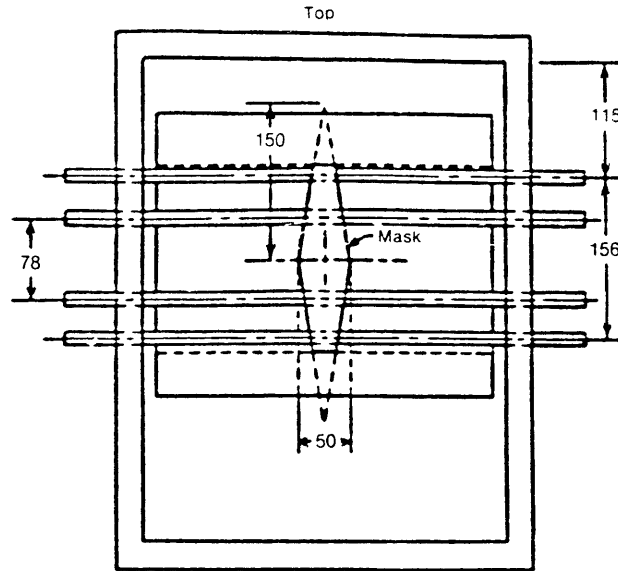


FIGURE 1. RELEASE RATE APPARATUS

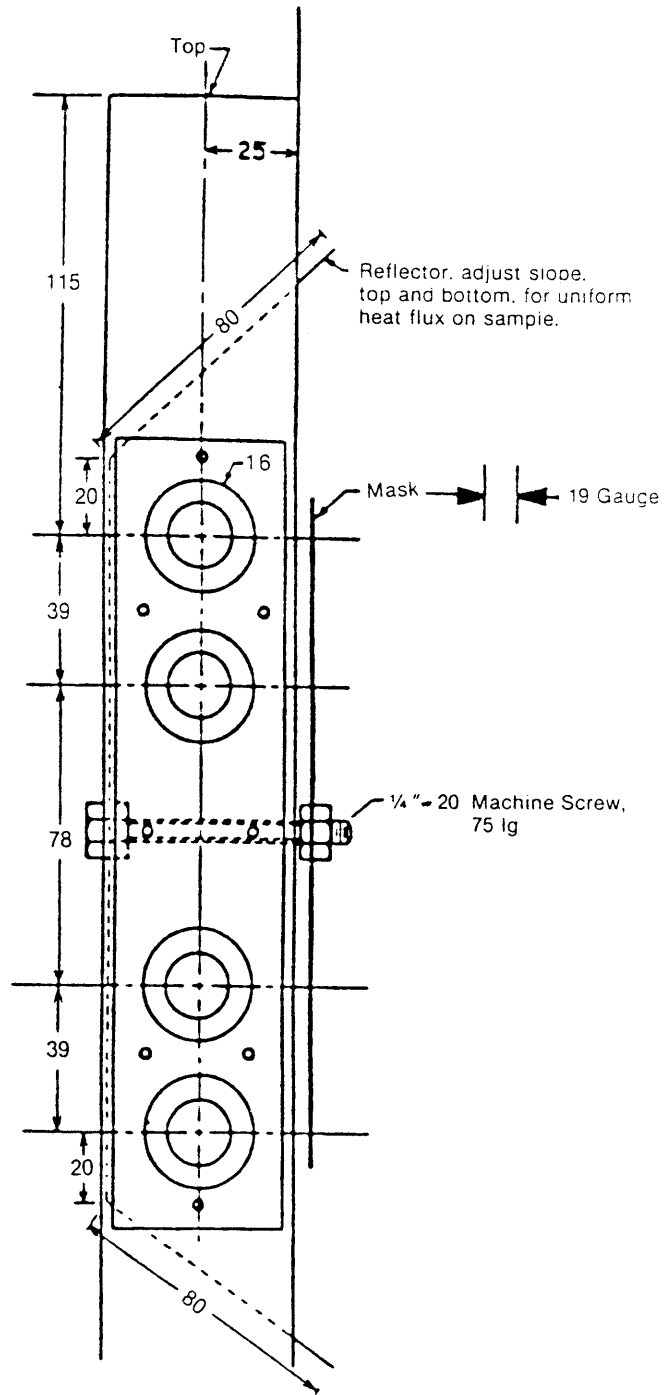
CS-25 BOOK 1



(Unless denoted otherwise, all dimensions are in millimetres.)

FIGURE 2A. "GLOBAR" RADIANT PANEL

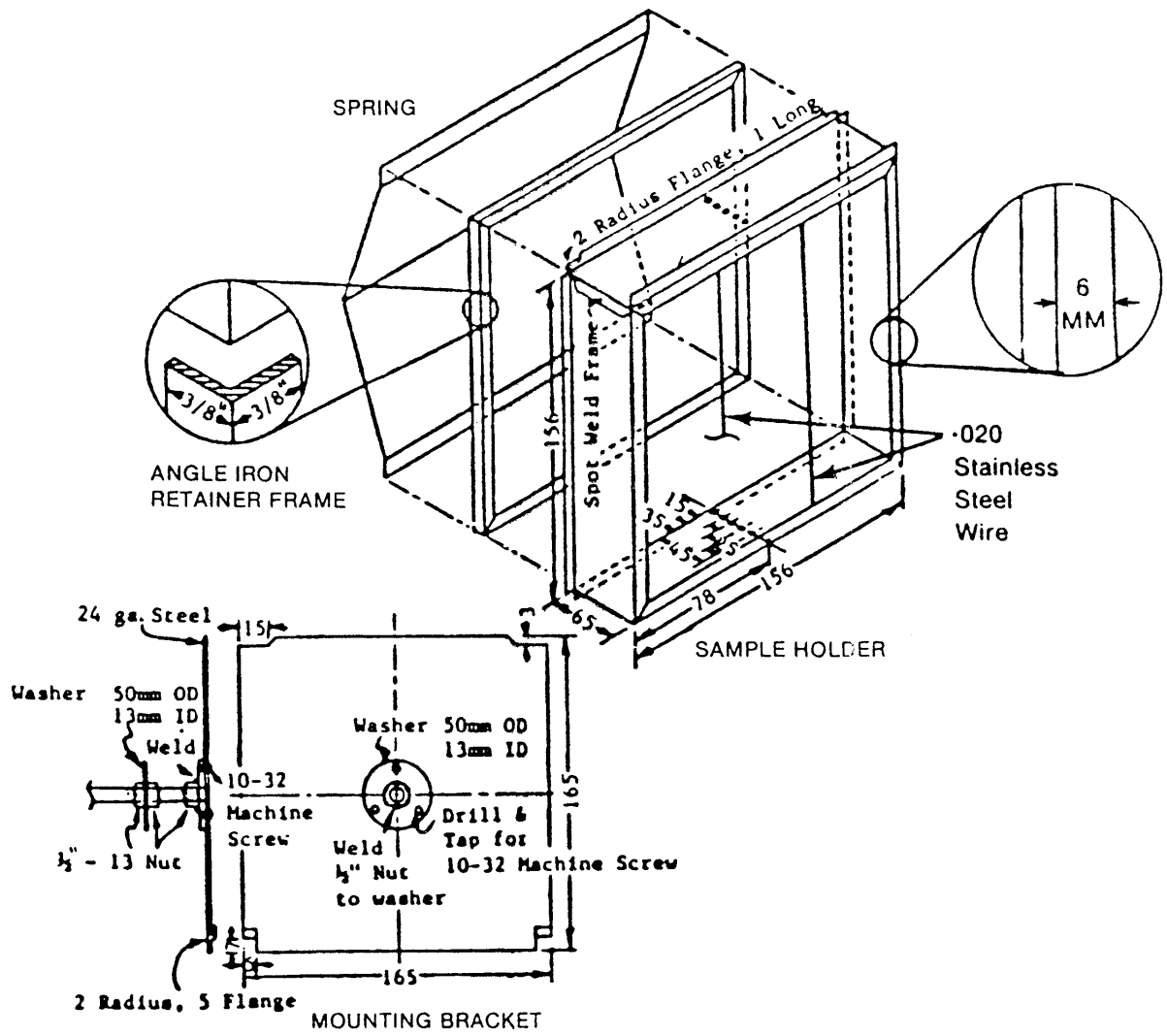
CS-25 BOOK 1



(Unless denoted otherwise, all dimensions are in millimetres.)

FIGURE 2B. "GLOBAR" RADIANT PANEL

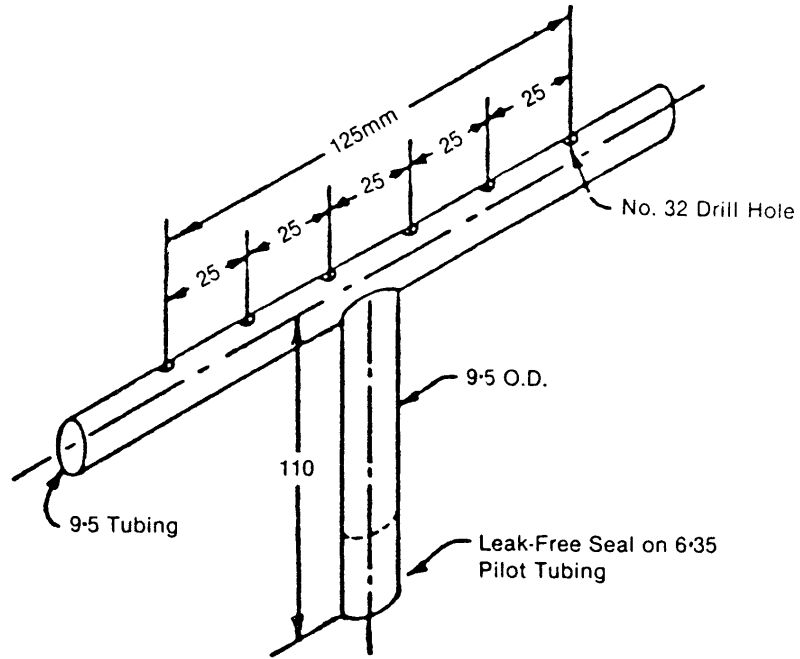
CS-25 BOOK 1



(Unless denoted otherwise, all dimensions are in millimetres.)

FIGURE 3.

CS-25 BOOK 1



(Unless denoted otherwise, all dimensions are in millimetres.)

FIGURE 4.

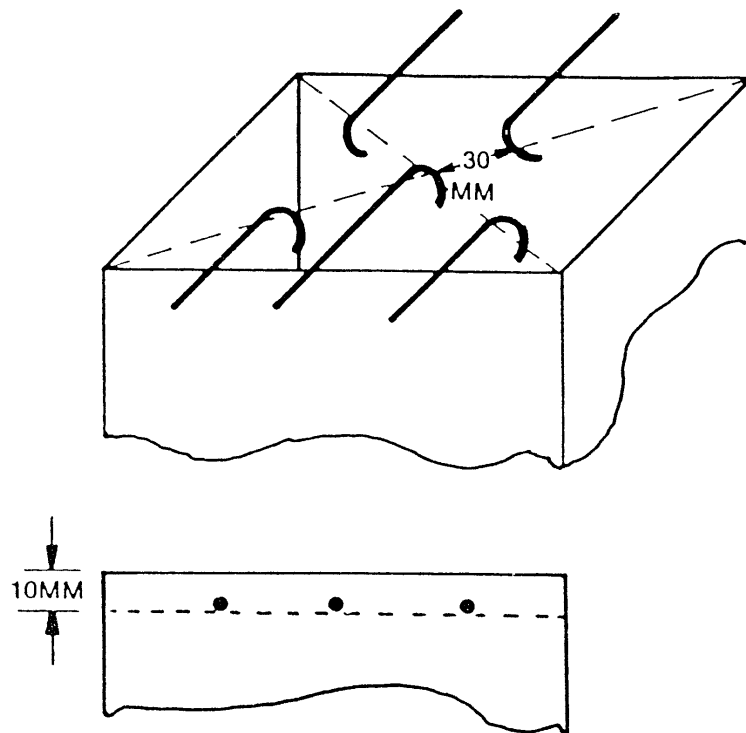


FIGURE 5. THERMOCOUPLE POSITION

CS-25 BOOK 1**Appendix F****Part V – Test Method to Determine the Smoke Emission Characteristics of Cabin Materials**

(a) *Summary of Method.* The specimens must be constructed, conditioned, and tested in the flaming mode in accordance with American Society of Testing and Materials (ASTM) Standard Test Method ASTM F814-83.

(b) *Acceptance Criteria.* The specific optical smoke density (Ds) which is obtained by averaging the reading obtained after 4 minutes with each of the three specimens, shall not exceed 200.

CS-25 BOOK 1

Appendix F

Part VI – Test Method to Determine the Flammability and Flame Propagation Characteristics of Thermal/Acoustic Insulation Materials

Use this test method to evaluate the flammability and flame propagation characteristics of thermal/acoustic insulation when exposed to both a radiant heat source and a flame.

(a) *Definitions.*

“Flame propagation” means the furthest distance of the propagation of visible flame towards the far end of the test specimen, measured from the midpoint of the ignition source flame. Measure this distance after initially applying the ignition source and before all flame on the test specimen is

extinguished. The measurement is not a determination of burn length made after the test.

“Radiant heat source” means an electric or air propane panel.

“Thermal/acoustic insulation” means a material or system of materials used to provide thermal and/or acoustic protection. Examples include fibreglass or other batting material encapsulated by a film covering and foams.

“Zero point” means the point of application of the pilot burner to the test specimen.

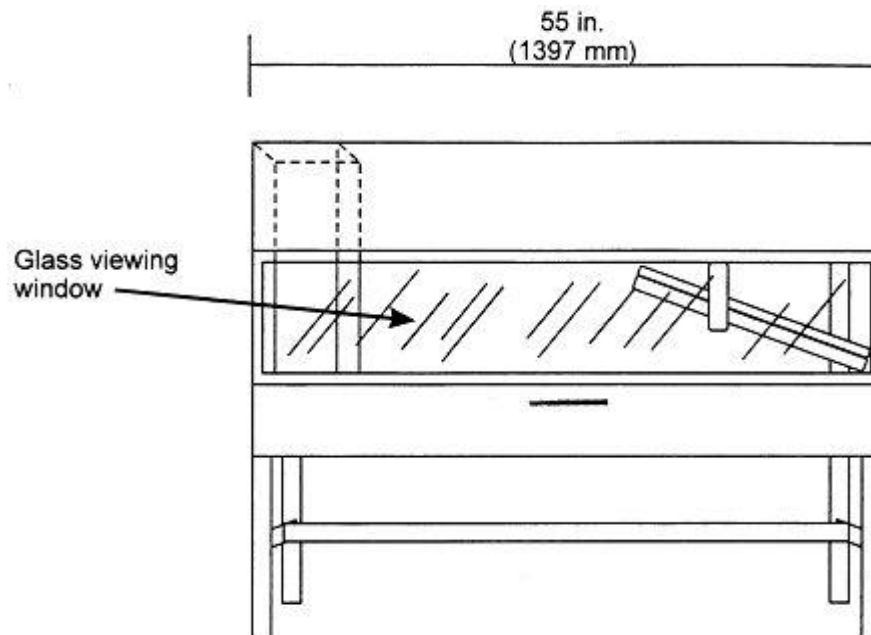


Figure 1 - Radiant Panel Test Chamber

(b) *Test apparatus*

(1) *Radiant panel test chamber.* Conduct tests in a radiant panel test chamber (see figure 1 above). Place the test chamber under an exhaust hood to facilitate clearing the chamber of smoke after each test. The radiant panel test chamber must be an enclosure 1397 mm (55 inches) long by 495 mm (19.5 inches) deep by 710 mm (28 inches) to 762 mm (maximum) (30

inches) above the test specimen. Insulate the sides, ends, and top with a fibrous ceramic insulation, such as Kaowool M™ board. On the front side, provide a 52 by 12-inch (1321 by 305 mm) draft-free, high-temperature, glass window for viewing the sample during testing. Place a door below the window to provide access to the movable specimen platform holder. The bottom of the test chamber must be a sliding steel platform that has

CS-25 BOOK 1

provision for securing the test specimen holder in a fixed and level position. The chamber must have an internal chimney with exterior dimensions of 129 mm (5.1 inches) wide, by 411 mm (16.2 inches) deep by 330 mm (13 inches) high at the opposite end of the chamber from the

radiant energy source. The interior dimensions must be 114 mm (4.5 inches) wide by 395 mm (15.6 inches) deep. The chimney must extend to the top of the chamber (see figure 2).

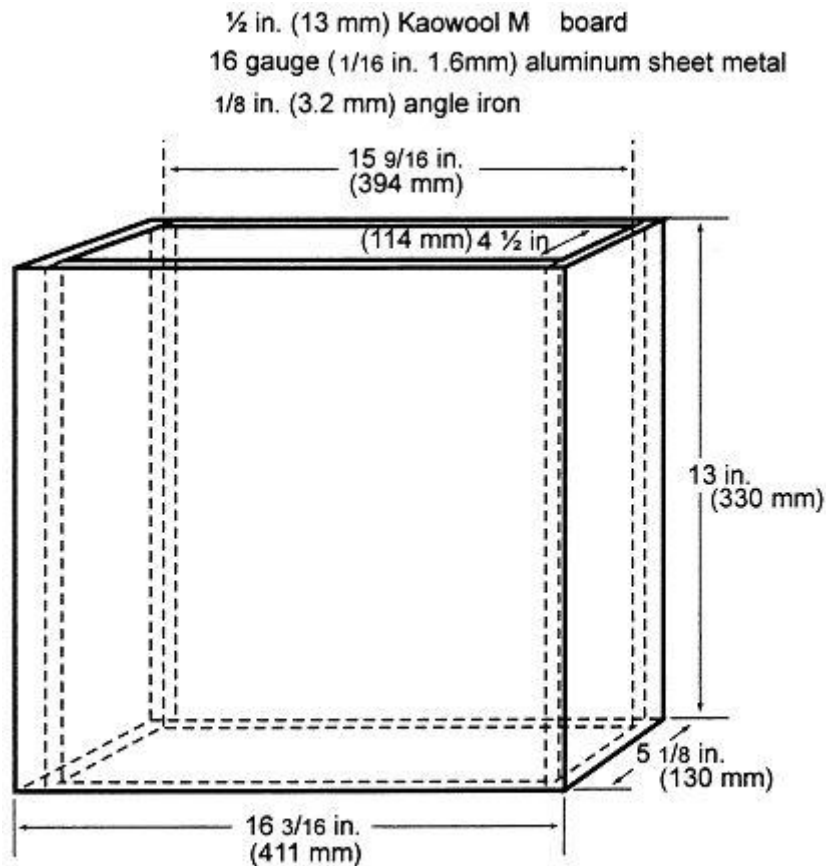


Figure 2 - Internal Chimney

(2) *Radiant heat source.* Mount the radiant heat energy source in a cast iron frame or equivalent. An electric panel must have six, 76 mm (3-inch) wide emitter strips. The emitter strips must be perpendicular to the length of the panel. The panel must have a radiation surface of 327 by 470 mm ($12\frac{7}{8}$ by $18\frac{1}{2}$ inches). The panel must be capable of

operating at temperatures up to 704°C (1300°F). An air propane panel must be made of a porous refractory material and have a radiation surface of 305 by 457 mm (12 by 18 inches). The panel must be capable of operating at temperatures up to 816°C (1500°F). See figures 3a and 3b.

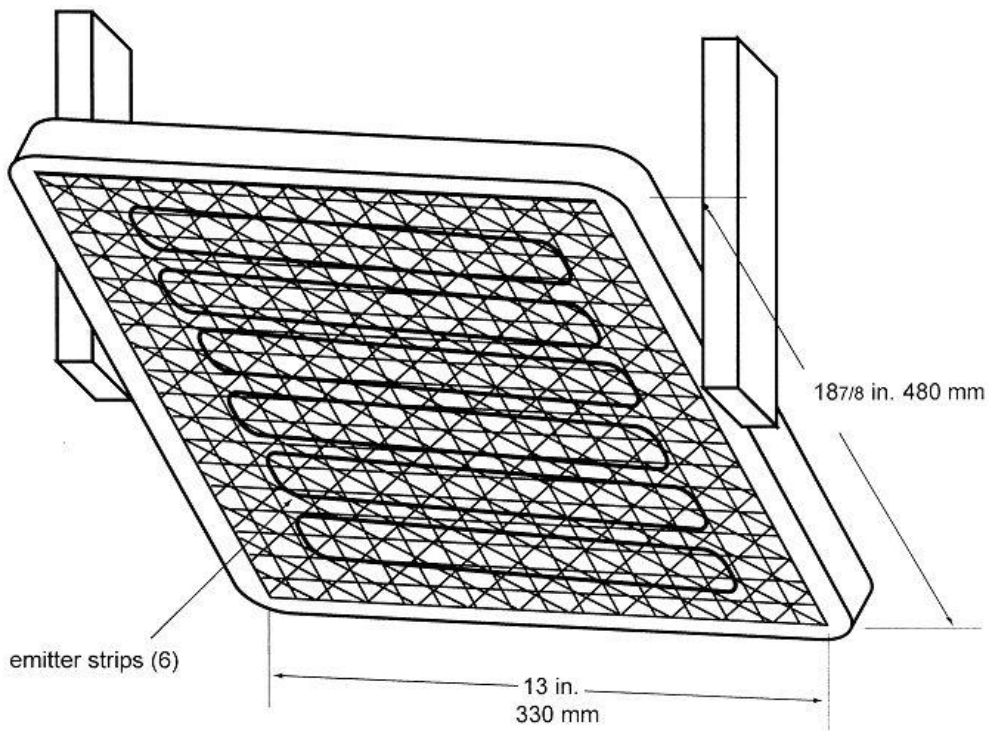


Figure 3a – Electric Panel

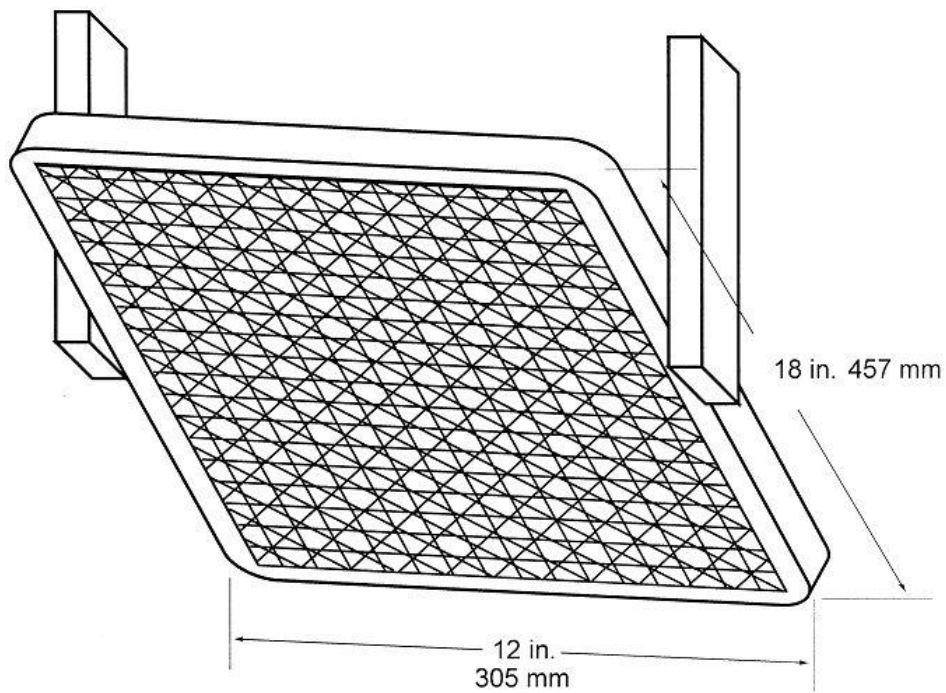


Figure 3b – Air Propane Radiant Panel

CS-25 BOOK 1

(i) *Electric radiant panel.* The radiant panel must be 3-phase and operate at 208 volts. A single-phase, 240 volt panel is also acceptable. Use a solid-state power controller and microprocessor-based controller to set the electric panel operating parameters.

(ii) *Gas radiant panel.* Use propane (liquid petroleum gas—2.1 UN 1075) for the radiant panel fuel. The panel fuel system must consist of a venturi-type aspirator for mixing gas and air at approximately atmospheric pressure. Provide suitable instrumentation for monitoring and controlling the flow of fuel and air to the panel. Include an air flow gauge, an air flow regulator, and a gas pressure gauge.

(iii) *Radiant panel placement.* Mount the panel in the chamber at 30° to the horizontal specimen plane, and 19 cm (7 ½ inches) above the zero point of the specimen.

(3) *Specimen holding system.*

(i) The sliding platform serves as the housing for test specimen placement. Brackets may be attached (via wing nuts) to the top lip of the platform in order to accommodate various thicknesses of test specimens. Place the test specimens on a sheet of Kaowool M™ board or 1260 Standard Board (manufactured by Thermal Ceramics and available in Europe), or equivalent, either resting on the bottom lip of the sliding platform or on the base of the brackets. It may be necessary to use multiple sheets of material based on the thickness of the test specimen (to meet the sample height requirement). Typically, these non-combustible sheets of material are available in 6 mm (¼ inch) thicknesses. See figure 4. A sliding platform that is deeper than the 50.8 mm (2-inch) platform shown in figure 4 is also acceptable as long as the sample height requirement is met.

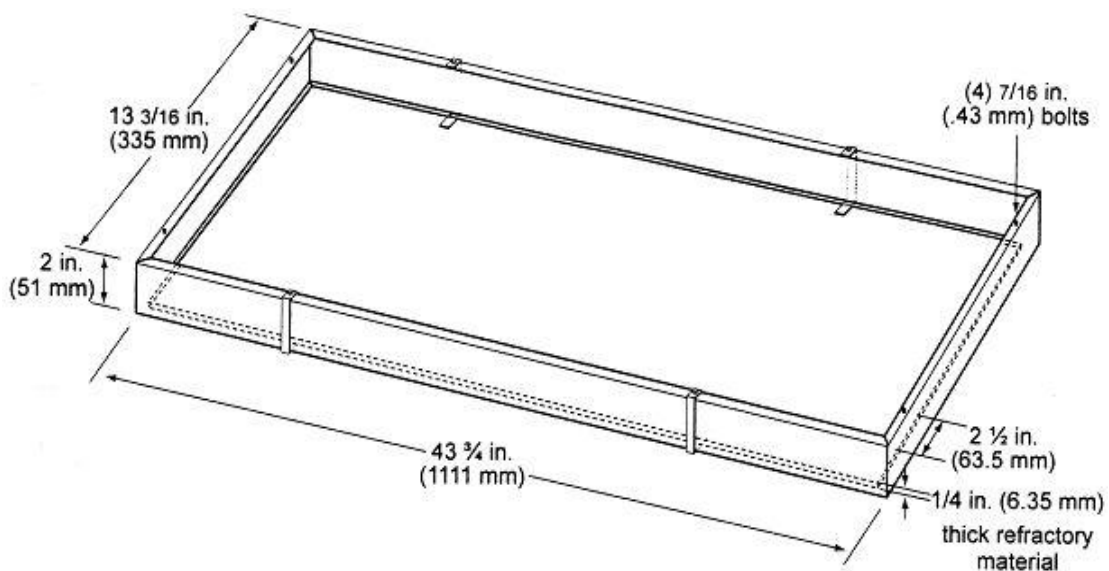


Figure 4 - Sliding Platform

(ii) Attach a 13 mm (½ inch) piece of Kaowool M™ board or other high temperature material measuring 1054 by

210 mm (41½ by 8¼ inches) to the back of the platform. This board serves as a heat retainer and protects the test

CS-25 BOOK 1

specimen from excessive preheating. The height of this board must not impede the sliding platform movement (in and out of the test chamber). If the platform has been fabricated such that the back side of the platform is high enough to prevent excess preheating of the specimen when the sliding platform is out, a retainer board is not necessary.

(iii) Place the test specimen horizontally on the non-combustible board(s). Place a steel retaining/securing

frame fabricated of mild steel, having a thickness of 3.2 mm ($\frac{1}{8}$ inch) and overall dimensions of 584 by 333 mm (23 by $13\frac{1}{8}$ inches) with a specimen opening of 483 by 273 mm (19 by $10\frac{3}{4}$ inches) over the test specimen. The front, back, and right portions of the top flange of the frame must rest on the top of the sliding platform, and the bottom flanges must pinch all 4 sides of the test specimen. The right bottom flange must be flush with the sliding platform. See figure 5.

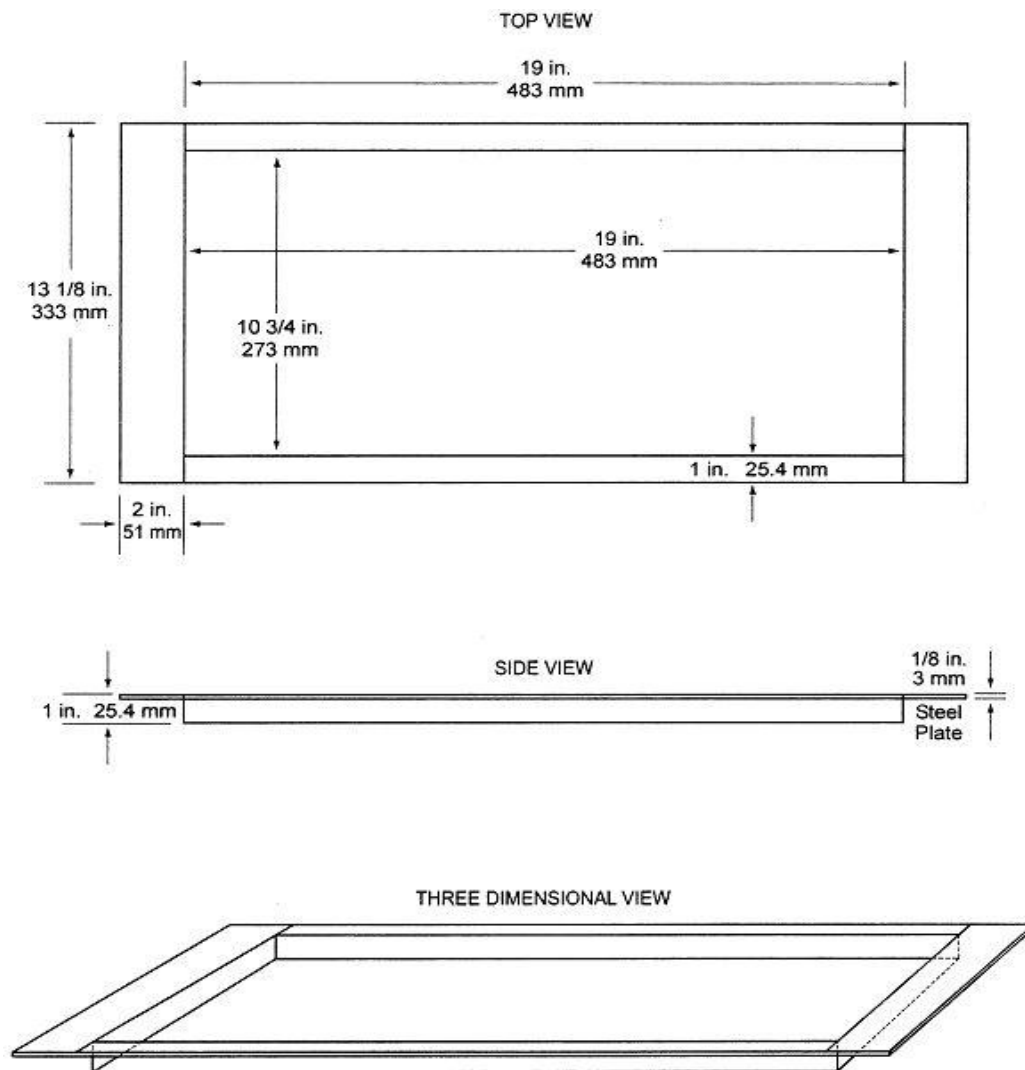


Figure 5: 3 views

(4) *Pilot Burner*. The pilot burner used to ignite the specimen must be a Bernzomatic™ (or equivalent) commercial propane venturi torch with an axially symmetric burner tip and a

propane supply tube with an orifice diameter of 0.15 mm (0.006 inches). The length of the burner tube must be 71 mm ($2\frac{7}{8}$ inches). The propane flow must be adjusted via gas pressure through an in-

CS-25 BOOK 1

line regulator to produce a blue inner cone length of 19 mm ($\frac{3}{4}$ inch). A 19 mm ($\frac{3}{4}$ inch) guide (such as a thin strip of metal) may be soldered to the top of the burner to aid in setting the flame height. The overall flame length must be

approximately 127 mm (5 inches) long. Provide a way to move the burner out of the ignition position so that the flame is horizontal and at least 50 mm (2 inches) above the specimen plane. See figure 6.

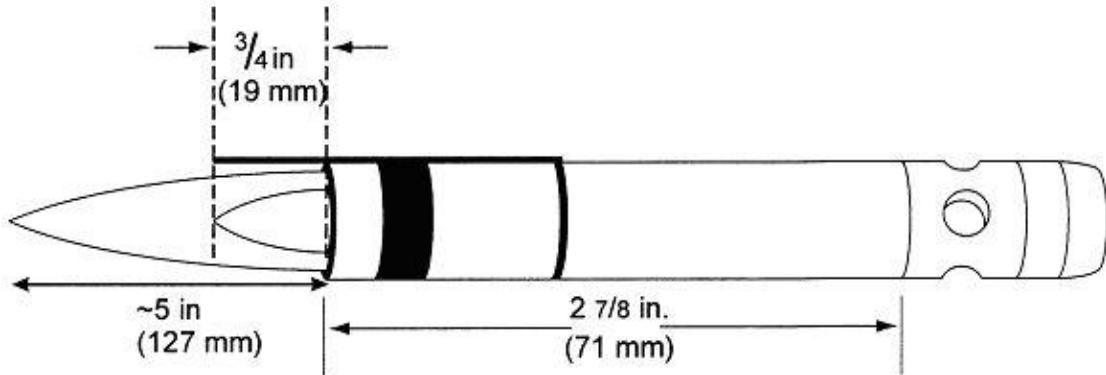


Figure 6 – Propane Pilot Burner

(5) *Thermocouples.* Install a 24 American Wire Gauge (AWG) Type K (Chromel-Alumel) thermocouple in the test chamber for temperature monitoring. Insert it into the chamber through a small hole drilled through the back of the chamber. Place the thermocouple so that it extends 279 mm (11 inches) out from the back of the chamber wall, 292 mm (11½ inches) from the right side of the chamber wall, and is 51 mm (2 inches) below the radiant panel. The use of other thermocouples is optional.

(6) *Calorimeter.* The calorimeter must be a one-inch cylindrical water-cooled, total heat flux density, foil type Gardon Gage that has a range of 0 to 5.7 Watts/cm² (0 to 5 BTU/ft² sec).

(7) *Calorimeter calibration specification and procedure.*

(i) *Calorimeter specification.*

(A) Foil diameter must be 6.35 ± 0.13 mm (0.25 ± 0.005 inches).

(B) Foil thickness must be 0.013 ± 0.0025 mm (0.0005 ± 0.0001 inches).

(C) Foil material must be thermocouple grade Constantan.

(D) Temperature measurement must be a Copper Constantan

thermocouple.

(E) The copper center wire diameter must be 0.013 mm (0.0005 inches).

(F) The entire face of the calorimeter must be lightly coated with “Black Velvet” paint having an emissivity of 96 or greater.

(ii) *Calorimeter calibration.*

(A) The calibration method must be by comparison to a like standardized transducer.

(B) The standardized transducer must meet the specifications given in paragraph (b)(6) of Part VI of this Appendix.

(C) Calibrate the standard transducer against a primary standard traceable to the National Institute of Standards and Technology (NIST).

(D) The method of transfer must be a heated graphite plate.

(E) The graphite plate must be electrically heated, have a clear surface area on each side of the plate of at least 51 by 51 mm (2 by 2 inches), and be 3.2 ± 1.6 mm ($\frac{1}{8}$ ± $\frac{1}{16}$ inch) thick.

CS-25 BOOK 1

(F) Center the 2 transducers on opposite sides of the plates at equal distances from the plate.

(G) The distance of the calorimeter to the plate must be no less than 1.6 mm (0.0625 inches), nor greater than 9.5 mm (0.375 inches).

(H) The range used in calibration must be at least 0–3.9 Watts/cm² (0–3.5 BTUs/ft² sec) and no greater than 0–6.4 Watts/cm² (0–5.7 BTUs/ft² sec).

(I) The recording device used must record the 2 transducers simultaneously or at least within 1/10 of each other.

(8) *Calorimeter fixture.* With the sliding platform pulled out of the chamber, install the calorimeter holding frame and place a sheet of non-combustible material in the bottom of the sliding platform adjacent to the holding frame. This will prevent heat losses

during calibration. The frame must be 333 mm (13 1/8 inches) deep (front to back) by 203 mm (8 inches) wide and must rest on the top of the sliding platform. It must be fabricated of 3.2 mm (1/8 inch) flat stock steel and have an opening that accommodates a 12.7 mm (1/2 inch) thick piece of refractory board, which is level with the top of the sliding platform. The board must have three 25.4 mm (1 inch) diameter holes drilled through the board for calorimeter insertion. The distance to the radiant panel surface from the centreline of the first hole (“zero” position) must be 191 ± 3 mm (7 1/2 ± 1/8 inches). The distance between the centreline of the first hole to the centreline of the second hole must be 51 mm (2 inches). It must also be the same distance from the centreline of the second hole to the centreline of the third hole. See figure 7. A calorimeter holding frame that differs in construction is acceptable as long as the height from the centreline of the first hole to the radiant panel and the distance between holes is the same as described in this paragraph.

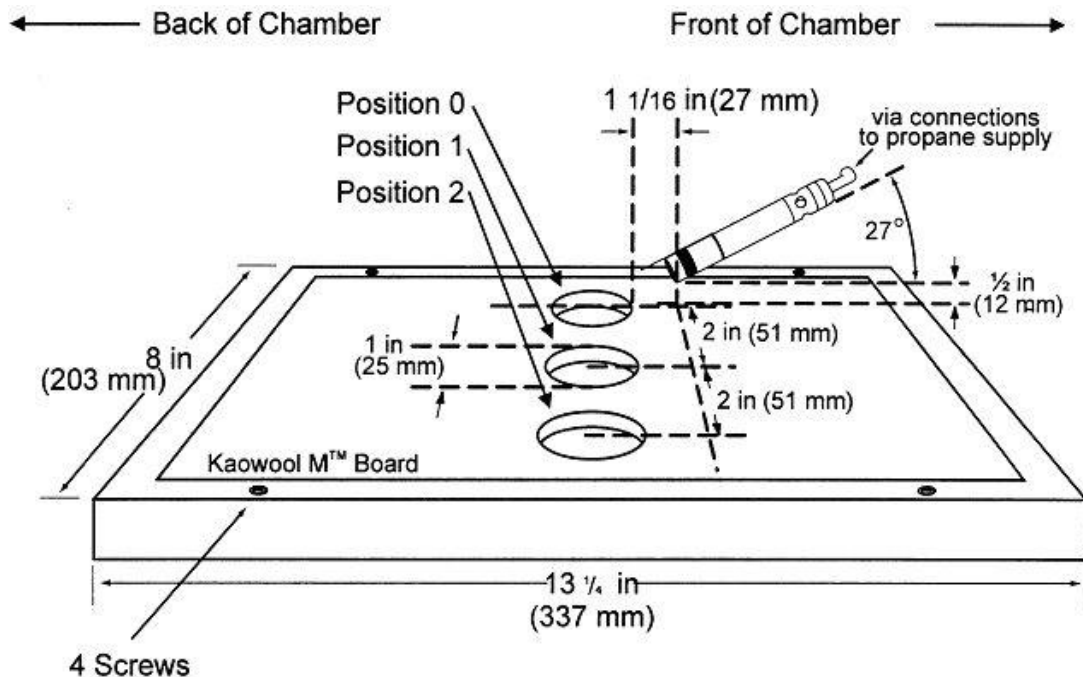


Figure 7 - Calorimeter Holding Frame

(9) *Instrumentation.* Provide a calibrated recording device with an appropriate range or a computerized data acquisition system to measure and record the outputs of the calorimeter and the thermocouple. The data

acquisition system must be capable of recording the calorimeter output every second during calibration.

(10) *Timing device.* Provide a stopwatch or other device, accurate to ± 1 second/hour,

CS-25 BOOK 1

to measure the time of application of the pilot burner flame.

(c) *Test specimens.*

(1) *Specimen preparation.* Prepare and test a minimum of three test specimens. If an oriented film cover material is used, prepare and test both the warp and fill directions.

(2) *Construction.* Test specimens must include all materials used in construction of the insulation (including batting, film, scrim, tape etc.). Cut a piece of core material such as foam or fiberglass, and cut a piece of film cover material (if used) large enough to cover the core material. Heat sealing is the preferred method of preparing fiberglass samples, since they can be made without compressing the fiberglass (“box sample”). Cover materials that are not heat sealable may be stapled, sewn, or taped as long as the cover material is over-cut enough to be drawn down the sides without compressing the core material. The fastening means should be as continuous as possible along the length of the seams. The specimen thickness must be of the same thickness as installed in the airplane.

(3) *Specimen Dimensions.* To facilitate proper placement of specimens in the sliding platform housing, cut non-rigid core materials, such as fibreglass, 318 mm (12½ inches) wide by 584 mm (23 inches) long. Cut rigid materials, such as foam, 292 ± 6 mm (11½ ± ¼ inches) wide by 584 mm (23 inches) long in order to fit properly in the sliding platform housing and provide a flat, exposed surface equal to the opening in the housing.

(d) *Specimen conditioning.* Condition the test specimens at 21 ± 2°C (70 ± 5°F) and 55% ± 10% relative humidity, for a minimum of 24 hours prior to testing.

(e) *Apparatus Calibration.*

(1) With the sliding platform out of the chamber, install the calorimeter holding frame. Push the platform back into the chamber and insert the calorimeter into the first hole (“zero” position). See figure 7. Close the bottom door located below the sliding platform. The distance from the centerline of the calorimeter to the radiant panel surface at this point must be 191 ± 3 mm (7½ ± ⅛ inches). Prior to igniting the radiant panel, ensure that the calorimeter face is clean and that there is water running through the calorimeter.

(2) Ignite the panel. Adjust the fuel/air mixture to achieve 1.7 Watts/cm² ± 5% (1.5 BTUs/ft² sec ± 5%) at the “zero” position. If using an electric panel, set the power controller to achieve the proper heat flux. Allow the unit to reach steady state (this may take up to 1 hour). The pilot burner must be off and in the down position during this time.

(3) After steady-state conditions have been reached, move the calorimeter 51 mm (2 inches) from the “zero” position (first hole) to position 1 and record the heat flux. Move the calorimeter to position 2 and record the heat flux. Allow enough time at each position for the calorimeter to stabilize. Table 1 depicts typical calibration values at the three positions.

TABLE 1.—CALIBRATION TABLE

Position	BTU's/ft ² sec	Watts/cm ²
“Zero” Position.	1.5	1.7
Position 1	1.51–1.50–1.49	1.71–1.70–1.69
Position 2	1.43–1.44	1.62–1.63

(4) Open the bottom door. Remove the calorimeter and holder fixture. Use caution as the fixture is very hot.

(f) *Test Procedure.*

(1) Ignite the pilot burner. Ensure that it is at least 51 mm (2 inches) above the top of

the platform. The burner must not contact the specimen until the test begins.

(2) Place the test specimen in the sliding platform holder. Ensure that the test sample surface is level with the top of the platform. At “zero” point, the specimen surface must be 191 ± 3 mm (7 ½ ± ⅛ inches) below the

CS-25 BOOK 1

radiant panel.

(3) Place the retaining/securing frame over the test specimen. It may be necessary (due to compression) to adjust the sample (up or down) in order to maintain the distance from the sample to the radiant panel 191 ± 3 mm ($7\frac{1}{2} \pm \frac{1}{8}$ inches) at “zero” position). With film/fiberglass assemblies, it is critical to make a slit in the film cover to purge any air inside. This allows the operator to maintain the proper test specimen position (level with the top of the platform) and to allow ventilation of gases during testing. A longitudinal slit, approximately 2 inches (51 mm) in length, must be centered 76 ± 13 mm ($3 \pm \frac{1}{2}$ inches) from the left flange of the

securing frame. A utility knife is acceptable for slitting the film cover.

(4) Immediately push the sliding platform into the chamber and close the bottom door.

(5) Bring the pilot burner flame into contact with the center of the specimen at the “zero” point and simultaneously start the timer. The pilot burner must be at a 27° angle with the sample and be approximately $\frac{1}{2}$ inch (12 mm) above the sample. See figure 7. A stop, as shown in figure 8, allows the operator to position the burner correctly each time.

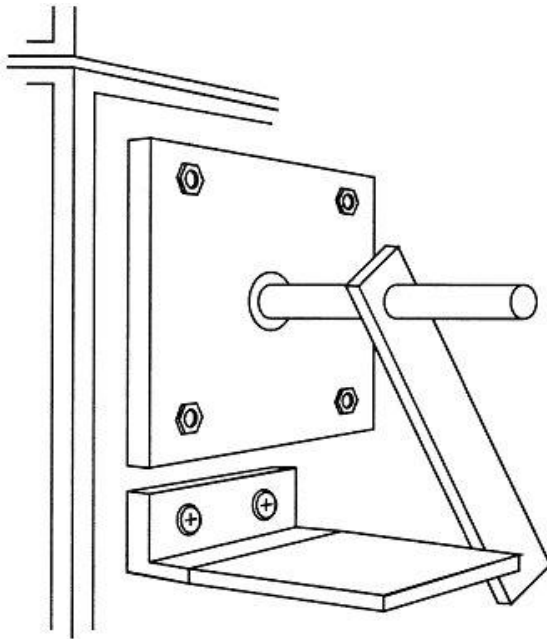


Figure 8 - Propane Burner Stop

(6) Leave the burner in position for 15 seconds and then remove to a position at least 51 mm (2 inches) above the specimen.

(g) *Report.*

(1) Identify and describe the test specimen.

(2) Report any shrinkage or melting of the test specimen.

(3) Report the flame propagation distance. If this distance is less than 51 mm

(2 inches), report this as a pass (no measurement required).

(4) Report the after-flame time.

(h) *Requirements.*

(1) There must be no flame propagation beyond 51 mm (2 inches) to the left of the centerline of the pilot flame application.

(2) The flame time after removal of the pilot burner may not exceed 3 seconds on any specimen.

CS-25 BOOK 1

[Amdt. No.: 25/6]

CS-25 BOOK 1**Appendix F****Part VII – Test Method to Determine the Burnthrough Resistance of Thermal/Acoustic Insulation Materials**

Use the following test method to evaluate the burnthrough resistance characteristics of aircraft thermal/acoustic insulation materials when exposed to a high intensity open flame.

(a) *Definitions.*

Burnthrough time means the time, in seconds, for the burner flame to penetrate the test specimen, and/or the time required for the heat flux to reach 2.27 W/cm^2 ($2.0 \text{ Btu/ft}^2 \text{ sec}$) on the inboard side, at a distance of 30.5 cm (12 inches) from the front surface of the insulation blanket test frame, whichever is sooner. The burnthrough time is measured at the inboard side of each of the insulation blanket specimens.

Insulation blanket specimen means one of two specimens positioned in either side of the test rig, at an angle of 30° with respect to vertical.

Specimen set means two insulation blanket specimens. Both specimens must represent the same production insulation blanket construction and materials, proportioned to correspond to the specimen size.

(b) *Apparatus.*

(1) The arrangement of the test apparatus is shown in figures 1 and 2 and must include the capability of swinging the burner away from the test specimen during warm-up.

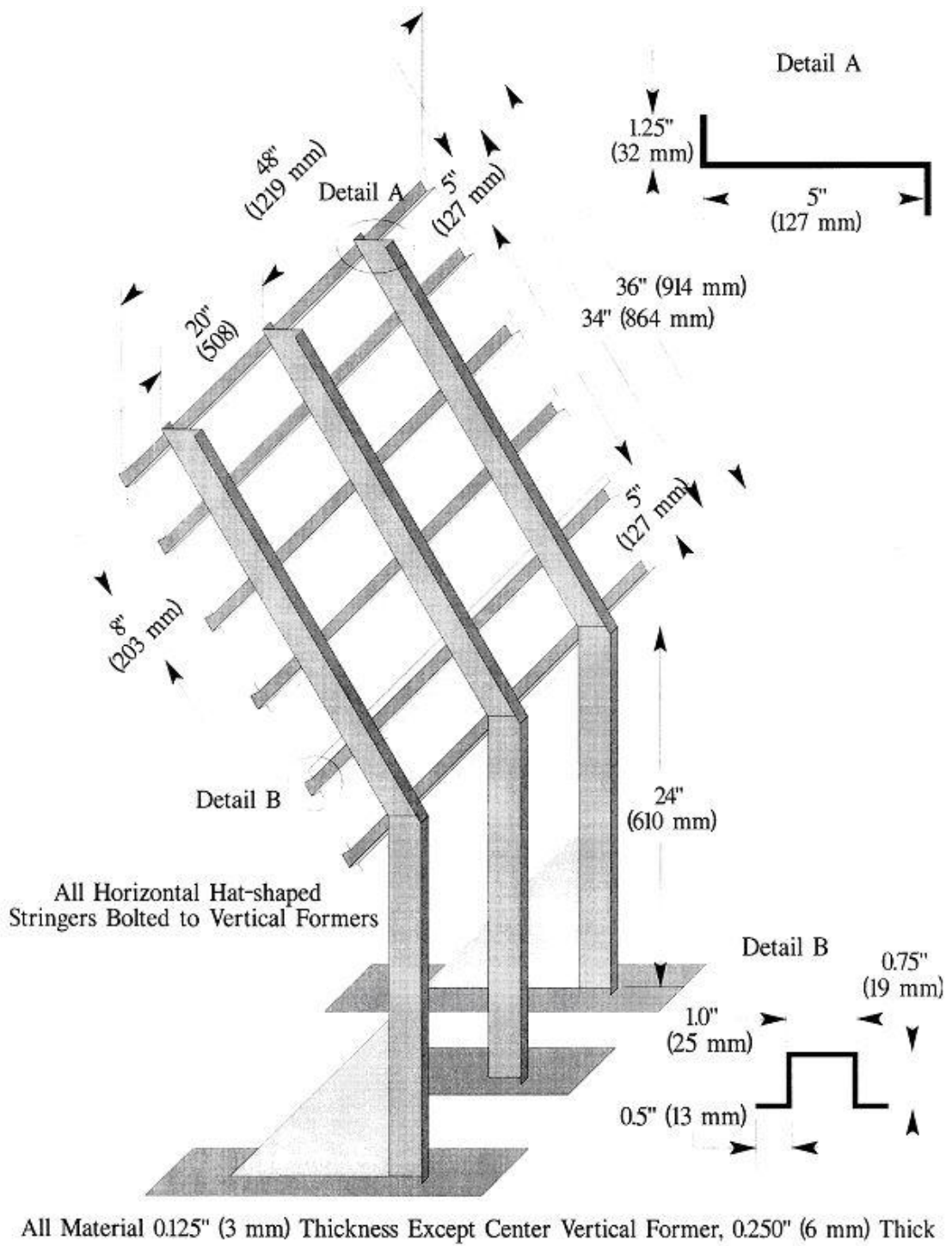


Figure 1 - Burnthrough Test Apparatus Specimen Holder

CS-25 BOOK 1

(2) *Test burner.* The test burner must be a modified gun-type such as the Park Model DPL 3400 or equivalent. Flame characteristics are highly dependent on

actual burner setup. Parameters such as fuel pressure, nozzle depth, stator position, and intake airflow must be properly adjusted to achieve the correct flame output.

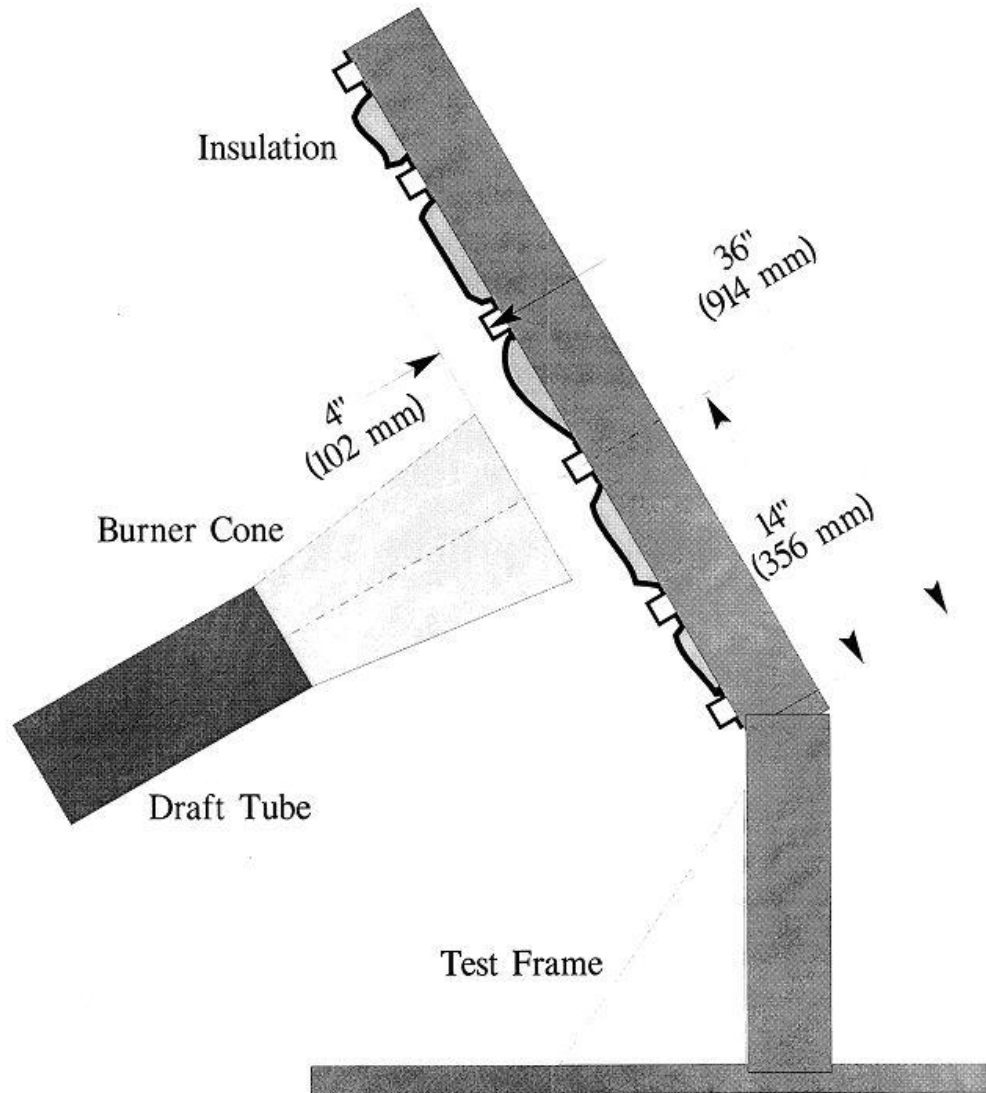


Figure 2 – Burnthrough Test Apparatus

(i) *Nozzle.* A nozzle must maintain the fuel pressure to yield a nominal 0.378 l/min (6.0 gal/hr) fuel flow. A Monarch-manufactured 80° PL (hollow cone) nozzle nominally rated at 6.0 gal/hr at 100 lb/in² (0.71 MPa) delivers a proper spray pattern.

(ii) *Fuel Rail.* The fuel rail must be adjusted to position the fuel nozzle at a depth of 8 mm (0.3125 inch) from the end plane of the exit stator, which must be mounted in the end of the draft tube.

(iii) *Internal Stator.* The internal stator, located in the middle of the draft

CS-25 BOOK 1

tube, must be positioned at a depth of 95 mm (3.75 inches) from the tip of the fuel nozzle. The stator must also be positioned such that the integral igniters are located at an angle midway between the 10 and 11 o'clock position, when viewed looking into the draft tube. Minor deviations to the igniter angle are acceptable if the temperature and heat flux requirements conform to the requirements of paragraph (e) of Part VII of this Appendix.

(iv) *Blower Fan.* The cylindrical blower fan used to pump air through the burner must measure 133 mm (5.25 inches) in diameter by 89 mm (3.5 inches) in width.

(v) *Burner cone.* Install a 305 ± 3 -mm (12 ± 0.125 -inch) burner extension cone at the end of the draft tube. The cone must have an opening 152 ± 3 mm (6 ± 0.125 inches) high and 280 ± 3 mm (11 ± 0.125 inches) wide (see figure 3).

(vi) *Fuel.* Use JP-8, Jet A, or their international equivalent, at a flow rate of 0.378 ± 0.0126 l/min (6.0 ± 0.2 gal/hr). If this fuel is unavailable, ASTM K2 fuel (Number 2 grade kerosene) or ASTM D2 fuel (Number 2 grade fuel oil or Number 2 diesel fuel) are acceptable if the nominal fuel flow rate, temperature, and heat flux measurements conform to the requirements of paragraph (e) of Part VII of this Appendix.

(vii) *Fuel pressure regulator.* Provide a fuel pressure regulator, adjusted to deliver a nominal 0.378 l/min (6.0 gal/hr) flow rate. An operating fuel pressure of 0.71 MPa (100 lb/in²) for a nominally rated 6.0 gal/hr 80° spray angle nozzle (such as a PL type) delivers 0.378 ± 0.0126 l/min (6.0 ± 0.2 gal/hr).

CS-25 BOOK 1

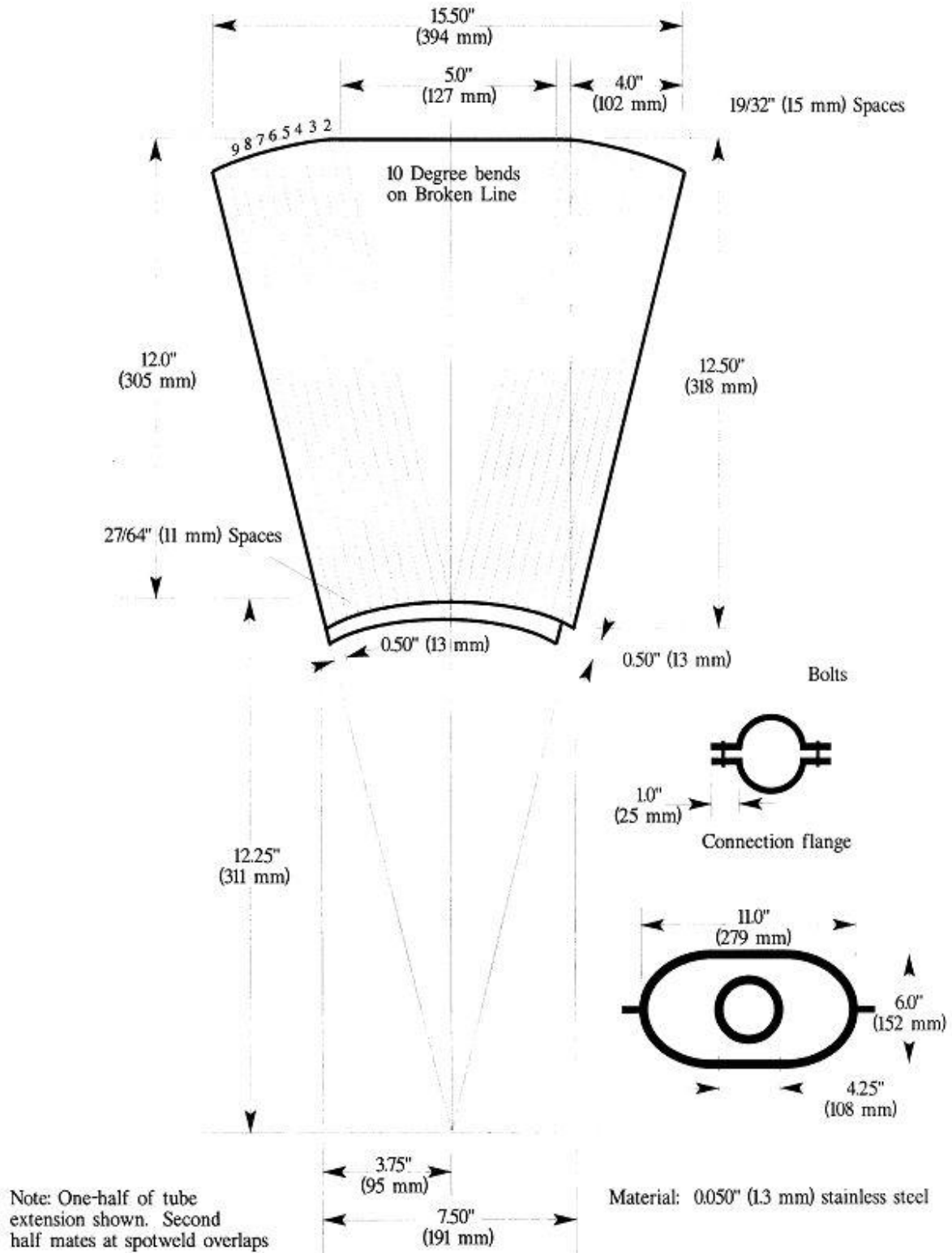


Figure 3 – Burner Draft Tube Extension Cone Diagram

(3) Calibration rig and equipment.

(i) Construct individual calibration rigs to incorporate a calorimeter and

thermocouple rake for the measurement of heat flux and temperature. Position the calibration rigs to allow movement of the burner from the test rig position

CS-25 BOOK 1

to either the heat flux or temperature position with minimal difficulty.

(ii) *Calorimeter.* The calorimeter must be a total heat flux, foil type Gardon Gage of an appropriate range such as $0-22.7 \text{ W/cm}^2$ ($0-20 \text{ Btu/ft}^2 \text{ sec}$), accurate to $\pm 3\%$ of the indicated reading. The heat flux calibration method must be in accordance with paragraph (b)(7) of Part VI of this Appendix.

(iii) *Calorimeter mounting.* Mount the calorimeter in a $152 \text{ by } 305 \pm 3 \text{ mm}$

($6 \text{ by } 12 \pm 0.125 \text{ inches}$) by $19 \pm 3 \text{ mm}$ ($0.75 \pm 0.125 \text{ inches}$) thick insulating block which is attached to the heat flux calibration rig during calibration (figure 4). Monitor the insulating block for deterioration and replace it when necessary. Adjust the mounting as necessary to ensure that the calorimeter face is parallel to the exit plane of the test burner cone.

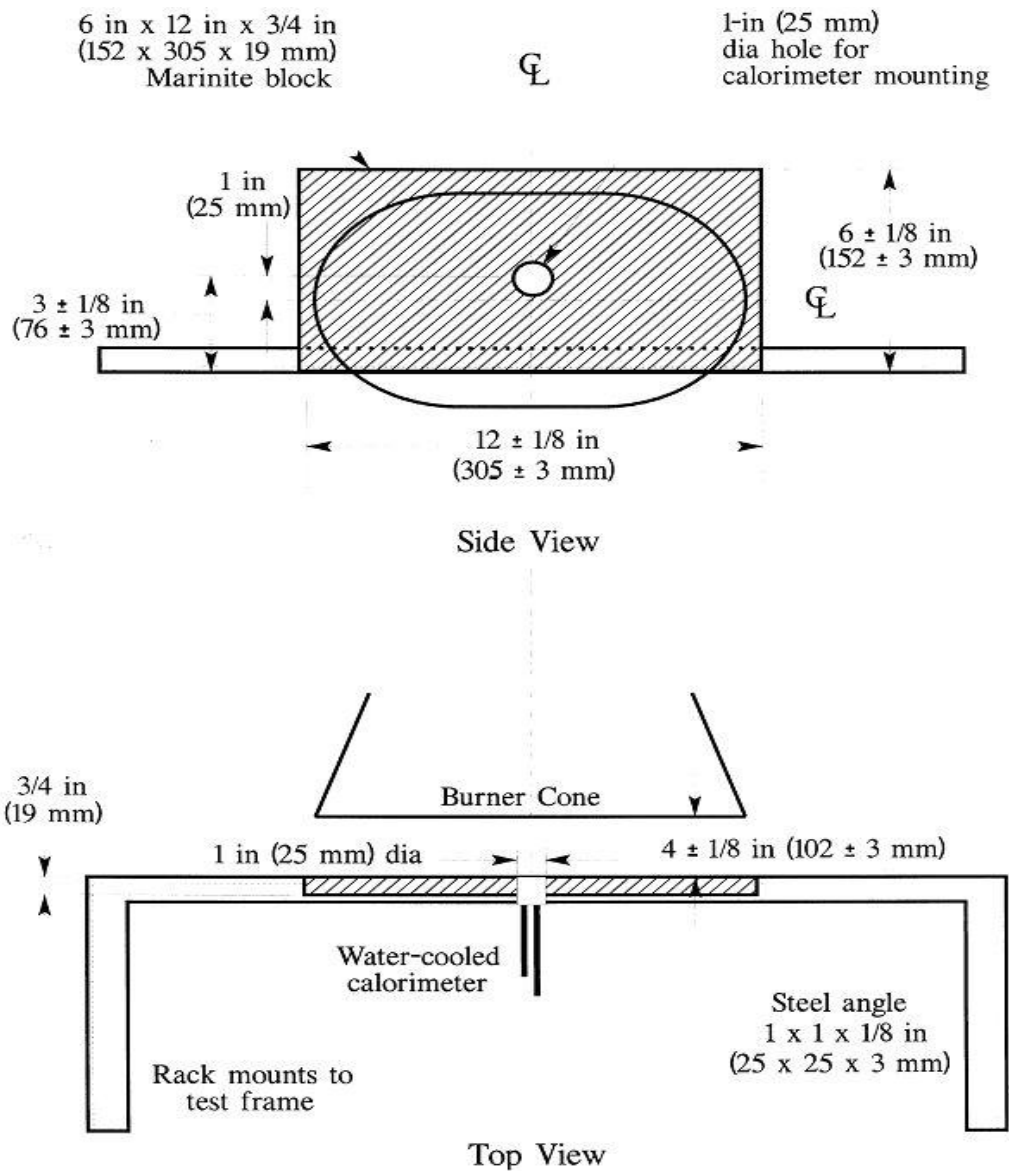


Figure 4 - Calorimeter Position Relative to Burner Cone

CS-25 BOOK 1

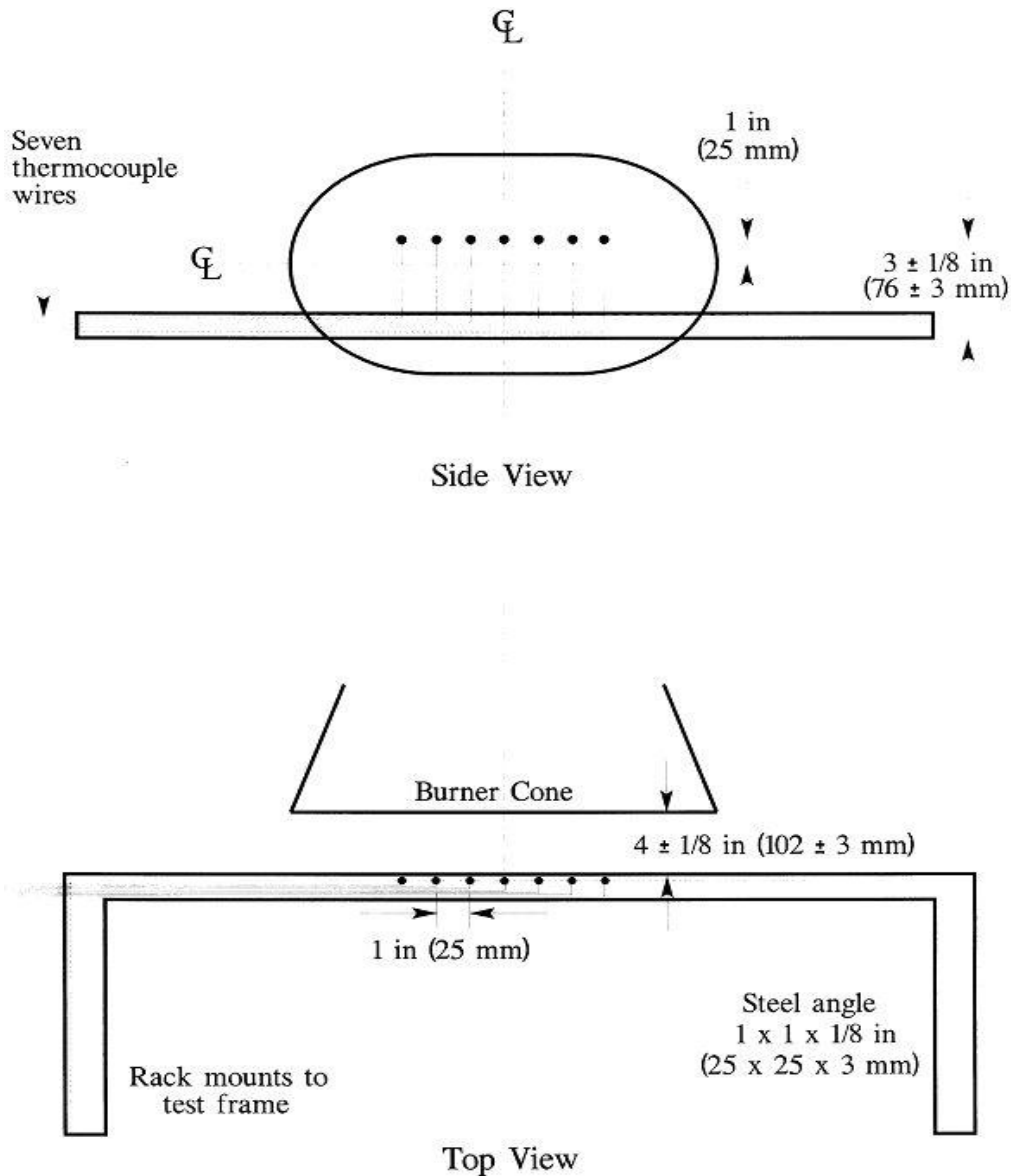


Figure 5 – Thermocouple Rake Position Relative to Burner Cone

(iv) *Thermocouples.* Provide seven 3.2 mm ($\frac{1}{8}$ -inch) ceramic packed, metal sheathed, type K (Chromel-alumel), grounded junction thermocouples with a nominal 24 American Wire Gauge (AWG) size conductor for calibration. Attach the thermocouples to a steel angle bracket to form a thermocouple rake for placement in the calibration rig during burner calibration (figure 5).

(v) *Air velocity meter.* Use a vane-type air velocity meter to calibrate the velocity of air entering the burner. An

Omega Engineering Model HH30A or equivalent is satisfactory. Use a suitable adapter to attach the measuring device to the inlet side of the burner to prevent air from entering the burner other than through the measuring device, which would produce erroneously low readings. Use a flexible duct, measuring 102 mm (4 inches) wide by 6.1 meters (20 feet) long, to supply fresh air to the burner intake to prevent damage to the air velocity meter from ingested soot. An optional airbox permanently mounted to the burner intake area can effectively

CS-25 BOOK 1

house the air velocity meter and provide a mounting port for the flexible intake duct.

(4) *Test specimen mounting frame.* Make the mounting frame for the test specimens of 3.2 mm ($\frac{1}{8}$ -inch) thick steel as shown in figure 1, except for the centre vertical former, which should be 6.4 mm ($\frac{1}{4}$ -inch) thick to minimize warpage. The specimen mounting frame stringers (horizontal) should be bolted to the test frame formers (vertical) such that the expansion of the stringers will not cause the

entire structure to warp. Use the mounting frame for mounting the two insulation blanket test specimens as shown in figure 2.

(5) *Backface calorimeters.* Mount two total heat flux Gardon type calorimeters behind the insulation test specimens on the back side (cold) area of the test specimen mounting frame as shown in figure 6. Position the calorimeters along the same plane as the burner cone centreline, at a distance of 102 mm (4 inches) from the vertical centreline of the test frame.

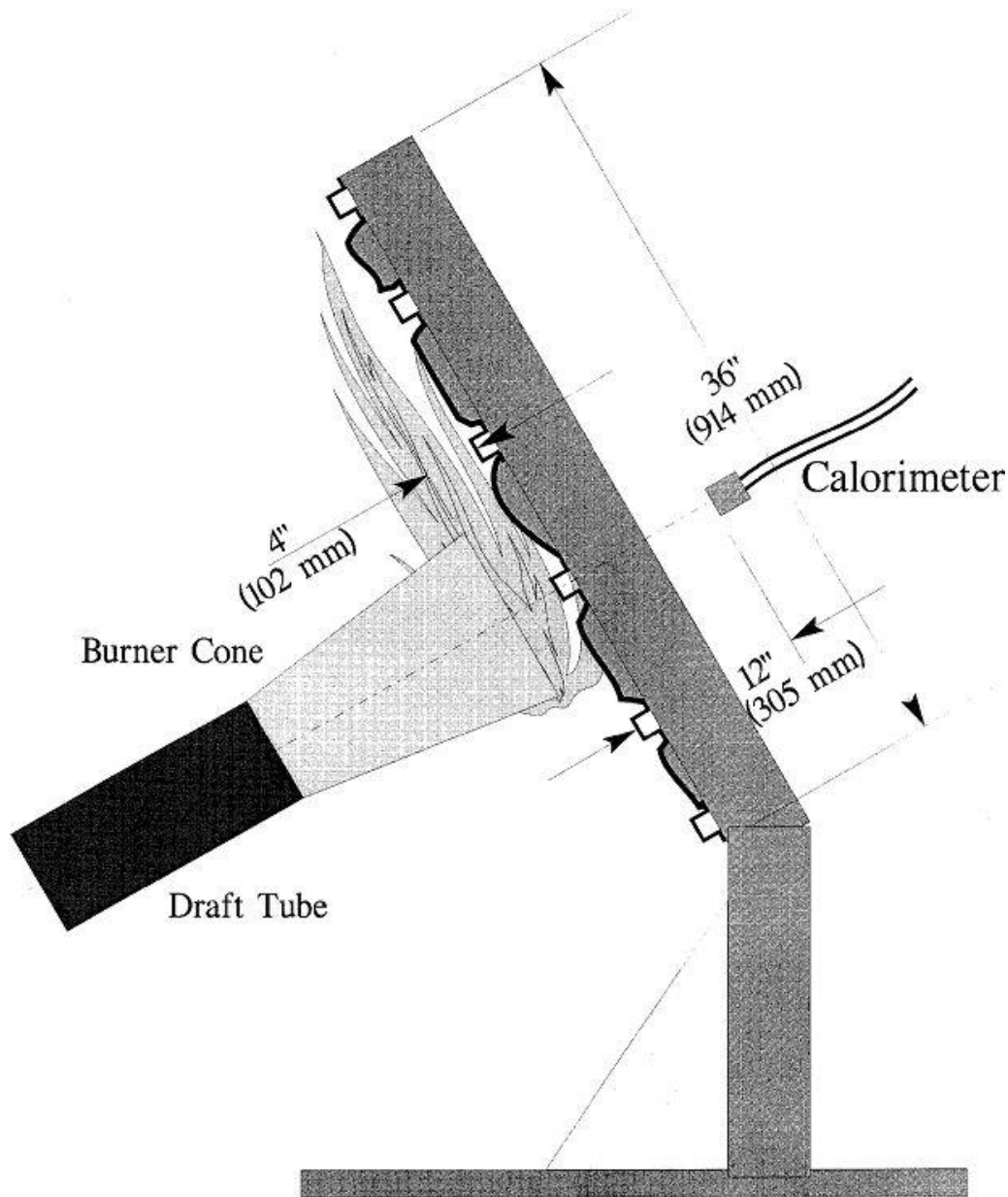


Figure 6 - . Position of Backface Calorimeters Relative to Test Specimen Frame

CS-25 BOOK 1

(i) The calorimeters must be a total heat flux, foil type Gardon Gage of an appropriate range such as 0–5.7 W/cm² (0–5 Btu/ft² sec), accurate to $\pm 3\%$ of the indicated reading. The heat flux calibration method must comply with paragraph (b)(7) of Part VI of this Appendix.

(6) *Instrumentation.* Provide a recording potentiometer or other suitable calibrated instrument with an appropriate range to measure and record the outputs of the calorimeter and the thermocouples.

(7) *Timing device.* Provide a stopwatch or other device, accurate to $\pm 1\%$, to measure the time of application of the burner flame and burnthrough time.

(8) *Test chamber.* Perform tests in a suitable chamber to reduce or eliminate the possibility of test fluctuation due to air movement. The chamber must have a minimum floor area of 305 by 305 cm (10 by 10 feet).

(i) *Ventilation hood.* Provide the test chamber with an exhaust system capable of removing the products of combustion expelled during tests.

(c) *Test Specimens.*

(1) *Specimen preparation.* Prepare a minimum of three specimen sets of the same construction and configuration for testing.

(2) *Insulation blanket test specimen.*

(i) For batt-type materials such as fibreglass, the constructed, finished blanket specimen assemblies must be 81.3 wide by 91.4 cm long (32 inches by 36 inches), exclusive of heat sealed film edges.

(ii) For rigid and other non-conforming types of insulation materials, the finished test specimens must fit into the test rig in such a manner as to replicate the actual in-service installation.

(3) *Construction.* Make each of the specimens tested using the principal components (i.e., insulation, fire barrier material if used, and moisture barrier film) and assembly processes (representative seams and closures).

(i) *Fire barrier material.* If the insulation blanket is constructed with a fire barrier material, place the fire barrier material in a manner reflective of the installed arrangement. For example, if the material will be placed on the outboard side of the insulation material, inside the moisture film, place it the same way in the test specimen.

(ii) *Insulation material.* Blankets that utilize more than one variety of insulation (composition, density, etc.) must have specimen sets constructed that reflect the insulation combination used. If, however, several blanket types use similar insulation combinations, it is not necessary to test each combination if it is possible to bracket the various combinations.

(iii) *Moisture barrier film.* If a production blanket construction utilizes more than one type of moisture barrier film, perform separate tests on each combination. For example, if a polyimide film is used in conjunction with an insulation in order to enhance the burnthrough capabilities, also test the same insulation when used with a polyvinyl fluoride film.

(iv) *Installation on test frame.* Attach the blanket test specimens to the test frame using 12 steel spring type clamps as shown in figure 7. Use the clamps to hold the blankets in place in both of the outer vertical formers, as well as the centre vertical former (4 clamps per former). The clamp surfaces should measure 25.4 by 51 mm (1 inch by 2 inches). Place the top and bottom clamps 15.2 cm (6 inches) from the top and bottom of the test frame, respectively. Place the middle clamps 20.3 cm (8 inches) from the top and bottom clamps.

CS-25 BOOK 1

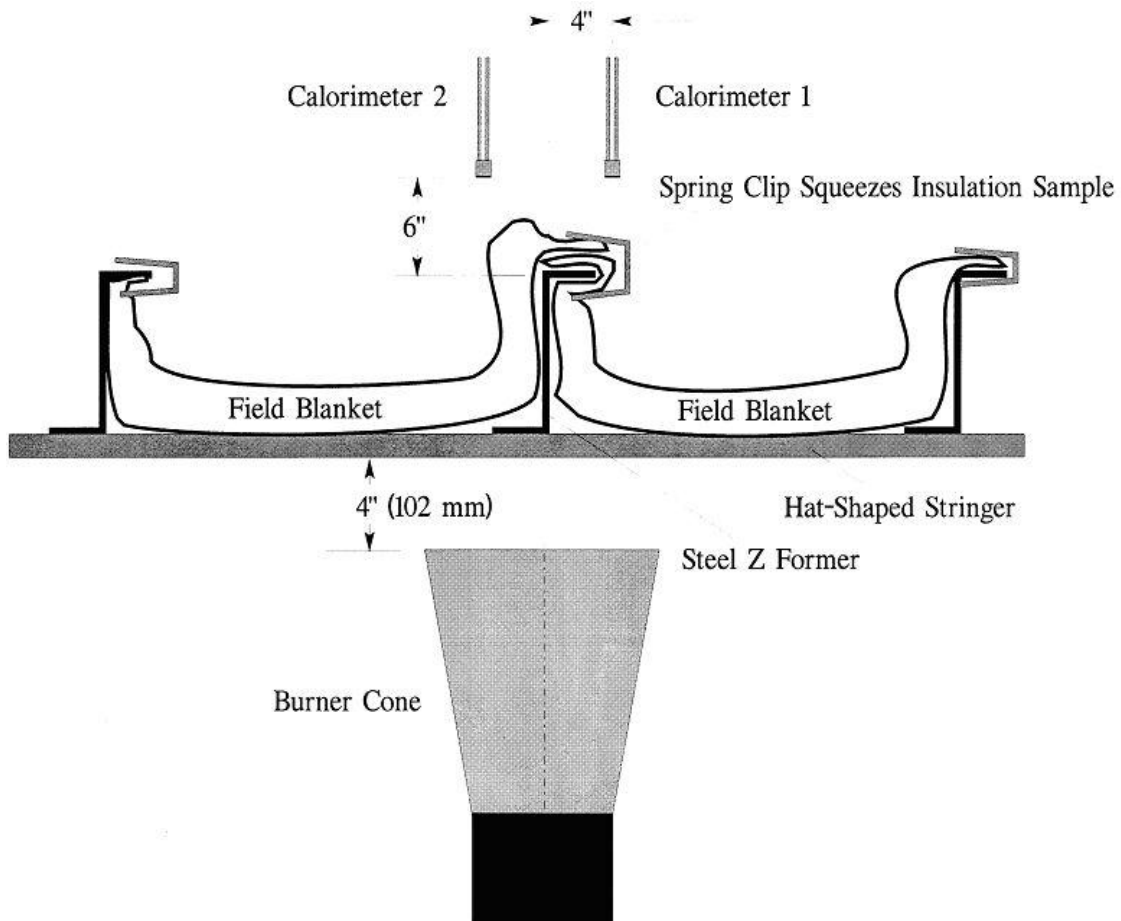


Figure 7 – Test Specimen Installation on Test Frame

(Note: For blanket materials that cannot be installed in accordance with figure 7 above, the blankets must be installed in a manner approved by the Agency.)

(v) *Conditioning.* Condition the specimens at $21^{\circ} \pm 2^{\circ}\text{C}$ ($70^{\circ} \pm 5^{\circ}\text{F}$) and $55\% \pm 10\%$ relative humidity for a minimum of 24 hours prior to testing.

(d) Preparation of apparatus.

(1) Level and centre the frame assembly to ensure alignment of the calorimeter and/or thermocouple rake with the burner cone.

(2) Turn on the ventilation hood for the test chamber. Do not turn on the burner blower. Measure the airflow of the test chamber using a vane anemometer or equivalent measuring device. The vertical air velocity just behind the top of the upper

insulation blanket test specimen must be 100 ± 50 ft/min (0.51 ± 0.25 m/s). The horizontal air velocity at this point must be less than 50 ft/min (0.25 m/s).

(3) If a calibrated flow meter is not available, measure the fuel flow rate using a graduated cylinder of appropriate size. Turn on the burner motor/fuel pump, after insuring that the igniter system is turned off. Collect the fuel via a plastic or rubber tube into the graduated cylinder for a 2-minute period. Determine the flow rate in gallons per hour. The fuel flow rate must be 0.378 ± 0.0126 l/min (6.0 ± 0.2 gallons per hour).

(e) *Calibration.*

(1) Position the burner in front of the calorimeter so that it is centred and the vertical plane of the burner cone exit is 4 ± 0.125 inches (102 ± 3 mm) from the

CS-25 BOOK 1

calorimeter face. Ensure that the horizontal centreline of the burner cone is offset 1 inch below the horizontal centreline of the calorimeter (figure 8). Without disturbing

the calorimeter position, rotate the burner in front of the thermocouple rake, such that the middle thermocouple (number 4 of 7) is centred on the burner cone.

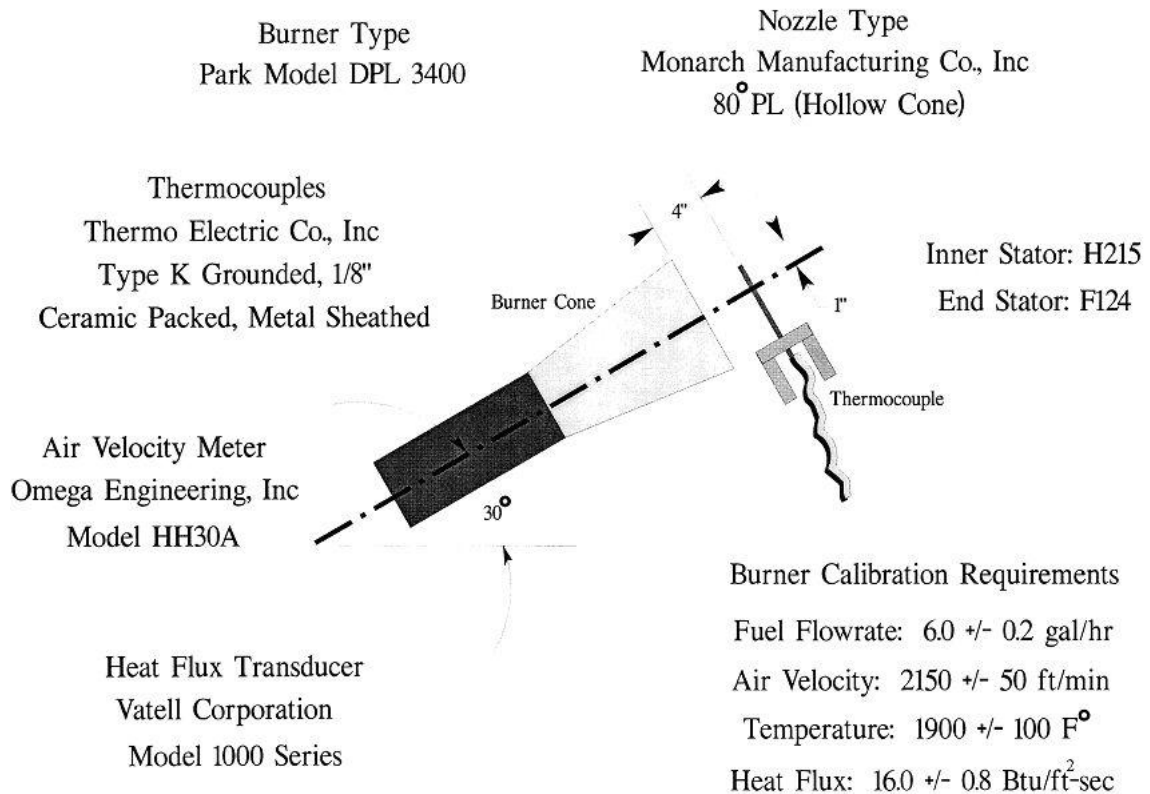


Figure 8 – Burner Information and Calibration Settings

Ensure that the horizontal centreline of the burner cone is also offset 25.4 mm (1 inch) below the horizontal centreline of the thermocouple tips. Re-check measurements by rotating the burner to each position to ensure proper alignment between the cone and the calorimeter and thermocouple rake. (Note: The test burner mounting system must incorporate “detents” that ensure proper centring of the burner cone with respect to both the calorimeter and the thermocouple rakes, so that rapid positioning of the burner can be achieved during the calibration procedure.)

(2) Position the air velocity meter in the adapter or airbox, making certain that no gaps exist where air could leak around the air velocity measuring device. Turn on the blower/motor while ensuring that the fuel solenoid and igniters are off. Adjust the

air intake velocity to a level of 10.92 m/s, (2150 ft/min) then turn off the blower/motor. (Note: The Omega HH30 air velocity meter measures 66.7 mm (2.625 inches) in diameter. To calculate the intake airflow, multiply the cross-sectional area 0.0035 m² (0.03758 ft²) by the air velocity 10.92 m/s (2150 ft/min) to obtain 2.29 m³/min (80.80 ft³/min). An air velocity meter other than the HH30 unit can be used, provided the calculated airflow of 2.29 m³/min (80.80 ft³/min) is equivalent.)

(3) Rotate the burner from the test position to the warm-up position. Prior to lighting the burner, ensure that the calorimeter face is clean of soot deposits, and there is water running through the calorimeter. Examine and clean the burner cone of any evidence of build-up of products of combustion, soot, etc. Soot build-up inside the burner cone may affect

CS-25 BOOK 1

the flame characteristics and cause calibration difficulties. Since the burner cone may distort with time, dimensions should be checked periodically.

(4) While the burner is still rotated to the warm-up position, turn on the blower/motor, igniters and fuel flow, and light the burner. Allow it to warm up for a period of 2 minutes. Move the burner into the calibration position and allow 1 minute for calorimeter stabilization, then record the heat flux once every second for a period of 30 seconds. Turn off burner, rotate out of position, and allow to cool. Calculate the average heat flux over this 30-second duration. The average heat flux should be $18.2 \pm 0.9 \text{ W/cm}^2$ ($16.0 \pm 0.8 \text{ Btu/ft}^2 \text{ sec}$).

(5) Position the burner in front of the thermocouple rake. After checking for proper alignment, rotate the burner to the warm-up position, turn on the blower/motor, igniters and fuel flow, and light the burner. Allow it to warm up for a period of 2 minutes. Move the burner into the calibration position and allow 1 minute for thermocouple stabilization, then record the temperature of each of the 7 thermocouples once every second for a period of 30 seconds. Turn off burner, rotate out of position, and allow to cool. Calculate the average temperature of each thermocouple over this 30-second period and record. The average temperature of each of the 7 thermocouples should be $1038 \pm 56^\circ\text{C}$ ($1900 \pm 100^\circ\text{F}$).

(6) If either the heat flux or the temperatures are not within the specified range, adjust the burner intake air velocity and repeat the procedures of paragraphs (4) and (5) above to obtain the proper values. Ensure that the inlet air velocity is within the range of $10.92 \pm 0.25 \text{ m/s}$ ($2150 \text{ ft/min} \pm 50 \text{ ft/min}$).

(7) Calibrate prior to each test until consistency has been demonstrated. After consistency has been confirmed, several tests may be conducted with calibration conducted before and after a series of tests.

(f) *Test procedure.*

(1) Secure the two insulation blanket test specimens to the test frame. The insulation blankets should be attached to the test rig centre vertical former using four spring clamps positioned as shown in figure

7 (according to the criteria of paragraph

(c)(3)(iv) of Part VII of this Appendix).

(2) Ensure that the vertical plane of the burner cone is at a distance of $102 \pm 3 \text{ mm}$ ($4 \pm 0.125 \text{ inch}$) from the outer surface of the horizontal stringers of the test specimen frame, and that the burner and test frame are both situated at a 30° angle with respect to vertical.

(3) When ready to begin the test, direct the burner away from the test position to the warm-up position so that the flame will not impinge on the specimens prematurely. Turn on and light the burner and allow it to stabilize for 2 minutes.

(4) To begin the test, rotate the burner into the test position and simultaneously start the timing device.

(5) Expose the test specimens to the burner flame for 4 minutes and then turn off the burner. Immediately rotate the burner out of the test position.

(6) Determine (where applicable) the burnthrough time, or the point at which the heat flux exceeds 2.27 W/cm^2 ($2.0 \text{ Btu/ft}^2 \text{ sec}$).

(g) *Report.*

(1) Identify and describe the specimen being tested.

(2) Report the number of insulation blanket specimens tested.

(3) Report the burnthrough time (if any), and the maximum heat flux on the back face of the insulation blanket test specimen, and the time at which the maximum occurred.

(h) *Requirements.*

(1) Each of the two insulation blanket test specimens must not allow fire or flame penetration in less than 4 minutes.

(2) Each of the two insulation blanket test specimens must not allow more than 2.27 W/cm^2 ($2.0 \text{ Btu/ft}^2 \text{ sec}$) on the cold side of the insulation specimens at a point 30.5 cm (12 inches) from the face of the test rig.

[Amdt. No.: 25/6]

CS-25 BOOK 1

Appendix H

Instructions for Continued Airworthiness

H25.1 General

(a) This Appendix specifies requirements for the preparation of Instructions for Continued Airworthiness as required by CS 25.1529 and CS 25.1729.

(b) The Instructions for Continued Airworthiness for each aeroplane must include the Instructions for Continued Airworthiness for each engine and propeller (hereinafter designated 'products'), for each appliance required by this CS-25 and any required information relating to the interface of those appliances and products with the aeroplane. If Instructions for Continued Airworthiness are not supplied by the manufacturer of an appliance or product installed in the aeroplane, the Instructions for Continued Airworthiness for the aeroplane must include the information essential to the continued airworthiness of the aeroplane.

[Amdt. No.: 25/5]

H25.2 Format

(a) The Instructions for Continued Airworthiness must be in the form of a manual or manuals as appropriate for the quantity of data to be provided.

(b) The format of the manual or manuals must provide for a practical arrangement.

H25.3 Content

The contents of the manual or manuals must be prepared in a language acceptable to the Agency. The Instructions for Continued Airworthiness must contain the following manuals or sections, as appropriate, and information:

(a) *Aeroplane maintenance manual or section*

(1) Introduction information that includes an explanation of the aeroplane's features and data to the extent necessary for maintenance or preventive maintenance.

(2) A description of the aeroplane and its systems and installations including its engines, propellers, and appliances.

(3) Basic control and operation information describing how the aeroplane components and systems are controlled and how they operate, including any special procedures and limitations that apply.

(4) Servicing information that covers details regarding servicing points, capacities of tanks, reservoirs, types of fluids to be used, pressures applicable to the various systems, location of access panels for inspection and servicing, locations of lubrication points, lubricants to be used, equipment required for servicing, tow instructions and limitations, mooring, jacking, and levelling information.

(b) *Maintenance Instructions*

(1) Scheduling information for each part of the aeroplane and its engines, auxiliary power units, propellers, accessories, instruments, and equipment that provides the recommended periods at which they should be cleaned, inspected, adjusted, tested, and lubricated, and the degree of inspection, the applicable wear tolerances, and work recommended at these periods. However, reference may be made to information from an accessory, instrument or equipment manufacturer as the source of this information if it is shown that the item has an exceptionally high degree of complexity requiring specialised maintenance techniques, test equipment, or expertise. The recommended overhaul periods and necessary cross references to the Airworthiness Limitations section of the manual must also be included. In addition, an inspection programme that includes the frequency and extent of the inspections necessary to provide for the continued airworthiness of the aeroplane must be included.

(2) Troubleshooting information describing probable malfunctions, how to recognise those malfunctions, and the remedial action for those malfunctions.

(3) Information describing the order and method of removing and replacing products and parts with any necessary precautions to be taken.

(4) Other general procedural instructions including procedures for system testing during ground running, symmetry checks, weighing and determining the centre of gravity, lifting and shoring, and storage limitations.

CS-25 BOOK 1

(c) Diagrams of structural access plates and information needed to gain access for inspections when access plates are not provided.

(d) Details for the application of special inspection techniques including radiographic and ultrasonic testing where such processes are specified.

(e) Information needed to apply protective treatments to the structure after inspection.

(f) All data relative to structural fasteners such as identification, discard recommendations, and torque values.

(g) A list of special tools needed.

H25.4 Airworthiness Limitations section

(a) The Instructions for Continued Airworthiness must contain a section titled Airworthiness Limitations that is segregated and clearly distinguishable from the rest of the document. This section must set forth –

(1) Each mandatory replacement time, structural inspection interval, and related structural inspection procedure approved under CS 25.571: and

(2) Reserved

(3) Any mandatory replacement time of EWIS components as defined in CS 25.1701 (see AMC Appendix H 25.4(a)(3)).

(b) If the Instructions for Continued Airworthiness consist of multiple documents, the section required by this paragraph must be included in the principal manual. This section must contain a legible statement in a prominent location that reads: ‘The Airworthiness Limitations Section is approved and variations must also be approved’.

[Amdt. No.: 25/5]

H25.5 Electrical Wiring Interconnection System Instructions for Continued Airworthiness

The applicant must prepare Instructions for Continued Airworthiness applicable to Electrical Wiring Interconnection System as defined in CS 25.1701. (see AMC Appendix H 25.5)

[Amdt. No.: 25/5]

[Amdt. No.: 25/8]

CS-25 BOOK 1

Appendix I

Automatic Takeoff Thrust Control System (ATTCS)

(See CS 25.20 (c))

I 25.1 General

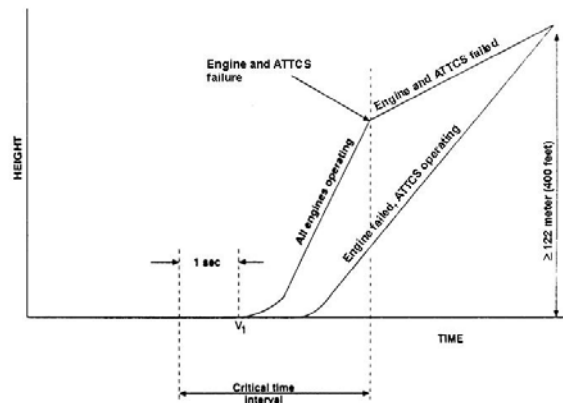
(a) This Appendix specifies additional requirements and limitations for aeroplanes equipped with an engine control system that automatically resets thrust or power on the operating engine(s) when any engine fails during take-off, and for which performance credit is limited to that of paragraph 25.3 (b) of this Appendix. When performance credit is not so limited, Special Conditions will apply.

(b) With the ATTCS system and associated systems functioning normally as designed, all applicable requirements of CS-25, except as provided in this Appendix, must be met without requiring any action by the crew to increase thrust or power.

I 25.2 Definitions

(a) *Automatic Takeoff Thrust Control System (ATTCS)*. An ATTCS system is defined as a system which automatically resets thrust or power on the operating engine(s) when any engine fails during take-off. For the purpose of the requirements in this Appendix, the ATTCS system comprises all elements of equipment necessary for the control and performance of each intended function, including all devices both mechanical and electrical that sense engine failure, transmit signals and actuate fuel controls or power levers of the operating engine(s) to achieve scheduled thrust or power increases, the engine control system and devices which furnish cockpit information on system operation.

(b) *Critical Time Interval*. When conducting an ATTCS take-off, the critical time interval is between one second before reaching V_1 , and the point on the gross take-off flight path with all engines operating where, assuming a simultaneous engine and ATTCS system failure, the resulting flight path thereafter intersects the gross flight path, determined in accordance with CS 25.115, at not less than 122 m (400 feet) above the take-off surface. This definition is shown in the following figure:



I 25.3 Performance requirements

All applicable performance requirements of CS-25 must be met with the ATTCS system functioning normally as designed, except that the propulsive thrust obtained from each operating engine after failure of the critical engine during take-off, and the thrust at which compliance with the one-engine-inoperative climb requirements in CS 25.121 (a) and (b) is shown, must be assumed to be not greater than the lesser of –

(a) The actual propulsive thrust resulting from the initial setting of power or thrust controls with the ATTCS system functioning normally as designed, without requiring any action by the crew to increase thrust or power until the aeroplane has achieved a height of 122 m (400 feet) above the take-off surface; or

(b) 111 percent of the propulsive thrust which would have been available at the initial setting of power or thrust controls in the event of failure of the ATTCS system to reset thrust or power, without any action by the crew to increase thrust or power until the aeroplane has achieved a height of 122 m (400 feet) above the take-off surface.

Note 1. The limitation of performance credit for ATTCS system operation to 111 percent of the thrust provided at the initial setting is intended to:

CS-25 BOOK 1

(i) Assure an adequate level of climb performance with all engines operating at the initial setting of power or thrust controls, and

(ii) Limit the degradation of performance in the event of a critical engine failure combined with failure of the ATTCS system to operate as designed.

Note 2. For propeller-driven aeroplanes, propulsive thrust means the total effective propulsive force obtained from an operating engine and its propeller.

I 25.4 Reliability requirements

(See CS 25.1309 and AMC 25.1309)

(a) The occurrence of an ATTCS system failure or a combination of failures in the ATTCS system during the critical time interval which –

(1) Prevents the insertion of the required thrust or power, must be shown to be Improbable;

(2) Results in a significant loss or reduction in thrust or power, must be shown to be Extremely Improbable.

(b) The concurrent existence of an ATTCS system failure and an engine failure during the critical time interval must be shown to be Extremely Improbable.

(c) The inadvertent operation of the ATTCS system must be shown either to be Remote or to have no more than a minor effect.

I 25.5 Thrust or power setting

The initial setting of thrust or power controls on each engine at the beginning of the take-off roll may not be less than the lesser of –

(a) That required to permit normal operation of all safety-related systems and equipment dependent upon engine thrust or power lever position; or

(b) That shown to be free of hazardous engine response characteristics when thrust or power is increased from the initial take-off thrust or power level to the maximum approved take-off thrust or power.

I 25.6 Powerplant controls

(a) *General*

(1) In addition to the requirements of CS 25.1141, no single failure or malfunction, or probable combination thereof, of the ATTCS system, including associated systems, may cause the failure of any powerplant function necessary for safety.

(2) The ATTCS system must be designed to perform accurately its intended function without exceeding engine operating limits under all reasonably expected conditions.

(b) *Thrust or Power Lever Control.* The ATTCS system must be designed to permit manual decrease or increase in thrust or power up to the maximum thrust or power approved for use following engine failure during take-off through the use of the normal thrust or power controls, except that, for aeroplanes equipped with limiters that automatically prevent engine operating limits from being exceeded, other means may be used to increase thrust or power provided that the means is located in an accessible position on or close to the thrust or power levers, is easily identified, and operated under all operating conditions by a single action of either pilot with the hand that is normally used to actuate the thrust or power levers.

(c) *System Control and Monitoring.* The ATTCS system must be designed to provide –

(1) A means for checking prior to take-off that the system is in an operable condition; and

(2) A means for the flight crew to deactivate the automatic function. This means must be designed to prevent inadvertent deactivation.

I 25.7 Powerplant instruments

(a) *System Control and Monitoring.* A means must be provided to indicate when the ATTCS system is in the armed or ready condition.

(b) *Engine Failure Warning.* If the inherent flight characteristics of the aeroplane do not provide adequate warning that an engine has failed, a warning system which is independent of the ATTCS system must be provided to give the pilot a clear warning of engine failure during take-off.

CS-25 BOOK 1**Appendix J****Emergency Demonstration**

The following test criteria and procedures must be used for showing compliance with CS 25.803:

(a) The emergency evacuation must be conducted either during the dark of the night or during daylight with the dark of night simulated. If the demonstration is conducted indoors during daylight hours, it must be conducted with each window covered and each door closed to minimise the daylight effect. Illumination on the floor or ground may be used, but it must be kept low and shielded against shining into the aeroplane's windows or doors.

(b) The aeroplane must be in a normal attitude with landing gear extended.

(c) Unless the aeroplane is equipped with an off-wing descent means, stands or ramps may be used for descent from the wing to the ground. Safety equipment such as mats or inverted life rafts may be placed on the floor or ground to protect participants. No other equipment that is not part of the aeroplane's emergency evacuation equipment may be used to aid the participants in reaching the ground.

(d) Except as provided in paragraph (a) of this Appendix, only the aeroplane's emergency lighting system may provide illumination.

(e) All emergency equipment required for the planned operation of the aeroplane must be installed.

(f) Each external door and exit, and each internal door or curtain, must be in the take-off configuration.

(g) Each crew member must be seated in the normally assigned seat for take-off and must remain in the seat until receiving the signal for commencement of the demonstration. Each crewmember must be a person having knowledge of the operation of exits and emergency equipment and, if compliance with the applicable Operating Rules is also being demonstrated, each cabin crewmember must be a member of a regularly scheduled line crew.

(h) A representative passenger load of persons in normal health must be used as follows:

(1) At least 40% of the passenger load must be females.

(2) At least 35% of the passenger load must be over 50 years of age.

(3) At least 15% of the passenger load must be female and over 50 years of age.

(4) Three life-size dolls, not included as part of the total passenger load, must be carried by passengers to simulate live infants 2 years old or younger.

(5) Crew members, mechanics, and training personnel who maintain or operate the aeroplane in the normal course of their duties, may not be used as passengers.

(i) No passenger may be assigned a specific seat except as the Agency may require. Except as required by sub-paragraph (g) of this Appendix, no employee of the applicant may be seated next to an emergency exit.

(j) Seat belts and shoulder harnesses (as required) must be fastened.

(k) Before the start of the demonstration, approximately one-half of the total average amount of carry-on baggage, blankets, pillows, and other similar articles must be distributed at several locations in aisles and emergency exit access ways to create minor obstructions.

(l) No prior indication may be given to any crewmember or passenger of the particular exits to be used in the demonstration.

(m) There must not be any practising, rehearsing or description of the demonstration for the participants nor may any participant have taken part in this type of demonstration within the preceding 6 months.

(n) The pre take-off passenger briefing required by the applicable Operating Rules may be given. The passengers may also be advised to follow directions of crewmembers but not be instructed on the procedures to be followed in the demonstration.

(o) If safety equipment as allowed by sub-paragraph (c) of this Appendix is provided, either all passenger and cockpit windows must be blacked out or all of the emergency exits must have safety equipment in order to prevent disclosure of the available emergency exits.

(p) Not more than 50% of the emergency exits in the sides of the fuselage of an aeroplane that meets all of the requirements applicable to the required emergency exits for that aeroplane may be used for the demonstration. Exits that are not to be used in the demonstration must have the exit handle deactivated or must be indicated by red

CS-25 BOOK 1**Appendix J (continued)**

lights, red tape, or other acceptable means placed outside the exits to indicate fire or other reason why they are unusable. The exits to be used must be representative of all of the emergency exits on the aeroplane and must be designated prior to the demonstration and subject to approval by the Agency. At least one floor level exit must be used.

(q) Except as provided in sub-paragraph (c) of this paragraph, all evacuees must leave the aeroplane by a means provided as part of the aeroplane's equipment.

(r) The applicant's approved procedures must be fully utilised, except the flight-crew must take no active role in assisting others inside the cabin during the demonstration.

(s) The evacuation time period is completed when the last occupant has evacuated the aeroplane and is on the ground. Provided that the acceptance rate of the stand or ramp is no greater than the acceptance rate of the means available on the aeroplane for descent from the wing during an actual crash situation, evacuees using stands or ramps allowed by sub-paragraph (c) of this Appendix are considered to be on the ground when they are on the stand or ramp.

[Amdt. No.:25/2]

CS-25 BOOK 1

Appendix K

Interaction of Systems and Structure

K25.1 *General.*

The following criteria must be used for showing compliance with CS 25.302 for aeroplanes equipped with flight control systems, autopilots, stability augmentation systems, load alleviation systems, flutter control systems, and fuel management systems. If this appendix is used for other systems, it may be necessary to adapt the criteria to the specific system.

- (a) The criteria defined herein only address the direct structural consequences of the system responses and performances and cannot be considered in isolation but should be included in the overall safety evaluation of the aeroplane. These criteria may in some instances duplicate standards already established for this evaluation. These criteria are only applicable to structure whose failure could prevent continued safe flight and landing. Specific criteria that define acceptable limits on handling characteristics or stability requirements when operating in the system degraded or inoperative mode are not provided in this appendix.
- (b) Depending upon the specific characteristics of the aeroplane, additional studies may be required that go beyond the criteria provided in this appendix in order to demonstrate the capability of the aeroplane to meet other realistic conditions such as alternative gust or manoeuvre descriptions for an aeroplane equipped with a load alleviation system.
- (c) The following definitions are applicable to this appendix.

Structural performance: Capability of the aeroplane to meet the structural requirements of CS-25.

Flight limitations: Limitations that can be applied to the aeroplane flight conditions following an in-flight occurrence and that are included in the flight manual (e.g., speed limitations, avoidance of severe weather conditions, etc.).

Operational limitations: Limitations, including flight limitations, that can be applied to the aeroplane operating conditions before dispatch (e.g., fuel, payload and Master Minimum Equipment List limitations).

Probabilistic terms: The probabilistic terms (probable, improbable, extremely improbable) used in this appendix are the same as those used in CS 25.1309.

Failure condition: The term failure condition is the same as that used in CS 25.1309, however this appendix applies only to system failure conditions that affect the structural performance of the aeroplane (e.g., system failure conditions that induce loads, change the response of the aeroplane to inputs such as gusts or pilot actions, or lower flutter margins).

K25.2 *Effects of Systems on Structures.*

- (a) General. The following criteria will be used in determining the influence of a system and its failure conditions on the aeroplane structure.
- (b) System fully operative. With the system fully operative, the following apply:
- (1) Limit loads must be derived in all normal operating configurations of the system from all the limit conditions specified in Subpart C, taking into account any special behaviour of such a system or associated functions or any effect on the structural performance of the aeroplane that may occur up to the limit loads. In particular, any significant nonlinearity (rate of displacement of control surface, thresholds or any other system nonlinearities) must be accounted for in a realistic or conservative way when deriving limit loads from limit conditions.
 - (2) The aeroplane must meet the strength requirements of CS-25 (Static strength, residual strength), using the specified factors to derive ultimate loads from the limit loads defined above. The effect of nonlinearities must be investigated beyond limit conditions to ensure the behaviour of the system presents no anomaly compared to the behaviour below limit conditions. However, conditions beyond limit conditions need not be considered when it can be shown that the aeroplane has design features that will not allow it to exceed those limit conditions.
 - (3) The aeroplane must meet the aeroelastic stability requirements of CS 25.629.
- (c) System in the failure condition. For any system failure condition not shown to be extremely improbable, the following apply:
- (1) At the time of occurrence. Starting from 1-g level flight conditions, a realistic scenario, including pilot corrective actions, must be established to determine the loads

CS-25 BOOK 1

occurring at the time of failure and immediately after failure.

- (i) For static strength substantiation, these loads multiplied by an appropriate factor of safety that is related to the probability of occurrence of the failure are ultimate loads to be considered for design. The factor of safety (F.S.) is defined in Figure 1.

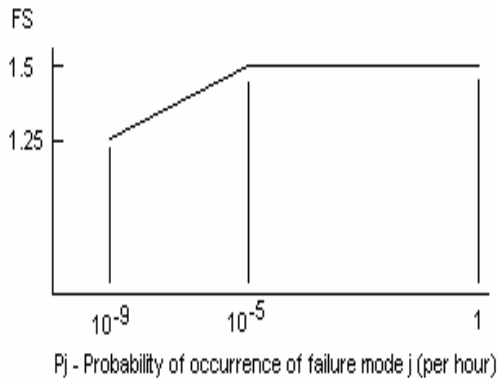


Figure 1

Factor of safety at the time of occurrence

- (ii) For residual strength substantiation, the aeroplane must be able to withstand two thirds of the ultimate loads defined in subparagraph (c)(1)(i). For pressurised cabins, these loads must be combined with the normal operating differential pressure.
- (iii) Freedom from aeroelastic instability must be shown up to the speeds defined in CS 25.629(b)(2). For failure conditions that result in speed increases beyond V_C/M_C , freedom from aeroelastic instability must be shown to increased speeds, so that the margins intended by CS 25.629(b)(2) are maintained.
- (iv) Failures of the system that result in forced structural vibrations (oscillatory failures) must not produce loads that could result in detrimental deformation of primary structure.
- (2) For the continuation of the flight. For the aeroplane, in the system failed state and considering any appropriate reconfiguration and flight limitations, the following apply:
- (i) The loads derived from the following conditions at speeds up to V_C / M_C , or the speed limitation prescribed for the remainder of the flight must be determined:

- (A) the limit symmetrical manoeuvring conditions specified in CS 25.331 and in CS 25.345.
- (B) the limit gust and turbulence conditions specified in CS 25.341 and in CS 25.345.
- (C) the limit rolling conditions specified in CS 25.349 and the limit unsymmetrical conditions specified in CS 25.367 and CS 25.427(b) and (c).
- (D) the limit yaw manoeuvring conditions specified in CS 25.351.
- (E) the limit ground loading conditions specified in CS 25.473 and CS 25.491.

- (ii) For static strength substantiation, each part of the structure must be able to withstand the loads in subparagraph (2)(i) of this paragraph multiplied by a factor of safety depending on the probability of being in this failure state. The factor of safety is defined in Figure 2.

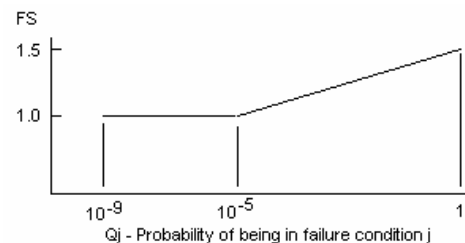


Figure 2

Factor of safety for continuation of flight

$Q_j = (T_j)(P_j)$ where:

T_j = Average time spent in failure condition j (in hours)

P_j = Probability of occurrence of failure mode j (per hour)

Note: If P_j is greater than 10^{-3} , per flight hour then a 1.5 factor of safety must be applied to all limit load conditions specified in Subpart C.

- (iii) For residual strength substantiation, the aeroplane must be able to withstand two thirds of the ultimate loads defined in subparagraph (c)(2)(ii). For pressurised cabins, these loads must be combined with the normal operating differential pressure.

CS-25 BOOK 1

- (iv) If the loads induced by the failure condition have a significant effect on fatigue or damage tolerance then their effects must be taken into account.
- (v) Freedom from aeroelastic instability must be shown up to a speed determined from Figure 3. Flutter clearance speeds V' and V'' may be based on the speed limitation specified for the remainder of the flight using the margins defined by CS 25.629(b).

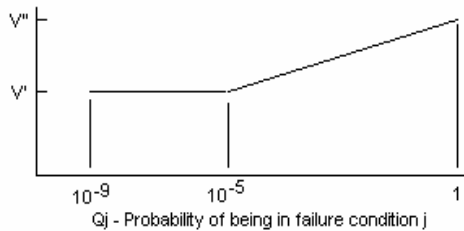


Figure 3: Clearance speed

V' = Clearance speed as defined by CS 25.629(b)(2).

V'' = Clearance speed as defined by CS 25.629(b)(1).

$Q_j = (T_j)(P_j)$ where:

T_j = Average time spent in failure condition j (in hours)

P_j = Probability of occurrence of failure mode j (per hour)

Note: If P_j is greater than 10^{-3} per flight hour, then the flutter clearance speed must not be less than V'' .

- (vi) Freedom from aeroelastic instability must also be shown up to V' in Figure 3 above, for any probable system failure condition combined with any damage required or selected for investigation by CS 25.571(b).
- (3) Consideration of certain failure conditions may be required by other Subparts of CS-25 regardless of calculated system reliability. Where analysis shows the probability of these failure conditions to be less than 10^{-9} , criteria other than those specified in this paragraph may be used for structural substantiation to show continued safe flight and landing.
- (d) Failure indications. For system failure detection and indication, the following apply:

(1) The system must be checked for failure conditions, not extremely improbable, that degrade the structural capability below the level required by CS-25 or significantly reduce the reliability of the remaining system. As far as reasonably practicable, the flight crew must be made aware of these failures before flight. Certain elements of the control system, such as mechanical and hydraulic components, may use special periodic inspections, and electronic components may use daily checks, in lieu of detection and indication systems to achieve the objective of this requirement. These certification maintenance requirements must be limited to components that are not readily detectable by normal detection and indication systems and where service history shows that inspections will provide an adequate level of safety.

(2) The existence of any failure condition, not extremely improbable, during flight that could significantly affect the structural capability of the aeroplane and for which the associated reduction in airworthiness can be minimised by suitable flight limitations, must be signalled to the flight crew. For example, failure conditions that result in a factor of safety between the aeroplane strength and the loads of Subpart C below 1.25, or flutter margins below V'' , must be signalled to the crew during flight.

(e) Dispatch with known failure conditions. If the aeroplane is to be dispatched in a known system failure condition that affects structural performance, or affects the reliability of the remaining system to maintain structural performance, then the provisions of CS 25.302 must be met for the dispatched condition and for subsequent failures. Flight limitations and expected operational limitations may be taken into account in establishing Q_j as the combined probability of being in the dispatched failure condition and the subsequent failure condition for the safety margins in Figures 2 and 3. These limitations must be such that the probability of being in this combined failure state and then subsequently encountering limit load conditions is extremely improbable. No reduction in these safety margins is allowed if the subsequent system failure rate is greater than 10^{-3} per hour.

[Amdt. No.:25/1]

CS-25 BOOK 1

Appendix L

Element of System	Strength Value		Remarks
	Proof	Ultimate	
Rigid pipes and ducts	1.5 P _w	3.0 P _w	P _f The maximum pressure applied during failure conditions.
Couplings	1.5 P _w	3.0 P _w	
Flexible hoses	2.0 P _w	4.0 P _w	
Return line elements	–	1.5 P _f	
Components other than pipes, couplings, ducts or pressure vessels	1.5 P _w	2.0 P _w	
Pressure vessels fabricated from metallic materials. (For non-metallic materials see CS 25.1436(b)(7))			
Pressure vessels connected to a line source of pressure	3.0 P _L or 1.5 P _L	4.0 P _L or 2.0 P _L	The lower values are conditional upon justification by a fatigue endurance test from which a permissible fatigue life is declared, and upon the ultimate load test being made on the test specimen used for the fatigue life test.
Pressure vessels not connected to a line source of pressure, e.g. emergency vessels inflated from a ground source	2.5 P _L or 1.5 P _L	3.0 P _L or 2.0 P _L	The lower values are conditional upon justification by a life endurance test of a suitably factored permissible number of inflation/deflation cycles, including temperature fluctuation results in a significant pressure variation, and upon the ultimate load test being made on the test specimen used for the life endurance test. For all pressure vessels: (1) The minimum acceptable conditions for storage, handling and inspection are to be defined in the appropriate manual. See CS 25.1529. (2) The proof factor is to be sustained for at least three minutes. (3) The ultimate factor is to be sustained for at least one minute. The factor having been achieved, the pressure vessel may be isolated from the pressure source for the remaining portion of the test period.

[Amdt. No.:25/1]

CS-25 BOOK 1**Appendix M****Fuel Tank Flammability Reduction Means (FRM)****M25.1 Fuel tank flammability exposure requirements**

- (a) The Fleet Average Flammability Exposure level of each fuel tank, as determined in accordance with Appendix N of CS-25, must not exceed 3 percent of the Flammability Exposure Evaluation Time (FEET), as defined in Appendix N of CS-25. If flammability reduction means (FRM) are used, neither time periods when any FRM is operational but the fuel tank is not inert, nor time periods when any FRM is inoperative may contribute more than 1.8 percent to the 3 percent average fleet flammability exposure of a tank.
- (b) The Fleet Average Flammability Exposure, as defined in Appendix N of this part, of each fuel tank for ground, takeoff/climb phases of flight during warm days must not exceed 3 percent of FEET in each of these phases. The analysis must consider the following conditions.
- (1) The analysis must use the subset of flights starting with a sea level ground ambient temperature of 26.7°C [80° F] (standard day plus 11.7°C (21° F) atmosphere) or more, from the flammability exposure analysis done for overall performance.
 - (2) For the ground, takeoff/climb phases of flight, the average flammability exposure must be calculated by dividing the time during the specific flight phase the fuel tank is flammable by the total time of the specific flight phase.
 - (3) Compliance with this paragraph may be shown using only those flights for which the aeroplane is dispatched with the flammability reduction means operational.

M25.2 Showing compliance

- (a) The applicant must provide data from analysis, ground testing, and flight testing, or any combination of these, that:
- (1) validate the parameters used in the analysis required by paragraph M25.1;
 - (2) substantiate that the FRM is effective at limiting flammability exposure in all compartments of each tank for which the FRM is used to show compliance

with paragraph M25.1; and

- (3) describe the circumstances under which the FRM would not be operated during each phase of flight.
 - (4) identify critical features of the fuel tank system to prevent an auxiliary fuel tank installation from increasing the flammability exposure of main tanks above that permitted under paragraphs M25.1 (a) and (b) of this appendix and to prevent degradation of the performance and reliability of the FRM.
- (b) The applicant must validate that the FRM meets the requirements of paragraph M25.1 of this appendix with any aeroplane or engine configuration affecting the performance of the FRM for which approval is sought.
- (c) Any FRM failures or failures that could affect the FRM, with potential catastrophic consequences shall not result from a single failure or a combination of failures not shown to be extremely improbable.
- (d) It must be shown that the fuel tank pressures will remain within limits during normal operating conditions and failure conditions.
- (e) Oxygen-enriched air produced by the FRM must not create a hazard during normal operating conditions.

M25.3 Reliability indications and maintenance access

- (a) Reliability indications must be provided to identify failures of the FRM that would otherwise be latent and whose identification is necessary to ensure the fuel tank with an FRM meets the fleet average flammability exposure listed in paragraph M25.1 of this appendix, including when the FRM is inoperative.
- (b) Sufficient accessibility to FRM reliability indications must be provided for maintenance personnel or the flight crew.
- (c) The accesses to the fuel tanks with FRMs (including any tanks that communicate with a tank via a vent system), and to any other confined spaces or enclosed areas that could contain hazardous atmosphere under normal conditions or failure conditions must be permanently stencilled, marked, or placarded to warn maintenance personnel of the possible

CS-25 BOOK 1

presence of a potentially hazardous atmosphere. Those stencils, markings or placards must be installed such as to remain permanently visible during maintenance operations.

M25.4 Airworthiness limitations and procedures

The FRM shall be subject to analysis using conventional processes and methodology to ensure that the minimum scheduled maintenance tasks required for securing the continuing airworthiness of the system and installation are identified and published as part of the CS 25.1529 compliance. Maintenance tasks arising from either the Monte Carlo analysis or a CS 25.1309 safety assessment shall be dealt with in accordance with the principles laid down in AMC 25.1309.

- (a) If FRM is used to comply with paragraph M25.1, Airworthiness Limitations must be identified for all maintenance or inspection tasks required to identify failures of components within the FRM that are needed to meet paragraph M25.1.
- (b) Maintenance procedures must be developed to identify any hazards to be considered during maintenance of the fuel system and of the FRM. These procedures must be included in the instructions for continued airworthiness (ICA).

[Amdt. No.: 25/6]

CS-25 BOOK 1

Appendix N

Fuel Tank Flammability Exposure

N25.1 General

- (a) This appendix specifies the requirements for conducting fuel tank fleet average flammability exposure analyses required to meet CS 25.981(b) and Appendix M. This appendix defines parameters affecting fuel tank flammability that must be used in performing the analysis. These include parameters that affect all aeroplanes within the fleet, such as a statistical distribution of ambient temperature, fuel flash point, flight lengths, and aeroplane descent rate. Demonstration of compliance also requires application of factors specific to the aeroplane model being evaluated. Factors that need to be included are maximum range, cruise mach number, typical altitude where the aeroplane begins initial cruise phase of flight, fuel temperature during both ground and flight times, and the performance of an FRM if installed (See AMC to appendix N, N25.1(a)).
- (b) For fuel tanks installed in aluminium wings, a qualitative assessment is sufficient if it substantiates that the tank is a conventional unheated aluminium wing tank (See AMC to Appendix N25.1(b)).

N25.2 Definitions

- (a) Bulk Average Fuel Temperature means the average fuel temperature within the fuel tank or different sections of the tank if the tank is subdivided by baffles or compartments.
- (b) Flammability Exposure Evaluation Time (FEET). The time from the start of preparing the aeroplane for flight, through the flight and landing, until all payload is unloaded, and all passengers and crew have disembarked. In the Monte Carlo program, the flight time is randomly selected from the Flight Length Distribution (Table 2), the pre-flight times are provided as a function of the flight time, and the post-flight time is a constant 30 minutes.
- (c) Flammable. With respect to a fluid or gas, flammable means susceptible to igniting readily or to exploding (ref. CS-Definitions). A non-flammable ullage is one where the fuel-air vapour is too lean or too rich to burn or is inert as defined below. For the purposes of this appendix, a fuel tank that is not inert is considered flammable when the bulk average fuel temperature within the tank is within the flammable range for the fuel type being used.

For any fuel tank that is subdivided into sections by baffles or compartments, the tank is considered flammable when the bulk average fuel temperature within any section of the tank, that is not inert, is within the flammable range for the fuel type being used.

- (d) Flash Point. The flash point of a flammable fluid means the lowest temperature at which the application of a flame to a heated sample causes the vapour to ignite momentarily, or "flash." Table 1 of this appendix provides the flash point for the standard fuel to be used in the analysis.
- (e) Fleet average flammability exposure is the percentage of the flammability exposure evaluation time (FEET) the fuel tank ullage is flammable for a fleet of an aeroplane type operating over the range of flight lengths in a world-wide range of environmental conditions and fuel properties as defined in this appendix.
- (f) Gaussian Distribution is another name for the normal distribution, a symmetrical frequency distribution having a precise mathematical formula relating the mean and standard deviation of the samples. Gaussian distributions yield bell shaped frequency curves having a preponderance of values around the mean with progressively fewer observations as the curve extends outward.
- (g) Hazardous atmosphere. An atmosphere that may expose maintenance personnel, passengers or flight crew to the risk of death, incapacitation, impairment of ability to self-rescue (that is, escape unaided from a confined space), injury, or acute illness.
- (h) Inert. For the purpose of this appendix, the tank is considered inert when the bulk average oxygen concentration within each compartment of the tank is 12 percent or less from sea level up to 10,000 feet altitude, then linearly increasing from 12 percent at 10,000 feet to 14.5 percent at 40,000 feet altitude, and extrapolated linearly above that altitude.
- (i) Inerting. A process where a non-combustible gas is introduced into the ullage of a fuel tank so that the ullage becomes non-flammable.
- (j) Monte Carlo Analysis. The analytical method that is specified in this appendix as the compliance means for assessing the fleet average flammability exposure time for a fuel

CS-25 BOOK 1

tank.

- (k) Oxygen evolution occurs when oxygen dissolved in the fuel is released into the ullage as the pressure and temperature in the fuel tank are reduced.
- (l) Standard deviation is a statistical measure of the dispersion or variation in a distribution, equal to the square root of the arithmetic mean of the squares of the deviations from the arithmetic means.
- (m) Transport Effects. For purposes of this appendix, transport effects are the change in fuel vapour concentration in a fuel tank caused by low fuel conditions and fuel condensation and vaporization.
- (n) Ullage. The volume within the fuel tank not occupied by liquid fuel.

N25.3 Fuel tank flammability exposure analysis

- (a) A flammability exposure analysis must be conducted for the fuel tank under evaluation to determine fleet average flammability exposure for the aeroplane and fuel types under evaluation. For fuel tanks that are subdivided by baffles or compartments, an analysis must be performed either for each section of the tank, or for the section of the tank having the highest flammability exposure. Consideration of transport effects is not allowed in the analysis.
- (b) The following parameters are defined in the Monte Carlo analysis and provided in paragraph N25.4:
 - (1) Cruise Ambient Temperature – as defined in this appendix.
 - (2) Ground Temperature – as defined in this appendix.
 - (3) Fuel Flash Point – as defined in this appendix.
 - (4) Flight length Distribution –that must be used is defined in Table 2 of this appendix.
- (c) Parameters that are specific to the particular aeroplane model under evaluation that must be provided as inputs to the Monte Carlo analysis are:
 - (1) Aeroplane Cruise Altitude
 - (2) Fuel Tank quantities. If fuel quantity affects fuel tank flammability, inputs to

the Monte Carlo analysis must be provided that represent the actual fuel quantity within the fuel tank or compartment of the fuel tank throughout each of the flights being evaluated. Input values for this data must be obtained from ground and flight test data or the EASA approved fuel management procedures.

- (3) Aeroplane cruise Mach Number.
- (4) Aeroplane maximum Range
- (5) Fuel Tank Thermal Characteristics. If fuel temperature affects fuel tank flammability, inputs to the Monte Carlo analysis must be provided that represent the actual bulk average fuel temperature within the fuel tank throughout each of the flights being evaluated. For fuel tanks that are subdivided by baffles or compartments, bulk average fuel temperature inputs must be provided either for each section of the tank or for the section of the tank having the highest flammability exposure. Input values for this data must be obtained from ground and flight test data or a thermal model of the tank that has been validated by ground and flight test data.
- (6) Maximum aeroplane operating temperature limit as defined by any limitations in the Aeroplane Flight Manual.
- (7) Aeroplane Utilization. The applicant must provide data supporting the number of flights per day and the number of hours per flight for the specific aeroplane model under evaluation. If there is no existing aeroplane fleet data to support the aeroplane being evaluated, the applicant must provide substantiation that the number of flights per day and the number of hours per flight for that aeroplane model is consistent with the existing fleet data they propose to use.
- (8) Aeroplane climb & descent profiles in accordance with the aircraft performance data documented in the Aircraft Flight Manual.
- (d) Fuel Tank FRM Model. If FRM is used, an Agency approved Monte Carlo program must be used to show compliance with the flammability requirements of CS 25.981 and

CS-25 BOOK 1

Appendix M of this part. The program must determine the time periods during each flight phase when the fuel tank or compartment with the FRM would be flammable. The following factors must be considered in establishing these time periods:

- (1) Any time periods throughout the flammability exposure evaluation time and under the full range of expected operating conditions, when the FRM is operating properly but fails to maintain a non-flammable fuel tank because of the effects of the fuel tank vent system or other causes,
- (2) If dispatch with the system inoperative under the Master Minimum Equipment List (MMEL) is requested, the time period assumed in the reliability analysis shall be consistent with the proposed rectification interval, depending on aeroplane utilisation,
- (3) Frequency and duration of time periods of FRM inoperability, substantiated by test or analysis, caused by latent or known failures, including aeroplane system shut-downs and failures that could cause the FRM to shut down or become inoperative,
- (4) Effects of failures of the FRM that could increase the flammability exposure of the fuel tank,
- (5) Oxygen Evolution: If an FRM is used that is affected by oxygen concentrations in the fuel tank, the time periods when oxygen evolution from the fuel results in the fuel tank or compartment exceeding the inert level. The applicant must include any times when oxygen evolution from the fuel in the tank or compartment under evaluation would result in a flammable fuel tank. The oxygen evolution rate that must be used is defined in the FAA document "Fuel Tank Flammability Assessment Method User's Manual", dated May 2008 (or latest revision), document number DOT/FAA/AR-05/8.
- (6) If an inerting system FRM is used, the effects of any air that may enter the fuel tank following the last flight of the day due to changes in ambient temperature, as defined in Table 4, during a 12-hour overnight period.

N25.4 Variables and data tables

The following data must be used when conducting a flammability exposure analysis to determine the fleet average flammability exposure. Variables used to calculate fleet flammability exposure must include atmospheric ambient temperatures, flight length, flammability exposure evaluation time, fuel flash point, thermal characteristics of the fuel tank, overnight temperature drop, and oxygen evolution from the fuel into the ullage.

- (a) Atmospheric Ambient Temperatures and Fuel Properties.
 - (1) In order to predict flammability exposure during a given flight, the variation of ground ambient temperatures, cruise ambient temperatures, and a method to compute the transition from ground to cruise and back again must be used. The variation of the ground and cruise ambient temperatures and the flash point of the fuel is defined by a Gaussian curve, given by the 50 percent value and a ± 1 -standard deviation value.
 - (2) Ambient Temperature: Under the program, the ground and cruise ambient temperatures are linked by a set of assumptions on the atmosphere. The temperature varies with altitude following the International Standard Atmosphere (ISA) rate of change from the ground ambient temperature until the cruise temperature for the flight is reached. Above this altitude, the ambient temperature is fixed at the cruise ambient temperature. This results in a variation in the upper atmospheric temperature. For cold days, an inversion is applied up to 10,000 feet, and then the ISA rate of change is used.
 - (3) Fuel properties:
 - (i) For Jet A and Jet A-1 fuel, the variation of flash point of the fuel is defined by a Gaussian curve, given by the 50 percent value and a ± 1 -standard deviation, as shown in Table 1.
 - (ii) The flammability envelope of the fuel that must be used for the flammability exposure analysis is a function of the flash point of the fuel selected by the Monte Carlo for a given flight. The

CS-25 BOOK 1

flammability envelope for the fuel is defined by the upper flammability limit (UFL) and lower flammability limit (LFL) as follows:

- (A) LFL at sea level = flash point temperature of the fuel at sea level minus 5.5°C (10°F). LFL decreases from sea level value with increasing altitude at a rate of 0.55 °C (1°F) per 808 feet.
- (B) UFL at sea level = flash point

temperature of the fuel at sea level plus 19.5°C (63.5°F). UFL decreases from the sea level value with increasing altitude at a rate of 0.55°C (1°F) per 512 feet.

- (4) For each flight analyzed, a separate random number must be generated for each of the three parameters (ground ambient temperature, cruise ambient temperature, and fuel flash point) using the Gaussian distribution defined in Table 1.

Table 1. Gaussian Distribution for Ground Ambient Temperature, Cruise Ambient Temperature, and Fuel Flash Point

Parameter	Temperature in Deg C/Deg F		
	Ground Ambient Temperature.	Cruise ambient Temperature.	Fuel Flash Point (FP)
Mean Temp	15.53/59.95	-56.67/ -70	48.89/ 120
Neg 1 std dev	11.18/ 20.14	4.4/ 8	4.4/ 8
Pos 1 std dev	9.6/ 17.28	4.4/ 8	4.4/8

- (b) The Flight Length Distribution defined in Table 2 must be used in the Monte Carlo analysis.

Table 2. Flight Length Distribution

		<i>Aeroplane Maximum Range – Nautical Miles (NM)</i>									
		1000	2000	3000	4000	5000	6000	7000	8000	9000	10000
<i>Flight Length (NM)</i>		<i>Distribution of flight lengths (Percentage of total)</i>									
From	To										
0	200	11.7	7.5	6.2	5.5	4.7	4.0	3.4	3.0	2.6	2.3
200	400	27.3	19.9	17.0	15.2	13.2	11.4	9.7	8.5	7.5	6.7
400	600	46.3	40.0	35.7	32.6	28.5	24.9	21.2	18.7	16.4	14.8
600	800	10.3	11.6	11.0	10.2	9.1	8.0	6.9	6.1	5.4	4.8
800	1000	4.4	8.5	8.6	8.2	7.4	6.6	5.7	5.0	4.5	4.0
1000	1200	0.0	4.8	5.3	5.3	4.8	4.3	3.8	3.3	3.0	2.7
1200	1400	0.0	3.6	4.4	4.5	4.2	3.8	3.3	3.0	2.7	2.4
1400	1600	0.0	2.2	3.3	3.5	3.3	3.1	2.7	2.4	2.2	2.0
1600	1800	0.0	1.2	2.3	2.6	2.5	2.4	2.1	1.9	1.7	1.6
1800	2000	0.0	0.7	2.2	2.6	2.6	2.5	2.2	2.0	1.8	1.7
2000	2200	0.0	0.0	1.6	2.1	2.2	2.1	1.9	1.7	1.6	1.4
2200	2400	0.0	0.0	1.1	1.6	1.7	1.7	1.6	1.4	1.3	1.2

CS-25 BOOK 1

		<i>Aeroplane Maximum Range – Nautical Miles (NM)</i>									
		<i>1000</i>	<i>2000</i>	<i>3000</i>	<i>4000</i>	<i>5000</i>	<i>6000</i>	<i>7000</i>	<i>8000</i>	<i>9000</i>	<i>10000</i>
<i>Flight Length (NM)</i>		<i>Distribution of flight lengths (Percentage of total)</i>									
2400	2600	0.0	0.0	0.7	1.2	1.4	1.4	1.3	1.2	1.1	1.0
2600	2800	0.0	0.0	0.4	0.9	1.0	1.1	1.0	0.9	0.9	0.8
2800	3000	0.0	0.0	0.2	0.6	0.7	0.8	0.7	0.7	0.6	0.6
3000	3200	0.0	0.0	0.0	0.6	0.8	0.8	0.8	0.8	0.7	0.7
3200	3400	0.0	0.0	0.0	0.7	1.1	1.2	1.2	1.1	1.1	1.0
3400	3600	0.0	0.0	0.0	0.7	1.3	1.6	1.6	1.5	1.5	1.4
3600	3800	0.0	0.0	0.0	0.9	2.2	2.7	2.8	2.7	2.6	2.5
3800	4000	0.0	0.0	0.0	0.5	2.0	2.6	2.8	2.8	2.7	2.6
4000	4200	0.0	0.0	0.0	0.0	2.1	3.0	3.2	3.3	3.2	3.1
4200	4400	0.0	0.0	0.0	0.0	1.4	2.2	2.5	2.6	2.6	2.5
4400	4600	0.0	0.0	0.0	0.0	1.0	2.0	2.3	2.5	2.5	2.4
4600	4800	0.0	0.0	0.0	0.0	0.6	1.5	1.8	2.0	2.0	2.0
4800	5000	0.0	0.0	0.0	0.0	0.2	1.0	1.4	1.5	1.6	1.5
5000	5200	0.0	0.0	0.0	0.0	0.0	0.8	1.1	1.3	1.3	1.3
5200	5400	0.0	0.0	0.0	0.0	0.0	0.8	1.2	1.5	1.6	1.6
5400	5600	0.0	0.0	0.0	0.0	0.0	0.9	1.7	2.1	2.2	2.3
5600	5800	0.0	0.0	0.0	0.0	0.0	0.6	1.6	2.2	2.4	2.5
5800	6000	0.0	0.0	0.0	0.0	0.0	0.2	1.8	2.4	2.8	2.9
6000	6200	0.0	0.0	0.0	0.0	0.0	0.0	1.7	2.6	3.1	3.3
6200	6400	0.0	0.0	0.0	0.0	0.0	0.0	1.4	2.4	2.9	3.1
6400	6600	0.0	0.0	0.0	0.0	0.0	0.0	0.9	1.8	2.2	2.5
6600	6800	0.0	0.0	0.0	0.0	0.0	0.0	0.5	1.2	1.6	1.9
6800	7000	0.0	0.0	0.0	0.0	0.0	0.0	0.2	0.8	1.1	1.3
7000	7200	0.0	0.0	0.0	0.0	0.0	0.0	0.0	0.4	0.7	0.8
7200	7400	0.0	0.0	0.0	0.0	0.0	0.0	0.0	0.3	0.5	0.7
7400	7600	0.0	0.0	0.0	0.0	0.0	0.0	0.0	0.2	0.5	0.6
7600	7800	0.0	0.0	0.0	0.0	0.0	0.0	0.0	0.1	0.5	0.7
7800	8000	0.0	0.0	0.0	0.0	0.0	0.0	0.0	0.1	0.6	0.8
8000	8200	0.0	0.0	0.0	0.0	0.0	0.0	0.0	0.0	0.5	0.8
8200	8400	0.0	0.0	0.0	0.0	0.0	0.0	0.0	0.0	0.5	1.0
8400	8600	0.0	0.0	0.0	0.0	0.0	0.0	0.0	0.0	0.6	1.3
8600	8800	0.0	0.0	0.0	0.0	0.0	0.0	0.0	0.0	0.4	1.1
8800	9000	0.0	0.0	0.0	0.0	0.0	0.0	0.0	0.0	0.2	0.8
9000	9200	0.0	0.0	0.0	0.0	0.0	0.0	0.0	0.0	0.0	0.5

CS-25 BOOK 1

		Aeroplane Maximum Range – Nautical Miles (NM)									
		1000	2000	3000	4000	5000	6000	7000	8000	9000	10000
Flight Length (NM)		Distribution of flight lengths (Percentage of total)									
9200	9400	0.0	0.0	0.0	0.0	0.0	0.0	0.0	0.0	0.0	0.2
9400	9600	0.0	0.0	0.0	0.0	0.0	0.0	0.0	0.0	0.0	0.1
9600	9800	0.0	0.0	0.0	0.0	0.0	0.0	0.0	0.0	0.0	0.1
9800	10000	0.0	0.0	0.0	0.0	0.0	0.0	0.0	0.0	0.0	0.1

(c) Overnight Temperature Drop. For aeroplanes on which FRM is installed, the overnight temperature drop for this appendix is defined using:

- (1) A temperature at the beginning of the overnight period that equals the landing temperature of the previous flight that is a random value based on a Gaussian distribution; and
- (2) An overnight temperature drop that is a random value based on a Gaussian distribution.
- (3) For any flight that will end with an overnight ground period (one flight per day out of an average of number of flights per day, depending on utilization of the particular aeroplane model being evaluated), the landing outside air temperature (OAT) is to be chosen as a random value from the following Gaussian curve:

Table 3. Landing Outside Air Temperature

Parameter	Landing Outside Air Temperature °C/ °F
Mean Temperature	14.82/ 58.68
negative 1 std dev	11.41/ 20.55
positive 1 std dev	7.34/ 13.21

(4) The outside ambient air temperature (OAT) overnight temperature drop is to be chosen as a random value from the following Gaussian curve:

Table 4. Outside Air Temperature (OAT) Drop

Parameter	OAT Drop Temperature °C/ °F
Mean Temp	-11.11/ 12.0
1 std dev	3.3/ 6.0

(d) Number of Simulated Flights Required in Analysis. In order for the Monte Carlo analysis to be valid for showing compliance with the fleet average and warm day flammability exposure requirements, the applicant must run the analysis for a minimum number of flights to ensure that the fleet average and warm day flammability exposure for the fuel tank under evaluation meets the applicable flammability limits defined in Table 5.

Table 5. Flammability Exposure Limit

Minimum Number of Flights in Monte Carlo Analysis	Maximum Acceptable Average Fuel Tank Exposure (%) to requirements	Monte Carlo Flammability to meet 3%	Maximum Acceptable Average Fuel Tank Exposure (%) to requirements	Monte Carlo Flammability to meet 7%
10,000	2.91		6.79	
100,000	2.98		6.96	
1,000,000	3.00		7.00	

[Amdt. No.: 25/6]

CS-25 BOOK 1

Appendix QAdditional airworthiness requirements for approval of a Steep Approach Landing (SAL) capability**(SAL) 25.1 Applicability**

This Appendix contains airworthiness requirements that enable an aeroplane to obtain approval for a steep approach landing capability using an approach path angle greater than or equal to 4.5° (a gradient of 7.9 %).

The requirements of this Appendix cover only CS-25 Subparts B and G and they apply in lieu of CS 25.121(d). They also apply in lieu of CS 25.125 if a reduced landing distance is sought, or if the landing procedure (speed, configuration, etc.) differs significantly from normal operation, or if the screen height is greater than 50 ft. Additional requirements may apply with respect to aeroplane systems or equipment or other relevant items such as autopilot, flight guidance, or GPWS. It is likely that the GPWS mode 1 (sink rate) envelope will need modification to prevent nuisance alerts. Also, the structural implications of the increased probability of high rates of descent at touchdown must be considered.

If a steep approach approval is required for flight in icing conditions, substantiation must be provided accordingly for the steep approach condition.

An applicant may choose to schedule information for an all-engines approach or for an approach with one engine inoperative. If an all-engines approach is scheduled, it is assumed that a diversion is required if an engine failure occurs prior to the decision to land.

(SAL) 25.2 Definitions

For the purposes of this Appendix:

— **Steep Approach Landing:** An approach to land made using a glide path angle greater than or equal to 4.5°, as selected by the applicant.

— **Screen Height:** The reference height above the runway surface from which the landing distance is measured. The screen height is a height selected by the applicant, at 50 ft or another value from 35 to 60 ft.

— $V_{REF(SAL)}$ is the calibrated airspeed selected by the applicant used during the stabilised approach at the selected approach path angle and maintained down to the screen height defined above. $V_{REF(SAL)}$ may not be less than 1.23 V_{SR} , V_{MCL} , or a speed that provides the manoeuvring capability specified in CS 25.143(h), whichever is greater and may be different from the V_{REF} used for standard approaches.

— $V_{REF(SAL)-1}$ is the calibrated airspeed selected by the applicant used during the stabilised one-engine-inoperative approach at the selected approach path angle and maintained down to the screen height defined above. $V_{REF(SAL)-1}$ may not be less than $V_{REF(SAL)}$.

(SAL) 25.3 Steep Approach Landing Distance

(Applicable only if a reduced landing distance is sought, or if the landing procedure (speed, configuration, etc.) differs significantly from normal operation, or if the screen height is greater than 50 ft.)

(a) The steep approach landing distance is the horizontal distance necessary to land and to come to a complete stop from the landing screen height and must be determined (for standard temperatures, at each weight, altitude and wind within the operational limits established by the applicant for the aeroplane) as follows:

(1) The aeroplane must be in the all-engines-operating or one-engine-inoperative steep approach landing configuration, as applicable.

(2) A stabilised approach, with a calibrated airspeed of $V_{REF(SAL)}$ or $V_{REF(SAL)-1}$ as appropriate, and at the selected approach angle must be maintained down to the screen height.

(3) Changes in configuration, power or thrust, and speed must be made in accordance with the established procedures for service operation (see AMC 25.125(b)(3)).

(4) The landing must be made without excessive vertical acceleration, tendency to bounce, nose over or ground loop and with a vertical touchdown velocity not greater than 6 ft/sec.

(5) The landings may not require exceptional piloting skill or alertness.

(b) The landing distance must be determined on a level, smooth, dry, hard-surfaced runway (see AMC 25.125(c)). In addition,

(1) The pressures on the wheel braking systems may not exceed those specified by the brake manufacturer;

(2) The brakes may not be used so as to cause excessive wear of brakes or tyres (see AMC 25.125(c)(2)); and

CS-25 BOOK 1

(3) Means other than wheel brakes may be used if that means

- (i) Is safe and reliable;
 - (ii) Is used so that consistent results can be expected in service; and
 - (iii) Is such that exceptional skill is not required to control the aeroplane.
- (c) Reserved.
- (d) Reserved.

(e) The landing distance data must include correction factors for not more than 50 % of the nominal wind components along the landing path opposite to the direction of landing, and not less than 150 % of the nominal wind components along the landing path in the direction of landing.

(f) If any device is used that depends on the operation of any engine, and if the landing distance would be noticeably increased when a landing is made with that engine assumed to fail during the final stages of an all-engines-operating steep approach, the steep approach landing distance must be determined with that engine inoperative unless the use of compensating means will result in a landing distance not more than that with each engine operating.

(SAL) 25.4 Climb: One-engine-inoperative

In a configuration corresponding to the normal all-engines-operating procedure in which VSR for this configuration does not exceed 110 % of the V_{SR} for the related all-engines-operating steep approach landing configuration, the steady gradient of climb may not be less than 2.1 % for two-engined aeroplanes, 2.4 % for three-engined aeroplanes, and 2.7 % for four-engined aeroplanes, with:

- (a) The critical engine inoperative, the remaining engines at the go-around power or thrust setting;
- (b) The maximum landing weight;
- (c) A climb speed of $V_{REF(SAL)}$; and
- (d) The landing gear retracted.

(SAL) 25.5 Safe operational and flight characteristics

(a) It must be demonstrated that it is possible to complete a stabilised approach in calm air down to the commencement of the landing flare,

followed by a touchdown and landing without displaying any hazardous characteristics for the following conditions (see AMC to Appendix Q, (SAL) 25.5):

- (1) The selected approach path angle at $V_{REF(SAL)}$ or $V_{REF(SAL)-1}$ as appropriate;
- (2) An approach path angle 2° steeper than the selected approach path angle, at $V_{REF(SAL)}$ or $V_{REF(SAL)-1}$ as appropriate; and
- (3) The selected approach path angle at $V_{REF(SAL)}$ minus 5 knots or $V_{REF(SAL)-1}$ minus 5 knots as appropriate.

(b) For conditions (1), (2), and (3):

(i) The demonstration must be conducted at the most critical weight and centre of gravity, either with all-engines-operating or with the critical engine inoperative, as appropriate;

(ii) The rate of descent must be reduced to 3 feet per second or less before touchdown;

(iii) Below a height of 200 ft no action shall be taken to increase power or thrust apart from those small changes which are necessary to maintain an accurate approach;

(iv) No nose depression by use of longitudinal control shall be made after initiating the flare other than those small changes necessary to maintain a continuous and consistent flare flight path; and

(v) The flare, touchdown and landing may not require exceptional piloting skill or alertness.

(c) For conditions (1) and (3), the flare must not be initiated above the screen height.

(d) For condition (2), it must be possible to achieve an approach path angle 2° steeper than the selected approach path angle in all configurations which exist down to the initiation of the flare, which must not occur above 150 % of the screen height. The flare technique used must be substantially unchanged from that recommended for use at the selected approach path angle.

(e) All-engines-operating steep approach.

It must be demonstrated that the aeroplane can safely transition from the all-engines-operating steep landing approach to the one-engine-

CS-25 BOOK 1

inoperative approach climb configuration with one engine having been made inoperative for the following conditions:

- (1) The selected steep approach angle;
- (2) An approach speed of $V_{REF(SAL)}$;
- (3) The most critical weight and centre of gravity; and
- (4) For propeller-powered aeroplanes, the propeller of the inoperative engine shall be at the position it automatically assumes following an engine failure at high power.

(f) In addition, for propeller-powered aeroplanes, it must be demonstrated that controllability is maintained following an engine failure at approach power and with the propeller at the position it automatically assumes.

(g) The height loss during the manoeuvre required by subparagraph (SAL) 25.5(e) must be determined.

(h) It must be demonstrated that the aeroplane is safely controllable during a landing with one engine having been made inoperative during the final stages of an all-engines-operating steep approach for the following conditions:

- (1) The selected steep approach angle;
- (2) An approach speed of $V_{REF(SAL)}$;
- (3) The most critical weight and centre of gravity; and
- (4) For propeller-powered aeroplanes, the propeller of the inoperative engine shall be at the position it automatically assumes following an engine failure at approach power.

(i) One-engine-inoperative steep approach.

It must be demonstrated that the aeroplane can safely transition from the one-engine-inoperative steep landing approach to the approach climb configuration for the following conditions:

- (1) The selected steep approach angle;
- (2) An approach speed of $V_{REF(SAL)-1}$;
- (3) The most critical weight and centre of gravity; and
- (4) For propeller-powered aeroplanes, the propeller of the inoperative engine may be feathered.

(SAL) 25.6 Aeroplane Flight Manual

For steep approach landing, the AFM shall include the following:

(a) The steep approach landing distance determined in accordance with paragraph (SAL) 25.3 of this Appendix for the selected screen height and aeroplane configuration. The landing distance data may additionally include correction factors for runway slope and temperature other than standard, within the operational limits of the aeroplane, and may provide the required landing field length including the appropriate factors for operational variations prescribed in the relevant operating regulation.

(b) The more limiting of the landing weight, altitude and temperature (WAT) limits derived in accordance with:

(1) CS 25.119, and

(2) The one-engine-inoperative approach climb requirement of paragraph (SAL) 25.4 of this Appendix.

(c) Appropriate limitations and detailed normal, non-normal, and emergency procedures. Where an aeroplane is not approved for deliberate one-engine-inoperative steep approach landings, this limitation shall be stated.

(d) A statement that the presentation of the steep approach limitations, procedures, and performance reflects the capability of the aeroplane to perform steep approach landings but that it does not constitute operational approval.

(e) A statement of headwind and crosswind limitations if they are different from those for non-steep approaches. The tailwind limitation is 5 knots unless test evidence shows that more than 5 knots is acceptable.

(f) The reference steep approach glide slope angle and the screen height used for determination of the landing distance.

(g) The height loss during a go-around from the all-engines-operating steep landing approach to the approach climb configuration with one engine made inoperative, determined in accordance with (SAL) 25.5(g).

[Amdt No: 25/13]

CS-25 BOOK 2

**EASA Certification Specifications
and Acceptable Means of Compliance
for
Large Aeroplanes**

**CS-25
Book 2**

Acceptable Means of Compliance

CS-25 BOOK 2

BOOK 2 – ACCEPTABLE MEANS OF COMPLIANCE – AMC

1 *GENERAL*

1.1 This Book 2 contains Acceptable Means of Compliance.

2 *PRESENTATION*

2.1 The Acceptable Means of Compliance are presented in full page.

2.2 A numbering system has been used in which the Acceptable Means of Compliance uses the same number as the paragraph in Book 1 to which it is related. The number is introduced by the letters AMC (Acceptable Means of Compliance) to distinguish the material from Book 1. Where an Acceptable Means of Compliance is relevant to more than one Book 1 paragraph, reference to the Acceptable Means of Compliance is included in the heading of each Book 1 paragraph.

2.3 Explanatory Notes not forming part of the AMC text appear in a smaller typeface.

2.4 Subpart J –Auxiliary Power Unit Installations – uses a numbering system that corresponds with the numbering of the related provisions in Subpart E – Powerplant Installations, except that the number includes the letter “J” to distinguish it as a sub-part J requirement. This numbering system is continued in Book 2, with the letters AMC added to distinguish the material from Book 1 as before.

2.5 In addition to the Acceptable Means of Compliance contained in this Book 2, AMC-20 also provides further Acceptable Means of Compliance to the requirements in Book 1 of this Certification Specification.

[Amdt. No.:25/1]

CS-25 BOOK 2**AMC – SUBPART B****AMC 25.21(d)
Proof of Compliance)**

1 Where variation of the parameter on which a tolerance is permitted will have an appreciable effect on the test, the result should be corrected to the specified value of the parameter; otherwise no correction is necessary.

2 In areas of critical handling or stability, notwithstanding the tolerance of CS 25.21(d) (7% total travel), aft centre of gravity tests should be flown at a centre of gravity not more forward than the certificate aft centre of gravity limit. Tests which are critical on the forward centre of gravity limit should be flown at centres of gravity at least as forward as the certificate forward limit.

**AMC 25.21(g)
Performance and Handling Characteristics in Icing Conditions Contained in Appendix C, of CS-25****Table of Contents**

<u>Para.</u>	<u>Title</u>
1	Purpose
2	Related Requirements
3	Reserved
4	Requirements and Guidance
4.1	General
4.2	Proof of Compliance (CS 25.21(g))
4.3	Propeller Speed and Pitch Limits (CS 25.33)
4.4	Performance - General (CS 25.101)
4.5	Stall Speed (CS 25.103)
4.6	Failure Conditions (CS 25.1309)
4.7	Flight-related Systems
4.8	Aeroplane Flight Manual (CS 25.1581)
5	Acceptable Means of Compliance - General
5.1	General
5.2	Flight Testing
5.3	Wind Tunnel Testing and Analysis
5.4	Engineering Simulator Testing and Analysis
5.5	Engineering Analysis
5.6	Ancestor Aeroplane Analysis
6	Acceptable Means of Compliance - Flight Test Programme
6.1	General
6.2	Stall Speed (CS 25.103)
6.3	Accelerate-stop Distance (CS 25.109)
6.4	Take-off Path (CS 25.111)
6.5	Landing Climb: All-engines-operating (CS 25.119)
6.6	Climb: One-engine-inoperative (CS 25.121)
6.7	En-route Flight Path (CS 25.123)
6.8	Landing (CS 25.125)
6.9	Controllability and Manoeuvrability - General (CS 25.143)
6.10	Longitudinal Control (CS 25.145)
6.11	Directional and Lateral Control (CS 25.147)
6.12	Trim (CS 25.161)
6.13	Stability - General (CS 25.171)
6.14	Demonstration of Static Longitudinal Stability (CS 25.175)
6.15	Static Directional and Lateral Stability (CS 25.177)
6.16	Dynamic Stability (CS 25.181)
6.17	Stall Demonstration (CS 25.201)
6.18	Stall Warning (CS 25.207)
6.19	Wind Velocities (CS 25.237)

CS-25 BOOK 2

- 6.20 Vibration and Buffeting (CS 25.251)
- 6.21 Natural Icing Conditions
- 6.22 Failure Conditions (CS 25.1309)
- A1 Appendix 1 - Airframe Ice Accretion
 - A1.1 General
 - A1.2 Operative Ice Protection System
 - A1.3 Ice Protection System Failure Cases
- A2 Appendix 2 - Artificial Ice Shapes
 - A2.1 General
 - A2.2 Shape and Texture of Artificial Ice
 - A2.3 "Sandpaper Ice"
- A3 Appendix 3 - Design Features
 - A3.1 Aeroplane Configuration and Ancestry
 - A3.2 Wing
 - A3.3 Empennage
 - A3.4 Aerodynamic Balancing of Flight Control Surfaces
 - A3.5 Ice Protection/Detection System

1 *Purpose.*

1.1 This AMC describes an acceptable means for showing compliance with the requirements related to performance and handling characteristics of Large Aeroplanes as affected by flight in the icing conditions that are defined in Appendix C to CS-25. The means of compliance described in this AMC is intended to provide guidance to supplement the engineering and operational judgement that should form the basis of any compliance findings relative to handling characteristics and performance in Appendix C icing conditions.

1.2 The guidance information is presented in sections 4 to 6 and three appendices.

1.3 Section 4 explains the various performance and handling requirements in relation to the flight conditions that are relevant for determining the shape and texture of ice accretions for the aeroplane in the atmospheric conditions of CS-25, Appendix C.

1.4 Section 5 describes acceptable methods and procedures that an applicant may use to show that an aeroplane meets these requirements. Depending on the design features of a specific aeroplane as discussed in Appendix 3 of this AMC, its similarity to other types or models, and the service history of those types or models, some judgement will often be necessary for determining that any particular method or procedure is adequate for showing compliance with a particular requirement.

1.5 Section 6 provides an acceptable flight test programme where flight testing is selected by the applicant and agreed by the Authority as being the primary means of compliance.

1.6 The three appendices provide additional reference material associated with ice accretion, artificial ice shapes, and aeroplane design features.

2 *Related Requirements.* The following paragraphs of CS-25 are related to the guidance in this AMC:

- CS 25.21 (Proof of compliance)
- CS 25.103 (Stall speed)
- CS 25.105 (Takeoff)
- CS 25.107 (Takeoff speeds)
- CS 25.111 (Takeoff path)
- CS 25.119 (Landing climb)
- CS 25.121 (Climb: One-engine-inoperative)
- CS 25.123 (En-route flight paths)
- CS 25.125 (Landing)
- CS 25.143 (Controllability and Manoeuvrability - General)
- CS 25.207 (Stall warning)

CS-25 BOOK 2

- CS 25.237 (Wind velocities)
- CS 25.253 (High-speed characteristics)
- CS 25.1309 (Equipment, systems, and installations)
- CS 25.1419 (Ice protection)
- CS 25.1581 (Aeroplane Flight Manual)
- CS-25, Appendix C

3 *Reserved.*

4 *Requirements and Guidance.*

4.1 *General.* This section provides guidance for showing compliance with Subpart B requirements for flight in the icing conditions of Appendix C to CS-25.

4.1.1 Operating rules for commercial operation of large aeroplanes (e.g. JAR-OPS 1.345) require that the aeroplane is free of any significant ice contamination at the beginning of the take-off roll due to application of appropriate ice removal and ice protection procedures during flight preparation on the ground.

4.1.2 Appendix C to CS-25 defines the ice accretions to be used in showing compliance with CS 25.21(g). Appendix 1 of this AMC provides details on ice accretions, including accounting for delay in the operation of the ice protection system and consideration of ice detection systems.

4.1.3 Certification experience has shown that it is not necessary to consider ice accumulation on the propeller, induction system or engine components of an inoperative engine for handling qualities substantiation. Similarly, the mass of the ice need not normally be considered.

4.1.4 Flight in icing conditions includes operation of the aeroplane after leaving the icing conditions, but with ice accretion remaining on the critical surfaces of the aeroplane.

4.2 *Proof of Compliance (CS 25.21(g)).*

4.2.1 Demonstration of compliance with certification requirements for flight in icing conditions may be accomplished by any of the means discussed in paragraph 5.1 of this AMC.

4.2.2 Certification experience has shown that aeroplanes of conventional design do not require additional detailed substantiation of compliance with the requirements of the following paragraphs of CS-25 for flight in icing conditions or with ice accretions:

25.23,
25.25,
25.27,
25.29,
25.31,
25.231,
25.233,
25.235,
25.253(a) and (b), and
25.255

4.2.3 Where normal operation of the ice protection system results in changing the stall warning system and/or stall identification system activation settings, it is acceptable to establish a procedure to return to the non icing settings when it can be demonstrated that the critical wing surfaces are free of ice accretion.

4.3 *Propeller Speed and Pitch Limits (CS 25.33).* Certification experience has shown that it may be necessary to impose additional propeller speed limits for operations in icing conditions.

CS-25 BOOK 2

4.4 *Performance - General (CS 25.101).*

4.4.1 The propulsive power or thrust available for each flight condition must be appropriate to the aeroplane operating limitations and normal procedures for flight in icing conditions. In general, it is acceptable to determine the propulsive power or thrust available by suitable analysis, substantiated when required by appropriate flight tests (e.g. when determining the power or thrust available after 8 seconds for CS 25.119). The following aspects should be considered:

- a. Operation of induction system ice protection.
- b. Operation of propeller ice protection.
- c. Operation of engine ice protection.
- d. Operation of airframe ice protection system.

4.4.2 The following should be considered when determining the change in performance due to flight in icing conditions:

- a. Thrust loss due to ice accretion on propulsion system components with normal operation of the ice protection system, including engine induction system and/or engine components, and propeller spinner and blades.
- b. The incremental airframe drag due to ice accretion with normal operation of the ice protection system.
- c. Changes in operating speeds due to flight in icing conditions.

4.4.3 Certification experience has shown that any increment in drag (or decrement in thrust) due to the effects of ice accumulation on the landing gear, propeller, induction system and engine components may be determined by a suitable analysis or by flight test.

4.4.4 Apart from the use of appropriate speed adjustments to account for operation in icing conditions, any changes in the procedures established for take-off, balked landing, and missed approaches should be agreed with the Authority.

4.4.5 Performance associated with flight in icing conditions is applicable after exiting icing conditions until the aeroplane critical surfaces are free of ice accretion and the ice protection systems are selected "Off."

4.4.6 Certification experience has also shown that runback ice may be critical for propellers, and propeller analyses do not always account for it. Therefore, runback ice on the propeller should be addressed, which may necessitate airplane performance checks in natural icing conditions or the use of an assumed (conservative) loss in propeller efficiency.

4.5 *Stall speed (CS 25.103).* Certification experience has shown that for aeroplanes of conventional design it is not necessary to make a separate determination of the effects of Mach number on stall speeds for the aeroplane with ice accretions.

4.6 *Failure Conditions (CS 25.1309).*

4.6.1 The failure modes of the ice protection system and the resulting effects on aeroplane handling and performance should be analysed in accordance with CS 25.1309. In determining the probability of a failure condition, it should be assumed that the probability of entering icing conditions is one. The "Failure Ice" configuration is defined in Appendix 1, paragraph A1.3.

4.6.2 For probable failure conditions that are not annunciated to the flight crew, the guidance in this AMC for a normal condition is applicable with the "Failure Ice" configuration.

CS-25 BOOK 2

4.6.3 For probable failure conditions that are annunciated to the flight crew, with an associated procedure that does not require the aeroplane to exit icing conditions, the guidance in this AMC for a normal condition is applicable with the "Failure Ice" configuration.

4.6.4 For probable failure conditions that are annunciated to the flight crew, with an associated operating procedure that requires the aeroplane to leave the icing conditions as soon as practicable, it should be shown that the aeroplane's resulting performance and handling characteristics with the failure ice accretion are commensurate with the hazard level as determined by a system safety analysis in accordance with CS 25.1309. The operating procedures and related speeds may restrict the aeroplane's operating envelope, but the size of the restricted envelope should be consistent with the safety analysis.

4.6.5 For failure conditions that are improbable but not extremely improbable, the analysis and substantiation of continued safe flight and landing, in accordance with CS 25.1309, should take into consideration whether annunciation of the failure is provided and the associated operating procedures and speeds to be used following the failure condition.

4.7 *Flight-related Systems.* In general, systems aspects are covered by the applicable systems and equipment requirements in other subparts of CS-25, and associated guidance material. However, certification experience has shown that other flight related systems aspects should be considered when determining compliance with the flight requirements of subpart B. For example, the following aspects may be relevant:

a. The ice protection systems may not anti-ice or de-ice properly at all power or thrust settings. This may result in a minimum power or thrust setting for operation in icing conditions which affects descent and/or approach capability. The effect of power or thrust setting should also be considered in determining the applicable ice accretions. For example, a thermal bleed air system may be running wet resulting in the potential for runback ice.

b. Ice blockage of control surface gaps and/or freezing of seals causing increased control forces, control restrictions or blockage.

c. Airspeed, altitude and/or angle of attack sensing errors due to ice accretion forward of the sensors (e.g. radome ice). Dynamic pressure ("q") operated feel systems using separate sensors also may be affected.

d. Ice blockage of unprotected inlets and vents that may affect the propulsive thrust available, aerodynamic drag, powerplant control, or flight control.

e. Operation of stall warning and stall identification reset features for flight in icing conditions, including the effects of failure to operate.

f. Operation of icing condition sensors, ice accretion sensors, and automatic or manual activation of ice protection systems.

g. Automatic flight control systems operation. Stall characteristics with critical ice accretions may be affected in stalls following autopilot disconnect or stall approaches with the autopilot engaged. (e.g. because of the trim setting at autopilot disconnect).

h. Installed thrust. This includes operation of ice protection systems when establishing acceptable power or thrust setting procedures, control, stability, lapse rates, rotor speed margins, temperature margins, Automatic Take-Off Thrust Control System (ATTCS) operation, and power or thrust lever angle functions.

CS-25 BOOK 2

4.8 *Aeroplane Flight Manual (CS 25.1581).*

4.8.1 *Limitations.*

4.8.1.1 Where limitations are required to ensure safe operation in icing conditions, these limitations should be stated in the AFM.

4.8.1.2 The Limitations section of the AFM should include, as applicable, a statement similar to the following: "In icing conditions the aeroplane must be operated, and its ice protection systems used, as described in the operating procedures section of this manual. Where specific operational speeds and performance information have been established for such conditions, this information must be used."

4.8.2 *Operating Procedures.*

4.8.2.1 AFM operating procedures for flight in icing conditions should include normal operation of the aeroplane including operation of the ice protection system and operation of the aeroplane following ice protection system failures. Any changes in procedures for other aeroplane system failures that affect the capability of the aeroplane to operate in icing conditions should be included.

4.8.2.2 Normal operating procedures provided in the AFM should reflect the procedures used to certify the aeroplane for flight in icing conditions. This includes configurations, speeds, ice protection system operation, power plant and systems operation, for take-off, climb, cruise, descent, holding, go-around, and landing.

4.8.2.3 Abnormal operating procedures should include the procedures to be followed in the event of annunciated ice protection system failures and suspected unannunciated failures. Any changes to other abnormal procedures contained in the AFM, due to flight in icing conditions, should also be included.

4.8.3 *Performance Information.* Performance information, derived in accordance with subpart B of CS-25, must be provided in the AFM for all relevant phases of flight.

5 *Acceptable Means of Compliance - General.*

5.1 *General.*

5.1.1 This section describes acceptable methods and procedures that an applicant may use to show that an aeroplane meets the performance and handling requirements of subpart B in the atmospheric conditions of Appendix C to CS-25.

5.1.2 Compliance with CS 25.21(g) should be shown by one or more of the methods listed in this section.

5.1.3 The compliance process should address all phases of flight, including take-off, climb, cruise, holding, descent, landing, and go-around as appropriate to the aeroplane type, considering its typical operating regime.

5.1.4 The design features included in Appendix 3 of this AMC should be considered when determining the extent of the substantiation programme.

5.1.5 Appropriate means for showing compliance include the actions and items listed in Table 1. These are explained in more detail in the following sections of this AMC.

CS-25 BOOK 2

TABLE 1: Means for Showing Compliance

Flight Testing	Flight testing in dry air using artificial ice shapes or with ice shapes created in natural icing conditions.
Wind Tunnel Testing and Analysis	An analysis of results from wind tunnel tests with artificial or actual ice shapes.
Engineering Simulator Testing and Analysis	An analysis of results from engineering simulator tests.
Engineering Analysis	An analysis which may include the results from executing an agreed computer code.
Ancestor Aeroplane Analysis	An analysis of results from a closely related ancestor aeroplane.

5.1.6 Various factors that affect ice accretion on the airframe with an operative ice protection system and with ice protection system failures are discussed in Appendix 1 of this AMC.

5.1.7 An acceptable methodology to obtain agreement on the artificial ice shapes is given in Appendix 2 of this AMC. That appendix also provides the different types of artificial ice shapes to be considered.

5.2 *Flight Testing.*

5.2.1 *General.*

5.2.1.1 The extent of the flight test programme should consider the results obtained with the non-contaminated aeroplane and the design features of the aeroplane as discussed in Appendix 3 of this AMC.

5.2.1.2 It is not necessary to repeat an extensive performance and flight characteristics test programme on an aeroplane with ice accretion. A suitable programme that is sufficient to demonstrate compliance with the requirements can be established from experience with aeroplanes of similar size, and from review of the ice protection system design, control system design, wing design, horizontal and vertical stabiliser design, performance characteristics, and handling characteristics of the non-contaminated aeroplane. In particular, it is not necessary to investigate all weight and centre of gravity combinations when results from the non-contaminated aeroplane clearly indicate the most critical combination to be tested. It is not necessary to investigate the flight characteristics of the aeroplane at high altitude (i.e. above the upper limit specified in Appendix C to CS-25). An acceptable flight test programme is provided in section 6 of this AMC.

5.2.1.3 Certification experience has shown that tests are usually necessary to evaluate the consequences of ice protection system failures on handling characteristics and performance and to demonstrate continued safe flight and landing.

5.2.2 *Flight Testing Using Approved Artificial Ice Shapes.*

5.2.2.1 The performance and handling tests may be based on flight testing in dry air using artificial ice shapes that have been agreed with the Authority.

5.2.2.2 Additional limited flight tests are discussed in paragraph 5.2.3, below.

5.2.3 *Flight Testing In Natural Icing Conditions.*

5.2.3.1 Where flight testing with ice accretion obtained in natural atmospheric icing conditions is the primary means of compliance, the conditions should be measured and recorded. The tests should ensure good coverage of Appendix C conditions and, in particular, the critical conditions. The conditions for accreting ice (including the icing atmosphere, configuration, speed and duration of exposure) should be agreed with the Authority.

CS-25 BOOK 2

5.2.3.2 Where flight testing with artificial ice shapes is the primary means of compliance, additional limited flight tests should be conducted with ice accretion obtained in natural icing conditions. The objective of these tests is to corroborate the handling characteristics and performance results obtained in flight testing with artificial ice shapes. As such, it is not necessary to measure the atmospheric characteristics (i.e. liquid water content (LWC) and median volumetric diameter (MVD)) of the flight test icing conditions. For some derivative aeroplanes with similar aerodynamic characteristics as the ancestor, it may not be necessary to carry out additional flight test in natural icing conditions if such tests have been already performed with the ancestor.

5.3 *Wind Tunnel Testing and Analysis.* Analysis of the results of dry air wind tunnel testing of models with artificial ice shapes, as defined in Part II of Appendix C to CS-25, may be used to substantiate the performance and handling characteristics.

5.4 *Engineering Simulator Testing and Analysis.* The results of an engineering simulator analysis of an aeroplane that includes the effects of the ice accretions as defined in Part II of Appendix C to CS-25 may be used to substantiate the handling characteristics. The data used to model the effects of ice accretions for the engineering simulator may be based on results of dry air wind tunnel tests, flight tests, computational analysis, and engineering judgement.

5.5 *Engineering Analysis.* An engineering analysis that includes the effects of the ice accretions as defined in Part II of Appendix C to CS-25 may be used to substantiate the performance and handling characteristics. The effects of the ice shapes used in this analysis may be determined by an analysis of the results of dry air wind tunnel tests, flight tests, computational analysis, engineering simulator analysis, and engineering judgement.

5.6 *Ancestor Aeroplane Analysis.*

5.6.1 An ancestor aeroplane analysis that includes the effect of the ice accretions as defined in Part II of Appendix C to CS-25 may be used to substantiate the performance and handling characteristics. This analysis should consider the similarity of the configuration, operating envelope, performance and handling characteristics, and ice protection system of the ancestor aeroplane.

5.6.2 The analysis may include flight test data, dry air wind tunnel test data, icing tunnel test data, engineering simulator analysis, service history, and engineering judgement.

6 *Acceptable Means of Compliance - Flight Test Programme.*

6.1 *General.*

6.1.1 This section provides an acceptable flight test programme where flight testing is selected by the applicant and agreed by the Authority as being the primary means for showing compliance.

6.1.2 Where an alternate means of compliance is proposed for a specific paragraph in this section, it should enable compliance to be shown with at least the same degree of confidence as flight test would provide (see CS 25.21(a)(1)).

6.1.3 This test programme is based on the assumption that the applicant will choose to use the holding ice accretion for the majority of the testing assuming that it is the most conservative ice accretion. In general, the applicant may choose to use an ice accretion that is either conservative or is the specific ice accretion that is appropriate to the particular phase of flight. In accordance with part II(a) of appendix C to CS-25, if the holding ice accretion is not as conservative as the ice accretion appropriate to the flight phase, then the ice accretion appropriate to the flight phase (or a more conservative ice accretion) must be used.

6.2 *Stall Speed (CS 25.103).*

6.2.1 The stall speed for intermediate high lift configurations can normally be obtained by interpolation. However if a stall identification system (e.g. stick pusher) firing point is set as a function

CS-25 BOOK 2

of the high lift configuration and/or the firing point is reset for icing conditions, or if significant configuration changes occur with extension of trailing edge flaps (such as wing leading edge high-lift device position movement), additional tests may be necessary.

6.2.2 *Acceptable Test Programme*. The following represents an acceptable test programme subject to the provisions outlined above:

- a. Forward centre of gravity position appropriate to the configuration.
- b. Normal stall test altitude.
- c. In the configurations listed below, trim the aeroplane at an initial speed of 1.13 to 1.30 V_{SR} . Decrease speed until an acceptable stall identification is obtained.
 - i. High lift devices retracted configuration, "Final Take-off Ice."
 - ii. High lift devices retracted configuration, "En-route Ice."
 - iii. Holding configuration, "Holding Ice."
 - iv. Lowest lift take-off configuration, "Holding Ice."
 - v. Highest lift take-off configuration, "Take-off Ice."
 - vi. Highest lift landing configuration, "Holding Ice."

6.3 *Accelerate-stop Distance (CS 25.109)*. The effect of any increase in V_1 due to take-off in icing conditions may be determined by a suitable analysis.

6.4 *Take-off Path (CS 25.111)*. If V_{SR} in the configuration defined by CS 25.121(b) with the "Takeoff Ice" accretion defined in Appendix C to CS-25 exceeds V_{SR} for the same configuration without ice accretions by more than the greater of 5.6 km/h (3 knots) or 3%, the take-off demonstrations should be repeated to substantiate the speed schedule and distances for take-off in icing conditions. The effect of the take-off speed increase, thrust loss, and drag increase on the take-off path may be determined by a suitable analysis.

6.5 *Landing Climb: All-engines-operating (CS 25.119)*. *Acceptable Test Programme*. The following represents an acceptable test programme:

- a. "Holding Ice."
- b. Forward centre of gravity position appropriate to the configuration.
- c. Highest lift landing configuration, landing climb speed no greater than V_{REF} .
- d. Stabilise at the specified speed and conduct 2 climbs or drag polar checks as agreed with the Authority.

6.6 *Climb: One-engine-inoperative (CS 25.121)*. *Acceptable Test Programme*. The following represents an acceptable test programme:

- a. Forward centre of gravity position appropriate to the configuration.
- b. In the configurations listed below, stabilise the aeroplane at the specified speed with one engine inoperative (or simulated inoperative if all effects can be taken into account) and conduct 2 climbs in each configuration or drag polar checks substantiated for the asymmetric drag increment as agreed with the Authority.

CS-25 BOOK 2

- i. High lift devices retracted configuration, final take-off climb speed, "Final Take-off Ice."
- ii. Lowest lift take-off configuration, landing gear retracted, V_2 climb speed, "Take-off Ice."
- iii. Approach configuration appropriate to the highest lift landing configuration, landing gear retracted, approach climb speed, "Holding Ice."

6.7 *En-route Flight Path (CS 25.123). Acceptable Test Programme.* The following represents an acceptable test programme:

- a. "En-route Ice."
- b. Forward centre of gravity position appropriate to the configuration.
- c. En-route configuration and climb speed.
- d. Stabilise at the specified speed with one engine inoperative (or simulated inoperative if all effects can be taken into account) and conduct 2 climbs or drag polar checks substantiated for the asymmetric drag increment as agreed with the Authority.

6.8 *Landing (CS 25.125).* The effect of landing speed increase on the landing distance may be determined by a suitable analysis.

6.9 *Controllability and Manoeuvrability - General (CS 25.143 and 25.177).*

6.9.1 A qualitative and quantitative evaluation is usually necessary to evaluate the aeroplane's controllability and manoeuvrability. In the case of marginal compliance, or the force limits or stick force per g limits of CS 25.143 being approached, additional substantiation may be necessary to establish compliance. In general, it is not necessary to consider separately the ice accretion appropriate to take-off and en-route because the "Holding Ice" is usually the most critical.

6.9.2 *General Controllability and Manoeuvrability.* The following represents an acceptable test programme for general controllability and manoeuvrability, subject to the provisions outlined above:

- a. "Holding Ice."
- b. Medium to light weight, aft centre of gravity position, symmetric fuel loading.
- c. In the configurations listed in Table 2, trim at the specified speeds and conduct the following manoeuvres:
 - i. 30° banked turns left and right with rapid reversals;
 - ii. Pull up to 1.5g (except that this may be limited to 1.3g at V_{REF}), and pushover to 0.5g (except that the pushover is not required at V_{MO} and V_{FE}); and
 - iii. Deploy and retract deceleration devices.

CS-25 BOOK 2

TABLE 2: Trim Speeds

<i>Configuration</i>	<i>Trim Speed</i>
High lift devices retracted configuration:	<ul style="list-style-type: none"> • $1.3 V_{SR}$, and • V_{MO} or 463 km/h (250 knots) IAS, whichever is less
Lowest lift takeoff configuration:	<ul style="list-style-type: none"> • $1.3 V_{SR}$, and • V_{FE} or 463 km/h (250 knots) IAS, whichever is less
Highest lift landing configuration:	<ul style="list-style-type: none"> • V_{REF}, and • V_{FE} or 463 km/h (250 knots) IAS, whichever is less.

d. Lowest lift take-off configuration: At the greater of $1.13 V_{SR}$ or V_2 MIN, with the critical engine inoperative (or simulated inoperative if all effects can be taken into account), conduct 30° banked turns left and right with normal turn reversals and, in wings-level flight, a 9.3 km/h (5 knot) speed decrease and increase.

e. Conduct an approach and go-around with all engines operating using the recommended procedure.

f. Conduct an approach and go-around with the critical engine inoperative (or simulated inoperative if all effects can be taken into account) using the recommended procedure.

g. Conduct an approach and landing using the recommended procedure. In addition satisfactory controllability should be demonstrated during a landing at V_{REF} minus 9.3 km/h (5 knots). These tests should be done at heavy weight and forward centre of gravity.

h. Conduct an approach and landing with the critical engine inoperative (or simulated inoperative if all effects can be taken into account) using the recommended procedure.

6.9.3 *Evaluation of Lateral Control Characteristics.* Aileron hinge moment reversal and other lateral control anomalies have been implicated in icing accidents and incidents. The following manoeuvre, along with the evaluation of lateral controllability during a deceleration to the stall warning speed covered in paragraph 6.17.2(e) of this AMC and the evaluation of static lateral-directional stability covered in paragraph 6.15 of this AMC, is intended to evaluate any adverse effects arising from both stall of the outer portion of the wing and control force characteristics.

(a) Holding configuration, holding ice accretion, maximum landing weight, forward centre-of-gravity position, minimum holding speed (highest expected holding angle-of-attack); and

(b) Landing configuration, most critical of holding, approach, and landing ice accretions, medium to light weight, forward centre-of-gravity position, V_{REF} (highest expected landing approach angle-of-attack).

- 1 Establish a 30-degree banked level turn in one direction.
- 2 Using a step input of approximately 1/3 full lateral control deflection, roll the aeroplane in the other direction.
- 3 Maintain the control input as the aeroplane passes through a wings level attitude.
- 4 At approximately 20 degrees of bank in the other direction, apply a step input in the opposite direction to approximately 1/3 full lateral control deflection.
- 5 Release the control input as the aeroplane passes through a wings level attitude.
- 6 Repeat this test procedure with 2/3 and up to full lateral control deflection unless the roll rate or structural loading is judged excessive. It should be possible to readily arrest and reverse the roll rate using only lateral control input, and the lateral control force should not reverse with increasing control deflection.

6.9.4 *Low g Manoeuvres and Sideslips.* The following represents an example of an acceptable test program for showing compliance with controllability requirements in low g manoeuvres and in sideslips

CS-25 BOOK 2

to evaluate susceptibility to ice-contaminated tailplane stall.

6.9.4.1 CS25.143(i)(2) states: "It must be shown that a push force is required throughout a pushover manoeuvre down to zero g or the lowest load factor obtainable if limited by elevator power or other design characteristic of the flight control system. It must be possible to promptly recover from the manoeuvre without exceeding 222 N. (50 lbf) pull control force".

6.9.4.2 Any changes in force that the pilot must apply to the pitch control to maintain speed with increasing sideslip angle must be steadily increasing with no force reversals, unless the change in control force is gradual and easily controllable by the pilot without using exceptional piloting skill, alertness, or strength. Discontinuities in the control force characteristic, unless so small as to be unnoticeable, would not be considered to meet the requirement that the force be steadily increasing. A gradual change in control force is a change that is not abrupt and does not have a steep gradient that can be easily managed by a pilot of average skill, alertness, and strength. Control forces in excess of those permitted by CS25.143(c) would be considered excessive. (See paragraph 6.15.1 of this AMC for lateral-directional aspects).

6.9.4.3 The test manoeuvres described in paragraphs 6.9.4.1 and 6.9.4.2, above, should be conducted using the following configurations and procedures:

a. "Holding Ice." For aeroplanes with unpowered elevators, these tests should also be performed with "Sandpaper Ice."

b. Medium to light weight, the most critical of aft or forward centre of gravity position, symmetric fuel loading.

c. In the configurations listed below, with the aeroplane in trim, or as nearly as possible in trim, at the specified trim speed, perform a continuous manoeuvre (without changing trim) to reach zero g normal load factor or, if limited by elevator control authority, the lowest load factor obtainable at the target speed.

i. Highest lift landing configuration at idle power or thrust, and the more critical of:

- Trim speed $1.23 V_{SR}$, target speed not more than $1.23 V_{SR}$, or
- Trim speed V_{FE} , target speed not less than $V_{FE} - 37$ km/h (20 knots)

ii. Highest lift landing configuration at go-around power or thrust, and the more critical of:

- Trim speed $1.23 V_{SR}$, target speed not more than $1.23 V_{SR}$, or
- Trim speed V_{FE} , target speed not less than $V_{FE} - 37$ km/h (20 knots)

d.. Conduct steady heading sideslips to full rudder authority, 801 N. (180 lbf) rudder force or full lateral control authority (whichever comes first), with highest lift landing configuration, trim speed $1.23 V_{SR}$, and power or thrust for -3° flight path angle.

6.9.5 *Controllability prior to Normal Operation of the Ice Protection System.* The following represents an acceptable test programme for compliance with controllability requirements with the ice accretion prior to normal operation of the ice protection system.

6.9.5.1 Where the ice protection system is activated as described in paragraph A1.2.3.4.a of Appendix 1 of this AMC, paragraphs 6.9.1, 6.9.2 and 6.9.4 of this AMC are applicable with the ice accretion prior to normal system operation.

6.9.5.2 Where the ice protection system is activated as described in paragraphs A1.2.3.4.b,c,d or e of Appendix 1 of this AMC, it is acceptable to demonstrate adequate controllability with the ice accretion prior to normal system operation, as follows:

CS-25 BOOK 2

a. In the configurations listed below, trim the aeroplane at the specified speed. Conduct pull up to 1.5g and pushover to 0.5g without longitudinal control force reversal.

i. High lift devices retracted configuration (or holding configuration if different), holding speed, power or thrust for level flight.

ii. Landing configuration, V_{REF} for non-icing conditions, power or thrust for landing approach (limit pull up to stall warning).

6.10 *Longitudinal Control (CS 25.145).*

6.10.1 No specific quantitative evaluations are required for demonstrating compliance with CS 25.145(b) and (c). Qualitative evaluations should be combined with the other testing. The results from the non-contaminated aeroplane tests should be reviewed to determine whether there are any cases where there was marginal compliance. If so, these cases should be repeated with ice.

6.10.2 *Acceptable Test Programme.* The following represents an acceptable test programme for compliance with CS 25.145(a):

a. "Holding ice."

b. Medium to light weight, aft centre of gravity position, symmetric fuel loading.

c. In the configurations listed below, trim the aeroplane at $1.3 V_{SR}$. Reduce speed using elevator control to stall warning plus one second and demonstrate prompt recovery to the trim speed using elevator control.

i. High lift devices retracted configuration, maximum continuous power or thrust.

ii. Maximum lift landing configuration, maximum continuous power or thrust.

6.11 *Directional and Lateral Control (CS 25.147).* Qualitative evaluations should be combined with the other testing. The results from the non-contaminated aeroplane tests should be reviewed to determine whether there are any cases where there was marginal compliance. If so, these cases should be repeated with ice.

6.12 Trim (CS 25.161).

6.12.1 Qualitative evaluations should be combined with the other testing. The results from the non-contaminated aeroplane tests should be reviewed to determine whether there are any cases where there was marginal compliance. If so, these cases should be repeated with ice. In addition a specific check should be made to demonstrate compliance with CS 25.161(c)(2).

6.12.2 The following represents a representative test program for compliance with 25.161(c)(2).

a. Holding ice.

b. Most critical landing weight, forward centre of gravity position, symmetric fuel loading.

c. In the configurations below, trim the aircraft at the specified speed.

i. Maximum lift landing configuration, landing gear extended, and the most critical of:

- Speed $1.3V_{SR1}$ with Idle power or thrust; or,

- Speed V_{REF} with power or thrust corresponding to a 3 deg glidepath'

6.13 *Stability - General (CS 25.171).* Qualitative evaluations should be combined with the other testing. Any tendency to change speed when trimmed or requirement for frequent trim inputs should

CS-25 BOOK 2

be specifically investigated.

6.14 *Demonstration of Static Longitudinal Stability (CS 25.175).*

6.14.1 Each of the following cases should be tested. In general, it is not necessary to test the cruise configuration at low speed (CS 25.175(b)(2)) or the cruise configuration with landing gear extended (CS 25.175(b)(3)); nor is it necessary to test at high altitude. The maximum speed for substantiation of stability characteristics in icing conditions (as prescribed by CS 25.253(c)) is the lower of 556 km/h (300 knots) CAS, VFC, or a speed at which it is demonstrated that the airframe will be free of ice accretion due to the effects of increased dynamic pressure.

6.14.2 *Acceptable Test Programme.* The following represents an acceptable test programme for demonstration of static longitudinal stability:

- a. "Holding Ice."
- b. High landing weight, aft centre of gravity position, symmetric fuel loading.
- c. In the configurations listed below, trim the aeroplane at the specified speed. The power or thrust should be set and stability demonstrated over the speed ranges as stated in CS 25.175(a) through (d), as applicable.
 - i. Climb: With high lift devices retracted, trim at the speed for best rate-of-climb, except that the speed need not be less than 1.3 VSR.
 - ii. Cruise: With high lift devices retracted, trim at V_{MO} or 463 km/h (250 knots) CAS, whichever is lower.
 - iii. Approach: With the high lift devices in the approach position appropriate to the highest lift landing configuration, trim at 1.3 V_{SR} .
 - iv. Landing: With the highest lift landing configuration, trim at 1.3 V_{SR} .

6.15 *Static Directional and Lateral Stability (CS 25.177).*

6.15.1 Compliance should be demonstrated using steady heading sideslips to show compliance with directional and lateral stability. The maximum sideslip angles obtained should be recorded and may be used to substantiate a crosswind value for landing (see paragraph 6.19 of this AMC).

6.15.2 *Acceptable Test Programme.* The following represents an acceptable test programme for static directional and lateral stability:

- a. "Holding Ice."
- b. Medium to light weight, aft centre of gravity position, symmetric fuel loading.
- c. In the configurations listed below, trim the aeroplane at the specified speed and conduct steady heading sideslips to full rudder authority, 801 N. (180 lbf) rudder pedal force, or full lateral control authority, whichever comes first.
 - i. High lift devices retracted configuration: Trim at best rate-of-climb speed, but need not be less than 1.3 V_{SR} .
 - ii. Lowest lift take-off configuration: Trim at the all-engines-operating initial climb speed.
 - iii. Highest lift landing configuration: Trim at V_{REF} .

6.16 *Dynamic Stability (CS 25.181).* Provided that there are no marginal compliance aspects with

CS-25 BOOK 2

the non-contaminated aeroplane, it is not necessary to demonstrate dynamic stability in specific tests. Qualitative evaluations should be combined with the other testing. Any tendency to sustain oscillations in turbulence or difficulty in achieving precise attitude control should be investigated.

6.17 *Stall Demonstration (CS 25.201).*

6.17.1 Sufficient stall testing should be conducted to demonstrate that the stall characteristics comply with the requirements. In general, it is not necessary to conduct a stall programme which encompasses all weights, centre of gravity positions (including lateral asymmetry), altitudes, high lift configurations, deceleration device configurations, straight and turning flight stalls, power off and power on stalls. Based on a review of the stall characteristics of the non-contaminated aeroplane, a reduced test matrix can be established. However, additional testing may be necessary if:

- the stall characteristics with ice accretion show a significant difference from the non-contaminated aeroplane,
- testing indicates marginal compliance, or
- a stall identification system (e.g. stick pusher) is required to be reset for icing conditions.

6.17.2 *Acceptable Test Programme.* Turning flight stalls at decelerations greater than 1 knot/sec are not required. Slow decelerations (much slower than 1 knot/sec) may be critical on aeroplanes with anticipation logic in their stall protection system or on aeroplanes with low directional stability, where large sideslip angles could develop. The following represents an acceptable test programme subject to the provisions outlined above.

- a. "Holding Ice."
- b. Medium to light weight, aft centre of gravity position, symmetric fuel loading.
- c. Normal stall test altitude.
- d. In the configurations listed below, trim the aeroplane at the same initial stall speed factor used for stall speed determination. For power-on stalls, use the power setting as defined in CS 25.201(a)(2) but with ice accretions on the aeroplane. Decrease speed at a rate not to exceed 1 knot/sec to stall identification and recover using the same test technique as for the non-contaminated aeroplane.
 - i. High lift devices retracted configuration: Straight/Power Off, Straight/Power On, Turning/Power Off, Turning/Power On.
 - ii. Lowest lift take-off configuration: Straight/Power On, Turning/Power Off.
 - iii. Highest lift take-off configuration: Straight/Power Off, Turning/Power On.
 - iv. Highest lift landing configuration: Straight/Power Off, Straight/Power On, Turning/Power Off, Turning/Power On.
- e. For the configurations listed in paragraph 6.17.2(d)i and iv, and any other configuration if deemed more critical, in 1 knot/second deceleration rates down to stall warning with wings level and power off, roll the airplane left and right up to 10 degrees of bank using the lateral control.

6.18 *Stall Warning (CS 25.207).*

6.18.1 Stall warning should be assessed in conjunction with stall speed testing and stall demonstration testing (CS 25.103, CS 25.201 and paragraphs 6.2 and 6.17 of this AMC, respectively) and in tests with faster entry rates.

6.18.2 *Normal Ice Protection System Operation.* The following represents an acceptable test

CS-25 BOOK 2

programme for stall warning in slow down turns of at least 1.5g and at entry rates of at least 1 m/sec² (2 knot/sec):

- a. "Holding Ice."
- b. Medium to light weight, aft centre of gravity position, symmetric fuel loading.
- c. Normal stall test altitude.
- d. In the configurations listed below, trim the aeroplane at $1.3V_{SR}$ with the power or thrust necessary to maintain straight level flight. Maintain the trim power or thrust during the test demonstrations. Increase speed as necessary prior to establishing at least 1.5g and a deceleration of at least 1 m/sec² (2 knot/sec). Decrease speed until 1 sec after stall warning and recover using the same test technique as for the non-contaminated aeroplane.
 - i. High lift devices retracted configuration;
 - ii. Lowest lift take-off configuration; and
 - iii. Highest lift landing configuration.

6.18.3 *Ice Accretion Prior to Normal System Operation.* The following represent acceptable means for evaluating stall warning margin with the ice accretion prior to normal operation of the ice protection system.

6.18.3.1 Where the ice protection system is activated as described in paragraph A1.2.3.4.a, of Appendix 1 of this AMC, paragraphs 6.18.1 and 6.18.2 of this AMC are applicable with the ice accretion prior to normal system operation.

6.18.3.2 Where the ice protection system is activated as described in paragraphs A1.2.3.4.b,c,d or e of Appendix 1 of this AMC, it is acceptable to demonstrate adequate stall warning with the ice accretion prior to normal system operation, as follows:

- a. In the configurations listed below, trim the aeroplane at $1.3 V_{SR}$.
 - i. High lift devices retracted configuration: Straight/Power Off.
 - ii. Landing configuration: Straight/Power Off.
- b. At decelerations of up to 0.5 m/sec² (1 knot per second), reduce the speed to stall warning plus 1 second, and demonstrate that stalling can be prevented using the same test technique as for the non-contaminated aeroplane, without encountering any adverse characteristics (e.g., a rapid roll-off). As required by CS 25.207(h)(2)(ii), where stall warning is provided by a different means than for the aeroplane without ice accretion, the stall characteristics must be satisfactory and the delay must be at least 3 seconds.

6.19 *Wind Velocities (CS 25.237).*

6.19.1 Crosswind landings with "Landing Ice" should be evaluated on an opportunity basis.

6.19.2 The results of the steady heading sideslip tests with "Landing Ice" may be used to establish the safe cross wind component. If the flight test data show that the maximum sideslip angle demonstrated is similar to that demonstrated with the non-contaminated aeroplane, and the flight characteristics (e.g. control forces and deflections) are similar, then the non-contaminated aeroplane crosswind component is considered valid.

6.19.3 If the results of the comparison discussed in paragraph 6.19.2, above, are not clearly similar, and in the absence of a more rational analysis, a conservative analysis based on the results of the

CS-25 BOOK 2

steady heading sideslip tests may be used to establish the safe crosswind component. The crosswind value may be estimated from:

$$V_{CW} = V_{REF} \cdot \sin(\text{sideslip angle}) / 1.5$$

Where:

V_{CW} is the crosswind component,
 V_{REF} is the landing reference speed appropriate to a minimum landing weight, and *sideslip angle* is that demonstrated at V_{REF} (see paragraph 6.15 of this AMC).

6.20 *Vibration and Buffeting (CS 25.251).*

6.20.1 Qualitative evaluations should be combined with the other testing, including speeds up to the maximum speed obtained in the longitudinal stability tests (see paragraph 6.14 of this AMC).

6.20.2 It is also necessary to demonstrate that the aeroplane is free from harmful vibration due to residual ice accumulation. This may be done in conjunction with the natural icing tests.

6.20.3 An aeroplane with pneumatic de-icing boots should be evaluated to V_{DF}/M_{DF} with the de-icing boots operating and not operating. It is not necessary to do this demonstration with ice accretion.

6.21 *Natural Icing Conditions.*

6.21.1 *General.*

6.21.1.1 Whether the flight testing has been performed with artificial ice shapes or in natural icing conditions, additional limited flight testing described in this section should be conducted in natural icing conditions. Where flight testing with artificial ice shapes is the primary means for showing compliance, the objective of the tests described in this section is to corroborate the handling characteristics and performance results obtained in flight testing with artificial ice shapes.

6.21.1.2 It is acceptable for some ice to be shed during the testing due to air loads or wing flexure, etc. However, an attempt should be made to accomplish the test manoeuvres as soon as possible after exiting the icing cloud to minimise the atmospheric influences on ice shedding.

6.21.1.3 During any of the manoeuvres specified in paragraph 6.21.2, below, the behaviour of the aeroplane should be consistent with that obtained with artificial ice shapes. There should be no unusual control responses or uncommanded aeroplane motions. Additionally, during the level turns and bank-to-bank rolls, there should be no buffeting or stall warning.

6.21.2 *Ice Accretion/Manoeuvres.*

6.21.2.1 *Holding scenario.*

a. The manoeuvres specified in Table 3, below, should be carried out with the following ice accretions representative of normal operation of the ice protection system:

i. *On unprotected Parts:* A thickness of 75 mm (3 inches) on those parts of the aerofoil where the collection efficiency is highest should be the objective. (A thickness of 50 mm (2 inches) is normally a minimum value, unless a lesser value is agreed by the Authority.)

ii. *On protected parts:* The ice accretion thickness should be that resulting from normal operation of the ice protection system.

b. For aeroplanes with control surfaces that may be susceptible to jamming due to ice accretion (e.g. elevator horns exposed to the air flow), the holding speed that is critical with respect to this ice

CS-25 BOOK 2

accretion should be used.

TABLE 3: Holding Scenario – Manoeuvres

Configuration	c.g.	Trim speed	Manoeuvre
Flaps up, gear up	Optional (aft range)	Holding, except 1.3 V_{SR} for the stall manoeuvre	<ul style="list-style-type: none"> Level, 40° banked turn, Bank-to-bank rapid roll, 30° - 30°, Speedbrake extension, retraction, Full straight stall (1 knot/second deceleration rate, wings level, power off).
Flaps in intermediate positions, gear up	Optional (aft range)	1.3 V_{SR}	Deceleration to the speed reached 3 seconds after activation of stall warning in a 1 knot/second deceleration.
Landing flaps, gear down	Optional (aft range)	V_{REF}	<ul style="list-style-type: none"> Level, 40° banked turn, Bank-to-bank rapid roll, 30° - 30°, Speedbrake extension, retraction (if approved), Full straight stall (1 knot/second deceleration rate, wings level, power off).

6.21.2.2 *Approach/Landing Scenario*. The manoeuvres specified in Table 4, below, should be carried out with successive accretions in different configurations on unprotected surfaces. Each test condition should be accomplished with the ice accretion that exists at that point. The final ice accretion (Test Condition 3) represents the sum of the amounts that would accrete during a normal descent from holding to landing in icing conditions.

TABLE 4: Approach/Landing Scenario - Manoeuvres

Test Condition	Ice accretion thickness (*)	Configuration	c.g.	Trim speed	Manoeuvre
–	First 13 mm (0.5 in.)	Flaps up, gear up	Optional (aft range)	Holding	No specific test
1	Additional 6.3 mm (0.25 in.) (19 mm (0.75 in.) total)	First intermediate flaps, gear up	Optional (aft range)	Holding	<ul style="list-style-type: none"> Level 40° banked turn, Bank-to-bank rapid roll, 30° - 30°, Speed brake extension and retraction (if approved), Deceleration to stall warning.
2	Additional 6.3 mm (0.25 in.) (25 mm (1.00 in.) total)	Further intermediate flaps, gear up (as applicable)	Optional (aft range)	1.3 V_{SR}	<ul style="list-style-type: none"> Bank-to-bank rapid roll, 30° - 30°, Speed brake extension and retraction (if approved), Deceleration to stall warning.
3	Additional 6.3 mm (0.25 in.) (31 mm (1.25 in.) total)	Landing flaps, gear down	Optional (aft range)	V_{REF}	<ul style="list-style-type: none"> Bank-to-bank rapid roll, 30° - 30°, Speed brake extension and retraction (if approved), Bank to 40°, Full straight stall.

(*) The indicated thickness is that obtained on the parts of the unprotected aerofoil with the highest collection efficiency.

CS-25 BOOK 2

6.21.3 For aeroplanes with unpowered elevator controls, in the absence of an agreed substantiation of the criticality of the artificial ice shape used to demonstrate compliance with the controllability requirement, the pushover test of paragraph 6.9.3 should be repeated with a thin accretion of natural ice.

6.21.4 Existing propeller speed limits or, if required, revised propeller speed limits for flight in icing, should be verified by flight tests in natural icing conditions.

6.22 *Failure Conditions (CS 25.1309).*

6.22.1 For failure conditions which are annunciated to the flight crew, credit may be taken for the established operating procedures following the failure.

6.22.2 *Acceptable Test Programme.* In addition to a general qualitative evaluation, the following test programme (modified as necessary to reflect the specific operating procedures) should be carried out for the most critical probable failure condition where the associated procedure requires the aeroplane to exit the icing condition:

- a. The ice accretion is defined as a combination of the following:
 - i. On the unprotected surfaces - the "Holding ice" accretion described in paragraph A1.2.1 of this AMC;
 - ii. On the normally protected surfaces that are no longer protected - the "Failure ice" accretion described in paragraph A1.3.2 of this AC; and
 - iii. On the normally protected surfaces that are still functioning following the segmental failure of a cyclical de-ice system – the ice accretion that will form during the rest time of the de-ice system following the critical failure condition.
- b. Medium to light weight, aft centre of gravity position, symmetric fuel loading.
- c. In the configurations listed below, trim the aeroplane at the specified speed. Conduct 30° banked turns left and right with normal reversals. Conduct pull up to 1.5g and pushover to 0.5g.
 - i. High lift devices retracted configuration (or holding configuration if different): Holding speed, power or thrust for level flight. In addition, deploy and retract deceleration devices.
 - ii. Approach configuration: Approach speed, power or thrust for level flight.
 - iii. Landing configuration: Landing speed, power or thrust for landing approach (limit pull up to 1.3g). In addition, conduct steady heading sideslips to angle of sideslip appropriate to type and landing procedure.
- d. In the configurations listed below, trim the aeroplane at estimated $1.3 V_{SR}$. Decrease speed to stall warning plus 1 second, and demonstrate prompt recovery using the same test technique as for the non-contaminated aeroplane. Natural stall warning is acceptable for the failure case.
 - i. High lift devices retracted configuration: Straight/Power Off.
 - ii. Landing configuration: Straight/Power Off.
- e. Conduct an approach and go-around with all engines operating using the recommended procedure.
- f. Conduct an approach and landing with all engines operating (unless the one-engine-inoperative condition results in a more critical probable failure condition) using the recommended procedure.

CS-25 BOOK 2

6.22.3 For improbable failure conditions, flight test may be required to demonstrate that the effect on safety of flight (as measured by degradation in flight characteristics) is commensurate with the failure probability or to verify the results of analyses and/or wind tunnel tests. The extent of any required flight test should be similar to that described in paragraph 6.22.2, above, or as agreed with the Authority for the specific failure condition.

[Amdt No: 25/6]

[Amdt No: 25/13]

CS-25 BOOK 2

Appendix 1 - Airframe Ice Accretion

A1.1 *General.*

The most critical ice accretion in terms of handling characteristics and/or performance for each flight phase should be determined. The parameters to be considered include:

- the flight conditions (e.g. aeroplane configuration, speed, angle of attack, altitude) and
- the icing conditions of Appendix C to CS-25 (e.g. temperature, liquid water content, mean effective drop diameter).

A1.2 *Operative Ice Protection System.*

A1.2.1 All flight phases except take-off.

A1.2.1.1 For unprotected parts, the ice accretion to be considered should be determined in accordance with CS 25.1419.

A1.2.1.2 Unprotected parts consist of the unprotected aerofoil leading edges and all unprotected airframe parts on which ice may accrete. The effect of ice accretion on protuberances such as antennae or flap hinge fairings need not normally be investigated. However aeroplanes that are characterised by unusual unprotected airframe protuberances, e.g. fixed landing gear, large engine pylons, or exposed control surface horns or winglets, etc., may experience significant additional effects, which should therefore be taken into consideration.

A1.2.1.3 For holding ice, the applicant should determine the effect of a 45-minute hold in continuous maximum icing conditions. The analysis should assume that the aeroplane remains in a rectangular "race track" pattern, with all turns being made within the icing cloud. Therefore, no horizontal extent correction should be used for this analysis. For some previous aeroplane certification programs, the maximum pinnacle height was limited to 75 mm (3 inches). This method of compliance may continue to be accepted for follow-on products if service experience has been satisfactory, and the designs are similar enough to conclude that the previous experience is applicable. The applicant should substantiate the critical mean effective drop diameter, liquid water content, and temperature that result in the formation of an ice accretion that is critical to the aeroplane's performance and handling qualities. The shape and texture of the ice are important and should be agreed with the Authority.

A1.2.1.4 For protected parts, the ice protection systems are normally assumed to be operative. However, the applicant should consider the effect of ice accretion on the protected surfaces that result from:

- a. The rest time of a de-icing cycle. Performance may be established on the basis of a representative intercycle ice accretion for normal operation of the de-icing system (consideration should also be given to the effects of any residual ice accretion that is not shed.) The average drag increment determined over the de-icing cycle may be used for performance calculations.
- b. Runback ice which occurs on or downstream of the protected surface.
- c. Ice accretion prior to normal operation of the ice protection system (see paragraph A1.2.3, below).

A1.2.2 Take-off phase.

A1.2.2.1 For both unprotected and protected parts, the ice accretion identified in Appendix C to CS-25 for the take-off phase may be determined by calculation, assuming that the Takeoff Maximum icing conditions defined in Appendix C exist, and:

CS-25 BOOK 2

- aerofoils, control surfaces and, if applicable, propellers are free from frost, snow, or ice at the start of the take-off;
- the ice accretion starts at lift-off;
- the critical ratio of thrust/power-to-weight;
- failure of the critical engine occurs at V_{EF} ; and
- flight crew activation of the ice protection system in accordance with an AFM procedure, except that after commencement of the take-off roll no flight crew action to activate the ice protection system should be assumed to occur until the aeroplane is 122 m (400 ft) above the take-off surface.

A1.2.2.2 The ice accretions identified in Appendix C to CS-25 for the take-off phase are:

- "Take-off ice": The most critical ice accretion between lift-off and 122 m (400 ft) above the takeoff surface, assuming accretion starts at lift-off in the icing environment.
- "Final Take-off ice": The most critical ice accretion between 122 m (400 ft) and 457 m (1500 ft) above the take-off surface, assuming accretion starts at lift-off in the icing environment.

A1.2.3 Ice accretion prior to normal system operation.

A1.2.3.1 Ice protection systems are normally operated as anti-icing systems (i.e. designed to prevent ice accretion on the protected surface) or de-icing systems (i.e. designed to remove ice from the protected surface). In some cases, systems may be operated as anti-icing or de-icing systems depending on the phase of flight. Operation of ice protection systems can also include a resetting of stall warning and/or stall identification system (e.g. stick pusher) activation thresholds.

A1.2.3.2 The aeroplane Flight Manual contains the operating limitations and operating procedures established by the applicant. Since ice protection systems are normally only operated when icing conditions are encountered or when airframe ice is detected, means of flight crew determination of icing conditions and/or airframe ice should be considered in determining the ice accretion prior to normal system operation. This includes the ice accretion appropriate to the specified means of identification of icing conditions and an additional ice accretion, represented by a time in the Continuous Maximum icing conditions of Appendix C. This additional ice accretion is to account for flight crew delay in either identifying the conditions and activating the ice protection systems (see paragraphs A1.2.3.3(a), (b) and (c) below), or activating the ice protection system following indication from an ice detection system (see paragraph A1.2.3.3 (d) below). In addition the system response time should be considered. System response time is defined as the time interval between activation of the ice protection system and the performance of its intended function (e.g. for a thermal ice protection system, the time to heat the surface and remove the ice).

A1.2.3.3 An ice detection system may be installed that will provide information either to the flight crew or directly to the ice protection system regarding in-flight icing conditions or ice accretions. There are basically two classes of ice detection systems:

A. A primary ice detection system, when used in conjunction with approved AFM procedures, can be relied upon as the sole means of detecting ice accretion or icing conditions. The ice protection system may be automatically activated by the primary ice detection system, or it may be manually activated by the flight crew following an annunciation from the primary ice detection system.

B. advisory ice detection system provides an advisory annunciation of the presence of ice accretion or icing conditions, but is not relied on as the sole, or primary, means of detection. The flight crew is responsible for monitoring the icing conditions using a primary method as directed in the AFM. The advisory ice detection system provides information to advise the cockpit crew of the presence of ice accretion or icing conditions, but it can only be used in conjunction with other primary methods to determine the need for operating the ice protection system.

CS-25 BOOK 2

A1.2.3.4 The following examples indicate the ice accretion to be considered on the unprotected and normally protected aerodynamic surfaces:

a. If activation of normal operation of any ice protection system is dependent on visual recognition of a specified ice accretion on a reference surface (e.g. ice accretion probe, wing leading edge), the ice accretion should not be less than that corresponding to the ice accretion on the reference surface taking into account probable flight crew delays in recognition of the specified ice accretion and operation of the system, determined as follows:

- i. the specified accretion, plus
- ii. the ice accretion equivalent to thirty seconds of operation in the Continuous Maximum icing conditions of Appendix C, Part I(a), plus
- iii. the ice accretion during the system response time.

b. If activation of normal operation of any ice protection system is dependent on visual recognition of the first indication of ice accretion on a reference surface (e.g. ice accretion probe), the ice accretion should not be less than that corresponding to the ice accretion on the reference surface taking into account probable flight crew delays in recognition of the ice accreted and operation of the system, determined as follows:

- i. the ice accretion corresponding to first indication on the reference surface, plus
- ii. the ice accretion equivalent to thirty seconds of operation in the Continuous Maximum icing conditions of Appendix C, Part I(a), plus
- iii. the ice accretion during the system response time.

c. If activation of normal operation of any ice protection system is dependent upon pilot identification of icing conditions (as defined by an appropriate static or total air temperature and visible moisture conditions), the ice accretion should not be less than that corresponding to the ice accreted during probable crew delays in recognition of icing conditions and operation of the system, determined as follows:

- i. the ice accretion equivalent to thirty seconds of operation in the Continuous Maximum icing conditions of Appendix C, Part I(a), plus
- ii. the ice accretion during the system response time.

d. If activation of normal operation of any ice protection system is dependent on pilot action following an annunciation from a primary ice detection system, the ice accretion should not be less than that corresponding to the ice accreted prior to annunciation from the ice detection system, plus that accreted due to probable flight crew delays in activating the ice protection system and operation of the system, determined as follows:

- i. the ice accretion corresponding to the time between entry into the icing conditions and indication from the ice detection system, plus
- ii. the ice accretion equivalent to ten seconds of operation in the Continuous Maximum icing conditions of Appendix C, Part I(a), plus
- iii. the ice accretion during the system response time.

e. If activation of normal operation of any ice protection system is automatic following an annunciation from a primary ice detection system, the ice accretion should not be less than that corresponding to the ice accreted prior to annunciation from the ice protection system and operation of the system, determined as follows:

CS-25 BOOK 2

i. the ice accretion on the protected surfaces corresponding to the time between entry into the icing conditions and activation of the system, plus

ii. the ice accretion during the system response time.

f. If the airplane is equipped with an advisory ice detection system that supplements the means of detection referenced in paragraphs (a) through (c) above, the ice accretions should continue to be determined as specified in paragraph (a), (b), or (c) above, as appropriate for the primary means of detecting icing conditions specified in the AFM procedures.

A1.3 Ice Protection System Failure Cases.

A1.3.1 Unprotected parts. The same accretion as in paragraph A1.2.1 is applicable.

A1.3.2 Protected parts following system failure. "Failure Ice" is defined as follows:

A1.3.2.1 In the case where the failure condition is not annunciated, the ice accretion on normally protected parts where the ice protection system has failed should be the same as the accretion specified for unprotected parts.

A1.3.2.2 In the case where the failure condition is annunciated and the associated procedure does not require the aeroplane to exit icing conditions, the ice accretion on normally protected parts where the ice protection system has failed should be the same as the accretion specified for unprotected parts.

A1.3.2.3 In the case where the failure condition is annunciated and the associated procedure requires the aeroplane to exit icing conditions as soon as possible, the ice accretion on normally protected parts where the ice protection has failed, should be taken as one-half of the accretion specified for unprotected parts unless another value is agreed by the Authority.

CS-25 BOOK 2

Appendix 2 - Artificial Ice Shapes

A2.1 *General.*

A2.1.1 The artificial ice shapes used for flight testing should be those which have the most adverse effects on handling characteristics. If analytical data show that other reasonably expected ice shapes could be generated which could produce higher performance decrements, then the ice shape having the most adverse effect on handling characteristics may be used for performance tests provided that any difference in performance can be conservatively taken into account.

A2.1.2 The artificial shapes should be representative of natural icing conditions in terms of location, general shape, thickness and texture. Following determination of the form and surface texture of the ice shape under paragraph A2.2, a surface roughness for the shape should be agreed with the Authority as being representative of natural ice accretion.

A2.1.3 "Sandpaper Ice" is addressed in paragraph A2.3.

A2.2 *Shape and Texture of Artificial Ice.*

A2.2.1 The shape and texture of the artificial ice should be established and substantiated by agreed methods. Common practices include:

- use of computer codes,
- flight in measured natural icing conditions,
- icing wind tunnel tests, and
- flight in a controlled simulated icing cloud (e.g. from an icing tanker).

A2.2.2 In absence of another agreed definition of texture the following may be used:

- roughness height: 3 mm
- particle density: 8 to 10/cm²

A2.3 *"Sandpaper Ice."*

A2.3.1 "Sandpaper Ice" is the most critical thin, rough layer of ice. Any representation of "Sandpaper Ice" (e.g. carborundum paper no. 40) should be agreed by the Authority.

A2.3.2 The spanwise and chordwise coverage should be consistent with the areas of ice accretion determined for the conditions of CS-25, Appendix C except that, for the zero g pushover manoeuvre of paragraph 6.9.3 of this AMC, the "Sandpaper Ice" may be restricted to the horizontal stabiliser if this can be shown to be conservative.

CS-25 BOOK 2

Appendix 3 - Design Features

A3.1 *Aeroplane Configuration and Ancestry.* An important design feature of an overall aeroplane configuration that can affect performance, controllability and manoeuvrability is its size. In addition, the safety record of the aeroplane's closely-related ancestors may be taken into consideration.

A3.1.1 *Size.* The size of an aeroplane determines the sensitivity of its flight characteristics to ice thickness and roughness. The relative effect of a given ice height (or ice roughness height) decreases as aeroplane size increases.

A3.1.2 *Ancestors.* If a closely related ancestor aeroplane was certified for flight in icing conditions, its safety record may be used to evaluate its general arrangement and systems integration.

A3.2 *Wing.* Design features of a wing that can affect performance, controllability, and manoeuvrability include aerofoil type, leading edge devices and stall protection devices.

A3.2.1 *Aerofoil.* Aerofoils with significant natural laminar flow when non-contaminated may show large changes in lift and drag with ice. Conventional aerofoils operating at high Reynolds numbers make the transition to turbulent flow near the leading edge when non-contaminated, thus reducing the adverse effects of the ice.

A3.2.2 *Leading Edge Device.* The presence of a leading edge device (such as a slat) reduces the percentage decrease in C_{LMAX} due to ice by increasing the overall level of C_L . Gapping the slat may improve the situation further. Leading edge devices can also reduce the loss in angle of attack at stall due to ice.

A3.2.3 *Stall Protection Device.* An aeroplane with an automatic slat-gapping device may generate a greater C_{LMAX} with ice than the certified C_{LMAX} with the slat sealed and a non-contaminated leading edge. This may provide effective protection against degradation in stall performance or characteristics.

A3.2.4 *Lateral Control.* The effectiveness of the lateral control system in icing conditions can be evaluated by comparison with closely related ancestor aeroplanes.

A3.3 *Empennage.* The effects of size and aerofoil type also apply to the horizontal and vertical tails. Other design features include tailplane sizing philosophy, aerofoil design, trimmable stabiliser, and control surface actuation. Since tails are usually not equipped with leading edge devices, the effects of ice on tail aerodynamics are similar to those on a wing with no leading edge devices. However, these effects usually result in changes to aeroplane handling and/or control characteristics rather than degraded performance.

A3.3.1 *Tail Sizing.* The effect on aeroplane handling characteristics depends on the tailplane design philosophy. The tailplane may be designed and sized to provide full functionality in icing conditions without ice protection, or it may be designed with a de-icing or anti-icing system.

A3.3.2 *Horizontal Stabiliser Design.* Cambered aerofoils and trimmable stabilisers may reduce the susceptibility and consequences of elevator hinge moment reversal due to ice-induced tailplane stall.

A3.3.3 *Control Surface Actuation.* Hydraulically powered irreversible elevator controls are not affected by ice-induced aerodynamic hinge moment reversal.

A3.3.4 *Control Surface Size.* For mechanical elevator controls, the size of the surface significantly affects the control force due to an ice-induced aerodynamic hinge moment reversal. Small surfaces are less susceptible to control difficulties for given hinge moment coefficients.

A3.3.5 *Vertical Stabiliser Design.* The effectiveness of the vertical stabiliser in icing conditions can be evaluated by comparison with closely-related ancestor aeroplanes.

CS-25 BOOK 2

A3.4 Aerodynamic Balancing of Flight Control Surfaces. The aerodynamic balance of unpowered or boosted reversible flight control surfaces is an important design feature to consider. The design should be carefully evaluated to account for the effects of ice accretion on flight control system hinge moment characteristics. Closely balanced controls may be vulnerable to overbalance in icing. The effect of ice in front of the control surface, or on the surface, may upset the balance of hinge moments leading to either increased positive force gradients or negative force gradients.

A3.4.1 This feature is particularly important with respect to lateral flight control systems when large aileron hinge moments are balanced by equally large hinge moments on the opposite aileron. Any asymmetric disturbance in flow which affects this critical balance can lead to a sudden uncommanded deflection of the control. This auto deflection, in extreme cases, may be to the control stops.

A3.5 Ice Protection/Detection System. The ice protection/detection system design philosophy may include design features that reduce the ice accretion on the wing and/or tailplane.

A3.5.1 Wing Ice Protection/Detection. An ice detection system that activates a wing de-icing system may ensure that there is no significant ice accretion on wings that are susceptible to performance losses with small amounts of ice.

A3.5.1.1 If the entire wing leading edge is not protected, the part that is protected may be selected to provide good handling characteristics at stall, with an acceptable performance degradation.

A3.5.2 Tail Ice Protection/Detection. An ice detection system may activate a tailplane de-icing system on aeroplanes that do not have visible cues for system operation.

A3.5.2.1 An ice protection system on the unshielded aerodynamic balances of aeroplanes with unpowered reversible controls can reduce the risk of ice-induced aerodynamic hinge moment reversal.

[Amdt. No.: 25/3]

AMC 25.101

General

The test aeroplane used in the determination of the scheduled performance should be in a condition which, as far as is reasonably possible, is representative of the average new production aeroplane. Where the test aeroplane differs from this standard (e.g. with regard to engine idle thrust settings, flap rigging, etc.) it will be necessary to correct the measured performance for any significant performance effects of such differences.

AMC No. 1 to CS 25.101(c)

Extrapolation of Performance with Weight

The variation of take-off, climb and landing performance with weight may be extrapolated without conservatism to a weight greater, by up to 10%, than the maximum weight tested and to a weight lower, by up to 10%, than the lowest weight tested. These ranges may not be applicable if there are significant discontinuities, or unusual variations, in the scheduling of the relevant speeds with weight, in the weight ranges covered by extrapolation.

AMC No. 2 to CS 25.101(c)

General

1 GENERAL - CS 25.101

1.1 Explanation - Propulsion System Behaviour. CS 25.101(c) requires that aeroplane "performance must correspond to the propulsive thrust available under the particular ambient atmospheric conditions, the particular flight condition, . . ." The propulsion system's (i.e., turbine engines and propellers, where appropriate) installed performance characteristics are primarily a function of engine

CS-25 BOOK 2

power setting, airspeed, propeller efficiency (where applicable), altitude, and ambient temperature. The effects of each of these variables must be determined in order to establish the thrust available for aeroplane performance calculations.

1.2 Procedures.

1.2.1 The intent is to develop a model of propulsion system performance that covers the approved flight envelope. Furthermore, it should be shown that the combination of the propulsion system performance model and the aeroplane performance model are validated by the takeoff performance test data, climb performance tests, and tests used to determine aeroplane drag. Installed propulsion system performance characteristics may be established via the following tests and analyses:

a. Steady-state engine power setting vs. thrust (or power) testing. Engines should be equipped with adequate instrumentation to allow the determination of thrust (or power). Data should be acquired in order to validate the model, including propeller installed thrust, if applicable, over the range of power settings, altitudes, temperatures, and airspeeds for which approval is sought. Although it is not possible to definitively list or foresee all of the types of instrumentation that might be considered adequate for determining thrust (or power) output, two examples used in past certification programmes are: (1) engine pressure rakes, with engines calibrated in a ground test cell, and (2) fan speed, with engines calibrated in a ground test cell and the calibration data validated by the use of a flying test bed. In any case, the applicant should substantiate the adequacy of the instrumentation to be used for determining the thrust (or power) output.

b. Lapse rate takeoff testing to characterise the behaviour of power setting, rotor speeds, propeller effects (i.e., torque, RPM, and blade angle), or gas temperature as a function of time, thermal state, or airspeed, as appropriate. These tests should include the operation of an Automatic Takeoff Thrust Control System (ATTCS), if applicable, and should cover the range of power settings for which approval is sought.

i. Data for higher altitude power settings may be acquired via overboost (i.e., operating at a higher than normal power setting for the conditions) with the consent of the engine and propeller (when applicable) manufacturer(s). When considering the use of overboost on turbopropeller propulsion system installations to simulate higher altitude and ambient temperature range conditions, the capability to achieve an appropriate simulation should be evaluated based on the engine and propeller control system(s) and aircraft performance and structural considerations. Engine (gearbox) torque, rotor speed, or gas temperature limits, including protection devices to prohibit or limit exceedences, may prevent the required amount of overboost needed for performance at the maximum airport altitude sought for approval. Overboost may be considered as increased torque, reduced propeller speed, or a combination of both in order to achieve the appropriate blade angle for the higher altitude and ambient temperature range simulation. Consideration for extrapolations will depend on the applicant's substantiation of the proper turbopropeller propulsion system simulated test conditions.

ii. Lapse rate characteristics should be validated by takeoff demonstrations at the maximum airport altitude for which takeoff approval is being sought. Alternatively, if overboost (see paragraph (i) above) is used to simulate the thrust setting parameters of the maximum airport altitude for which takeoff approval is sought, the takeoff demonstrations of lapse rate characteristics can be performed at an airport altitude up to 915 m (3,000 feet) lower than the maximum airport altitude.

c. Thrust calculation substantiation. Installed thrust should be calculated via a mathematical model of the propulsion system, or other appropriate means, adjusted as necessary to match the measured inflight performance characteristics of the installed propulsion system. The propulsion system mathematical model should define the relationship of thrust to the power setting parameter over the range of power setting, airspeed, altitude, and temperature for which approval is sought. For turbojet aeroplanes, the propulsion system mathematical model should be substantiated by ground tests in which thrust is directly measured via a calibrated load cell or equivalent means. For turbopropeller aeroplanes, the engine power measurements should be substantiated by a calibrated dynamometer or equivalent means, the engine jet thrust should be established by an acceptable engine model, and the

CS-25 BOOK 2

propeller thrust and power characteristics should be substantiated by wind tunnel testing or equivalent means.

d. Effects of ambient temperature. The flight tests of paragraph 1.2.1.a. above will typically provide data over a broad range of ambient temperatures. Additional data may also be obtained from other flight or ground tests of the same type or series of engine. The objective is to confirm that the propulsion system model accurately reflects the effects of temperature over the range of ambient temperatures for which approval is being sought (operating envelope). Because thrust (or power) data can usually be normalised versus temperature using either dimensionless variables (e.g., theta exponents) or a thermodynamic cycle model, it is usually unnecessary to obtain data over the entire ambient temperature range. There is no need to conduct additional testing if:

i. The data show that the behaviour of thrust and limiting parameters versus ambient temperature can be predicted accurately; and

ii. Analysis based upon the test data shows that the propulsion system will operate at rated thrust without exceeding propulsion system limits.

1.2.2 Extrapolation of propulsion system performance data to 915 m (3,000 feet) above the highest airport altitude tested (up to the maximum takeoff airport altitude to be approved) is acceptable, provided the supporting data, including flight test and propulsion system operations data (e.g., engine and propeller control, limits exceedance, and surge protection devices scheduling), substantiates the proposed extrapolation procedures. Considerations for extrapolation depend upon an applicant's determination, understanding, and substantiation of the critical operating modes of the propulsion system. This understanding includes a determination and quantification of the effects that propulsion system installation and variations in ambient conditions have on these modes.

2 Expansion of Takeoff and Landing Data for a Range of Airport Elevations.

2.1 These guidelines are applicable to expanding aeroplane Flight Manual takeoff and landing data above and below the altitude at which the aeroplane takeoff and landing performance tests are conducted.

2.2 With installed propulsion system performance characteristics that have been adequately defined and verified, aeroplane takeoff and landing performance data obtained at one field elevation may be extrapolated to higher and lower altitudes within the limits of the operating envelope without applying additional performance conservatism. It should be noted, however, that extrapolation of the propulsion system data used in the determination and validation of propulsion system performance characteristics is typically limited to 915 m (3,000 feet) above the highest altitude at which propulsion system parameters were evaluated for the pertinent power/thrust setting. (See paragraph 1 of this AMC for more information on an acceptable means of establishing and verifying installed propulsion system performance characteristics.)

2.3 Note that certification testing for operation at airports that are above 2438 m (8,000 feet) should also include functional tests of the cabin pressurisation system. Consideration should be given to any other systems whose operation may be sensitive to, or dependent upon airport altitude, such as: engine and APU starting, passenger oxygen, autopilot, autoland, autothrottle system thrust set/operation."

AMC 25.101(g) **Go-around**

In showing compliance with CS 25.101(g), it should be shown at the landing weight, altitude and temperature (WAT) limit, by test or calculation, that a safe go-around can be made from the minimum decision height with:

— the critical engine inoperative and, where applicable, the propeller feathered,

CS-25 BOOK 2

- a configuration and a speed initially set for landing and then in accordance with the go-around procedures, using actual time delays and, except for movements of the primary flying controls, not less than 1 second between successive crew actions,
- the power available,
- the landing gear selection to the 'up' position being made after a steady positive rate of climb is achieved.

It should be noted that for Category 3 operation, the system will ensure the aircraft is over the runway, so any go-around will be safe with the aircraft rolling on the runway during the manoeuvre. Hence, AMC 25.101 (g) is only relevant to or necessary for decision heights down to Category 2 operations.

[Amdt No: 25/13]

AMC 25.101(h)(3) General

CS 25.109(a) and (b) require the accelerate-stop distance to include a distance equivalent to 2 seconds at V_1 in addition to the demonstrated distance to accelerate to V_1 and then bring the aeroplane to a full stop. This additional distance is not intended to allow extra time for making a decision to stop as the aeroplane passes through V_1 , but is to account for operational variability in the time it takes pilots to accomplish the actions necessary to bring the aeroplane to a stop. It allows for the typical requirement for up to three pilot actions (i.e. brakes – throttles – spoilers) without introducing additional time delays to those demonstrated. If the procedures require more than three pilot actions, an allowance for time delays must be made in the scheduled accelerate-stop distance. These delays, which are applied in addition to the demonstrated delays, are to be 1 second (or 2 seconds if a command to another crew member to take the action is required) for each action beyond the third action. This is illustrated in Figure 1.

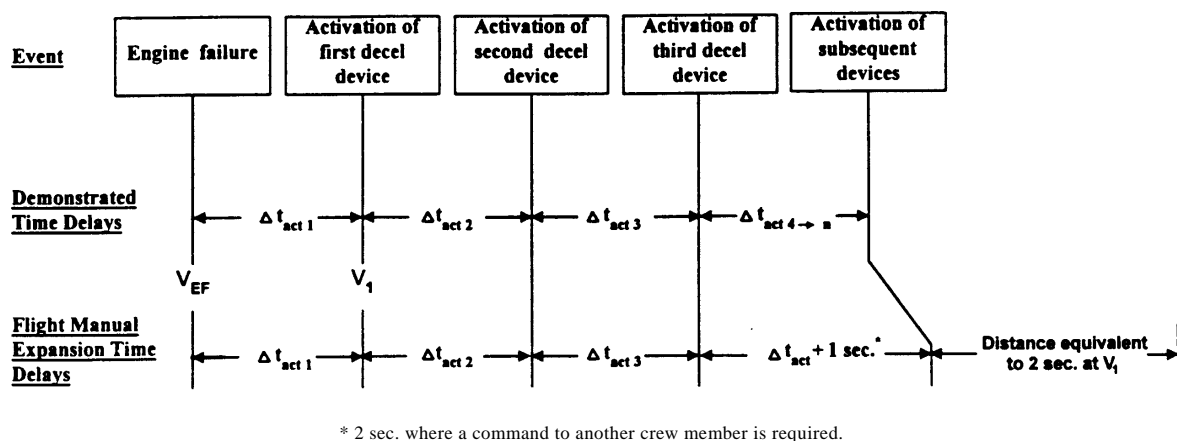


FIGURE 1. ACCELERATE-STOP TIME DELAYS

where:—

V_{EF} is the calibrated airspeed selected by the applicant at which the critical engine is assumed to fail. The relationship between V_{EF} and V_1 is defined in CS 25.107.

$\Delta t_{act 1}$ = the demonstrated time interval between engine failure and activation of the first deceleration device. This time interval is defined as beginning at the instant the critical engine is failed and ending when the pilot recognises and reacts to the engine failure, as indicated by the pilot's application of the first retarding means during accelerate-stop tests. A sufficient number of demonstrations should be conducted using both applicant and Agency test pilots to assure that the time increment is representative and repeatable. The pilot's feet should be on the rudder pedals, not the brakes, during the tests. For AFM data expansion purposes, in order to provide a recognition time increment that can be executed consistently in service, this time increment should be equal to the demonstrated time or 1

CS-25 BOOK 2

second, whichever is greater. If the aeroplane incorporates an engine failure warning light, the recognition time includes the time increment necessary for the engine to spool down to the point of warning light activation, plus the time increment from light 'on' to pilot action indicating recognition of the engine failure.

$\Delta t_{act 2}$ = the demonstrated time interval between activation of the first and second deceleration devices.

$\Delta t_{act 3}$ = the demonstrated time interval between activation of the second and third deceleration devices.

$\Delta t_{act 4 \rightarrow n}$ = the demonstrated time interval between activation of the third and fourth (and any subsequent) deceleration devices. For AFM expansion, a 1-second reaction time delay to account for in-service variations should be added to the demonstrated activation time interval between the third and fourth (and any subsequent) deceleration devices. If a command is required for another crew member to actuate a deceleration device, a 2-second delay, in lieu of the 1-second delay, should be applied for each action. For automatic deceleration devices that are approved for performance credit for AFM data expansion, established systems actuation times determined during certification testing may be used without the application of the additional time delays required by this paragraph.

AMC 25.101(i)

Performance determination with worn brakes

It is not necessary for all the performance testing on the aircraft to be conducted with fully worn brakes. Sufficient data should be available from aircraft or dynamometer rig tests covering the range of wear and energy levels to enable correction of the flight test results to the 100% worn level. The only aircraft test that should be carried out at a specific brake wear state is the maximum kinetic energy rejected take-off test of CS 25.109(i), for which all brakes should have not more than 10% of the allowable brake wear remaining.

AMC 25.103(b)

Stalling Speed

The airplane should be trimmed for hands-off flight at a speed 13 percent to 30 percent above the anticipated V_{SR} with the engines at idle and the airplane in the configuration for which the stall speed is being determined. Then, using only the primary longitudinal control for speed reduction, a constant deceleration (entry rate) is maintained until the airplane is stalled, as defined in CS 25.201(d). Following the stall, engine thrust may be used as desired to expedite the recovery.

The analysis to determine V_{CLMAX} should disregard any transient or dynamic increases in recorded load factor, such as might be generated by abrupt control inputs, which do not reflect the lift capability of the aeroplane. The load factor normal to the flight path should be nominally 1.0 until V_{CLMAX} is reached.

AMC 25.103(c)

Stall Speed

The stall entry rate is defined as the mean rate of speed reduction (in m/s^2 (knots CAS/second)) in the deceleration to the stall in the particular stall demonstration, from a speed 10% above that stall speed, i.e.

$$\text{Entry Rate} = \frac{1.1 V_{CLMAX} - 1.0 V_{CLMAX}}{\text{Time to decelerate from } 1.1 V_{CLMAX} \text{ to } V_{CLMAX}} \quad (\text{m/s}^2 \text{ (knots CAS/sec)})$$

AMC 25.103(d)

Stall Speed

CS-25 BOOK 2

In the case where a device that abruptly pushes the nose down at a selected angle of attack (e.g. a stick pusher) operates after C_{LMAX} , the speed at which the device operates, stated in CS 25.103(d), need not be corrected to 1g.

Test procedures should be in accordance with AMC 25.103(b) to ensure that no abnormal or unusual pilot control input is used to obtain an artificially low device activation speed.

AMC 25.107(d) Take-off Speeds

1 If cases are encountered where it is not possible to obtain the actual V_{MU} at forward centre of gravity with aeroplanes having limited elevator power (including those aeroplanes which have limited elevator power only over a portion of the take-off weight range), it will be permissible to test with a more aft centre of gravity and/or more than normal nose-up trim to obtain V_{MU} .

1.1 When V_{MU} is obtained in this manner, the values should be corrected to those which would have been attained at forward centre of gravity if sufficient elevator power had been available. The variation of V_{MU} with centre of gravity may be assumed to be the same as the variation of stalling speed in free air with centre of gravity for this correction.

1.2 In such cases where V_{MU} has been measured with a more aft centre of gravity and/or with more than normal nose-up trim, the V_R selected should (in addition to complying with the requirements of CS 25.107(e)) be greater by an adequate margin than the lowest speed at which the nose wheel can be raised from the runway with centre of gravity at its most critical position and with the trim set to the normal take-off setting for the weight and centre of gravity.

NOTE: A margin of 9,3 km/h (5 kt) between the lowest nose-wheel raising speed and V_R would normally be considered to be adequate.

2 Take-offs made to demonstrate V_{MU} should be continued until the aeroplane is out of ground effect. The aeroplane pitch attitude should not be decreased after lift-off.

AMC 25.107(e)(1)(iv) Take-off Speeds

V_{MU} Testing for Geometry Limited Aeroplanes.

1 For aeroplanes that are geometry limited (i.e., the minimum possible V_{MU} speeds are limited by tail contact with the runway), CS 25.107(e)(1)(iv)(B) allows the V_{MU} to V_{LOF} speed margins to be reduced to 108% and 104% for the all-engines-operating and one-engine-inoperative conditions, respectively. The V_{MU} demonstrated must be sound and repeatable.

2 One acceptable means for demonstrating compliance with CS 25.107(d) and 25.107(e)(1)(iv) with respect to the capability for a safe lift-off and fly-away from the geometry limited condition is to show that at the lowest thrust-to-weight ratio for the all-engines-operating condition:

2.1 During the speed range from 96 to 100% of the actual lift-off speed, the aft under-surface of the aeroplane should be in contact with the runway. Because of the dynamic nature of the test, it is recognised that contact will probably not be maintained during this entire speed range, and some judgement is necessary. It has been found acceptable for contact to exist approximately 50% of the time that the aeroplane is in this speed range.

2.2 Beyond the point of lift-off to a height of 11m (35 ft), the aeroplane's pitch attitude should not decrease below that at the point of lift-off, nor should the speed increase more than 10%.

2.3 The horizontal distance from the start of the take-off to a height of 11 m (35 ft) should not be greater than 105% of the distance determined in accordance with CS 25.113(a)(2) without the 115% factor.

CS-25 BOOK 2

AMC 25.107(e)(3) Take-off Speeds

In showing compliance with CS 25.107(e)(3) –

- a. Rotation at a speed of $V_{R-9,3}$ km/h (5 kt) should be carried out using, up to the point of lift-off, the same rotation technique, in terms of control input, as that used in establishing the one-engine-inoperative distance of CS 25.113 (a)(1);
- b. The engine failure speed used in the $V_{R-9,3}$ km/h (5 kt) demonstration should be the same as that used in the comparative take-off rotating at V_R ;
- c. The tests should be carried out both at the lowest practical weight (such that $V_{R-9,3}$ km/h (5 kt) is not less than V_{MCG}) and at a weight approaching take-off climb limiting conditions;
- d. The tail or tail skid should not contact the runway.

AMC No. 1 to CS 25.107(e)(4) Take-off Speeds

Reasonably expected variations in service from established take-off procedures should be evaluated in respect of out-of-trim conditions during certification flight test programmes. For example, normal take-off should be made with the longitudinal control trimmed to its most adverse position within the allowable take-off trim band.

AMC No. 2 to CS 25.107(e)(4) Take-off Speeds

1 CS 25.107(e)(4) states that there must be no marked increase in the scheduled take-off distance when reasonably expected service variations, such as over-rotation, are encountered. This can be interpreted as requiring take-off tests with all engines operating with an abuse on rotation speed.

2 The expression 'marked increase' in the take-off distance is defined as any amount in excess of 1% of the scheduled take-off distance. Thus the abuse test should not result in a field length more than 101% of the scheduled field length.

3 For the early rotation abuse condition with all engines operating and at a weight as near as practicable to the maximum sea-level take-off weight, it should be shown by test that when the aeroplane is rotated rapidly at a speed which is 7% or 19 km/h (10 kt), whichever is lesser, below the scheduled V_R speed, no 'marked increase' in the scheduled field length would result.

AMC 25.109(a) and (b) Accelerate-stop Distance

Propeller pitch position. For the one-engine-inoperative accelerate-stop distance, the critical engine's propeller should be in the position it would normally assume when an engine fails and the power levers are closed. For dry runway one-engine-inoperative accelerate-stop distances, the high drag ground idle position of the operating engines' propellers (defined by a pitch setting that results in not less than zero total thrust, i.e. propeller plus jet thrust, at zero airspeed) may be used provided adequate directional control is available on a wet runway and the related operational procedures comply with CS 25.109 (f) and (h). Wet runway controllability may either be demonstrated by using the guidance available in AMC 25.109(f) at the appropriate power level, or adequate control can be assumed to be available at ground idle power if reverse thrust credit is approved for determining the wet runway accelerate-stop distances. For the all-engines-operating accelerate-stop distances on a dry runway, the high drag ground idle propeller position may be used for all engines (subject to CS

CS-25 BOOK 2

25.109(f) and (h)). For criteria relating to reverse thrust credit for wet runway accelerate-stop distances, see AMC 25.109(f).

AMC 25.109(c)(2)

Accelerate-stop distance: anti-skid system efficiency

CS 25.109(c)(2) identifies 3 categories of anti-skid system and provides for either the use of a default efficiency value appropriate to the type of system or the determination of a specific efficiency value. Paragraph 1 of this AMC gives a description of the operating characteristics of each category to enable the classification of a particular system to be determined. Paragraph 2 gives an acceptable means of compliance with the requirement for flight testing and use of default efficiency values in accordance with CS 25.109(c)(2). These values are appropriate where the tuning of the anti-skid system is largely qualitative and without detailed quantitative analysis of system performance. Where detailed data recording and analysis is used to optimise system tuning, an efficiency value somewhat higher than the default value might be obtained and determined. Typically, a value of 40% might be achieved with an On/Off system. The quasi-modulating category covers a broad range of systems with varying performance levels. The best quasi-modulating systems might achieve an efficiency up to approximately 80%. Fully modulating systems have been tuned to efficiencies greater than 80% and up to a maximum of approximately 92%, which is considered to be the maximum efficiency on a wet runway normally achievable with fully modulating digital anti-skid systems. Paragraph 3 gives an acceptable means of compliance with CS 25.109(c)(2) where the applicant elects to determine a specific efficiency value.

In Paragraph 4 of this AMC, guidance is given on the use of 2 alternative methods for calculating anti-skid system efficiency from the recorded data. One method is based on the variation of brake torque throughout the stop, while the other is based on wheel speed slip ratio. Finally, Paragraph 5 gives guidance on accounting for the distribution of the normal load between braked and unbraked wheels.

1 *Classification of anti-skid system types*

1.1 For the purposes of determining the default anti-skid efficiency value under CS 25.109(c)(2), anti-skid systems have been grouped into three broad classifications; on/off, quasi-modulating and fully modulating. These classifications represent evolving levels of technology and performance capabilities on both dry and wet runways.

1.2 On/off systems are the simplest of the three types of anti-skid systems. For these systems, fully metered brake pressure (as commanded by the pilot) is applied until wheel locking is sensed. Brake pressure is then released to allow the wheel to spin back up. When the system senses that the wheel is accelerating back to synchronous speed (i.e. ground speed), full metered pressure is again applied. The cycle of full pressure application/complete pressure release is repeated throughout the stop (or until the wheel ceases to skid with brake pressure applied).

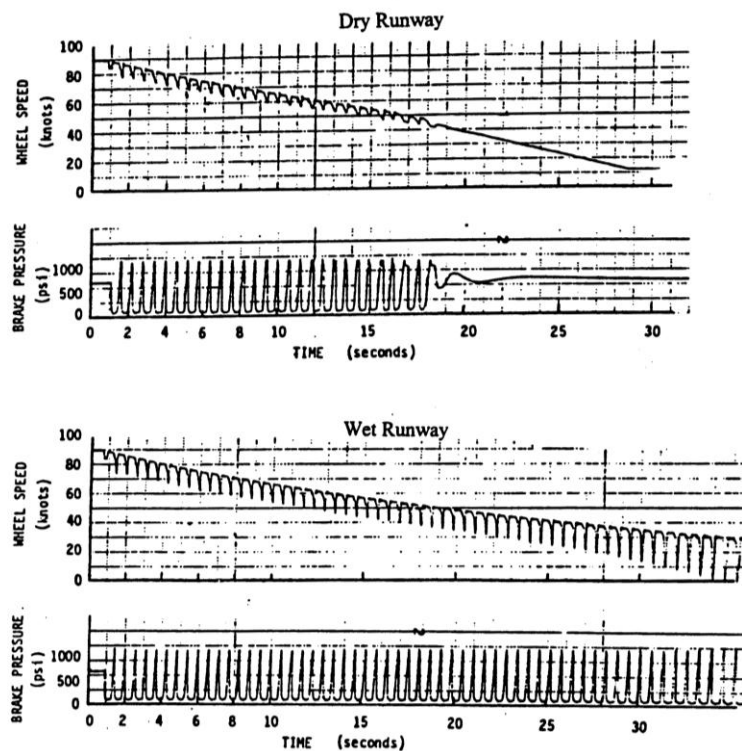
1.3 Quasi-modulating systems attempt to continuously regulate brake pressure as a function of wheel speed. Typically, brake pressure is released when the wheel deceleration rate exceeds a preselected value. Brake pressure is re-applied at a lower level after a length of time appropriate to the depth of skid. Brake pressure is then gradually increased until another incipient skid condition is sensed. In general, the corrective actions taken by these systems to exit the skid condition are based on a pre-programmed sequence rather than the wheel speed time history.

1.4 Fully modulating systems are a further refinement of the quasi-modulating systems. The major difference between these two types of anti-skid systems is in the implementation of the skid control logic. During a skid, corrective action is based on the sensed wheel speed signal, rather than a pre-programmed response. Specifically, the amount of pressure reduction or reapplication is based on the rate at which the wheel is going into or recovering from a skid. Also, higher fidelity transducers and upgraded control systems are used, which respond more quickly.

1.5 In addition to examining the control system differences noted above, a time history of the response characteristics of the anti-skid system during a wet runway stop should be used to help identify the type of anti-skid system. Comparing the response characteristics from wet and dry runway stops can also be helpful.

CS-25 BOOK 2

Figure 1 shows an example of the response characteristics of a typical on-off system on both wet and dry runways. In general, the on-off system exhibits a cyclic behaviour of brake pressure application until a skid is sensed, followed by the complete release of brake pressure to allow the wheel to spin back up. Full metered pressure (as commanded by the pilot) is then re-applied, starting the cycle over again. The wheel speed trace exhibits deep and frequent skids (the troughs in the wheel speed trace), and the average wheel speed is significantly less than the synchronous speed (which is represented by the flat topped portions of the wheel speed trace). Note that the skids are deeper and more frequent on a wet runway than on a dry runway. For the particular example shown in Figure 1, the brake becomes torque-limited toward the end of the dry runway stop and is unable to generate enough torque to cause further skidding.



**FIGURE 1. ANTI-SKID SYSTEM RESPONSE CHARACTERISTICS
On-Off System**

The effectiveness of quasi-modulating systems can vary significantly depending on the slipperiness of the runway and the design of the particular control system. On dry runways, these systems typically perform very well; however, on wet runways their performance is highly dependent on the design and tuning of the particular system. An example of the response characteristics of one such system is shown in Figure 2. On both dry and wet runways, brake pressure is released to the extent necessary to control skidding. As the wheel returns to the synchronous speed, brake pressure is quickly increased to a pre-determined level and then gradually ramped up to the full metered brake pressure. On a dry runway, this type of response reduces the depth and frequency of skidding compared to an on-off system. However, on a wet runway, skidding occurs at a pressure below that at which the gradual ramping of brake pressure occurs. As a result, on wet runways the particular system shown in Figure 2 operates very similarly to an on-off system.

CS-25 BOOK 2

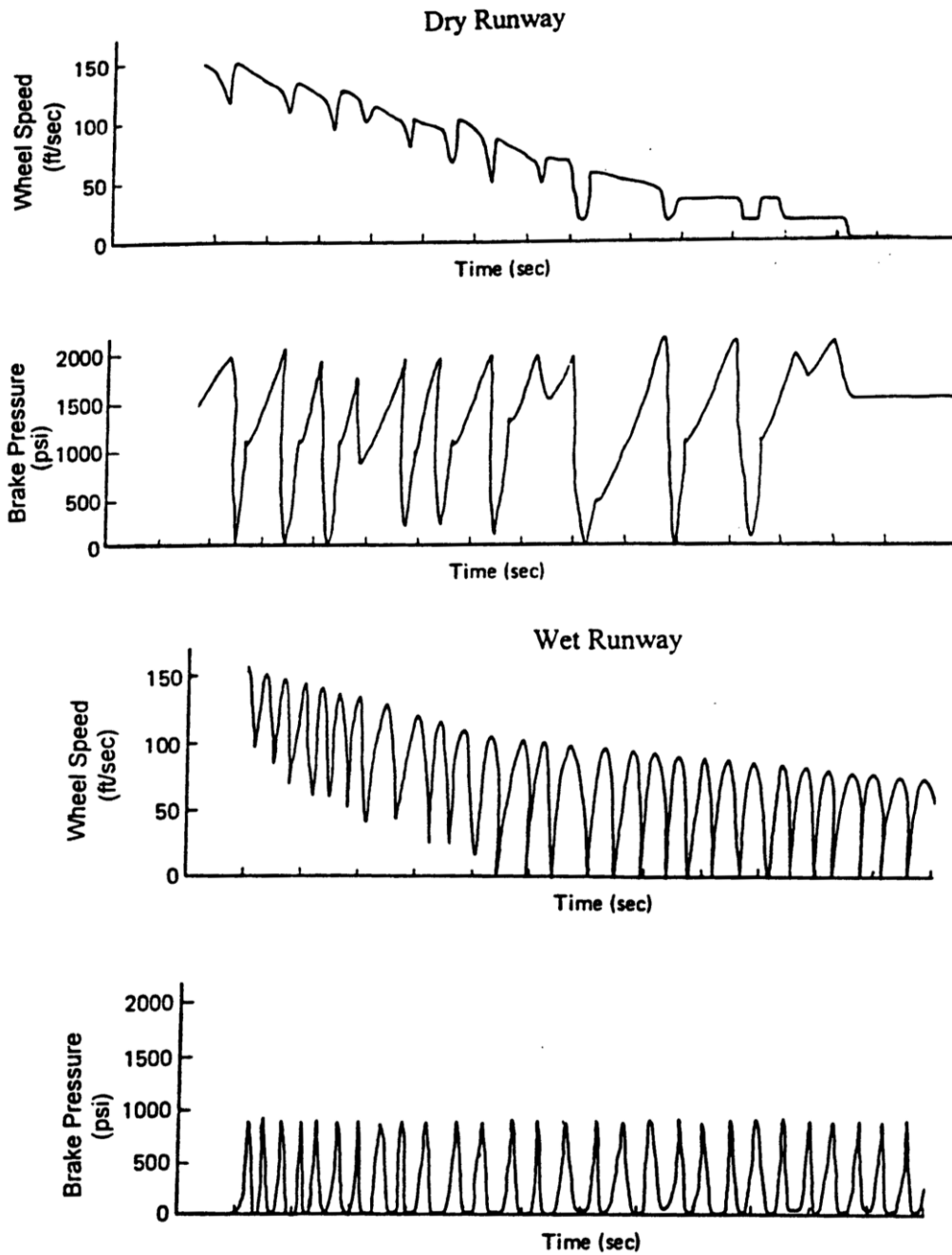
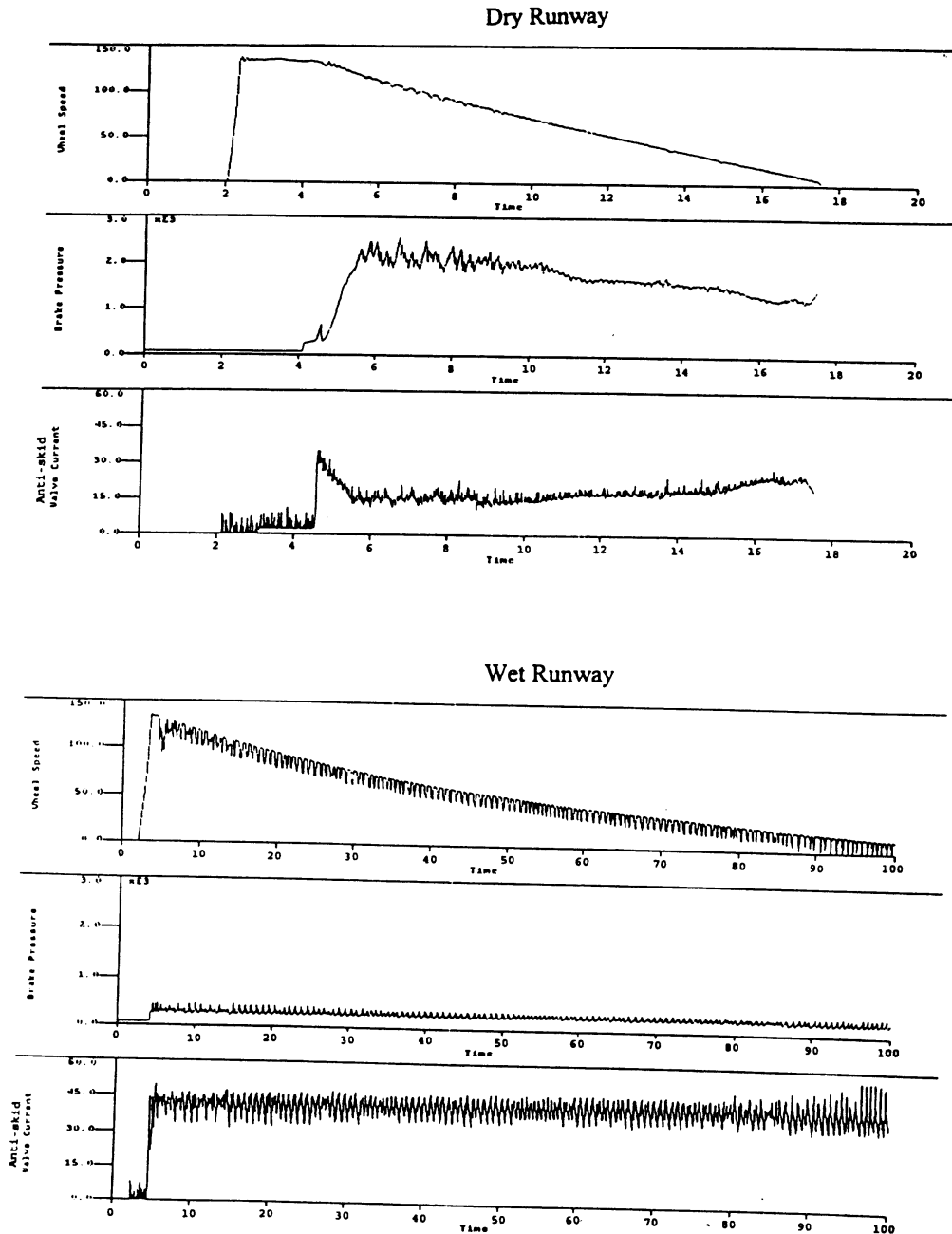


FIGURE 2. ANTI-SKID SYSTEM RESPONSE CHARACTERISTICS
Quasi-Modulating System

CS-25 BOOK 2



**FIGURE 3. ANTI-SKID SYSTEM RESPONSE CHARACTERISTICS
Fully Modulating System**

When properly tuned, fully modulating systems are characterised by much smaller variations in brake pressure around a fairly high average value. These systems can respond quickly to developing skids and are capable of modulating brake pressure to reduce the frequency and depth of skidding. As a result, the average wheel speed remains much closer to the synchronous wheel speed. Figure 3 illustrates an example of the response characteristics of a fully modulating system on dry and wet runways.

2 Demonstration of anti-skid system operation when using the anti-skid efficiency values specified in CS 25.109(c)(2)

CS-25 BOOK 2

2.1 If the applicant elects to use one of the anti-skid efficiency values specified in CS 25.109(c)(2), a limited amount of flight testing must still be conducted to verify that the anti-skid system operates in a manner consistent with the type of anti-skid system declared by the applicant. This testing should also demonstrate that the anti-skid system has been properly tuned for operation on wet runways.

2.2 A minimum of one complete stop, or equivalent segmented stops, should be conducted on a smooth (i.e. not grooved or porous friction course) wet runway at an appropriate speed and energy to cover the critical operating mode of the anti-skid system. Since the objective of the test is to observe the operation (i.e. cycling) of the anti-skid system, this test will normally be conducted at an energy well below the maximum brake energy condition.

2.3 The section of the runway used for braking should be well soaked (i.e. not just damp), but not flooded. The runway test section should be wet enough to result in a number of cycles of anti-skid activity, but should not cause hydroplaning.

2.4 Before taxi and with cold tyres, the tyre pressure should be set to the highest value appropriate to the take-off weight for which approval is being sought.

2.5 The tyres and brakes should not be new, but need not be in the fully worn condition. They should be in a condition considered representative of typical in-service operations.

2.6 Sufficient data should be obtained to determine whether the system operates in a manner consistent with the type of anti-skid system declared by the applicant, provide evidence that full brake pressure is being applied upstream of the anti-skid valve during the flight test demonstration, determine whether the anti-skid valve is performing as intended and show that the anti-skid system has been properly tuned for a wet runway.

Typically, the following parameters should be plotted versus time:

- (i) The speed of a representative number of wheels.
- (ii) The hydraulic pressure at each brake (i.e. the hydraulic pressure downstream of the anti-skid valve, or the electrical input to each anti-skid valve).
- (iii) The hydraulic pressure at each brake metering valve (i.e. upstream of the anti-skid valve).

2.7 A qualitative assessment of the anti-skid system response and aeroplane controllability should be made by the test pilot(s). In particular, pilot observations should confirm that:

- (i) Anti-skid releases are neither excessively deep nor prolonged;
- (ii) The gear is free of unusual dynamics; and
- (iii) The aeroplane tracks essentially straight, even though runway seams, water puddles and wetter patches may not be uniformly distributed in location or extent.

3 *Determination of a specific wet runway anti-skid system efficiency*

3.1 If the applicant elects to derive the anti-skid system efficiency from flight test demonstrations, sufficient flight testing, with adequate instrumentation, must be conducted to ensure confidence in the value obtained. An anti-skid efficiency of 92% (i.e. a factor of 0.92) is considered to be the maximum efficiency on a wet runway normally achievable with fully modulating digital anti-skid systems.

3.2 A minimum of three complete stops, or equivalent segmented stops, should be conducted on a wet runway at appropriate speeds and energies to cover the critical operating modes of the anti-skid system. Since the objective of the test is to determine the efficiency of the anti-skid system, these tests will normally be conducted at energies well below the maximum brake energy condition. A

CS-25 BOOK 2

sufficient range of speeds should be covered to investigate any variation of the anti-skid efficiency with speed.

3.3 The testing should be conducted on a smooth (i.e. not grooved or porous friction course) runway.

3.4 The section of the runway used for braking should be well soaked (i.e. not just damp), but not flooded. The runway test section should be wet enough to result in a number of cycles of anti-skid activity, but should not cause hydroplaning.

3.5 Before taxi and with cold tyres, the tyre pressure should be set to the highest value appropriate to the take-off weight for which approval is being sought.

3.6 The tyres and brake should not be new, but need not be in the fully worn condition. They should be in a condition considered representative of typical in-service operations.

3.7 A qualitative assessment of anti-skid system response and aeroplane controllability should be made by the test pilot(s). In particular, pilot observations should confirm that:

- (i) The landing gear is free of unusual dynamics; and
- (ii) The aeroplane tracks essentially straight, even though runway seams, water puddles and wetter patches may not be uniformly distributed in location or extent.

3.8 The wet runway anti-skid efficiency value should be determined as described in Paragraph 4 of this AMC. The test instrumentation and data collection should be consistent with the method used.

4 Calculation of anti-skid system efficiency

4.1 Paragraph 3 above provides guidance on the flight testing required to support the determination of a specific anti-skid system efficiency value. The following paragraphs describe 2 methods of calculating an efficiency value from the data recorded. These two methods, which yield equivalent results, are referred to as the torque method and the wheel slip method. Other methods may also be acceptable if they can be shown to give equivalent results.

4.2 Torque Method

Under the torque method, the anti-skid system efficiency is determined by comparing the energy absorbed by the brake during an actual wet runway stop to the energy that is determined by integrating, over the stopping distance, a curve defined by connecting the peaks of the instantaneous brake force curve (see figure 4). The energy absorbed by the brake during the actual wet runway stop is determined by integrating the curve of instantaneous brake force over the stopping distance.

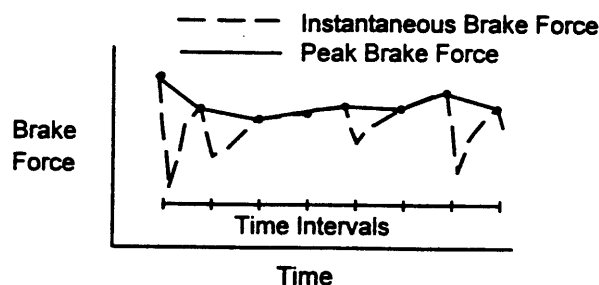


FIGURE 4. INSTANTANEOUS BRAKE FORCE AND PEAK BRAKE FORCE

Using data obtained from the wet runway stopping tests of paragraph 3, instantaneous brake force can be calculated from the following relationship:

CS-25 BOOK 2

$$F_b = \frac{(T_b + \alpha I)}{R_{\text{tyre}}}$$

where:

F_b = brake force

T_b = brake torque

α = wheel acceleration

I = wheel moment of inertia; and

R_{tyre} = tyre radius

For brake installations where measuring brake torque directly is impractical, torque may be determined from other parameters (e.g. brake pressure) if a suitable correlation is available. Wheel acceleration is obtained from the first derivative of wheel speed. Instrumentation recording rates and data analysis techniques for wheel speed and torque data should be well matched to the anti-skid response characteristics to avoid introducing noise and other artifacts of the instrumentation system into the data.

Since the derivative of wheel speed is used in calculating brake force, smoothing of the wheel speed data is usually necessary to give good results. The smoothing algorithm should be carefully designed as it can affect the resulting efficiency calculation. Filtering or smoothing of the brake torque or brake force data should not normally be done. If conditioning is applied, it should be done in a conservative manner (i.e. result in a lower efficiency value) and should not misrepresent actual aeroplane/system dynamics.

Both the instantaneous brake force and the peak brake force should be integrated over the stopping distance. The anti-skid efficiency value for determining the wet runway accelerate-stop distance is the ratio of the instantaneous brake force integral to the peak brake force integral:

$$\eta = \frac{\int \text{instantaneous brake force. ds}}{\int \text{peak brake force. ds}}$$

where:

η = anti-skid efficiency; and

s = stopping distance

The stopping distance is defined as the distance travelled during the specific wet runway stopping demonstration, beginning when the full braking configuration is obtained and ending at the lowest speed at which anti-skid cycling occurs (i.e. the brakes are not torque limited), except that this speed need not be less than 19 km/h (10 kt). Any variation in the anti-skid efficiency with speed should also be investigated, which can be accomplished by determining the efficiency over segments of the total stopping distance. If significant variations are noted, this variation should be reflected in the braking force used to determine the accelerate-stop distances (either by using a variable efficiency or by using a conservative single value).

4.3 *Wheel Slip Method*

At brake application, the tyre begins to slip with respect to the runway surface, i.e. the wheel speed slows down with respect to the aeroplane's ground speed. As the amount of tyre slip increases, the

CS-25 BOOK 2

brake force also increases until an optimal slip is reached. If the amount of slip continues to increase past the optimal slip, the braking force will decrease.

Using the wheel slip method, the anti-skid efficiency is determined by comparing the actual wheel slip measured during a wet runway stop to the optimal slip. Since the wheel slip varies significantly during the stop, sufficient wheel and ground speed data must be obtained to determine the variation of both the actual wheel slip and the optimal wheel slip over the length of the stop. A sampling rate of at least 16 samples per second for both wheel speed and ground speed has been found to yield acceptable fidelity.

For each wheel and ground speed data point, the instantaneous anti-skid efficiency value should be determined from the relationship shown in Figure 5:

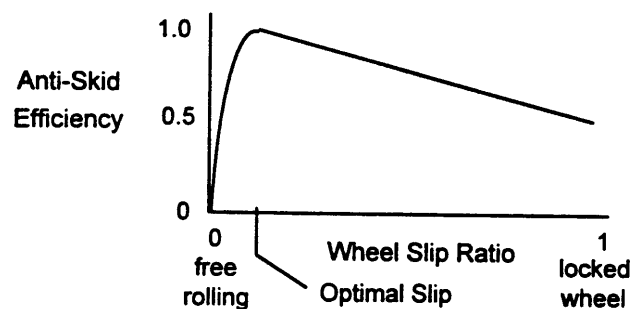


FIGURE 5. ANTI-SKID EFFICIENCY – WHEEL SLIP RELATIONSHIP

$$\text{for } WSR < OPS \quad \eta_i = 1.5 \left(\frac{WSR}{OPS} \right) - 0.5 \left(\frac{WSR}{OPS} \right)^3$$

$$\text{for } WSR = OPS \quad \eta_i = 1.0$$

$$\text{for } WSR > OPS \quad \eta_i = 0.5 \left[1 + \left(\frac{1 - WSR}{1 - OPS} \right) \right]$$

where:

$$WSR = \text{wheel slip ratio} = 1 - \left(\frac{\text{wheel speed}}{\text{ground speed}} \right)$$

OPS = optimal slip ratio; and

η_i = instantaneous anti-skid efficiency

To determine the overall anti-skid efficiency value for use in calculating the wet runway accelerate-stop distance, the instantaneous anti-skid efficiencies should be integrated with respect to distance and divided by the total stopping distance:

$$\eta = \frac{\int \eta_i \cdot ds}{s}$$

where:

η = anti-skid efficiency; and

s = stopping distance

CS-25 BOOK 2

The stopping distance is defined as the distance travelled during the specific wet runway stopping demonstration, beginning when the full braking configuration is obtained and ending at the lowest speed at which anti-skid cycling occurs (i.e. the brakes are not torque limited), except that this speed need not be less than 19 km/h (10 kt). Any variation in the anti-skid efficiency with speed should also be investigated, which can be accomplished by determining the efficiency over segments of the total stopping distance. If significant variations are noted, this variation should be reflected in the braking force used to determine the accelerate-stop distances (either by using a variable efficiency or by using a conservative single value).

The applicant should provide substantiation of the optimal wheel slip value(s) used to determine the anti-skid efficiency value. An acceptable method for determining the optimal slip value(s) is to compare time history plots of the brake force and wheel slip data obtained during the wet runway stopping tests. For brake installations where measuring brake force directly is impractical, brake force may be determined from other parameters (e.g. brake pressure) if a suitable correlation is available. For those skids where wheel slip continues to increase after a reduction in the brake force, the optimal slip is the value corresponding to the brake force peak. See Figure 6 for an example and note how both the actual wheel slip and the optimal wheel slip can vary during the stop.

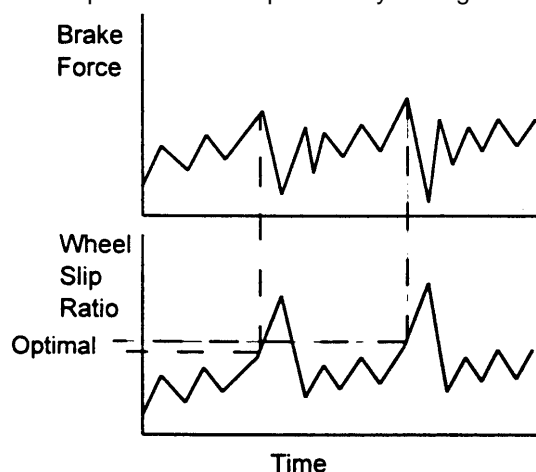


FIGURE 6. SUBSTANTIATION OF THE OPTIMAL SLIP VALUE

4.4 For dispatch with an inoperative anti-skid system (if approved), the wet runway accelerate-stop distances should be based on an efficiency no higher than that allowed by CS 25.109(c)(2) for an on-off type of anti-skid system. The safety of this type of operation should be demonstrated by flight tests conducted in accordance with Paragraph 2 of this AMC.

5 *Distribution of normal load between braked and unbraked wheels*

In addition to taking into account the efficiency of the anti-skid system, CS 25.109(b)(2)(ii) also requires adjusting the braking force for the effect of the distribution of the normal load between braked and unbraked wheels at the most adverse centre of gravity position approved for take-off. The stopping force due to braking is equal to the braking coefficient multiplied by the normal load (i.e. weight) on each braked wheel. The portion of the aeroplane's weight being supported by the unbraked wheels (e.g. unbraked nose wheels) does not contribute to the stopping force generated by the brakes. This effect must be taken into account for the most adverse centre of gravity position approved for take-off, considering any centre of gravity shifts that occur due to the dynamics of the stop. The most adverse centre of gravity position is the position that results in the least load on the braked wheels.

CS-25 BOOK 2**AMC 25.109(d)(2)****Accelerate-stop distance: anti-skid efficiency on grooved and porous friction course (PFC) runways.**

Properly designed, constructed and maintained grooved and PFC runways can offer significant improvements in wet runway braking capability. A conservative level of performance credit is provided by CS 25.109(d) to reflect this performance improvement and to provide an incentive for installing and maintaining such surfaces.

In accordance with CS 25.105(c) and 25.109(d), applicants may optionally determine the accelerate-stop distance applicable to wet grooved and PFC runways. These data would be included in the AFM in addition to the smooth runway accelerate-stop distance data. The braking coefficient for determining the accelerate-stop distance on grooved and PFC runways is defined in CS 25.109(d) as either 70% of the braking coefficient used to determine the dry runway accelerate-stop distances, or a curve based on ESDU 71026 data and derived in a manner consistent with that used for smooth runways. In either case, the brake torque limitations determined on a dry runway may not be exceeded.

Using a simple factor applied to the dry runway braking coefficient is acceptable for grooved and PFC runways because the braking coefficient's variation with speed is much lower on these types of runways. On smooth wet runways, the braking coefficient varies significantly with speed, which makes it inappropriate to apply a simple factor to the dry runway braking coefficient. For applicants who choose to determine the grooved/PFC wet runway accelerate-stop distances in a manner consistent with that used for smooth runways, CS 25.109(d)(2) provides the maximum tyre-to-ground braking coefficient applicable to grooved and PFC runways. This maximum tyre-to-ground braking coefficient must be adjusted for the anti-skid system efficiency, either by using the value specified in CS 25.109(c)(2) appropriate to the type of anti-skid system installed, or by using a specific efficiency established by the applicant. As anti-skid system performance depends on the characteristics of the runway surface, a system that has been tuned for optimum performance on a smooth surface may not achieve the same level of efficiency on a grooved or porous friction course runway, and vice versa. Consequently, if the applicant elects to establish a specific efficiency for use with grooved or PFC surfaces, anti-skid efficiency testing should be conducted on a wet runway with such a surface, in addition to testing on a smooth runway. Means other than flight testing may be acceptable, such as using the efficiency previously determined for smooth wet runways, if that efficiency is shown to be representative of, or conservative for, grooved and PFC runways. The resulting braking force for grooved/PFC wet runways must be adjusted for the effect of the distribution of the normal load between braked and unbraked wheels. This adjustment will be similar to that used for determining the braking force for smooth runways, except that the braking dynamics should be appropriate to the braking force achieved on grooved and PFC wet runways. Due to the increased braking force on grooved and PFC wet runways, an increased download on the nose wheel and corresponding reduction in the download on the main gear is expected.

AMC 25.109(f)**Accelerate-stop distance: credit for reverse thrust.**

In accordance with CS 25.109(f), reverse thrust may not be used to determine the accelerate-stop distances for a dry runway. For wet runway accelerate-stop distances, however, CS 25.109(f) allows credit for the stopping force provided by reverse thrust, if the requirements of CS 25.109(e) are met. In addition, the procedures associated with the use of reverse thrust, which CS 25.101(f) requires the applicant to provide, must meet the requirements of CS 25.101(h). The following criteria provide acceptable means of demonstrating compliance with these requirements:

1 Procedures for using reverse thrust during a rejected take-off must be developed and demonstrated. These procedures should include all of the pilot actions necessary to obtain the recommended level of reverse thrust, maintain directional control and safe engine operating characteristics, and return the reverser(s), as applicable, to either the idle or the stowed position. These procedures need not be the same as those recommended for use during a landing stop, but must not result in additional hazards, (e.g., cause a flame out or any adverse engine operating characteristics), nor may they significantly increase flightcrew workload or training needs.

CS-25 BOOK 2

2 It should be demonstrated that using reverse thrust during a rejected take-off complies with the engine operating characteristics requirements of CS 25.939(a). No adverse engine operating characteristics should be exhibited. The reverse thrust procedures may specify a speed at which the reverse thrust is to be reduced to idle in order to maintain safe engine operating characteristics.

3 The time sequence for the actions necessary to obtain the recommended level of reverse thrust should be demonstrated by flight test. The time sequence used to determine the accelerate-stop distances should reflect the most critical case relative to the time needed to deploy the thrust reversers. For example, on some aeroplanes the outboard thrust reversers are locked out if an outboard engine fails. This safety feature prevents the pilot from applying asymmetric reverse thrust on the outboard engines, but it may also delay the pilot's selection of reverse thrust on the operable reversers. In addition, if the selection of reverse thrust is the fourth or subsequent pilot action to stop the aeroplane (e.g., after manual brake application, thrust/power reduction, and spoiler deployment), a one second delay should be added to the demonstrated time to select reverse thrust. (See figure 1 of AMC 25.101(h)(3).)

4 The response times of the affected aeroplane systems to pilot inputs should be taken into account. For example, delays in system operation, such as thrust reverser interlocks that prevent the pilot from applying reverse thrust until the reverser is deployed, should be taken into account. The effects of transient response characteristics, such as reverse thrust engine spin-up, should also be included.

5 To enable a pilot of average skill to consistently obtain the recommended level of reverse thrust under typical in-service conditions, a lever position that incorporates tactile feedback (e.g., a detent or stop) should be provided. If tactile feedback is not provided, a conservative level of reverse thrust should be assumed.

6 The applicant should demonstrate that exceptional skill is not required to maintain directional control on a wet runway with a 19 km/h (ten knot) crosswind from the most adverse direction. For demonstration purposes, a wet runway may be simulated by using a castering nosewheel on a dry runway. Symmetric braking should be used during the demonstration, and both all-engines-operating and critical-engine-inoperative reverse thrust should be considered. The brakes and thrust reversers may not be modulated to maintain directional control. The reverse thrust procedures may specify a speed at which the reverse thrust is reduced to idle in order to maintain directional controllability.

7 To meet the requirements of CS 25.101(h)(2) and 25.109(e)(1), the probability of failure to provide the recommended level of reverse thrust should be no greater than 1 per 1000 selections. The effects of any system or component malfunction or failure should not create an additional hazard.

8 The number of thrust reversers used to determine the wet runway accelerate-stop distance data provided in the AFM should reflect the number of engines assumed to be operating during the rejected take-off along with any applicable system design features. The all-engines-operating accelerate-stop distances should be based on all thrust reversers operating. The one-engine-inoperative accelerate-stop distances should be based on failure of the critical engine. For example, if the outboard thrust reversers are locked out when an outboard engine fails, the one-engine-inoperative accelerate stop distances can only include reverse thrust from the inboard engine thrust reversers.

9 For the engine failure case, it should be assumed that the thrust reverser does not deploy (i.e., no reverse thrust or drag credit for deployed thrust reverser buckets on the failed engine).

10 For approval of dispatch with one or more inoperative thrust reverser(s), the associated performance information should be provided either in the Aeroplane Flight Manual or the Master Minimum Equipment List.

11 The effective stopping force provided by reverse thrust in each, or at the option of the applicant, the most critical take-off configuration, should be demonstrated by flight test. Flight test demonstrations should be conducted to substantiate the accelerate-stop distances, and should include

CS-25 BOOK 2

the combined use of all the approved means for stopping the aeroplane. These demonstrations may be conducted on a dry runway.

12 For turbo-propeller powered aeroplanes, the criteria of paragraphs 1 to 11 above remain generally applicable. Additionally, the propeller of the inoperative engine should be in the position it would normally assume when an engine fails and the power lever is closed. Reverse thrust may be selected on the remaining engine(s). Unless this is achieved by a single action to retard the power lever(s) from the take-off setting without encountering a stop or lockout, it must be regarded as an additional pilot action for the purposes of assessing delay times. If this is the fourth or subsequent pilot action to stop the aeroplane, a one second delay should be added to the demonstrated time to select reverse thrust.

AMC 25.111 Take-off Path

The height references in CS 25.111 should be interpreted as geometrical heights.

AMC 25.111(b) Take-off Path

1 Rotation speed, V_R , is intended to be the speed at which the pilot initiates action to raise the nose gear off the ground, during the acceleration to V_2 ; consequently, the take-off path determination, in accordance with CS 25.111 (a) and (b), should assume that pilot action to raise the nose gear off the ground will not be initiated until the speed V_R has been reached.

2 The time between lift-off and the initiation of gear retraction during take-off distance demonstrations should not be less than that necessary to establish an indicated positive rate of climb plus one second. For the purposes of flight manual expansion, the average demonstrated time delay between lift-off and initiation of gear retraction may be assumed; however, this value should not be less than 3 seconds.

AMC 25.113(a)(2), (b)(2) and (c)(2) Take-off Distance and Take-off Run

In establishment of the take-off distance and take-off run, with all engines operating, in accordance with CS 25.113(a), (b) and (c), the flight technique should be such that –

- a. A speed of not less than V_2 is achieved before reaching a height of 11 m (35 ft) above the take-off surface,
- b. It is consistent with the achievement of a smooth transition to a steady initial climb speed of not less than $V_2 + 19$ km/h (10 kt) at a height of 122 m (400 ft) above the take-off surface.

AMC 25.119 Landing Climb: All-engines-operating

In establishing the thrust specified in CS 25.119, either –

- a. Engine acceleration tests should be conducted using the most critical combination of the following parameters:
 - i. Altitude;
 - ii. Airspeed;
 - iii. Engine bleed;

CS-25 BOOK 2

iv. Engine power off-take;

likely to be encountered during an approach to a landing airfield within the altitude range for which landing certification is sought; or

b. The thrust specified in CS 25.119 should be established as a function of these parameters.

[Amdt. No.: 25/3]

AMC 25.121**Climb: One-engine-inoperative**

1 In showing compliance with CS 25.121 it is accepted that bank angles of up to 2° to 3° toward the operating engine(s) may be used.

2 The height references in CS 25.121 should be interpreted as geometrical heights.

AMC 25.121(a)**Climb: One-engine-inoperative**

The configuration of the landing gear used in showing compliance with the climb requirements of CS 25.121(a) may be that finally achieved following 'gear down' selection.

AMC 25.121(a)(1)**Climb: One-engine-inoperative**

A 'power operating condition' more critical than that existing at the time when retraction of the landing gear is begun would occur, for example, if water injection were discontinued prior to reaching the point at which the landing gear is fully retracted.

AMC 25.121(b)(1)(i)**Climb: One-engine-inoperative**

A 'power operating condition' more critical than that existing at the time the landing gear is fully retracted would occur, for example, if water injection were discontinued prior to reaching a gross height of 122 m (400 ft).

[Amdt. No.: 25/3]

AMC 25.123**En-route Flight Paths**

If, in showing compliance with CS 25.123, any credit is to be taken for the progressive use of fuel by the operating engines, the fuel flow rate should be assumed to be 80% of the engine specification flow rate at maximum continuous power, unless a more appropriate figure has been substantiated by flight tests.

AMC 25.125(b)(3)**Change of Configuration**

No changes in configuration, addition of thrust, or nose depression should be made after reaching 15 m (50 ft) height.

[Amdt. No.: 25/3]

CS-25 BOOK 2**AMC 25.125(c)****Landing**

1 During measured landings, if the brakes can be consistently applied in a manner permitting the nose gear to touch down safely, the brakes may be applied with only the main wheels firmly on the ground. Otherwise, the brakes should not be applied until all wheels are firmly on the ground.

2 This is not intended to prevent operation in the normal way of automatic braking systems which, for instance, permit brakes to be selected on before touchdown.

[Amdt. No.: 25/3]

AMC 25.125(c)(2)**Landing**

To ensure compliance with CS 25.125(c)(2), a series of six measured landings should be conducted on the same set of wheel brakes and tyres.

[Amdt. No.: 25/3]

AMC 25.143(a) and (b)**Controllability and Manoeuvrability**

In showing compliance with the requirements of CS 25.143(a) and (b) account should be taken of aeroelastic effects and structural dynamics (including aeroplane response to rough runways and water waves) which may influence the aeroplane handling qualities in flight and on the surface. The oscillation characteristics of the flightdeck, in likely atmospheric conditions, should be such that there is no reduction in ability to control and manoeuvre the aeroplane safely.

AMC 25.143(b)(1)**Control Following Engine Failure**

1 An acceptable means of showing compliance with CS 25.143(b)(1) is to demonstrate that it is possible to regain full control of the aeroplane without attaining a dangerous flight condition in the event of a sudden and complete failure of the critical engine in the following conditions:

a. At each take-off flap setting at the lowest speed recommended for initial steady climb with all engines operating after take-off, with –

i. All engines, prior to the critical engine becoming inoperative, at maximum take-off power or thrust;

ii. All propeller controls in the take-off position;

iii. The landing gear retracted;

iv. The aeroplane in trim in the prescribed initial conditions; and

b. With wing-flaps retracted at a speed of $1.23 V_{SR1}$ with –

i. All engines, prior to the critical engine becoming inoperative, at maximum continuous power or thrust;

ii. All propeller controls in the en-route position;

iii. The landing gear retracted;

CS-25 BOOK 2

iv. The aeroplane in trim in the prescribed initial conditions.

2 The demonstrations should be made with simulated engine failure occurring during straight flight with wings level. In order to allow for likely delay in the initiation of recovery action, no action to recover the aeroplane should be taken for 2 seconds following engine failure. The recovery action should not necessitate movement of the engine, propeller or trimming controls, nor require excessive control forces. The aeroplane will be considered to have reached an unacceptable attitude if a bank angle of 45° is exceeded during recovery.

AMC 25.143 (d)**Controllability and Manoeuvrability**

1 The maximum forces given in the table in CS 25.143(d) for pitch and roll control for short term application are applicable to manoeuvres in which the control force is only needed for a short period. Where the manoeuvre is such that the pilot will need to use one hand to operate other controls (such as the landing flare or go-around, or during changes of configuration or power resulting in a change of control force that must be trimmed out) the single-handed maximum control forces will be applicable. In other cases (such as take-off rotation, or manoeuvring during en-route flight) the two handed maximum forces will apply.

2 Short term and long term forces should be interpreted as follows:–

Short term forces are the initial stabilised control forces that result from maintaining the intended flight path during configuration changes and normal transitions from one flight condition to another, or from regaining control following a failure. It is assumed that the pilot will take immediate action to reduce or eliminate such forces by re-trimming or changing configuration or flight conditions, and consequently short term forces are not considered to exist for any significant duration. They do not include transient force peaks that may occur during the configuration change, change of flight condition or recovery of control following a failure.

Long term forces are those control forces that result from normal or failure conditions that cannot readily be trimmed out or eliminated.

[Amdt. No.: 25/3]

AMC No. 1 to CS 25.143(g)**Controllability and Manoeuvrability**

An acceptable means of compliance with the requirement that stick forces may not be excessive when manoeuvring the aeroplane, is to demonstrate that, in a turn for 0.5g incremental normal acceleration (0.3g above 6096 m (20 000 ft)) at speeds up to V_{FC}/M_{FC} , the average stick force gradient does not exceed 534 N (120 lbf)/g.

[Amdt. No.: 25/3]

AMC No. 2 to CS 25.143(g)**Controllability and Manoeuvrability**

1 The objective of CS 25.143(g) is to ensure that the limit strength of any critical component on the aeroplane would not be exceeded in manoeuvring flight. In much of the structure the load sustained in manoeuvring flight can be assumed to be directly proportional to the load factor applied. However, this may not be the case for some parts of the structure, e.g., the tail and rear fuselage. Nevertheless, it is accepted that the aeroplane load factor will be a sufficient guide to the possibility of exceeding limit strength on any critical component if a structural investigation is undertaken whenever the design positive limit manoeuvring load factor is closely approached. If flight testing indicates that the design positive limit manoeuvring load factor could be exceeded in steady manoeuvring flight with a 222 N (50 lbf) stick force, the aeroplane structure should be evaluated for the anticipated load at a

CS-25 BOOK 2

222 N (50 lbf) stick force. The aeroplane will be considered to have been overstressed if limit strength has been exceeded in any critical component. For the purposes of this evaluation, limit strength is defined as the larger of either the limit design loads envelope increased by the available margins of safety, or the ultimate static test strength divided by 1.5.

2 *Minimum Stick Force to Reach Limit Strength*

2.1 A stick force of at least 222 N (50 lbf) to reach limit strength in steady manoeuvres or wind up turns is considered acceptable to demonstrate adequate minimum force at limit strength in the absence of deterrent buffeting. If heavy buffeting occurs before the limit strength condition is reached, a somewhat lower stick force at limit strength may be acceptable. The acceptability of a stick force of less than 222 N (50 lbf) at the limit strength condition will depend upon the intensity of the buffet, the adequacy of the warning margin (i.e., the load factor increment between the heavy buffet and the limit strength condition) and the stick force characteristics. In determining the limit strength condition for each critical component, the contribution of buffet loads to the overall manoeuvring loads should be taken into account.

2.2 This minimum stick force applies in the en-route configuration with the aeroplane trimmed for straight flight, at all speeds above the minimum speed at which the limit strength condition can be achieved without stalling. No minimum stick force is specified for other configurations, but the requirements of CS 25.143 (g) are applicable in these conditions.

3 *Stick Force Characteristics*

3.1 At all points within the buffet onset boundary determined in accordance with CS 25.251(e), but not including speeds above V_{FC}/M_{FC} , the stick force should increase progressively with increasing load factor. Any reduction in stick force gradient with change of load factor should not be so large or abrupt as to impair significantly the ability of the pilot to maintain control over the load factor and pitch attitude of the aeroplane.

3.2 Beyond the buffet onset boundary, hazardous stick force characteristics should not be encountered within the permitted manoeuvring envelope as limited by paragraph 3.3. It should be possible, by use of the primary longitudinal control alone, to pitch the aeroplane rapidly nose down so as to regain the initial trimmed conditions. The stick force characteristics demonstrated should comply with the following:

a. For normal acceleration increments of up to 0.3 g beyond buffet onset, where these can be achieved, local reversal of the stick force gradient may be acceptable provided that any tendency to pitch up is mild and easily controllable.

b. For normal acceleration increments of more than 0.3 g beyond buffet onset, where these can be achieved, more marked reversals of the stick force gradient may be acceptable. It should be possible for any tendency to pitch up to be contained within the allowable manoeuvring limits without applying push forces to the control column and without making a large and rapid forward movement of the control column.

3.3 In flight tests to satisfy paragraph 3.1 and 3.2 the load factor should be increased until either –

a. The level of buffet becomes sufficient to provide a strong and effective deterrent to further increase of load factor; or

b. Further increase of load factor requires a stick force in excess of 667 N (150 lbf) (or in excess of 445 N (100 lbf) when beyond the buffet onset boundary) or is impossible because of the limitations of the control system; or

c. The positive limit manoeuvring load factor established in compliance with CS 25.337(b) is achieved.

CS-25 BOOK 2

4 *Negative Load Factors*

It is not intended that a detailed flight test assessment of the manoeuvring characteristics under negative load factors should necessarily be made throughout the specified range of conditions. An assessment of the characteristics in the normal flight envelope involving normal accelerations from 1 g to 0 g will normally be sufficient. Stick forces should also be assessed during other required flight testing involving negative load factors. Where these assessments reveal stick force gradients that are unusually low, or that are subject to significant variation, a more detailed assessment, in the most critical of the specified conditions, will be required. This may be based on calculations provided these are supported by adequate flight test or wind tunnel data.

[Amdt. No.: 25/3]

AMC 25.143(h) **Manoeuvre Capability**

1 As an alternative to a detailed quantitative demonstration and analysis of coordinated turn capabilities, the levels of manoeuvrability free of stall warning required by CS 25.143(h) can normally be assumed where the scheduled operating speeds are not less than –

$$1.08 V_{SW} \text{ for } V_2$$

$$1.16 V_{SW} \text{ for } V_2 + xx, V_{FTO} \text{ and } V_{REF}$$

where V_{SW} is the stall warning speed determined at idle power and at 1g in the same conditions of configuration, weight and centre of gravity, all expressed in CAS. Nevertheless, a limited number of turning flight manoeuvres should be conducted to confirm qualitatively that the aeroplane does meet the manoeuvre bank angle objectives (e.g. for an aeroplane with a significant Mach effect on the C_L/α relationship) and does not exhibit other characteristics which might interfere with normal manoeuvring.

2 The effect of thrust or power is normally a function of thrust to weight ratio alone and, therefore, it is acceptable for flight test purposes to use the thrust or power setting that is consistent with a WAT-limited climb gradient at the test conditions of weight, altitude and temperature. However, if the manoeuvre margin to stall warning (or other relevant characteristic that might interfere with normal manoeuvring) is reduced with increasing thrust or power, the critical conditions of both thrust or power and thrust-to-weight ratio must be taken into account when demonstrating the required manoeuvring capabilities.

[Amdt. No.: 25/3]

AMC 25.145(a) **Longitudinal Control – Control Near The Stall**

1 CS 25.145(a) requires that there be adequate longitudinal control to promptly pitch the aeroplane nose down from at or near the stall to return to the original trim speed. The intent is to ensure sufficient pitch control for a prompt recovery if the aeroplane is inadvertently slowed to the point of the stall. Although this requirement must be met with power off and at maximum continuous power, there is no intention to require stall demonstrations at engine powers above that specified in CS 25.201(a)(2). Instead of performing a full stall at maximum continuous power, compliance may be assessed by demonstrating sufficient static longitudinal stability and nose down control margin when the deceleration is ended at least one second past stall warning during a 0.5 m/s^2 (one knot per second) deceleration. The static longitudinal stability during the manoeuvre and the nose down control power remaining at the end of the manoeuvre must be sufficient to assure compliance with the requirement.

2 The aeroplane should be trimmed at the speed for each configuration as prescribed in CS 25.103(b)(6). The aeroplane should then be decelerated at 0.5 m/s^2 (1 knot per second) with wings level. For tests at idle power, it should be demonstrated that the nose can be pitched down from any

CS-25 BOOK 2

speed between the trim speed and the stall. Typically, the most critical point is at the stall when in stall buffet. The rate of speed increase during the recovery should be adequate to promptly return to the trim point. Data from the stall characteristics test can be used to evaluate this capability at the stall. For tests at maximum continuous power, the manoeuvre need not be continued for more than one second beyond the onset of stall warning. However, the static longitudinal stability characteristics during the manoeuvre and the nose down control power remaining at the end of the manoeuvre must be sufficient to assure that a prompt recovery to the trim speed could be attained if the aeroplane is slowed to the point of stall.

AMC 25.145 (b)(2) **Longitudinal Control**

Where high lift devices are being retracted and where large and rapid changes in maximum lift occur as a result of movement of high-lift devices, some reduction in the margin above the stall may be accepted.

AMC 25.145(b)(1), (b)(2) and (b)(3) **Longitudinal Control**

The presence of gated positions on the flap control does not affect the requirement to demonstrate full flap extensions and retractions without changing the trim control.

AMC 25.145(e) **Longitudinal Control**

If gates are provided, CS 25.145(e) requires the first gate from the maximum landing position to be located at a position corresponding to a go-around configuration. If there are multiple go-around configurations, the following criteria should be considered when selecting the location of the gate:

- a. The expected relative frequency of use of the available go-around configurations.
- b. The effects of selecting the incorrect high-lift device control position.
- c. The potential for the pilot to select the incorrect control position, considering the likely situations for use of the different go-around positions.
- d. The extent to which the gate(s) aid the pilot in quickly and accurately selecting the correct position of the high-lift devices.

AMC 25.147(a) **Directional Control; general**

The intention of the requirement is that the aircraft can be yawed as prescribed without the need for application of bank angle. Small variations of bank angle that are inevitable in a realistic flight test demonstration are acceptable.

AMC 25.147 (d) **Lateral Control: Roll Capability**

An acceptable method of demonstrating compliance with CS 25.147(d) is as follows:

With the aeroplane in trim, all as nearly as possible, in trim, for straight flight at V_2 , establish a steady 30° banked turn. It should be demonstrated that the aeroplane can be rolled to a 30° bank angle in the other direction in not more than 11 seconds. In this demonstration, the rudder may be used to the extent necessary to minimise sideslip. The demonstration should be made in the most adverse

CS-25 BOOK 2

direction. The manoeuvre may be unchecked. Care should be taken to prevent excessive sideslip and bank angle during the recovery.

Conditions: Maximum take-off weight.

Most aft c.g. position.

Wing-flaps in the most critical take-off position.

Landing Gear retracted.

Yaw SAS on, and off, if applicable.

Operating engine(s) at maximum take-off power.

The inoperative engine that would be most critical for controllability, with the propeller (if applicable) feathered.

Note: Normal operation of a yaw stability augmentation system (SAS) should be considered in accordance with normal operating procedures.

AMC 25.147(f)**Lateral Control: All Engines Operating**

An acceptable method of demonstrating that roll response and peak roll rates are adequate for compliance with CS 25.147 (f) is as follows:

It should be possible in the conditions specified below to roll the aeroplane from a steady 30° banked turn through an angle of 60° so as to reverse the direction of the turn in not more than 7 seconds. In these demonstrations the rudder may be used to the extent necessary to minimise sideslip. The demonstrations should be made rolling the aeroplane in either direction, and the manoeuvres may be unchecked.

Conditions:

(a) En-route: Airspeed. All speeds between the minimum value of the scheduled all-engines-operating climb speed and V_{MO}/M_{MO} .

Wing-flaps. En-route position(s).

Air Brakes. All permitted settings from Retracted to Extended.

Landing Gear. Retracted.

Power. All engines operating at all powers from flight idle up to maximum continuous power.

Trim. The aeroplane should be in trim from straight flight in these conditions, and the trimming controls should not be moved during the manoeuvre.

(b) Approach: Airspeed. Either the speed maintained down to the 15 m (50 ft) height in compliance with CS 25.125(a)(2), or the target threshold speed determined in accordance with CS 25.125 (c)(2)(i) as appropriate to the method of landing distance determination used.

Wing-flaps. In each landing position.

Air Brakes. In the maximum permitted extended setting.

CS-25 BOOK 2

Landing Gear. Extended.

Power. All engines operating at the power required to give a gradient of descent of 5.0%.

Trim. The aeroplane should be in trim for straight flight in these conditions, and the trimming controls should not be moved during the manoeuvre.

AMC 25.149**Minimum Control Speeds**

1 The determination of the minimum control speed, V_{MC} , and the variation of V_{MC} with available thrust, may be made primarily by means of 'static' testing, in which the speed of the aeroplane is slowly reduced, with the thrust asymmetry already established, until the speed is reached at which straight flight can no longer be maintained. A small number of 'dynamic' tests, in which sudden failure of the critical engine is simulated, should be made in order to check that the V_{MC} s determined by the static method are valid.

2 When minimum control speed data are expanded for the determination of minimum control speeds (including V_{MC} , V_{MCG} and V_{MCL}) for all ambient conditions, these speeds should be based on the maximum values of thrust which can reasonably be expected from a production engine in service. The minimum control speeds should not be based on specification thrust, since this thrust represents the minimum thrust as guaranteed by the manufacturer, and the resulting speeds would be unconservative for most cases.

AMC 25.149(e)**Minimum Control Speed**

During determination of V_{MCG} , engine failure recognition should be provided by:

- a. The pilot feeling a distinct change in the directional tracking characteristics of the aeroplane, or
- b. The pilot seeing a directional divergence of the aeroplane with respect to the view outside the aeroplane.

AMC 25.149(f)**Minimum Control Speeds**

1 At the option of the applicant, a one-engine-inoperative landing minimum control speed, V_{MCL} (1 out) may be determined in the conditions appropriate to an approach and landing with one engine having failed before the start of the approach. In this case, only those configurations recommended for use during an approach and landing with one engine inoperative need be considered. The propeller of the inoperative engine, if applicable, may be feathered throughout.

2 The resulting value of V_{MCL} (1 out) may be used in determining the recommended procedures and speeds for a one-engine-inoperative approach and landing.

AMC 25.149(g)**Minimum Control Speeds**

1 At the option of the applicant, a two-engine-inoperative landing minimum control speed, V_{MCL-2} (2 out) may be determined in the conditions appropriate to an approach and landing with two engines having failed before the start of the approach. In this case, only those configurations recommended for use during an approach and landing with two engines inoperative need be considered. The propellers of the inoperative engines, if applicable, may be feathered throughout.

CS-25 BOOK 2

2 The values of V_{MCL-2} or V_{MCL-2} (2 out) should be used as guidance in determining the recommended procedures and speeds for a two-engines-inoperative approach and landing.

AMC 25.149(h)(3) **Minimum Control Speeds**

The 20° lateral control demonstration manoeuvre may be flown as a bank-to-bank roll through wings level.

AMC 25.149(h)(4) **Minimum Control Speeds**

Where an autofeather or other drag limiting system is installed and will be operative at approach power settings, its operation may be assumed in determining the propeller position achieved when the engine fails. Where automatic feathering is not available the effects of subsequent movements of the engine and propeller controls should be considered, including fully closing the power lever of the failed engine in conjunction with maintaining the go-around power setting on the operating engine(s).

AMC 25.173(c) **Static Longitudinal Stability**

The average gradient is taken over each half of the speed range between 0.85 and 1.15 V_{trim} .

AMC 25.177(c) **Steady, Straight Sideslips**

1 CS 25.177(c) requires, in steady, straight sideslips throughout the range of sideslip angles appropriate to the operation of the aeroplane, that the aileron and rudder control movements and forces be proportional to the angle of sideslip. The factor of proportionality must lie between limits found necessary for safe operation. The range of sideslip angles evaluated must include those sideslip angles resulting from the lesser of: (1) one-half of the available rudder control input; and (2) a rudder control force of 180 pounds. CS 25.177(c) states, by cross-reference to CS 25.177(a), that these steady, straight sideslip criteria must be met for all landing gear and flap positions and symmetrical power conditions at speeds from $1.13 V_{SR1}$ to V_{FE} , V_{LE} , or V_{FC}/M_{FC} , as appropriate for the configuration.

2 Sideslip Angles Appropriate to the Operation of the Aeroplane

2.1 Experience has shown that an acceptable method for determining the appropriate sideslip angle for the operation of a transport category aeroplane is provided by the following equation:

$$\beta = \arcsin(30/V)$$

where β = Sideslip angle, and
 V = Airspeed (KCAS)

Recognising that smaller sideslip angles are appropriate as speed is increased, this equation provides sideslip angle as a function of airspeed. The equation is based on the theoretical sideslip value for a 56 km/h (30-knot) crosswind, but has been shown to conservatively represent (i.e., exceed) the sideslip angles achieved in maximum crosswind take-offs and landings and minimum static and dynamic control speed testing for a variety of transport category aeroplanes. Experience has also shown that a maximum sideslip angle of 15 degrees is generally appropriate for most transport category aeroplanes even though the equation may provide a higher sideslip angle. However, limiting the maximum sideslip angle to 15 degrees may not be appropriate for aeroplanes with low approach speeds or high crosswind capability.

2.2 A lower sideslip angle than that provided in paragraph 2.1 may be used if it is substantiated that the lower value conservatively covers all crosswind conditions, engine failure scenarios, and other conditions

CS-25 BOOK 2

where sideslip may be experienced within the approved operating envelope. Conversely, a higher value should be used for aeroplanes where test evidence indicates that a higher value would be appropriate to the operation of the aeroplane.

3 For the purposes of showing compliance with the requirement out to sideslip angles associated with one-half of the available rudder control input, there is no need to consider a rudder control input beyond that corresponding to full available rudder surface travel or a rudder control force of 801 N (180 lbf) . Some rudder control system designs may limit the available rudder surface deflection such that full deflection for the particular flight condition is reached before the rudder control reaches one-half of its available travel. In such cases, further rudder control input would not result in additional rudder surface deflection.

4 *Steady, straight sideslips*

4.1 Steady, straight sideslips should be conducted in each direction to show that the aileron and rudder control movements and forces are substantially proportional to the angle of sideslip in a stable sense, and that the factor of proportionality is within the limits found necessary for safe operation. These tests should be conducted at progressively greater sideslip angles up to the sideslip angle appropriate to the operation of the aeroplane (see paragraph 2.1) or the sideslip angle associated with one-half of the available rudder control input, whichever is greater.

4.2 When determining the rudder and aileron control forces, the controls should be relaxed at each point to find the minimum force needed to maintain the control surface deflection. If excessive friction is present, the resulting low forces will indicate the aeroplane does not have acceptable stability characteristics.

4.3 In lieu of conducting each of the separate qualitative tests required by CS 25.177(a) and (b), the applicant may use recorded quantitative data showing aileron and rudder control force and position versus sideslip (left and right) to the appropriate limits in the steady heading sideslips conducted to show compliance with CS 25.177(c). If the control force and position versus sideslip indicates positive dihedral effect and positive directional stability, compliance with CS 25.177(a) and (b) will have been successfully demonstrated."

[Amdt. No.: 25/11]

AMC 25.177(d) Full Rudder Sideslips

1.1 At sideslip angles greater than those appropriate for normal operation of the aeroplane, up to the sideslip angle at which full rudder control is used or a rudder control force of 801 N (180 lbf) is obtained, CS 25.177(d) requires that the rudder control forces may not reverse and increased rudder deflection must be needed for increased angles of sideslip. The goals of this higher-than-normal sideslip angle test are to show that at full rudder, or at maximum expected pilot effort: (1) the rudder control force does not reverse, and (2) increased rudder deflection must be needed for increased angles of sideslip, thus demonstrating freedom from rudder lock or fin stall, and adequate directional stability for manoeuvres involving large rudder inputs.

1.2 Compliance with this requirement should be shown using straight, steady sideslips. However, if full lateral control input is reached before full rudder control travel or a rudder control force of 801 N (180 lbf) is reached, the manoeuvre may be continued in a non-steady heading (i.e., rolling and yawing) manoeuvre. Care should be taken to prevent excessive bank angles that may occur during this manoeuvre.

1.3 CS 25.177(d) states that the criteria listed in paragraph 1.1 must be met at all approved landing gear and flap positions for the range of operating speeds and power conditions appropriate to each landing gear and flap position with all engines operating. The range of operating speeds and power conditions appropriate to each landing gear and flap position with all engines operating should be consistent with the following:

a. For take-off configurations, speeds from V_{2+xx} (airspeed approved for all-engines-operating initial climb) to V_{FE} or V_{LE} , as appropriate, and take-off power/thrust;

CS-25 BOOK 2

- b. For flaps up configurations, speeds from $1.23 V_{SR}$ to V_{LE} or V_{MO}/M_{MO} , as appropriate, and power from idle to maximum continuous power/thrust;
- c. For approach configurations, speeds from $1.23 V_{SR}$ to V_{FE} or V_{LE} , as appropriate, and power from idle to go-around power/thrust; and
- d. For landing configurations, speeds from $V_{REF}-9.3$ km/h (5 knots) to V_{FE} or V_{LE} , as appropriate, with power from idle to go-around power/thrust at speeds from V_{REF} to V_{FE}/V_{LE} , and idle power at $V_{REF}-9.3$ km/h (5 knots) (to cover the landing flare).

2 Full Rudder Sideslips

2.1 Rudder lock is that condition where the rudder over-balances aerodynamically and either deflects fully with no additional pilot input or does not tend to return to neutral when the pilot input is released. It is indicated by a reversal in the rudder control force as sideslip angle is increased. Full rudder sideslips are conducted to determine the rudder control forces and deflections out to sideslip angles associated with full rudder control input (or as limited by a rudder control force of 801 N (180 lbf)) to investigate the potential for rudder lock and lack of directional stability.

2.2 To check for positive directional stability and for the absence of rudder lock, conduct steady heading sideslips at increasing sideslip angles until obtaining full rudder control input or a rudder control force of 801 N (180 lbf). If full lateral control is reached before reaching the rudder control limit or 801 (180 lbf) of rudder control force, continue the test to the rudder limiting condition in a non-steady heading sideslip manoeuvre.

3 The control limits approved for the aeroplane should not be exceeded when conducting the flight tests required by CS 25.177.

4 *Flight Test Safety Concerns.* In planning for and conducting the full rudder sideslips, items relevant to flight test safety should be considered, including:

- a. Inadvertent stalls,
- b. Effects of sideslip on stall protection systems,
- c. Actuation of stick pusher, including the effects of sideslip on angle-of-attack sensor vanes,
- d. Heavy buffet,
- e. Exceeding flap loads or other structural limits,
- f. Extreme bank angles,
- g. Propulsion system behaviour (e.g., propeller stress, fuel and oil supply, and inlet stability),
- h. Minimum altitude for recovery,
- i. Resulting roll rates when aileron limit is exceeded, and
- j. Position errors and effects on electronic or augmented flight control systems, especially when using the aeroplane's production airspeed system.

AMC 25.181 **Dynamic Stability**

The requirements of CS 25.181 are applicable at all speeds between the stalling speed and V_{FE} , V_{LE} or V_{FC}/M_{FC} , as appropriate.

CS-25 BOOK 2

AMC 25.201(a)(2) **Stall Demonstration**

The power for all power-on stall demonstrations is that power necessary to maintain level flight at a speed of $1.5 V_{SR_1}$ at maximum landing weight, with flaps in the approach position and landing gear retracted, where V_{SR_1} is the reference stall speed in the same conditions (except power). The flap position to be used to determine this power setting is that position in which the reference stall speed does not exceed 110% of the reference stall speed with the flaps in the most extended landing position.

AMC 25.201(b)(1) **Stall Demonstration**

Stall demonstrations for compliance with CS 25.201 should include demonstrations with deceleration devices deployed for all flap positions unless limitations against use of the devices with particular flap positions are imposed. 'Deceleration devices' include spoilers when used as air brakes, and thrust reversers when use in flight is permitted. Stall demonstrations with deceleration devices deployed should normally be carried out with power off, except where deployment of the deceleration devices while power is applied is likely to occur in normal operations (e.g. use of extended air brakes during landing approach).

AMC 25.201(c)(2) **Turning Flight Stalls At Higher Deceleration Rates**

The intent of evaluating higher deceleration rates is to demonstrate safe characteristics at higher rates of increase of angle of attack than are obtained from the 0.5 m/s^2 (1 knot per second) stalls. The specified airspeed deceleration rate, and associated angle of attack rate, should be maintained up to the point at which the aeroplane stalls.

AMC 25.201(d) **Stall Demonstration**

1 The behaviour of the aeroplane includes the behaviour as affected by the normal functioning of any systems with which the aeroplane is equipped, including devices intended to alter the stalling characteristics of the aeroplane.

2 Unless the design of the automatic flight control system of the aeroplane protects against such an event, the stalling characteristics and adequacy of stall warning, when the aeroplane is stalled under the control of the automatic flight control system, should be investigated. (See also CS 25.1329(f).)

AMC 25.201(d)(3) **Stall Demonstration**

An acceptable interpretation of holding the pitch control on the aft stop for a short time is:

a. The pitch control reaches the aft stop and is held full aft for 2 seconds or until the pitch attitude stops increasing, whichever occurs later.

b. In the case of turning flight stalls, recovery may be initiated once the pitch control reaches the aft stop when accompanied by a rolling motion that is not immediately controllable (provided the rolling motion complies with CS 25.203(c)).

c. For those aeroplanes where stall is defined by full nose up longitudinal control for both forward and aft C.G., the time at full aft stick should be not less than was used for stall speed determination, except as permitted by paragraph (b) above.

CS-25 BOOK 2

AMC 25.203 Stall Characteristics

1 *Static Longitudinal Stability during the Approach to the Stall.* During the approach to the stall the longitudinal control pull force should increase continuously as speed is reduced from the trimmed speed to the onset of stall warning. At lower speeds some reduction in longitudinal control pull force will be acceptable provided that it is not sudden or excessive.

2 *Rolling Motions at the Stall*

2.1 Where the stall is indicated by a nose-down pitch, this may be accompanied by a rolling motion that is not immediately controllable, provided that the rolling motion complies with CS 25.203(b) or (c) as appropriate.

2.2 In level wing stalls the bank angle may exceed 20° occasionally, provided that lateral control is effective during recovery.

3 *Deep Stall Penetration.* Where the results of wind tunnel tests reveal a risk of a catastrophic phenomenon (e.g. superstall, a condition at angles beyond the stalling incidence from which it proves difficult or impossible to recover the aeroplane), studies should be made to show that adequate recovery control is available at and sufficiently beyond the stalling incidence to avoid such a phenomenon.

AMC 25.207(b) Stall Warning

1 A warning which is clear and distinctive to the pilot is one which cannot be misinterpreted or mistaken for any other warning, and which, without being unduly alarming, impresses itself upon the pilot and captures his attention regardless of what other tasks and activities are occupying his attention and commanding his concentration. Where stall warning is to be provided by artificial means, a stick shaker device producing both a tactile and an audible warning is an Acceptable Means of Compliance.

2 Where stall warning is provided by means of a device, compliance with the requirement of CS 25.21(e) should be established by ensuring that the device has a high degree of reliability. One means of complying with this criterion is to provide dual independent systems.

AMC 25.207(c) and (d) Stall Warning

1 An acceptable method of demonstrating compliance with CS 25.207(c) is to consider stall warning speed margins obtained during stall speed demonstration (CS 25.103) and stall demonstration (CS 25.201(a)) (i.e. bank angle, power and centre of gravity conditions).

In addition, if the stall warning margin is managed by a system (thrust law, bank angle law, ...), stall warning speed margin required by CS 25.207(c) should be demonstrated, when the speed is reduced at rates not exceeding 0.5 m/s² (one knot per second), for the most critical conditions in terms of stall warning margin, without exceeding 40° bank angle or maximum continuous power or thrust during the demonstrations. In the case where the management system increases, by design, the stall warning speed margin from the nominal setting (flight idle, wing level), no additional demonstration needs to be done.

2 The stall warning speed margins required by CS 25.207(c) and (d) must be determined at a constant load factor (i.e. 1g for 207(d)). An acceptable data reduction method is to calculate $k = \sqrt{(C_{LID}/C_{LSW})}$ where C_{LID} and C_{LSW} are the C_L values respectively at the stall identification and at the stall warning activation.

CS-25 BOOK 2

3 If the stall warning required by CS 25.207 is provided by a device (e.g. a stick shaker), the effect of production tolerances on the stall warning system should be considered when evaluating the stall warning margin required by CS 25.207(c) and (d) and the manoeuvre capabilities required by CS 25.143(g).

a. The stall warning margin required by CS 25.207(c) and (d) should be available with the stall warning system set to the most critical setting expected in production. Unless another setting would provide a lesser margin, the stall warning margin required by CS 25.207(c) should be evaluated assuming the stall warning system is operating at its high angle of attack limit. For aeroplanes equipped with a device that abruptly pushes the nose down at a selected angle-of-attack (e.g. a stick pusher), the stall warning margin required by CS 25.207(c) may be evaluated with both the stall warning and stall identification (e.g. stick pusher) systems at their nominal angle of attack settings unless a lesser margin can result from the various system tolerances.

b. The manoeuvre capabilities required by CS 25.143(g) should be available assuming the stall warning system is operating on its nominal setting. In addition, when the stall warning system is operating at its low angle of attack limit, the manoeuvre capabilities should not be reduced by more than 2 degrees of bank angle from those specified in CS 25.143(g).

c. The stall warning margins and manoeuvre capabilities may be demonstrated by flight testing at the settings specified above for the stall warning and, if applicable, stall identification systems. Alternatively, compliance may be shown by applying adjustments to flight test data obtained at a different system setting.

AMC 25.251(e)**Vibration and Buffeting in Cruising Flight****1 Probable Inadvertent Excursions beyond the Buffet Boundary**

1.1 CS 25.251(e) states that probable inadvertent excursions beyond the buffet onset boundary may not result in unsafe conditions.

1.2 An acceptable means of compliance with this requirement is to demonstrate by means of flight tests beyond the buffet onset boundary that hazardous conditions will not be encountered within the permitted manoeuvring envelope (as defined by CS 25.337) without adequate prior warning being given by severe buffeting or high stick forces.

1.3 Buffet onset is the lowest level of buffet intensity consistently apparent to the flight crew during normal acceleration demonstrations in smooth air conditions.

1.4 In flight tests beyond the buffet onset boundary to satisfy paragraph 1.2, the load factor should be increased until either –

a. The level of buffet becomes sufficient to provide an obvious warning to the pilot which is a strong deterrent to further application of load factor; or

b. Further increase of load factor requires a stick force in excess of 445 N (100 lbf), or is impossible because of the limitations of the control system; or

c. The positive limit manoeuvring load factor established in compliance with CS 25.337(b) is achieved.

1.5 Within the range of load factors defined in paragraph 1.4 no hazardous conditions (such as hazardous involuntary changes of pitch or roll attitude, engine or systems malfunctioning which require urgent corrective action by the flight crew, or difficulty in reading the instruments or controlling the aeroplane) should be encountered.

CS-25 BOOK 2

2 *Range of Load Factor for Normal Operations*

2.1 CS 25.251(e) requires that the envelopes of load factor, speed, altitude and weight must provide a sufficient range of speeds and load factors for normal operations.

2.2 An acceptable means of compliance with the requirement is to establish the maximum altitude at which it is possible to achieve a positive normal acceleration increment of 0.3 g without exceeding the buffet onset boundary.

AMC 25.253(a)(4)

Lateral Control: Roll Capability

An acceptable method of demonstrating compliance with CS 25.253(a)(4) is as follows:

1 Establish a steady 20° banked turn at a speed close to V_{DF}/M_{DF} limited to the extent necessary to accomplish the following manoeuvre and recovery without exceeding V_{DF}/M_{DF} . Using lateral control alone, it should be demonstrated that the aeroplane can be rolled to 20° bank angle in the other direction in not more than 8 seconds. The demonstration should be made in the most adverse direction. The manoeuvre may be unchecked.

2 For aeroplanes that exhibit an adverse effect on roll rate when rudder is used, it should also be demonstrated that use of rudder in a conventional manner will not result in a roll capability significantly below that specified above.

3 Conditions for 1 and 2:

Wing-flaps retracted.

Speedbrakes retracted and extended.

Landing gear retracted.

Trim. The aeroplane trimmed for straight flight at V_{MO}/M_{MO} .

The trimming controls should not be moved during the manoeuvre.

Power: (i) All engines operating at the power required to maintain level flight at V_{MO}/M_{MO} , except that maximum continuous power need not be exceeded; and

(ii) if the effect of power is significant, with the throttles closed.

AMC 25.253(a)(5)

High Speed Characteristics

Extension of Speedbrakes. The following guidance is provided to clarify the meaning of the words "the available range of movements of the pilot's control" in CS 25.253(a)(5) and to provide guidance for demonstrating compliance with this requirement. Normally, the available range of movements of the pilot's control includes the full physical range of movements of the speedbrake control (i.e., from stop to stop). Under some circumstances, however, the available range of the pilot's control may be restricted to a lesser range associated with in-flight use of the speedbrakes. A means to limit the available range of movement to an in-flight range may be acceptable if it provides an unmistakable tactile cue to the pilot when the control reaches the maximum allowable in-flight position, and compliance with CS 25.697(b) is shown for positions beyond the in-flight range. Additionally, the applicant's recommended procedures and training must be consistent with the intent to limit the in-flight range of movements of the speedbrake control.

CS 25.697(b) requires that lift and drag devices intended for ground operation only must have means to prevent the inadvertent operation of their controls in flight if that operation could be hazardous. If

CS-25 BOOK 2

speedbrake operation is limited to an in-flight range, operation beyond the in-flight range of available movement of the speedbrake control must be shown to be not hazardous. Two examples of acceptable unmistakable tactile cues for limiting the in-flight range are designs incorporating either a gate, or incorporating both a detent and a substantial increase in force to move the control beyond the detent. It is not an acceptable means of compliance to restrict the use of, or available range of, the pilot's control solely by means of an aeroplane Flight Manual limitation or procedural means.

The effect of extension of speedbrakes may be evaluated during other high speed testing and during the development of emergency descent procedures. It may be possible to infer compliance with CS 25.253(a)(5) by means of this testing. To aid in determining compliance with the qualitative requirements of this rule, the following quantitative values may be used as a generally acceptable means of compliance. A load factor should be regarded as excessive if it exceeds 2.0. A nose-down pitching moment may be regarded as small if it necessitates an incremental control force of less than 89 N (20 lbf) to maintain 1g flight. These values may not be appropriate for all aeroplanes, and depend on the characteristics of the particular aeroplane design in high speed flight. Other means of compliance may be acceptable, provided that the Agency finds that compliance has been shown to the qualitative requirements specified in CS 25.253(a)(5).

AMC 25.255

Out-of-trim Characteristics

1 *Amount of Out-of-trim Required*

1.1 The equivalent degree of trim, specified in CS 25.255(a)(1) for aeroplanes which do not have a power-operated longitudinal trim system, has not been specified in quantitative terms, and the particular characteristics of each type of aeroplane must be considered. The intent of the requirement is that a reasonable amount of out-of-trim should be investigated, such as might occasionally be applied by a pilot.

1.2 In establishing the maximum mistrim that can be sustained by the autopilot the normal operation of the autopilot and associated systems should be taken into consideration. Where the autopilot is equipped with an auto-trim function the amount of mistrim which can be sustained will generally be small or zero. If there is no auto-trim function, consideration should be given to the maximum amount of out-of-trim which can be sustained by the elevator servo without causing autopilot disconnect.

2 *Datum Trim Setting*

2.1 For showing compliance with CS 25.255(b)(1) for speeds up to V_{MO}/M_{MO} , the datum trim setting should be the trim setting required for trimmed flight at the particular speed at which the demonstration is to be made.

2.2 For showing compliance with CS 25.255(b)(1) for speeds from V_{MO}/M_{MO} to V_{FC}/M_{FC} , and for showing compliance with CS 25.255(b)(2) and (f), the datum trim setting should be the trim setting required for trimmed flight at V_{MO}/M_{MO} .

3 *Reversal of Primary Longitudinal Control Force at Speeds greater than V_{FC}/M_{FC}*

3.1 CS 25.255(b)(2) requires that the direction of the primary longitudinal control force may not reverse when the normal acceleration is varied, for +1 g to the positive and negative values specified, at speeds above V_{FC}/M_{FC} . The intent of the requirement is that it is permissible that there is a value of g for which the stick force is zero, provided that the stick force versus g curve has a positive slope at that point (see Figure 1).

CS-25 BOOK 2

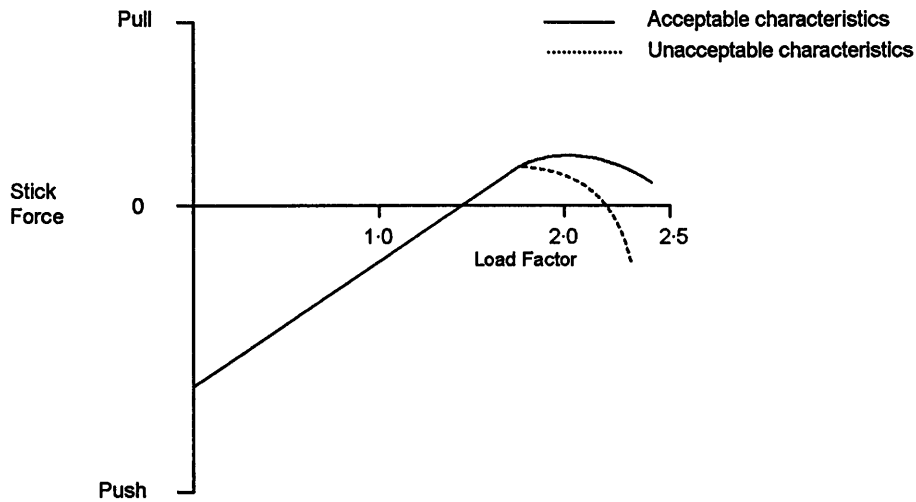


FIGURE 1

3.2 If stick force characteristics are marginally acceptable, it is desirable that there should be no reversal of normal control sensing, i.e. an aft movement of the control column should produce an aircraft motion in the nose-up direction and a change in aircraft load factor in the positive direction, and a forward movement of the control column should change the aircraft load factor in the negative direction.

3.3 It is further intended that reversals of direction of stick force with negative stick-force gradients should not be permitted in any mistrim condition within the specified range of mistrim. If test results indicate that the curves of stick force versus normal acceleration with the maximum required mistrim have a negative gradient of speeds above V_{FC}/M_{FC} then additional tests may be necessary. The additional tests should verify that the curves of stick force versus load factor with mistrim less than the maximum required do not unacceptably reverse, as illustrated in the upper curve of Figure 2. Control force characteristics as shown in Figure 3, may be considered acceptable, provided that the control sensing does not reverse (see paragraph 3.2)

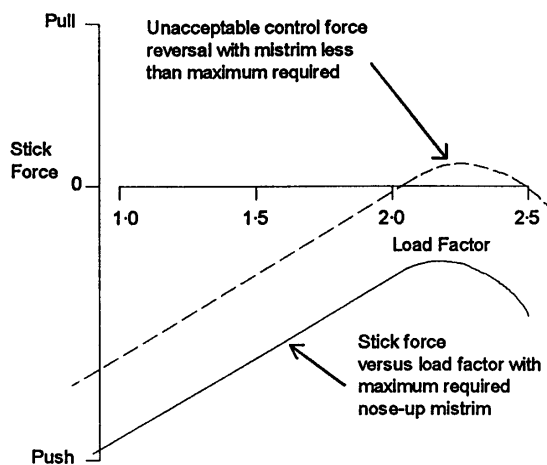


FIGURE 2

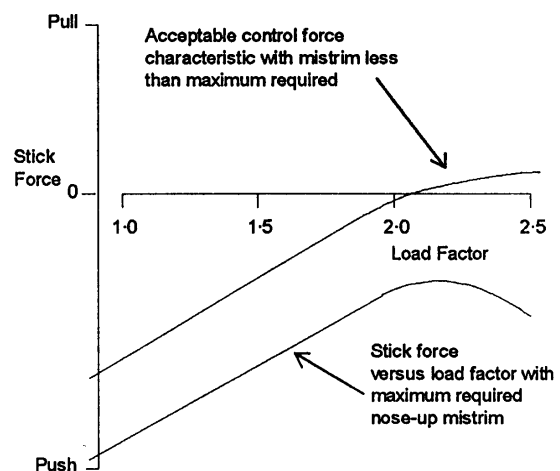


FIGURE 3

CS-25 BOOK 2

4 *Probable Inadvertent Excursions beyond the Boundaries of the Buffet Onset Envelopes.* CS 25.255(e) states that manoeuvring load factors associated with probable inadvertent excursions beyond the boundaries of the buffet onset envelopes determined under CS 25.251(e) need not be exceeded. It is intended that test flights need not be continued beyond a level of buffet which is sufficiently severe that a pilot would be reluctant to apply any further increase in load factor.

5 *Use of the Longitudinal Trim System to Assist Recovery*

5.1 CS 25.255(f) requires the ability to produce at least 1.5 g for recovery from an overspeed condition of V_{DF}/M_{DF} , using either the primary longitudinal control alone or the primary longitudinal control and the longitudinal trim system. Although the longitudinal trim system may be used to assist in producing the required normal acceleration, it is not acceptable for recovery to be completely dependent upon the use of this system. It should be possible to produce 1.2 g by applying not more than 556 N (125 lbf) of longitudinal control force using the primary longitudinal control alone.

5.2 Recovery capability is generally critical at altitudes where airspeed (V_{DF}) is limiting. If at higher altitudes (on the M_{DF} boundary) the manoeuvre capability is limited by buffeting of such an intensity that it is a strong deterrent to further increase in normal acceleration, some reduction of manoeuvre capability will be acceptable, provided that it does not reduce to below 1.3 g. The entry speed for flight test demonstrations of compliance with this requirement should be limited to the extent necessary to accomplish a recovery without exceeding V_{DF}/M_{DF} , and the normal acceleration should be measured as near to V_{DF}/M_{DF} as is practical.

CS-25 BOOK 2**AMC – SUBPART C****AMC No. 1 to CS 25.301(b)****Loads**

The engine and its mounting structure are to be stressed to the loading cases for the aeroplane as a whole.

[Amdt. No.:25/1]

AMC No. 2 to CS 25.301(b)**Flight Load Validation****1. PURPOSE**

This AMC sets forth an acceptable means, but not the only means, of demonstrating compliance with the provisions of CS-25 related to the validation, by flight load measurements, of the methods used for determination of flight load intensities and distributions, for large aeroplanes.

2. RELATED CERTIFICATIONS SPECIFICATIONS

CS 25.301(b) "Loads"

CS 25.459 "Special Devices"

3. BACKGROUND

- (a) CS-25 stipulates a number of load conditions, such as flight loads, ground loads, pressurisation loads, inertia loads and engine/APU loads. CS 25.301 requires methods used to determine load intensities and distributions to be validated by flight load measurements unless the methods used for determining those loading conditions are shown to be reliable. Although this applies to all load conditions of CS-25, the scope of this AMC is limited to flight loads.
- (b) The sizing of the structure of the aircraft generally involves a number of steps and requires detailed knowledge of air loads, mass, stiffness, damping, flight control system characteristics, etc. Each of these steps and items may involve its own validation. The scope of this AMC however is limited to validation of methods used for determination of loads intensities and distributions by flight load measurements.
- (c) By reference to validation of "methods", CS 25.301(b) and this AMC are intended to convey a validation of the complete package of elements involved in the accurate representation of loads, including input data and analytical process. The aim is to demonstrate that the complete package delivers reliable or conservative calculated loads for scenarios relevant to CS-25 flight loads requirements.
- (d) Some measurements may complement (or sometimes even replace) the results from theoretical methods and models. Some flight loads development methods such as those used to develop buffeting loads have very little theoretical foundation, or are methods based directly on flight loads measurements extrapolated to represent limit conditions.

4. NEED FOR AND EXTENT OF FLIGHT LOAD MEASUREMENTS**4.1. General**

- (a) The need for and extent of the flight load measurements has to be discussed and agreed between the Agency and Applicant on a case by case basis. Such an assessment should be based on:
 - a comparison of the design features of the aeroplane under investigation with previously developed (by the Applicant) and approved aeroplanes. New or significantly different design features should be identified and assessed.

CS-25 BOOK 2

- the Applicant's previous experience in validating load intensities and distributions derived from analytical methods and/or wind tunnel tests. This experience should have been accumulated on previously developed (by the Applicant) and approved types and models of aeroplanes. The validation should have been by a flight load measurement program that was conducted by the Applicant and found acceptable to the Agency for showing compliance.
- the sensitivity to parametric variation and continued applicability of the analytical methods and/or wind tunnel test data.

- (b) Products requiring a new type certificate will in general require flight-test validation of flight loads methods unless the Applicant can demonstrate to the Agency that this is unnecessary.

If the configuration under investigation is a similar configuration and size as a previously developed and approved design, the use of analytical methods, such as computational fluid dynamics validated on wind tunnel test results and supported by previous load validation flight test experience, may be sufficient to determine flight loads without further flight test validation.

- (c) Applicants who are making a change to a Type Certificated airplane, but who do not have access to the Type certification flight loads substantiation for that airplane, will be required to develop flight loads analyses, as necessary, to substantiate the change.

In general, the loads analyses will require validation and may require flight test loads measurements, as specified in this AMC.

- (d) The Applicant is encouraged to submit supporting data or test plans for demonstrating the reliability of the flight loads methods early in the certification planning process.

4.2. *New or significantly different design features.*

Examples of new or significantly different design features include, but are not limited to:

- Wing mounted versus fuselage mounted engines;
- Two versus three or more engines;
- Low versus high wing;
- Conventional versus T-tail empennage;
- First use of significant sweep;
- Significant expansion of flight envelope;
- Addition of winglets;
- Significant modification of control surface configuration;
- Significant differences in airfoil shape, size (span, area);
- Significant changes in high lift configurations;
- Significant changes in power plant installation/configuration;
- Large change in the size of the aeroplane.

4.3. *Other considerations*

- (a) Notwithstanding the similarity of the aeroplane or previous load validation flight test experience of the Applicant, the local loads on the following elements are typically unreliably predicted and may require a measurement during flight tests:

- Loads on high lift devices;
- Hinge moments on control surfaces;
- Loads on the empennage due to buffeting;
- Loads on any unusual device.

- (b) For non-deterministic loading conditions, such as stall buffet, the applicant should compile a sufficient number of applicable flight loads measurements to develop a reliable method to predict the appropriate design load.

CS-25 BOOK 2

5. **FLIGHT LOAD MEASUREMENTS**

5.1. *Measurements.*

Flight load measurements (for example, through application of strain gauges, pressure belts, accelerometers) may include:

- Pressures / air loads /net shear, bending and torque on primary aerodynamic surfaces;
- Flight mechanics parameters necessary to correlate the analytical model with flight test results;
- High lift devices loads and positions;
- Primary control surface hinge moments and positions;
- Unsymmetric loads on the empennage (due to roll/yaw manoeuvres and buffeting);
- Local strains or response measurements in cases where load calculations or measurements are indeterminate or unreliable.

5.2. *Variation of parameters.*

The test points for the flight loads measurements should consider the variation of the main parameters affecting the loads under validation. Examples of these parameters include: load factor, speeds, altitude, aircraft c.g., weight and inertia, power settings (thrust, for wing mounted engines), fuel loading, speed brake settings, flap settings and gear conditions (up/down) within the design limits of the aeroplane. The range of variation of these parameters must be sufficient to allow the extrapolation to the design loads conditions. In general, the flight test conditions need not exceed approximately 80% of limit load.

5.3. *Conditions.*

In the conduct of flight load measurements, conditions used to obtain flight loads may include:

- Pitch manoeuvres including wind-up turns, pull-ups and push-downs (e.g. for wing and horizontal stabiliser manoeuvring loads);
- Stall entry or buffet onset boundary conditions (e.g. for horizontal stabiliser buffet loads);
- Yaw manoeuvres including rudder inputs and steady sideslips;
- Roll manoeuvres.

Some flight load conditions are difficult to validate by flight load measurements, simply because the required input (e.g. gust velocity) cannot be accurately controlled or generated. Therefore, these type of conditions need not be flight tested. Also, in general, failures, malfunctions or adverse conditions are not subject to flight tests for the purpose of flight loads validation.

5.4. *Load alleviation.*

When credit has been taken for an active load alleviation function by a particular control system, the effectiveness of this function should be demonstrated as far as practicable by an appropriate flight test program.

6. **RESULTS OF FLIGHT LOAD MEASUREMENTS**

6.1. *Comparison / Correlation.*

Flight loads are not directly measured, but are determined through correlation with measured strains, pressures or accelerations. The load intensities and distributions derived from flight testing should be compared with those obtained from analytical methods. The uncertainties in both the flight testing measurements and subsequent correlation should be carefully considered and compared with the inherent assumptions and capabilities of the process used in analytic derivation of flight loads. Since in most cases the flight test points are not the limit

CS-25 BOOK 2

design load conditions, new analytical load cases need to be generated to match the actual flight test data points.

6.2. Quality of measurements.

Factors which can affect the uncertainty of flight loads resulting from calibrated strain gauges include the effects of temperature, structural non-linearities, establishment of flight/ground zero reference, and large local loads, such as those resulting from the propulsion system installation, landing gear, flap tracks or actuators. The static or dynamic nature of the loading can also affect both strain gauge and pressure measurements.

6.3. Quality of correlation.

A given correlation can provide a more or less reliable estimate of the actual loading condition depending on the "static" or "flexible dynamic" character of the loading action, or on the presence and level of large local loads. The quality of the achieved correlation depends also on the skills and experience of the Applicant in the choice of strain gauge locations and conduct of the calibration test programme.

Useful guidance on the calibration and selection of strain gauge installations in aircraft structures for flight loads measurements can be found, but not exclusively, in the following references:

1. Skopinski, T.H., William S. Aiken, Jr., and Wilbur B. Huston, "Calibration of Strain-Gage Installations in Aircraft Structures for Measurement of Flight Loads", NACA Report 1178, 1954.
2. Sigurd A. Nelson II, "Strain Gage Selection in Loads Equations Using a Genetic Algorithm", NASA Contractor Report 4597 (NASA-13445), October 1994.

6.4. Outcome of comparison / correlation.

Whatever the degree of correlation obtained, the Applicant is expected to be able to justify the elements of the correlation process, including the effects of extrapolation of the actual test conditions to the design load conditions.

If the correlation is poor, and especially if the analysis underpredicts the loads, then the Applicant should review and assess all of the components of the analysis, rather than applying blanket correction factors.

For example:

- (a) If the level of discrepancy varies with the Mach number of the condition, then the Mach corrections need to be evaluated and amended.
- (b) If conditions with speed brakes extended show poorer correlation than clean wing, then the speed brake aerodynamic derivatives and/or spanwise distribution need to be evaluated and amended.

[Amdt. No.:25/1]

AMC 25.307 **Proof of Structure**

1. **PURPOSE**

This AMC establishes methods of compliance with CS 25.307, which specifies the requirements for Proof of Structure.

2. **RELATED CERTIFICATION SPECIFICATIONS**

CS-25 BOOK 2

CS 25.303 "Factor of safety"
 CS 25.305 "Strength and deformation"
 CS 25.651 "Proof of strength"

3. DEFINITIONS

- 3.1. *Detail.* A structural element of a more complex structural member (e.g. joints, splices, stringers, stringer run-outs, or access holes).
- 3.2. *Sub Component.* A major three-dimensional structure which can provide complete structural representation of a section of the full structure (e.g., stub-box, section of a spar, wing panel, wing rib, body panel, or frames).
- 3.3. *Component.* A major section of the airframe structure (e.g., wing, body, fin, horizontal stabiliser) which can be tested as a complete unit to qualify the structure.
- 3.4. *Full Scale.* Dimensions of test article are the same as design; fully representative test specimen (not necessarily complete airframe).
- 3.5. *New Structure.* Structure for which behaviour is not adequately predicted by analysis supported by previous test evidence. Structure that utilises significantly different structural design concepts such as details, geometry, structural arrangements, and load paths or materials from previously tested designs.
- 3.6. *Similar New Structure.* Structure that utilises similar or comparable structural design concepts such as details, geometry, structural arrangements, and load paths concepts and materials to an existing tested design.
- 3.7. *Derivative/Similar Structure.* Structure that uses structural design concepts such as details, geometry, structural arrangements, and load paths, stress levels and materials that are nearly identical to those on which the analytical methods have been validated.
- 3.8. *Previous Test Evidence.* Testing of the original structure that is sufficient to verify structural behaviour in accordance with CS 25.305.

4. INTRODUCTION

As required by subparagraph (a) of CS 25.307, the structure must be shown to comply with the strength and deformation requirements of Subpart C of CS-25. This means that the structure must:

- (a) be able to support limit loads without detrimental permanent deformation, and;
- (b) be able to support ultimate loads without failure.

This implies the need of a comprehensive assessment of the external loads (addressed by CS 25.301), the resulting internal strains and stresses, and the structural allowables.

CS 25.307 requires compliance for each critical loading condition. Compliance can be shown by analysis supported by previous test evidence, analysis supported by new test evidence or by test only. As compliance by test only is impractical in most cases, a large portion of the substantiating data will be based on analysis.

There are a number of standard engineering methods and formulas which are known to produce acceptable, often conservative results especially for structures where load paths are well defined. Those standard methods and formulas, applied with a good understanding of their limitations, are considered reliable analyses when showing compliance with CS 25.307. Conservative assumptions may be considered in assessing whether or not an analysis may be accepted without test substantiation.

The application of methods such as Finite Element Method or engineering formulas to complex structures in modern aircraft is considered reliable only when validated by full scale tests (ground and/or flight tests). Experience relevant to the product in the utilisation of such methods should be considered.

5. CLASSIFICATION OF STRUCTURE

CS-25 BOOK 2

- (a) The structure of the product should be classified into one of the following three categories:
- New Structure
 - Similar New Structure
 - Derivative/Similar Structure
- (b) Justifications should be provided for classifications other than New Structure. Elements that should be considered are :
- (i) The accuracy/conservatism of the analytical methods, and
 - (ii) Comparison of the structure under investigation with previously tested structure.

Considerations should include, but are not limited to the following:

- external loads (bending moment, shear, torque , etc.);
- internal loads (strains, stresses, etc.);
- structural design concepts such as details, geometry, structural arrangements, load paths ;
- materials ;
- test experience (load levels achieved, lessons learned);
- deflections ;
- deformations ;
- extent of extrapolation from test stress levels.

6. NEED AND EXTENT OF TESTING

The following factors should be considered in deciding the need for and the extent of testing including the load levels to be achieved:

- (a) The classification of the structure (as above);
- (b) The consequence of failure of the structure in terms of the overall integrity of the aeroplane;
- (c) The consequence of the failure of interior items of mass and the supporting structure to the safety of the occupants.

Relevant service experience may be included in this evaluation.

7. CERTIFICATION APPROACHES

The following certification approaches may be selected:

- (a) *Analysis, supported by new strength testing of the structure to limit and ultimate load.* This is typically the case for New Structure.

Substantiation of the strength and deformation requirements up to limit and ultimate loads normally requires testing of sub-components, full scale components or full scale tests of assembled components (such as a nearly complete airframe). The entire test program should be considered in detail to assure the requirements for strength and deformation can be met up to limit load levels as well as ultimate load levels.

Sufficient limit load test conditions should be performed to verify that the structure meets the deformation requirements of CS 25.305(a) and to provide validation of internal load distribution and analysis predictions for all critical loading conditions.

Because ultimate load tests often result in significant permanent deformation, choices will have to be made with respect to the load conditions applied. This is usually based on the number of test specimens available, the analytical static strength margins of safety of the structure and the range of supporting detail or sub-component tests. An envelope approach may be taken, where a combination of different load cases is applied, each one critical for a different section of the structure.

These limit and ultimate load tests may be supported by detail and sub-component tests that verify the design allowables (tension, shear, compression) of the structure and often provide some degree of validation for ultimate strength.

CS-25 BOOK 2

- (b) *Analysis validated by previous test evidence and supported with additional limited testing.* This is typically the case for Similar New Structure.

The extent of additional limited testing (number of specimens, load levels, etc.) will depend upon the degree of change, relative to the elements of paragraphs 5(b)(i) and (ii).

For example, if the changes to an existing design and analysis necessitate extensive changes to an existing test-validated finite element model (e.g. different rib spacing) additional testing may be needed. Previous test evidence can be relied upon whenever practical.

These additional limited tests may be further supported by detail and sub-component tests that verify the design allowables (tension, shear, compression) of the structure and often provide some degree of validation for ultimate strength.

- (c) *Analysis, supported by previous test evidence.* This is typically the case for Derivative/ Similar Structure.

Justification should be provided for this approach by demonstrating how the previous static test evidence validates the analysis and supports showing compliance for the structure under investigation. Elements that need to be considered are those defined in paragraphs 5(b)(i) and (ii).

For example, if the changes to the existing design and test-validated analysis are evaluated to assure they are relatively minor and the effects of the changes are well understood, the original tests may provide sufficient validation of the analysis and further testing may not be necessary. For example, if a weight increase results in higher loads along with a corresponding increase in some of the element thickness and fastener sizes, and materials and geometry (overall configuration, spacing of structural members, etc.) remain generally the same, the revised analysis could be considered reliable based on the previous validation.

- (d) *Test only.*

Sometimes no reliable analytical method exists, and testing must be used to show compliance with the strength and deformation requirements. In other cases it may be elected to show compliance solely by tests even if there are acceptable analytical methods. In either case, testing by itself can be used to show compliance with the strength and deformation requirements of CS-25 Subpart C. In such cases, the test load conditions should be selected to assure all critical design loads are encompassed.

If tests only are used to show compliance with the strength and deformation requirements for single load path structure which carries flight loads (including pressurisation loads), the test loads must be increased to account for variability in material properties, as required by CS 25.307(d). In lieu of a rational analysis, for metallic materials, a factor of 1.15 applied to the limit and ultimate flight loads may be used. If the structure has multiple load paths, no material correction factor is required.

8. INTERPRETATION OF DATA

The interpretation of the substantiation analysis and test data requires an extensive review of:

- the representativeness of the loading ;
- the instrumentation data ;
- comparisons with analytical methods ;
- representativeness of the test article(s) ;
- test set-up (fixture, load introductions) ;
- load levels and conditions tested ;
- test results.

Testing is used to validate analytical methods except when showing compliance by test only. If the test results do not correlate with the analysis, the reasons should be identified and appropriate action taken. This should be accomplished whether or not a test article fails below ultimate load.

Should a failure occur below ultimate load, an investigation should be conducted for the product to reveal the cause of this failure. This investigation should include a review of the test specimen and loads, analytical loads, and the structural analysis. This may lead to adjustment in analysis/modelling techniques

CS-25 BOOK 2

and/or part redesign and may result in the need for additional testing. The need for additional testing to ensure ultimate load capability, depends on the degree to which the failure is understood and the analysis can be validated by the test.

[Amdt. No.:25/1]

AMC 25.331(c)(1)**Maximum pitch control displacement at V_A**

The physical limitations of the aircraft from the cockpit pitch control device to the control surface deflection, such as control stops position, maximum power and displacement rate of the servo controls, and control law limiters, may be taken into account.

AMC 25.331(c)(2)**Checked manoeuvre between V_A and V_D**

The physical limitations of the aircraft from the cockpit pitch control device to the control surface deflection, such as control stops position, maximum power and displacement rate of the servo controls, and control law limiters, may be taken into account.

For aeroplanes equipped with electronic flight controls, where the motion of the control surfaces does not bear a direct relationship to the motion of the cockpit control devices, the circular frequency of the movement of the cockpit control 'ω' shall be varied by a reasonable amount to establish the effect of the input period and amplitude on the resulting aeroplane loads. This variation is intended to verify that there is no large and rapid increase in aeroplane loads.

AMC 25.333(b)**Manoeuvring envelope**

For the calculation of structural design speeds, the stalling speeds V_{s0} and V_{s1} should be taken to be the 1-g stalling speeds in the appropriate flap configuration. This structural interpretation of stalling speed should be used in connection with the paragraphs CS 25.333 (b), CS 25.335, CS 25.335(c)(d)(e), CS 25.479(a), and CS 25.481(a)(1).

AMC 25.335(b)(1)(ii)**Design Dive Speed — High speed protection function**

In any failure condition affecting the high speed protection function, the conditions as defined in CS 25.335(b)(1)(ii) still remain applicable.

It implies that a specific value, which may be different from the V_D/M_D value in normal configuration, has to be associated with this failure condition for the definition of loads related to V_D/M_D as well as for the justification to CS 25.629. However, the strength and speed margin required will depend on the probability of this failure condition, according to the criteria of CS 25.302.

Alternatively, the operating speed V_{MO}/M_{MO} may be reduced to a value that maintains a speed margin between V_{MO}/M_{MO} and V_D/M_D that is consistent with showing compliance with CS 25.335(b)(1)(ii) without the benefit of the high speed protection system, provided that:

- (a) Any failure of the high speed protection system that would affect the design dive speed determination is shown to be Remote;
- (b) Failures of the system must be announced to the pilots, and:
- (c) Aeroplane flight manual instructions should be provided that reduce the maximum operating speeds, V_{MO}/M_{MO} .

[Amdt No: 25/13]

AMC 25.335(b)(2)**Design Dive Speed**

CS-25 BOOK 2

1. PURPOSE.

This AMC sets forth an acceptable means, but not the only means, of demonstrating compliance with the provisions of CS-25 related to the minimum speed margin between design cruise speed and design dive speed.

2. RELATED CERTIFICATION SPECIFICATIONS.

CS 25.335 "Design airspeeds".

3. BACKGROUND.

CS 25.335(b) requires the design dive speed, V_D , of the aeroplane to be established so that the design cruise speed is no greater than 0.8 times the design dive speed, or that it be based on an upset criterion initiated at the design cruise speed, V_C . At altitudes where the cruise speed is limited by compressibility effects, CS 25.335(b)(2) requires the margin to be not less than 0.05 Mach. Furthermore, at any altitude, the margin must be great enough to provide for atmospheric variations (such as horizontal gusts and the penetration of jet streams), instrument errors, and production variations. This AMC provides a rational method for considering the atmospheric variations.

4. DESIGN DIVE SPEED MARGIN DUE TO ATMOSPHERIC VARIATIONS.

a. In the absence of evidence supporting alternative criteria, compliance with CS 25.335(b)(2) may be shown by providing a margin between V_C/M_C and V_D/M_D sufficient to provide for the following atmospheric conditions:

(1) Encounter with a Horizontal Gust. The effect of encounters with a substantially head-on gust, assumed to act at the most adverse angle between 30 degrees above and 30 degrees below the flight path, should be considered. The gust velocity should be 15.2 m/s (50 fps) in equivalent airspeed (EAS) at altitudes up to 6096 m (20,000 feet) . At altitudes above 6096 m (20,000 feet) the gust velocity may be reduced linearly from 15.2 m/s (50 fps) in EAS at 6096 m (20,000 feet) to 7.6 m/s (25 fps) in EAS at 15240 m (50,000 feet), above which the gust velocity is considered to be constant. The gust velocity should be assumed to build up in not more than 2 seconds and last for 30 seconds.

(2) Entry into Jetstreams or Regions of High Windshear.

(i) Conditions of horizontal and vertical windshear should be investigated taking into account the windshear data of this paragraph which are world-wide extreme values.

(ii) Horizontal windshear is the rate of change of horizontal wind speed with horizontal distance. Encounters with horizontal windshear change the aeroplane apparent head wind in level flight as the aeroplane traverses into regions of changing wind speed. The horizontal windshear region is assumed to have no significant vertical gradient of wind speed.

(iii) Vertical windshear is the rate of change of horizontal wind speed with altitude. Encounters with windshear change the aeroplane apparent head wind as the aeroplane climbs or descends into regions of changing wind speed. The vertical windshear region changes slowly so that temporal or spatial changes in the vertical windshear gradient are assumed to have no significant affect on an aeroplane in level flight.

(iv) With the aeroplane at V_C/M_C within normal rates of climb and descent, the most extreme condition of windshear that it might encounter, according to available meteorological data, can be expressed as follows:

(A) Horizontal Windshear. The jet stream is assumed to consist of a linear shear of 3.6 KTAS/NM over a distance of 25 NM or of 2.52 KTAS/NM over a distance of 50 NM or of 1.8 KTAS/NM over a distance of 100 NM, whichever is most severe.

(B) Vertical Windshear. The windshear region is assumed to have the most severe of the following characteristics and design values for windshear intensity and height band. As

CS-25 BOOK 2

shown in Figure 1, the total vertical thickness of the windshear region is twice the height band so that the windshear intensity specified in Table 1 applies to a vertical distance equal to the height band above and below the reference altitude. The variation of horizontal wind speed with altitude in the windshear region is linear through the height band from zero at the edge of the region to a strength at the reference altitude determined by the windshear intensity multiplied by the height band. Windshear intensity varies linearly between the reference altitudes in Table 1.

Figure 1 - Windshear Region

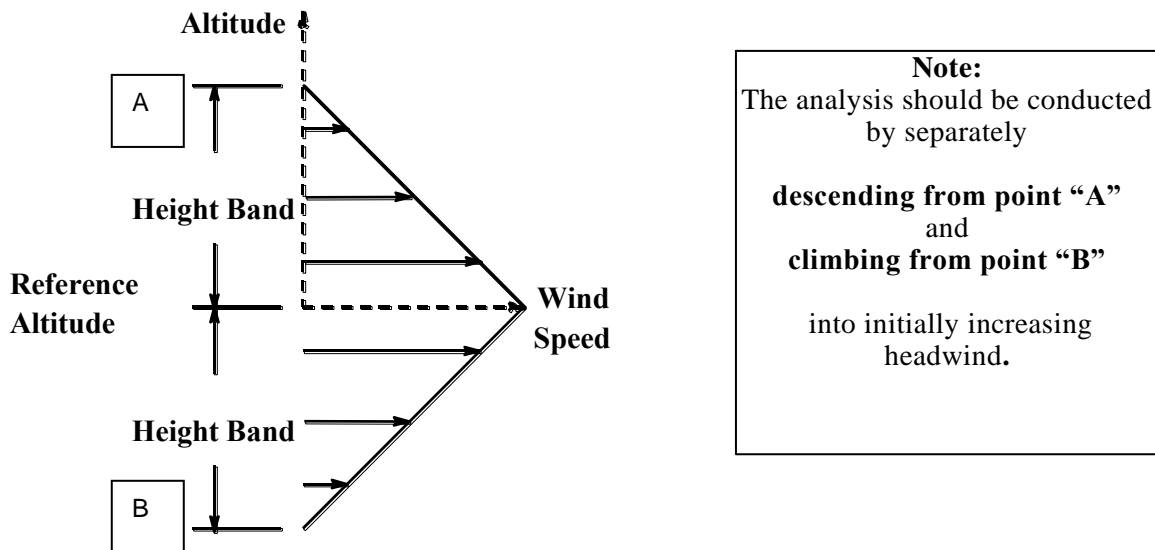


Table 1 - Vertical Windshear Intensity Characteristics

Reference Altitude - Ft.	Height Band - Ft.			
	1000	3000	5000	7000
	Vertical Windshear			
	Units: ft./sec. per foot of height		(KTAS per 1000 feet of height)	
0	0.095 (56.3)	0.05 (29.6)	0.035 (20.7)	0.03 (17.8)
40,000	0.145 (85.9)	0.075 (44.4)	0.055 (32.6)	0.04 (23.7)
45,000	0.265 (157.0)	0.135 (80.0)	0.10 (59.2)	0.075 (44.4)
Above 45,000	0.265 (157.0)	0.135 (80.0)	0.10 (59.2)	0.075 (44.4)
Windshear intensity varies linearly between specified altitudes.				

(v) The entry of the aeroplane into horizontal and vertical windshear should be treated as separate cases. Because the penetration of these large scale phenomena is fairly slow, recovery action by the pilot is usually possible. In the case of manual flight (i.e., when flight is being controlled by inputs made by the pilot), the aeroplane is assumed to maintain constant attitude until at least 3 seconds after the operation of the overspeed warning device, at which time recovery action may be started by using the primary aerodynamic controls and thrust at a normal acceleration of 1.5g, or the maximum available, whichever is lower.

b. At altitudes where speed is limited by Mach number, a speed margin of .07 Mach between M_C and M_D is considered sufficient without further investigation.

[Amdt. No.:25/2]

CS-25 BOOK 2

AMC 25.337

Limit Manoeuvring Load Factors

The load factor boundary of the manoeuvring envelope is defined by CS 25.337(b) and (c). It is recognised that constraints which may limit the aircraft's ability to attain the manoeuvring envelope load factor boundary may be taken into account in the calculation of manoeuvring loads for each unique mass and flight condition, provided that those constraints are adequately substantiated. This substantiation should take account of critical combinations of vertical, rolling and yawing manoeuvres that may be invoked either statically or dynamically within the manoeuvring envelope.

Examples of the aforementioned constraints include aircraft C_{N-max} , mechanical and/or aerodynamic limitations of the pitch control, and limitations defined within any flight control software.

AMC 25.341

Gust and Continuous Turbulence Design Criteria (Acceptable Means of Compliance)

1. PURPOSE.

This AMC sets forth an acceptable means of compliance with the provisions of CS-25 dealing with discrete gust and continuous turbulence dynamic loads.

2. RELATED CERTIFICATION SPECIFICATIONS.

The contents of this AMC are considered by the Agency in determining compliance with the discrete gust and continuous turbulence criteria defined in CS 25.341. Related paragraphs are:

CS 25.343	Design fuel and oil loads
CS 25.345	High lift devices
CS 25.349	Rolling conditions
CS 25.371	Gyroscopic loads
CS 25.373	Speed control devices
CS 25.391	Control surface loads
CS 25.427	Unsymmetrical loads
CS 25 445	Auxiliary aerodynamic surfaces
CS 25.571	Damage-tolerance and fatigue evaluation of structure

Reference should also be made to the following CS paragraphs: CS 25.301, CS 25.302, CS 25.303, CS 25.305, CS 25.321, CS 25.335, CS 25.1517.

3. OVERVIEW.

This AMC addresses both discrete gust and continuous turbulence (or continuous gust) requirements of CS-25. It provides some of the acceptable methods of modelling aeroplanes, aeroplane components, and configurations, and the validation of those modelling methods for the purpose of determining the response of the aeroplane to encounters with gusts.

How the various aeroplane modelling parameters are treated in the dynamic analysis can have a large influence on design load levels. The basic elements to be modelled in the analysis are the elastic, inertial, aerodynamic and control system characteristics of the complete, coupled aeroplane (Figure 1). The degree of sophistication and detail required in the modelling depends on the complexity of the aeroplane and its systems.

CS-25 BOOK 2

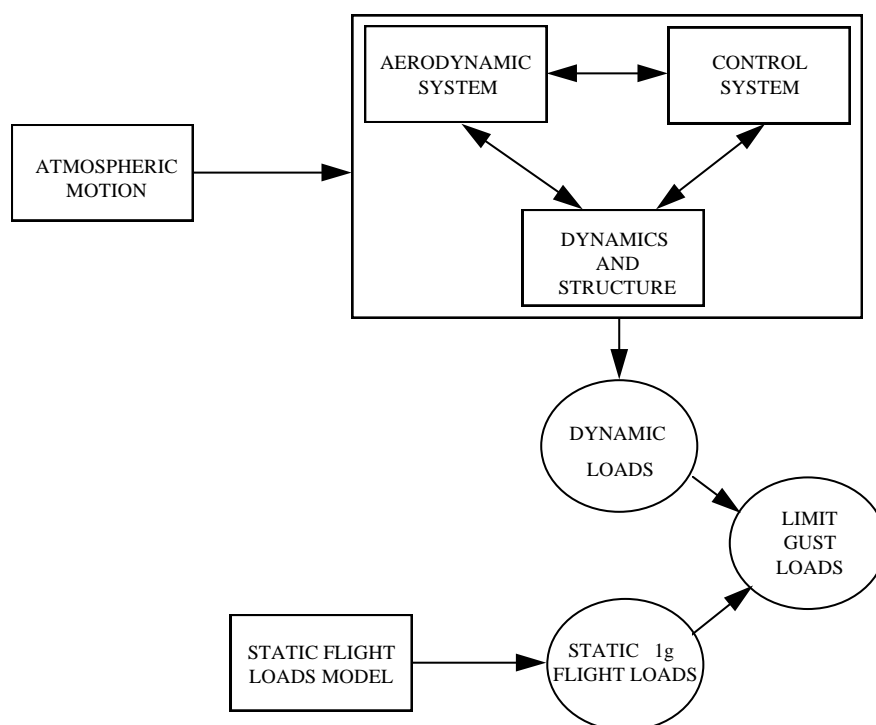


Figure 1 Basic Elements of the Gust Response Analysis

Design loads for encounters with gusts are a combination of the steady level 1-g flight loads, and the gust incremental loads including the dynamic response of the aeroplane. The steady 1-g flight loads can be realistically defined by the basic external parameters such as speed, altitude, weight and fuel load. They can be determined using static aeroelastic methods.

The gust incremental loads result from the interaction of atmospheric turbulence and aeroplane rigid body and elastic motions. They may be calculated using linear analysis methods when the aeroplane and its flight control systems are reasonably or conservatively approximated by linear analysis models.

Non-linear solution methods are necessary for aeroplane and flight control systems that are not reasonably or conservatively represented by linear analysis models. Non-linear features generally raise the level of complexity, particularly for the continuous turbulence analysis, because they often require that the solutions be carried out in the time domain.

The modelling parameters discussed in the following paragraphs include:

- Design conditions and associated steady, level 1-g flight conditions.
- The discrete and continuous gust models of atmospheric turbulence.
- Detailed representation of the aeroplane system including structural dynamics, aerodynamics, and control system modelling.
- Solution of the equations of motion and the extraction of response loads.
- Considerations for non-linear aeroplane systems.
- Analytical model validation techniques.

CS-25 BOOK 2

4. DESIGN CONDITIONS₂

- a. General. Analyses should be conducted to determine gust response loads for the aeroplane throughout its design envelope, where the design envelope is taken to include, for example, all appropriate combinations of aeroplane configuration, weight, centre of gravity, payload, fuel load, thrust, speed, and altitude.
- b. Steady Level 1-g Flight Loads. The total design load is made up of static and dynamic load components. In calculating the static component, the aeroplane is assumed to be in trimmed steady level flight, either as the initial condition for the discrete gust evaluation or as the mean flight condition for the continuous turbulence evaluation. Static aeroelastic effects should be taken into account if significant.

To ensure that the maximum total load on each part of the aeroplane is obtained, the associated steady-state conditions should be chosen in such a way as to reasonably envelope the range of possible steady-state conditions that could be achieved in that flight condition. Typically, this would include consideration of effects such as speed brakes, power settings between zero thrust and the maximum for the flight condition, etc.

- c. Dynamic Response Loads. The incremental loads from the dynamic gust solution are superimposed on the associated steady level flight 1-g loads. Load responses in both positive and negative senses should be assumed in calculating total gust response loads. Generally the effects of speed brakes, flaps, or other drag or high lift devices, while they should be included in the steady-state condition, may be neglected in the calculation of incremental loads.
- d. Damage Tolerance Conditions. Limit gust loads, treated as ultimate, need to be developed for the structural failure conditions considered under CS 25.571(b). Generally, for redundant structures, significant changes in stiffness or geometry do not occur for the types of damage under consideration. As a result, the limit gust load values obtained for the undamaged aircraft may be used and applied to the failed structure. However, when structural failures of the types considered under CS 25.571(b) cause significant changes in stiffness or geometry, or both, these changes should be taken into account when calculating limit gust loads for the damaged structure.

5. GUST MODEL CONSIDERATIONS₂

- a. General. The gust criteria presented in CS 25.341 consist of two models of atmospheric turbulence, a discrete model and a continuous turbulence model. It is beyond the scope of this AMC to review the historical development of these models and their associated parameters. This AMC focuses on the application of those gust criteria to establish design limit loads. The discrete gust model is used to represent single discrete extreme turbulence events. The continuous turbulence model represents longer duration turbulence encounters which excite lightly damped modes. Dynamic loads for both atmospheric models must be considered in the structural design of the aeroplane.
- b. Discrete Gust Model
 - (1) Atmosphere. The atmosphere is assumed to be one dimensional with the gust velocity acting normal (either vertically or laterally) to the direction of aeroplane travel. The one-dimensional assumption constrains the instantaneous vertical or lateral gust velocities to be the same at all points in planes normal to the direction of aeroplane travel. Design level discrete gusts are assumed to have 1-cosine velocity profiles. The maximum velocity for a discrete gust is calculated using a reference gust velocity, U_{ref} , a flight profile alleviation factor, F_g , and an expression which modifies the maximum velocity as a function of the gust gradient distance, H . These parameters are discussed further below.

CS-25 BOOK 2

- (A) Reference Gust Velocity, U_{ref} - Derived effective gust velocities representing gusts occurring once in 70,000 flight hours are the basis for design gust velocities. These reference velocities are specified as a function of altitude in CS 25.341(a)(5) and are given in terms of feet per second equivalent airspeed for a gust gradient distance, H , of 107 m (350 ft).
- (B) Flight Profile Alleviation Factor, F_g - The reference gust velocity, U_{ref} , is a measure of turbulence intensity as a function of altitude. In defining the value of U_{ref} at each altitude, it is assumed that the aircraft is flown 100% of the time at that altitude. The factor F_g is then applied to account for the expected service experience in terms of the probability of the aeroplane flying at any given altitude within its certification altitude range. F_g is a minimum value at sea level, linearly increasing to 1.0 at the certified maximum altitude. The expression for F_g is given in CS 25.341(a)(6).
- (C) Gust Gradient Distance, H - The gust gradient distance is that distance over which the gust velocity increases to a maximum value. Its value is specified as ranging from 9.1 to 107 m (30 to 350 ft). (It should be noted that if 12.5 times the mean geometric chord of the aeroplane's wing exceeds 350 ft, consideration should be given to covering increased maximum gust gradient distances.)
- (D) Design Gust Velocity, U_{ds} - Maximum velocities for design gusts are proportional to the sixth root of the gust gradient distance, H . The maximum gust velocity for a given gust is then defined as:

$$U_{ds} = U_{ref} F_g (H/350)^{(1/6)}$$

The maximum design gust velocity envelope, U_{ds} , and example design gust velocity profiles are illustrated in Figure 2.

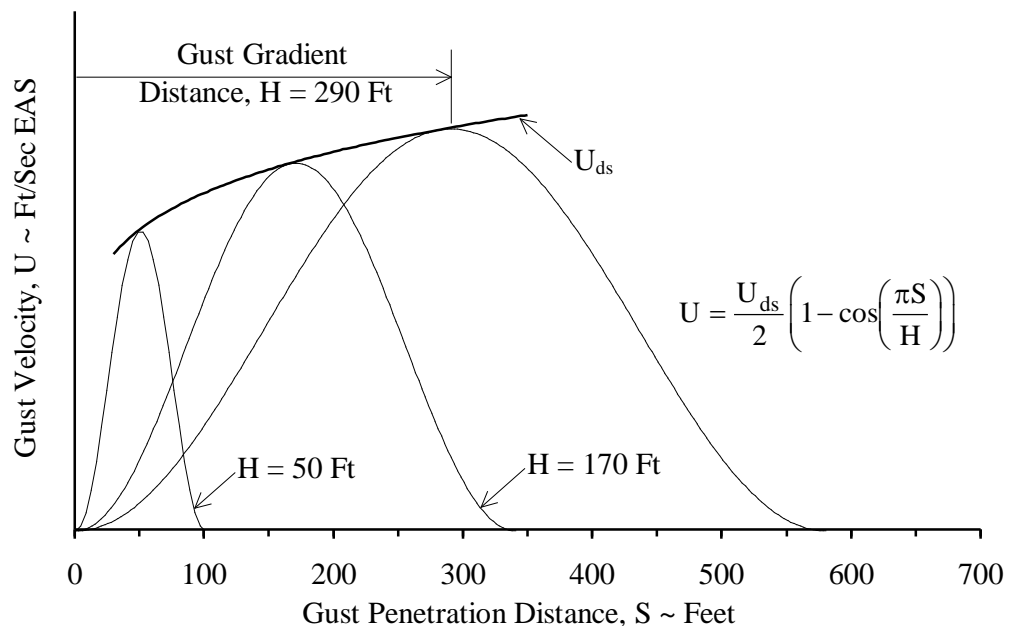


Figure-2 Typical (1-cosine) Design Gust Velocity Profiles

- (2) Discrete Gust Response. The solution for discrete gust response time histories can be achieved by a number of techniques. These include the explicit integration of the

CS-25 BOOK 2

aeroplane equations of motion in the time domain, and frequency domain solutions utilising Fourier transform techniques. These are discussed further in Paragraph 7.0 of this AMC.

Maximum incremental loads, P_{ii} , are identified by the peak values selected from time histories arising from a series of separate, 1-cosine shaped gusts having gradient distances ranging from 9.1 to 107 m (30 to 350 ft). Input gust profiles should cover this gradient distance range in sufficiently small increments to determine peak loads and responses. Historically 10 to 20 gradient distances have been found to be acceptable. Both positive and negative gust velocities should be assumed in calculating total gust response loads. It should be noted that in some cases, the peak incremental loads can occur well after the prescribed gust velocity has returned to zero. In such cases, the gust response calculation should be run for sufficient additional time to ensure that the critical incremental loads are achieved.

The design limit load, P_{Li} , corresponding to the maximum incremental load, P_{ii} for a given load quantity is then defined as:

$$P_{Li} = P_{(1-g)i} \pm P_{ii}$$

Where $P_{(1-g)i}$ is the 1-g steady load for the load quantity under consideration. The set of time correlated design loads, P_{Lj} , corresponding to the peak value of the load quantity, P_{Li} , are calculated for the same instant in time using the expression:

$$P_{Lj} = P_{(1-g)i} \pm P_{ij}$$

Note that in the case of a non-linear aircraft, maximum positive incremental loads may differ from maximum negative incremental loads.

When calculating stresses which depend on a combination of external loads it may be necessary to consider time correlated load sets at time instants other than those which result in peaks for individual external load quantities.

- (3) Round-The-Clock Gust. When the effect of combined vertical and lateral gusts on aeroplane components is significant, then round-the-clock analysis should be conducted on these components and supporting structures. The vertical and lateral components of the gust are assumed to have the same gust gradient distance, H and to start at the same time. Components that should be considered include horizontal tail surfaces having appreciable dihedral or anhedral (i.e., greater than 10°), or components supported by other lifting surfaces, for example T-tails, outboard fins and winglets. Whilst the round-the-clock load assessment may be limited to just the components under consideration, the loads themselves should be calculated from a whole aeroplane dynamic analysis.

The round-the-clock gust model assumes that discrete gusts may act at any angle normal to the flight path of the aeroplane. Lateral and vertical gust components are correlated since the round-the-clock gust is a single discrete event. For a linear aeroplane system, the loads due to a gust applied from a direction intermediate to the vertical and lateral directions - the round-the-clock gust loads - can be obtained using a linear combination of the load time histories induced from pure vertical and pure lateral gusts. The resultant incremental design value for a particular load of interest is obtained by determining the round-the-clock gust angle and gust length giving the largest (tuned) response value for that load. The design limit load is then obtained using the expression for P_L given above in paragraph 5(b)(2).

- (4) Supplementary Gust Conditions for Wing Mounted Engines.

CS-25 BOOK 2

- (A) Atmosphere - For aircraft equipped with wing mounted engines, CS 25.341(c) requires that engine mounts, pylons and wing supporting structure be designed to meet a round-the-clock discrete gust requirement and a multi-axis discrete gust requirement.

The model of the atmosphere and the method for calculating response loads for the round-the-clock gust requirement is the same as that described in Paragraph 5(b)(3) of this AMC.

For the multi-axis gust requirement, the model of the atmosphere consists of two independent discrete gust components, one vertical and one lateral, having amplitudes such that the overall probability of the combined gust pair is the same as that of a single discrete gust as defined by CS 25.341(a) as described in Paragraph 5(b)(1) of this AMC. To achieve this equal-probability condition, in addition to the reductions in gust amplitudes that would be applicable if the input were a multi-axis Gaussian process, a further factor of 0.85 is incorporated into the gust amplitudes to account for non-Gaussian properties of severe discrete gusts. This factor was derived from severe gust data obtained by a research aircraft specially instrumented to measure vertical and lateral gust components. This information is contained in Stirling Dynamics Laboratories Report No SDL -571-TR-2 dated May 1999.

- (B) Multi-Axis Gust Response - For a particular aircraft flight condition, the calculation of a specific response load requires that the amplitudes, and the time phasing, of the two gust components be chosen, subject to the condition on overall probability specified in (A) above, such that the resulting combined load is maximised. For loads calculated using a linear aircraft model, the response load may be based upon the separately tuned vertical and lateral discrete gust responses for that load, each calculated as described in Paragraph 5(b)(2) of this AMC. In general, the vertical and lateral tuned gust lengths and the times to maximum response (measured from the onset of each gust) will not be the same.

Denote the independently tuned vertical and lateral incremental responses for a particular aircraft flight condition and load quantity i by L_{Vi} and L_{Li} , respectively. The associated multi-axis gust input is obtained by multiplying the amplitudes of the independently-tuned vertical and lateral discrete gusts, obtained as described in the previous paragraph, by $0.85 \cdot L_{Vi} / \sqrt{(L_{Vi}^2 + L_{Li}^2)}$ and $0.85 \cdot L_{Li} / \sqrt{(L_{Vi}^2 + L_{Li}^2)}$ respectively. The time-phasing of the two scaled gust components is such that their associated peak loads occur at the same instant.

The combined incremental response load is given by:

$$P_{ii} = 0.85 \sqrt{(L_{Vi}^2 + L_{Li}^2)}$$

and the design limit load, P_{Li} , corresponding to the maximum incremental load, P_{ii} , for the given load quantity i is then given by:

$$P_{Li} = P_{(1-g)i} \pm P_{ii}$$

where $P_{(1-g)i}$ is the 1-g steady load for the load quantity under consideration.

The incremental, time correlated loads corresponding to the specific flight condition under consideration are obtained from the independently-tuned vertical and lateral gust inputs for load quantity i . The vertical and lateral gust amplitudes are factored by $0.85 \cdot L_{Vi} / \sqrt{(L_{Vi}^2 + L_{Li}^2)}$ and $0.85 \cdot L_{Li} / \sqrt{(L_{Vi}^2 + L_{Li}^2)}$ respectively. Loads L_{Vj} and L_{Lj} resulting from these reduced vertical and lateral gust inputs, at the time when the amplitude of load quantity i is at a maximum value, are added to yield the multi-axis incremental time-correlated value P_{ij} for load quantity j .

The set of time correlated design loads, P_{Lj} , corresponding to the peak value of the load quantity, P_{Li} , are obtained using the expression:

CS-25 BOOK 2

$$P_{Lj} = P_{(1-g)_j} \pm P_{lj}$$

Note that with significant non-linearities, maximum positive incremental loads may differ from maximum negative incremental loads.

c. Continuous Turbulence Model.

- (1) Atmosphere. The atmosphere for the determination of continuous gust responses is assumed to be one dimensional with the gust velocity acting normal (either vertically or laterally) to the direction of aeroplane travel. The one-dimensional assumption constrains the instantaneous vertical or lateral gust velocities to be the same at all points in planes normal to the direction of aeroplane travel.

The random atmosphere is assumed to have a Gaussian distribution of gust velocity intensities and a Von Kármán power spectral density with a scale of turbulence, L , equal to 2500 feet. The expression for the Von Kármán spectrum for unit, root-mean-square (RMS) gust intensity, $\Phi_I(\Omega)$, is given below. In this expression $\Omega = \omega/V$, where ω is the circular frequency in radians per second, and V is the aeroplane velocity in feet per second true airspeed.

$$\Phi_I(\Omega) = \frac{L}{\pi} \frac{1 + \frac{8}{3}(1.339\Omega L)^2}{[1 + (1.339\Omega L)^2]^{11/6}}$$

The Von Kármán power spectrum for unit RMS gust intensity is illustrated in Figure 3.

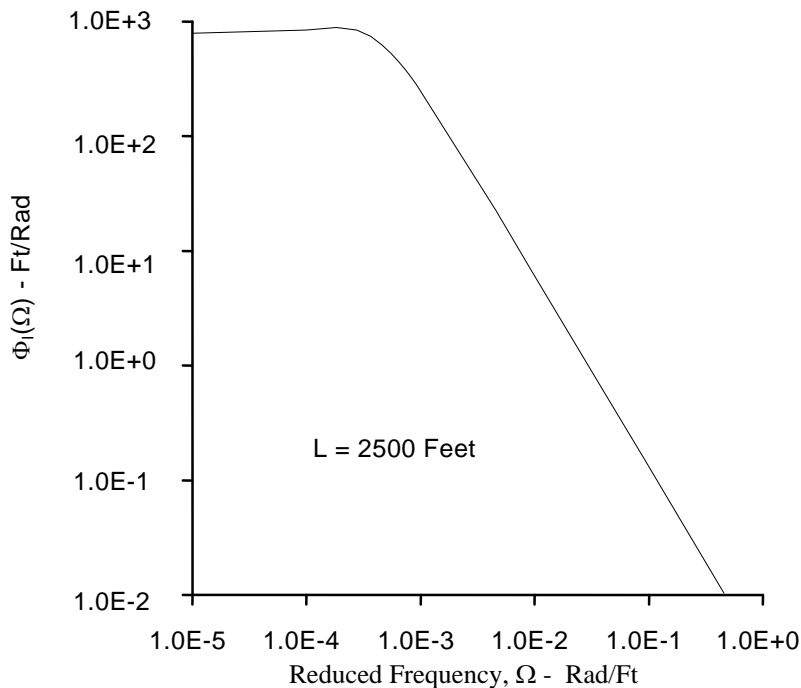


Figure-3 The Von Kármán Power Spectral Density Function, $\Phi_I(\Omega)$

The design gust velocity, U_{σ} , applied in the analysis is given by the product of the reference gust velocity, $U_{\sigma ref}$, and the profile alleviation factor, F_g , as follows:

CS-25 BOOK 2

$$U_{\sigma} = U_{\sigma\text{ref}} F_g$$

where values for $U_{\sigma\text{ref}}$, are specified in CS 25.341(b)(3) in meters per second (feet per second) true airspeed and F_g is defined in CS 25.341(a)(6). The value of F_g is based on aeroplane design parameters and is a minimum value at sea level, linearly increasing to 1.0 at the certified maximum design altitude. It is identical to that used in the discrete gust analysis.

As for the discrete gust analysis, the reference continuous turbulence gust intensity, $U_{\sigma\text{ref}}$, defines the design value of the associated gust field at each altitude. In defining the value of $U_{\sigma\text{ref}}$ at each altitude, it is assumed that the aeroplane is flown 100% of the time at that altitude. The factor F_g is then applied to account for the probability of the aeroplane flying at any given altitude during its service lifetime.

It should be noted that the reference gust velocity is comprised of two components, a root-mean-square (RMS) gust intensity and a peak to RMS ratio. The separation of these components is not defined and is not required for the linear aeroplane analysis. Guidance is provided in Paragraph 8.d. of this AMC for generating a RMS gust intensity for a non-linear simulation.

- (2) Continuous Turbulence Response. For linear aeroplane systems, the solution for the response to continuous turbulence may be performed entirely in the frequency domain, using the RMS response. \bar{A}_i is defined in CS 25.341(b)(2) and is repeated here in modified notation for load quantity i , where:

$$\bar{A}_i = \left[\int_0^{\infty} |h_i(\Omega)|^2 \phi_I(\Omega) d\Omega \right]^{1/2}$$

or

$$\bar{A}_i = \left[\int_0^{\infty} \phi_I(\Omega) h_i(i\Omega) h_i^*(i\Omega) d\Omega \right]^{1/2}$$

In the above expression $\phi_I(\Omega)$ is the input Von Kármán power spectrum of the turbulence and is defined in Paragraph 5.c.(1) of this AMC, $h_i(i\Omega)$ is the transfer function relating the output load quantity, i , to a unit, harmonically oscillating, one-dimensional gust field, and the asterisk superscript denotes the complex conjugate. When evaluating \bar{A}_i , the integration should be continued until a converged value is achieved since, realistically, the integration to infinity may be impractical. The design limit load, P_{Li} , is then defined as:

$$\begin{aligned} P_{Li} &= P_{(1-g)i} \pm P_{li} \\ &= P_{(1-g)i} \pm U_{\sigma} \bar{A}_i \end{aligned}$$

where U_{σ} is defined in Paragraph 5.c.(1) of this AMC, and $P_{(1-g)i}$ is the 1-g steady state value for the load quantity, i , under consideration. As indicated by the formula, both positive and negative load responses should be considered when calculating limit loads.

Correlated (or equiprobable) loads can be developed using cross-correlation coefficients, ρ_{ij} , computed as follows:

CS-25 BOOK 2

$$\rho_{ij} = \frac{\int_0^{\infty} \phi_I(\Omega) \text{real}[h_i(i\Omega)h_j^*(i\Omega)] d\Omega}{\bar{A}_i \bar{A}_j}$$

where, 'real[...]' denotes the real part of the complex function contained within the brackets. In this equation, the lowercase subscripts, i and j, denote the responses being correlated. A set of design loads, P_{Lj} , correlated to the design limit load P_{Li} , are then calculated as follows:

$$P_{Lj} = P_{(1-g)j} \pm U_{\sigma} \rho_{ij} \bar{A}_j$$

The correlated load sets calculated in the foregoing manner provide balanced load distributions corresponding to the maximum value of the response for each external load quantity, i, calculated.

When calculating stresses, the foregoing load distributions may not yield critical design values because critical stress values may depend on a combination of external loads. In these cases, a more general application of the correlation coefficient method is required. For example, when the value of stress depends on two externally applied loads, such as torsion and shear, the equiprobable relationship between the two parameters forms an ellipse as illustrated in Figure 4.

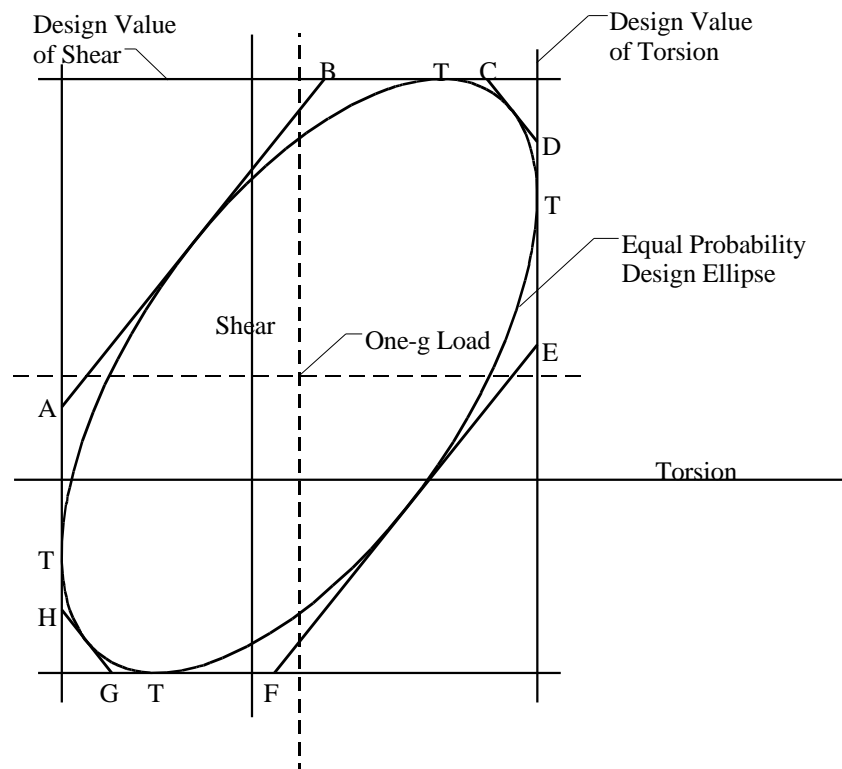


Figure-4 Equal Probability Design Ellipse

In this figure, the points of tangency, T, correspond to the expressions for correlated load pairs given by the foregoing expressions. A practical additional set of equiprobable load pairs that should be considered to establish critical design stresses are given by the points of tangency to the ellipse by lines AB, CD, EF and GH. These additional load pairs are given by the following expressions (where i = torsion and j = shear):

CS-25 BOOK 2

For tangents to lines AB and EF

$$\begin{aligned} P_{Li} &= P_{(1-g)i} +/\bar{A}_i U_{\sigma} [(1 - \rho_{ij})/2]^{1/2} \\ \text{and } P_{Lj} &= P_{(1-g)j} -/+ A_j U_{\sigma} [(1 - \rho_{ij})/2]^{1/2} \end{aligned}$$

For tangents to lines CD and GH

$$\begin{aligned} P_{Li} &= P_{(1-g)i} \pm \bar{A}_i U_{\sigma} [(1 + \rho_{ij})/2]^{1/2} \\ \text{and } P_{Lj} &= P_{(1-g)j} \pm A_j U_{\sigma} [(1 + \rho_{ij})/2]^{1/2} \end{aligned}$$

All correlated or equiprobable loads developed using correlation coefficients will provide balanced load distributions.

A more comprehensive approach for calculating critical design stresses that depend on a combination of external load quantities is to evaluate directly the transfer function for the stress quantity of interest from which can be calculated the gust response function, the value for RMS response, \bar{A} , and the design stress values $P_{(1-g)} \pm U_{\sigma} \bar{A}$.

6. AEROPLANE MODELLING CONSIDERATIONS

- a. General. The procedures presented in this paragraph generally apply for aeroplanes having aerodynamic and structural properties and flight control systems that may be reasonably or conservatively approximated using linear analysis methods for calculating limit load. Additional guidance material is presented in Paragraph 8 of this AMC for aeroplanes having properties and/or systems not reasonably or conservatively approximated by linear analysis methods.
- b. Structural Dynamic Model. The model should include both rigid body and flexible aeroplane degrees of freedom. If a modal approach is used, the structural dynamic model should include a sufficient number of flexible aeroplane modes to ensure both convergence of the modal superposition procedure and that responses from high frequency excitations are properly represented.

Most forms of structural modelling can be classified into two main categories: (1) the so-called "stick model" characterised by beams with lumped masses distributed along their lengths, and (2) finite element models in which all major structural components (frames, ribs, stringers, skins) are represented with mass properties defined at grid points. Regardless of the approach taken for the structural modelling, a minimum acceptable level of sophistication, consistent with configuration complexity, is necessary to represent satisfactorily the critical modes of deformation of the primary structure and control surfaces. Results from the models should be compared to test data as outlined in Paragraph 9.b. of this AMC in order to validate the accuracy of the model.

- c. Structural Damping. Structural dynamic models may include damping properties in addition to representations of mass and stiffness distributions. In the absence of better information it will normally be acceptable to assume 0.03 (i.e. 1.5% equivalent critical viscous damping) for all flexible modes. Structural damping may be increased over the 0.03 value to be consistent with the high structural response levels caused by extreme gust intensity, provided justification is given.
- d. Gust and Motion Response Aerodynamic Modelling. Aerodynamic forces included in the analysis are produced by both the gust velocity directly, and by the aeroplane response.

Aerodynamic modelling for dynamic gust response analyses requires the use of unsteady two-dimensional or three-dimensional panel theory methods for incompressible or compressible flow. The choice of the appropriate technique depends on the complexity of the aerodynamic configuration, the dynamic motion of the surfaces under investigation and the flight speed envelope of the aeroplane. Generally, three-dimensional panel methods achieve better

CS-25 BOOK 2

modelling of the aerodynamic interference between lifting surfaces. The model should have a sufficient number of aerodynamic degrees of freedom to properly represent the steady and unsteady aerodynamic distributions under consideration.

The build-up of unsteady aerodynamic forces should be represented. In two-dimensional unsteady analysis this may be achieved in either the frequency domain or the time domain through the application of oscillatory or indicial lift functions, respectively. Where three-dimensional panel aerodynamic theories are to be applied in the time domain (e.g. for non-linear gust solutions), an approach such as the 'rational function approximation' method may be employed to transform frequency domain aerodynamics into the time domain.

Oscillatory lift functions due to gust velocity or aeroplane response depend on the reduced frequency parameter, k . The maximum reduced frequency used in the generation of the unsteady aerodynamics should include the highest frequency of gust excitation and the highest structural frequency under consideration. Time lags representing the effect of the gradual penetration of the gust field by the aeroplane should also be accounted for in the build-up of lift due to gust velocity.

The aerodynamic modelling should be supported by tests or previous experience as indicated in Paragraph 9.d. of this AMC. Primary lifting and control surface distributed aerodynamic data are commonly adjusted by weighting factors in the dynamic gust response analyses. The weighting factors for steady flow ($k = 0$) may be obtained by comparing wind tunnel test results with theoretical data. The correction of the aerodynamic forces should also ensure that the rigid body motion of the aeroplane is accurately represented in order to provide satisfactory short period and Dutch roll frequencies and damping ratios. Corrections to primary surface aerodynamic loading due to control surface deflection should be considered. Special attention should also be given to control surface hinge moments and to fuselage and nacelle aerodynamics because viscous and other effects may require more extensive adjustments to the theoretical coefficients. Aerodynamic gust forces should reflect weighting factor adjustments performed on the steady or unsteady motion response aerodynamics.

- e. Gyroscopic Loads. As specified in CS 25.371, the structure supporting the engines and the auxiliary power units should be designed for the gyroscopic loads induced by both discrete gusts and continuous turbulence. The gyroscopic loads for turbopropellers and turbofans may be calculated as an integral part of the solution process by including the gyroscopic terms in the equations of motion or the gyroscopic loads can be superimposed after the solution of the equations of motion. Propeller and fan gyroscopic coupling forces (due to rotational direction) between symmetric and antisymmetric modes need not be taken into account if the coupling forces are shown to be negligible.

The gyroscopic loads used in this analysis should be determined with the engine or auxiliary power units at maximum continuous rpm. The mass polar moment of inertia used in calculating gyroscopic inertia terms should include the mass polar moments of inertia of all significant rotating parts taking into account their respective rotational gearing ratios and directions of rotation.

- f. Control Systems. Gust analyses of the basic configuration should include simulation of any control system for which interaction may exist with the rigid body response, structural dynamic response or external loads. If possible, these control systems should be uncoupled such that the systems which affect "symmetric flight" are included in the vertical gust analysis and those which affect "antisymmetric flight" are included in the lateral gust analysis.

The control systems considered should include all relevant modes of operation. Failure conditions should also be analysed for any control system which influences the design loads in accordance with CS 25.302 and Appendix K.

The control systems included in the gust analysis may be assumed to be linear if the impact of the non-linearity is negligible, or if it can be shown by analysis on a similar aeroplane/control

CS-25 BOOK 2

system that a linear control law representation is conservative. If the control system is significantly non-linear, and a conservative linear approximation to the control system cannot be developed, then the effect of the control system on the aeroplane responses should be evaluated in accordance with Paragraph 8. of this AMC.

- g. **Stability.** Solutions of the equations of motion for either discrete gusts or continuous turbulence require the dynamic model be stable. This applies for all modes, except possibly for very low frequency modes which do not affect load responses, such as the phugoid mode. (Note that the short period and Dutch roll modes do affect load responses). A stability check should be performed for the dynamic model using conventional stability criteria appropriate for the linear or non-linear system in question, and adjustments should be made to the dynamic model, as required, to achieve appropriate frequency and damping characteristics.

If control system models are to be included in the gust analysis it is advisable to check that the following characteristics are acceptable and are representative of the aeroplane:

- static margin of the unaugmented aeroplane
- dynamic stability of the unaugmented aeroplane
- the static aeroelastic effectiveness of all control surfaces utilised by any feed-back control system
- gain and phase margins of any feedback control system coupled with the aeroplane rigid body and flexible modes
- the aeroelastic flutter and divergence margins of the unaugmented aeroplane, and also for any feedback control system coupled with the aeroplane.

7. DYNAMIC LOADS

- a. **General.** This paragraph describes methods for formulating and solving the aeroplane equations of motion and extracting dynamic loads from the aeroplane response. The aeroplane equations of motion are solved in either physical or modal co-ordinates and include all terms important in the loads calculation including stiffness, damping, mass, and aerodynamic forces due to both aeroplane motions and gust excitation. Generally the aircraft equations are solved in modal co-ordinates. For the purposes of describing the solution of these equations in the remainder of this AMC, modal co-ordinates will be assumed. A sufficient number of modal co-ordinates should be included to ensure that the loads extracted provide converged values.
- b. **Solution of the Equations of Motion.** Solution of the equations of motion can be achieved through a number of techniques. For the continuous turbulence analysis, the equations of motion are generally solved in the frequency domain. Transfer functions which relate the output response quantity to an input harmonically oscillating gust field are generated and these transfer functions are used (in Paragraph 5.c. of this AMC) to generate the RMS value of the output response quantity.

There are two primary approaches used to generate the output time histories for the discrete gust analysis; (1) by explicit integration of the aeroplane equations of motion in the time domain, and (2) by frequency domain solutions which can utilise Fourier transform techniques.

- c. **Extraction of Loads and Responses.** The output quantities that may be extracted from a gust response analysis include displacements, velocities and accelerations at structural locations; load quantities such as shears, bending moments and torques on structural components; and stresses and shear flows in structural components. The calculation of the physical responses is given by a modal superposition of the displacements, velocities and accelerations of the rigid and elastic modes of vibration of the aeroplane structure. The number of modes carried in the summation should be sufficient to ensure converged results.

A variety of methods may be used to obtain physical structural loads from a solution of the modal equations of motion governing gust response. These include the Mode Displacement method, the Mode Acceleration method, and the Force Summation method. All three methods are capable of providing a balanced set of aeroplane loads. If an infinite number of modes can be considered in the analysis, the three will lead to essentially identical results.

CS-25 BOOK 2

The Mode Displacement method is the simplest. In this method, total dynamic loads are calculated from the structural deformations produced by the gust using modal superposition. Specifically, the contribution of a given mode is equal to the product of the load associated with the normalised deformed shape of that mode and the value of the displacement response given by the associated modal co-ordinate. For converged results, the Mode Displacement method may need a significantly larger number of modal co-ordinates than the other two methods.

In the Mode Acceleration method, the dynamic load response is composed of a static part and a dynamic part. The static part is determined by conventional static analysis (including rigid body "inertia relief"), with the externally applied gust loads treated as static loads. The dynamic part is computed by the superposition of appropriate modal quantities, and is a function of the number of modes carried in the solution. The quantities to be superimposed involve both motion response forces and acceleration responses (thus giving this method its name). Since the static part is determined completely and independently of the number of normal modes carried, adequate accuracy may be achieved with fewer modes than would be needed in the Mode Displacement method.

The Force Summation method is the most laborious and the most intuitive. In this method, physical displacements, velocities and accelerations are first computed by superposition of the modal responses. These are then used to determine the physical inertia forces and other motion dependent forces. Finally, these forces are added to the externally applied forces to give the total dynamic loads acting on the structure.

If balanced aeroplane load distributions are needed from the discrete gust analysis, they may be determined using time correlated solution results. Similarly, as explained in Paragraph 5.c of this AMC, if balanced aeroplane load distributions are needed from the continuous turbulence analysis, they may be determined from equiprobable solution results obtained using cross-correlation coefficients.

8. **NONLINEAR CONSIDERATIONS**

- a. General. Any structural, aerodynamic or automatic control system characteristic which may cause aeroplane response to discrete gusts or continuous turbulence to become non-linear with respect to intensity or shape should be represented realistically or conservatively in the calculation of loads. While many minor non-linearities are amenable to a conservative linear solution, the effect of major non-linearities cannot usually be quantified without explicit calculation.

The effect of non-linearities should be investigated above limit conditions to assure that the system presents no anomaly compared to behaviour below limit conditions, in accordance with CS K25.2(b)(2).

- b. Structural and Aerodynamic Non-linearity. A linear elastic structural model, and a linear (unstalled) aerodynamic model are normally recommended as conservative and acceptable for the unaugmented aeroplane elements of a loads calculation. Aerodynamic models may be refined to take account of minor non-linear variation of aerodynamic distributions, due to local separation etc., through simple linear piecewise solution. Local or complete stall of a lifting surface would constitute a major non-linearity and should not be represented without account being taken of the influence of rate of change of incidence, i.e., the so-called 'dynamic stall' in which the range of linear incremental aerodynamics may extend significantly beyond the static stall incidence.
- c. Automatic Control System Non-linearity. Automatic flight control systems, autopilots, stability control systems and load alleviation systems often constitute the primary source of non-linear response. For example,

CS-25 BOOK 2

- non-proportional feedback gains
- rate and amplitude limiters
- changes in the control laws, or control law switching
- hysteresis
- use of one-sided aerodynamic controls such as spoilers
- hinge moment performance and saturation of aerodynamic control actuators

The resulting influences on response will be aeroplane design dependent, and the manner in which they are to be considered will normally have to be assessed for each design.

Minor influences such as occasional clipping of response due to rate or amplitude limitations, where it is symmetric about the stabilised 1-g condition, can often be represented through quasi-linear modelling techniques such as describing functions or use of a linear equivalent gain.

Major, and unsymmetrical influences such as application of spoilers for load alleviation, normally require explicit simulation, and therefore adoption of an appropriate solution based in the time domain.

The influence of non-linearities on one load quantity often runs contrary to the influence on other load quantities. For example, an aileron used for load alleviation may simultaneously relieve wing bending moment whilst increasing wing torsion. Since it may not be possible to represent such features conservatively with a single aeroplane model, it may be conservatively acceptable to consider loads computed for two (possibly linear) representations which bound the realistic condition. Another example of this approach would be separate representation of continuous turbulence response for the two control law states to cover a situation where the aeroplane may occasionally switch from one state to another.

- d. Non-linear Solution Methodology. Where explicit simulation of non-linearities is required, the loads response may be calculated through time domain integration of the equations of motion.

For the tuned discrete gust conditions of CS 25.341(a), limit loads should be identified by peak values in the non-linear time domain simulation response of the aeroplane model excited by the discrete gust model described in Paragraph 5.b. of this AMC.

For time domain solution of the continuous turbulence conditions of CS 25.341(b), a variety of approaches may be taken for the specification of the turbulence input time history and the mechanism for identifying limit loads from the resulting responses.

It will normally be necessary to justify that the selected approach provides an equivalent level of safety as a conventional linear analysis and is appropriate to handle the types of non-linearity on the aircraft. This should include verification that the approach provides adequate statistical significance in the loads results.

A methodology based upon stochastic simulation has been found to be acceptable for load alleviation and flight control system non-linearities. In this simulation, the input is a long, Gaussian, pseudo-random turbulence stream conforming to a Von Kármán spectrum with a root-mean-square (RMS) amplitude of 0.4 times U_σ (defined in Paragraph 5.c (1) of this AMC). The value of limit load is that load with the same probability of exceedance as $\bar{A}U_\sigma$ of the same load quantity in a linear model. This is illustrated graphically in Figure 5. When using an analysis of this type, exceedance curves should be constructed using incremental load values up to, or just beyond the limit load value.

CS-25 BOOK 2

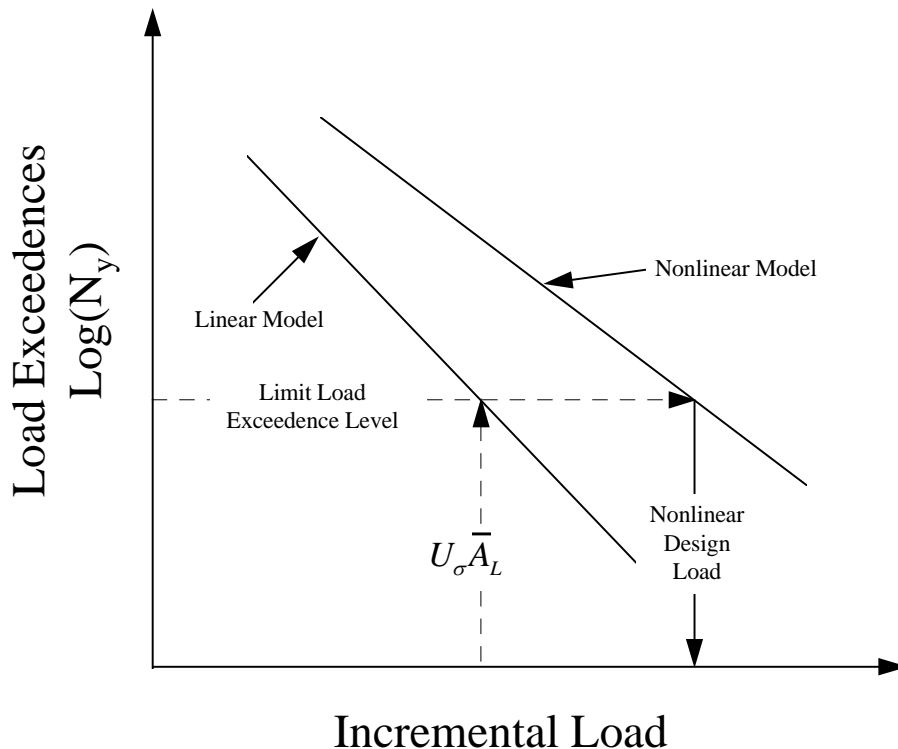


Figure-5 Establishing Limit Load for a Non-linear Aeroplane

The non-linear simulation may also be performed in the frequency domain if the frequency domain method is shown to produce conservative results. Frequency domain methods include, but are not limited to, Matched Filter Theory and Equivalent Linearisation.

9. ANALYTICAL MODEL VALIDATION

- a. General. The intent of analytical model validation is to establish that the analytical model is adequate for the prediction of gust response loads. The following paragraphs discuss acceptable but not the only methods of validating the analytical model. In general, it is not intended that specific testing be required to validate the dynamic gust loads model.
- b. Structural Dynamic Model Validation. The methods and test data used to validate the flutter analysis models presented in AMC 25.629 should also be applied to validate the gust analysis models. These procedures are addressed in AMC 25.629.
- c. Damping Model Validation. In the absence of better information it will normally be acceptable to assume 0.03 (i.e. 1.5% equivalent critical viscous damping) for all flexible modes. Structural damping may be increased over the 0.03 value to be consistent with the high structural response levels caused by extreme gust intensity, provided justification is given.
- d. Aerodynamic Model Validation. Aerodynamic modelling parameters fall into two categories:
 - (i) steady or quasi-steady aerodynamics governing static aeroelastic and flight dynamic airload distributions
 - (ii) unsteady aerodynamics which interact with the flexible modes of the aeroplane.

Flight stability aerodynamic distributions and derivatives may be validated by wind tunnel tests, detailed aerodynamic modelling methods (such as CFD) or flight test data. If detailed analysis or testing reveals that flight dynamic characteristics of the aeroplane differ significantly from

CS-25 BOOK 2

those to which the gust response model have been matched, then the implications on gust loads should be investigated.

The analytical and experimental methods presented in AMC 25.629 for flutter analyses provide acceptable means for establishing reliable unsteady aerodynamic characteristics both for motion response and gust excitation aerodynamic force distributions. The aeroelastic implications on aeroplane flight dynamic stability should also be assessed.

- e. Control System Validation. If the aeroplane mathematical model used for gust analysis contains a representation of any feedback control system, then this segment of the model should be validated. The level of validation that should be performed depends on the complexity of the system and the particular aeroplane response parameter being controlled. Systems which control elastic modes of the aeroplane may require more validation than those which control the aeroplane rigid body response. Validation of elements of the control system (sensors, actuators, anti-aliasing filters, control laws, etc.) which have a minimal effect on the output load and response quantities under consideration can be neglected.

It will normally be more convenient to substantiate elements of the control system independently, i.e. open loop, before undertaking the validation of the closed loop system.

- (1) System Rig or Aeroplane Ground Testing. Response of the system to artificial stimuli can be measured to verify the following:

- The transfer functions of the sensors and any pre-control system anti-aliasing or other filtering.
- The sampling delays of acquiring data into the control system.
- The behaviour of the control law itself.
- Any control system output delay and filter transfer function.
- The transfer functions of the actuators, and any features of actuation system performance characteristics that may influence the actuator response to the maximum demands that might arise in turbulence; e.g. maximum rate of deployment, actuator hinge moment capability, etc.

If this testing is performed, it is recommended that following any adaptation of the model to reflect this information, the complete feedback path be validated (open loop) against measurements taken from the rig or ground tests.

- (2) Flight Testing. The functionality and performance of any feedback control system can also be validated by direct comparison of the analytical model and measurement for input stimuli. If this testing is performed, input stimuli should be selected such that they exercise the features of the control system and the interaction with the aeroplane that are significant in the use of the mathematical model for gust load analysis. These might include:

- Aeroplane response to pitching and yawing manoeuvre demands.
- Control system and aeroplane response to sudden artificially introduced demands such as pulses and steps.
- Gain and phase margins determined using data acquired within the flutter test program. These gain and phase margins can be generated by passing known signals through the open loop system during flight test.

[Amdt. No.:25/1]

AMC 25.345(a) High Lift Devices (Gust Conditions)

Compliance with CS 25.345(a) may be demonstrated by an analysis in which the solution of the vertical response equations is made by assuming the aircraft to be rigid. If desired, the analysis may take account of the effects of structural flexibility on a quasi-flexible basis (i.e. using aerodynamic derivatives and load distributions corresponding to the distorted structure under maximum gust load).

CS-25 BOOK 2

AMC 25.345(c)

High Lift Devices (Procedure Flight Condition)

1 En-route conditions are flight segments other than take-off, approach and landing. As applied to the use of high lift devices the following flight phases are to be included in en-route conditions:

- holding in designated areas outside the terminal area of the airport, and
- flight with flaps extended from top of descent.

The following flight phases are not to be included in en-route conditions:

- portion of the flight corresponding to standard arrival routes preceding the interception of the final approach path, and
- holding at relatively low altitude close to the airport.

2 To apply CS 25.341 (a) gust conditions to CS 25.345(c), the speeds V_{FC} and V_{FD} should be determined for the flap positions selected in en-route conditions.

These procedures should ensure proper speed margins for flap retraction in the case of severe turbulence when the aeroplane is in a low speed en-route holding configuration.

3 The manoeuvre of CS 25.345(c)(1) is to be considered as a balanced condition. (See CS 25.331(b) for definition.)

AMC 25.349(a)

Rolling conditions

The physical limitations of the aircraft from the cockpit roll control device to the control surface deflection, such as control stops position, maximum power and displacement rate of the servo controls, and control law limiters, may be taken into account.

AMC 25.351

Yaw manoeuvre conditions

The physical limitations of the aircraft from the cockpit yaw control device to the control surface deflection, such as control stops position, maximum power and displacement rate of the servo controls, and control law limiters, may be taken into account.

AMC 25.361

Engine and auxiliary power unit torque

CS 25.361(a)(1) is applicable to all engine installations, including turbo-fans, turbo-jets and turbo-propellers, except CS 25.361(a)(1)(iii) which applies only to turbo-propeller installations.

CS 25.361(a)(2)(i) - "Mean engine torque" refers to the value of the torque, for the specified condition, with any dynamic oscillations removed.

CS 25.361 (a)(3)(i) - Examples are; high power compressor surges, blade tip rub during manoeuvres, small and medium bird encounters, or combinations of these events.

CS 25.361(a)(3)(ii) and (b)(2) - As an example, the term "maximum acceleration" is taken to be that torque seen by the engine mounts under a runaway of the fuel metering unit up to its maximum flow stop.

CS-25 BOOK 2

[Amdt. No.:25/8]

**AMC 25.362
Engine Failure Loads****1. PURPOSE.**

This AMC describes an acceptable means for showing compliance with the requirements of CS 25.362 “Engine failure loads”. These means are intended to provide guidance to supplement the engineering and operational judgement that must form the basis of any compliance findings relative to the design of engine mounts, pylons and adjacent supporting airframe structure, for loads developed from the engine failure conditions described in CS 25.362.

2. RELATED CS PARAGRAPHS.**a. CS-25:**

CS 25.361 “Engine and auxiliary power unit torque”
CS 25.901 “Powerplant installation”

b. CS-E:

CS-E 520 “Strength”
CS-E 800 “Bird strike and ingestion”
CS-E 810 “Compressor and turbine blade failure”
CS-E 850 “Compressor, Fan and Turbine Shafts”

3. DEFINITIONS.

Some new terms have been defined for the transient engine failure conditions in order to present criteria in a precise and consistent manner in the following pages. In addition, some terms are employed from other fields and may not necessarily be in general use. For the purposes of this AMC, the following definitions should be used.

a. Adjacent supporting airframe structure: Those parts of the primary airframe that are directly affected by loads arising within the engine.

b. Ground Vibration Test: Ground resonance tests of the aeroplane normally conducted for compliance with CS 25.629, “Aeroelastic stability requirements.”

c. Transient failure loads: Those loads occurring from the time of the engine structural failure, up to the time at which the engine stops rotating or achieves a steady windmilling rotational speed.

d. Windmilling engine rotational speed: The speed at which the rotating shaft systems of an unpowered engine will rotate due to the flow of air into the engine as a result of the forward motion of the aeroplane.

4. BACKGROUND.

a. Requirements. CS 25.362 (“Engine failure loads”) requires that the engine mounts, pylons, and adjacent supporting airframe structure be designed to withstand 1g flight loads combined with the transient dynamic loads resulting from each engine structural failure condition. The aim being to ensure that the aeroplane is capable of continued safe flight and landing after sudden engine stoppage or engine structural failure, including ensuing damage to other parts of the engine.

b. Engine failure loads. Turbine engines have experienced failure conditions that have resulted in sudden engine deceleration and, in some cases, seizures. These failure conditions are usually caused by internal structural failures or ingestion of foreign objects, such as birds or ice. Whatever the source, these conditions may produce significant structural loads on the engine, engine mounts, pylon,

CS-25 BOOK 2

and adjacent supporting airframe structure. With the development of larger high-bypass ratio turbine engines, it became apparent that engine seizure torque loads alone did not adequately define the full loading imposed on the engine mounts, pylons, and adjacent supporting airframe structure. The progression to high-bypass ratio turbine engines of larger diameter and fewer blades with larger chords has increased the magnitude of the transient loads that can be produced during and following engine failures. Consequently, it is considered necessary that the applicant performs a dynamic analysis to ensure that representative loads are determined during and immediately following an engine failure event.

A dynamic model of the aircraft and engine configuration should be sufficiently detailed to characterise the transient loads for the engine mounts, pylons, and adjacent supporting airframe structure during the failure event and subsequent run down.

c. Engine structural failure conditions. Of all the applicable engine structural failure conditions, design and test experience have shown that the loss of a fan blade is likely to produce the most severe loads on the engine and airframe. Therefore, CS 25.362 requires that the transient dynamic loads from these blade failure conditions be considered when evaluating structural integrity of the engine mounts, pylons and adjacent supporting airframe structure. However, service history shows examples of other severe engine structural failures where the engine thrust-producing capability was lost, and the engine experienced extensive internal damage. For each specific engine design, the applicant should consider whether these types of failures are applicable, and if they present a more critical load condition than blade loss. In accordance with CS-E 520(c)(2), other structural failure conditions that should be considered in this respect are:

- failure of a shaft, or
- failure or loss of any bearing/bearing support, or
- a bird ingestion.

5. EVALUATION OF TRANSIENT FAILURE CONDITIONS

a. Evaluation. The applicant's evaluation should show that, from the moment of engine structural failure and during spool-down to the time of windmilling engine rotational speed, the engine-induced loads and vibrations will not cause failure of the engine mounts, pylon, and adjacent supporting airframe structure. (*Note:* The effects of continued rotation (windmilling) are described in AMC 25-24).

Major engine structural failure events are considered as ultimate load conditions, since they occur at a sufficiently infrequent rate. For design of the engine mounts and pylon, the ultimate loads may be taken without any additional multiplying factors. At the same time, protection of the basic airframe is assured by using a multiplying factor of 1.25 on those ultimate loads for the design of the adjacent supporting airframe structure.

b. Blade loss condition. The loads on the engine mounts, pylon, and adjacent supporting airframe structure should be determined by dynamic analysis. The analysis should take into account all significant structural degrees of freedom. The transient engine loads should be determined for the blade failure condition and rotor speed approved per CS-E, and over the full range of blade release angles to allow determination of the critical loads for all affected components.

The loads to be applied to the pylon and airframe are normally determined by the applicant based on the integrated model, which includes the validated engine model supplied by the engine manufacturer.

The calculation of transient dynamic loads should consider:

- the effects of the engine mounting station on the aeroplane (i.e., right side, left side, inboard position, etc.); and
- the most critical aeroplane mass distribution (i.e., fuel loading for wing-mounted engines and payload distribution for fuselage-mounted engines).

For calculation of the combined ultimate airframe loads, the 1g component should be associated with typical flight conditions.

CS-25 BOOK 2

c. Other failure conditions. As identified in paragraph 4(c) above, if any other engine structural failure conditions, applicable to the specific engine design, could result in higher loads being developed than the blade loss condition, they should be evaluated by dynamic analysis to a similar standard and using similar considerations to those described in paragraph 5.b., above.

6. ANALYSIS METHODOLOGY.

a. Objective of the methodology. The objective of the analysis methodology is to develop acceptable analytical tools for conducting investigations of dynamic engine structural failure events. The goal of the analysis is to produce loads and accelerations suitable for evaluations of structural integrity. However, where required for compliance with CS 25.901 ("Powerplant installation"), loads and accelerations may also need to be produced for evaluating the continued function of aircraft systems, including those related to the engine installation that are essential for immediate flight safety (for example, fire bottles and fuel shut off valves).

b. Scope of the analysis. The analysis of the aircraft and engine configuration should be sufficiently detailed to determine the transient and steady-state loads for the engine mounts, pylon, and adjacent supporting airframe structure during the engine failure event and subsequent run-down.

7. MATHEMATICAL MODELLING AND VALIDATION

a. Components of the integrated dynamics model. The applicant should calculate airframe dynamic responses with an integrated model of the engine, engine mounts, pylon, and adjacent supporting airframe structure. The model should provide representative connections at the engine-to-eylon interfaces, as well as all interfaces between components (e.g., inlet-to-engine and engine-to-thrust reverser). The integrated dynamic model used for engine structural failure analyses should be representative of the aeroplane to the highest frequency needed to accurately represent the transient response. The integrated dynamic model consists of the following components that must be validated:

- Airframe structural model.
- Propulsion structural model (including the engine model representing the engine type-design).

b. Airframe Structural Model and Validation

(1) An analytical model of the airframe is necessary in order to calculate the airframe responses due to the transient forces produced by the engine failure event. The airframe manufacturers currently use reduced lumped mass finite element analytical models of the airframe for certification of aeroelastic stability (flutter) and dynamic loads. A typical model consists of relatively few lumped masses connected by weightless beams. A full aeroplane model is not usually necessary for the engine failure analysis, and it is normally not necessary to consider the whole aircraft response, the effects of automatic flight control systems, or unsteady aerodynamics.

(2) A lumped mass beam model of the airframe, similar to that normally used for flutter analysis, is acceptable for frequency response analyses due to engine structural failure conditions. However, additional detail may be needed to ensure adequate fidelity for the engine structural failure frequency range. In particular, the engine structural failure analysis requires calculating the response of the airframe at higher frequencies than are usually needed to obtain accurate results for the other loads analyses, such as dynamic gust and landing impact. The applicant should use finite element models as necessary. As far as possible, the ground vibration tests normally conducted for compliance with CS 25.629 ("Aeroelastic stability requirements") should be used to validate the analytical model.

(3) Structural dynamic models include damping properties, as well as representations of mass and stiffness distributions. In the absence of better information, it will normally be acceptable to assume a value of 0.03 (i.e., 1.5% equivalent critical viscous damping) for all flexible modes. Structural damping may be increased over the 0.03 value to be consistent with the high structural response levels caused by extreme failure loads, provided it is justified.

CS-25 BOOK 2c. Propulsion Structural Model and Validation

For propulsion structural model and validation, see AMC 25-24.

[Amdt. No.:25/8]

AMC 25.365(e)
Pressurised Compartment Loads

The computed opening size from 25.365(e)(2) should be considered only as a mathematical means of developing ultimate pressure design loads to prevent secondary structural failures. No consideration need be given to the actual shape of the opening, nor to its exact location on the pressure barrier in the compartment. The damage and loss of strength at the opening location should not be considered.

A hazard assessment should determine which structures should be required to withstand the resulting differential pressure loads. The assessment of the secondary consequences of failures of these structures should address those events that have a reasonable probability of interfering with safe flight and landing, for example failures of structures supporting critical systems. For this assessment the risk of impact on the main structure from non critical structures, such as fairings, detached from the aircraft due to decompression need not be considered.

AMC 25.393(a)
Loads Parallel to Hinge Line

The loads parallel to the hinge line on primary control surfaces and other movable surfaces, such as tabs, spoilers, speedbrakes, flaps, slats and all-moving tailplanes, should take account of axial play between the surface and its supporting structure in complying with CS 25.393(a). For the rational analysis, the critical airframe acceleration time history in the direction of the hinge line from all flight and ground design conditions (except the emergency landing conditions of CS 25.561) should be considered. The play assumed in the control surface supporting structure, should include the maximum tolerable nominal play and the effects of wear.

AMC 25.415
Ground Gust Conditions

1. **PURPOSE.**

This AMC sets forth acceptable methods of compliance with the provisions of CS-25 dealing with the certification requirements for ground gust conditions. Guidance information is provided for showing compliance with CS 25.415, relating to structural design of the control surfaces and systems while taxiing with control locks engaged and disengaged and when parked with control locks engaged. Other methods of compliance with the requirements may be acceptable.

2. **RELATED CERTIFICATION SPECIFICATIONS.**

CS 25.415 "Ground Gust Conditions".
 CS 25.519 "Jacking and Tie-down Provisions"

3. **BACKGROUND.**

a. The requirement to consider the effects of ground gusts has been applied to large/transport aeroplanes since 1950. The purpose of the requirement was to protect the flight control system from excessive peak ground wind loads while the aeroplane is parked or while taxiing downwind. For developing the original regulation, the control surface load distribution was considered to be triangular with the peak at the trailing edge representing reversed flow over the control surface. This assumption, along with assumptions about the wind approach angle and typical control surface geometries were developed into a table of hinge moment factors and set

CS-25 BOOK 2

forth in the regulation. These hinge moment factors have been carried forward to the existing table in CS 25.415. The maximum design wind speed was originally set at 96 km/h (88 feet per second (52 knots)) under the presumption that higher speeds were predictable storm conditions and the aircraft owner could take additional precautions beyond engaging the standard gust locks.

b. The conditions of CS 25.519 require consideration of the aeroplane in a moored or jacked condition in wind speeds up to 120 km/h (65 knots). In order to be consistent in the treatment of ground winds, the wind speeds prescribed by CS 25.415, concerning ground gust conditions on control surfaces, was increased to 120 km/h (65 knots) at Change 15 of JAR-25.

c. There have been several incidents and accidents caused by hidden damage that had previously occurred in ground gust conditions. Although many of these events were for aeroplanes that had used the lower wind speeds from the earlier rules, analysis indicates that the most significant contributor to the damage was the dynamic load effect. The dynamic effects were most significant for control system designs in which the gust locks were designed to engage the control system at locations far from the control surface horn. Based on these events additional factors are defined for use in those portions of the system and surface that could be affected by dynamic effects.

d. The flight control system and surface loads prescribed by CS 25.415 are limit loads based on a peak wind speed of 120 km/h (65 knots) EAS. In operation, the peak wind speed would most often be caused by an incremental fluctuation in velocity imposed on top of a less rapidly changing mean wind speed. Therefore, an appropriate peak wind speed limitation should be reflected in the applicable documents, when there is a potential risk of structural damage.

4. **COMPLIANCE.**

a. The ground gust requirements take into account the conditions of the aeroplane parked with controls locked, and taxiing with controls either locked or unlocked. In either of the locked conditions the control surface loads are assumed to be reacted at the control system locks. In the unlocked condition the pilot is assumed to be at the controls and the controls are assumed to be powered, if applicable. In the latter condition, the control surface loads are assumed to be reacted, if necessary, at the cockpit controls by the pilot(s) up to the limits of the maximum pilot forces and torques given in CS 25.397(c).

b. Where loads are eventually reacted at the cockpit controls, the loads in those parts of the control system between the control system stops nearest the control surfaces and the cockpit controls need not exceed those that would result from the application of the specified maximum pilot effort effects. However, higher loads can be reacted by the control system stops. Those parts of the control system from the control surfaces to the control system stops nearest the surfaces should be designed to the resultant limit loads including dynamic effects, if applicable, and regardless of pilot effort limitations. Similarly, pilot effort limitations would not apply to parts of control systems where the loads are not eventually reacted at the cockpit controls, for example an aileron control system where the right hand side aileron loads are reacted by the left hand side aileron, without participation by the pilot(s).

c. In either the taxiing condition (controls locked or unlocked) or the parked condition (controls locked), if the control system flexibility is such that the rate of load application in the ground gust conditions might produce transient stresses appreciably higher than those corresponding to static loads, the effects of this rate of application are required to be considered. Manually powered control systems and control systems where the gust lock is located remotely from the control surface are examples of designs that might fall in this category. In such cases the control system loads are required by CS 25.415(e) to be increased by an additional factor over the standard factor of 1.25.

[Amdt. No.:25/2]

AMC 25.491 **Taxi, take-off and landing roll**

CS-25 BOOK 2**1. PURPOSE.**

This AMC sets forth acceptable methods of compliance with the provisions of CS-25 dealing with the certification requirements for taxi, take-off and landing roll design loads. Guidance information is provided for showing compliance with CS 25.491, relating to structural design for aeroplane operation on paved runways and taxi-ways normally used in commercial operations. Other methods of compliance with the requirements may be acceptable.

2. RELATED CERTIFICATION SPECIFICATIONS.

The contents of this AMC are considered by the Agency in determining compliance with CS 25.491. Related paragraphs are CS 25.305(c) and CS 25.235.

3. BACKGROUND.

a. All paved runways and taxi-ways have an inherent degree of surface unevenness, or roughness. This is the result of the normal tolerances of engineering standards required for construction, as well as the result of events such as uneven settlement and frost heave. In addition, repair of surfaces on an active runway or taxi-way can result in temporary ramped surfaces. Many countries have developed criteria for runway surface roughness. The International Civil Aviation Organisation (ICAO) standards are published in ICAO Annex 14.

b. In the late 1940's, as aeroplanes became larger, more flexible, and operated at higher ground speeds, consideration of dynamic loads during taxi, landing rollout, and take-off became important in aeroplane design. CS 25.235, CS 25.491 and CS 25.305(c) apply.

c. Several approaches had been taken by different manufacturers in complying with the noted regulations. If dynamic effects due to rigid body modes or airframe flexibility during taxi were not considered critical, some manufacturers used a simplified static analysis where a static inertia force was applied to the aeroplane using a load factor of 2.0 for single axle gears or 1.7 for multiple axle gears. The lower 1.7 factor was justified based on an assumption that there was a load alleviating effect resulting from rotation of the beam, on which the forward and aft axles are attached, about the central pivot point on the strut. The static load factor approach was believed to encompass any dynamic effects and it had the benefit of a relatively simple analysis.

d. As computers became more powerful and dynamic analysis methods became more sophisticated, it was found that dynamic effects sometimes resulted in loads greater than those which were predicted by the static criterion. Some manufacturers performed calculations using a series of harmonic bumps to represent a runway surface, tuning the bumps to excite various portions of the structure at a given speed. U.S. Military Standard 8862 defines amplitude and wavelengths of 1-cosine bumps intended to excite low speed plunge, pitch and wing first bending modes.

e. Some manufacturers used actual runway profile data to calculate loads. The runway profiles of the San Francisco Runway 28R or Anchorage Runway 24, which were known to cause high loads on aeroplanes and were the subject of pilot complaints until resurfaced, have been used in a series of bi-directional constant speed analytical runs to determine loads. In some cases, accelerated runs have been used, starting from several points along the runway. The profiles of those runways are described in NASA Reports CR-119 and TN D-5703. Such deterministic dynamic analyses have in general proved to be satisfactory.

f. Some manufacturers have used a statistical power spectral density (PSD) approach, especially to calculate fatigue loads. Extensive PSD runway roughness data exist for numerous world runways. The PSD approach is not considered practical for calculation of limit loads.

g. Because the various methods described above produce different results, the guidance information given in paragraphs 4, 5, and 6 of this AMC should be used when demonstrating compliance with CS 25.491.

CS-25 BOOK 2**4. RUNWAY PROFILE CONDITION.**

a. Consideration of airframe flexibility and landing gear dynamic characteristics is necessary in most cases. A deterministic dynamic analysis, based on the San Francisco Runway 28R (before it was resurfaced), described in Table 1 of this AMC, is an acceptable method for compliance. As an alternative means of compliance, the San Francisco Runway 28R (before it was resurfaced) may be used with the severe bump from 1530 to 1538 feet modified per Table 2. The modifications to the bump reflect the maximum slope change permitted in ICAO Annex 14 for temporary ramps used to transition asphalt overlays to existing pavement. The points affected by this modification are outlined in Table 1.

b. Aeroplane design loads should be developed for the most critical conditions arising from taxi, take-off, and landing run. The aeroplane analysis model should include significant aeroplane rigid body and flexible modes, and the appropriate landing gear and tyre characteristics. Unless the aeroplane has design features that would result in significant asymmetric loads, only the symmetric cases need be investigated.

c. Aeroplane steady aerodynamic effects should normally be included. However, they may be ignored if their deletion is shown to produce conservative loads. Unsteady aerodynamic effects on dynamic response may be neglected.

d. Conditions should be run at the maximum take-off weight and the maximum landing weight with critical combinations of wing fuel, payload, and extremes of centre of gravity (c.g.) range. For aeroplanes with trimable stabilisers, the stabiliser should be set at the appropriate setting for take-off cases and at the recommended final approach setting for landing cases. The elevator should be assumed faired relative to the stabiliser throughout the take-off or landing run, unless other normal procedures are specified in the flight manual.

e. A series of constant speed runs should be made in both directions from 37 km/h (20 knots) up to the maximum ground speeds expected in normal operation (V_R defined at maximum altitude and temperature for take-off conditions, $1.25 V_{L2}$ for landing conditions). Sufficiently small speed increments should be evaluated to assure that maximum loads are achieved. Constant speed runs should be made because using accelerated runs may not define the speed/roughness points which could produce peak dynamic loads. For maximum take-off weight cases, the analysis should account for normal take-off flap and control settings and consider both zero and maximum thrust. For maximum landing weight cases, the analysis should account for normal flap and spoiler positions following landing, and steady pitching moments equivalent to those produced by braking with a coefficient of friction of 0.3 with and without reverse thrust. The effects of automatic braking systems that reduce braking in the presence of reverse thrust may be taken into account.

5. DISCRETE LOAD CONDITION.

One of the following discrete limit load conditions should be evaluated:

a. With all landing gears in contact with the ground, the condition of a vertical load equal to 1.7 times the static ground reaction should be investigated under the most adverse aeroplane loading distribution at maximum take-off weight, with and without thrust from the engines;

b. As an alternative to paragraph 5.a. above, it would be acceptable to undertake dynamic analyses under the same conditions considered in paragraph 4 of this AMC considering the aircraft response to each of the following pairs of identical and contiguous 1-cosine upwards bumps on an otherwise smooth runway:

- (i) Bump wavelengths equal to the mean longitudinal distance between nose and main landing gears, or between the main and tail landing gears, as appropriate; and separately:
- (ii) Bump wavelengths equal to twice this distance.

CS-25 BOOK 2

The bump height in each case should be defined as:

$$H = A + B \sqrt{L}$$

Where:

H = the bump height

L = the bump wavelength

A = 1.2, B = 0.023 if H and L are expressed in inches

A = 30.5, B = 0.116 if H and L are expressed in millimetres

6. **COMBINED LOAD CONDITION.**

A condition of combined vertical, side and drag loads should be investigated for the main landing gear. In the absence of a more rational analysis a vertical load equal to 90% of the ground reaction from paragraph 5 above should be combined with a drag load of 20% of the vertical load and a side load of 20% of the vertical load. Side loads acting either direction should be considered.

7. **TYRE CONDITIONS.**

The calculation of maximum gear loads in accordance with paragraphs 4, 5, and 6, may be performed using fully inflated tyres. For multiple wheel units, the maximum gear loads should be distributed between the wheels in accordance with the criteria of CS 25.511.

[Amdt. No.:25/2]

[Amdt. No.:25/8]

TABLE 1

SAN FRANCISCO RUNWAY 28R

ONE TRACK

LENGTH: 3880 FEET

NUMBER OF POINTS: 1941

POINT SPACING: 2 FEET

ELEVATIONS: FEET

REFERENCE SOURCE: REPORT TO NASA (EFFECTS OF RUNWAY UNEVENNESS ON THE DYNAMIC RESPONSE OF SUPERSONIC TRANSPORTS), JULY 1964, U. OF CALIF. BERKELEY.

RUNWAY ELEVATION POINTS IN FEET (READ ROW WISE):

Dist.	Elev.	Dist.	Elev.	Dist.	Elev.	Dist.	Elev.	Dist.	Elev.	Dist.	Elev.	Dist.	Elev.	Dist.	Elev.
0.00	10.30	2.00	10.31	4.00	10.30	6.00	10.30	8.00	10.31	10.00	10.32	12.00	10.33	14.00	10.34
16.00	10.35	18.00	10.36	20.00	10.36	22.00	10.37	24.00	10.37	26.00	10.37	28.00	10.38	30.00	10.39
32.00	10.40	34.00	10.40	36.00	10.41	38.00	10.41	40.00	10.42	42.00	10.43	44.00	10.43	46.00	10.44
48.00	10.44	50.00	10.44	52.00	10.44	54.00	10.44	56.00	10.45	58.00	10.46	60.00	10.47	62.00	10.47
64.00	10.48	66.00	10.49	68.00	10.49	70.00	10.50	72.00	10.50	74.00	10.50	76.00	10.50	78.00	10.50
80.00	10.50	82.00	10.49	84.00	10.49	86.00	10.49	88.00	10.49	90.00	10.50	92.00	10.50	94.00	10.51
96.00	10.51	98.00	10.52	100.00	10.52	102.00	10.52	104.00	10.53	106.00	10.53	108.00	10.54	110.00	10.54
112.00	10.55	114.00	10.55	116.00	10.55	118.00	10.55	120.00	10.54	122.00	10.55	124.00	10.55	126.00	10.56
128.00	10.57	130.00	10.57	132.00	10.57	134.00	10.57	136.00	10.57	138.00	10.58	140.00	10.57	142.00	10.57
144.00	10.58	146.00	10.57	148.00	10.56	150.00	10.56	152.00	10.56	154.00	10.56	156.00	10.56	158.00	10.56
160.00	10.56	162.00	10.56	164.00	10.55	166.00	10.55	168.00	10.55	170.00	10.56	172.00	10.57	174.00	10.57
176.00	10.57	178.00	10.57	180.00	10.56	182.00	10.55	184.00	10.55	186.00	10.55	188.00	10.55	190.00	10.55
192.00	10.56	194.00	10.56	196.00	10.56	198.00	10.56	200.00	10.55	202.00	10.54	204.00	10.53	206.00	10.52
208.00	10.52	210.00	10.52	212.00	10.52	214.00	10.52	216.00	10.52	218.00	10.53	220.00	10.52	222.00	10.52
224.00	10.51	226.00	10.52	228.00	10.52	230.00	10.51	232.00	10.52	234.00	10.52	236.00	10.53	238.00	10.53
240.00	10.53	242.00	10.53	244.00	10.53	246.00	10.53	248.00	10.53	250.00	10.53	252.00	10.53	254.00	10.52
256.00	10.53	258.00	10.54	260.00	10.54	262.00	10.54	264.00	10.54	266.00	10.54	268.00	10.54	270.00	10.55
272.00	10.55	274.00	10.54	276.00	10.55	278.00	10.55	280.00	10.56	282.00	10.57	284.00	10.58	286.00	10.59
288.00	10.60	290.00	10.61	292.00	10.62	294.00	10.63	296.00	10.65	298.00	10.66	300.00	10.66	302.00	10.67
304.00	10.66	306.00	10.67	308.00	10.67	310.00	10.67	312.00	10.67	314.00	10.67	316.00	10.66	318.00	10.66
320.00	10.65	322.00	10.65	324.00	10.65	326.00	10.65	328.00	10.66	330.00	10.67	332.00	10.67	334.00	10.67
336.00	10.68	338.00	10.68	340.00	10.68	342.00	10.69	344.00	10.69	346.00	10.69	348.00	10.70	350.00	10.71
352.00	10.71	354.00	10.72	356.00	10.72	358.00	10.71	360.00	10.72	362.00	10.72	364.00	10.72	366.00	10.71
368.00	10.72	370.00	10.72	372.00	10.73	374.00	10.73	376.00	10.74	378.00	10.75	380.00	10.75	382.00	10.78
384.00	10.77	386.00	10.78	388.00	10.79	390.00	10.80	392.00	10.81	394.00	10.81	396.00	10.82	398.00	10.83
400.00	10.84	402.00	10.85	404.00	10.86	406.00	10.86	408.00	10.86	410.00	10.86	412.00	10.85	414.00	10.86

Dist.	Elev.	Dist.	Elev.	Dist.	Elev.	Dist.	Elev.	Dist.	Elev.	Dist.	Elev.	Dist.	Elev.	Dist.	Elev.
416.00	10.86	418.00	10.87	420.00	10.87	422.00	10.87	424.00	10.87	426.00	10.87	428.00	10.86	430.00	10.85
432.00	10.84	434.00	10.84	436.00	10.83	438.00	10.83	440.00	10.84	442.00	10.85	444.00	10.86	446.00	10.87
448.00	10.87	450.00	10.88	452.00	10.89	454.00	10.90	456.00	10.92	458.00	10.93	460.00	10.94	462.00	10.95
464.00	10.95	466.00	10.95	468.00	10.95	470.00	10.95	472.00	10.95	474.00	10.96	476.00	10.97	478.00	10.98
480.00	10.98	482.00	10.99	484.00	10.99	486.00	10.99	488.00	11.00	490.00	11.01	492.00	11.01	494.00	11.01
496.00	11.01	498.00	10.98	500.00	10.96	502.00	10.95	504.00	10.95	506.00	10.95	508.00	10.96	510.00	10.97
512.00	10.97	514.00	10.98	516.00	10.97	518.00	10.97	520.00	10.98	522.00	10.99	524.00	11.00	526.00	11.01
528.00	11.03	530.00	11.03	532.00	11.03	534.00	11.03	536.00	11.03	538.00	11.03	540.00	11.03	542.00	11.03
544.00	11.02	546.00	11.02	548.00	11.03	550.00	11.04	552.00	11.05	554.00	11.05	556.00	11.04	558.00	11.06
560.00	11.07	562.00	11.07	564.00	11.08	566.00	11.08	568.00	11.09	570.00	11.10	572.00	11.12	574.00	11.13
576.00	11.14	578.00	11.14	580.00	11.15	582.00	11.16	584.00	11.17	586.00	11.17	588.00	11.17	590.00	11.17
592.00	11.17	594.00	11.18	596.00	11.18	598.00	11.18	600.00	11.17	602.00	11.17	604.00	11.17	606.00	11.17
608.00	11.19	610.00	11.17	612.00	11.18	614.00	11.18	616.00	11.18	618.00	11.19	620.00	11.19	622.00	11.19
624.00	11.20	626.00	11.21	628.00	11.21	630.00	11.21	632.00	11.20	634.00	11.20	636.00	11.20	638.00	11.19
640.00	11.18	642.00	11.18	644.00	11.17	646.00	11.16	648.00	11.15	650.00	11.14	652.00	11.14	654.00	11.14
656.00	11.12	658.00	11.11	660.00	11.09	662.00	11.09	664.00	11.09	666.00	11.09	668.00	11.09	670.00	11.09
672.00	11.09	674.00	11.09	676.00	11.09	678.00	11.09	680.00	11.09	682.00	11.09	684.00	11.09	686.00	11.08
688.00	11.08	690.00	11.08	692.00	11.08	694.00	11.07	696.00	11.06	698.00	11.05	700.00	11.04	702.00	11.03
704.00	11.02	706.00	11.01	708.00	11.00	710.00	10.99	712.00	10.99	714.00	10.98	716.00	10.99	718.00	10.98
720.00	10.98	722.00	10.98	724.00	10.98	726.00	10.98	728.00	10.98	730.00	10.99	732.00	10.99	734.00	11.00
736.00	11.00	738.00	11.00	740.00	11.00	742.00	11.00	744.00	11.01	746.00	11.02	748.00	11.02	750.00	11.02
752.00	11.02	754.00	11.02	756.00	11.02	758.00	11.01	760.00	11.01	762.00	11.00	764.00	11.00	766.00	11.00
768.00	11.00	770.00	11.00	772.00	11.00	774.00	10.99	776.00	10.99	778.00	10.98	780.00	10.99	782.00	10.99
784.00	11.00	786.00	11.01	788.00	11.01	790.00	11.01	792.00	11.03	794.00	11.04	796.00	11.03	798.00	11.05
800.00	11.06	802.00	11.07	804.00	11.06	806.00	11.07	808.00	11.08	810.00	11.08	812.00	11.08	814.00	11.09
816.00	11.09	818.00	11.08	820.00	11.08	822.00	11.08	824.00	11.08	826.00	11.08	828.00	11.08	830.00	11.07
832.00	11.08	834.00	11.08	836.00	11.08	838.00	11.08	840.00	11.09	842.00	11.08	844.00	11.08	846.00	11.07
848.00	11.07	850.00	11.06	852.00	11.05	854.00	11.05	856.00	11.04	858.00	11.05	860.00	11.04	862.00	11.04
864.00	11.04	866.00	11.04	868.00	11.04	870.00	11.04	872.00	11.04	874.00	11.03	876.00	11.03	878.00	11.03
880.00	11.03	882.00	11.02	884.00	11.02	886.00	11.02	888.00	11.02	890.00	11.02	892.00	11.02	894.00	11.03
896.00	11.03	898.00	11.04	900.00	11.05	902.00	11.05	904.00	11.06	906.00	11.06	908.00	11.06	910.00	11.07
912.00	11.07	914.00	11.07	916.00	11.07	918.00	11.07	920.00	11.08	922.00	11.08	924.00	11.07	926.00	11.07
928.00	11.07	930.00	11.06	932.00	11.06	934.00	11.06	936.00	11.06	938.00	11.06	940.00	11.07	942.00	11.07
944.00	11.08	946.00	11.08	948.00	11.09	950.00	11.09	952.00	11.09	954.00	11.09	956.00	11.10	958.00	11.09
960.00	11.09	962.00	11.09	964.00	11.09	966.00	11.08	968.00	11.08	970.00	11.07	972.00	11.07	974.00	11.06
976.00	11.07	978.00	11.09	980.00	11.10	982.00	11.10	984.00	11.11	986.00	11.11	988.00	11.12	990.00	11.12
992.00	11.12	994.00	11.11	996.00	11.11	998.00	11.11	1000.00	11.11	1002.00	11.11	1004.00	11.10	1006.00	11.11
1008.00	11.11	1010.00	11.12	1012.00	11.12	1014.00	11.12	1016.00	11.11	1018.00	11.11	1020.00	11.12	1022.00	11.11

Dist.	Elev.	Dist.	Elev.	Dist.	Elev.	Dist.	Elev.	Dist.	Elev.	Dist.	Elev.	Dist.	Elev.	Dist.	Elev.
1024.00	11.11	1026.00	11.11	1028.00	11.10	1030.00	11.10	1032.00	11.12	1034.00	11.13	1036.00	11.15	1038.00	11.16
1040.00	11.17	1042.00	11.18	1044.00	11.18	1046.00	11.19	1048.00	11.19	1050.00	11.20	1052.00	11.22	1054.00	11.22
1056.00	11.23	1058.00	11.23	1060.00	11.23	1062.00	11.24	1064.00	11.25	1066.00	11.25	1068.00	11.26	1070.00	11.24
1072.00	11.27	1074.00	11.28	1076.00	11.28	1078.00	11.30	1080.00	11.31	1082.00	11.32	1084.00	11.33	1086.00	11.34
1088.00	11.34	1090.00	11.34	1092.00	11.34	1094.00	11.33	1096.00	11.32	1098.00	11.32	1100.00	11.31	1102.00	11.32
1104.00	11.32	1106.00	11.31	1108.00	11.31	1110.00	11.31	1112.00	11.32	1114.00	11.31	1116.00	11.32	1118.00	11.33
1120.00	11.34	1122.00	11.35	1124.00	11.35	1126.00	11.36	1128.00	11.36	1130.00	11.36	1132.00	11.37	1134.00	11.37
1136.00	11.37	1138.00	11.37	1140.00	11.38	1142.00	11.38	1144.00	11.38	1146.00	11.38	1148.00	11.38	1150.00	11.38
1152.00	11.38	1154.00	11.38	1156.00	11.38	1158.00	11.37	1160.00	11.37	1162.00	11.37	1164.00	11.37	1166.00	11.38
1168.00	11.38	1170.00	11.39	1172.00	11.38	1174.00	11.38	1176.00	11.39	1178.00	11.40	1180.00	11.41	1182.00	11.41
1184.00	11.42	1186.00	11.43	1188.00	11.44	1190.00	11.44	1192.00	11.45	1194.00	11.46	1196.00	11.46	1198.00	11.46
1200.00	11.46	1202.00	11.47	1204.00	11.48	1206.00	11.48	1208.00	11.48	1210.00	11.49	1212.00	11.50	1214.00	11.50
1216.00	11.50	1218.00	11.50	1220.00	11.50	1222.00	11.50	1224.00	11.49	1226.00	11.49	1228.00	11.49	1230.00	11.48
1232.00	11.47	1234.00	11.46	1236.00	11.46	1238.00	11.48	1240.00	11.46	1242.00	11.47	1244.00	11.47	1246.00	11.47
1248.00	11.47	1250.00	11.46	1252.00	11.45	1254.00	11.45	1256.00	11.45	1258.00	11.46	1260.00	11.46	1262.00	11.46
1264.00	11.45	1266.00	11.45	1268.00	11.45	1270.00	11.45	1272.00	11.45	1274.00	11.46	1276.00	11.46	1278.00	11.46
1280.00	11.48	1282.00	11.47	1284.00	11.47	1286.00	11.48	1288.00	11.48	1290.00	11.48	1292.00	11.48	1294.00	11.49
1296.00	11.49	1298.00	11.50	1300.00	11.51	1302.00	11.52	1304.00	11.52	1306.00	11.52	1308.00	11.52	1310.00	11.52
1312.00	11.52	1314.00	11.52	1316.00	11.53	1318.00	11.52	1320.00	11.52	1322.00	11.52	1324.00	11.53	1326.00	11.53
1328.00	11.53	1330.00	11.53	1332.00	11.53	1334.00	11.53	1336.00	11.54	1338.00	11.53	1340.00	11.52	1342.00	11.52
1344.00	11.51	1346.00	11.53	1348.00	11.52	1350.00	11.54	1352.00	11.53	1354.00	11.54	1356.00	11.53	1358.00	11.54
1360.00	11.53	1362.00	11.54	1364.00	11.55	1366.00	11.54	1368.00	11.54	1370.00	11.54	1372.00	11.54	1374.00	11.53
1376.00	11.52	1378.00	11.51	1380.00	11.50	1382.00	11.49	1384.00	11.49	1386.00	11.49	1388.00	11.49	1390.00	11.49
1392.00	11.48	1394.00	11.47	1396.00	11.47	1398.00	11.47	1400.00	11.46	1402.00	11.47	1404.00	11.47	1406.00	11.48
1408.00	11.47	1410.00	11.46	1412.00	11.46	1414.00	11.46	1416.00	11.46	1418.00	11.46	1420.00	11.47	1422.00	11.47
1424.00	11.47	1426.00	11.46	1428.00	11.46	1430.00	11.44	1432.00	11.43	1434.00	11.41	1436.00	11.40	1438.00	11.39
1440.00	11.38	1442.00	11.37	1444.00	11.36	1446.00	11.36	1448.00	11.35	1450.00	11.35	1452.00	11.35	1454.00	11.35
1456.00	11.35	1458.00	11.34	1460.00	11.34	1462.00	11.33	1464.00	11.32	1466.00	11.32	1468.00	11.32	1470.00	11.31
1472.00	11.31	1474.00	11.30	1476.00	11.29	1478.00	11.29	1480.00	11.28	1482.00	11.28	1484.00	11.28	1486.00	11.28
1488.00	11.28	1490.00	11.27	1492.00	11.27	1494.00	11.27	1496.00	11.26	1498.00	11.26	1500.00	11.25	1502.00	11.25
1504.00	11.24	1506.00	11.23	1508.00	11.22	1510.00	11.21	1512.00	11.19	1514.00	11.18	1516.00	11.17	1518.00	11.17
1520.00	11.15	1522.00	11.13	1524.00	11.12	1526.00	11.10	1528.00	11.10	1530.00	11.18	1532.00	11.17	1534.00	11.14
1536.00	11.14	1538.00	11.12	1540.00	11.00	1542.00	10.97	1544.00	10.95	1546.00	10.94	1548.00	10.92	1550.00	10.91
1552.00	10.92	1554.00	10.92	1556.00	10.91	1558.00	10.93	1560.00	10.93	1562.00	10.93	1564.00	10.93	1566.00	10.93
1568.00	10.93	1570.00	10.93	1572.00	10.93	1574.00	10.93	1576.00	10.93	1578.00	10.93	1580.00	10.94	1582.00	10.94
1584.00	10.94	1586.00	10.94	1588.00	10.95	1590.00	10.94	1592.00	10.93	1594.00	10.94	1596.00	10.94	1598.00	10.93
1600.00	10.92	1602.00	10.92	1604.00	10.92	1606.00	10.91	1608.00	10.91	1610.00	10.91	1612.00	10.91	1614.00	10.90
1616.00	10.89	1618.00	10.88	1620.00	10.87*	1622.00	10.89	1624.00	10.88	1626.00	10.88	1628.00	10.88	1630.00	10.87

Dist.	Elev.	Dist.	Elev.	Dist.	Elev.	Dist.	Elev.	Dist.	Elev.	Dist.	Elev.	Dist.	Elev.	Dist.	Elev.
1632.00	10.86	1634.00	10.85	1636.00	10.86	1638.00	10.86	1640.00	10.85	1642.00	10.85	1644.00	10.85	1646.00	10.84
1648.00	10.84	1650.00	10.84	1652.00	10.83	1654.00	10.83	1656.00	10.82	1658.00	10.82	1660.00	10.81	1662.00	10.81
1664.00	10.80	1666.00	10.79	1668.00	10.79	1670.00	10.79	1672.00	10.79	1674.00	10.79	1676.00	10.79	1678.00	10.80
1680.00	10.80	1682.00	10.81	1684.00	10.82	1686.00	10.82	1688.00	10.83	1690.00	10.84	1692.00	10.85	1694.00	10.85
1696.00	10.85	1698.00	10.87	1700.00	10.87	1702.00	10.88	1704.00	10.87	1706.00	10.88	1708.00	10.87	1710.00	10.87
1712.00	10.87	1714.00	10.87	1716.00	10.86	1718.00	10.85	1720.00	10.84	1722.00	10.84	1724.00	10.84	1726.00	10.84
1728.00	10.84	1730.00	10.83	1732.00	10.82	1734.00	10.82	1736.00	10.82	1738.00	10.82	1740.00	10.82	1742.00	10.82
1744.00	10.83	1746.00	10.82	1748.00	10.83	1750.00	10.82	1752.00	10.82	1754.00	10.82	1756.00	10.82	1758.00	10.81
1760.00	10.81	1762.00	10.81	1764.00	10.81	1766.00	10.82	1768.00	10.82	1770.00	10.82	1772.00	10.83	1774.00	10.83
1776.00	10.83	1778.00	10.84	1780.00	10.84	1782.00	10.85	1784.00	10.86	1786.00	10.86	1788.00	10.86	1790.00	10.88
1792.00	10.87	1794.00	10.86	1796.00	10.86	1798.00	10.86	1800.00	10.87	1802.00	10.87	1804.00	10.86	1806.00	10.85
1808.00	10.85	1810.00	10.89	1812.00	10.91	1814.00	10.91	1816.00	10.92	1818.00	10.92	1820.00	10.93	1822.00	10.93
1824.00	10.93	1826.00	10.94	1828.00	10.94	1830.00	10.95	1832.00	10.94	1834.00	10.93	1836.00	10.93	1838.00	10.92
1840.00	10.93	1842.00	10.91	1844.00	10.91	1846.00	10.90	1848.00	10.90	1850.00	10.90	1852.00	10.91	1854.00	10.91
1856.00	10.89	1858.00	10.90	1860.00	10.91	1862.00	10.91	1864.00	10.91	1866.00	10.92	1868.00	10.93	1870.00	10.94
1872.00	10.94	1874.00	10.94	1876.00	10.94	1878.00	10.94	1880.00	10.95	1882.00	10.93	1884.00	10.93	1886.00	10.93
1888.00	10.93	1890.00	10.92	1892.00	10.93	1894.00	10.93	1896.00	10.93	1898.00	10.93	1900.00	10.91	1902.00	10.90
1904.00	10.91	1906.00	10.91	1908.00	10.91	1910.00	10.91	1912.00	10.91	1914.00	10.91	1916.00	10.91	1918.00	10.90
1920.00	10.90	1922.00	10.89	1924.00	10.90	1926.00	10.90	1928.00	10.90	1930.00	10.91	1932.00	10.90	1934.00	10.91
1936.00	10.89	1938.00	10.89	1940.00	10.89	1942.00	10.89	1944.00	10.89	1946.00	10.88	1948.00	10.88	1950.00	10.87
1952.00	10.87	1954.00	10.87	1956.00	10.86	1958.00	10.88	1960.00	10.87	1962.00	10.86	1964.00	10.87	1966.00	10.87
1968.00	10.86	1970.00	10.85	1972.00	10.85	1974.00	10.85	1976.00	10.86	1978.00	10.85	1980.00	10.86	1982.00	10.86
1984.00	10.86	1986.00	10.87	1988.00	10.87	1990.00	10.87	1992.00	10.87	1994.00	10.87	1996.00	10.88	1998.00	10.87
2000.00	10.88	2002.00	10.87	2004.00	10.88	2006.00	10.88	2008.00	10.88	2010.00	10.88	2012.00	10.88	2014.00	10.89
2016.00	10.90	2018.00	10.89	2020.00	10.89	2022.00	10.89	2024.00	10.89	2026.00	10.90	2028.00	10.89	2030.00	10.89
2032.00	10.88	2034.00	10.87	2036.00	10.88	2038.00	10.87	2040.00	10.87	2042.00	10.87	2044.00	10.87	2046.00	10.88
2048.00	10.88	2050.00	10.88	2052.00	10.88	2054.00	10.88	2056.00	10.88	2058.00	10.89	2060.00	10.89	2062.00	10.89
2064.00	10.89	2066.00	10.89	2068.00	10.89	2070.00	10.89	2072.00	10.88	2074.00	10.88	2076.00	10.89	2078.00	10.88
2080.00	10.89	2082.00	10.88	2084.00	10.88	2086.00	10.88	2088.00	10.88	2090.00	10.88	2092.00	10.87	2094.00	10.87
2096.00	10.87	2098.00	10.87	2100.00	10.87	2102.00	10.88	2104.00	10.88	2106.00	10.88	2108.00	10.89	2110.00	10.89
2112.00	10.90	2114.00	10.91	2116.00	10.92	2118.00	10.92	2120.00	10.93	2122.00	10.92	2124.00	10.92	2126.00	10.92
2128.00	10.92	2130.00	10.92	2132.00	10.92	2134.00	10.92	2136.00	10.93	2138.00	10.93	2140.00	10.93	2142.00	10.93
2144.00	10.93	2146.00	10.94	2148.00	10.93	2150.00	10.93	2152.00	10.93	2154.00	10.93	2156.00	10.93	2158.00	10.92
2160.00	10.92	2162.00	10.91	2164.00	10.90	2166.00	10.92	2168.00	10.91	2170.00	10.91	2172.00	10.90	2174.00	10.90
2176.00	10.90	2178.00	10.88	2180.00	10.88	2182.00	10.86	2184.00	10.85	2186.00	10.85	2188.00	10.84	2190.00	10.84
2192.00	10.84	2194.00	10.84	2196.00	10.85	2198.00	10.85	2200.00	10.85	2202.00	10.85	2204.00	10.85	2206.00	10.85
2208.00	10.86	2210.00	10.86	2212.00	10.86	2214.00	10.87	2216.00	10.88	2218.00	10.88	2220.00	10.89	2222.00	10.90
2224.00	10.91	2226.00	10.91	2228.00	10.92	2230.00	10.92	2232.00	10.93	2234.00	10.94	2236.00	10.94	2238.00	10.95

Dist.	Elev.	Dist.	Elev.	Dist.	Elev.	Dist.	Elev.	Dist.	Elev.	Dist.	Elev.	Dist.	Elev.	Dist.	Elev.
2240.00	10.96	2242.00	10.96	2244.00	10.97	2246.00	10.99	2248.00	10.99	2250.00	10.99	2252.00	10.99	2254.00	11.00
2256.00	11.00	2258.00	11.00	2260.00	11.01	2262.00	11.01	2264.00	11.02	2266.00	11.02	2268.00	11.02	2270.00	11.04
2272.00	11.05	2274.00	11.05	2276.00	11.06	2278.00	11.06	2280.00	11.05	2282.00	11.04	2284.00	11.03	2286.00	11.03
2288.00	11.02	2290.00	11.03	2292.00	11.03	2294.00	11.04	2296.00	11.05	2298.00	11.06	2300.00	11.07	2302.00	11.09
2304.00	11.10	2306.00	11.10	2308.00	11.11	2310.00	11.12	2312.00	11.14	2314.00	11.14	2316.00	11.15	2318.00	11.16
2320.00	11.16	2322.00	11.16	2324.00	11.15	2326.00	11.15	2328.00	11.16	2330.00	11.15	2332.00	11.14	2334.00	11.14
2336.00	11.14	2338.00	11.14	2340.00	11.14	2342.00	11.14	2344.00	11.15	2346.00	11.15	2348.00	11.15	2350.00	11.15
2352.00	11.15	2354.00	11.15	2356.00	11.16	2358.00	11.16	2360.00	11.15	2362.00	11.15	2364.00	11.16	2366.00	11.16
2368.00	11.16	2370.00	11.16	2372.00	11.16	2374.00	11.16	2376.00	11.16	2378.00	11.16	2380.00	11.17	2382.00	11.17
2384.00	11.17	2386.00	11.17	2388.00	11.17	2390.00	11.17	2392.00	11.17	2394.00	11.16	2396.00	11.15	2398.00	11.15
2400.00	11.14	2402.00	11.14	2404.00	11.14	2406.00	11.13	2408.00	11.12	2410.00	11.12	2412.00	11.12	2414.00	11.12
2416.00	11.12	2418.00	11.12	2420.00	11.13	2422.00	11.13	2424.00	11.14	2426.00	11.15	2428.00	11.16	2430.00	11.17
2432.00	11.18	2434.00	11.19	2436.00	11.20	2438.00	11.20	2440.00	11.22	2442.00	11.23	2444.00	11.24	2446.00	11.24
2448.00	11.25	2450.00	11.26	2452.00	11.27	2454.00	11.28	2456.00	11.28	2458.00	11.29	2460.00	11.30	2462.00	11.30
2464.00	11.30	2466.00	11.31	2468.00	11.30	2470.00	11.31	2472.00	11.31	2474.00	11.31	2476.00	11.31	2478.00	11.30
2480.00	11.30	2482.00	11.30	2484.00	11.29	2486.00	11.29	2488.00	11.29	2490.00	11.29	2492.00	11.29	2494.00	11.29
2496.00	11.29	2498.00	11.29	2500.00	11.29	2502.00	11.30	2504.00	11.30	2506.00	11.31	2508.00	11.31	2510.00	11.32
2512.00	11.32	2514.00	11.33	2516.00	11.33	2518.00	11.34	2520.00	11.35	2522.00	11.35	2524.00	11.35	2526.00	11.35
2528.00	11.35	2530.00	11.35	2532.00	11.36	2534.00	11.36	2536.00	11.35	2538.00	11.35	2540.00	11.35	2542.00	11.35
2544.00	11.35	2546.00	11.35	2548.00	11.34	2550.00	11.34	2552.00	11.34	2554.00	11.34	2556.00	11.35	2558.00	11.35
2560.00	11.35	2562.00	11.34	2564.00	11.33	2566.00	11.33	2568.00	11.33	2570.00	11.33	2572.00	11.33	2574.00	11.33
2576.00	11.33	2578.00	11.32	2580.00	11.33	2582.00	11.33	2584.00	11.33	2586.00	11.33	2588.00	11.33	2590.00	11.34
2592.00	11.34	2594.00	11.34	2596.00	11.35	2598.00	11.35	2600.00	11.35	2602.00	11.35	2604.00	11.35	2606.00	11.35
2608.00	11.35	2610.00	11.35	2612.00	11.36	2614.00	11.36	2616.00	11.36	2618.00	11.35	2620.00	11.35	2622.00	11.35
2624.00	11.35	2626.00	11.35	2628.00	11.35	2630.00	11.36	2632.00	11.36	2634.00	11.36	2636.00	11.36	2638.00	11.36
2640.00	11.37	2642.00	11.38	2644.00	11.38	2646.00	11.39	2648.00	11.39	2650.00	11.40	2652.00	11.41	2654.00	11.42
2656.00	11.42	2658.00	11.43	2660.00	11.43	2662.00	11.42	2664.00	11.42	2666.00	11.43	2668.00	11.43	2670.00	11.43
2672.00	11.43	2674.00	11.43	2676.00	11.43	2678.00	11.44	2680.00	11.44	2682.00	11.45	2684.00	11.46	2686.00	11.46
2688.00	11.47	2690.00	11.48	2692.00	11.48	2694.00	11.49	2696.00	11.49	2698.00	11.50	2700.00	11.50	2702.00	11.51
2704.00	11.52	2706.00	11.52	2708.00	11.52	2710.00	11.52	2712.00	11.52	2714.00	11.52	2716.00	11.52	2718.00	11.52
2720.00	11.52	2722.00	11.52	2724.00	11.51	2726.00	11.51	2728.00	11.51	2730.00	11.50	2732.00	11.50	2734.00	11.50
2736.00	11.50	2738.00	11.51	2740.00	11.51	2742.00	11.51	2744.00	11.52	2746.00	11.52	2748.00	11.52	2750.00	11.52
2752.00	11.53	2754.00	11.53	2756.00	11.53	2758.00	11.52	2760.00	11.52	2762.00	11.52	2764.00	11.52	2766.00	11.52
2768.00	11.52	2770.00	11.53	2772.00	11.53	2774.00	11.53	2776.00	11.54	2778.00	11.53	2780.00	11.53	2782.00	11.54
2784.00	11.54	2786.00	11.54	2788.00	11.54	2790.00	11.53	2792.00	11.53	2794.00	11.53	2796.00	11.53	2798.00	11.54
2800.00	11.54	2802.00	11.54	2804.00	11.55	2806.00	11.55	2808.00	11.55	2810.00	11.56	2812.00	11.55	2814.00	11.55
2816.00	11.55	2818.00	11.55	2820.00	11.54	2822.00	11.53	2824.00	11.53	2826.00	11.53	2828.00	11.51	2830.00	11.52
2832.00	11.52	2834.00	11.53	2836.00	11.53	2838.00	11.54	2840.00	11.55	2842.00	11.56	2844.00	11.56	2846.00	11.57

Dist.	Elev.	Dist.	Elev.	Dist.	Elev.	Dist.	Elev.	Dist.	Elev.	Dist.	Elev.	Dist.	Elev.	Dist.	Elev.
2848.00	11.57	2850.00	11.57	2852.00	11.58	2854.00	11.58	2856.00	11.58	2858.00	11.58	2860.00	11.58	2862.00	11.58
2864.00	11.59	2866.00	11.59	2868.00	11.59	2870.00	11.59	2872.00	11.58	2874.00	11.57	2876.00	11.57	2878.00	11.58
2880.00	11.57	2882.00	11.57	2884.00	11.57	2886.00	11.58	2888.00	11.58	2890.00	11.59	2892.00	11.60	2894.00	11.62
2896.00	11.61	2898.00	11.61	2900.00	11.61	2902.00	11.61	2904.00	11.61	2906.00	11.62	2908.00	11.63	2910.00	11.64
2912.00	11.65	2914.00	11.66	2916.00	11.67	2918.00	11.67	2920.00	11.67	2922.00	11.68	2924.00	11.70	2926.00	11.72
2928.00	11.73	2930.00	11.74	2932.00	11.76	2934.00	11.77	2936.00	11.78	2938.00	11.80	2940.00	11.82	2942.00	11.82
2944.00	11.82	2946.00	11.83	2948.00	11.82	2950.00	11.82	2952.00	11.83	2954.00	11.84	2956.00	11.83	2958.00	11.83
2960.00	11.83	2962.00	11.83	2964.00	11.83	2966.00	11.83	2968.00	11.84	2970.00	11.85	2972.00	11.86	2974.00	11.87
2976.00	11.88	2978.00	11.88	2980.00	11.89	2982.00	11.90	2984.00	11.90	2986.00	11.90	2988.00	11.90	2990.00	11.90
2992.00	11.90	2994.00	11.91	2996.00	11.91	2998.00	11.90	3000.00	11.91	3002.00	11.91	3004.00	11.91	3006.00	11.91
3008.00	11.90	3010.00	11.91	3012.00	11.91	3014.00	11.92	3016.00	11.92	3018.00	11.92	3020.00	11.92	3022.00	11.92
3024.00	11.92	3026.00	11.92	3028.00	11.91	3030.00	11.91	3032.00	11.92	3034.00	11.91	3036.00	11.91	3038.00	11.91
3040.00	11.91	3042.00	11.90	3044.00	11.90	3046.00	11.90	3048.00	11.90	3050.00	11.90	3052.00	11.90	3054.00	11.90
3056.00	11.90	3058.00	11.90	3060.00	11.90	3062.00	11.91	3064.00	11.92	3066.00	11.92	3068.00	11.92	3070.00	11.93
3072.00	11.93	3074.00	11.93	3076.00	11.93	3078.00	11.94	3080.00	11.94	3082.00	11.95	3084.00	11.95	3086.00	11.95
3088.00	11.96	3090.00	11.96	3092.00	11.96	3094.00	11.96	3096.00	11.96	3098.00	11.96	3100.00	11.95	3102.00	11.94
3104.00	11.93	3106.00	11.92	3108.00	11.92	3110.00	11.92	3112.00	11.92	3114.00	11.92	3116.00	11.92	3118.00	11.92
3120.00	11.92	3122.00	11.92	3124.00	11.92	3126.00	11.92	3128.00	11.91	3130.00	11.90	3132.00	11.90	3134.00	11.90
3136.00	11.90	3138.00	11.90	3140.00	11.90	3142.00	11.90	3144.00	11.90	3146.00	11.90	3148.00	11.90	3150.00	11.90
3152.00	11.90	3154.00	11.90	3156.00	11.90	3158.00	11.90	3160.00	11.90	3162.00	11.89	3164.00	11.88	3166.00	11.88
3168.00	11.87	3170.00	11.87	3172.00	11.86	3174.00	11.86	3176.00	11.85	3178.00	11.85	3180.00	11.84	3182.00	11.84
3184.00	11.84	3186.00	11.84	3188.00	11.84	3190.00	11.85	3192.00	11.87	3194.00	11.89	3196.00	11.89	3198.00	11.90
3200.00	11.89	3202.00	11.92	3204.00	11.95	3206.00	11.95	3208.00	11.95	3210.00	11.94	3212.00	11.94	3214.00	11.93
3216.00	11.92	3218.00	11.92	3220.00	11.91	3222.00	11.90	3224.00	11.90	3226.00	11.89	3228.00	11.88	3230.00	11.87
3232.00	11.86	3234.00	11.85	3236.00	11.84	3238.00	11.84	3240.00	11.84	3242.00	11.83	3244.00	11.82	3246.00	11.82
3248.00	11.81	3250.00	11.83	3252.00	11.83	3254.00	11.83	3256.00	11.84	3258.00	11.84	3260.00	11.84	3262.00	11.84
3264.00	11.82	3266.00	11.83	3268.00	11.82	3270.00	11.83	3272.00	11.83	3274.00	11.84	3276.00	11.84	3278.00	11.84
3280.00	11.85	3282.00	11.84	3284.00	11.84	3286.00	11.84	3288.00	11.85	3290.00	11.85	3292.00	11.85	3294.00	11.86
3296.00	11.86	3298.00	11.84	3300.00	11.84	3302.00	11.84	3304.00	11.84	3306.00	11.84	3308.00	11.84	3310.00	11.84
3312.00	11.84	3314.00	11.84	3316.00	11.84	3318.00	11.84	3320.00	11.84	3322.00	11.83	3324.00	11.83	3326.00	11.83
3328.00	11.82	3330.00	11.83	3332.00	11.83	3334.00	11.83	3336.00	11.82	3338.00	11.82	3340.00	11.83	3342.00	11.82
3344.00	11.83	3346.00	11.83	3348.00	11.84	3350.00	11.84	3352.00	11.83	3354.00	11.83	3356.00	11.83	3358.00	11.83
3360.00	11.83	3362.00	11.84	3364.00	11.84	3366.00	11.84	3368.00	11.85	3370.00	11.85	3372.00	11.85	3374.00	11.85
3376.00	11.84	3378.00	11.84	3380.00	11.85	3382.00	11.85	3384.00	11.86	3386.00	11.86	3388.00	11.87	3390.00	11.87
3392.00	11.87	3394.00	11.87	3396.00	11.87	3398.00	11.86	3400.00	11.87	3402.00	11.87	3404.00	11.88	3406.00	11.89
3408.00	11.89	3410.00	11.89	3412.00	11.91	3414.00	11.91	3416.00	11.92	3418.00	11.93	3420.00	11.95	3422.00	11.95
3424.00	11.96	3426.00	11.96	3428.00	11.96	3430.00	11.96	3432.00	11.95	3434.00	11.96	3436.00	11.96	3438.00	11.96
3440.00	11.96	3442.00	11.95	3444.00	11.95	3446.00	11.94	3448.00	11.96	3450.00	11.98	3452.00	11.99	3454.00	12.01

Dist.	Elev.	Dist.	Elev.	Dist.	Elev.	Dist.	Elev.	Dist.	Elev.	Dist.	Elev.	Dist.	Elev.	Dist.	Elev.
3456.00	12.03	3458.00	12.04	3460.00	12.05	3462.00	12.05	3464.00	12.05	3466.00	12.05	3468.00	12.05	3470.00	12.05
3472.00	12.04	3474.00	12.06	3476.00	12.06	3478.00	12.07	3480.00	12.07	3482.00	12.07	3484.00	12.07	3486.00	12.06
3488.00	12.07	3490.00	12.07	3492.00	12.08	3494.00	12.08	3496.00	12.08	3498.00	12.09	3500.00	12.09	3502.00	12.08
3504.00	12.08	3506.00	12.08	3508.00	12.08	3510.00	12.08	3512.00	12.09	3514.00	12.10	3516.00	12.10	3518.00	12.10
3520.00	12.10	3522.00	12.10	3524.00	12.11	3526.00	12.11	3528.00	12.12	3530.00	12.13	3532.00	12.13	3534.00	12.13
3536.00	12.13	3538.00	12.14	3540.00	12.14	3542.00	12.13	3544.00	12.13	3546.00	12.13	3548.00	12.11	3550.00	12.10
3552.00	12.07	3554.00	12.06	3556.00	12.07	3558.00	12.08	3560.00	12.09	3562.00	12.10	3564.00	12.11	3566.00	12.11
3568.00	12.12	3570.00	12.06	3572.00	12.01	3574.00	12.03	3576.00	12.04	3578.00	12.05	3580.00	12.05	3582.00	12.06
3584.00	12.06	3586.00	12.05	3588.00	12.04	3590.00	12.03	3592.00	12.02	3594.00	12.02	3596.00	12.02	3598.00	12.02
3600.00	12.01	3602.00	11.99	3604.00	11.98	3606.00	11.94	3608.00	11.94	3610.00	11.93	3612.00	11.93	3614.00	11.92
3616.00	11.91	3618.00	11.90	3620.00	11.90	3622.00	11.90	3624.00	11.90	3626.00	11.90	3628.00	11.91	3630.00	11.90
3632.00	11.88	3634.00	11.87	3636.00	11.87	3638.00	11.86	3640.00	11.86	3642.00	11.85	3644.00	11.86	3646.00	11.86
3648.00	11.85	3650.00	11.85	3652.00	11.85	3654.00	11.86	3656.00	11.86	3658.00	11.87	3660.00	11.86	3662.00	11.86
3664.00	11.85	3666.00	11.84	3668.00	11.85	3670.00	11.85	3672.00	11.87	3674.00	11.89	3676.00	11.88	3678.00	11.88
3680.00	11.88	3682.00	11.89	3684.00	11.90	3686.00	11.91	3688.00	11.91	3690.00	11.91	3692.00	11.91	3694.00	11.92
3696.00	11.92	3698.00	11.93	3700.00	11.94	3702.00	11.94	3704.00	11.95	3706.00	11.95	3708.00	11.95	3710.00	11.95
3712.00	11.95	3714.00	11.96	3716.00	11.95	3718.00	11.95	3720.00	11.96	3722.00	11.97	3724.00	11.98	3726.00	11.98
3728.00	11.99	3730.00	12.00	3732.00	12.00	3734.00	11.99	3736.00	11.99	3738.00	11.99	3740.00	12.00	3742.00	12.00
3744.00	12.01	3746.00	12.02	3748.00	12.02	3750.00	12.03	3752.00	12.04	3754.00	12.05	3756.00	12.06	3758.00	12.06
3760.00	12.06	3762.00	12.06	3764.00	12.06	3766.00	12.06	3768.00	12.06	3770.00	12.06	3772.00	12.07	3774.00	12.08
3776.00	12.09	3778.00	12.10	3780.00	12.09	3782.00	12.12	3784.00	12.13	3786.00	12.14	3788.00	12.13	3790.00	12.14
3792.00	12.14	3794.00	12.14	3796.00	12.15	3798.00	12.15	3800.00	12.16	3802.00	12.16	3804.00	12.17	3806.00	12.17
3808.00	12.17	3810.00	12.15	3812.00	12.14	3814.00	12.13	3816.00	12.12	3818.00	12.11	3820.00	12.10	3822.00	12.09
3824.00	12.09	3826.00	12.09	3828.00	12.08	3830.00	12.07	3832.00	12.07	3834.00	12.06	3836.00	12.05	3838.00	12.03
3840.00	12.03	3842.00	12.02	3844.00	12.01	3846.00	12.02	3848.00	12.01	3850.00	12.01	3852.00	12.01	3854.00	12.01
3856.00	12.02	3858.00	12.02	3860.00	12.01	3862.00	12.00	3864.00	12.00	3866.00	11.98	3868.00	11.97	3870.00	11.97
3872.00	11.96	3874.00	11.96	3876.00	11.96	3878.00	11.96	3880.00	11.95						

¹The National Aeronautics and Space Administration (NASA) Report CR-119 identifies an elevation of 10.97 feet at 1620 feet. This is considered a typographical error and has been corrected in Table 1. The elevation is 10.87 feet.

CS-25 BOOK 2

TABLE 2

**SF28R SEVERE BUMP MODIFICATIONS
PER ICAO ANNEX 14, SPECIFICATION 9.4.15**

Distance	Original Elevation (ft)	Modified Elevation (ft)
1530	11.18	11.10
1532	11.17	11.11
1534	11.14	11.11
1536	11.14	11.07
1538	11.12	11.04

AMC 25.509**Towbarless towing**

(a) General

Towbarless towing vehicles are generally considered as ground equipment and are as such not subject to direct approval by the (aircraft) certifying agencies. However, these vehicles should be qualified in accordance with the applicable SAE ARP documents. It should be ensured that the nose landing gear and supporting structure is not being overloaded (by static and dynamic (including fatigue) loads) during towbarless towing operations with these vehicles. This should be ensured by the aircraft manufacturer, either by specific investigations as described in subparagraphs (b) and (c) below, or alternatively, by publishing aircraft load limitations in a towbarless towing vehicle assessment document, to allow towbarless towing vehicle manufacturers to demonstrate their vehicles will not overload the aircraft.

(b) Limit static load cases

For the limit static load cases, the investigation may be conducted by rational analysis supported by test evidence. The investigation should take into account the influence on the towing loads of the tractive force of the towing vehicle including consideration of its weight and pavement roughness.

Furthermore, the investigation should include, but may not be limited to, the following towbarless towing operation scenarios:

(1) Pushback towing: Moving a fully loaded aircraft (up to Maximum Ramp Weight (MRW)) from the parking position to the taxiway. Movement includes: pushback with turn, a stop, and short tow forward to align aircraft and nose wheels. Engines may or may not be operating. Aeroplane movement is similar to a conventional pushback operation with a towbar.

(2) Maintenance towing: The movement of an aeroplane for maintenance/remote parking purposes (e.g. from the gate to a maintenance hangar). Aircraft is typically unloaded with minimal fuel load.

(3) Dispatch (operational) towing: Towing a revenue aircraft (loaded with passengers, fuel, and cargo up to Maximum Ramp Weight (MRW)) from the terminal gate/remote parking area to a location near the active runway. The movement may cover several kilometres with speeds according to SAE ARP 5283 technical standards, with several starts, stops, and turns. It replaces typical taxiing operations prior to take-off.

Operations that are explicitly prohibited need not to be addressed.

(c) Fatigue evaluation

Fatigue evaluation of the impact of towbarless towing on the airframe should be conducted under the provision of CS 25.571 and CS 25.1529.

Specifically, the contribution of the towbarless towing operational loads to the fatigue load spectra for the nose landing gear and its support structure needs to be evaluated. The impact of the towbarless towing on the certified life limits of the landing gear and supporting structure needs to be determined.

CS-25 BOOK 2

The fatigue spectra used in the evaluation should consist of typical service loads encountered during towbarless towing operations, which cover the loading scenarios noted above for static considerations. Furthermore, the spectra should be based on measured statistical data derived from simulated service operation or from applicable industry studies.

(d) Other considerations

Specific combinations of towbarless towing vehicle(s) and aircraft that have been assessed as described above and have been found to be acceptable, along with any applicable towing instructions and/or limitations should be specified in the Instructions for Continued Airworthiness as described in Appendix H, paragraph H25.3(a)(4) and in the Aeroplane Flight Manual as specified in AMC 25.745(d).

Aircraft braking, while the aircraft is under tow, may result in loads exceeding the aircraft's design load and may result in structural damage and/or nose gear collapse. For these reasons, the aircraft manufacturer should ensure that the appropriate information is provided in the Aeroplane Maintenance Manual and in the Aeroplane Flight Manual to preclude aircraft braking during normal towbarless towing. Appropriate information should also be provided in the Instructions for Continued Airworthiness to inspect the affected structure should aircraft braking occur, for example in an emergency situation.

[Amdt No: 25/13]

AMC 25.561

General

In complying with the provisions of CS 25.561(b) & (c), the loads arising from the restraint of seats and items of equipment etc. should be taken into the structure to a point where the stresses can be dissipated (e.g. for items attached to the fuselage floor, the load paths from the attachments through to the fuselage primary structure should be taken into account).

AMC 25.561 (b)(3)

Commercial Accommodation Equipment

Commercial accommodation equipment complying only with FAR 25.561 pre-Amendment 25-91 need additional substantiation by analysis, tests or combination thereof to cover the 1.33 factor for their attachments as specified in CS 25.561 (c).

[Amdt. No.: 25/11]

AMC 25.561(d)

General

For the local attachments of seats and items of mass it should be shown by analysis and/or tests that under the specified load conditions, the intended retaining function in each direction is still available.

AMC 25.571(a), (b) and (e)

Damage Tolerance and Fatigue Evaluation of Structure

1 INTRODUCTION

1.1 The contents of this AMC are considered by the Agency in determining compliance with the damage-tolerance and fatigue requirements of CS 25.571.

1.1.1 Although a uniform approach to the evaluation required by CS 25.571 is desirable, it is recognised that in such a complex field new design features and methods of fabrication, new approaches to the evaluation, and new configurations could necessitate variations and deviations from the procedures described in this AMC.

CS-25 BOOK 2

1.1.2 Damage-tolerance design is required, unless it entails such complications that an effective damage-tolerant structure cannot be achieved within the limitations of geometry, inspectability, or good design practice. Under these circumstances, a design that complies with the fatigue evaluation (safe-life) requirements is used. Typical examples of structure that might not be conducive to damage-tolerance design are landing gear, engine mounts, and their attachments.

1.1.3 Experience with the application of methods of fatigue evaluation indicate that a test background should exist in order to achieve the design objective. Even under the damage-tolerance method discussed in paragraph 2, 'Damage-tolerance (fail-safe) evaluation', it is the general practice within industry to conduct damage-tolerance tests for design information and guidance purposes. Damage location and growth data should also be considered in establishing a recommended inspection programme.

1.1.4 Assessing the fatigue characteristics of certain structural elements, such as major fittings, joints, typical skin units, and splices, to ensure that the anticipated service life can reasonably be attained, is needed for structure to be evaluated under CS 25.571(c).

1.2 *Typical Loading Spectra Expected in Service.* The loading spectrum should be based on measured statistical data of the type derived from government and industry load history studies and, where insufficient data are available, on a conservative estimate of the anticipated use of the aeroplane. The principal loads that should be considered in establishing a loading spectrum are flight loads (gust and manoeuvre), ground loads (taxiing, landing impact, turning, engine runup, braking, and towing) and pressurisation loads. The development of the loading spectrum includes the definition of the expected flight plan which involves climb, cruise, descent, flight times, operational speeds and altitudes, and the approximate time to be spent in each of the operating regimes. Operations for crew training, and other pertinent factors, such as the dynamic stress characteristics of any flexible structure excited by turbulence, should also be considered. For pressurised cabins, the loading spectrum should include the repeated application of the normal operating differential pressure, and the super-imposed effects of flight loads and external aerodynamic pressures.

1.3 *Components to be Evaluated.* In assessing the possibility of serious fatigue failures, the design should be examined to determine probable points of failure in service. In this examination, consideration should be given, as necessary, to the results of stress analyses, static tests, fatigue tests, strain gauge surveys, tests of similar structural configurations, and service experience. Service experience has shown that special attention should be focused on the design details of important discontinuities, main attachment fittings, tension joints, splices, and cutouts such as windows, doors and other openings. Locations prone to accidental damage (such as that due to impact with ground servicing equipment near aeroplane doors) or to corrosion should also be considered.

1.4 *Analyses and Tests.* Unless it is determined from the foregoing examination that the normal operating stresses in specific regions of the structure are of such a low order that serious damage growth is extremely improbable, repeated load analyses or tests should be conducted on structure representative of components or sub-components of the wing, control surfaces, empennage, fuselage, landing gear, and their related primary attachments. Test specimens should include structure representative of attachment fittings, major joints, changes in section, cutouts, and discontinuities. Any method used in the analyses should be supported, as necessary, by test or service experience. Generally it will be required to substantiate the primary structure against the provisions of CS 25.571(b) and (c) by representative testing. The nature and extent of tests on complete structures or on portions of the primary structure will depend upon applicable previous design and structural tests, and service experience with similar structures. The scope of the analyses and supporting test programmes should be agreed with the Agency.

1.5 *Repeated Load Testing.* In the event of any repeated load testing necessary to support the damage tolerance or safe-life objectives of CS 25.571(b) and (c) respectively not being concluded at the issuance of type certificate, at least one year of safe operation should be substantiated at the time of certification. In order not to invalidate the certificate of airworthiness the fatigue substantiation should stay sufficiently ahead of the service exposure of the lead aeroplane.

CS-25 BOOK 2

2 DAMAGE-TOLERANCE (FAIL-SAFE) EVALUATION

2.1 *General.* The damage-tolerance evaluation of structure is intended to ensure that should serious fatigue, corrosion, or accidental damage occur within the operational life of the aeroplane, the remaining structure can withstand reasonable loads without failure or excessive structural deformation until the damage is detected. Included are the considerations historically associated with fail-safe design. The evaluation should encompass establishing the components which are to be designed as damage-tolerant, defining the loading conditions and extent of damage, conducting sufficient representative tests and/or analyses to substantiate the design objectives (such as life to crack-initiation, crack propagation rate and residual strength) have been achieved and establishing data for inspection programmes to ensure detection of damage. Interpretation of the test results should take into account the scatter in crack propagation rates as well as in lives to crack-initiation. Test results should be corrected to allow for variations between the specimen and the aeroplane component thickness and sizes. This evaluation applies to either single or multiple load path structure.

2.1.1 Design features which should be considered in attaining a damage-tolerant structure include the following:

- a. Multiple load path construction and the use of crack stoppers to control the rate of crack growth, and to provide adequate residual static strength;
- b. Materials and stress levels that, after initiation of cracks, provide a controlled slow rate of crack propagation combined with high residual strength. For single load path discrete items, such as control surface hinges, wing spar joints or stabiliser pivot fittings the failure of which could be catastrophic, it should be clearly demonstrated that cracks starting from material flaws, manufacturing errors or accidental damage (including corrosion) have been properly accounted for in the crack propagation estimate and inspection method;
- c. Arrangement of design details to ensure a sufficiently high probability that a failure in any critical structural element will be detected before the strength has been reduced below the level necessary to withstand the loading conditions specified in CS 25.571(b) so as to allow replacement or repair of the failed elements; and
- d. Provisions to limit the probability of concurrent multiple damage, particularly after long service, which could conceivably contribute to a common fracture path. The achievement of this would be facilitated by ensuring sufficient life to crack-initiation. Examples of such multiple damage are –
 - i. A number of small cracks which might coalesce to form a single long crack;
 - ii. Failures, or partial failures, in adjacent areas, due to the redistribution of loading following a failure of a single element; and
 - iii. Simultaneous failure, or partial failure, of multiple load path discrete elements, working at similar stress levels.

In practice it may not be possible to guard against the effects of multiple damage and fail-safe substantiation may be valid only up to a particular life which would preclude multiple damage.

e. The aeroplane may function safely with an element missing. This feature would be admitted only, provided its separation will not prevent continued safe flight and landing and the probability of occurrence is acceptably low.

2.1.2 In the case of damage which is readily detectable within a short period (50 flights, say) for which CS 25.571(b) allows smaller loads to be used, this relates to damage which is large enough to be detected by obvious visual indications during walk around, or by indirect means such as cabin pressure loss, cabin noise, or fuel leakage. In such instances, and in the absence of a probability approach the residual load levels except for the trailing edge flaps may be reduced to not less than the following:

CS-25 BOOK 2

a. The maximum normal operating differential pressure (including the expected external aerodynamic pressures under 1g level flight) multiplied by a factor of 1.10 omitting other loads.

b. 85% of the limit flight manoeuvre and ground conditions of CS 25.571(b)(1) to (6) inclusive, excluding (5)(ii) and separately 75% of the limit gust velocities (vertical or lateral) as specified at speeds up to V_C in CS 25.571(b)(2) and (b)(5)(i). On the other hand if the probability approach is used the residual load levels may not in any case be lower than the values given in paragraph 2.7.2 of this AMC for one flight exposure. In the case where fatigue damage is arrested at a readily detectable size following rapid crack growth or a sudden load path failure under the application of high loads, the structure must be able to withstand the loads defined in CS 25.571(b)(1) to (6) inclusive up to that size of damage. For the subsequent growth of that damage, lower loads as stated above may be used.

2.2 *Identification of Principal Structural Elements.* Principal structural elements are those which contribute significantly to carrying flight, ground, and pressurisation loads, and whose failure could result in catastrophic failure of the aeroplane. Typical examples of such elements are as follows:

2.2.1 *Wing and empennage*

- a. Control surfaces, slats, flaps and their attachment hinges and fittings;
- b. Integrally stiffened plates;
- c. Primary fittings;
- d. Principal splices;
- e. Skin or reinforcement around cutouts or discontinuities;
- f. Skin-stringer combinations;
- g. Spar caps; and
- h. Spar webs.

2.2.2 *Fuselage*

- a. Circumferential frames and adjacent skin;
- b. Door frames;
- c. Pilot window posts;
- d. Pressure bulkheads;
- e. Skin and any single frame or stiffener element around a cutout;
- f. Skin or skin splices, or both, under circumferential loads;
- g. Skin or skin splices, or both, under fore-and-aft loads;
- h. Skin around a cutout;
- i. Skin and stiffener combinations under fore-and-aft loads; and
- j. Window frames.

CS-25 BOOK 2

2.3 *Extent of Damage.* Each particular design should be assessed to establish appropriate damage criteria in relation to inspectability and damage-extension characteristics. In any damage determination, including those involving multiple cracks, it is possible to establish the extent of damage in terms of detectability with the inspection techniques to be used, the associated initially detectable crack size, the residual strength capabilities of the structure, and the likely damage-extension rate considering the expected stress redistribution under the repeated loads expected in service and with the expected inspection frequency. Thus, an obvious partial failure could be considered to be the extent of the damage or residual strength assessment, provided a positive determination is made that the fatigue cracks will be detectable by the available inspection techniques at a sufficiently early stage of the crack development. In a pressurised fuselage, an obvious partial failure might be detectable through the inability of the cabin to maintain operating pressure or controlled decompression after occurrence of the damage. The following are typical examples of partial failures which should be considered in the evaluation:

2.3.1 Detectable skin cracks emanating from the edge of structural openings or cutouts;

2.3.2 A detectable circumferential or longitudinal skin crack in the basic fuselage structure;

2.3.3 Complete severance of interior frame elements or stiffeners in addition to a detectable crack in the adjacent skin;

2.3.4 A detectable failure of one element where dual construction is utilised in components such as spar caps, window posts, window or door frames, and skin structure;

2.3.5 The presence of a detectable fatigue failure in at least the tension portion of the spar web or similar element; and

2.3.6 The detectable failure of a primary attachment, including a control surface hinge and fitting.

2.4 *Inaccessible Areas.* Every reasonable effort should be made to ensure inspectability of all structural parts, and to qualify them under the damage-tolerance provisions. In those cases where inaccessible and uninspectable blind areas exist, and suitable damage tolerance cannot practically be provided to allow for extension of damage into detectable areas, the structure should be shown to comply with the fatigue (safe-life) requirements in order to ensure its continued airworthiness. In this respect particular attention should be given to the effects of corrosion.

2.5 *Testing of Principal Structural Elements.* The nature and extent of tests on complete structures or on portions of the primary structure will depend upon applicable previous design, construction, tests, and service experience, in connection with similar structures. Simulated cracks should be as representative as possible of actual fatigue damage. Where it is not practical to produce actual fatigue cracks, damage can be simulated by cuts made with a fine saw, sharp blade, guillotine, or other suitable means. In those cases where bolt failure, or its equivalent, is to be simulated as part of a possible damage configuration in joints or fittings, bolts can be removed to provide that part of the simulation, if this condition would be representative of an actual failure under typical load. Where accelerated crack propagation tests are made, the possibility of creep cracking under real time pressure conditions should be recognised especially as the crack approaches its critical length.

2.6 *Identification of Locations to be Evaluated.* The locations of damage to structure for damage-tolerances evaluation should be identified as follows:

2.6.1 *Determination of General Damage Locations.* The location and modes of damage can be determined by analysis or by fatigue tests on complete structures or subcomponents. However, tests might be necessary when the basis for analytical prediction is not reliable, such as for complex components. If less than the complete structure is tested, care should be taken to ensure that the internal loads and boundary conditions are valid. Any tests should be continued sufficiently beyond the expected service life to ensure that, as far as practicable, the likely locations and extent of crack initiation are discovered.

CS-25 BOOK 2

a. If a determination is made by analysis, factors such as the following should be taken into account:

- i. Strain data on undamaged structure to establish points of high stress concentration as well as the magnitude of the concentration;
- ii. Locations where permanent deformation occurred in static tests;
- iii. Locations of potential fatigue damage identified by fatigue analysis; and
- iv. Design details which service experience of similarly designed components indicate are prone to fatigue or other damage.

b. In addition, the areas of probable damage from sources such as corrosion, disbonding, accidental damage or manufacturing defects should be determined from a review of the design and past service experience.

2.6.2 *Selection of Critical Damage Areas.* The process of actually locating where damage should be simulated in principal structural elements identified in paragraph 2.2 of this AMC should take into account factors such as the following:

- a. Review analysis to locate areas of maximum stress and low margin of safety;
- b. Selecting locations in an element where the stresses in adjacent elements would be the maximum with the damage present;
- c. Selecting partial fracture locations in an element where high stress concentrations are present in the residual structure; and
- d. Selecting locations where detection would be difficult.

2.7 *Damage-tolerance Analysis and Tests.* It should be determined by analysis, supported by test evidence, that the structure with the extent of damage established for residual strength evaluation can withstand the specified design limit loads (considered as ultimate loads), and that the damage growth rate under the repeated loads expected in service (between the time at which the damage becomes initially detectable and the time at which the extent of damage reaches the value for residual strength evaluation) provides a practical basis for development of the inspection programme and procedures described in paragraph 2.8 of this AMC. The repeated loads should be as defined in the loading, temperature, and humidity spectra. The loading conditions should take into account the effects of structural flexibility and rate of loading where they are significant.

2.7.1 The damage-tolerance characteristics can be shown analytically by reliable or conservative methods such as the following:

- a. By demonstrating quantitative relationships with structure already verified as damage tolerant;
- b. By demonstrating that the damage would be detected before it reaches the value for residual strength evaluation; or
- c. By demonstrating that the repeated loads and limit load stresses do not exceed those of previously verified designs of similar configuration, materials and inspectability.

2.7.2 The maximum extent of immediately obvious damage from discrete sources should be determined and the remaining structure shown to have static strength for the maximum load (considered as ultimate load) expected during the completion of the flight. In the absence of a rational analysis the following ultimate loading conditions should be covered:

- a. *At the time of the incident:*

CS-25 BOOK 2

i. The maximum normal operating differential pressure (including the expected external aerodynamic pressures during 1 g level flight) multiplied by a factor 1.1 combined with 1 g flight loads.

ii. The aeroplane, assumed to be in 1g level flight should be shown to be able to survive the overswing condition due to engine thrust asymmetry and pilot corrective action taking into account any damage to the flight controls which it is presumed the aeroplane has survived.

b. *Following the incident:* 70% limit flight manoeuvre loads and, separately, 40% of the limit gust velocity (vertical or lateral) as specified at V_C up to the maximum likely operational speed following failure, each combined with the maximum appropriate cabin differential pressure (including the expected external aerodynamic pressures). Further, any loss in structural stiffness which might arise should be shown to result in no dangerous reduction in freedom from flutter up to speed V_C/M_C .

2.8 *Inspection.* Detection of damage before it becomes dangerous is the ultimate control in ensuring the damage-tolerance characteristics of the structure. Therefore, the applicant should provide sufficient guidance information to assist operators in establishing the frequency, extent, and methods of inspection of the critical structure, and this kind of information must, under CS 25.571(a)(3), be included in the maintenance manual required by CS 25.1529. Due to the inherent complex interactions of the many parameters affecting damage tolerance, such as operating practices, environmental effects, load sequence on crack growth, and variations in inspection methods, related operational experience should be taken into account in establishing inspection procedures. It is extremely important to ensure by regular inspection the detection of damage in areas vulnerable to corrosion or accidental damage. However for crack initiation arising from fatigue alone, the frequency and extent of the inspections may be reduced during the period up to the demonstrated crack-free life of the part of the structure, including appropriate scatter factors (see paragraph 3.2). Comparative analysis can be used to guide the changes from successful past practice when necessary. Therefore, maintenance and inspection requirements should recognise the dependence on experience and should be specified in a document that provides for revision as a result of operational experience, such as the one containing the Manufacturers Recommended Structural Inspection Programme.

3 FATIGUE (SAFE-LIFE) EVALUATION

3.1 Reserved

3.2 *Fatigue (Safe life) evaluation*

3.2.1 *General.* The evaluation of structure under the following fatigue (safe-life) strength evaluation methods is intended to ensure that catastrophic fatigue failure, as a result of the repeated loads of variable magnitude expected in service, will be avoided throughout the structure's operational life. Under these methods the fatigue life of the structure should be determined. The evaluation should include the following:

- a. Estimating, or measuring the expected loading spectra for the structure;
- b. Conducting a structural analysis including consideration of the stress concentration effects;
- c. Performing fatigue testing of structure which cannot be related to a test background to establish response to the typical loading spectrum expected in service;
- d. Determining reliable replacement times by interpreting the loading history, variable load analyses, fatigue test data, service experience, and fatigue analysis;
- e. Evaluating the possibility of fatigue initiation from sources such as corrosion, stress corrosion, disbonding, accidental damage and manufacturing defects based on a review of the design, quality control and past service experience; and

CS-25 BOOK 2

f. Providing necessary maintenance programmes and replacement times to the operators. The maintenance programme should be included in Instructions for Continued Airworthiness in accordance with CS 25.1529.

3.2.2 *Scatter Factor for Safe-Life Determination.* In the interpretation of fatigue analyses and test data, the effect of variability should, under CS 25.571(c), be accounted for by an appropriate scatter factor. In this process it is appropriate that the applicant justify the scatter factor chosen for any safe-life part. The following guidance is provided (see Figure 1):

a. The base scatter factors applicable to test results are: $BSF_1 = 3.0$, and $BSF_2 =$ (see paragraph 3.2.2(e) of this AMC). If the applicant can meet the requirements of 3.2.2(c) of this AMC he may use BSF_1 or, at his option, BSF_2 .

b. The base scatter factor, BSF_1 , is associated with test results of one representative test specimen.

c. *Justification for use of BSF_1 .* BSF_1 may only be used if the following criteria are met:

i. *Understanding of load paths and failure modes.* Service and test experience of similar in-service components that were designed using similar design criteria and methods should demonstrate that the load paths and potential failure modes of the components are well understood.

ii. *Control of design, material, and manufacturing process quality.* The applicant should demonstrate that his quality system (e.g. design, process control, and material standards) ensures the scatter in fatigue properties is controlled, and that the design of the fatigue critical areas of the part account for the material scatter.

iii. *Representativeness of the test specimen.*

A. The test article should be full scale (component or sub-component) and represent that portion of the production aircraft requiring test. All differences between the test article and production article should be accounted for either by analysis supported by test evidence or by testing itself.

B. Construction details, such as bracket attachments, clips, etc., should be accounted for, even though the items themselves may be non-load bearing.

C. Points of load application and reaction should accurately reflect those of the aircraft, ensure correct behaviour of the test article, and guard against uncharacteristic failures.

D. Systems used to protect the structure against environmental degradation can have a negative effect on fatigue life and therefore should be included as part of the test article.

d. *Adjustments to base scatter factor BSF_1 .* Having satisfied the criteria of paragraph 3.2.2(c), justifying the use of BSF_1 , the base value of 3.0 should be adjusted to account for the following considerations, as necessary, where not wholly taken into account by design analysis. As a result of the adjustments, the final scatter factor may be less than, equal to, or greater than 3.0.

i. *Material fatigue scatter.* Material properties should be investigated up to a 99% probability of survival and a 95% level of confidence.

ii. *Spectrum severity.* Test load spectrum should be derived based on a spectrum sensitive analysis accounting for variations in both utilisation (i.e. aircraft weight, cg etc.) and occurrences / size of loads. The test loads spectrum applied to the structure should be demonstrated to be conservative when compared to the usage expected in service.

iii. *Number of representative test specimens.* Well established statistical methods should be used that associate the number of items tested with the distribution chosen, to obtain an adjustment to the base scatter factor.

CS-25 BOOK 2

e. If the applicant cannot satisfy the intent of all of paragraph 3.2.2(c) of this AMC, BSF_2 should be used.

i. The applicant should propose scatter factor BSF_2 based on careful consideration of the following issues: the required level of safety, the number of representative test specimens, how representative the test is, expected fatigue scatter, type of repeated load test, the accuracy of the test loads spectrum, spectrum severity, and the expected service environmental conditions.

ii. In no case should the value of BSF_2 be less than 3.0.

f. *Resolution of test loadings to actual loadings.* The applicant may use a number of different approaches to reduce both the number of load cycles and number of test set-ups required. Due to the modifications to the flight-by-flight loading sequence, the applicant should propose either analytical or empirical approaches to quantify an adjustment to the number of test cycles which represents the difference between the test spectrum and assumed flight-by-flight spectrum. In addition, an adjustment to the number of test cycles may be justified by raising or lowering the test load levels as long as appropriate data support the applicant's position. Other effects to be considered are different failure locations, different response to fretting conditions, temperature effects, etc. The analytical approach should use well established methods or be supported by test evidence.

[Amdt. No.:25/2]

CS-25 BOOK 2

SCATTER FACTOR FLOW CHART

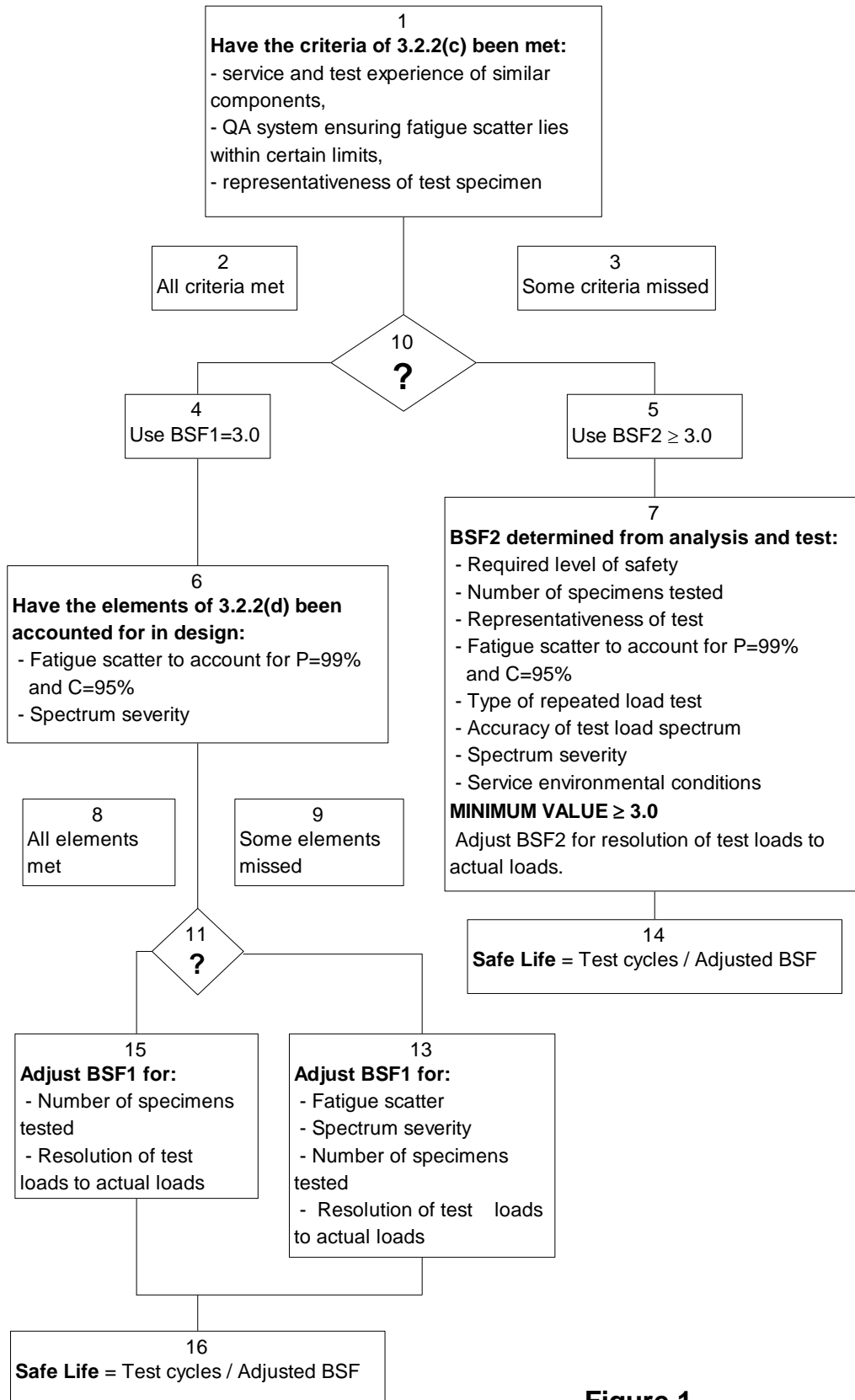


Figure 1

CS-25 BOOK 2

3.3 *Replacement Times.* Replacement times should be established for parts with established safe-lives and should, under CS 25.571(a)(3), be included in the information prepared under CS 25.1529. These replacement times can be extended if additional data indicates an extension is warranted. Important factors which should be considered for such extensions include, but are not limited to, the following:

3.3.1 Comparison of original evaluation with service experience;

3.3.2 *Recorded Load and Stress Data.* Recorded load and stress data entails instrumenting aeroplanes in service to obtain a representative sampling of actual loads and stresses experienced. The data to be measured includes airspeed, altitude, and load factor versus time data; or airspeed, altitude and strain ranges versus time data; or similar data. This data, obtained by instrumenting aeroplanes in service, provides a basis for correlating the estimated loading spectrum with the actual service experience;

3.3.3 *Additional Analyses and Tests.* If test data and analyses based on repeated load tests of additional specimens are obtained, a re-evaluation of the established safe-life can be made;

3.3.4 *Tests of Parts Removed from Service.* Repeated load tests of replaced parts can be utilised to re-evaluate the established safe-life. The tests should closely simulate service loading conditions. Repeated load testing of parts removed from service is especially useful where recorded load data obtained in service are available since the actual loading experienced by the part prior to replacement is known; and

3.3.5 *Repair or Rework of the Structure.* In some cases, repair or rework of the structure can gain further life.

3.4 *Type Design Developments and Changes.* For design developments, or design changes, involving structural configurations similar to those of a design already shown to comply with the applicable provisions of CS 25.571(c), it might be possible to evaluate the variations in critical portions of the structure on a comparative basis. Typical examples would be redesign of the wing structure for increased loads, and the introduction in pressurised cabins of cutouts having different locations or different shapes, or both. This evaluation should involve analysis of the predicted stresses of the redesigned primary structure and correlation of the analysis with the analytical and test results used in showing compliance of the original design with CS 25.571(c).

AMC 25.571(b) and (e) Damage-tolerance (fail-safe) Evaluation

In the above mentioned conditions the dynamic effects are included except that if significant changes in stiffness and/or geometry follow from the failure or partial failure the response should be further investigated.

AMC 25.581 Lightning Protection

1 EXTERNAL METAL PARTS

1.1 External metal parts should either be –

a. Electrically bonded to the main earth system by primary bonding paths, or

b. So designed and/or protected that a lightning discharge to the part (e.g. a radio aerial) will cause only local damage which will not endanger the aeroplane or its occupants.

CS-25 BOOK 2

1.2 In addition, where internal linkages are connected to external parts (e.g. control surfaces), the linkages should be bonded to main earth or airframe by primary bonding paths as close to the external part as possible.

1.3 Where a primary conductor provides or supplements the primary bonding path across an operating jack (e.g. on control surfaces or nose droop) it should be of such an impedance and so designed as to limit to a safe value the passage of current through the jack.

1.4 In considering external metal parts, consideration should be given to all flight configurations (e.g. lowering of landing gear and wing-flaps) and also the possibility of damage to the aeroplane electrical system due to surges caused by strikes to protuberances (such as pitot heads) which have connections into the electrical system.

2 EXTERNAL NON-METALLIC PARTS

2.1 External non-metallic parts should be so designed and installed that –

- a. They are provided with effective lightning diverters which will safely carry the lightning discharges described in EUROCAE document ED-84 (including Amendment N°1 dated 06/09/99) titled : Aircraft Lightning Environment and Related Test Waveforms, or equivalent SAE ARP5412 document.
- b. Damage to them by lightning discharges will not endanger the aeroplane or its occupants, or
- c. A lightning strike on the insulated portion is improbable because of the shielding afforded by other portions of the aeroplane.

Where lightning diverters are used the surge carrying capacity and mechanical robustness of associated conductors should be at least equal to that required for primary conductors.

2.2 Where unprotected non-metallic parts are fitted externally to the aeroplane in situations where they may be exposed to lightning discharges (e.g. radomes) the risks include the following:

- a. The disruption of the materials because of rapid expansion of gases within them (e.g. water vapour),
- b. The rapid build up of pressure in the enclosures provided by the parts, resulting in mechanical disruption of the parts themselves or of the structure enclosed by them,
- c. Fire caused by the ignition of the materials themselves or of the materials contained within the enclosures, and
- d. Holes in the non-metallic part which may present a hazard at high speeds.

2.3 The materials used should not absorb water and should be of high dielectric strength in order to encourage surface flash-over rather than puncture. Laminates made entirely from solid material are preferable to those incorporating laminations of cellular material.

2.4 Those external non-metallic part which is not classified as primary structure should be protected by primary conductors.

2.5 Where damage to an external non-metallic part which is not classified as primary structure may endanger the aeroplane, the part should be protected by adequate lightning diverters.

2.6 Confirmatory tests may be required to check the adequacy of the lightning protection provided (e.g. to confirm the adequacy of the location and size of bonding strips on a large radome.)

CS-25 BOOK 2**AMC – SUBPART D****AMC 25.603(b)**
Approved Material Specifications

Approved material specifications can be for example industry or military specifications, or European Technical Standard Orders.

AMC 25.607
Fasteners

FAA Advisory Circular AC 20-71 Dual Locking Devices on Fasteners, date 12-8-70, is accepted by the Agency as providing acceptable means of compliance with CS 25.607.

AMC 25.609
Protection of Structure

The comprehensive and detailed material standards accepted in the member states will be accepted as satisfying the requirement of CS 25.609.

AMC 25.613
Material Strength Properties and Material Design Values

1. *Purpose.* This AMC sets forth an acceptable means, but not the only means, of demonstrating compliance with the provisions of CS-25 related to material strength properties and material design values.

2. *Related Certification Specifications.*

CS 25.571 "Damage-tolerance and fatigue evaluation of structure"
CS 25.603 "Materials"
CS 25.613 "Material strength properties and material design values"

3. *General.* CS 25.613 contains the requirements for material strength properties and material design values. Material properties used for fatigue and damage tolerance analysis are addressed by CS 25.571 and AMC 25.571(a).

4. *Material Strength Properties and Material Design Values.*

4.1. *Definitions.*

Material strength properties. Material properties that define the strength related characteristics of any given material. Typical examples of material strength properties are: ultimate and yield values for compression, tension, bearing, shear, etc.

Material design values. Material strength properties that have been established based on the requirements of CS 25.613(b) or other means as defined in this AMC. These values are generally statistically determined based on enough data that when used for design, the probability of structural failure due to material variability will be minimised. Typical values for moduli can be used.

Aeroplane operating envelope. The operating limitations defined for the product under Subpart G of CS-25.

4.2. *Statistically Based Design Values.* Design values required by CS 25.613(b) must be based on sufficient testing to assure a high degree of confidence in the values. In all cases, a statistical analysis of the test data must be performed.

CS-25 BOOK 2

The "A" and "B" properties published in "The Metallic Materials Properties Development and Standardization (MMPDS) handbook" or ESDU 00932 are acceptable, as are the statistical methods specified in the applicable chapters/sections of these handbooks. Other methods of developing material design values may be acceptable to the Agency.

The test specimens used for material property certification testing should be made from material produced using production processes. Test specimen design, test methods and testing should:

- (i) conform to universally accepted standards such as those of the American Society for Testing Materials (ASTM), European Aerospace Series Standards (EN), International Standard Organisation (ISO), or other national standards acceptable to the Agency, or:
- (ii) conform to those detailed in the applicable chapters/sections of "The Metallic Materials Properties Development and Standardization (MMPDS) handbook", MIL-HDBK-17, ESDU 00932 or other accepted equivalent material data handbooks, or:
- (iii) be accomplished in accordance with an approved test plan which includes definition of test specimens and test methods. This provision would be used, for example, when the material design values are to be based on tests that include effects of specific geometry and design features as well as material.

The Agency may approve the use of other material test data after review of test specimen design, test methods, and test procedures that were used to generate the data.

- 4.3. *Consideration of Environmental Conditions.* The material strength properties of a number of materials, such as non-metallic composites and adhesives, can be significantly affected by temperature as well as moisture absorption. For these materials, the effects of temperature and moisture should be accounted for in the determination and use of material design values. This determination should include the extremes of conditions encountered within the aeroplane operating envelope. For example, the maximum temperature of a control surface may include effects of direct and reflected solar radiation, convection and radiation from a black runway surface and the maximum ambient temperature. Environmental conditions other than those mentioned may also have significant effects on material design values for some materials and should be considered.
- 4.4. *Use of Higher Design Values Based on Premium Selection.* Design values greater than those determined under CS 25.613(b) may be used if a premium selection process is employed in accordance with CS 25.613(e). In that process, individual specimens are tested to determine the actual strength properties of each part to be installed on the aircraft to assure that the strength will not be less than that used for design.

If the material is known to be anisotropic then testing should account for this condition.

If premium selection is to be used, the test procedures and acceptance criteria must be specified on the design drawing.

- 4.5. *Other Material Design Values.* Previously used material design values, with consideration of the source, service experience and application, may be approved by the Agency on a case by case basis (e.g. "S" values of "The Metallic Materials Properties Development and Standardization (MMPDS) handbook" or ESDU 00932).
- 4.6. *Material Specifications and Processes.* Materials should be produced using production specifications and processes accepted by the Agency.

[Amdt. No.: 25/1]

AMC 25.621
Casting Factors

- 1. *Purpose.*

CS-25 BOOK 2

CS 25.621 is an additional rule/requirement for structural substantiation of cast parts and components. It is used in combination with a number of other paragraphs, and does not replace or negate compliance with any other paragraph of CS-25. The intent of this AMC is to provide general guidance on the use and background of "Casting Factors" as required by CS 25.621.

2. *General Guidance For Use Of Casting Factors.*

- 2.1 For the analysis or testing required by CS 25.307, the ultimate load level must include limit load multiplied by the required factor required by CS 25.619. The testing required in accordance with CS 25.621 may be used in showing compliance with CS 25.305 and CS 25.307. These factors need not be considered in the fatigue and damage tolerance evaluations required by CS 25.571.
- 2.2 The inspection methods prescribed by CS 25.621(c) and (d) for all production castings must be such that 100% of the castings are inspected by visual and liquid penetrant techniques, with total coverage of the surface of the casting. With regard to the required radiographic inspection, each production casting must be inspected by this technique or equivalent inspection methods; the inspection may be limited to the structurally significant internal areas and areas where defects are likely to occur.
- 2.3 With the establishment of consistent production, it is possible to reduce the inspection frequency of the non-visual inspections required by the rule for non-critical castings, with the acceptance of the Agency. This is usually accomplished by an accepted quality control procedure incorporating a sampling plan. (Refer to CS 25.621(d)(5).)
- 2.4 The static test specimen(s) should be selected on the basis of the foundry quality control inspections, in conjunction with those inspections prescribed in CS 25.621(c) and (d). An attempt should be made to select the worst casting(s) from the first batch produced to the production standard.
- 2.5 If applicable, the effects on material properties due to weld rework should be addressed. The extent and scope of weld rework should be detailed in the manufacturing specifications as well as on the design drawings.

3. *Background.*

- 3.1 *Regulatory Background.* CS 25.621 ("Casting factors") requires classification of structural castings as either "critical" or "non-critical." Depending on classification, the requirement specifies the accomplishment of certain inspections and tests, and the application of special factors of safety for ultimate strength and deformation.
- 3.2 *Application of Special Factors of Safety.* The application of factors of safety applied to castings is based on the fact that the casting process can be inconsistent. Casting is a method of forming an object by pouring molten metal into a mould, allowing the material to solidify inside the mould, and removing it when solidification is complete. Castings are subject to variability in mechanical properties due to this casting process, which can result in imperfections, such as voids, within the cast part. Using certain inspection techniques, for example radiographic (X-ray), it is possible to detect such imperfections above a minimum detectable size, but accurate detection depends on the dimensions of the part, the inspection equipment used, and the skill of the inspector.
 - 3.2.1 CS 25.619 ("Special factors") includes a requirement to apply a special factor to the factor of safety prescribed in CS 25.303 for each part of the aeroplane structure whose strength is subject to appreciable variability because of uncertainties in the manufacturing processes or inspection methods. Since the mechanical properties of a casting depend on the casting design, the design values established under CS 25.613 ("Material strength properties and material design values") for one casting might not be applicable to another casting made to the same specification. Thus,

CS-25 BOOK 2

casting factors have been necessary for castings produced by normal techniques and methodologies to ensure the structural integrity of castings in light of these uncertainties.

3.2.2 Another approach is to reduce the uncertainties in the casting manufacturing process by use of a “premium casting process” (discussed in AMC 25.621(c)(1)), which provides a means of using a casting factor of 1.0. CS 25.621 (“Casting factors”) does permit the use of a casting factor of 1.0 for critical castings, provided that:

- the manufacturer has established tight controls for the casting process, inspection, and testing; and
- the material strength properties of the casting have no more variability than equivalent wrought alloys.

[Amdt. No.: 25/1]

**AMC 25.621(c)
Critical Castings**

Examples of castings that may be critical are: structural attachment fittings; parts of flight control systems; control surface hinges and balance weight attachments; seat, berth, safety belt and fuel and oil tank supports and attachments; pressurised doors; and cabin pressure valves.

[Amdt. No.: 25/1]

**AMC 25.621(c)(1)
Premium Castings**

1. *Purpose.*

This AMC details an acceptable means, but not the only means, for compliance with CS 25.621 for using a casting factor of 1.0 or greater for “critical” castings used in structural applications. A premium casting process is capable of producing castings with predictable properties, thus allowing a casting factor of 1.0 to be used for these components. Three major steps, required by CS 25.621(c)(1)(i), are essential in characterising a premium casting process:

- qualification of the process,
- proof of the product, and
- monitoring of the process.

2. *Definitions.* For the purposes of this AMC, the following definitions apply:

2.1 *Premium Casting Process:* a casting process that produces castings characterised by a high quality and reliability

2.2 *Prolongation:* an integrally cast test bar or test coupon.

2.3 *Test Casting:* a casting produced specifically for the purpose of qualifying the casting process.

3. *General.* The objective of a premium casting process is to consistently produce castings with high quality and reliability. To this end, the casting process is one that is capable of consistently producing castings that include the following characteristics:

- Good dimensional tolerance
- Minimal distortion
- Good surface finish
- No cracks
- No cold shuts
- No laps

CS-25 BOOK 2

- Minimal shrinkage cavities
- No harmful entrapped oxide films
- Minimal porosity
- A high level of metallurgical cleanness
- Good microstructural characteristics
- Minimal residual internal stress
- Consistent mechanical properties

The majority of these characteristics can be detected, evaluated, and quantified by standard non-destructive testing methods, or from destructive methods on prolongation or casting cut-up tests. However, a number of them cannot. Thus, to ensure an acceptable quality of product, the significant and critical process variables must be identified and adequately controlled.

4. *A Means of Qualification of Casting Process.*

- 4.1 To prove a premium casting process, it should be submitted to a qualification program that is specific to a foundry/material combination. The qualification program should establish the following:
- (a) The capability of the casting process of producing a consistent quality of product for the specific material grade selected for the intended production component.
 - (b) The mechanical properties for the material produced by the process have population coefficients of variation equivalent to that of wrought products of similar composition (i.e., plate, extrusions, and bar). Usage of the population coefficient of variation from forged products does not apply. In most cases, the coefficients of variation for tensile ultimate strength and tensile yield strength less than or equal to 3.5% and 4.0% respectively is adequate to demonstrate this equivalency of mechanical properties.
 - (c) The casting process is capable of producing a casting with uniform properties throughout the casting or, if not uniform, with a distribution of material properties that can be predicted to an acceptable level of accuracy.
 - (d) The (initial) material design data for the specified material are established.
 - (e) The material and process specifications are clearly defined.
- 4.2 For each material specification, a series of test castings from a number of melts, using the appropriate production procedures of the foundry, should be manufactured. The test casting produced should undergo a standardised inspection or investigation of non-destructive inspection and cut-up testing, to determine the consistency of the casting process.
- 4.3 The test casting should be representative of the intended cast product(s) with regard to section thicknesses and complexity, and should expose any limitations of the casting process. In addition, the test casting should be large enough to provide mechanical test specimens from various areas, for tensile and, if applicable, compression, shear, bearing, fatigue, fracture toughness, and crack propagation tests. If the production component complies with these requirements, it may be used to qualify the process. The number of melts sampled should be statistically significant. Typically, at least 10 melts are sampled, with no more than 10 castings produced from each melt. If the material specification requires the components to be heat-treated, this should be done in no fewer than 10 heat treatment batches consisting of castings from more than one melt. Reduction of qualification tests may be considered if the casting process and the casting alloy is already well known for aerospace applications and the relevant data are available.
- 4.4 Each test casting should receive a non-destructive inspection program which should include as a minimum:
- inspection of 100% of its surface, using visual and liquid penetrant, or equivalent, inspection methods; and

CS-25 BOOK 2

- inspection of structurally significant internal areas and areas where defects are likely to occur, using radiographic methods or equivalent inspection methods. The specific radiographic standard to be employed is to be determined, and the margin by which the test castings exceed the minimum required standard should be recorded.

4.4.1 The program of inspection is intended to:

- (a) confirm that the casting process is capable of producing a consistent quality of product, and
- (b) verify compliance with the stated objectives of a premium casting process with regard to surface finish, cracks, cold shuts, laps, shrinkage cavities, and porosity, (see paragraph 3), and
- (c) ensure that the areas from which the mechanical property test samples were taken were typical of the casting as a whole with respect to porosity and cleanness.

4.4.2 Guidance on non-destructive inspection techniques and methods can be obtained from national and international standards. The standard listing below is not a comprehensive list but is given as an initial reference guide.

ASTM A802 Standard practice for steel castings, surface acceptance standards, visual examination.

ASTM A903 Standard specification for steel castings, surface acceptance standards, magnetic particle and liquid penetrant inspection.

ASTM E155 Standard Reference Radiographs for Inspection of Aluminum and Magnesium Castings.

ASTM E192 Standard Reference Radiographs for Investment Steel Castings of Aerospace Applications.

ASTM E433 Standard reference photographs for liquid penetrant inspection.

ASTM E1030 Standard test method for radiographic examination of metallic castings.

ASTM E1320 Standard Reference Radiographs for Titanium Castings.

ISO 4986 Steel castings -- Magnetic particle inspection

ISO 4987 Steel castings -- Penetrant inspection

ISO 4993 Steel castings -- Radiographic inspection

ISO 9915 Aluminium alloy castings -- Radiography testing

ISO 9916 Aluminium alloy and magnesium alloy castings -- Liquid penetrant inspection

ISO 10049 Aluminium alloy castings -- Visual method for assessing the porosity

ISO 11971 Visual examination of surface quality of steel castings

The test castings must show that the Foundry/Process combination is capable of producing product free of cracks, laps, and cold shuts. Ideally the test castings should be free of detectable shrinkage cavities and porosity. With regard to dimensional tolerance, distortion, and surface finish guidance for acceptance criteria can be gained from the standards cited above. Consideration that these standards are for general quality castings must be given when they are used.

- 4.5 All test castings should be cut up to a standardised methodology to produce the mechanical test specimens as detailed by paragraph 4.3 above. Principally, the tests are to establish the variability within the cast component, as well as to determine the variability between components from the same melt and from melt to melt. The data gathered also may be used during latter phases to identify deviations from the limits established in the process qualification and product proving programs.
- 4.6 All the fracture surfaces generated during the qualification program should be inspected at least visually for detrimental defects. Evidence of inclusions, oxide films, porosity or shrinkage cavities would indicate inadequate control of the casting process.

CS-25 BOOK 2

4.7 As part of the cut-up investigation, it is usually necessary to take metallographic samples for cleanness determination and microstructural characterisation.

4.8 When the process has been qualified, it should not be altered without completing comparability studies and necessary testing of differences.

5. Proof of Product

5.1 Subsequent to the qualification of the process, the production castings should be subjected to a production-proving program. Such castings should have at least one prolongation; however, large and/or complex castings may require more than one. If a number of castings are produced from a single mould with a single runner system, they may be treated as one single casting. The production-proving program should establish the following:

- (a) The design values developed during the process qualification program are valid (e.g., same statistical distribution) for the production casting.
- (b) The production castings have the same or less than the level of internal defects as the test castings produced during qualification.
- (c) The cast components have a predictable distribution of tensile properties.
- (d) The prolongation(s) is representative of the critical area(s) of the casting.
- (e) The prolongation(s) consistently reflects the quality process, and material properties of the casting.

5.2 A number of (i.e., at least two) pre-production castings of each part number to be produced should be selected for testing and inspection. All of the selected castings should be non-destructively inspected in accordance with the qualification program.

- (a) One of these castings should be used as a dimensional tolerance test article. The other selected casting(s) should be cut up for mechanical property testing and metallographic inspection.
- (b) The casting(s) should be cut up to a standardised program to yield a number of tensile test specimens and metallographic samples. There should be sufficient cut-up tensile specimens to cover all critical ("critical" with respect to both the casting process and service loading) areas of the casting.
- (c) All prolongations should be machined to give tensile specimens, and subsequently tested.
- (d) The production castings should be produced to production procedures identical to those used for these pre-production castings.

5.3 On initial production, a number of castings should undergo a cut-up for mechanical property testing and metallographic inspection, similar to that performed for the pre-production casting(s). The cut-up procedure used should be standardised, although it may differ from that used for the pre-production casting(s). Tensile specimens should be obtained from the most critical areas.

- (a) For the first 30 castings produced, at least 1 casting in 10 should undergo this testing program.
- (b) The results from the mechanical property tests should be compared with the results obtained from the prolongations to further substantiate the correlation between prolongation(s) and the critical area(s) of the casting.

CS-25 BOOK 2

(c) In addition, if the distribution of mechanical properties derived from these tests is acceptable, when compared to the property values determined in the qualification program, the frequency of testing may be reduced. However, if the comparison is found not to be acceptable, the test program may require extension.

5.4 At no point in the production should the castings contain shrinkage cavities, cracks, cold shuts, laps, porosity, or entrapped oxide film, or have a poor surface finish, exceeding the acceptance level defined in the technical specifications.

6. *Monitoring the Process.*

6.1 For the product quality techniques should be employed to establish the significant/critical foundry process variables that have an impact on the quality of the product. For the product it should be shown that these variables are controlled with positive corrective action throughout production.

6.2 During production, every casting should be non-destructively inspected using the techniques and the acceptance standards employed during the qualification program.

(a) Rejections should be investigated and process corrections made as necessary.

(b) Alternative techniques may be employed if the equivalence in the acceptance levels can be demonstrated.

(c) In addition, tensile tests should be taken from the prolongations on every component produced, and the results should comply with limits developed in the process qualification and product proving programs.

(d) Additionally, as previously mentioned, a periodic casting cut-up inspection should be undertaken, with the inspection schedule as agreed upon during the proof of product program.

(e) Deviations from the limits established in the process qualification and product proving programs should be investigated and corrective action taken.

7. *Modifications to the Casting Design, Material, and Process.*

7.1 Additional testing may be required when alterations are made to the casting geometry, material, significant/critical process variables, process, or production foundry to verify that the alterations have not significantly changed the castings' properties. The verification testing recommended is detailed in Table 1, below:

CS-25 BOOK 2

TABLE 1. Recommended Verification Testing

<u>Modifications</u>					<u>Verification Testing</u>		
Case	Geometry	Material	Process	Foundry	Qualification of Process	Proof of Product	Tests per CS 25.621(c)(1)
1	yes	none	none	none	not necessary	yes	yes (b)
2	none	yes	none	none	yes (a)	yes	yes (b)
3	yes	yes	none	none	yes	yes	yes
4	none	none	yes	none	yes (a)	yes	yes (b)
5	none	none	none	yes	yes (a)	yes	yes (b)

(a) The program described in paragraph 4. of this AMC to qualify a new material, process, and foundry combination may not be necessary if the following 3 conditions exist for the new combination:

- (1) Sufficient data from relevant castings to show that the process is capable of producing a consistent quality of product, and that the quality is comparable to or better than the old combination.
- (2) Sufficient data from relevant castings to establish that the mechanical properties of the castings produced from the new combination have a similar or better statistical distribution than the old combination.
- (3) Clearly defined material and process specifications.

(b) The casting may be re-qualified by testing partial static test samples (with larger castings, re-qualification could be undertaken by a static test of the casting's critical region only).

[Amdt. No.: 25/1]

AMC 25.629
Aeroelastic stability requirements

1. General.

The general requirement for demonstrating freedom from aeroelastic instability is contained in CS 25.629, which also sets forth specific requirements for the investigation of these aeroelastic phenomena for various aeroplane configurations and flight conditions. Additionally, there are other conditions defined by the CS paragraphs listed below to be investigated for aeroelastic stability to assure safe flight. Many of the conditions contained in this AMC pertain only to the current version of CS-25. Type design changes to aeroplanes certified to an earlier CS-25 change must meet the certification basis established for the modified aeroplane.

CS 25.251 - Vibration and buffeting
CS 25.305 - Strength and deformation
CS 25.335 - Design airspeeds
CS 25.343 - Design fuel and oil loads
CS 25.571 - Damage-tolerance and fatigue evaluation of structure
CS 25.629 - Aeroelastic stability requirements
CS 25.631 - Bird strike damage

CS-25 BOOK 2

CS 25.671 - General (Control systems)
 CS 25.672 - Stability augmentation and automatic and power operated systems
 CS 25.1309 - Equipment, systems and installations
 CS 25.1329 - Flight Guidance system
 CS 25.1419 - Ice protection

2. Aeroelastic Stability Envelope

- 2.1. For nominal conditions without failures, malfunctions, or adverse conditions, freedom from aeroelastic instability is required to be shown for all combinations of airspeed and altitude encompassed by the design dive speed (V_D) and design dive Mach number (M_D) versus altitude envelope enlarged at all points by an increase of 15 percent in equivalent airspeed at both constant Mach number and constant altitude. Figure 1A represents a typical design envelope expanded to the required aeroelastic stability envelope. Note that some required Mach number and airspeed combinations correspond to altitudes below standard sea level.
- 2.2. The aeroelastic stability envelope may be limited to a maximum Mach number of 1.0 when M_D is less than 1.0 and there is no large and rapid reduction in damping as M_D is approached.
- 2.3. Some configurations and conditions that are required to be investigated by CS 25.629 and other CS-25 regulations consist of failures, malfunctions or adverse conditions. Aeroelastic stability investigations of these conditions need to be carried out only within the design airspeed versus altitude envelope defined by:
- (i) the V_D/M_D envelope determined by CS 25.335(b); or,
 - (ii) an altitude-airspeed envelope defined by a 15 percent increase in equivalent airspeed above V_C at constant altitude, from sea level up to the altitude of the intersection of $1.15 V_C$ with the extension of the constant cruise Mach number line, M_C , then a linear variation in equivalent airspeed to $M_C + .05$ at the altitude of the lowest V_C/M_C intersection; then at higher altitudes, up to the maximum flight altitude, the boundary defined by a .05 Mach increase in M_C at constant altitude.

Figure 1B shows the minimum aeroelastic stability envelope for fail-safe conditions, which is a composite of the highest speed at each altitude from either the V_D envelope or the constructed altitude-airspeed envelope based on the defined V_C and M_C .

Fail-safe design speeds, other than the ones defined above, may be used for certain system failure conditions when specifically authorised by other rules or special conditions prescribed in the certification basis of the aeroplane.

CS-25 BOOK 2

FIGURE 1A. MINIMUM REQUIRED AEROELASTIC STABILITY MARGIN

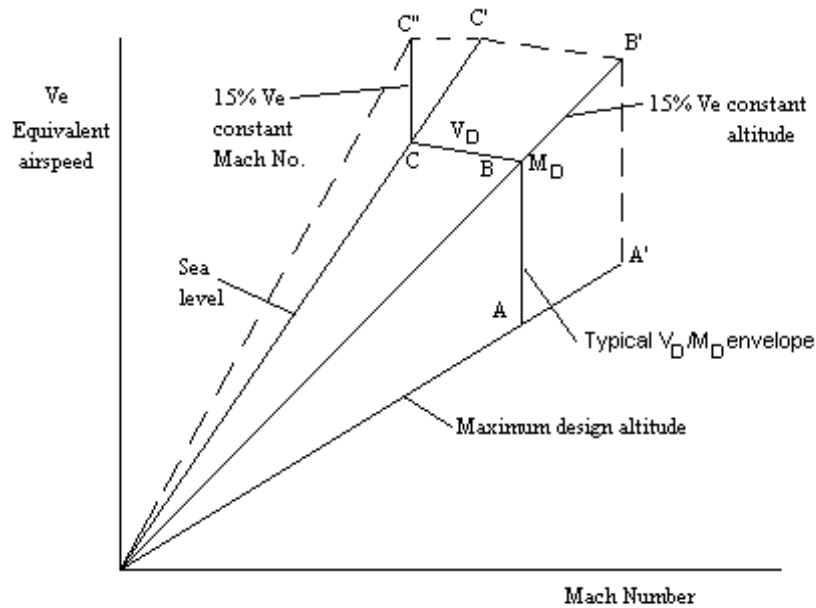
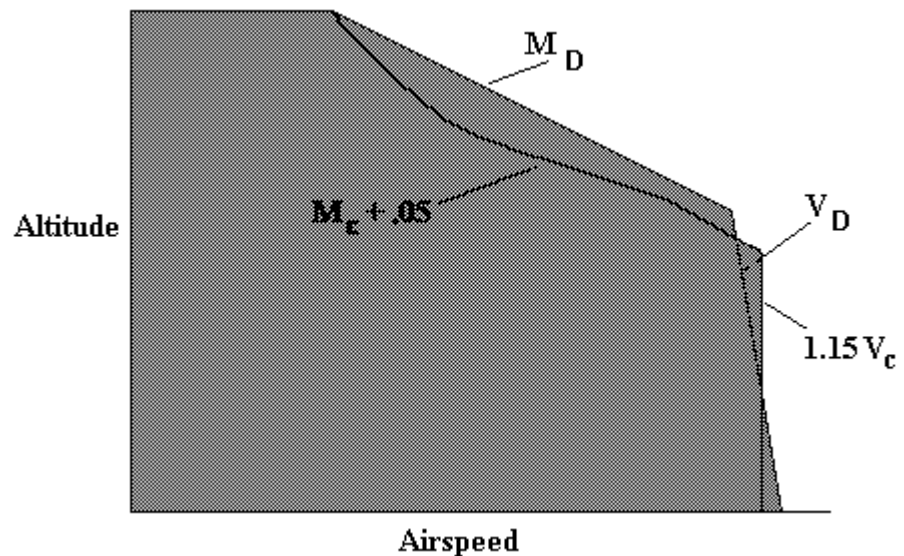


FIGURE 1B. MINIMUM FAIL-SAFE CLEARANCE ENVELOPE



3. Configurations and Conditions. The following paragraphs provide a summary of the configurations and conditions to be investigated in demonstrating compliance with CS-25. Specific design configurations may warrant additional considerations not discussed in this AMC.
 - 3.1. Nominal Configurations and Conditions. Nominal configurations and conditions of the aeroplane are those that are likely to exist in normal operation. Freedom from aeroelastic instability should be shown throughout the expanded clearance envelope described in paragraph 2.1 above for:
 - 3.1.1. The range of fuel and payload combinations, including zero fuel in the wing, for which certification is requested.
 - 3.1.2. Configurations with any likely ice mass accumulations on unprotected surfaces for aeroplanes approved for operation in icing conditions.
 - 3.1.3. All normal combinations of autopilot, yaw damper, or other automatic flight control systems.

CS-25 BOOK 2

- 3.1.4. All possible engine settings and combinations of settings from idle power to maximum available thrust including the conditions of one engine stopped and windmilling, in order to address the influence of gyroscopic loads and thrust on aeroelastic stability.
- 3.2. Failures, Malfunctions, and Adverse Conditions. The following conditions should be investigated for aeroelastic instability within the fail-safe envelope defined in paragraph 2.3 above.
- 3.2.1. Any critical fuel loading conditions, not shown to be extremely improbable, which may result from mismanagement of fuel.
- 3.2.2. Any single failure in any flutter control system.
- 3.2.3. For aeroplanes not approved for operation in icing conditions, any likely ice accumulation expected as a result of an inadvertent encounter. For aeroplanes approved for operation in icing conditions, any likely ice accumulation expected as the result of any single failure in the de-icing system, or any combination of failures not shown to be extremely improbable.
- 3.2.4. Failure of any single element of the structure supporting any engine, independently mounted propeller shaft, large auxiliary power unit, or large externally mounted aerodynamic body (such as an external fuel tank).
- 3.2.5. For aeroplanes with engines that have propellers or large rotating devices capable of significant dynamic forces, any single failure of the engine structure that would reduce the rigidity of the rotational axis.
- 3.2.6. The absence of aerodynamic or gyroscopic forces resulting from the most adverse combination of feathered propellers or other rotating devices capable of significant dynamic forces. In addition, the effect of a single feathered propeller or rotating device must be coupled with the failures of paragraphs 3.2.4 and 3.2.5 above.
- 3.2.7. Any single propeller or rotating device capable of significant dynamic forces rotating at the highest likely overspeed.
- 3.2.8. Any damage or failure condition, required or selected for investigation by CS 25.571. The single structural failures described in paragraphs 3.2.4 and 3.2.5 above need not be considered in showing compliance with this paragraph if;
- (A) The structural element could not fail due to discrete source damage resulting from the conditions described in CS 25.571(e) and CS 25.903(d); and
- (B) A damage tolerance investigation in accordance with CS 25.571(b) shows that the maximum extent of damage assumed for the purpose of residual strength evaluation does not involve complete failure of the structural element.
- 3.2.9. Any damage, failure or malfunction, considered under CS 25.631, CS 25.671, CS 25.672, and CS 25.1309. This includes the condition of two or more engines stopped or wind milling for the design range of fuel and payload combinations, including zero fuel.
- 3.2.10. Any other combination of failures, malfunctions, or adverse conditions not shown to be extremely improbable.
4. Detail Design Requirements.
- 4.1. Main surfaces, such as wings and stabilisers, should be designed to meet the aeroelastic stability criteria for nominal conditions and should be investigated for meeting fail-safe criteria by considering stiffness changes due to discrete damage or by reasonable parametric variations of design values.
- 4.2. Control surfaces, including tabs, should be investigated for nominal conditions and for failure modes that include single structural failures (such as actuator disconnects, hinge failures, or, in the case of aerodynamic balance panels, failed seals), single and dual hydraulic system failures

CS-25 BOOK 2

and any other combination of failures not shown to be extremely improbable. Where other structural components contribute to the aeroelastic stability of the system, failures of those components should be considered for possible adverse effects.

- 4.3. Where aeroelastic stability relies on control system stiffness and/or damping, additional conditions should be considered. The actuation system should continuously provide, at least, the minimum stiffness or damping required for showing aeroelastic stability without regard to probability of occurrence for:

- (i) more than one engine stopped or wind milling,
- (ii) any discrete single failure resulting in a change of the structural modes of vibration (for example; a disconnect or failure of a mechanical element, or a structural failure of a hydraulic element, such as a hydraulic line, an actuator, a spool housing or a valve);
- (iii) any damage or failure conditions considered under CS 25.571, CS 25.631 and CS 25.671.

The actuation system minimum requirements should also be continuously met after any combination of failures not shown to be extremely improbable (occurrence less than 10^{-9} per flight hour). However, certain combinations of failures, such as dual electric or dual hydraulic system failures, or any single failure in combination with any probable electric or hydraulic system failure (CS 25.671), are not normally considered extremely improbable regardless of probability calculations. The reliability assessment should be part of the substantiation documentation. In practice, meeting the above conditions may involve design concepts such as the use of check valves and accumulators, computerised pre-flight system checks and shortened inspection intervals to protect against undetected failures.

- 4.4 Consideration of free play may be incorporated as a variation in stiffness to assure adequate limits are established for wear of components such as control surface actuators, hinge bearings, and engine mounts in order to maintain aeroelastic stability margins.
- 4.5 If balance weights are used on control surfaces, their effectiveness and strength, including that of their support structure, should be substantiated.
- 4.6 The automatic flight control system should not interact with the airframe to produce an aeroelastic instability. When analyses indicate possible adverse coupling, tests should be performed to determine the dynamic characteristics of actuation systems such as servo-boost, fully powered servo-control systems, closed-loop aeroplane flight control systems, stability augmentation systems, and other related powered-control systems.
5. Compliance. Demonstration of compliance with aeroelastic stability requirements for an aircraft configuration may be shown by analyses, tests, or some combination thereof. In most instances, analyses are required to determine aeroelastic stability margins for normal operations, as well as for possible failure conditions. Wind tunnel flutter model tests, where applicable, may be used to supplement flutter analyses. Ground testing may be used to collect stiffness or modal data for the aircraft or components. Flight testing may be used to demonstrate compliance of the aircraft design throughout the design speed envelope.
- 5.1. Analytical Investigations. Analyses should normally be used to investigate the aeroelastic stability of the aircraft throughout its design flight envelope and as expanded by the required speed margins. Analyses are used to evaluate aeroelastic stability sensitive parameters such as aerodynamic coefficients, stiffness and mass distributions, control surface balance requirements, fuel management schedules, engine/store locations, and control system characteristics. The sensitivity of most critical parameters may be determined analytically by varying the parameters from nominal. These investigations are an effective way to account for the operating conditions and possible failure modes which may have an effect on aeroelastic stability margins, and to account for uncertainties in the values of parameters and expected variations due to in-service wear or failure conditions.
- 5.1.1. Analytical Modelling. The following paragraphs discuss acceptable, but not the only, methods and forms of modelling aircraft configurations and/or components for purposes of aeroelastic stability analysis. The types of investigations generally encountered in the course of aircraft aeroelastic stability substantiation are also discussed. The basic

CS-25 BOOK 2

elements to be modelled in aeroelastic stability analyses are the elastic, inertial, and aerodynamic characteristics of the system. The degree of complexity required in the modelling, and the degree to which other characteristics need to be included in the modelling, depend upon the system complexity.

5.1.1.1. Structural Modelling. Most forms of structural modelling can be classified into two main categories: (1) modelling using a lumped mass beam, and (2) finite element modelling. Regardless of the approach taken for structural modelling, a minimum acceptable level of sophistication, consistent with configuration complexity, is necessary to satisfactorily represent the critical modes of deformation of the primary structure and control surfaces. The model should reflect the support structure for the attachment of control surface actuators, flutter dampers, and any other elements for which stiffness is important in prevention of aeroelastic instability. Wing-pylon mounted engines are often significant to aeroelastic stability and warrant particular attention in the modelling of the pylon, and pylon-engine and pylon-wing interfaces. The model should include the effects of cut-outs, doors, and other structural features which may tend to affect the resulting structural effectiveness. Reduced stiffness should be considered in the modelling of aircraft structural components which may exhibit some change in stiffness under limit design flight conditions. Structural models include mass distributions as well as representations of stiffness and possibly damping characteristics. Results from the models should be compared to test data, such as that obtained from ground vibration tests, in order to determine the accuracy of the model and its applicability to the aeroelastic stability investigation.

5.1.1.2. Aerodynamic Modelling.

- (a) Aerodynamic modelling for aeroelastic stability requires the use of unsteady, two-dimensional strip or three-dimensional panel theory methods for incompressible or compressible flow. The choice of the appropriate technique depends on the complexity of the dynamic structural motion of the surfaces under investigation and the flight speed envelope of the aircraft. Aerodynamic modelling should be supported by tests or previous experience with applications to similar configurations.
- (b) Main and control surface aerodynamic data are commonly adjusted by weighting factors in the aeroelastic stability solutions. The weighting factors for steady flow ($k=0$) are usually obtained by comparing wind tunnel test results with theoretical data. Special attention should be given to control surface aerodynamics because viscous and other effects may require more extensive adjustments to theoretical coefficients. Main surface aerodynamic loading due to control surface deflection should be considered.

5.1.2. Types of Analyses.

- 5.1.2.1. Oscillatory (flutter) and non-oscillatory (divergence and control reversal) aeroelastic instabilities should be analysed to show compliance with CS 25.629.
- 5.1.2.2. The flutter analysis methods most extensively used involve modal analysis with unsteady aerodynamic forces derived from various two- and three-dimensional theories. These methods are generally for linear systems. Analyses involving control system characteristics should include equations describing system control laws in addition to the equations describing the structural modes.
- 5.1.2.3. Aeroplane lifting surface divergence analyses should include all appropriate rigid body mode degrees-of-freedom since divergence may occur for a structural mode or the short period mode.
- 5.1.2.4. Loss of control effectiveness (control reversal) due to the effects of elastic deformations should be investigated. Analyses should include the inertial, elastic, and aerodynamic forces resulting from a control surface deflection.

CS-25 BOOK 2**5.1.3 Damping Requirements.**

- 5.1.3.1. There is no intent in this AMC to define a flight test level of acceptable minimum damping.
- 5.1.3.2. Flutter analyses results are usually presented graphically in the form of frequency versus velocity (V-f, Figure 2) and damping versus velocity (V-g, Figures 3 and 4) curves for each root of the flutter solution.
- 5.1.3.3. Figure 3 details one common method for showing compliance with the requirement for a proper margin of damping. It is based on the assumption that the structural damping available is 0.03 (1.5% critical viscous damping) and is the same for all modes as depicted by the V-g curves shown in Figure 3. No significant mode, such as curves (2) or (4), should cross the $g=0$ line below VD or the $g=0.03$ line below 1.15 VD. An exception may be a mode exhibiting damping characteristics similar to curve (1) in Figure 3, which is not critical for flutter. A divergence mode, as illustrated by curve (3) where the frequency approaches zero, should have a divergence velocity not less than 1.15 VD.
- 5.1.3.4. Figure 4 shows another common method of presenting the flutter analysis results and defining the structural damping requirements. An appropriate amount of structural damping for each mode is entered into the analysis prior to the flutter solution. The amount of structural damping used should be supported by measurements taken during full scale tests. This results in modes offset from the $g=0$ line at zero airspeed and, in some cases, flutter solutions different from those obtained with no structural damping. The similarity in the curves of Figures 3 and 4 are only for simplifying this example. The minimum acceptable damping line applied to the analytical results as shown in Figure 4 corresponds to 0.03 or the modal damping available at zero airspeed for the particular mode of interest, whichever is less, but in no case less than 0.02. No significant mode should cross this line below VD or the $g=0$ line below 1.15 VD.
- 5.1.3.5. For analysis of failures, malfunctions or adverse conditions being investigated, the minimum acceptable damping level obtained analytically would be determined by use of either method above, but with a substitution of VC for VD and the fail-safe envelope speed at the analysis altitude as determined by paragraph 2.3 above.

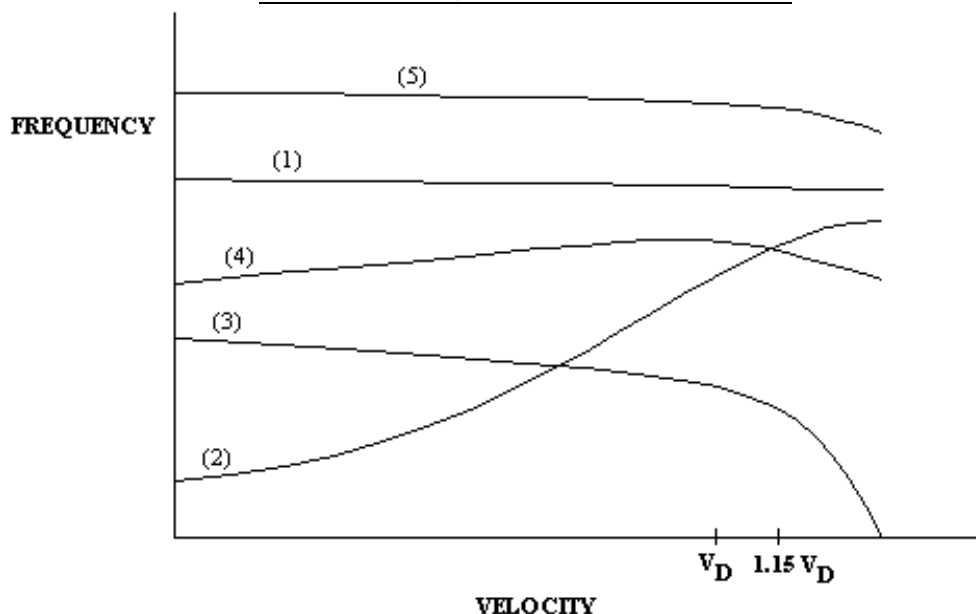
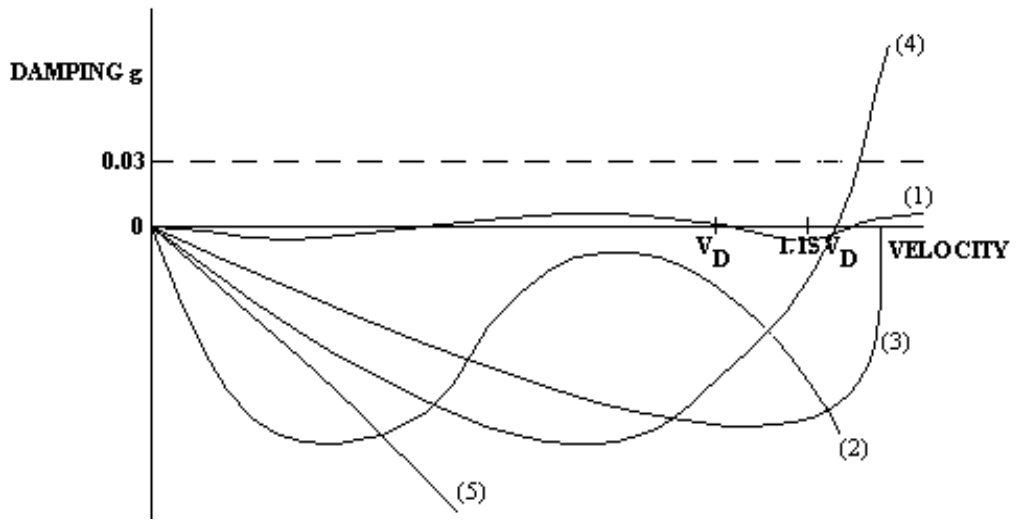
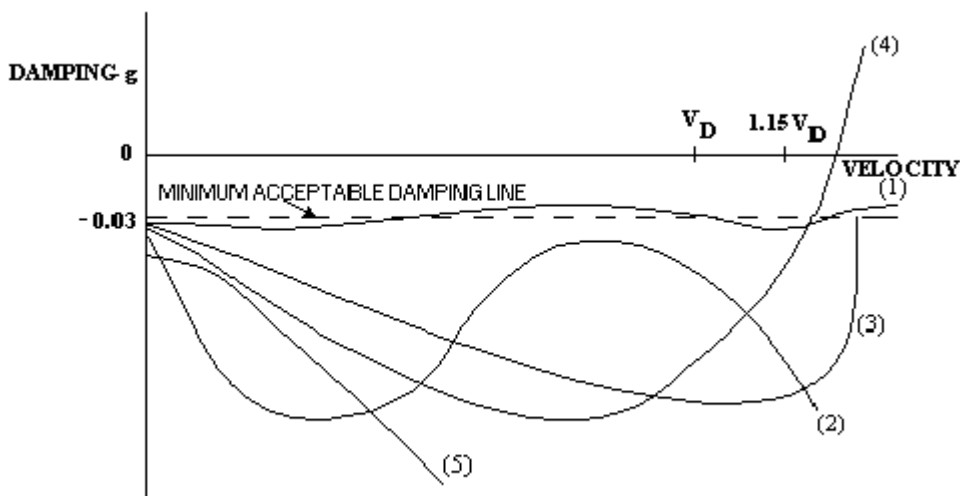
FIGURE 2: FREQUENCY VERSUS VELOCITY

FIGURE 3: DAMPING VERSUS VELOCITY - Method 1



CS-25 BOOK 2

FIGURE 4: DAMPING VERSUS VELOCITY - Method 2



5.1.4. *Analysis Considerations.* Airframe aeroelastic stability analyses may be used to verify the design with respect to the structural stiffness, mass, fuel (including in-flight fuel management), automatic flight control system characteristics, and altitude and Mach number variations within the design flight envelope. The complete aeroplane should be considered as composed of lifting surfaces and bodies, including all primary control surfaces which can interact with the lifting surfaces to affect flutter stability. Control surface flutter can occur in any speed regime and has historically been the most common form of flutter. Lifting surface flutter is more likely to occur at high dynamic pressure and at high subsonic and transonic Mach numbers. Analyses are necessary to establish the mass balance and/or stiffness and redundancy requirements for the control surfaces and supporting structure and to determine the basic surface flutter trends. The analyses may be used to determine the sensitivity of the nominal aircraft design to aerodynamic, mass, and stiffness variations. Sources of stiffness variation may include the effects of skin buckling at limit load factor, air entrapment in hydraulic actuators, expected levels of in-service free play, and control system components which may include elements with non-linear stiffness. Mass variations include the effects of fuel density and distribution, control surface repairs and painting, and water and ice accumulation.

5.1.4.1. *Control Surfaces.* Control surface aeroelastic stability analyses should include control surface rotation, tab rotation (if applicable), significant modes of the aeroplane, control surface torsional degrees-of-freedom, and control surface bending (if applicable). Analyses of aeroplanes with tabs should include tab rotation that is both independent and related to the parent control surface. Control surface rotation frequencies should be varied about nominal values as appropriate for the condition. The control surfaces should be analysed as completely free in rotation unless it can be shown that this condition is extremely improbable. All conditions between stick-free and stick-fixed should be investigated. Free play effects should be incorporated to account for any influence of in-service wear on flutter margins. The aerodynamic coefficients of the control surface and tab used in the aeroelastic stability analysis should be adjusted to match experimental values at zero frequency. Once the analysis has been conducted with the nominal, experimentally adjusted values of hinge moment coefficients, the analysis should be conducted with parametric variations of these coefficients and other parameters subject to variability. If aeroelastic stability margins are found to be sensitive to these parameters, then additional verification in the form of model or flight tests may be required.

5.1.4.2. *Mass Balance.*

- (a) The magnitude and spanwise location of control surface balance weights may be evaluated by analysis and/or wind tunnel flutter model tests. If the control surface torsional degrees of freedom are not included in the analysis,

CS-25 BOOK 2

then adequate separation must be maintained between the frequency of the control surface first torsion mode and the flutter mode.

- (b) Control surface unbalance tolerances should be specified to provide for repair and painting. The accumulation of water, ice, and/or dirt in or near the trailing edge of a control surface should be avoided. Free play between the balance weight, the support arm, and the control surface must not be allowed. Control surface mass properties (weight and static unbalance) should be confirmed by measurement before ground vibration testing.
- (c) The balance weights and their supporting structure should be substantiated for the extreme load factors expected throughout the design flight envelope. If the absence of a rational investigation, the following limit accelerations, applied through the balance weight centre of gravity should be used.
 - 100g normal to the plane of the surface
 - 30g parallel to the hinge line
 - 30g in the plane of the surface and perpendicular to the hinge line

5.1.4.3. Passive Flutter Dampers. Control surface passive flutter dampers may be used to prevent flutter in the event of failure of some element of the control surface actuation system or to prevent control surface buzz. Flutter analyses and/or flutter model wind tunnel tests may be used to verify adequate damping. Damper support structure flexibility should be included in the determination of adequacy of damping at the flutter frequencies. Any single damper failure should be considered. Combinations of multiple damper failures should be examined when not shown to be extremely improbable. The combined free play of the damper and supporting elements between the control surface and fixed surfaces should be considered. Provisions for in-service checks of damper integrity should be considered. Refer to paragraph 4.3 above for conditions to consider where a control surface actuator is switched to the role of an active or passive damping element of the flight control system.

5.1.4.4. Intersecting Lifting Surfaces. Intersecting lifting surface aeroelastic stability characteristics are more difficult to predict accurately than the characteristics of planar surfaces such as wings. This is due to difficulties both in correctly predicting vibration modal characteristics and in assessing those aerodynamic effects which may be of second order importance on planar surfaces, but are significant for intersecting surfaces. Proper representation of modal deflections and unsteady aerodynamic coupling terms between surfaces is essential in assessing the aeroelastic stability characteristics. The in-plane forces and motions of one or the other of the intersecting surfaces may have a strong effect on aeroelastic stability; therefore, the analysis should include the effects of steady flight forces and elastic deformations on the in-plane effects.

5.1.4.5. Ice Accumulation. Aeroelastic stability analysis should use the mass distributions derived from any likely ice accumulations. The ice accumulation determination can take account of the ability to detect the ice and the time required to leave the icing condition. The analyses need not consider the aerodynamic effects of ice shapes.

5.1.4.6. Whirl Flutter.

- (a) The evaluation of the aeroelastic stability should include investigations of any significant elastic, inertial, and aerodynamic forces, including those associated with rotations and displacements in the plane of any turbofan or propeller, including propeller or fan blade aerodynamics, powerplant flexibilities, powerplant mounting characteristics, and gyroscopic coupling.
- (b) Failure conditions are usually significant for whirl instabilities. Engine mount, engine gear box support, or shaft failures which result in a node line shift for propeller hub pitching or yawing motion are especially significant.

CS-25 BOOK 2

(c) A wind tunnel test with a component flutter model, representing the engine/propeller system and its support system along with correlative vibration and flutter analyses of the flutter model, may be used to demonstrate adequate stability of the nominal design and failed conditions.

5.1.4.7. Automatic Control Systems. Aeroelastic stability analyses of the basic configuration should include simulation of any control system for which interaction may exist between the sensing elements and the structural modes. Where structural/control system feedback is a potential problem the effects of servo-actuator characteristics and the effects of local deformation of the servo mount on the feedback sensor output should be included in the analysis. The effect of control system failures on the aeroplane aeroelastic stability characteristics should be investigated. Failures which significantly affect the system gain and/or phase and are not shown to be extremely improbable should be analysed.

5.2. Testing. The aeroelastic stability certification test programme may consist of ground tests, flutter model tests, and flight flutter tests. Ground tests may be used for assessment of component stiffness and for determining the vibration modal characteristics of aircraft components and the complete airframe. Flutter model testing may be used to establish flutter trends and validate aeroelastic stability boundaries in areas where unsteady aerodynamic calculations require confirmation. Full scale flight flutter testing provides final verification of aeroelastic stability. The results of any of these tests may be used to provide substantiation data, to verify and improve analytical modelling procedures and data, and to identify potential or previously undefined problem areas.

5.2.1. Structural Component Tests. Stiffness tests or ground vibration tests of structural components are desirable to confirm analytically predicted characteristics and are necessary where stiffness calculations cannot accurately predict these characteristics. Components should be mounted so that the mounting characteristics are well defined or readily measurable.

5.2.2. Control System Component Tests. When reliance is placed on stiffness or damping to prevent aeroelastic instability, the following control system tests should be conducted. If the tests are performed off the aeroplane the test fixtures should reflect local attachment flexibility.

(i) Actuators for primary flight control surfaces and flutter dampers should be tested with their supporting structure. These tests are to determine the actuator/support structure stiffness for nominal design and failure conditions considered in the fail-safe analysis.

(ii) Flutter damper tests should be conducted to verify the impedance of damper and support structure. Satisfactory installed damper effectiveness at the potential flutter frequencies should, however, be assured. The results of these tests can be used to determine a suitable, in-service maintenance schedule and replacement life of the damper. The effects of allowable in-service free play should be measured.

5.2.3. Ground vibration Tests.

5.2.3.1. Ground vibration tests (GVT) or modal response tests are normally conducted on the complete conforming aeroplane. A GVT may be used to check the mathematical structural model. Alternatively, the use of measured modal data alone in aeroelastic stability analyses, instead of analytical modal data modified to match test data, may be acceptable provided the accuracy and completeness of the measured modal data is established. Whenever structural modifications or inertia changes are made to a previously certified design or a GVT validated model of the basic aeroplane, a GVT may not be necessary if these changes are shown not to affect the aeroelastic stability characteristics.

5.2.3.2. The aeroplane is best supported such that the suspended aeroplane rigid body modes are effectively uncoupled from the elastic modes of the aeroplane. Alternatively, a suspension method may be used that couples with the elastic aeroplane provided that the suspension can be analytically de-coupled from the

CS-25 BOOK 2

aeroplane structure in the vibration analysis. The former suspension criterion is preferred for all ground vibration tests and is necessary in the absence of vibration analysis.

- 5.2.3.3. The excitation method needs to have sufficient force output and frequency range to adequately excite all significant resonant modes. The effective mass and stiffness of the exciter and attachment hardware should not distort modal response. More than one exciter or exciter location may be necessary to insure that all significant modes are identified. Multiple exciter input may be necessary on structures with significant internal damping to avoid low response levels and phase shifts at points on the structure distant from the point of excitation. Excitation may be sinusoidal, random, pseudo-random, transient, or other short duration, non stationary means. For small surfaces the effect of test sensor mass on response frequency should be taken into consideration when analysing the test results.
- 5.2.3.4. The minimum modal response measurement should consist of acceleration (or velocity) measurements and relative phasing at a sufficient number of points on the aeroplane structure to accurately describe the response or mode shapes of all significant structural modes. In addition, the structural damping of each mode should be determined.

5.2.4. Flutter Model Tests.

- 5.2.4.1. Dynamically similar flutter models may be tested in the wind tunnel to augment the flutter analysis. Flutter model testing can substantiate the flutter margins directly or indirectly by validating analysis data or methods. Some aspects of flutter analysis may require more extensive validation than others, for example control surface aerodynamics, T-tails and other configurations with aerodynamic interaction and compressibility effects. Flutter testing may additionally be useful to test configurations that are impractical to verify in flight test., such as fail-safe conditions or extensive store configurations. In any such testing, the mounting of the model and the associated analysis should be appropriate and consistent with the study being performed.
- 5.2.4.2. Direct substantiation of the flutter margin (clearance testing) implies a high degree of dynamic similitude. Such a test may be used to augment an analysis and show a configuration flutter free throughout the expanded design envelope. All the physical parameters which have been determined to be significant for flutter response should be appropriately scaled. These will include elastic and inertia properties, geometric properties and dynamic pressure. If transonic effects are important, the Mach number should be maintained.
- 5.2.4.3. Validation of analysis methods is another appropriate use of wind tunnel flutter testing. When the validity of a method is uncertain, correlation of wind tunnel flutter testing results with a corresponding analysis may increase confidence in the use of the analytical tool for certification analysis. A methods validation test should simulate conditions, scaling and geometry appropriate for the intended use of the analytical method.
- 5.2.4.4. Trend studies are an important use of wind tunnel flutter testing. Parametric studies can be used to establish trends for control system balance and stiffness, fuel and payload variations, structural compliances and configuration variations. The set of physical parameters requiring similitude may not be as extensive to study parametric trends as is required for clearance testing. For example, an exact match of the Mach number may not be required to track the effects of payload variations on a transonic aeroplane.

5.2.5. Flight Flutter Tests.

- 5.2.5.1 Full scale flight flutter testing of an aeroplane configuration to V_{DF}/M_{DF} is a necessary part of the flutter substantiation. An exception may be made when aerodynamic, mass, or stiffness changes to a certified aeroplane are minor, and

CS-25 BOOK 2

analysis or ground tests show a negligible effect on flutter or vibration characteristics. If a failure, malfunction, or adverse condition is simulated during a flight test, the maximum speed investigated need not exceed V_{FC}/M_{FC} if it is shown, by correlation of the flight test data with other test data or analyses, that the requirements of CS 25.629(b)(2) are met.

- 5.2.5.2. Aeroplane configurations and control system configurations should be selected for flight test based on analyses and, when available, model test results. Sufficient test conditions should be performed to demonstrate aeroelastic stability throughout the entire flight envelope for the selected configurations.
- 5.2.5.3. Flight flutter testing requires excitation sufficient to excite the modes shown by analysis to be the most likely to couple for flutter. Excitation methods may include control surface motions or internal moving mass or external aerodynamic exciters or flight turbulence. The method of excitation must be appropriate for the modal response frequency being investigated. The effect of the excitation system itself on the aeroplane flutter characteristics should be determined prior to flight testing.
- 5.2.5.4. Measurement of the response at selected locations on the structure should be made in order to determine the response amplitude, damping and frequency in the critical modes at each test airspeed. It is desirable to monitor the response amplitude, frequency and damping change as V_{DF}/M_{DF} is approached. In demonstrating that there is no large and rapid damping reduction as V_{DF}/M_{DF} is approached, an endeavour should be made to identify a clear trend of damping versus speed. If this is not possible, then sufficient test points should be undertaken to achieve a satisfactory level of confidence that there is no evidence of an adverse trend.
- 5.2.5.5. An evaluation of phenomena not presently amenable to analyses, such as shock effects, buffet response levels, vibration levels, and control surface buzz, should also be made during flight testing.

[Amdt. No.: 25/1]

[Amdt. No.: 25/6]

AMC 25.631
Bird Strike Damage

Consideration should be given in the early stages of the design to the installation of items in essential services, such as control system components, and items which, if damaged, could cause a hazard, such as electrical equipment. As far as practicable, such items should not be installed immediately behind areas liable to be struck by birds.

AMC 25.671(a)
Control Systems – General

Control systems for essential services should be so designed that when a movement to one position has been selected, a different position can be selected without waiting for the completion of the initially selected movement, and the system should arrive at the finally selected position without further attention. The movements which follow and the time taken by the system to allow the required sequence of selection should not be such as to adversely affect the airworthiness of the aeroplane.

AMC 25.671(b)
Control Systems – General

For control systems which, if incorrectly assembled, would hazard the aeroplane, the design should be such that at all reasonably possible break-down points it is mechanically impossible to assemble elements of the system to give –

CS-25 BOOK 2

- a. An out-of-phase action,
- b. An assembly which would reverse the sense of the control, and
- c. Interconnection of the controls between two systems where this is not intended.

Only in exceptional circumstances should distinctive marking of control systems be used to comply with the above.

AMC 25.671(c)(1)**Control Systems – General**

To comply with CS 25.671(c)(1) there should normally be –

- a. An alternative means of controlling the aeroplane in case of a single failure, or
- b. An alternative load path.

However, where a single component is used on the basis that its failure is extremely improbable, it should comply with CS 25.571(a) and (b).

AMC 25.672(c)(1)**Stability Augmentation and Automatic and Power-operated Systems**

The severity of the flying quality requirement should be related to the probability of the occurrence in a progressive manner such that probable occurrences have not more than minor effects and improbable occurrences have not more than major effects.

AMC 25.679(a)(2)**Control System Gust Locks**

If the device required by CS 25.679(a) limits the operation of the aeroplane by restricting the movement of a control that must be set before take-off (e.g. throttle control levers), this device should be such that it will perform the function for which it is designed even when subject to likely maladjustment or wear, so that –

- a. The movement of that control is restricted as long as the device is engaged; and
- b. The movement of that control is unrestricted when the device is disengaged.

AMC 25.679(b)**Control System Gust Locks**

For the purposes of meeting the design intent of this paragraph, flight means the time from the moment the aircraft first moves under its own power for the purpose of flight until the moment it comes to rest after landing.

AMC 25.685(a)**Control System Details**

In assessing compliance with CS 25.685(a) account should be taken of the jamming of control circuits by the accumulation of water in or on any part which is likely to freeze. Particular attention should be paid to the following:

- a. The points where controls emerge from pressurised compartments.
- b. Components in parts of the aeroplane which could be contaminated by the water systems of the aeroplane in normal or fault conditions; if necessary such components should be shielded.

CS-25 BOOK 2

c. Components in parts of the aeroplane where rain and/or condensed water vapour can drip or accumulate.

d. Components inside which water vapour can condense and water can accumulate.

AMC 25.701(d)**Flap and slat interconnection**

FAA Advisory Circular AC 25-14 High Lift and Drag Devices, dated 5-4-88, is accepted by the Agency as providing acceptable means of compliance with CS 25.701(d).

AMC 25.703**Take-off Configuration Warning Systems**

1. *PURPOSE.* This AMC provides guidance for the certification of take-off configuration warning systems installed in large aeroplanes. Like all AMC material, this AMC is not mandatory and does not constitute a requirement. It is issued to provide guidance and to outline a method of compliance with the rules.

2. *RELATED CERTIFICATION SPECIFICATIONS.*

CS 25.703, 25.1301, 25.1309, 25.1322, 25.1357, 25.1431, and 25.1529.

3. *RELATED MATERIAL.*

a. *Federal Aviation Administration and EASA Documents.*

(1) Advisory Circular 25.1309-(), System Design and Analysis and AC 25-11 Transport Category Airplane Electronic Display Systems. Advisory circulars can be obtained from the U.S. Department of Transportation, M-443.2, Subsequent Distribution Unit, Washington, D.C. 20590.

(2) Report DOT/FAA/RD-81/38, II, Aircraft Alerting Systems Standardization Study, Volume II, Aircraft Alerting Systems Design Guidelines. This document can be obtained from the National Technical Information Service, Springfield, Virginia 22161.

(3) FAA report, Review of Take-off Configuration Warning Systems on Large Jet Transports, dated April 29, 1988. This document can be obtained from the Federal Aviation Administration, Transport Airplane Directorate, 1601 Lind Avenue, S.W., Renton, Washington, 98055-4056.

(4) EASA AMC 25.1322 (Alerting Systems).

(5) EASA AMC 25-11 (Electronic Display Systems).

(6) EASA AMC 25.1309 (System Design and Analysis).

(7) EASA AMC 20-115 (Software Considerations for Airborne Systems and Equipment Certification)

b. *Industry Documents.*

(1) Aerospace Recommended Practice (ARP) 450D, Flight Deck Visual, Audible and Tactile Signals; ARP 4012/4, Flight Deck Alerting Systems (FAS). These documents can be obtained from the Society of Automotive Engineers, Inc. (SAE), 400 Commonwealth Drive, Warrendale, Pennsylvania 15096.

(2) EUROCAE ED-14D/RTCA document DO-160D or latest version, Environmental Conditions and Test Procedures for Airborne Equipment; AMC 20-115, Software Considerations for

CS-25 BOOK 2

Airborne Systems and Equipment Certification. RTCA documents can be obtained from the RTCA, One McPherson Square, Suite 500, 1425 K Street Northwest, Washington, D.C. 20005.

(3) ARINC 726, Flight Warning Computer System. This document can be obtained from the ARINC, 2551 Riva Road, Annapolis, Maryland 21401.

4. *BACKGROUND.* A number of aeroplane accidents have occurred because the aeroplane was not properly configured for take-off and a warning was not provided to the flight crew by the take-off configuration warning system. Investigations of these accidents have indicated a need for guidance material for design and approval of take-off configuration warning systems.

5. *DISCUSSION.*

a. *Regulatory Basis.*

(1) CS 25.703, "Take-off warning system," requires that a take-off configuration warning system be installed in large aeroplanes. This requirement was introduced with JAR-25 Amendment 5 effective 1.1.79. On the FAR side, this was added to FAR Part 25 by Amendment 25-42 effective on March 1, 1978. CS 25.703 requires that a take-off warning system be installed and provide an aural warning to the flight crew during the initial portion of the take off roll, whenever the aeroplane is not in a configuration which would allow a safe take-off. The intent of this rule is to require that the take-off configuration warning system cover (a) only those configurations of the required systems which would be unsafe, and (b) the effects of system failures resulting in wrong surface or system functions if there is not a separate and adequate warning already provided. According to the preamble of FAR Part 25 Amendment 25-42, the take-off warning system should serve as "back-up for the checklist, particularly in unusual situations, e.g., where the checklist is interrupted or the take-off delayed." Conditions for which warnings are required include wing flaps or leading edge devices not within the approved range of take-off positions, and wing spoilers (except lateral control spoilers meeting the requirements of CS 25.671), speed brakes, parking brakes, or longitudinal trim devices in a position that would not allow a safe take-off. Consideration should also be given to adding rudder trim and aileron (roll) trim if these devices can be placed in a position that would not allow a safe take-off.

(2) Prior to JAR-25 Amendment 5 and FAR Part 25 Amendment 25-42, there was no requirement for a take-off configuration warning system to be installed in large aeroplanes. Since this amendment is not retroactive, some large aeroplane models in service today may not have take-off configuration warning systems; however, all large turbojet transports currently in service, even those with a certification basis established prior to 1978, include a take-off configuration warning system in the basic design. These include the majority of large aeroplanes.

(3) Other general rules such as CS 25.1301, 25.1309, 25.1322, 25.1357 and 25.1431 for electronic system installations also apply to take-off configuration warning systems.

b. *System Criticality.*

(1) It has been Aviation Authorities policy to categorise systems designed to alert the flight crew of potentially hazardous operating conditions as being at a level of criticality associated with a probable failure condition. (For a definition of this terminology together with discussions and guidelines on the classification of failure conditions and the probability of failures, see AMC 25.1309). This is because failures of these systems, in themselves, are not considered to create an unsafe condition, reduce the capability of the aeroplane, or reduce the ability of the crew to cope with adverse operating conditions. Other systems which fall into this category include stall warning systems, overspeed warning systems, ground proximity warning systems, and windshear warning systems.

(2) Even though AMC 25.1309 does not define an upper probability limit for probable failure conditions, generally, it can be shown by analysis that such systems have a probability of failure (of the ability to adequately give a warning) which is approximately 1.0×10^{-3} or less per flight hour. This

CS-25 BOOK 2

probability does not take into account the likelihood that a warning will be needed. Systems which are designed to meet this requirement are usually single channel systems with limited built-in monitoring. Maintenance or pre-flight checks are relied on to limit the exposure time to undetected failures which would prevent the system from operating adequately.

(3) Applying the practice given in sub-paragraphs b(1) and b(2) above to take-off configuration warning systems is not considered to result in an adequate level of safety when the consequence of the combination of failure of the system and a potentially unsafe take-off configuration could result in a major/catastrophic failure condition. Therefore, these systems should be shown to meet the criteria of AMC 25.1309 pertaining to a major failure condition, including design criteria and in-service maintenance at specified intervals. This will ensure that the risk of the take-off configuration warning system being unavailable when required to give a warning, if a particular unsafe configuration occurs, will be minimised.

(4) If such systems use digital electronic technology, a software Development Assurance Level (DAL) should be used, in accordance with AMC 20-115, which is compatible with the system integrity determined by the AMC 25.1309 analysis.

(5) Since a false warning during the take-off run at speeds near V_1 may result in an unnecessary rejected take-off (RTO), which could lead to a mishap, the occurrence of a false warning during the take-off should be remote in accordance with AMC 25.1309.

(6) If the take-off configuration warning system is integrated with other systems that provide crew alerting functions, the level of criticality of common elements should be commensurate with that of the take-off configuration warning system unless a higher level is dictated by one or more of the other systems.

c. Design Considerations.

(1) A review of existing take-off configuration warning systems has shown a trend towards increased sophistication of design, partly due to the transition towards digital electronic technology which is amenable to self-monitoring and simple testing. The net result has been an improvement in reliability, fewer unwanted warnings and enhanced safety.

(2) With the objective of continuing this trend, new systems should be designed using the objectives and criteria of AMC 25.1309. Analysis should include all the remote sensors, transducers and the elements they depend on, as well as any take-off configuration warning system line replaceable unit (LRU) and the actual visual and aural warning output devices.

(3) Unwanted warnings may be reduced by inhibiting the take-off configuration warning system where it is safer to do so, e.g., between V_1 and V_R , so that a hazardous rejected take-off is not attempted. Inhibition of the take-off configuration warning system at high speeds will also avoid any confusion from the occurrence of a warning during a touch-and-go landing. This is because the basic message of an alert is to stop because it is unsafe to take off. It may or may not tell the flight crew which surface or system is wrong. A warning may be more hazardous than reliance on the flight crew's skill and training to cope with the situation.

(4) Even though CS 25.703 specifies those inputs common to most large aeroplanes that must be included in the design, each aeroplane model should be carefully reviewed to ascertain that any configuration or trim setting that could jeopardise a safe take-off has an input to the take-off warning system unless a separate and adequate warning is already provided by another system. There may be aeroplane configurations or electronically positioned lateral or longitudinal trim unique to a particular model that constitute this hazard. In the event that it is necessary to inhibit the warning from a particular system during the entire take-off roll, an equivalent level of safety finding would be required.

(5) Automatic volume adjustment should be provided to maintain the aural warning volume at an appropriate level relative to cockpit ambient sound. According to Report No. DOT/FAA/RD-81/38,

CS-25 BOOK 2

II entitled "Aircraft Alerting Systems Standardisation Study, Volume II - Aircraft Alerting System Design Guidelines," aural signals should exceed masked threshold by 8 ± 3 dB.

(6) Of particular importance in the design of take-off configuration warning systems is the elimination of nuisance warnings. These are warnings generated by a system which is functioning as designed but which are inappropriate or unnecessary for the particular phase of operation. Attempting to eliminate nuisance warnings cannot be overemphasised because any indication which could cause the flight crew to perform a high speed rejected take-off, or which distracts or adversely affects the flight crew's performance of the take-off manoeuvre, creates a hazard which could lead to an accident. In addition, any time there are nuisance warnings generated, there is a possibility that the flight crew will be tempted to eliminate them through system deactivation, and by continually doing this, the flight crew may be conditioned to ignore a valid warning.

(7) There are a number of operations that could produce nuisance warnings. Specifically, single engine taxi for twin engine aeroplanes, or in the case of 3 and 4 engine aeroplanes, taxi with fewer than all engines operating is a procedure used by some operators for the purpose of saving fuel. Nuisance warnings have also been caused by trim changes and speed brake handle adjustments.

(8) The means for silencing the aural warning should not be located such that it can be operated instinctively, inadvertently, or by habitual reflexive action. Silencing is defined as the interruption of the aural warning. When silenced, it is preferred that the system will be capable of re-arming itself automatically prior to take-off. However, if there is a clear and unmistakable annunciation that the system is silenced, manual re-arming is acceptable.

(9) Each aeroplane model has a different means of arming the take-off configuration warning system, therefore the potential for nuisance warnings varies accordingly. Some existing systems use only a single throttle position, some use position from multiple throttles, some use EPR or N1, and some use a combination of these. When logic from a single operating engine was used, nuisance warnings were common during less than all engine taxi operations because of the higher power settings required to move the aeroplane. These systems were not designed for that type of operation. Because this procedure is used, inputs that arm the system should be judiciously selected taking into account any likely combination of operating and shut-down engines so that nuisance warnings will not occur if the aeroplane is not in take-off configuration.

(10) CS 25.703 requires only an aural alert for the take-off warning system. CS 25.1322 currently specify requirements for visual alerts while related reading material reference 3a(2), 3a(4) and 3b(1) provide guidance for integrated visual and aural annunciations for warnings, cautions and advisory alerting conditions. It has been common industry practice to incorporate the above mentioned references in their aeroplane designs. FAR/CS 25.1322 are planned for revision to incorporate the guidance of these references to reflect current industry practices. Manufacturers may wish to incorporate these alerting concepts to the take-off warning system. If such is the case, the following guidance is offered:

- a) A master warning (red) attention getting alert may be provided in the pilot's primary field of view simultaneously with the aural attention getting alert.
- b) In addition to or instead of the aural attention getting alert (tone), voice may be used to specify the general problem (Configuration), or the exact problem (slats, flaps, trim, parking brake, etc...).
- c) The visual alert may also specify the general problem (Configuration), or the exact problem (slats, flaps, trim, parking brake, etc...).
- d) A visual cautionary alert associated with the failure of the Take-off warning system may be provided e.g. "T/O WARN FAIL".

(11) The EASA Agency approved Master Minimum Equipment List (MMEL) includes those items of equipment related to airworthiness and operating regulations and other items of equipment which the Agency finds may be inoperative and yet maintain an acceptable level of safety by appropriate conditions and limitations. No MMEL relief is provided for an inoperative take-off configuration warning. Therefore, design of these systems should include proper system monitoring

CS-25 BOOK 2

including immediate annunciation to the flight crew should a failure be identified or if power to the system is interrupted.

d. System Tests and Test Intervals.

(1) When manual tests or checks are required to show compliance with CS 25.1309, by detecting the presence of and limiting the exposure time to a latent failure that would render the warning inoperative, they should be adequate, simple and straight forward in function and interval to allow a quick and proper check by the flight crew and maintenance personnel. Flight crew checks may be specified in the approved Aeroplane Flight Manual (AFM) and, depending on the complexity of the take-off configuration warning system and the aeroplane, maintenance tasks may be conventional Maintenance Review Board (MRB) designed tasks or listed as Certification Check Requirements (CCR) where appropriate, as defined in AMC 25.1309, and determined as part of the approval process between the manufacturer and the certification office.

(2) The specified tests/checks established in accordance with sub-paragraph 5d(1) above should be demonstrated as part of the approval process and should show that each input sensor as well as the control and logic system and its emitters, including the indication system, are individually verified as required to meet sub-paragraph 5b(3). It should also be demonstrated that the warning self cancels when required to do so, for example by retarding the throttles or correcting the wrong configuration.

e. Test Considerations.

(1) During flight testing it should be shown that the take-off configuration warning system does not issue nuisance alerts or interfere with other systems. Specific testing should be conducted to ensure that the take-off configuration warning system works satisfactorily for all sensor inputs to the system. Flight testing should include reconfiguration of the aeroplane during touch and go manoeuvres.

(2) It should be shown by test or analysis that for all requested power settings, feasible weights, taxiway slopes, temperatures and altitudes, there will be no nuisance warnings, nor failure to give a warning when necessary (e.g., cold conditions, derated take-off), for any reasonable configuration of engines operating or shut down. This is to test or simulate all expected operational configurations. Reasonable pilot technique for applying power should be presumed.

(3) The means for silencing the aural warning by the flight crew will be evaluated to assure that the device is not accessible instinctively and it is properly protected from inadvertent activation. Automatic or manual re-arming of the warning system will be evaluated.

[Amdt. No.: 25/2]

[Amdt. No.: 25/8]

[Amdt. No.: 25/12]

AMC 25.723

Shock Absorption Tests

1. PURPOSE. This AMC sets forth an acceptable means, but not the only means, of demonstrating compliance with the provisions of CS-25 related to the use of landing gear shock absorption tests and analyses to determine landing loads for large aeroplanes.

2. RELATED CERTIFICATION SPECIFICATIONS.

CS 25.723 "Shock absorption tests" and CS 25.473 "Landing load conditions and assumptions."

CS-25 BOOK 2**3. SHOCK ABSORPTION TESTS.**

a. Validation of the landing gear characteristics. Shock absorption tests are necessary to validate the analytical representation of the dynamic characteristics of the landing gear unit that will be used to determine the landing loads. A range of tests should be conducted to ensure that the analytical model is valid for all design conditions. In addition, consideration should be given to ensuring that the range of test configurations is sufficient for justifying the use of the analytical model for foreseeable future growth versions of the aeroplane.

b. Recommended test conditions for new landing gear units. The design takeoff weight and the design landing weight conditions should both be included as configurations subjected to energy absorption tests. However, in cases where the manufacturer has supporting data from previous experience in validating the analytical model using landing gear units of similar design concept, it may be sufficient to conduct tests of the new landing gear at only the condition associated with maximum energy. The landing gear used to provide the supporting data may be from another model aircraft but should be of approximately the same size with similar components.

c. Changes to type designs. CS 25.723(c) allows changes in previously approved design weights and minor changes in design to be substantiated by analyses based on tests of the same basic landing gear unit with similar energy absorption characteristics.

A landing gear unit would be considered to be of “the same basic landing gear system” when the design concept has not been changed. “Similar energy absorption characteristics” means that the changes to the landing gear unit, either taken individually or as a whole, would not have a significant effect on the validation of the analytical results for the modified aeroplane. Changes that may be acceptable without further energy absorption tests include minor changes and adjustments incorporated in the landing gear unit to maintain similar energy absorption characteristics with changes in design weight and landing speeds.

For example, the following changes may be acceptable without further tests:

- (1) Minor changes in shock absorber details including pre-load, compression ratio, orifice sizes, metering pin profiles.
- (2) Minor changes in tyre characteristics.
- (3) Minor changes in unsprung mass (e.g. brakes).
- (4) Local strengthening or minor sizing changes to the landing gear.

To allow justification by analysis for the reserve energy requirement, neither the shock strut nor the tyres should bottom during the reserve energy analysis or the tests upon which the analysis is correlated.

4. LIMIT FREE DROP TESTS.

a. Compliance with CS 25.723(a) may be shown by free drop tests, provided they are made on the complete aeroplane, or on units consisting of a wheel, tyre, and shock absorber, in their proper positions, from free drop heights not less than--

- (1) 475 mm (18.7 inches) for the design landing weight conditions; and
- (2) 170 mm (6.7 inches) for the design takeoff weight conditions.

b. If aeroplane lift is simulated by air cylinders or by other mechanical means, the weight used for the drop must be equal to W . If the effect of aeroplane lift is represented in free drop tests by a reduced weight, the landing gear must be dropped with an effective weight equal to

$$W_e = W \left[\frac{h + (1 - L)d}{h + d} \right]$$

CS-25 BOOK 2

where:

- W_e = the effective weight to be used in the drop test (kg);
 h = specified free drop height (mm);
 d = deflection under impact of the tyre (at the approved inflation pressure) plus the vertical component of the axle travel relative to the drop weight (mm);
 W = W_M for main gear units (kg), equal to the static weight on that unit with the aeroplane in the level attitude (with the nose wheel clear in the case of nose wheel type aeroplanes);
 W = W_T for tail gear units (kg), equal to the static weight on the tail unit with the aeroplane in the tail-down attitude;
 W = W_N for nose wheel units (kg), equal to the vertical component of the static reaction that would exist at the nose wheel, assuming that the mass of the aeroplane acts at the centre of gravity and exerts a force of 1.0 *g* downward and 0.25 *g* forward; and
 L = ratio of the assumed aeroplane lift to the aeroplane weight, but not more than 1.0.

c. The drop test attitude of the landing gear unit and the application of appropriate drag loads during the test must simulate the aeroplane landing conditions in a manner consistent with the development of rational or conservative limit loads.

d. The value of d used in the computation of W_e in paragraph 4.(b) of this AMC may not exceed the value actually obtained in the drop test.

5. RESERVE ENERGY FREE DROP TESTS.

a. Compliance with the reserve energy absorption condition specified in CS 25.723(b) may be shown by free drop tests provided the drop height is not less than 69 cm (27 inches).

b. If aeroplane lift is simulated by air cylinders or by other mechanical means, the weight used for the drop must be equal to W . If the effect of aeroplane lift is represented in free drop tests by an equivalent reduced weight, the landing gear must be dropped with an effective weight:

$$W_e = \left[\frac{Wh}{h+d} \right]$$

where the symbols and other details are the same as in paragraph 4 above.

[Amdt. No.: 25/2]

AMC 25.729

Retracting Mechanism

1. **PURPOSE.** This Acceptable Means of Compliance (AMC) provides guidance material for use as an acceptable means of demonstrating compliance with the landing gear retracting mechanism requirements of the Certification Specification (CS) for large aeroplanes.

2. RELATED DOCUMENTS.

a. *Related Certification Specifications.* CS 25.729 and other paragraphs relating to landing gear retracting mechanism installations together with their applicable AMCs, if any. Paragraphs which prescribe requirements for the design, substantiation, and certification of landing gear retracting mechanisms include:

CS 25.111	Take-off path
CS 25.301	Loads
CS25.303	Factor of safety
CS 25.305	Strength and deformation
CS 25.307	Proof of structure
CS 25.333	Flight envelope
CS 25.471	General [Ground loads]

CS-25 BOOK 2

CS 25.561	General [Emergency Landing Conditions]
CS 25.601	General [Design and Construction]
CS 25.603	Materials
CS 25.605	Fabrication methods
CS 25.607	Fasteners
CS 25.609	Protection of structure
CS 25.613	Material strength properties
CS 25.619	Special factors
CS 25.621	Casting factors
CS 25.623	Bearing factors
CS 25.625	Fitting factors
CS 25.729	Retracting mechanism
CS 25.777	Cockpit controls
CS 25.779	Motion and effect of cockpit controls
CS 25.781	Cockpit control knob shape
CS 25.863	Flammable fluid fire protection
CS 25.869	Fire protection: systems
CS 25.899	Electrical bonding, etc.
CS 25.1301	Function and installation
CS 25.1309	Equipment, systems and installations
CS 25.1315	Negative acceleration
CS 25.1316	System lightning protection
CS 25.1322	Warning, caution and advisory lights
CS 25.1353	Electrical equipment and installations
CS 25.1357	Circuit protective devices
CS 25.1360	Precautions against injury
CS 25.1435	Hydraulic systems
CS 25.1515	Landing gear speeds
CS 25.1555	Control markings
CS 25.1583	Operating limitations
CS 25.1585	Operating procedures

b. *FAA Advisory Circulars (AC's).*

AC 20-34D	Prevention of Retractable Landing Gear Failures
AC 23-17B	Systems and Equipment Guide for Certification of Part 23 Airplanes and Airships
AC 25.1309-1A	System Design and Analysis
AC 25-7A	Flight Test Guide for Certification of Transport Category Airplanes
AC 25-22	Certification of Transport Airplane Mechanical Systems
AC 43.13-1B	Acceptable Methods, Techniques and Practices - Aircraft Inspection and Repair.

c. *Federal Aviation Administration Orders.*

Order 8110.4C Type Certification Process

Advisory Circulars and FAA Orders can be obtained from the U.S. Department of Transportation, Subsequent Distribution Office, SVC-121.23, Ardmore East Business Center, 3341 Q 75th Avenue, Landover, MD 20785.

d. *Society of Automotive Engineers (SAE) Documents.*

SAE AIR-4566	Crashworthiness Landing Gear Design
SAE ARP-1311A	Landing Gear - Aircraft
ISO 7137	Environmental Conditions and Test Procedures for Airborne Equipment (not an SAE document but is available from the SAE)

These documents can be obtained from the Society of Automotive Engineers, Inc., 400 Commonwealth Drive, Warrendale, Pennsylvania, 15096.

e. *Industry Documents.*

- (1) EUROCAE ED-14G/RTCA, Inc., Document No. DO-160G, Environmental Conditions and Test Procedures for Airborne Equipment.

CS-25 BOOK 2

- (2) AMC 20-115, Software Considerations for Airborne Systems and Equipment Certification.

These documents can be obtained from EUROCAE, 17 rue Hamelin, 75783 Paris Cedex 15, France

f. *Military Documents.*

MIL-STD-810 Environmental Test Methods and Engineering Guidelines

This document can be obtained from the Department of Defence, DODSSP, Standardisation Document Order Desk, 700 Robbins Avenue, Building 4D, Philadelphia, PA 19111-5094.

4. DISCUSSION.

a. *Intent of rule.* (Reference CS 25.729 Retracting mechanism)

This rule provides minimum design and certification requirements for landing gear actuation systems to address:

- (1) Structural integrity for the nose and main landing gear, retracting mechanism(s), doors, gear supporting structure for loads imposed during flight;
- (2) Positive locking of the kinematic mechanisms;
- (3) Redundant means of extending the landing gear;
- (4) Demonstration of proper operation by test;
- (5) Gear up-and-locked and down-and-locked position indications and aural warning;
- (6) Equipment damage from tyre burst, loose tread, and wheel brake temperatures.

b. *Demonstration of retracting mechanism proper functioning.* (Reference CS 25.729(d) Operation test)

Guidance addressing flight testing used to demonstrate compliance with this paragraph may be found in EASA AMC equivalent to FAA Advisory Circular (AC) 25-7A, Flight Test Guide for Transport Category Aeroplanes, chapter 4, section 4, paragraph 52, issued June 3, 1999.

c. *Retracting mechanism Indication.* (Reference CS 25.729(e) Position indicator and warning device)

- (1) When light indicators are used, they should be arranged so that-
 - (i) A green light for each unit is illuminated only when the unit is secured in the correct landing position.
 - (ii) A warning light consistent with CS 25.1322 is illuminated at all times except when the landing gear and its doors are secured in the landing or retracted position.
- (2) The warning required by CS 25.729(e)(2) should preferably operate whatever the position of wing leading- or trailing-edge devices or the number of engines operating.
- (3) The design should be such that nuisance activation of the warning is minimised, for example-
 - (i) When the landing gear is retracted after a take-off following an engine failure, or during a take-off when a common flap setting is used for take-off and landing;
 - (ii) When the throttles are closed in a normal descent; or
 - (iii) When flying at low altitude in clean or low speed configuration (special operation).
- (4) Inhibition of the warning above a safe altitude out of final approach phase either automatically or by some other means to prevent these situations is acceptable, but it should automatically reset for a further approach.
- (5) Means to de-activate the warning required by CS 25.729(e) may be installed for use in abnormal or emergency conditions provided that it is not readily available to the flight crew, i.e. the control device is protected against inadvertent actuation by the flight crew and its de-activated state is obvious to the flight crew.

d. *Definitions.* For definitions of V_{SR} and V_C , see CS-Definitions 2, titled Abbreviations and symbols.

[Amdt. No.: 25/4]

[Amdt. No.: 25/12]

[Amdt. No.: 25/14]

CS-25 BOOK 2**AMC 25.734****Protection against wheel and tyre failures****1. PURPOSE**

This AMC provides a set of models defining the threats originating from failures of tyres and wheels. Furthermore, protecting the aircraft against the threats defined in these models would also protect against threats originating from foreign objects projected from the runway.

These models should be used for protection of aeroplane structure and systems.

2. RELATED CERTIFICATION SPECIFICATIONS AND ACCEPTABLE MEANS OF COMPLIANCE

CS 25.571 Damage tolerance and fatigue evaluation of structure

CS 25.734 Protection against wheel and tyre failures

CS 25.963(e) Fuel tanks: general

AMC 25.963(e) Fuel Tank Protection

CS 25.1309 Equipment, systems and installations

AMC 20-29 Composite Aircraft Structure

3. GENERAL**3.1. THREAT MODELS**

The models provided below encompass the threats applicable to landing gear in the extended, retracting and retracted positions. The threats to be considered are tyre debris, flailing tyre strips, tyre burst pressure effect and wheel flange debris. The models defined below are applicable to brand-new tyres.

With the landing gear in the extended position, the following models are applicable:

Model 1 — Tyre Debris Threat Model

Model 2 — Wheel Flange Debris Threat Model

Model 3E — Flailing Tyre Strip Threat Model

With the landing gear retracting or in the retracted position, the following models are applicable:

Model 3R — Flailing Tyre Strip Threat Model

Model 4 — Tyre Burst Pressure Effect Threat Model

3.2. STRUCTURAL RESIDUAL STRENGTH AND DAMAGE TOLERANCE

In-service experience shows that traditional large transport aeroplane configurations, featuring high aspect ratio wings built around a single torsion box manufactured of light metal alloy, have demonstrated inherent structural robustness with regard to wheel and tyre debris threats. This results from the intrinsic properties of the structure, including thick wing skin gauges, as well as the general geometric arrangement (relative position of the landing gear to the wing). Residual strength and damage tolerance evaluations might therefore not be required for aeroplanes featuring such design features. For aeroplanes with novel or unusual design features (configuration, material, fuel tank arrangement, etc.), for principal structural elements and primary structures, the debris models are threats to be considered with respect to the related residual strength and damage tolerance rules and advisory materials, unless otherwise stated in this AMC or addressed by other means.

3.3. FUEL TANK PENETRATION

In-service experience shows a good safety record for the fuel tanks located within the torsion box of high aspect ratio wings manufactured of light metal alloy, owing to the intrinsic characteristics of the structure, including the wing skin gauge and typical arrangement of the stringers and ribs. Therefore,

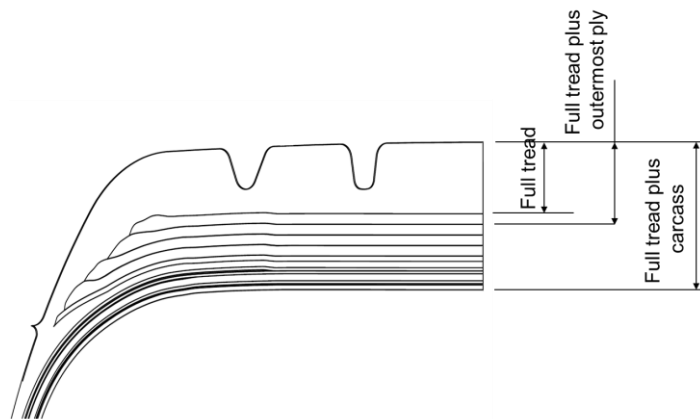
CS-25 BOOK 2

for tanks located within similar structures, in the absence of any unusual design feature(s), fuel tank penetration evaluation needs only to consider small tyre debris.

3.4. DEFINITIONS

Carcass of a tyre: This comprises the entire main body of a tyre (also named the casing) including the materials under the tread, the sidewall, and steel belts if any.

Full tread: The thickness of the tread rubber measured from the outer tread surface to the top of the outermost fabric or steel layer, including the rubber thickness above and below the tread groove bottom. Refer to the figure below (section of a tyre):



Hazardous fuel leak: a definition is provided in AMC 25.963(e).

Maximum unloaded operational pressure: Unloaded rated tyre pressure (available from the TRA Year Book) divided by the 1.07 factor from CS 25.733(c)(1).

Minimum tyre speed rating: The lowest tyre speed rating certified for the aeroplane in compliance with CS 25.733(a) or (c). The aeroplane manufacturer may decide to certify several tyre speed ratings; in this case, the lowest certified speed rating value should be taken as the 'minimum tyre speed rating' used in the models of this AMC.

Total tread area: $\pi \cdot D_G \cdot W_{SG}$

Terms used in accordance with the Tire and Rim Association (TRA) Aircraft Year Book¹:

- D = TRA Rim Diameter
- D_G = TRA Grown Tyre Diameter
- W_{SG} = TRA Maximum Grown Shoulder Width

Tyre speed rating: The maximum ground speed at which the tyre has been tested in accordance with (E)TSO C62e.

¹ The Tire and Rim Association, Inc. (TRA) is the standardizing body for the tire, rim, valve and allied parts industry for the United States. TRA was founded in 1903 and its primary purpose is to establish and promulgate interchangeability standards for tires, rims, valves and allied parts. TRA standards are published in the Tire and Rim Year Book, Aircraft Year Book and supplemental publications. More information available at: <http://www.us-tra.org/index.html>.

CS-25 BOOK 2

4. THREAT MODELS

Model 1 — Tyre Debris Threat Model

Applicability: landing gear extended

(1) Threats occurring when the tyre is in contact with the ground release tyre debris.

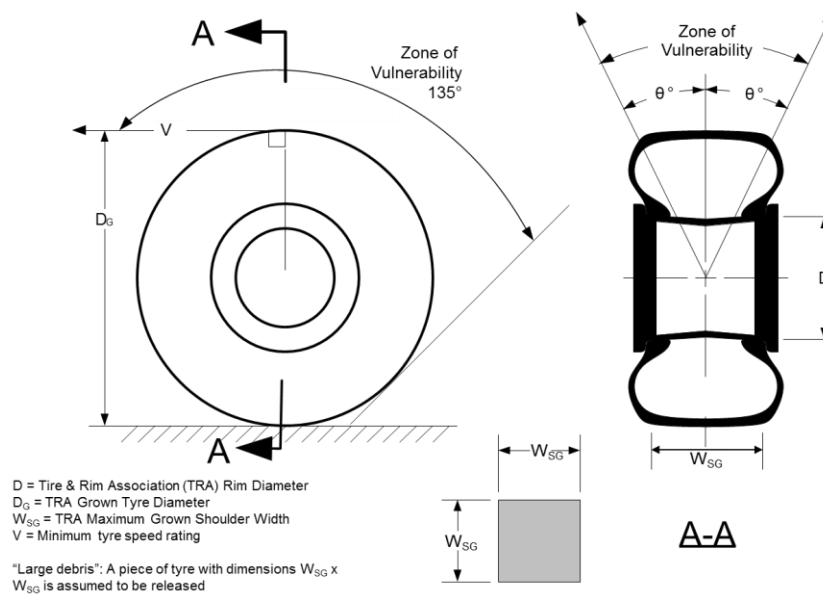
Two tyre debris sizes are considered.

These debris are assumed to be released from the tread area of the tyre and projected towards the aircraft within the zones of vulnerability identified in Figure 1:

- (i) a 'large debris' with dimensions $W_{SG} \times W_{SG}$ at D_G and a thickness of the full tread plus outermost ply (i.e. the reinforcement or protector ply). The angle of vulnerability θ is 15° .
- (ii) a 'small debris' consisting of 1 per cent of the total tyre mass, with an impact load distributed over an area equal to 1.5 per cent of the total tread area. The angle of vulnerability θ is 30° .

The debris have a speed equivalent to the minimum tyre speed rating certified for the aircraft (the additional velocity component due to the release of carcass pressure need not be taken into account).

Figure 1 – Tyre Debris Threats



CS-25 BOOK 2(2) Protection of the fuel tank structure and pass-fail criteria on effects of penetration

(2.1) The large tyre debris size as defined in (i) above is assumed to penetrate and open the fuel tank or fuel system structure located in the zone of vulnerability defined in (i). It is used to define the opening size of the structural damage. A fuel leakage is assumed to occur whenever either the fuel tank structure or any structural element of fuel system components is struck by this large debris. It need not be used as a sizing case for structural design.

The fuel leakage should not result in hazardous quantities of fuel entering areas of the aeroplane that could present a hazard such as, but not limited to:

1. an engine air intake,
2. an APU air intake, or
3. a cabin air intake.

All practical measures should be taken to avoid fuel coming into contact with an ignition source (which may also result from the tyre failure event, e.g. electrical wire damage).

This should be shown by test or analysis, or a combination of both, for each engine forward thrust condition and each approved reverse thrust condition.

Alternatively, it is acceptable to demonstrate that the large tyre debris as defined in (i) above will not cause damage sufficient to allow a hazardous fuel leak whenever fuel tank deformation or rupture has been induced (including through propagation of pressure waves or cracking sufficient to allow a hazardous fuel leak).

(2.2) The small tyre debris as defined in (ii) should not create damage sufficient to allow a hazardous fuel leak in the zone of vulnerability defined in (ii).

(3) Protection of systems and pass-fail criteria

The two tyre debris sizes (defined in (i) and (ii) above) are considered. The sizes of debris are to be considered for the separation of systems.

When shielding is required (to protect a component or system), or when an energy analysis is required (for instance, for the validation of the structural parts of systems), the small debris defined in (ii) should be used.

An initial tyre failure can also result in failure of, and debris from, the companion tyre. This can occur even when the tyres have been designed to have double dynamic overload capability.

The analysis for the segregation of systems installation and routing should take this companion tyre failure into account inside the vulnerability zone defined by $\theta = 15^\circ$ (either side of the tyre centre line) and only considering both tyres releasing large debris. Inside zones defined by $15^\circ < \theta \leq 30^\circ$, where only the small debris size is applicable, only debris (defined in (ii)) from a single tyre needs to be considered.

A 'companion' tyre is a tyre on the same axle.

To demonstrate compliance with the applicable Certification Specifications, the following approach should be used:

- (a) Identify all hazards associated with the possible impact areas defined by Figure 1, including simultaneous/cascade failure of companion tyres.
- (b) All practicable design precautions should be taken to eliminate all Catastrophic failure situations by means of system separation and/or impact resistant shielding and/or redesign. Impact resistance should be assessed for small debris (type (ii)) impacts only. Consideration should also be given to Hazardous failure situations when showing compliance in accordance with CS 25.1309.

CS-25 BOOK 2

- (c) Any Catastrophic failure situation that remains after accomplishment of step (b) above will be submitted to the Agency for consideration in accordance with step (d) below.
- (d) If the Agency concludes that the applicant has taken all practicable precautions to prevent a Catastrophic failure situation and the probability of the occurrence is consistent with the hazard classification (assuming a probability of companion tyre failure, if applicable, equal to 10 per cent), the design would be considered as compliant with the intent of CS 25.734.

Model 2 — Wheel Flange Debris Threat Model

Applicability: gear extended

(1) It is considered that a 60° arc segment of the wheel flange can be released laterally, in the zones identified in Figure 2. The speed of release is 100 m/s (328 ft/s).

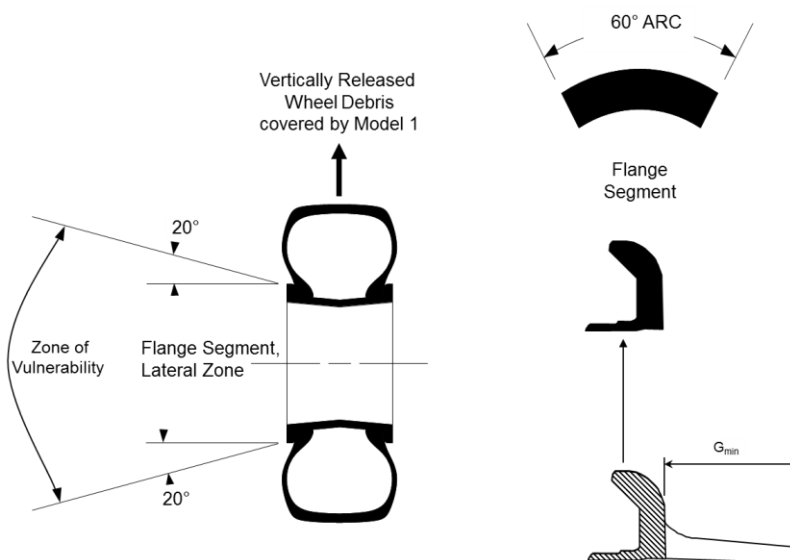
Where multiple wheels are installed on a landing gear leg, the lateral release of only the flange on the outer wheel halves needs to be considered.

If only a single wheel is installed on a landing gear leg, then the lateral release of either flange shall be considered.

(2) Vertically released debris are covered by Model 1 tyre debris.

(3) The debris should be considered to impact in the most critical condition.

Figure 2 - Wheel Flange Release Threat



CS-25 BOOK 2

Model 3 — Flailing Tyre Strip Threat Model**(1) Model 3E: Landing Gear Extended**

A flailing tyre strip with a length of $2.5 W_{SG}$ and a width of $W_{SG}/2$ will remain attached to the outside diameter of the rotating tyre at take-off speeds.

The thickness (t) of the loose strip of tyre is the full tread plus the carcass of the tyre. If the applicant demonstrates that the carcass will not fail, then the thickness may be reduced to full tread plus outermost ply (i.e. the reinforcement or protector ply).

The strip has a speed equivalent to the minimum tyre speed rating certified for the aircraft. For this threat the zone of vulnerability is 30° , as shown in Figure 3.

(2) Model 3R: Landing Gear Retracting or Retracted

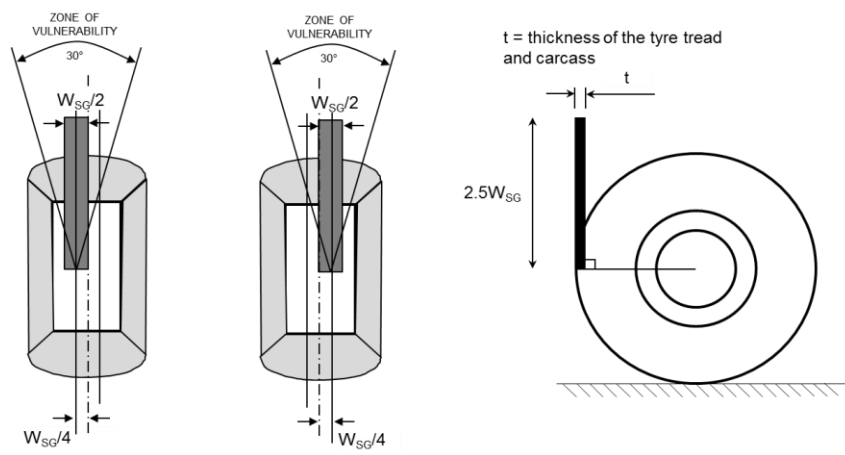
The loose tyre strip and the conditions remain unchanged from that considered for the Gear Extended case. However, due to the wheel spin down after take-off, the rotational speed of the wheel may be lower or even zero as it enters the wheel bay.

If the aeroplane is equipped with a system braking the wheel during landing gear retraction ('retraction brake'), then the applicant may take credit for this system provided:

- (i) the retraction braking system is reliable and its failure is not latent;
- (ii) the failure of the retraction brake is independent from a flailing tyre strip event;
- (iii) the retraction braking stops the rotation of the tyre before the trajectory of the flailing tyre strip can cause a hazard to the aircraft; and
- (iv) the effect of a zero velocity retraction with the loose strip of tyre is assessed.

The strip has an initial speed equivalent to the minimum tyre speed rating certified for the aircraft. Allowance for rotation speed reduction during retraction may be substantiated by the applicant. For this threat the zone of vulnerability is 30° , as shown in Figure 3.

Figure 3 – Flailing Tyre Strip Threat



CS-25 BOOK 2**Model 4 — Tyre Burst Pressure Effect Threat Model**

Applicability: landing gear retracting or landing gear retracted

1) In-flight tyre bursts with the landing gear retracted are considered to result from previous damage to the tyre, which could occur at any point on the exposed surface. A review of the known incidents shows that all cases of retracted tyre burst have occurred to main gear with braked wheels. This hazard is therefore considered to be applicable only to tyres mounted on braked wheels.

2) It is assumed that tyres do not release debris and consequential damage is considered to be caused only from the pressure effects of resulting gas jet ('blast effect'). The blast effect has been shown to differ between radial and bias tyres.

3) The tyre burst pressure is assumed to be 130 % of the maximum unloaded operational pressure, which is the unloaded tyre rated pressure reduced by a factor of 1.07 (safety factor required by CS 25.733(c)(1)).

Example: For an H44.5 x 16.5 – 21 26PR Tyre — The unloaded tyre rated pressure is 1 365 kPa (198 psig), so the maximum unloaded operational pressure is $1\ 365 / 1.07 = 1\ 276$ kPa (185 psig), i.e. 1 377 kPa absolute pressure (199.7 psia); therefore the tyre burst pressure is $1\ 377 \times 1.3 = 1\ 790$ kPa absolute pressure (259.7 psia).

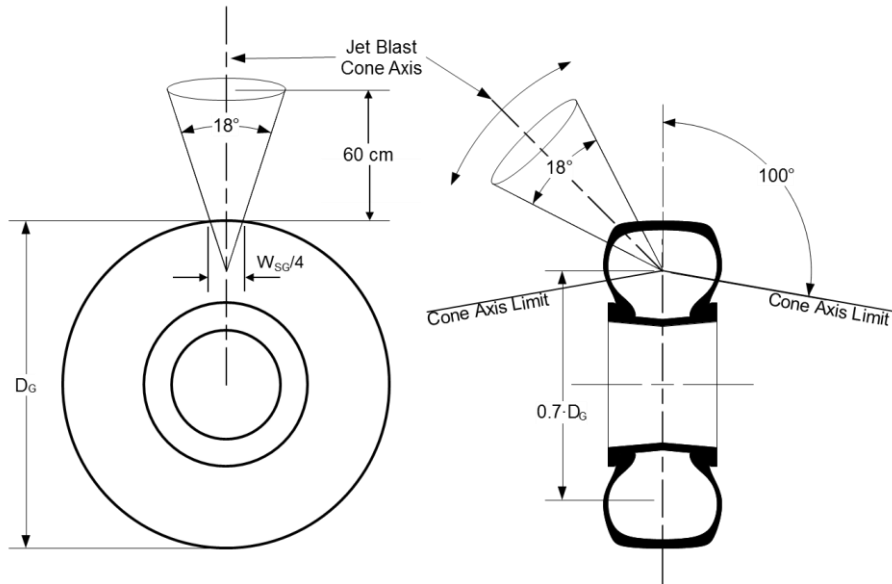
4) For bias tyres, the burst plume model shown in Figures 4a and 4b should be used, with the blast cone axis rotated over the tread surface of the tyre ($\pm 100^\circ$ as shown in Figure 4a). The pressure distribution is provided in Figures 4b and 4c.

5) For radial tyres, the burst plume model ('wedge' shape) is shown in Figures 4d and 4e. The pressure decay formula provided in Figure 4e below should be used. It provides the level of pressure as a function of the distance from the tyre burst surface.

6) The effect of the burst should be evaluated on structure and system items located inside the defined burst plume. In addition, there should be no effect detrimental to continued safe flight and landing due to the increase in pressure of the wheel well as a result of a retracted tyre burst.

CS-25 BOOK 2

Figure 4a – Tyre Burst Pressure Effect – Bias Tyre



Note: 'Grown dimensions' should be calculated for bias tyres using TRA formulas.

CS-25 BOOK 2

Figure 4b – Tyre Burst Pressure Effect – Bias Tyre

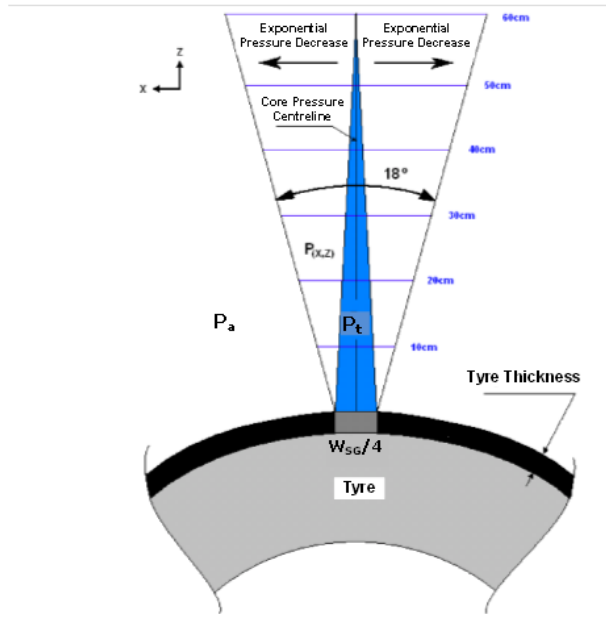
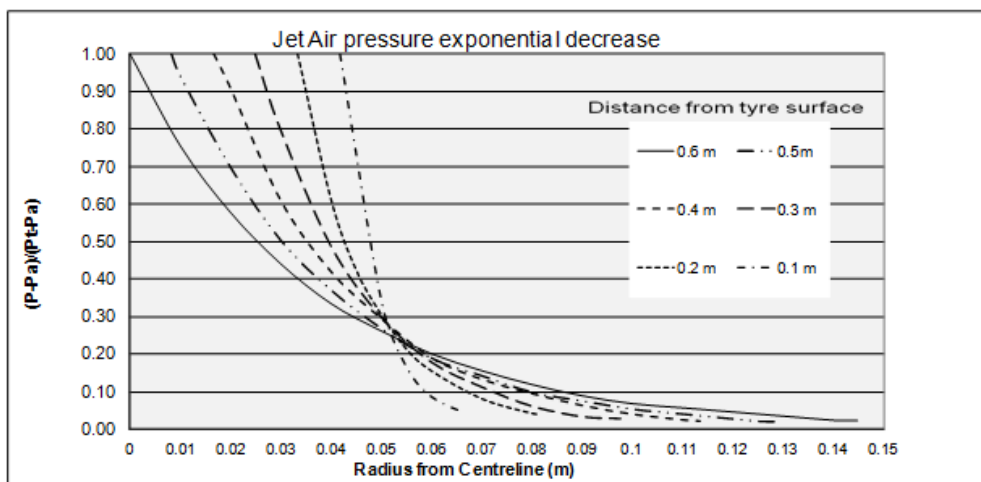


Figure 4c – Tyre Burst Pressure Effect – Bias Tyre
Air jet pressure distribution



P_a = Ambient pressure
 $P = P(x,z)$ = Pressure inside the cone as shown on Figure 2b
 P_t = Tyre Burst pressure

CS-25 BOOK 2

Figure 4d – Tyre Burst Pressure Effect – Radial Tyre

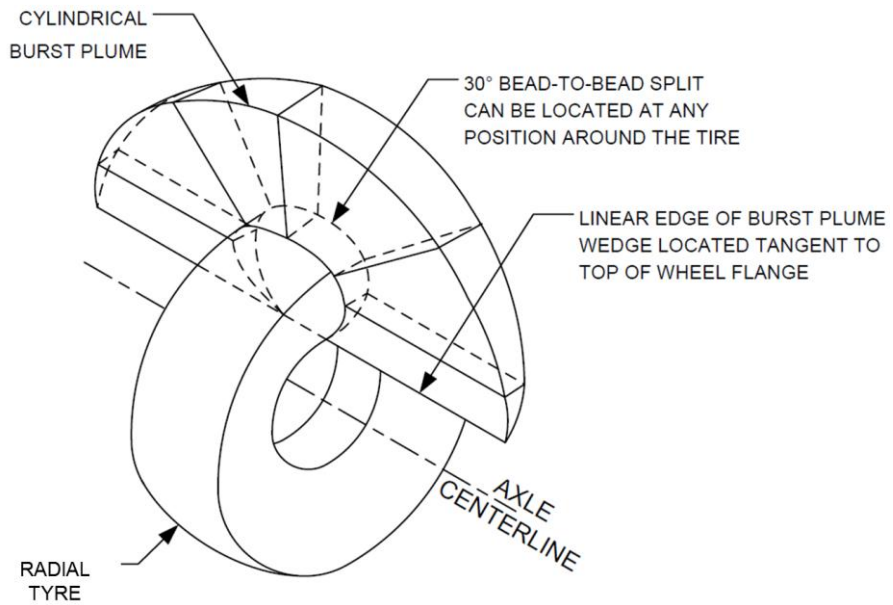
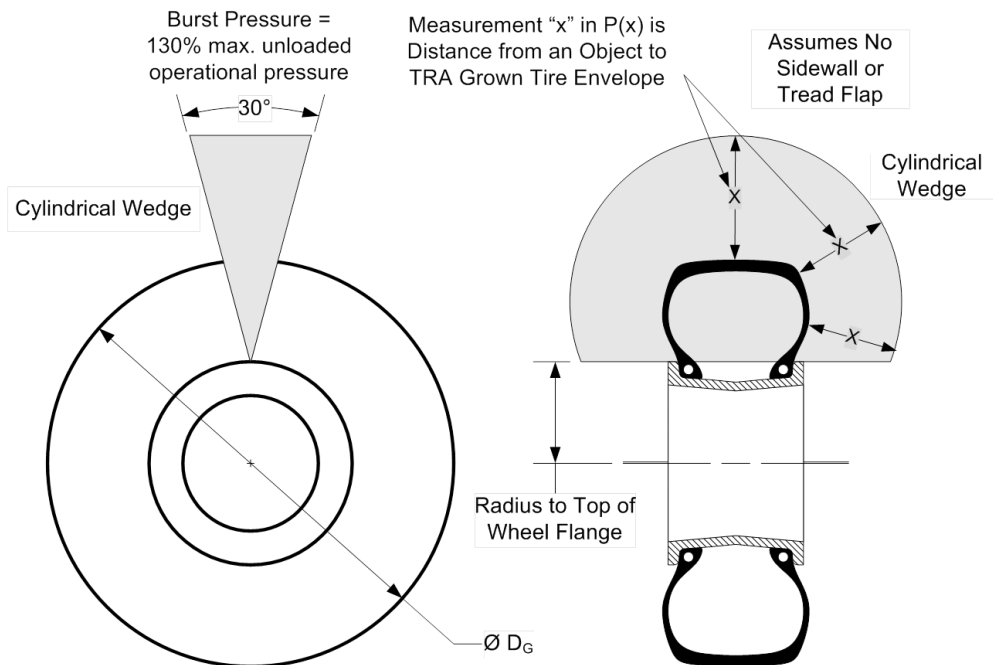


Figure 4e – Tyre Burst Pressure Effect – Radial Tyre



CS-25 BOOK 2

Radial Tyre Burst Pressure Decay Formula

$$P(x) = 0.5283 \cdot (P_t - P_0) \left[1.4 \cdot e^{-\left(\frac{\psi}{3}\right)x} + e^{-\psi \cdot x} \right] + P_0$$

Where:

$$\psi \cdot x = \left(\frac{C_1}{\left(\frac{W_G}{in.}\right)^{C_2}} + C_3 \right) \cdot \frac{x}{in.}$$

Or:

$$\psi \cdot x = \left(\frac{C_1}{\left(\frac{W_G}{25.4mm}\right)^{C_2}} + C_3 \right) \cdot \frac{x}{25.4mm}$$

and:

$$C_1 = 12.478,$$

$$C_2 = 1.222,$$

$$C_3 = 0.024$$

W_G = the Maximum Grown Section Width of the tyre[in or mm] as specified in the Tyre & Rim Association (TRA) designation for the tyre

P_t = Total or burst pressure[psia or bar]

P_0 = Ambient pressure[psia or bar]

x = Distance from object to grown tyre surface [in or mm]

If $P(x) > P_t$ then $P(x) = P_t$; otherwise $P(x) = P(x)$.

[Amdt. No.: 25/14]

AMC 25.735**Brakes and Braking Systems Certification Tests and Analysis**

1. PURPOSE

This AMC (Acceptable Means of Compliance) which is similar to the FAA Advisory Circular AC 25.735-1 provides guidance material for use as an acceptable means, although not the only means, of demonstrating compliance with the requirements of CS 25.731 and CS 25.735. It also identifies other paragraphs of the EASA Certification Specifications (CS) that contain related requirements and other related and complementary documents.

2. RELATED REGULATORY MATERIAL AND COMPLEMENTARY DOCUMENTS

a. Related EASA Certification Specifications

CS-25 BOOK 2

Part-21 and CS-25 paragraphs (and their associated AMC material where applicable) that prescribe requirements related to the design substantiation and certification of brakes and braking systems include:

21A.303	Compliance with applicable requirements
CS 25.101	General
CS 25.109	Accelerate-stop distance
CS 25.125	Landing
CS 25.301	Loads
CS 25.303	Factor of safety
CS 25.729	Retracting mechanism
CS 25.733	Tyres
CS 25.1301	Function and installation
CS 25.1309	Equipment, systems and installations
CS 25.1322	Warning, caution and advisory lights
CS 25.1501	General: Systems and Equipment Limitations
CS 25.1541	Markings and Placards: General
CS 25.1591	Supplementary performance information

Additional Part-21 and CS-25 paragraphs (and their associated AMC material where applicable) that prescribe requirements which can have a significant impact on the overall design and configuration of brakes and braking systems are, but are not limited to:

21A.101	Designation of applicable certification specifications and environmental protection requirements
CS 25.671	General: Control Systems
CS 25.863	Flammable fluid fire protection
CS 25.1001	Fuel jettisoning system
CS 25.1183	Flammable fluid-carrying components
CS 25.1185	Flammable fluids
CS 25.1315	Negative acceleration (FAR 25.943)

b. Complementary Documents

Documents that provide appropriate standards for the design substantiation and certification of Brakes and Braking Systems are, but are not limited to:

(i) European Technical Standard Orders (ETSO)

ETSO-C47	Pressure Instruments - Fuel, Oil and Hydraulic
ETSO-C26c	Aircraft Wheels and Wheel-Brake Assemblies with Addendum I
ETSO-2C75	Hydraulic Hose Assemblies
ETSO-C62d	Aircraft Tyres
ETSO-C135	Transport Aeroplane Wheels and Wheel and Brake Assemblies

(ii) Advisory Circulars/Acceptable Means of Compliance

AC 25.1309-1A	System Design and Analysis
AC 25-7A	Flight Test Guide for Certification of Transport Category Airplanes
AC 21-29A	Detecting and Reporting Suspected Unapproved Parts
AC 91-6A	Water, Slush, and Snow on the Runway
AMC 25.1591	The derivation and methodology of performance information for use when taking-off and landing with contaminated runway surface conditions.
AMC 20-115	Software Considerations for Airborne Systems and Equipment Certification

(iii) Society of Automotive Engineers (SAE) Documents

CS-25 BOOK 2

ARP 597C	Wheels and Brakes, Supplementary Criteria for Design Endurance - Civil Transport Aircraft
ARP 813A	Maintainability Recommendations for Aircraft Wheels and Brakes
AIR 1064B	Brake Dynamics
ARP 1070B	Design and Testing of Anti-skid Brake Control Systems for Total Aircraft Compatibility
AS 1145A	Aircraft Brake Temperature Monitor System (BTMS)
ARP 1619	Replacement and Modified Brakes and Wheels
AIR 1739	Information on Anti-skid Systems
ARP 1907	Automatic Braking Systems Requirements
AIR 1934	Use of Carbon Heat Sink Brakes on Aircraft
ARP 4102/2	Automatic Braking System (ABS)
ARP 4752	Aerospace - Design and Installation of Commercial Transport Aircraft Hydraulic Systems (Note: This document provides a wide range of Civil, Military and Industry document references and standards which may be appropriate.)

(iv) International Organisation for Standardisation (ISO) Documents

ISO 7137 Environmental Conditions and Test Procedures for Airborne Equipment.

(v) US Military Documents

MIL-STD-810 Environmental Test Methods and Engineering Guidelines.

(vi) The European Organisation for Civil Aviation Equipment Documents

ED-14G/RTCA DO-160G	Environmental Conditions and Test Procedures for Airborne Equipment.
AMC 20-115	Software Considerations for Airborne Systems and Equipment Certification.

3. RESERVED

4. DISCUSSION

a. Ref. CS 25.735(a) Approval

(1) CS 25.735(a) states that each assembly consisting of a wheel(s) and brake(s) must be approved. Each wheel and brake assembly fitted with each designated and approved tyre type and size, where appropriate, should be shown to be capable of meeting the minimum standards and capabilities detailed in the applicable European Technical Standard Order (E)TSO, in conjunction with the type certification procedure for the aeroplane, or by any other means approved by the Agency. This applies equally to replacement, modified, and refurbished wheel and brake assemblies or components, whether the changes are made by the Original Equipment Manufacturer (OEM) or others. Additionally, the components of the wheels, brakes, and braking systems should be designed to:

(a) Withstand all pressures and loads, applied separately and in conjunction, to which they may be subjected in all operating conditions for which the aeroplane is certificated.

(b) Withstand simultaneous applications of normal and emergency braking functions, unless adequate design measures have been taken to prevent such a contingency.

(c) Meet the energy absorption requirements without auxiliary cooling devices (such as cooling fans).

(d) Not induce unacceptable vibrations at any likely ground speed and condition or any

CS-25 BOOK 2

operating condition (such as retraction or extension).

(e) Protect against the ingress or effects of foreign bodies or materials (water, mud, oil, and other products) that may adversely affect their satisfactory performance. Following initial aeroplane certification, any additional wheel and brake assemblies should meet the applicable airworthiness requirements specified in 21A.101(a) and (b) to eliminate situations that may have adverse consequences on aeroplane braking control and performance. This includes the possibility of the use of modified brakes either alone (i.e., as a ship set) or alongside the OEM's brakes and the mixing of separately approved assemblies.

(2) Refurbished and Overhauled Equipment. Refurbished and overhauled equipment is equipment overhauled and maintained by the applicable OEM or its designee in accordance with the OEM's Component Maintenance Manual (CMM) and associated documents. It is necessary to demonstrate compliance of all refurbished configurations with the applicable (E)TSO and aeroplane manufacturer's specifications. It is also necessary to verify that performances are compatible for any combination of mixed brake configurations, including refurbished/overhauled and new brakes. It is essential to assure that Aeroplane Flight Manual braking performance and landing gear and aeroplane structural integrity are not adversely altered.

(3) Replacement and Modified Equipment. Replacement and modified equipment includes changes to any approved wheel and brake assemblies not addressed under paragraph 4a(2) of this AMC. Consultation with the aeroplane manufacturer on the extent of testing is recommended. Particular attention should be paid to potential differences in the primary brake system parameters (e.g., brake torque, energy capacity, vibration, brake sensitivity, dynamic response, structural strength, and wear state). If comparisons are made to previously approved equipment, the test articles (other than the proposed parts to be changed) and conditions should be comparable, as well as the test procedures and equipment on which comparative tests are to be conducted. For wheel and brake assembly tests, the tyre size, manufacturer, and ply rating used for the test should be the same and the tyre condition should be comparable. For changes of any heat sink component parts, structural parts (including the wheel), and friction elements, it is necessary to provide evidence of acceptable performance and compatibility with the aeroplane and its systems.

(a) Minor Changes. Changes to a brake might be considered as a minor change, as long as the changes are not to the friction elements. The proposed change cannot affect the aeroplane stopping performance, brake energy absorption characteristics, and/or continued airworthiness of the aeroplane or wheel and brake assembly (e.g., vibration and/or thermal control, and brake retraction integrity). Technical evidence justifying a minor change should be provided.

(b) Major Changes. Changes to a wheel assembly outside the limits allowed by the OEM's CMM should be considered a major change due to potential airworthiness issues.

(c) Past history with friction elements has indicated the necessity of ongoing monitoring (by dynamometer test) of frictional and energy absorption capabilities to assure that they are maintained over the life of the aeroplane program. These monitoring plans have complemented the detection and correction of unacceptable deviations. A monitoring plan should be submitted to the cognisant Certification Office to ensure continued airworthiness of the product.

(d) Intermixing of wheel and brake assemblies from different suppliers is generally not acceptable due to complexities experienced with different friction elements, specific brake control tuning, and other factors.

b. Ref. CS 25.735(b) Brake System Capability

(1) The system should be designed so that no single failure of the system degrades the aeroplane stopping performance beyond doubling the braked roll stopping distance (refer to CS 25.735(b)(1)). Failures are considered to be fracture, leakage, or jamming of a component in the system, or loss of an energy source. Components of the system include all parts that contribute to transmitting the pilot's braking command to the actual generation of braking force. Multiple failures resulting from a single cause should be

CS-25 BOOK 2

considered a single failure (e.g., fracture of two or more hydraulic lines as a result of a single tyre failure). Sub-components within the brake assembly, such as brake discs and actuators (or their equivalents), should be considered as connecting or transmitting elements, unless it is shown that leakage of hydraulic fluid resulting from failure of the sealing elements in these sub-components within the brake assembly would not reduce the braking effectiveness below that specified in CS 25.735(b)(1).

(a) In order to meet the stopping distance requirements of CS 25.735(b)(1) in the event of failure of the normal brake system, it is common practice to provide an alternate brake system. The normal and alternate braking systems should be independent, being supplied by separate power sources. Following a failure of the normal system, the changeover to a second system (whether manually or by automatic means) and the functioning of a secondary power source should be effected rapidly and safely. The changeover should not involve risk of wheel locking, whether the brakes are applied or not at the time of changeover.

(b) The brake systems and components should be separated or appropriately shielded so that complete failure of the braking system(s) as a result of a single cause is minimised.

(2) Compliance with CS 25.735(b)(2) may be achieved by:

(a) Showing that fluid released would not impinge on the brake, or any part of the assembly that might cause the fluid to ignite;

(b) Showing that the fluid will not ignite; or

(c) Showing that the maximum amount of fluid released is not sufficient to sustain a fire.

(3) Additionally, in the case of a fire, it may be shown that the fire is not hazardous, taking into consideration such factors as landing gear geometry, location of fire sensitive (susceptibility) equipment and installations, system status, flight mode, etc.

If more than one fluid is allowed for the hydraulic system, compliance should be addressed for all fluids.

c. Ref. CS 25.735(c) Brake Controls

(1) The braking force should increase or decrease progressively as the force or movement applied to the brake control is increased or decreased (refer to CS 25.735(c)(1)). The braking force should respond to the control as quickly as is necessary for safe and satisfactory operation. A brake control intended only for parking need not operate progressively. There should be no requirement to select the parking brake "off" in order to achieve a higher braking force with manual braking.

(2) When an automatic braking system is installed (refer to CS 25.735(c)(2)) such that various levels of braking (e.g., low, medium, high) may be preselected to occur automatically following a touchdown, the pilot(s) should be provided with a means that is separate from other brake controls to arm and/or disarm the system prior to the touchdown.

(3) The automatic braking system design should be evaluated for integrity and non-hazard, including the probability and consequence of insidious failure of critical components, and non interference with the non-automatic braking system. Single failures in the automatic braking system should not compromise non-automatic braking of the aeroplane. Automatic braking systems that are to be approved for use in the event of a rejected take-off should have a single selector position, set prior to take-off, enabling this operating mode.

d. Ref. CS 25.735(d) Parking Brake

It should be demonstrated that the parking brake has sufficient capability in all allowable operating conditions (Master Minimum Equipment List (MMEL)) to be able to prevent the rotation of braked wheels. This demonstration is to be accomplished with the stated engine power settings, and with the aeroplane configuration (i.e., ground weight, c.g., position and nose-wheel (or tail-wheel) angle) least likely to result in

CS-25 BOOK 2

skidding on a dry, level runway surface (refer to CS 25.735(d)). Use of ground idle thrust on the “other” engine is not mandatory, higher thrust levels may be used to prevent aeroplane motion due to the asymmetric engine thrust. Where reliable test data are available, substantiation by means other than aeroplane testing may be acceptable.

(1) For compliance with the requirement for indication that the parking brake is not fully released, the indication means should be associated, as closely as is practical, with actual application of the brake rather than the selector (control). The intent is to minimise the possibility of false indication due to failures between the brake and the point at which the parking brake state is sensed. This requirement is separate from, and in addition, to the parking brake requirements associated with CS 25.703(a)(3), Take-off warning systems.

(2) The parking brake control, whether or not it is independent of the emergency brake control, should be marked with the words "Parking Brake" and should be constructed in such a way that, once operated, it can remain in the selected position without further flight crew attention. It should be located where inadvertent operation is unlikely, or be protected by suitable means against inadvertent operation.

e. Ref. CS 25.735(e) Anti-skid System

(1) If an anti-skid system is installed (refer to CS 25.735(e)), then no single failure in the anti-skid system should result in the brakes being applied, unless braking is being commanded by the pilot. In the event of an anti-skid system failure, means should be available to allow continued braking without anti-skid. These means may be automatic, pilot controlled, or both.

(2) Compliance with CS 25.735(e)(1) and (e)(2) may be achieved by:

(a) Failures that render the system ineffective should not prevent manual braking control by the pilot(s) and should normally be indicated. Failure of wheels, brakes, or tyres should not inhibit the function of the anti-skid system for unaffected wheel, brake, and tyre assemblies.

(b) The anti-skid system should be capable of giving a satisfactory braking performance over the full range of tyre to runway friction coefficients and surface conditions, without the need for pre-flight or pre-landing adjustments or selections. The range of friction coefficients should encompass those appropriate to dry, wet, and contaminated surfaces and for both grooved and ungrooved runways.

(c) The use of the phrase “without external adjustment” is intended to imply that once the anti-skid system has been optimised for operation over the full range of expected conditions for which the aeroplane is to be type certificated, pre-flight or pre-landing adjustments made to the equipment to enable the expected capabilities to be achieved are not acceptable. For example, a specific pre-landing selection for a landing on a contaminated low μ (friction level) runway, following a take-off from a dry high μ runway, should not be necessary for satisfactory braking performance to be achieved.

(d) It should be shown that the brake cycling frequency imposed by the anti-skid installation will not result in excessive loads on the landing gear. Anti-skid installations should not cause surge pressures in the brake hydraulic system that would be detrimental to either the normal or emergency brake system and components.

(e) The system should be compatible with all tyre sizes and type combinations permitted and for all allowable wear states of the brakes and tyres. Where brakes of different types or manufacture are permitted, compatibility should be demonstrated or appropriate means should be employed to ensure that undesirable combinations are precluded.

(f) The anti-skid function must be able to reduce braking for a wheel/tyre that is going into a skid, whether the braking level is commanded by the pilot or an auto-brake system if installed.

CS-25 BOOK 2

f. Ref. CS 25.735(f) Kinetic Energy Capacity

The kinetic energy capacity of each tyre, wheel, and brake assembly should be at least equal to that part of the total aeroplane energy that the assembly will absorb during a stop, with the heat sink at a defined condition at the commencement of the stop (Refer to CS 25.735(f)).

(1) Calculation of Stop Kinetic Energy.

(a) The design landing stop, the maximum kinetic energy accelerate-stop, and the most severe landing stop brake kinetic energy absorption requirements of each wheel and brake assembly should be determined using either of the following methods:

(i) A conservative rational analysis of the sequence of events expected during the braking manoeuvre; or

(ii) A direct calculation based on the aeroplane kinetic energy at the commencement of the braking manoeuvre.

(b) When determining the tyre, wheel, and brake assembly kinetic energy absorption requirement using the rational analysis method, the analysis should use conservative values of the aeroplane speed at which the brakes are first applied, the range of the expected coefficient of friction between the tyres and runway, aerodynamic and propeller drag, powerplant forward thrust, and, if more critical, the most adverse single engine or propeller malfunction.

(c) When determining the tyre, wheel, and brake assembly energy absorption requirement using the direct calculation method, the following formula, which needs to be modified in cases of designed unequal braking distribution, should be used:

$$KE = 0.0443 WV^2/N \text{ (ft-lb.)}$$

where KE = Kinetic Energy per wheel (ft-lb.)
 N = Number of main wheels with brakes
 W = Aeroplane Weight (lb.)
 V = Aeroplane Speed (knots)

or if SI (Metric) units are used:

$$KE = 1/2 mV^2/N \text{ (Joule)}$$

where KE = Kinetic Energy per wheel (J)
 N = Number of main wheels with brakes
 m = Aeroplane Mass (kg.)
 V = Aeroplane Speed (m/s)

(d) For all cases, V is the ground speed and takes into account the prevailing operational conditions. All approved landing flap conditions should be considered when determining the design landing stop energy.

(e) These calculations should account for cases of designed unequal braking distributions. "Designed unequal braking distribution" refers to unequal braking loads between wheels that result directly from the design of the aeroplane. An example would be the use of both main-wheel and nose-wheel brakes, or the use of brakes on a centreline landing gear supporting lower vertical loads per braked wheel than the main landing gear braked wheels. It is intended that this term should account for effects such as runway crown. Crosswind effects need not be considered.

(f) For the design landing case, the aeroplane speed should not be less than $V_{REF}/1.3$, where V_{REF} is the aeroplane steady landing approach speed at the maximum design landing weight and in the landing configuration at sea level. Alternatively, the aeroplane speed should not be less than V_{SO} , the power-off stall speed of the aeroplane at sea level, at the design landing weight, and in the landing configuration.

CS-25 BOOK 2

(g) For the most severe landing case, the effects and consequences of typical single and multiple failure conditions that are foreseeable events and can necessitate landings at abnormal speeds and weights should be addressed. The critical landing weight for this condition is the maximum take-off weight, less fuel burned and jettisoned during a return to the departure airfield. A 30-minute flight should be assumed, with 15 minutes of active fuel jettisoning if equipped with a fuel jettisoning system.

(2) Heat Sink Condition at Commencement of the Stop.

(a) For the maximum kinetic energy accelerate-stop case, the calculation should account for:

(i) The brake temperature following a previous typical landing,

(ii) The effects of braking during taxi-in, the temperature change while parked,

(iii) The effects of braking during taxi-out, and

(iv) The additional temperature change during the take-off acceleration phase, up to the time of brake application.

(b) The analysis may not take account of auxiliary cooling devices. Assessment of ambient conditions within the operational limits established by the applicant and the typical time the aeroplane will be on the ground should be used.

(c) For the most severe landing stop case, the same temperature conditions and changes used for the maximum kinetic energy accelerate-stop case should be assumed, except that further temperature change during the additional flight phase may be considered.

(d) The brake temperature at the commencement of the braking manoeuvre should be determined using the rational analysis method. However, in the absence of such analysis, an arbitrary heat sink temperature should be used equal to the normal ambient temperature, increased by the amount that would result from a 10 percent maximum kinetic energy accelerate-stop for the accelerate-stop case and from a 5 percent maximum kinetic energy accelerate-stop for landing cases.

(3) Substantiation.

(a) Substantiation is required to show that the wheel and brake assembly is capable of absorbing the determined levels of kinetic energy at all permitted wear states up to and including the declared fully worn limits. The term "wear state" is used to clarify that consideration should be given to possible inconsistencies or irregularities in brake wear in some circumstances, such as greater wear at one end of the heat sink than the other end. Qualification related to equally distributed heat sink wear may not be considered adequate. If in-service wear distribution is significantly different from wear distribution used during qualification testing, additional substantiation and/or corrective action may be necessary.

(b) The minimum initial brakes-on speed used in the dynamometer tests should not be more than the velocity (V) used in the determination of the kinetic energy requirements of CS 25.735(f). This assumes that the test procedure involved a specific rate of deceleration and, therefore, for the same amount of kinetic energy, a higher initial brakes-on speed would result in a lower rate of energy absorption. Such a situation is recognised and is similarly stated in (E)TSO-C135, which provides an acceptable means for brake approval under CS 25.735(a).

(c) For certification purposes, a brake having a higher initial brakes-on speed is acceptable if the dynamometer test showed that both the energy absorbed and the energy absorption rates required by CS 25.735(f) had been achieved.

CS-25 BOOK 2

(d) Brake qualification tests are not intended as a means of determining expected aeroplane stopping performance, but may be used as an indicator for the most critical brake wear state for aeroplane braking performance measurements.

g. Ref. CS 25.735(g) Brake Condition after High Kinetic Energy Dynamometer Stop(s)

(1) Following the high kinetic energy stop(s), the parking brake should be capable of restraining further movement of the aeroplane and should maintain this capability for the period during which the need for an evacuation of the aeroplane can be determined and then fully accomplished. It should be demonstrated that, with a parking brake application within a period not exceeding 20 seconds of achieving a full stop, or within 20 seconds from the time that the speed is retarded to 37 km/h (20 knots) (or lower), in the event that the brakes are released prior to achieving a full stop (as permitted by (E)TSO-C135), the parking brake can be applied normally and that it remains functional for at least 3 minutes.

(2) Practical difficulties associated with dynamometer design may preclude directly demonstrating the effectiveness of the parking brake in the period immediately following the high energy dynamometer stop(s). Where such difficulties prevail, it should be shown that, for the 3-minute period, no structural failure or other condition of the brake components occurs that would significantly impair the parking brake function.

(3) Regarding the initiation of a fire, it should be demonstrated that no continuous or sustained fire, extending above the level of the highest point of the tyre, occurs before the 5-minute period has elapsed. Neither should any other condition arise during this same period or during the stop, either separately or in conjunction with a fire, that could be reasonably judged to prejudice the safe and complete aeroplane evacuation. Fire of a limited extent and of a temporary nature (e.g., those involving wheel bearing lubricant or minor oil spillage) is acceptable. For this demonstration, neither fire-fighting means nor coolants may be applied.

h. Ref. CS 25.735(h) Stored energy systems

(1) Stored energy systems use a self-contained source of power, such as a pressurised hydraulic accumulator or a charged battery (refer to CS 25.735(h)). This requirement is not applicable for those aeroplanes that provide a number of independent braking systems, including a stored energy system, but are not "reliant" on the stored energy system for the demonstration of compliance with CS 25.735(b).

(2) The indication of usable stored energy should show:

(a) The minimum energy level necessary to meet the requirements of CS 25.735(b)(1) and (h) (i.e., the acceptable level for dispatch of the aeroplane);

(b) The remaining energy level; and

(c) The energy level below which further brake application may not be possible.

(3) If a gas pressurised hydraulic accumulator is to be used as the energy storage means, indication of accumulator pressure alone is not considered adequate means to indicate available stored energy, unless verification can be made of the correct pre-charge pressure with the hydraulic system pressure off and the correct fluid volume with the hydraulic system pressure on. Furthermore, additional safeguards may be necessary to ensure that sufficient energy will be available at the end of the flight. Similar considerations should be made if other stored energy systems are used.

(4) A full brake application cycle is defined as an application from brakes fully released to brakes fully applied, and back to fully released.

i. Ref. CS 25.735(i) Brake wear indicators

CS-25 BOOK 2

The indication means should be located such that no special tool or illumination (except in darkness) is required. Expert interpretation of the indication should not be necessary (refer to CS 25.735(i)).

j. Ref. CS 25.731(d) and CS 25.735(j) Over-temperature and Over-pressure Burst Prevention

Over-temperature and over-pressure burst prevention. Generally, two separate types of protection should be provided: one specifically to release the tyre pressure should the wheel temperature increase to an unacceptable level, and the other to release the tyre pressure should the pressure become unacceptably high, particularly during the inflation process. The temperature sensitive devices are required in braked wheels only, but the pressure sensitive devices are required in all wheels (refer to CS 25.735(j) and 25.731(d)).

(1) The temperature sensitive devices (e.g., fuse or fusible plugs) should be sufficient in number and appropriately located to reduce the tyre pressure to a safe level before any part of the wheel becomes unacceptably hot, irrespective of the wheel orientation. The devices should be designed and installed so that once operated (or triggered) their continued operation is not impaired by the releasing gas. The effectiveness of these devices in preventing hazardous tyre blow-out or wheel failure should be demonstrated. It should also be demonstrated that the devices will not release the tyre pressure prematurely during take-off and landing, including during “quick turnaround” types of operation.

(2) It should be shown that the over-pressurisation devices, or the devices in conjunction with the tyre inflation means *permanently* installed in the wheel, would not permit the tyre pressure to reach an unsafe level regardless of the capacity of the inflation source.

(3) Both types of devices should normally be located within the structure of the wheel in positions that minimise the risk of damage or tampering during normal maintenance.

k. Ref. CS 25.735(k) Compatibility

Compliance with CS 25.735(k) may be achieved by the following:

(1) As part of the overall substantiation of safe and anomaly free operation, it is necessary to show that no unsafe conditions arise from incompatibilities between the brakes and brake system with other aeroplane systems and structures. Areas that should be explored include anti-skid tuning, landing gear dynamics, tyre type and size, brake combinations, brake characteristics, brake and landing gear vibrations, etc. Similarly, wheel and tyre compatibility should be addressed. These issues should be readdressed when the equipment is modified.

(2) During brake qualification testing, sufficient dynamometer testing over the ranges of permissible brake wear states, energy levels, brake pressures, brake temperatures, and speeds should be undertaken to provide information necessary for systems integration.

l. Ref. CS 25.735(l) Wheel brake temperature.

The use of fusible plugs in the wheels is not a complete safeguard against damage due to tyre burst. Where brake overheating could be damaging to the structure of, or equipment in, the wheel wells, an indication of brake temperature should be provided to warn the pilot.

[Amdt. No.: 25/2]

[Amdt. No.: 25/8]

[Amdt. No.: 25/12]

[Amdt. No.: 25/14]

CS-25 BOOK 2**AMC 25.735(f)****Brakes**

For determination of the design landing brake kinetic energy capacity rating, the initial condition of the brakes may be selected and can be any condition representative of service use, including new, and which satisfies the applicable ETSO or other acceptable brake qualification test standard.

AMC 25.745(a)**Nose-wheel Steering**

In a powered nose-wheel steering system the normal supply for steering should continue without interruption in the event of failure of any one power-unit. With the remaining power-units operating at ground idling condition, the power supply should be adequate –

- a. To complete an accelerate-stop manoeuvre following a power-unit failure which occurs during take-off, and
- b. To complete a landing manoeuvre following a power-unit failure which occurs during take-off or at any later stage of flight.

AMC 25.745(c)**Nose-wheel Steering**

1 No failure or disconnection need be assumed in respect of parts of proven integrity e.g. a simple jack or manual selector valve, but slow leakage from pipe joints and fracture of pipes should be considered as probable failures.

2 In assessing where the inadvertent application of steering torque as a result of a single failure would lead to danger, allowance may be made for the pilot's instinctive reaction to the effects of the fault. However, dependent on the urgency and rapidity of warning of the failure given to the pilot, allowance should be made for a reaction time before it is assumed that the pilot takes any corrective action.

AMC 25.745(d)**Nose-wheel Steering**

CS 25.745(d) provides for the two following options:

1. A 'no damage' situation exists, because damage is precluded.
2. Damage can occur, but indication to the flight crew is provided.

(a) General consideration to CS 25.745(d)(1) and (2)

Some damage may occur during ground manoeuvring activities that can be considered acceptable and judged to be normal wear and tear. It is not intended that such damage needs necessarily to be precluded or that it should initiate a flight crew alert.

(b) To comply with CS 25.745(d)(1) the following applies:

The aeroplane may be designed in such a way that under all ground manoeuvring operations by any towing means, no damage affecting the steering system can occur.

Examples are:

- The steering system is designed sufficiently strong to resist any applied towing input.
- The steering system is designed to allow 360 degrees rotation.

CS-25 BOOK 2

- The steering system is disconnected either automatically or by operational procedure.
- The steering system is protected by shear sections installed on the nose landing gear.

(c) To comply with CS 25.745(d)(2), the following applies:

When protection is afforded by the flight crew alerting system, the damage detection means should be independent of the availability of aeroplane power supplies and should be active during ground manoeuvring operations effected by means independent of the aeroplane. If damage may have occurred, a latched signal should be provided to the flight crew alerting system.

(d) Alternative Acceptable Means of Compliance to CS 25.745(d)(1) and (2):

In the case where the aeroplane design does not comply with CS 25.745(d)(1) and (d)(2), the following apply:

(1) The Aeroplane Flight Manual, in the Section Limitations, should include a statement that 'Towbarless towing is prohibited', or

(2) The Aeroplane Flight Manual, in the Section Limitations, should include a statement that:

'Towbarless towing is prohibited unless the towbarless towing operations are performed in compliance with the appropriate operational regulation using towbarless towing vehicles that are designed and operated to preclude damage to the aeroplane nose wheel steering system, or which provide a reliable and unmistakable warning when damage to the steering system has occurred.

Towbarless towing vehicles that are specifically accepted for this type of aeroplane are listed in the [appropriate maintenance documentation] provided by the aeroplane manufacturer.'

'Appropriate maintenance documentation' means Instructions for Continued Airworthiness as described in Appendix H, paragraph H25.3(a)(4) of CS-25.

(3) The acceptance by the aeroplane manufacturer of the applicable towbarless towing vehicles and its reliability of the oversteer protection and/or indication system as referred to in subparagraph ((d)(2)) above should be based on the following:

(i) The aeroplane Nose Wheel Steering Failure Analysis should include the effects of possible damage caused by towbarless towing operations.

(ii) If the Nose Wheel Steering Failure Analysis shows that damage to the steering system by the use of towbarless towing may result in a Failure Condition that can be classified as Hazardous or Catastrophic (refer to CS 25.1309), the acceptance of a towing vehicle oversteer protection and/or indication system should be based on an aeroplane safety analysis, encompassing the reliability of that vehicle system in order to meet the aeroplane safety objectives.

(iii) If the Nose Wheel Steering Failure Analysis shows that damage to the steering system by the use of towbarless towing may result in a Failure Condition that can be classified as Major or less severe, the aeroplane manufacturer can accept the design of the towing vehicle oversteer indication and/or protection system based on a 'Declaration of Compliance', issued by the towbarless towing vehicle manufacturer. This declaration will state that the vehicle design complies with the applicable standards (SAE ARPs, Aeroplane Towing Assessment Criteria Document) and that it is designed and built under ISO 9001 quality standards or equivalent.

CS-25 BOOK 2

Such a declaration must be made regarding all Towbarless Towing Vehicles to be used for ground manoeuvring of CS-25 certificated aeroplanes.

[Amdt No: 25/13]

AMC 25.773**Pilot compartment view**

The FAA Advisory Circular AC 25.773-1 : Pilot Compartment View Design Considerations (January 8, 1993), is accepted by the EASA as providing acceptable means of compliance with CS 25.773.

[Amdt. No.: 25/4]

AMC 25.775(d)**Windshields and Windows**

1. PURPOSE. This AMC sets forth an acceptable means, but not the only means, of demonstrating compliance with the provisions of CS-25 pertaining to the certification requirements for windshields, windows, and mounting structure. Guidance information is provided for showing compliance with CS 25.775(d), relating to structural design of windshields and windows for aeroplanes with pressurised cabins.

2. RELATED CS PARAGRAPHS.

CS 25.775	Windshields and windows.
CS 25.365	Pressurised compartment loads.
CS 25.773(b)(3)(ii)	Pilot compartment view.
CS 25.571	Damage-tolerance and fatigue evaluation of structure

3. DEFINITIONS.

a. Annealed glass. Glass that has had the internal stresses reduced to low values by heat treatment to a suitable temperature and controlled cooling.

b. Chemically toughened glass. Annealed glass immersed in a bath of molten salt resulting in an ion exchange between the salt and the glass. The composition of the salt is such that this ion exchange causes the surface of the glass to be distorted (expansion), thus putting the surface in a state of compression.

c. Creep. The change in dimension of a material under load over a period of time, not including the initial instantaneous elastic deformation. The time dependent part of strain resulting from an applied stress.

d. Cross-linking. The setting up of chemical links between molecular chains.

e. Modulus of Rupture (MOR). The maximum tensile or compressive longitudinal stress in a surface fibre of a beam loaded to failure in bending calculated from elastic theory.

f. Mounting. The structure that attaches the panel to the aircraft structure.

g. Notch sensitive. The extent to which the sensitivity of a material to fracture is increased by the presence of a surface non-homogeneity, such as a notch, a sudden change in cross section, a crack, or a scratch. Low notch sensitivity is usually associated with ductile materials, and high notch sensitivity is usually associated with brittle materials.

h. Pane/Ply. The pane/ply is a single sheet of transparent material.

CS-25 BOOK 2

- i. Panel. The panel is the complete windshield or window excluding the mounting.
- j. Thermally toughened glass. Annealed glass heated to its softening temperature after which the outer surfaces are rapidly cooled in a quenching medium resulting in the outer surface being put into a state of compression with the core material in tension to maintain equilibrium.
- k. Toughened glass. Annealed glass placed into a state of compressive residual stress, with the internal bulk in a compensating tensile stress. Toughening may be achieved by either thermal or chemical processes.

4. BACKGROUND. Fail-safe designs have prevented depressurisations in a considerable number of windshield failure incidents. There are few transparent materials for aircraft windshield and window applications, and due to their inherent material characteristics, they are not as structurally versatile as metallic materials. Transparent materials commonly used in the construction of windshields and windows are glass, polymethyl-methacrylate (acrylic), polycarbonate, and interlayer materials. The characteristics of these materials require special engineering solutions for aircraft windshield and window panel designs.

a. Glass. In general, glass has good resistance to scratching and chemical attack, such as wiper action, solvents, and de-icing fluid. Windshield and window panel designs, however, should take into account its other unique properties, which are considerably different from metals.

(1) Glass exhibits no sharp change in physical properties when heated or cooled and has no definite melting point.

(2) Unlike metals, glass is a hard brittle material that does not exhibit plastic deformation.

(3) Glass is much stronger in compression than in tension. Fracture will occur, under any form of loading, when the induced deformation causes the tensile stress to exceed the Modulus of Rupture (MOR).

(4) The strength of glass varies with the rate of loading; the faster the rate of loading the higher the strength, as is the case for bird impact loading. In addition, glass fracture stress for a load of short duration will substantially exceed that for a sustained load.

(5) The strength of glass, whether annealed or toughened, can be reduced by edge and surface damage such as scratches, chips, and gouges. Failure is usually initiated at some point of mechanical damage on the surface. However, thermal or chemical toughening can considerably increase the fracture strength of annealed glass.

(6) Safety factors necessary on glass components. The safety factors necessary for glass components are significantly higher than for other materials used in aircraft construction because of: the loss of strength with duration of load, the variability in strength inherent in glass, and the thickness tolerances and high notch sensitivity.

(7) There are generally two types of toughened glass:

(a) Thermally toughened glass. The surface of annealed glass may be placed in a state of compression by heating the glass to its softening temperature after which the outer surfaces are rapidly cooled in a quenching medium. As mentioned, this results in the outer surface being put into a state of compression with the core material in tension to maintain equilibrium. The surface compressive layer in thermally toughened glass is approximately 18 percent of the total thickness of the glass. There are limitations on the minimum thickness of glass that can be effectively toughened by thermal processing. Very thin glass can not be effectively toughened by these methods. In general, toughening can increase the MOR of a piece of glass by approximately 3.5 to 20 times. Thermally toughened glass has significant stored energy within it. This energy is released to a certain extent when the glass fractures. Generally, the higher the stored energy the smaller particles are on

CS-25 BOOK 2

fracture. Since thermal toughening leaves the glass with high compressive stresses in its surfaces, all cutting, grinding, or shaping must be done before toughening.

(b) Chemically toughened glass. Chemically toughening glass is achieved by immersion in a bath of molten salt of controlled composition. During the immersion process larger alkali ions in the salt replace smaller alkali ions in the surface of the glass. As a consequence of this unequal alkali ion exchange process, the structure of the surface of the glass is distorted by putting the surface in a state of compression similar to that of thermally toughened glass. Depending on the original glass composition and the bath processing, chemically toughened glass may have a compressive layer from 0.050 mm (0.002 inches) to over 0.50 mm (0.020 inches) regardless of the total glass thickness. The compression stress of chemically toughened glass can be made much higher than it can using thermal toughening. As the compressive layer in chemically toughened glass is much smaller than in thermally toughened glass, the stored energy within the glass does not cause the same visibility problems after failure. However, as with thermally toughened glass all cutting, grinding, and shaping must be done prior to toughening.

b. Polymethyl-methacrylate (acrylic). The acrylic materials used for aircraft transparent structural panels are unplasticised methyl-methacrylate based polymers. There are two basic forms of acrylic materials used in aircraft windshield and window panels, as-cast and biaxially stretched (stretched from a cross-linked base material).

(1) As-cast acrylic material: Forming acrylic material to a certain shape by pouring it into a mould and letting it harden without applying external pressure. Although not as notch sensitive as glass, unstretched acrylics have a notch sensitivity. This unplasticised methyl-methacrylate base polymer has good forming characteristics, optical characteristics and outdoor weathering properties.

(2) Biaxially stretched acrylic material: Stretching acrylic material aligns the polymer chains to give a laminar structure parallel to the axis of stretch, which enhances resistance to crazing, reduces crack propagation rates, and improves tensile properties. Stretching acrylic material reduces the materials formability. In addition, stretched acrylics have less notch sensitivity than unstretched acrylics.

(3) Properties. Compared with glass, these acrylics are soft and tough. In general, increasing the temperature causes a decrease in the mechanical properties of the material, increased temperature does not affect acrylic elongation and impact properties.

(4) Crazing. Both basic forms of acrylics used in aircraft transparencies are affected by crazing. Crazing is a network of fine cracks that extend over the surface of the plastic sheet (it is not confined to acrylic materials) and are often difficult to discern. These fine cracks tend to be perpendicular to the surface, very narrow, and are usually less than 0.025mm (.0010 inches) in depth. Crazing is induced by prolonged exposure to surface tensile stresses above a critical level or by exposure to organic fluids and vapours.

(a) Stress crazing may be derived from: residual stresses caused by poor forming practice; residual surface stresses induced by machining, polishing, or gouging; and prolonged loading inducing relatively high tensile stresses at a surface.

(b) Stress crazing has a severe effect on the mechanical properties of acrylics; however, the effects are reduced in stretched materials.

(c) Stress crazing affects the transparency of acrylics. Generally, stretched acrylic panels will be replaced due to loss of transparency from stress crazing before significant structural degradation occurs.

(5) Chemical resistance of acrylic materials. Typically, acrylic materials are resistant to inorganic chemicals and to some organic compounds, such as aliphatic (paraffin) hydrocarbons, hydrogenated aromatic compounds, fats, and oils.

CS-25 BOOK 2

(a) Acrylic materials are attacked and weakened by some organic compounds such as aromatic hydrocarbons (benzene), esters (generally in the form of solvents, and some de-icing fluids), ketones (acetone), and chlorinated hydrocarbons. Some hydraulic fluids are very detrimental to acrylic materials.

(b) Some detrimental compounds can induce crazing; others may dissolve the acrylic or be absorbed in the material. Crazing induced by solvent and other organic compounds has more severe effects on the mechanical properties than stress crazing. Dissolution of the acrylic and chemical absorption into the acrylic degrades the mechanical properties.

c. Polycarbonate. Polycarbonate is an amorphous thermoplastic with a glass transition temperature about 150°C, which shows large strain-to-break and high impact strength properties throughout the normal temperature range experienced by transport aircraft. Polycarbonate not only has significantly greater impact strength properties but also higher static strength properties when compared to acrylic materials.

(1) Polycarbonate exhibits very high deflections under impact conditions, which can result in higher loading into the aircraft structure, compared to glass or acrylic windshield and window panels.

(2) Polycarbonate polymer is very susceptible to degradation by the environment, due to moisture absorption and solvent stress cracking, as well as UV degradation. It is possible to prevent degradation by using good design and production practices and incorporating coatings and other forms of encapsulation. Polycarbonate also suffers from phenomena known as physical aging. This results in the change from ductile properties to brittle properties that occur when polycarbonate is exposed to temperatures between 80°C and 130°C.

(3) Polycarbonate and stretched acrylic fatigue properties are similar to metals when working (design) stresses are used for operating pressure loading design.

d. Interlayer Materials. Interlayer materials are transparent adhesive materials used to laminate glass and plastic structural plies for aircraft applications. Current choices are limited to plasticised polyvinyl butyral (incompatible with polycarbonate), polyurethane, and silicone. The most commonly used are true thermoplastics, but some polyurethanes and all silicones contain some cross-linking.

(1) Interlayer materials are considered to be non-structural because they do not directly support aircraft loads. However, glass windshields are often attached to the airframe structure through metal inserts bonded to the interlayer. For such designs the residual strength of the windshield in a condition where all glass plies have failed may be dependent upon the strength of the interlayer. In addition, the shear coupling effectiveness of the interlayer has a great influence on the stiffness of the laminate.

(2) Most interlayer materials are susceptible to moisture ingress into the laminate and are protected by compatible sealants in aircraft service.

(3) Interlayer materials, like structural plies, have a useful service life that is controlled by the surface degradation and removal of the transparency for optical reasons.

5. INTRODUCTION. The recommended methods for showing compliance with CS 25.775(d) for typical designs of windshields and windows are given in paragraph 7, Test and Analysis. Typical designs of windshields and cockpit side windows are laminated multi-ply constructions, consisting of at least two structural plies, facing plies, adhesive interlayers, protective coatings, embedded electro-conductive heater films or wires, and mounting structure. Typically the structural plies are made from thermally or chemically toughened glass, or transparent polymeric materials such as polymethyl-methacrylate (acrylic) and polycarbonate. These plies may be protected from abrasion, mechanical, and environmental damage by use of facing plies and/or protective coatings. The facing and structural plies are laminated together with adhesive interlayer material of poly-vinyl butyral (PVB), polyurethane, or silicone. Cabin window designs are typically multi-paned construction

CS-25 BOOK 2

consisting of two structural panes (a main load bearing pane and a fail-safe pane), inner facing panes, protective coatings, and mounting structure. Generally, the two structural panes are made from polymethyl-methacrylate and separated by an air gap. However, there are some cabin window designs that have laminated structural panes. The designs with the structural panes separated by an air gap usually are such that the fail-safe pane is not loaded unless the main pane has failed.

6. GENERAL CONSIDERATIONS FOR DESIGN.

a. Items to be considered in designing the mounting for suitability over the ranges of loading and climatic conditions include but are not limited to:

- (1) Deflection of the panes and mounting under pressure,
- (2) Deflection of the mounting structure as a result of fuselage deflection,
- (3) Differential contraction and expansion between the panes and the mounting,
- (4) Deflection of the panel resulting from temperature gradient across the thickness of the panel, and
- (5) Long term deformation (creep) particularly of non-metallic parts.

b. Fatigue and stress crazing should be evaluated for assemblies using polymeric structural plies. One way to reduce the occurrence of fatigue and stress crazing is by limiting the maximum working stress level over the complete panel assembly, making due allowance for expected in service deterioration resulting from weathering, minor damage, environmental attack, and the use of chemicals/cleaning fluids. This analysis should be based on:

- (1) The appropriate strength of the polymer as declared by the material manufacturer under sustained loading,
- (2) The panel assembly maintained at its normal working temperature as given by the windshield/window heating system, if installed, and
- (3) The ambient temperature on the outside and the cabin temperature on the inside. The most adverse likely ambient temperature should be covered.

7. **TESTS AND ANALYSIS.** The windshield and window panels must be capable of withstanding the maximum cabin pressure differential loads combined with critical aerodynamic pressure and temperature effects for intact and single failure conditions in the installation of associated systems. When substantiation is shown by test evidence, the test apparatus should closely simulate the structural behaviour (e.g., deformation under pressure loads) of the aircraft mounting structure up to the ultimate load conditions. Analysis may be used if previous testing can validate it. The effects of the following material characteristics should be evaluated and accounted for in the design and test results: notch sensitivity, fatigue, crazing, aging effects, corrosion (degradation by fluids), temperature, UV degradation, material stability, creep, and the function and working life of the interlayer. An acceptable route for the strength substantiation of a windshield or window panel is set out below.

a. Ultimate Static Strength.

(1) Conduct a detailed structural analysis using an appropriate structural analysis method to identify the highest stressed areas of the windshield or window panel. Subsequently confirm the structural analysis by subjecting a representatively mounted and instrumented windshield or window panel to ultimate load conditions. The panel should be subjected to the most adverse combinations of pressure loading, including the maximum internal pressure, external aerodynamic pressure, temperature effects, and where appropriate, flight loads.

CS-25 BOOK 2

(2) Establish allowable strength values including allowance for material production variability, material characteristics, long term degradation, and environmental effects for each structural ply from relevant coupon or sub-component test evidence. Check the critical design case to ensure that the allowables are not exceeded by the design ultimate stresses.

(3) In lieu of 7.a.(2) above, perform a test above ultimate pressure load to account for material production variability, material characteristics, long term degradation, and environmental effects. In lieu of a rational analysis substantiating the degree of increased loading above ultimate, a factor of 2.0 may be used (ultimate is defined as 1.5 times the pressure load defined in CS 25.365(d)). A separate test fixture may be needed to preclude loading the airframe above ultimate capability.

b. Fatigue. Conventional windshield and window panel materials exhibit good intrinsic fatigue resistance properties, but the variability in fatigue life is greater than that in aircraft quality metals. Thus a conventional cyclic fatigue test, but of extended duration, may be used to cover this variability. Testing at an elevated stress level for one aircraft lifetime could also give the necessary assurance of reliability. These approaches require consideration of the endurance of the metal parts of the mounting structure. Another approach that may be used in lieu of testing is to maintain the maximum working stresses in the windshield and window panel below values at which fatigue will occur. The maximum working stress level over the complete panel assembly should be shown by supporting evidence not to exceed values consistent with the avoidance of fatigue and stress crazing, considering deterioration resulting from weathering, minor damage and scratching in service, and use of cleaner fluids, etc. Fatigue resistance of the mounting structure should be covered separately as part of the fuselage fatigue substantiation.

c. Fail-Safe. Fail-safe strength capability of the windshield and window panels should be demonstrated after any single failure in the installation or associated systems. The demonstration should account for material characteristics and variability in service material degradation, critical temperature effects, maximum cabin differential pressure, and critical external aerodynamic pressure. The requirements of CS 25.571 for the windshield or window panels may be met by showing compliance with the fail-safe criteria in this AMC. Other single failures (besides the windshield and window panels) in the installation or associated systems should also be considered. An acceptable approach for demonstrating compliance is defined by the following method:

(1) Conduct an analysis to establish the critical main pressure bearing ply.

(2) To account for the dynamic effects of a ply failure, test the representatively mounted windshield and window panel by suddenly failing the critical ply under the maximum cabin differential pressure (maximum relief valve setting) combined with the critical external aerodynamic pressure with critical temperature effects included.

(a) For windshield and window panel failures obvious to the flightcrew, the test pressure may be reduced after initial critical pane failure to account for crew action defined in the flight manual procedures. The failed windshield or window panel should withstand this reduced pressure for the period of time that would be required to complete the flight.

(b) For windshield and window panel failures, which would not be obvious to a flightcrew, the test pressure should be held for a time sufficient to account for the remaining period of flight. During the period of time when the test pressure is held, the effects of creep (if creep could occur) should be considered.

(3) Check the fail-safe stresses in all intact structural plies determined in 7c(2) to ensure that they do not exceed the material allowables developed to account for material production variability, material characteristics, long term degradation, and environmental effects.

(4) In lieu of 7c(3) above, to account for material production variability, material characteristics, long term degradation, and environmental effects, additional fail-safe testing of the windshield and window panel to loads above the fail-safe loads following the procedures defined in 7c(2) above should be conducted. In lieu of a rational analysis substantiating the degree of increased loading, a

CS-25 BOOK 2

factor may be used, as shown in the table below. The factored loads should be applied after the failure of the critical ply. A separate test fixture may be needed to preclude loading the airframe above ultimate capability. The panel tested in 7c(2) may be used for this test.

(5) Load Factors (applied after the failure of the critical ply):

Material	Factor
Glass	2.0
Stretched Acrylic	2.0
Cast Acrylic	4.0
Polycarbonate	4.0

(6) Other single failures in the installation or the associated systems as they affect the transparency should also be addressed. Such failures include broken fasteners, cracked mounting components, and malfunctions in windshield heat systems.

AMC 25.783
Fuselage Doors

1. PURPOSE.

This Acceptable Means of Compliance, which is similar to the FAA Advisory Circular AC 25.783-1A describes an acceptable means for showing compliance with the requirements of CS-25 dealing with the certification of fuselage external doors and hatches.

The means of compliance described in this document is intended to provide guidance to supplement the engineering and operational judgement that must form the basis of any compliance findings relative to the structural and functional safety standards for doors and their operating systems

This document describes an acceptable means, but not the only means, for demonstrating compliance with the requirements. Terms such as “shall” and “must” are used only in the sense of ensuring applicability of this particular method of compliance when the acceptable method of compliance described in this document is used.

2. RELATED CS PARAGRAPHS.

The contents of this AMC are considered by the EASA in determining compliance of doors with the safety requirements of CS 25.783. Other related paragraphs are:

CS 25.571, “Damage-tolerance and fatigue evaluation of structure”

CS 25.607, “Fasteners”

CS 25.703, “Take-off warning system”

CS 25.809, “Emergency exit arrangement”

3. DEFINITIONS OF TERMS.

Inconsistent or inaccurate use of terms may lead to the installation of doors and hatches that do not fully meet the safety objectives of the regulations. To ensure that such installations fully comply with the regulations, the following definitions should be used when showing compliance with CS 25.783:

- a. “*Closed*” means that the door has been placed within the door frame in such a position that the latches can be operated to the “latched” condition. “*Fully closed*” means that the door is placed within the door frame in the position it will occupy when the latches are in the latched condition.
- b. “*Door*” includes all doors, hatches, openable windows, access panels, covers, etc. on the exterior of the fuselage which do not require the use of tools to open or close. This also includes each door or hatch through a pressure bulkhead including any bulkhead that is specifically designed to function as a secondary bulkhead under the prescribed failure conditions of CS-25.
- c. “*Door operator’s station*” means the location(s) where the door closing, latching and locking operations are performed.

CS-25 BOOK 2

- d. *“Emergency exit”* is an exit designated for use in an emergency evacuation.
- e. *“Exit”* is a door designed to allow egress from the aeroplane.
- f. *“Flight”* refers to that period of time from start of the take-off roll until the aeroplane comes to rest after landing.
- g. *“Inadvertent action by persons”* means an act committed without forethought, consideration or consultation.
- h. *“Initial inward opening movement”*. In order for a door design to be classified as having inward initial opening movement the design of its stops, guides and rollers and associated mechanism, should be such that positive pressurisation of the fuselage acting on the mean pressure plane of the fully closed door must always ensure a positive door closure force. (See AMC 25.783 Paragraph 5, (d) (4)).
- i. *“Initial opening movement,”* refers to that door movement caused by operation of a handle or other door control mechanism, which is required to place the door in a position free of structure that would interfere with continued opening of the door.
- j. *“Inward”* means having a directional component of movement that is inward with respect to the mean (pressure) plane of the body cut-out.
- k. *“Latched”* means the latches are engaged with their structural counterparts and held in position by the latch operating mechanism.
- l. *“Latches”* are movable mechanical elements that, when engaged, prevent the door from opening.
- m. *“Latching system”* means the latch operating system and the latches.
- n. *“Locked”* means the locks are engaged and held in position by the lock operating mechanism.
- o. *“Locking system”* means the lock operating system and the locks.
- p. *“Locks”* are mechanical elements in addition to the latch operating mechanism that monitor the latch positions, and when engaged, prevent latches from becoming disengaged.
- q. *“Stops”* are fixed structural elements on the door and door frame that, when in contact with each other, limit the directions in which the door is free to move.

4. BACKGROUND.

4.1 History of incidents and accidents.

There is a history of incidents and accidents in which doors, fitted in pressurised aeroplanes, have opened during pressurised and unpressurised flight. Some of these inadvertent openings have resulted in fatal crashes. After one fatal accident that occurred in 1974, the FAA and industry representatives formed a design review team to examine the current regulatory requirements for doors to determine if those regulations were adequate to ensure safety. The team’s review and eventual recommendations led to the FAA issuing Amendment 25-54 to 14 CFR part 25 in 1980, that was adopted by the JAA in JAR-25 Change 10 in 1983, which significantly improved the safety standards for doors installed on large aeroplanes. Included as part of JAR-25 Change 10 (Amendment 25-54) was JAR 25.783, “Doors,” which provides the airworthiness standards for doors installed on large aeroplanes.

Although there have been additional minor revisions to JAR 25.783 subsequent to the issuance of Change 10 (Amendment 25-54), the safety standards for doors have remained essentially the same since 1980.

4.2 Continuing safety problems.

In spite of the improved standards brought about in 1980, there have continued to be safety problems, especially with regard to cargo doors. Cargo doors are often operated by persons having little formal instruction in their operation. Sometimes the operator is required to carry out several actions in sequence to complete the door opening and closing operations. Failure to complete all sequences during closure can have serious consequences. Service history shows that several incidents of doors opening during flight have been attributed to the failure of the operator to complete the door closure and locking sequence. Other incidents have been attributable to incorrect adjustment of the door mechanism, or failure of a vital part.

CS-25 BOOK 2

4.3 Indication to the flight crew.

Experience also has shown that, in some cases, the flight deck indication system has not been reliable. In other instances, the door indication system was verified to be indicating correctly, but the flight crew, for unknown reasons, was not alerted to the unsafe condition. A reliable indication of door status on the flight deck is particularly important on aeroplanes used in operations where the flight crew does not have an independent means readily available to verify that the doors are properly secured.

4.4 Large cargo doors as basic airframe structure.

On some aeroplanes, large cargo doors form part of the basic fuselage structure, so that, unless the door is properly closed and latched, the basic airframe structure is unable to carry the design aerodynamic and inertial loads. Large cargo doors also have the potential for creating control problems when an open door acts as an aerodynamic surface. In such cases, failure to secure the door properly could have catastrophic results, even when the aeroplane is unpressurised.

4.5 NTSB (USA) recommendations.

After two accidents occurred in 1989 due to the failure of cargo doors on transport category aeroplanes, the FAA chartered the Air Transport Association (ATA) of America to study the door design and operational issues again for the purpose of recommending improvements. The ATA concluded its study in 1991 and made recommendations to the FAA for improving the design standards of doors. Those recommendations together with additional recommendations from the National Transportation Safety Board (NTSB) were considered in the development of improved standards for doors adopted by Amendment 25-114.

5. DISCUSSION OF THE CURRENT REQUIREMENTS.

Service history has shown that to prevent doors from becoming a hazard by opening in flight, it is necessary to provide multiple layers of protection against failures, malfunctions, and human error. Paragraph 25.783 addresses these multiple layers of protection by requiring:

- a latching system;
- a locking system;
- indication systems;
- a pressure prevention means.

These features provide a high degree of tolerance to failures, malfunctions, and human error. Paragraph CS 25.783 intends that the latching system be designed so that it is inherently or specifically restrained from being back-driven from the latches; but even so, the latches are designed to eliminate, as much as possible, all forces from the latch side that would tend to unlatch the latches. In addition to these features that prevent the latches from inadvertently opening, a separate locking system is required for doors that could be a hazard if they become unlatched. Notwithstanding these safety features, it could still be possible for the door operator to make errors in closing the door, or for mechanical failures to occur during or after closing; therefore, an indicating system is required that will signal to the flight crew if the door is not fully closed, latched, and locked. However, since it is still possible for the indication to be missed or unheeded, a separate system is required that prevents pressurisation of the aeroplane to an unsafe level if the door is not fully closed, latched, and locked.

The following material restates the requirements of CS 25.783 *in italicised text* and, immediately following, provides a discussion of acceptable compliance criteria.

CS 25.783(a) *General Design Considerations*

This paragraph applies to fuselage doors, which includes all doors, hatches, openable windows, access panels, covers, etc., on the exterior of the fuselage that do not require the use of tools to open or close. This also applies to each door or hatch through a pressure bulkhead, including any bulkhead that is specifically designed to function as a secondary bulkhead under the prescribed failure conditions of CS-25. These doors must meet the requirements of this paragraph, taking into account both pressurised and

CS-25 BOOK 2

unpressurised flight, and must be designed as follows:

(a)(1) Each door must have means to safeguard against opening in flight as a result of mechanical failure, or failure of any single structural element.

Failures that should be considered when safeguarding the door against opening as a result of mechanical failure or failure of any single structural element include those caused by:

- wear;
- excessive backlash;
- excessive friction;
- jamming;
- incorrect assembly;
- incorrect adjustment;
- parts becoming loose, disconnected, or unfastened;
- parts breaking, fracturing, bending or flexing beyond the extent intended.

(a)(2) Each door that could be a hazard if it unlatches must be designed so that unlatching during pressurised and unpressurised flight from the fully closed, latched, and locked condition is extremely improbable. This must be shown by safety analysis .

All doors should incorporate features in the latching mechanism that provide a positive means to prevent the door from opening as a result of such things as:

- vibrations;
- structural loads and deflections;
- positive and negative pressure loads, positive and negative 'g' loads;
- aerodynamic loads etc.

The means should be effective throughout the approved operating envelope of the aeroplane including the unpressurised portions of flight.

The safety assessment required by this regulation may be a qualitative or quantitative analysis, or a combination as appropriate to the design. In evaluating a failure condition that results in total failure or inadvertent opening of the door, all contributing events should be considered, including:

- failure of the door and door supporting structure;
- flexibility in structures and linkages;
- failure of the operating system;
- erroneous signals from the door indication systems;
- likely errors in operating and maintaining the door.

(a)(3) Each element of each door operating system must be designed or, where impracticable, distinctively and permanently marked, to minimise the probability of incorrect assembly and adjustment that could result in a malfunction.

Experience has shown that the level of protection against mechanical failure can be significantly improved by careful attention to detail design. The following points should therefore be taken into account:

- (a) To minimise the risk of incorrect assembly and adjustment, parts should be designed to prevent incorrect assembly if, as a result of such incorrect assembly, door functioning would be adversely affected. "Adverse effects" could be such things as preventing or impeding the opening of the door during an emergency, or reducing the capability of the door to remain closed. If such designs are

CS-25 BOOK 2

impracticable and marking is used instead, the marking should remain clearly identifiable during service. In this respect, markings could be made using material such as permanent ink, provided it is resistant to typical solvents, lubricants, and other materials used in normal maintenance operations.

- (b) To minimise the risk of the door operating mechanism being incorrectly adjusted in service, adjustment points that are intended for “in-service” use only should be clearly identified, and limited to a minimum number consistent with adequate adjustment capability. Any points provided solely to facilitate adjustment at the initial build and not intended for subsequent use, should be made non-adjustable after initial build, or should be highlighted in the maintenance manual as a part of the door mechanism that is not intended to be adjusted.

(a)(4) All sources of power that could initiate unlocking or unlatching of each door must be automatically isolated from the latching and locking systems prior to flight and it must not be possible to restore power to them during flight.

For doors that use electrical, hydraulic, or pneumatic power to initiate unlocking or unlatching, those power sources must be automatically isolated from the latching and locking systems before flight, and it should not be possible to restore power to them during flight. It is particularly important for doors with powered latches or locks to have all power removed that could power these systems or that could energise control circuits to these systems in the event of electrical short circuits. This does not include power to the door indicating system, auxiliary securing devices if installed, or other systems not related to door operation. Power to those systems should not be sufficient to cause unlocking or unlatching unless each failure condition that could result in energising the latching and locking systems is extremely improbable.

(a)(5) Each removable bolt, screw, nut, pin, or other removable fastener must meet the locking requirements of CS 25.607. [Fasteners]

Refer to AMC 25.607 for guidance on complying with CS 25.607.

(a)(6) Certain fuselage doors, as specified by 25.807(h), must also meet the applicable requirements of CS 25.809 through 25.812 for emergency exits.

CS 25.783(b) Opening by persons

There must be means to safeguard each door against opening during flight due to inadvertent action by persons.

The door should have inherent design features that achieve this objective. It is not considered acceptable to rely solely on cabin pressure to prevent inadvertent opening of doors during flight, because there have been instances where doors have opened during unpressurised flight, such as during landing. Therefore all doors should incorporate features to prevent the door from being opened inadvertently by persons on board.

In addition, for each door that could be a hazard, design precautions must be taken to minimise the possibility for a person to open a door intentionally during flight. If these precautions include the use of auxiliary devices, those devices and their controlling systems must be designed so that:

- (1) no single failure will prevent more than one exit from being opened, and
- (2) failures that would prevent opening of any exit after landing must not be more probable than remote.

The intentional opening of a door by persons on board while the aeroplane is in flight should be considered. This rule is intended to protect the aircraft and passengers but not necessarily the person who intentionally tries to open the door. Suitable design precautions should therefore be taken; however, the precautions should not compromise the ability to open an emergency exit in an emergency evacuation. The following precautions should be considered:

CS-25 BOOK 2

- (a) For doors in pressurised compartments: it should not normally be possible to open the door when the compartment differential pressure is above 13.8 kPa (2 psi). The ability to open the door will depend on the door operating mechanism and the handle design, location and operating force. Operating forces in excess of 136 kg (300 pounds) should be considered sufficient to prevent the door from being opened. During approach, take-off and landing when the compartment differential pressure is lower, it is recognised that intentional opening may be possible; however, these phases are brief and all passengers are expected to be seated with seat belts fastened. Nevertheless flight experience has shown that cabin staff may cycle door handles during take-off in an attempt to ensure that the door is closed, resulting in door openings in flight. For hazardous doors CS 25.783(e)(2) intends to provide a positive means to indicate to the door operator after closure of the door on the ground, that the door is not properly closed, latched and locked. CS 25.783(e)(2) will minimise, but can not prevent the deliberate cycling of the door handle by the cabin staff during take-off.
- (b) For doors that cannot meet the guidance of (a) above, and for doors in non-pressurised aeroplanes: The use of auxiliary devices (for example, a speed-activated or barometrically-activated means) to safeguard the door from opening in flight should be considered. The need for such auxiliary devices should depend upon the consequences to the aeroplane and other occupants if the door is opened in flight.
- (c) Auxiliary devices installed on emergency exits: The failure of an auxiliary device should normally result in an unsecured position of the device. Failures of an auxiliary device that would prevent opening of the exit after landing should not be more probable than Remote (1×10^{-5} /flight hour). Where auxiliary devices are controlled by a central system or other more complex systems, a single failure criterion for opening may not be sufficient. The criteria for failure of the auxiliary device to open after landing should include consideration of single failures and all failure conditions that are more probable than remote. In the assessment of single failures, no credit should be given to dormant functions.

The opening of exits on the ground should also be considered in the design, relative to the effects of differential pressure. While it is desirable and required to be able to open exits under normal residual differential pressure, opening of the exit with significant differential pressure can be a hazard to the person opening the exit. Clearly, emergency conditions may dictate that the exit be opened regardless of the differential pressure. Devices that restrict opening of the door, or affect the pressurization system, can have failure modes that create other safety concerns. However, the manufacturer should consider this issue in the design of the door and provide warnings where necessary, if it is possible to open a door under differential pressure that may be hazardous to the exit operator.

[Amdt. No.: 25/8]

[Amdt. No.: 25/11]

CS 25.783(c) Pressurisation prevention means

There must be a provision to prevent pressurisation of the aeroplane to an unsafe level if any door subject to pressurisation is not fully closed, latched, and locked.

(c)(1) The provision must be designed to function after any single failure, or after any combination of failures not shown to be extremely improbable.

- (a) The provisions for preventing pressurisation must monitor the closed, latched and locked condition of the door. If more than one lock system is used, each lock system must be monitored. Examples of such provisions are vent panels and pressurisation inhibiting circuits. Pressurisation to an unsafe level is considered to be prevented when the pressure is kept below 3.447 kPa (1/2 psi). These systems are not intended to function to depressurise the aeroplane once the fully closed latched and locked condition is established and pressurisation is initiated.

CS-25 BOOK 2

- (b) If a vent panel is used, it should be designed so that, in normal operation or with a single failure in the operating linkage, the vent panel cannot be closed until the door is latched and locked. The vent panel linkage should monitor the locked condition of each door lock system.
- (c) If automatic control of the cabin pressurisation system is used as a means to prevent pressurisation, the control system should monitor each lock. Because inadvertent depressurisation at altitude can be hazardous to the occupants, this control system should be considered in showing compliance with the applicable pressurisation system reliability requirements. Normally, such systems should be automatically disconnected from the aeroplane's pressurisation system after the aeroplane is airborne, provided no prior unsafe condition was detected.
- (d) It should not be possible to override the pressurisation prevention system unless a procedure is defined in the Master Minimum Equipment List (MMEL) that confirms a fully closed, latched and locked condition. In order to prevent the override procedure from becoming routine, the override condition should not be achievable by actions solely on the flight deck and should be automatically reset at each door operational cycle.

(c)(2) Doors that meet the conditions described in sub-paragraph (h) of this paragraph are not required to have a dedicated pressurisation prevention means if, from every possible position of the door, it will remain open to the extent that it prevents pressurisation or safely close and latch as pressurisation takes place. This must also be shown with any single failure and malfunction except that:

- (i) with failures or malfunctions in the latching mechanism, it need not latch after closing, and*
- (ii) with jamming as a result of mechanical failure or blocking debris, the door need not close and latch if it can be shown that the pressurisation loads on the jammed door or mechanism would not result in an unsafe condition.*

As specified in CS 25.783(d)(7), each door for which unlatching would not result in a hazard is not required to have a locking mechanism; those doors also may not be required to have a dedicated pressurisation prevention means. However, this should be determined by demonstrating that an unsafe level of pressurisation cannot be achieved for each position that the door may take during closure, including those positions that may result from single failures or jams.

- Excluding jamming and excluding failures and malfunctions in the latching system, for every possible position of the door, it must either remain open to the extent that it prevents pressurisation, or safely close and latch as pressurisation takes place;
- With single failures of the latching system or malfunctions in the latching system the door may not necessarily be capable of latching, but it should either remain open to the extent that it prevents pressurisation, or safely move to the closed position as pressurisation takes place; and
- With jamming as a result of mechanical failure in the latching system or blocking debris, the pressurisation loads on the jammed door or mechanism may not result in damage to the door or airframe that could be detrimental to safe flight (both the immediate flight or future flights). In this regard, consideration should be given to jams or non-frangible debris that could hold the door open just enough to still allow pressurisation, and then break loose in flight after full pressurisation is reached.

CS 25.783(d) Latching and locking

The latching and locking mechanisms must be designed as follows:

(d)(1) There must be a provision to latch each door.

- (a) The definitions of latches and locks are redefined in Chapter 3 [Definitions of Terms], particularly in regard to mechanical and structural elements of inward-opening plug doors. In this regard, fixed stops are not considered latches. The movable elements that hold the door in position relative to the fixed stops are considered latches. These movable elements prevent the door from opening and will support some loads in certain flight conditions, particularly when the aeroplane is unpressurised.

CS-25 BOOK 2

- (b) For all doors, sub-paragraph 25.783(d)(2) requires that the latching system employ a securing means other than the locking system. The separate locking system may not be necessary for certain doors with an initial inward movement (see CS 25.783(d)(4)).

(d)(2) The latches and their operating mechanism must be designed so that, under all aeroplane flight and ground loading conditions, with the door latched, there is no force or torque tending to unlatch the latches. In addition, the latching system must include a means to secure the latches in the latched position. This means must be independent of the locking system.

The latches of doors for which the initial opening movement is outward are typically subject to vibrations; structural loads and deflections; positive and negative pressure loads; positive and negative 'g' loads; aerodynamic loads; etc. The latches of doors for which the initial opening movement is inward typically share some of these same types of loads with fixed stops. Doors for which the initial opening movement is inward tend to be resistant to opening when the aircraft is pressurised since a component of the pressure load tends to hold the door closed.

- (a) Latch design. The design of the latch should be such that with the latch disconnected from its operating mechanism, the net reaction forces on the latch should not tend to unlatch the latch during both pressurised and unpressurised flight throughout the approved flight envelope. The effects of possible friction in resisting the forces on the latch should be ignored when considering reaction forces tending to unlatch the door. The effects of distortion of the latch and corresponding structural attachments should be taken into account in this determination. Any latch element for which 'g' loads could result in an unlatching force should be designed to minimise such forces.
- (b) Latch securing means. Even though the principal back-driving forces should be eliminated by design, it is recognised that there may still be ratcheting forces that could progressively move the latches to the unlatched position. Therefore, each latch should be positively secured in the latched position by its operating mechanism, which should be effective throughout the approved flight envelope. The location of the operating system securing means will depend on the rigidity of the system and the tendency for any forces (such as ratcheting, etc.) at one latch to unlatch other latches.
- (c) Over-centre features in the latching mechanism are considered to be an acceptable securing means, provided that an effective retaining feature that functions automatically to prevent back-driving is incorporated. If the design of the latch is such that it could be subject to ratcheting loads which might tend to unlatch it, the securing means should be adequate to resist such loads.
- (d) Back-driving effect of switches. In those designs that use the latch to operate an electrical switch, any back-driving effect of the switch on the latch is permissible, provided that the extent of any possible movement of the switch
- is insufficient to unlatch it; and
 - will not result in the latch being subjected to any other force or torque tending to unlatch it.
- (e) The latch securing means must be independent of the locking means. However, the latching and locking functions may be fulfilled by a single operating means, provided that it is not possible to back-drive the locks via the latch mechanism when the door locks are engaged with the latch mechanism.

(d)(3) Each door subject to pressurisation, and for which the initial opening movement is not inward must:

- (i) have an individual lock for each latch;*
- (ii) have the lock located as close as practicable to the latch; and*
- (iii) be designed so that during pressurised flight, no single failure in the locking system would prevent the locks from restraining the latches necessary to secure the door.*

CS-25 BOOK 2

- (a) To safeguard doors subject to pressurisation and for which the initial opening movement is not inward, each latch must have an individual lock. The lock should directly lock the latch. In this regard, the lock should be located directly at the latch to ensure that, in the event of a single failure in the latch operating mechanism, the lock would continue to restrain the latch in the latched position. Even in those cases where the lock cannot be located directly at the latch, the same objective should be achieved. In some cases, a pair of integrally-connected latches may be treated as a single latch with respect to the requirement for a lock provided that:
- 1) the lock reliably monitors the position of at least one of the load carrying elements of the latch, and
 - 2) with any one latch element missing, the aeroplane can meet the full requirements of CS-25 as they apply to the unfailed aeroplane, and
 - 3) with the pair disengaged, the aeroplane can achieve safe flight and landing, and meet the damage tolerance requirements of CS 25.571[Damage-tolerance and fatigue evaluation of structure].
- (b) In some designs more latches are provided than necessary to meet the minimum design requirements. The single failure requirement for the locking system is intended to ensure that the number and combination of latches necessary to secure the door will remain restrained by the locking mechanism. Only those latches needed to meet the minimum design requirements need to remain restrained after the single failure.
- (c) In meeting this requirement, the indirect locking provided through the latch system by the locks at other latches may be considered. In this case, the locking system and the latching system between the locked latch and the unlocked latch should be designed to withstand the maximum design loads discussed in sub-paragraph d.(6) of this AMC, below, as appropriate to pressurised flight.

(d)(4) Each door for which the initial opening movement is inward, and unlatching of the door could result in a hazard, must have a locking means to prevent the latches from becoming disengaged. The locking means must ensure sufficient latching to prevent opening of the door even with a single failure of the latching mechanism.

For a door to be classified as having Initial Inward Opening Movement before opening outwards, and thus be eligible for some relief regarding the locks compared with other outward opening doors, the following conditions should be fulfilled:

- a) Loads on the door resulting from positive pressure differential of the fuselage should be reacted by fixed (non moveable) structural stops on the door and fuselage doorframe.
- b) The stops must be designed so that, under all 1g aeroplane level flight conditions, the door to fuselage stop interfaces produce no net force tending to move the door in the opening direction.
- c) If the stops are used to provide the initial inward opening movement, the stops should be designed such that they cause the door to move inwards, typically at a minimum angle of 3° relative to the mean pressure plane, opposing any positive fuselage pressure differential:
 - 1) until the door is in a position where it is clear of the fixed stops and is free to open, or
 - 2) until the loads required to overcome friction between the door and fuselage stops are sufficient to prevent the door moving in an opening direction when the door is subjected to loads of +/- 0.5g, or
 - 3) if neither of the above options are appropriate, based on justified engineering judgement and agreed with the Agency.
- d) If guides or other mechanisms are used to position the door such that it can move clear of the fixed stops in an opening direction, the means used should, be designed such that it causes the door to move inwards, typically at a minimum angle of 3° relative to the mean pressure plane, opposing any positive fuselage pressure differential and be sufficiently robust to function without

CS-25 BOOK 2

significant loss of effectiveness when the door is subject to a differential pressure of 13.8 kPa (2 psi):

- 1) until the door is in a position where it is clear of the fixed stops and is free to open, or
- 2) until the loads required to overcome friction are sufficient to prevent the door moving in an opening direction when the door is subjected to loads of +/- 0.5g, or
- 3) if neither of the above options are appropriate, based on justified engineering judgement and agreed with the Agency.

On these doors, the locking means should monitor the latch securing means, but need not directly monitor and lock each latch. Additionally, the locking means could be located such that all latches are locked by locking the latching mechanism. With any single failure in the latching mechanism, the means must still lock a sufficient number of latches to ensure that the door remains safely latched.

(d)(5) It must not be possible to position the lock in the locked position if the latch and the latching mechanism are not in the latched position.

The lock should be an effective monitor of the position of the latch such that, if any latch is unlatched, the complete locking system cannot be moved to the locked position. Although an over-centre feature may be an adequate means of securing the latching mechanism, it is not considered to be the locking means for the latches.

(d)(6) It must not be possible to unlatch the latches with the locks in the locked position. Locks must be designed to withstand the limit loads resulting from:

- (i) the maximum operator effort when the latches are operated manually;*
- (ii) the powered latch actuators, if installed; and*
- (iii) the relative motion between the latch and the structural counterpart.*

Although the locks are not the primary means of keeping the latches engaged, they must have sufficient strength to withstand any loads likely to be imposed during all approved modes of door operation. The operating handle loads on manually-operated doors should be based on a rational human factors evaluation. However, the application of forces on the handle in excess of 136 kg (300 pounds) need not be considered. The loads imposed by the normal powered latch actuators are generally predictable; however, loads imposed by alternate drive systems are not. For this reason the locks should have sufficient strength to react the stall forces of the latch drive system. Load-limiting devices should be installed in any alternate drive system for the latches in order to protect the latches and the locks from overload conditions. If the design of the latch is such that it could be subject to ratcheting loads which might tend to unlatch it, the locks should be adequate to resist such loads with the latch operating system disconnected from the latch.

(d)(7) Each door for which unlatching would not result in a hazard is not required to have a locking mechanism meeting the requirements of sub-paragraph (d)(3) through (d)(6) of this paragraph.

See sub-paragraph CS 25.783(h) of this AMC, below, for a description of doors for which unlatching is considered not to result in a safety hazard.

(d)(8) A door that could result in a hazard if not closed, must have means to prevent the latches from being moved to the latched position unless it can be shown that a door that is not closed would be clearly evident before flight.

For door security, it is good basic design philosophy to provide independent integrity in the closing, latching, locking and indication functions. The integrity of the closing function in particular is vulnerable to

CS-25 BOOK 2

human factors and experience has shown that human error can occur resulting in an unsafe condition.

Door designs should incorporate a feature that prevents the latches from moving to the latched position if the door is not closed. The importance of such a feature is that it prevents the latched and locked functions from being completed when the door is not closed.

If the feature is provided by electronic means, the probability of failure to prevent the initiation of the latching sequence should be no greater than remote (1×10^{-5} /flight hour).

To avoid the potential for an unsafe condition, the means provided to indicate the closed position of the door under sub-paragraph (e) should be totally independent of the feature preventing initiation of the latching sequence.

As an alternative to providing the feature described above, reliance can be placed on trained cabin crew or flight crew members to determine that certain doors are not fully closed. This alternative is applicable only to doors that are normally operated by these crew members, and where it is visually clearly evident from within the aircraft without detailed inspection under all operational lighting conditions that the door is not fully closed.

CS 25.783(e) Warning, caution and advisory indications

Doors must be provided with the following indications:

(e)(1) There must be a positive means to indicate at each door operator's station that all required operations to close, latch, and lock the door(s) have been completed.

In order to minimise the probability of incomplete door operations, it should be possible to perform all operations for each door at one station. If there is more than one operator's station for a single door, appropriate indications should be provided at each station. The positive means to indicate at the door operator's station that all required operations have been completed are such things as final handle positions or indicating lights. This requirement is not intended to preclude or require a single station for multiple doors.

(e)(2) There must be a positive means, clearly visible from each operator station for each door that could be a hazard if unlatched, to indicate if the door is not fully closed, latched, and locked.

A single indication that directly monitors the door in the closed, latched and locked conditions should be provided unless the door operator has a visual indication that the door is fully closed latched and locked. This indication should be obvious to the door operator. For example, a vent door or indicator light that monitors the door locks and is located at the operator's station may be sufficient. In case of an indicator light, it should not be less reliable than the visual means in the cockpit as required per CS 25.783(e)(3). The same sensors could be used for both indications in order to prevent any discrepancy between the indications.

(e)(3) There must be a visual means on the flight deck to signal the pilots if any door is not fully closed, latched, and locked. The means must be designed such that any failure or combination of failures that would result in an erroneous closed, latched, and locked indication is remote for:

- (i) each door that is subject to pressurisation and for which the initial opening movement is not inward, or*
- (ii) each door that could be a hazard if unlatched.*

The visual means may be a simple amber light or it may need to be a red warning light tied to the master warning system depending on the criticality of the door. The door closed, latched and locked functions must be monitored, but only one indicator is needed to signal that the door is in the closed,

CS-25 BOOK 2

latched and locked condition. Indications should be reliable to ensure they remain credible. The probability of erroneous closed, latched, and locked indication should be no greater than remote (1×10^{-5} /flight hour) for:

- each door subject to pressurisation and for which the initial opening movement is not inward; and for
- each door that could be a hazard if unlatched.

(e)(4) There must be an aural warning to the pilots prior to or during the initial portion of take-off roll if any door is not fully closed, latched, and locked and its opening would prevent a safe take-off and return to landing.

Where an unlatched door could open and prevent a safe take-off and return to landing, a more conspicuous aural warning is needed. It is intended that this system should function in a manner similar to the take-off configuration warning systems of CS 25.703 [Take-off Warning system]. The visual display for these doors may be either a red light or a display on the master warning system. Examples of doors requiring these aural warnings are:

- doors for which the structural integrity of the fuselage would be compromised if the door is not fully closed, latched and locked, or
- doors that, if open, would prevent rotation or interfere with controllability to an unacceptable level.

CS 25.783(f) Visual inspection provision

Each door for which unlatching could be a hazard, must have provisions for direct visual inspection to determine, without ambiguity, if the door is fully closed, latched, and locked. The provision must be permanent and discernible under operational lighting conditions or by means of a flashlight or equivalent light source.

A provision is necessary for direct visual inspection of the closed position of the door and the status of each of the latches and locks, because dispatch of an aeroplane may be permitted in some circumstances when a flight deck or other remote indication of an unsafe door remains after all door closing, latching and locking operations have been completed. Because the visual indication is used in these circumstances to determine whether to permit flight with a remote indication of an unsafe door, the visual indication should have a higher level of integrity than, and be independent of, the remote indication.

(a) The provisions should:

- 1) allow direct viewing of the position of the locking mechanism to show, without ambiguity, whether or not each latch is latched and each lock is locked. For doors which do not have a lock for each latch, direct viewing of the position of the latches and restraining mechanism may be necessary for determining that all the latches are latched. Indirect viewing, such as by optical devices or indicator flags, may be acceptable provided that there is no failure mode that could allow a false latched or locked indication.
- 2) preclude false indication of the status of the latches and locks as a result of changes in the viewing angle. The status should be obvious without the need for any deductive processes by the person making the assessment.
- 3) be of a robust design so that, following correct rigging, no unscheduled adjustment is required. Furthermore, the design should be resistant to unauthorised adjustment.
- 4) preclude mis-assembly that could result in a false latched and locked indication.

(b) If markings are used to assist the identification of the status of the latches and locks, such markings must include permanent physical features to ensure that the markings will remain accurately positioned.

CS-25 BOOK 2

- (c) Although the visual means should be unambiguous in itself, placards and instructions may be necessary to interpret the status of the latches and locks.
- (d) If optical devices or windows are used to view the latches and locks, it should be demonstrated that they provide a clear view and are not subject to fogging, obstruction from dislodged material or giving a false indication of the position of each latch and lock. Such optical devices and window materials should be resistant to scratching, crazing and any other damage from all materials and fluids commonly used in the operation and cleaning of aeroplanes.

CS 25.783(g) Certain maintenance doors, removable emergency exits, and access panels

Some doors not normally opened except for maintenance purposes or emergency evacuation and some access panels need not comply with certain sub-paragraphs of this paragraph as follows:

- (1) Access panels that are not subject to cabin pressurisation and would not be a hazard if open during flight need not comply with sub-paragraphs (a) through (f) of this paragraph, but must have a means to prevent inadvertent opening during flight.*
- (2) Inward-opening removable emergency exits that are not normally removed, except for maintenance purposes or emergency evacuation, and flight deck-openable windows need not comply with sub-paragraphs (c) and (f) of this paragraph.*
- (3) Maintenance doors that meet the conditions of sub-paragraph (h) of this paragraph, and for which a placard is provided limiting use to maintenance access, need not comply with sub-paragraphs (c) and (f) of this paragraph.*

Some doors not normally opened except for maintenance purposes or emergency evacuation and some access panels are not required to comply with certain sub-paragraphs of CS 25.783 as described in CS 25.783(g). This generally pertains to access panels outside pressurised compartments whose opening is of little or no consequence to safety and doors that are not used in normal operation and so are less subject to human errors or operational damage.

CS 25.783(h) Doors that are not a hazard

For the purpose of this paragraph, a door is considered not to be a hazard in the unlatched condition during flight, provided it can be shown to meet all of the conditions as mentioned in CS 25.783(h).

CS 25.783 recognises four categories of doors:

- Doors for which the initial opening is not inward, and are presumed to be hazardous if they become unlatched.
- Doors for which the initial opening is inward, and could be a hazard if they become unlatched.
- Doors for which the initial opening is inward, and would not be a hazard if they become unlatched.
- Small access panels outside pressurised compartments for which opening is of little or no consequence to safety.

CS 25.783(h) describes those attributes that are essential before a door in the normal (unfailed) condition can be considered not to be a hazard during flight.

6. STRUCTURAL REQUIREMENTS.

In accordance with CS 25.571, the door structure, including its mechanical features (such as hinges, stops, and latches), that can be subjected to airframe loading conditions, should be designed to be damage tolerant. In assessing the extent of damage under CS 25.571 and CS 25.783 consideration should be given to single element failures in the primary door structure, such as frames, stringers, intercostals, latches, hinges, stops and stop supports.

The skin panels on doors should be designed to be damage tolerant with a high probability of detecting any crack before the crack causes door failure or cabin decompression.

CS-25 BOOK 2

Note: This paragraph applies only to aircraft with a certification basis including CS 25.571 or equivalent requirements for damage tolerance.

[Amdt. No.: 25/4]

[Amdt. No.: 25/6]

AMC 25.785(d)
Seats and Safety Belts

1 Sharp edges or excrescences on the seats or parts of the passenger accommodation which might prove a source of danger not only to the occupants of the seats but particularly to the occupant seated to the rear should be avoided. All surfaces of passenger accommodation and those areas of the seat back lying within the arc of travel of the head of an occupant seated to the rear and restrained by a safety belt should be smooth and of large radius.

2 The radius of the arc of travel, representing the extremity of the occupant's head, should be taken as 71 cm (28 in). This allows for tall occupants and stretch in the safety belt. The centre of the radius of the arc of travel should be taken as 46 cm (18 in) forward and upward of the junction of the seat back and bottom at 35° to the latter (see Figure 1).

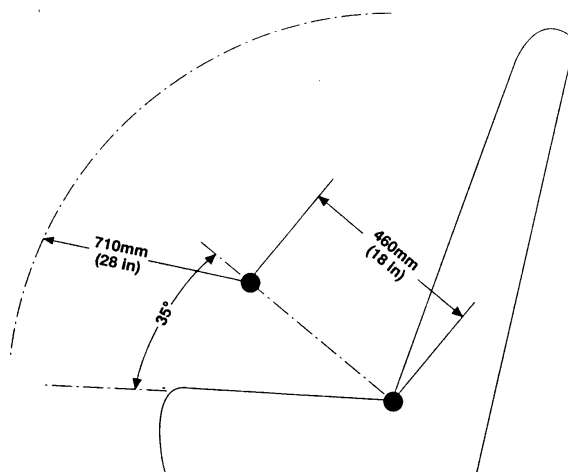


FIGURE 1

3 If the top of the seat back occurs within the arc of travel of the head, it should be padded to at least 25 mm (1 in) radius with at least 12.5 mm (0.5 in) of firm padding.

4 Any other substantially horizontal members occurring within the areas defined by paragraph 2 should either be padded as recommended in paragraph 3 or should be so arranged that the head will be deflected past them rather than strike them a direct blow. The tops of vertical members occurring within these areas should be so protected as to be at least as safe as horizontal members. No member should occur where it might be struck by the throat.

5 Where practicable, it is recommended that seat backs should be pivoted so as to move forward under emergency landing acceleration loads so that the occupant of the seat behind only strikes a glancing blow on the seat back.

[Amdt. No.: 25/2]

[Amdt. No.: 25/11]

CS-25 BOOK 2**AMC 25.785(g)
Seats, Berths, Safety Belts and Harnesses**

Where there is a risk that a safety belt or harness might, when not in use, foul the controls or impede the crew, suitable stowage should be provided, unless it can be shown that the risk can be avoided by the application of suitable crew drills.

**AMC 25.787(b)
Stowage Compartments**

For stowage compartments in the passenger and crew compartments it must be shown by analysis and/or tests that under the load conditions as specified in CS 25.561(b)(3), the retention items such as doors, swivels, latches etc., are still performing their retention function. In the analysis and/or tests the expected wear and deterioration should be taken into account.

**AMC 25.791
Passenger information signs and placards**

Relevant part of the FAA Advisory Circular 25-17A Transport Airplane Cabin Interiors Crashworthiness Handbook, dated 05/18/09, are accepted by the Agency as providing acceptable means of compliance with CS 25.791.

Note: "relevant parts" means "the part of the AC 25-17A that addresses the applicable FAR/CS-25 paragraph".

[Amdt. No.: 25/11]

**AMC 25.795
Security considerations**

Referenced Documentation:

- FAA memorandum, Subject Information: Certification of strengthened Flight Deck Doors on Transport Category Airplanes, Original release 6 November 2001.

**AMC 25.795(a)(1)
Flightdeck intrusion resistance**

Referenced Documentation:

- Federal Aviation Administration Advisory Circular (AC) 25.795-1A, Flight deck Intrusion Resistance, issue date 24 October 2008.

**AMC 25.795(a)(2)
Flightdeck penetration resistance**

Referenced Documentation:

- Federal Aviation Administration Advisory Circular (AC) 25.795-2A, Flight deck Penetration Resistance, issue date 24 October 2008.
- Level IIIA of the (US) National Institute of Justice, Ballistic Resistance of Personal Body Armor, NIJ Standard 0101.04, Office of Science and Technology, Washington, D.C. 20531, September 2000.

**AMC 25.795(b)(1)
Flight deck smoke protection**

Referenced Documentation:

- Federal Aviation Administration Advisory Circular (AC) 25.795-3, Flight deck Protection (smoke and fumes), issue date 24 October 2008.

CS-25 BOOK 2**AMC 25.795(b)(2)****Passenger cabin smoke protection**

Referenced Documentation:

- Federal Aviation Administration Advisory Circular (AC) 25.795-4, Passenger Cabin Smoke Protection, issue date 24 October 2008.

AMC 25.795(b)(3)**Cargo compartment fire suppression**

Referenced Documentation:

- Federal Aviation Administration Advisory Circular (AC) 25.795-5, Cargo Compartment Fire Suppression, issue date 24 October 2008.

AMC 25.795(c)(1)**Least risk bomb location**

Referenced Documentation:

- Federal Aviation Administration Advisory Circular (AC) 25.795-6, Least Risk Bomb Location, issue date 24 October 2008.

AMC 25.795(c)(2)**Survivability of systems**

Referenced Documentation:

- Federal Aviation Administration Advisory Circular (AC) 25.795-7, Survivability of Systems, issue date 24 October 2008.

AMC 25.795(c)(3)**Interior design to facilitate searches**

Referenced Documentation:

- Federal Aviation Administration Advisory Circular (AC) 25.795-8, Interior design to facilitate searches, issue date 24 October 2008.

[Amdt. No.: 25/9]

AMC 25.803**Emergency evacuation**

Relevant part of the FAA Advisory Circular 25-17A Transport Airplane Cabin Interiors Crashworthiness Handbook, dated 05/18/09 and AC 25.803-1A Emergency Evacuation Demonstrations, dated 03/12/12 are accepted by the Agency as providing acceptable means of compliance with CS 25.803.

Note: "relevant parts" means "the part of the AC 25-17A that addresses the applicable FAR/CS-25 paragraph".

[Amdt. No.: 25/11]

[Amdt. No.: 25/12]

CS-25 BOOK 2**AMC 25.807
Emergency Exits**

The term 'unobstructed' should be interpreted as referring to the space between the adjacent wall(s) and/or seat(s), the seatback(s) being in the most adverse position, in vertical projection from floor-level to at least the prescribed minimum height of the exit.

Relevant part of the FAA Advisory Circular 25-17A Transport Airplane Cabin Interiors Crashworthiness Handbook, dated 05/18/09 is accepted by the Agency as providing acceptable means of compliance with CS 25.807.

Note: 'relevant parts' means 'the part of the AC 25-17A that addresses the applicable FAR/CS-25 paragraph'.

FAA Advisory Circular 25.807-1 'Uniform Distribution of Exits', dated 08/13/90 is accepted by the Agency as providing acceptable means of compliance with CS 25.807(e).

[Amdt. No.: 25/12]

**AMC 25.807(f)
Passenger Emergency Exits**

The optimum fore and aft location of Types I, II and III exits should be agreed between the applicant and the Agency bearing in mind the relevant considerations, including –

- a. The varying likelihood of damage to different parts of the fuselage in emergency landing conditions, and
- b. The need to avoid the passengers having to evacuate the aeroplane where dangerous conditions (spilt fuel, hot engine parts, etc.) may exist.

[Amdt. No.: 25/11]

[Amdt. No.: 25/12]

**AMC 25.809
Emergency exit arrangement**

The requirement to provide a view of the outside in all ambient lighting conditions suggests the use of externally mounted lighting (although other means may be acceptable). In the landing gear collapsed cases, the rolling and pitching effects on the fuselage may redirect a fixed lamp's beam away from the area illuminated in the all landing gears extended condition. Furthermore, in the case of inflatable escape slides the toe end ground contact point will probably move in the opposite direction to that of the lamp beam.

In recognition of these effects, and in order to maintain reasonable demands on the complexity and power of external lighting equipment, the rule does not require the entire viewable area to be visible in all ambient lighting conditions. The only specific illumination requirement is for the likely areas of evacuee ground contact, with all landing gears extended, for passenger exits.

However, it is recommended that as large a field of view as is practicable should be provided, taking into account aspects such as fuselage curvature and door/window/hatch location, in order to provide the best chance to identify external evacuation hazards before exits are opened.

In the case of a flight crew emergency exit, a flight deck window as conventionally configured, used in conjunction with a suitably accessible and powerful portable illumination device (e.g. flashlight) will provide an acceptable means for viewing outside conditions.

CS-25 BOOK 2

Flight deck seats, consoles etc., as conventionally configured, are not considered to be obstructions in the meaning of this term in CS 25.809(a)(2) in the case where flight deck windows are the viewing means and the exit is an overhead hatch. Furthermore, it is considered that the distance between flight deck windows, as conventionally configured, and an overhead hatch is such that the criterion for the viewing means to be adjacent to the exit is satisfied.

[Amdt. No.: 25/12]

AMC 25.809(a)(3)
Emergency exit arrangement

A subjective outside viewing test can be conducted to determine if the exterior viewing means and lighting system provide an adequate view/illumination to allow identification of possible hazards in the evacuee ground contact area. For this test, the viewing/lighting system will be deemed acceptable if an object (e.g., a traffic cone) placed in the viewing area is visible to the test witness looking through the emergency exit viewing means that is provided.

When a separate lighting system is installed that is only used to meet the requirements of CS 25.809(a), that system should be designed to meet the requirements of CS 25.812(k), for operation after having been subjected to the inertia forces listed in CS 25.561(b), and CS 25.812(l)(3), such that at least one exterior light on each side of the airplane remains operative after a single transverse separation.

[Amdt. No.: 25/12]

AMC 25.810(c)(2)
Emergency Evacuation

Acceptable methods of measurement of reflectance are given in AC20-38A and AC20-47, published by the Federal Aviation Administration.

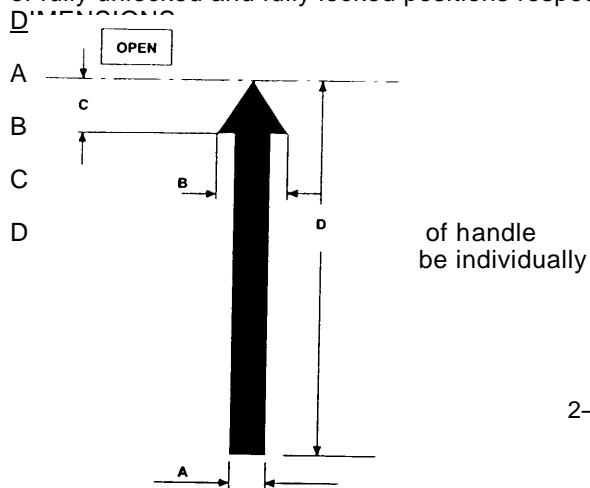
AMC 25.811(e)(4)
Emergency Exit Marking

The indicating markings for all Type II and larger passenger emergency exit unlocking handle motions should conform to the general shapes and dimensions indicated by Figures 1 and 2.

NOTE: As far as is practicable the markings should be located to avoid obscuring viewing windows located on or alongside the exits, or coincidence with any other required marking or safety feature.

EXAMPLE MARKING FOR INDICATION OF LINEAR OPENING MOTION

Where practical and unambiguous arrow point and base of arrow shaft to be within ± 25 mm (1 inch) of fully unlocked and fully locked positions respectively



2-D-77

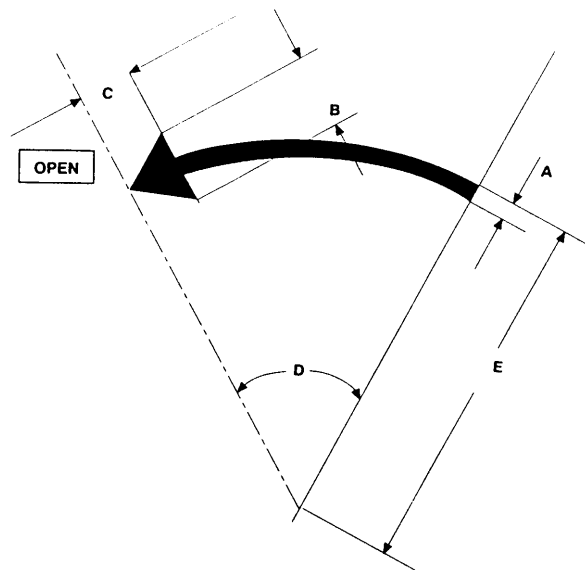
Amendment 14

CS-25 BOOK 2**FIGURE 1****EXAMPLE MARKING FOR INDICATION OF ROTARY OPENING MOTION**

Arrow point and base of arrow shaft to be within 25 mm (1 inch) of fully unlocked and fully locked positions respectively

DIMENSIONS

- A = 19 mm (0.75") minimum
 B = 2 x A
 C = B (recommended)
 D = Full extent of handle centreline travel
 E = Three quarters of handle length (where practicable)

**FIGURE 2****AMC 25.812
Emergency lighting**

Relevant parts of FAA Advisory Circular 25-17A Transport Airplane Cabin Interiors Crashworthiness Handbook, dated 05/18/09 and AC 25.812-2 Floor Proximity Emergency Escape Path Marking Systems Incorporating Photoluminescent Elements, dated 24/7/97 are accepted by the Agency as providing acceptable means of compliance with CS 25.812.

Note: "relevant parts" means "the part of the AC 25-17A that addresses the applicable FAR/CS-25 paragraph".

[Amdt. No.: 25/11]

**AMC 25.812(b)(1)
Emergency Lighting**

Two acceptable methods of demonstrating compliance with the requirement of CS 25.812(b)(1) are as follows:

A locator sign, marking sign and bulkhead or divider sign should either:

- have red letters at least 38 mm (1.5 inches) high on an illuminated white background, and should have an area of at least 135 cm² (21 square inches) excluding the letters. For locator and marking signs required by CS 25.811(d)(1) and (d)(2), the lighted background - to - letter contrast should

CS-25 BOOK 2

be at least 10:1. The letter height to stroke-width ratio should not be more than 7:1 nor less than 6:1;

or,

- be a symbolic exit sign as derived from ISO/WD 3864-3 and ISO/CD 16069 "Safety Way Guidance System" and Draft BS 5499: Part 4 "Code of Practice for Escape Route Signing".

The symbols should be white on a green background according to ISO 3864. The sign should have an area of at least 148 cm² (23 square inches) including white symbols. The lighted background-to-symbol contrast should be at least 1:10.

For the symbolic sign required by CS 25.811(d)(2) (See Figure 2), the height of the symbols should be at least 38mm (1.5 inches).

For the symbolic sign required by CS 25.811(d)(1) (See Figure 1) and for the symbolic sign required on each bulkhead or divider by CS 25.811(d)(3) (See Figure 3), the formula given in draft British Specification 5499 Part 4: "Code of practice for escape route signing", applies. The formula is as follows:

$$D = Z \cdot a_s \text{ (where } a_s \text{ and } D \text{ have the same units)}$$

↙
↓
↘

Maximum viewing distance Distance factor Overall height of the symbolic sign

The maximum viewing distance "D" can be calculated from the overall height of the symbolic sign (a_s) by using the appropriate distance factor Z obtained from Table 1 below.

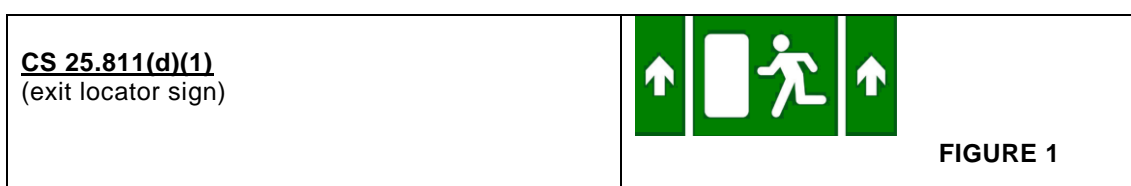
Table 1

Mean luminance of white contrast colour candela/m² (ft-L)	Distance factor Z
≥ 10 candela/m ² (2.91 ft-L)	150
≥ 30 candela/m ² (8.75 ft-L)	175
≥ 80 candela/m ² (23.35 ft-L)	200
≥ 200 candela/m ² (53.37 ft-L)	215
≥ 500 candela/m ² (145.9 ft-L)	230

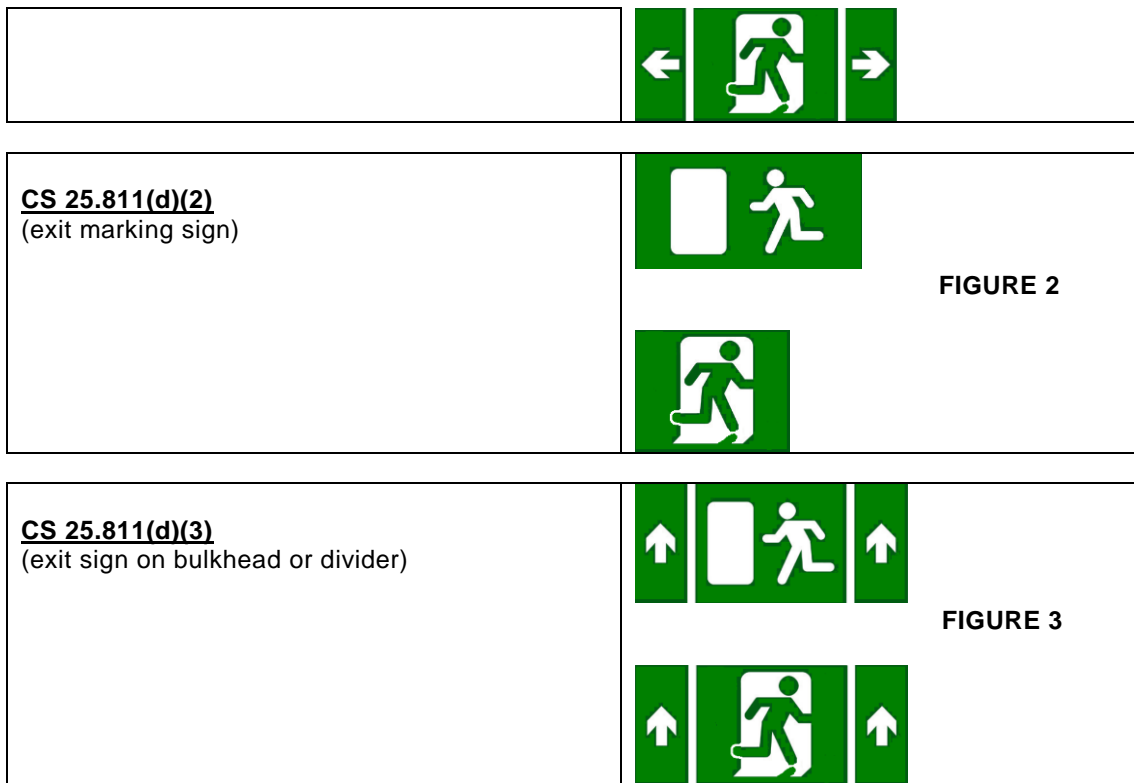
Note 1: The table given for reference is deduced from Table 2 in BS 5499.

The maximum viewing distance "D" to be considered should be the maximum distance found between two adjacent exits on one side. If the minimum overall height calculated for the symbolic sign is less than 38mm (1.5 inches), 38 mm (1.5 inches) should be taken.

Examples of acceptable designs of symbolic exit signs



CS-25 BOOK 2



The design of symbolic exit signs should be chosen to provide a consistent set throughout the cabin.

[Amdt. No.: 25/3]

AMC 25.812(b)(2)
Emergency Lighting

Two acceptable methods of demonstrating compliance with the requirement of CS 25.812(b)(2) are as follows:

A Locator sign, marking sign and bulkhead or divider sign should either:

- have red letters at least 25 mm (1 inch) high on an illuminated white background at least 51 mm (2 inches) high.

or,

- be a symbolic exit sign as derived from ISO/WD 3864-3 and ISO/CD 16069 "Safety Way Guidance System" and Draft BS 5499: Part 4 "Code of Practice for Escape Route Signing".

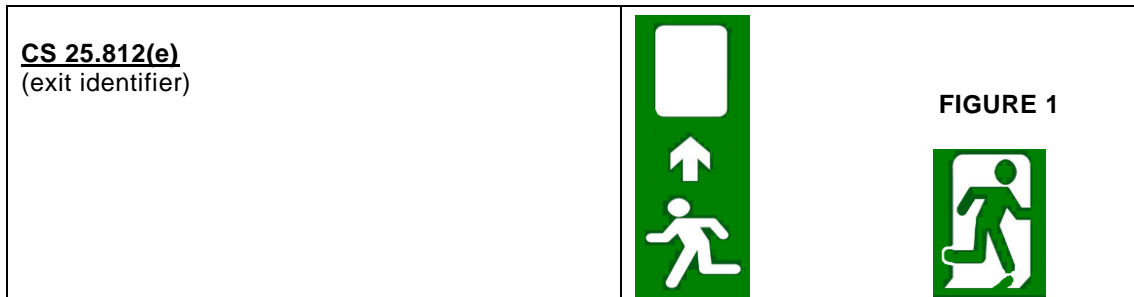
The symbols should be white on a green background according to ISO 3864. The lighted background-to-symbol contrast must be at least 1:10. The height of the symbols should be at least 38 mm (1.5 inch).

[Amdt. No.: 25/3]

AMC 25.812(e)(2)
Emergency Lighting

An acceptable method of demonstrating compliance with the requirement of CS 25.812(e)(2) regarding identifiers of floor level exits is to have a symbolic sign showing a white arrow on a green background as indicated in the figure.

Note: Mixing language signs with symbolic signs is not an acceptable method of demonstrating compliance with CS 25.812(b)(1), (b)(2) and (e)(2).

CS-25 BOOK 2

[Amdt. No.: 25/3]

AMC 25.813
Emergency Exit Access

The term ‘unobstructed’ should be interpreted as referring to the space between the adjacent wall(s) and/or seat(s), the seatback(s) being in the most adverse position, in vertical projection from floor-level to at least the prescribed minimum height of the exit.

For Assist Spaces, relevant part of the FAA Advisory Circular 25-17A Transport Airplane Cabin Interiors Crashworthiness Handbook, dated 05/18/09 is accepted by the Agency as providing acceptable means of compliance with CS 25.813(b).

Note: ‘relevant parts’ means ‘the part of the AC 25-17A that addresses the applicable FAR/CS-25 paragraph’.

[Amdt. No.: 25/12]

AMC 25.813(c)
Emergency Exit Access and Ease of Operation

1 Post crash seat deformation

The requirement for an “unobstructed” passageway is not intended to preclude some deformation of seat structure into the required minimum passageway dimension due to emergency landing dynamic loading.

Seat permanent deformation of up to 3 inches (as recorded in the tests required by CS 25.562) into the minimum passageway dimensions defined in CS 25.813(c) is acceptable, provided no part of the seat intrudes into the minimum required projected opening of the exit and provided the exit operating characteristics are not compromised. Relevant parts of FAA Advisory Circular 25.562-1B provide further details.

2 Deployable features

Features mounted on seats, bulkheads or other cabin features, under passenger control and which deploy into the required minimum passageway, may be accepted as not contravening the “unobstructed passageway” requirements of CS 25.813(c) provided they are easily and instinctively pushed out of the passageway by escapees in the event that they remain deployed prior to, or become deployed during, an evacuation. This may include, but not be limited to, items such as handsets, tray tables, in-armrest video monitors. Items such as footrests which would not be within easy reach of escapees’ hands and/or not easily visible during an evacuation will not be accepted as being easily and instinctively re-stowed.

Such designs will be assessed on their individual merits.

CS-25 BOOK 2

It must be noted that none of the above reduces the requirement to design latching means that will prevent inadvertent release by evacuating passengers. A “Lock out device” will not be acceptable as part of a means of compliance to the minimum unobstructed passageway dimensions. “Lock out device” means a mechanism actuated by a cabin crew member to prevent passengers deploying items into an access passageway during taxi, take-off and landing.

Features (e.g. seat recline, footrests, video screens, tables) may still be unsafe, even if they do not deploy into a defined minimum 15.2, 25.4 or 33 cm (6, 10 or 13 inches) passageway (as applicable). Deployable items may create snagging/tripping hazards and in the case where a wider passageway than the minimum is provided, it cannot be assumed that escaping passengers will constrain themselves to passing along one side or the centre. Features which deploy into the actual passageway provided (in vertical projection from floor level to the upper ceiling/over head bin constraint) will be assessed in the same way as if they deployed into the minimum passageway, i.e. they can be accepted if they can be easily and instinctively pushed out of the passageway as described above.

3 Automatic disposal of hatch/door

The intent, in CS 25.813(c)(6), of requiring “automatic” disposal of a Type III hatch/door on aeroplanes with passenger seating configurations of 41 or more is to remove the risk of passenger confusion, difficulty or error once the opening handle movement has been initiated.

In this context, “automatic” is intended to convey the requirement that this type of Type III exit should be by its design as simple, instinctive and easy to operate as any other type of exit.

Markings, controls and kinematics of the design should be so that with minimal instruction (i.e. from a study of the placards required by CS 25.813(c)(5) a naïve subject, with the ranges of size and strength found in the 5th percentile female to the 95th percentile male, would be expected to be able to swiftly and correctly operate the exit to its fully open and secured position.

In this regard, the exit hatch/door should move from its closed to fully open position in one simple and continuous operator motion, e.g. avoiding discontinuities in required force/direction on the handle(s). The traditional practice of providing a removable hatch will not be accepted as meeting the requirements of CS 25.813(c)(6).

It is to be noted that the requirements of CS 25.809, which defines emergency exit operating characteristics, testing requirements, etc. are applicable to all exit types, including Type III and IV.

4 Very large exit access provision

In most cases it is expected that the cabin arrangement adjacent to a Type III or IV exit will be such that access provision and unobstructed space for operation will be towards the minimum dimensions required. However, this might not always be the case.

Some of the testing performed to substantiate the required dimensions has revealed that competition between escaping passengers can reduce a Type III exit’s evacuation performance in cases where a large unobstructed passageway or adjacent area is provided.

Dependent on the details of a specific cabin layout, additional substantiation may therefore be necessary for a design providing a substantially larger passageway and/or clear area adjacent to the exit than the minimum required. This will also apply to Type IV exits.

5 “De-rated” and “oversized” exits

Two cases can be identified where some additional considerations may be needed when considering the provisions of CS 25.813(c)(4)(i), namely:

CS-25 BOOK 2

- a. A larger exit type (e.g. Type II, I) which is declared as a Type III in order to, for instance, place a seat partially overlapping the exit opening (i.e. “de-rating” the exit).
- b. The exit opening provided by the design is larger than the minimum required (i.e. an “oversize exit”).

In such cases it may be acceptable that the exit opening provided is partially obstructed, at all times or perhaps when certain features are deployed, if the remaining exit aperture still provides the intended egress performance.

Each such case will be assessed on its own individual merits and, if accepted, would be so on the basis of Equivalent Safety.

6 Provisions to prevent escapees bypassing the intended evacuation route

CS 25.813(c)(7) (i) is intended to prevent cabin installations which would permit escaping passengers bypassing the intended evacuation route to the exit by climbing over seat backs or any other feature that may bound the required access passageway.

In the case of seat backs, the surface over which an escapee may attempt to climb should remain essentially upright, i.e. not exceeding 20 degrees rearward and 10 degrees forward relative to a plane normal to the cabin floor, when a load of up to 668 N (150 lbf) is applied horizontally in a fore/aft direction at the structurally most critical point.

In the case of features other than seat backs, the obstacle to climbing over should be assessed with the aim that it be comparable to the seat back example above, i.e. the angle and height of the item/surface in question.

7 Placards

The placards required by CS 25.813(c)(5) must accurately illustrate the proper method of opening the exit. This will require different “handed” placards for installation on the left and right sides of the cabin. Precautions should be taken to minimise the risk of a placard being installed on the incorrect side of the cabin.

The particular method illustrated on a placard, e.g. placement of body, hands etc. should be substantiated as being that most likely to result in successful operation.

8. Entrapment

The seat design should be free of any gaps into which it would be possible to place a foot, hand or arm in such a way as to delay or hamper free movement of passengers to the exit. Any opening/gap that is assessed as being positioned such that it poses a risk and which is more than 2.54 cm (one inch) in width will need to be the subject of particular scrutiny before being found acceptable.

[Amdt. No.: 25/9]

AMC 25.815 **Width of aisle**

Relevant part of the FAA Advisory Circular 25-17A Transport Airplane Cabin Interiors Crashworthiness Handbook, dated 05/18/09, are accepted by the Agency as providing acceptable means of compliance with CS 25.815.

Note: “relevant parts” means “the part of the AC 25-17A that addresses the applicable FAR/CS-25 paragraph”.

[Amdt. No.: 25/11]

CS-25 BOOK 2**AMC 25.831(a)
Ventilation**

The supply of fresh air in the event of the loss of one source, should not be less than 0.18 kg/min (0.4 lb/min) per person for any period exceeding five minutes. However, reductions below this flow rate may be accepted provided that the compartment environment can be maintained at a level which is not hazardous to the occupant.

**AMC 25.831(c)
Ventilation**

1 To avoid contamination the fresh air supply should be suitably ducted where it passes through any compartment inaccessible in flight.

2 Where the air supply is supplemented by a recirculating system, it should be possible to stop the recirculating system and –

- a. Still maintain the fresh air supply prescribed, and
- b. Still achieve 1.

**AMC 25.851(a)
Hand Fire Extinguishers**

1 Each extinguisher should be readily accessible and mounted so as to facilitate quick removal from its mounting bracket.

2 Unless an extinguisher is clearly visible, its location should be indicated by a placard or sign having letters of at least 9.5 mm (0.375) inches in height on a contrasting background. Appropriate symbols may be used to supplement such a placard or sign.

[Amdt. No.: 25/12]

**AMC 25.851(a)(1)
Hand Fire Extinguishers**

1 The number and location of hand fire extinguishers should be such as to provide adequate availability for use, account being taken of the number and size of the passenger compartments and the location of toilets, galleys, etc. These considerations may result in the number being greater than the minimum prescribed.

2 Where only one hand extinguisher is required it should be located at the cabin crew member station, where provided, otherwise near the main entrance door.

3 Where two or more hand extinguishers are required and their location is not otherwise dictated by consideration of paragraph 1 above, an extinguisher should be located at each end of the cabin and the remainder distributed throughout the cabin as evenly as is practicable.

[Amdt. No.: 25/12]

**AMC 25.851(a)(2)
Hand Fire Extinguishers**

There should be at least one fire extinguisher suitable for Class B and C fires installed in each pilot's compartment. Additional extinguishers may be required for the protection of other compartments accessible to the crew in flight (e.g. electrical equipment bays) or from consideration of CS 25.851(a)(2).

CS-25 BOOK 2

Based on EU legislation², for new installations of hand fire extinguishers for which the certification application is submitted after 31 December 2014, Halon 1211, 1301 and Halon 2402 are unacceptable extinguishing agents.

The hand fire extinguishers and related agents listed in the FAA Advisory Circular AC 20-42D are considered acceptable by the Agency. See AMC 25.851(c) for more information on Halon alternatives.

NOTE: Dry chemical fire extinguishers should not be used in pilot compartments because of the adverse effects on vision during discharge and, if non-conductive, interference with electrical contacts by the chemical residues.

[Amdt. No.: 25/12]

AMC 25.851(b)
Built-in Fire Extinguishers for Cargo Compartments

1. PURPOSE.

This AMC sets forth acceptable means, but not the only means, of demonstrating compliance with the provisions of CS-25 related to the built-in fire suppression systems when required for cargo compartments of large aeroplanes. The guidance provided within this AMC has been found acceptable for showing compliance with the provisions of CS 25.855 and 25.857 for built-in fire-extinguishing systems. As with all AMC material, it is not mandatory and does not constitute a regulation. For application to the product, alternate methods may be elected to be followed, provided that these methods are also found by the EASA to be an acceptable means of complying with the requirements of CS-25.

2. RELATED CS PARAGRAPHS.

CS 25.851 "Fire extinguishers"
 CS 25.855 "Cargo or baggage compartments"
 CS 25.857 "Cargo compartment classification"
 CS 25.858 "Cargo compartment fire detection systems"

3. BAN ON HALON 1301.

Halon 1301 is no longer an acceptable extinguishing agent, based on EU Legislation³, for cargo compartment fire extinction systems to be installed on aircraft types, for which type certification is requested after 31 December 2018. See AMC 25.851(c) for more information on Halon alternatives.

4. BACKGROUND ON CONCENTRATION OF HALON 1301.

Minimal written guidance is available for use in certifying cargo compartment fire-extinguishing or suppression systems. Testing at the FAA Technical Center and other data from standardised fire-extinguishing evaluation tests indicates that the use of averaging techniques may not substantiate that there are adequate concentration levels of fire-extinguishing agent throughout the compartment to effectively suppress a cargo fire.

Cargo fire-extinguishing systems installed in aeroplanes have primarily used Halon 1301 as the fire suppression agent. One widely used method to certify Halon 1301 cargo fire suppression systems requires an initial concentration of five percent by volume in order to knock down a cargo fire. Subsequent concentration levels should not drop below three percent by volume for the remainder of the flight in order to suppress a cargo fire until it can be completely extinguished by ground personnel following a safe landing.

² Commission Regulation (EU) No 744/2010 of 18 August 2010 amending Regulation (EC) No 1005/2009 of the European Parliament and of the Council on substances that deplete the ozone layer, with regard to the critical uses of halon (OJ L 218, 19.8.2010, p. 2).

³ Commission Regulation (EU) No 744/2010 of 18 August 2010 amending Regulation (EC) No 1005/2009 of the European Parliament and of the Council on substances that deplete the ozone layer, with regard to the critical uses of halon (OJ L 218, 19.8.2010, p. 2).

CS-25 BOOK 2

Since Halon 1301 is approximately five times heavier than air, it tends to stratify and settle after it is released into the cargo compartment. Also, due to temperature differences and ventilation patterns, in a ventilated compartment, Halon 1301 will start to stratify shortly after discharge and the concentration level will decay faster in the upper locations of the compartment than in the lower locations. Halon 1301 will also have a tendency to move aft due to any upward pitch or forward in any downward pitch of the aeroplane in flight. For some products the concentration levels of Halon 1301 have been measured at various locations throughout the cargo compartment and used an arithmetic average of the individual sampling locations to determine an overall concentration level for the cargo compartment. This averaging technique may allow the concentration level to drop below three percent by volume at individual sampling locations near the top of the cargo compartment.

Testing at the FAA Technical Center and other data from standardised fire-extinguishing evaluation tests indicates that the use of averaging techniques may not substantiate that there are adequate concentration levels of fire-extinguishing agent throughout the compartment to effectively suppress a cargo fire. If a cargo fire occurred, and was subsequently suppressed by Halon 1301, the core of the fire could remain hot for a period of time. If the local concentration of Halon 1301 in the vicinity of the fire core dropped below three percent by volume and sufficient oxygen is available, re-ignition could occur. The FAA tests have shown that when the Halon 1301 concentration level drops below three percent by volume and the cargo fire re-ignites, the convective stirring caused by the heat of the fire may be insufficient to raise the local concentration of Halon in the vicinity of the fire. Therefore, compliance testing will require the use of point-concentration data from each sensor and that the probes closest to the cargo compartment ceiling must be at least at the highest level that cargo and baggage can be loaded as specified by the manufacturer and certified by the appropriate airworthiness authority. In addition, certification test data acquisition must include analysis and/or data taken after landing at a time increment which represents the completion of an evacuation.

5. COMPARTMENT CLASSIFICATION.

All cargo compartments must be properly classified in accordance with CS 25.857 and meet the requirements of CS 25.857 pertaining to the particular class involved. In order to establish appropriate requirements for fire protection, a system for classification of cargo or baggage compartments was developed and adopted for large aeroplanes. Classes A, B, and C were initially established; Classes D and E were added later.

a. A Class A compartment is one that is located so close to the station of a crewmember that the crewmember would discover the presence of a fire *immediately*. In addition, each part of the compartment is easily accessible so that the crewmember could quickly extinguish a fire with a portable fire extinguisher. A Class A compartment is not required to have a liner.

(1) Typically, a Class A compartment is a small open compartment in the cockpit area used for storage of crew luggage. A Class A compartment is not, however, limited to such use; it may be located in the passenger cabin and used for other purposes provided it is located adjacent to a crewmember's station and crewmember remains present during all times when it is used for storage.

(2) Because a Class A compartment does not have a liner, it is *absolutely essential* that the compartment be small and located close enough to a crewmember that any fire that might occur could be discovered and extinguished immediately. Without a liner to contain it, an undetected or uncontrolled fire could quickly become catastrophic by burning out of the compartment and spreading throughout the aeroplane. All portions of the compartment must be within arms length of the crewmember in order for any fire to be detected immediately and extinguished in a timely manner. Although there may be some exceptions, such as a 'U-Shaped' compartment for example, a Class A compartment greater than 1.42 cubic metres (50 cubic feet) in volume would not typically have the accessibility required by CS 25.857(a)(2) for fighting a fire.

b. A Class B compartment is one that is more remote than a Class A compartment and must, therefore, incorporate a fire or smoke detection system to give warning at the pilot or flight engineer station. Because a fire could not be detected and extinguished as quickly, a Class B compartment must have a liner in accordance with CS 25.855. A Class B cargo or baggage compartment has sufficient access in flight to enable a crewmember to reach all parts of the compartment with the contents of a hand fire extinguisher. There are means to ensure that, while the access provisions are being used, no hazardous quantity of smoke, flames, or extinguishing agent will enter areas occupied by the crew or passengers.

CS-25 BOOK 2

c. A Class C compartment differs from a Class B compartment in that it is not required to be accessible in flight and must, therefore, have a built-in fire-extinguishing system to suppress or control any fire occurring therein. A Class C compartment must have a liner and a fire or smoke detection system in accordance with CS 25.855 and 25.857. There must also be a means to control ventilation and drafts within the compartment and a means to exclude hazardous quantities of smoke, flames, or extinguishing agent from occupied areas.

d. FAR Amendment 25-93 removed the Class D cargo compartment classification for new aeroplanes effective March 19, 1998.

e. A Class E compartment is particular to an all-cargo aeroplane. Typically, a Class E compartment is the entire cabin of an all-cargo aeroplane; however, other compartments of such aeroplanes may be classified as Class E compartments. A fire in a Class E compartment is controlled by shutting off the ventilating airflow to or within the compartment. Additionally, most cargo aeroplanes have smoke/fire procedures that recommend that the crew turn off the ventilating air, don their oxygen equipment, and gradually raise the cabin altitude, between 6096 m (20,000 feet) and 7620 m (25,000 feet), to limit the oxygen supply and help control a fire until the aeroplane can descend to land. A Class E compartment must have a liner and a fire or smoke detection system installed in accordance with CS 25.855; however, it is not required to have a built-in fire suppression system.

6. FIRE-EXTINGUISHING OR SUPPRESSION SYSTEMS.

The terms “extinguishing system” and “suppression system” will be used interchangeably in this AMC. The system is not required to extinguish a fire in its entirety. The system is intended, instead, to suppress a fire until it can be completely extinguished by ground personnel following a safe landing.

7. TESTING VOLUMETRIC CONCENTRATION LEVELS.

For the product it should be demonstrated that the cargo fire-extinguishing system provides adequate concentration levels of extinguishing agent to combat a fire anywhere where baggage and cargo is placed within the cargo compartment for the time duration required to land and evacuate the aeroplane. A combination of flight-testing and analysis may be used to comply with this requirement. If Halon 1301 is used, an initial minimum concentration of five percent by volume is required to knock down a cargo fire. Subsequent gaseous extinguishing agent should, if required for the duration of the flight, be introduced via a metering or other appropriate system to ensure that point concentration levels do not drop below three percent by volume for the remainder of the flight. The duration of agent application should be determined from route analysis (i.e. the time to travel from the farthest distance expected in route to the nearest adequate airport for landing per applicable operational rules. For Extended Operation with Two-Engine Aeroplanes (ETOPS) AMC 20-6 specify that an analysis or tests should be conducted to show, considering approved maximum diversion in still air (including an allowance for 15-minute holding and/or approach and land), that the ability of the system to suppress or extinguish fires is adequate to ensure safe flight and landing at a suitable airport. The minimum extinguishing agent concentration levels are to be maintained for the required duration throughout the cargo compartment where cargo will be carried, including side to side, end to end, and top to bottom. However, flight test measurements do not have to be made in compartment areas that are designated empty and will not contain cargo.

The fire-extinguishing agent concentration levels should be measured at sufficient vertical, horizontal, and longitudinal locations to ensure that sufficient resolution exists to define the variations in fire-extinguishing agent concentration levels throughout the cargo compartment in these planes. No averaging techniques are permitted in compliance demonstrations for CS 25.851(b)(2). The only exception to this will be in the event of a sensor failure where interpolation of sensor data from other nearby probes to yield an estimate of missing agent concentration data may be allowed by the Agency. In the event such interpolation is necessary, then a linear interpolation of the data will provide an acceptable means of approximating the missing data.

Sampling locations should also be placed as close as practical to potential leakage or ventilation flow areas (e.g., door seals, vents, etc.) which can disrupt the local concentration levels.

The concentration levels should not be less than the minimum established for that fire-extinguishing agent at any point within the compartment. Arithmetic averaging of individual sampling locations to determine the concentration levels is not acceptable. The use of averaged concentration data will no longer be accepted, except in well-defined cases (i.e., during certification tests) where a sensor probe failure occurs and the use of interpolation from adjacent sensor probes is warranted. Compliance with CS 25.851(b) will require

CS-25 BOOK 2

the use of point-concentration data from each sensor and that the probes closest to the cargo compartment ceiling must be at least at the highest level that cargo and baggage can be loaded as specified by the manufacturer and certified by the Agency. Other placement of concentration sensor probes within the cargo compartment should be sufficient to substantiate that there are adequate concentration levels of fire-extinguishing agent throughout the compartment to effectively control a cargo compartment fire. The sampling rate should be sufficient to establish a concentration level versus time decay curve. In the event that a single sensor displays a suspect time history, the use of an interpolated time averaged value may be acceptable to the Agency. If fire-extinguishing agent concentration levels at a probe drop below the minimum requirement, it should be a temporary anomaly of short duration and not observed in adjacent probes. If it could be demonstrated that the temporary anomaly is associated with aeroplane manoeuvres, then the data may be acceptable to the Agency.

Typically there are two type of extinguishing agent dispensing systems, a flood or dump (high rate discharge) system and a metered system. The flood or dump system dispenses the agent with the activation of the system and a selected amount of agent is injected into the compartment to suppress the fire. Once the agent concentration level approaches the minimum sustaining level, i.e., 3%, a second and subsequent discharge of agent takes place to assure the 3% concentration level is maintained for the time necessary to divert to a safe landing. The metered systems usually discharge agent into the compartment for fire suppression (5%) and then adds agent in a prescribed amount to the compartment to maintain the 3% concentration level.

Certification flight test demonstration is required for a “dump” system for the duration of the intended diversion profile. If a metering system is proposed, the system’s acceptability may be demonstrated through a limited flight test, in which a portion of the system is actually tested, and the full capability of the system is demonstrated via analysis. It is recognised that issues such as what compartment size should be tested (smallest or largest), the test duration in flight, and whether reliable analytical methods are available to predict concentration levels for various locations and heights in a given cargo compartment will have an impact on certification tests. EASA concurrence must be obtained for this type of testing and analysis of the product. A sufficient portion of the metering system capability should be demonstrated to provide enough data to establish fire-extinguishing agent concentration and behaviour for the remaining flight. It is recognised that aeroplane climb flight phase and the descent flight phase represent dynamic environments and no data need be acquired during these transient flight phases were cabin altitude changes would preclude accurate data acquisition. However, certification data must include analysis and/or data taken after landing at a time increment representative of the completion of an evacuation of all occupants.

Acceptable extinguishing agents, alternative to Halon and based on internationally recognised Minimum Performance Standards (MPS), like e.g. Report No. DOT/FAA/AR-00-28, Development of a Minimum Performance Standard for Aircraft Cargo Compartment Gaseous Fire Suppression Systems, dated September 2000, may be accepted by the Agency. In the absence of internationally accepted concentration levels, the Agency will initiate a Certification Review Item addressing the use of an alternate fire-extinguishing agent.

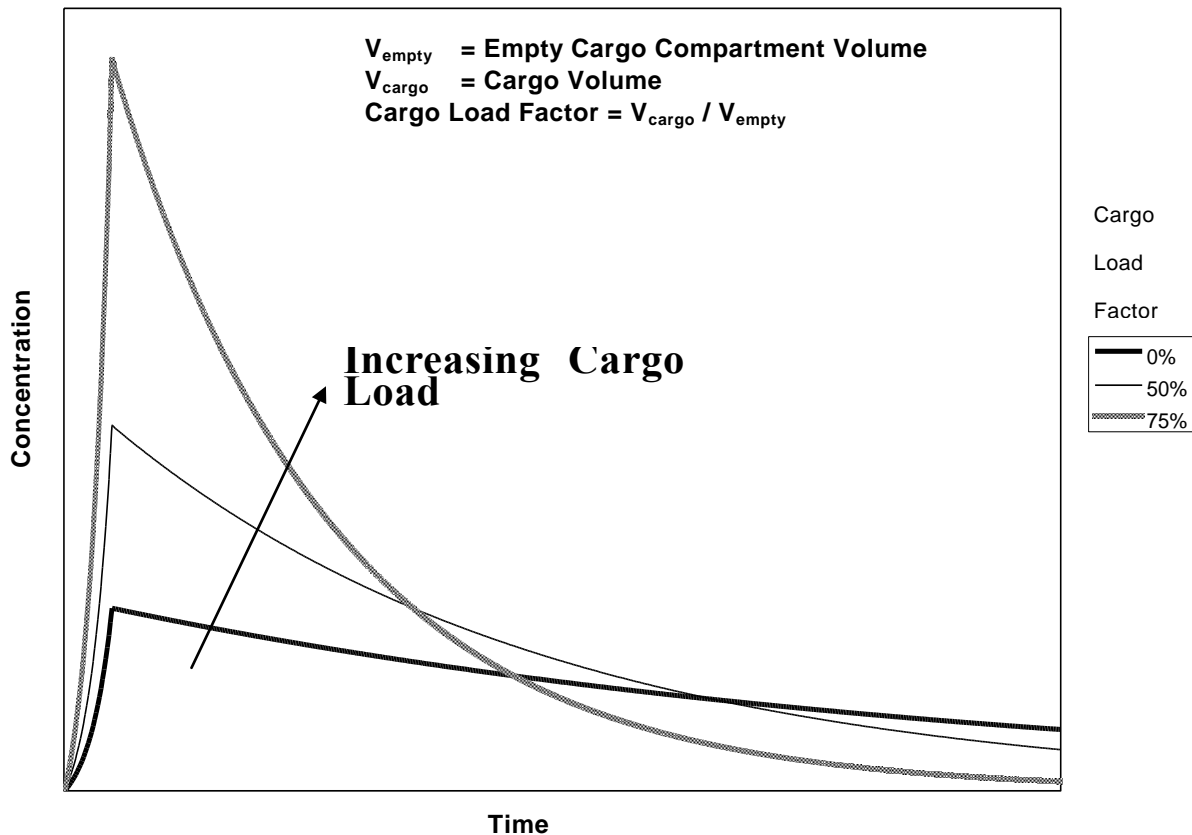
8. AEROPLANE TEST CONDITIONS FOR USE OF HALON 1301 IN CARGO COMPARTMENTS.

Flight tests are required to demonstrate function and dissipation of the fire-extinguishing agent or simulant in a cargo compartment. For certification tests, the aeroplane and relevant systems should be in the type design configuration.

The cargo compartment should be empty for the above test. However, as shown in Figure 8-1, a compartment with cargo may be more time critical than an empty compartment for minimum fire-extinguishing agent concentration levels. The time critical nature depends on several factors. Even with a pure “dump” system, having cargo does not necessarily mean a marginally performing system during an empty cargo compartment test will result in a “bad” system with cargo. Also, metering systems, if designed properly, are relatively insensitive to the cargo load factor.

CS-25 BOOK 2

Figure 8-1. Effect of Cargo Load on Halon 1301 Concentration Levels



A specific example of the effect of cargo compartment loading is shown in Figure 8-2, using the Appendix 1 simulation. If the volume of the compartment is decreased to represent increasing cargo load percentages and the leakage rate and initial Halon quantity are kept constant, then the initial Halon concentrations increase and the concentration decay rates also increase. Using this approach, the concentration in an empty compartment will decay to 3% faster than a loaded compartment up to a load percentage of about 65.6%. With compartments loaded to a higher percentage than 65.6%, the concentration will fall below 3% faster than an empty compartment.

This simulation of cargo loading assumes that the Halon concentration is homogeneous throughout the compartment and that the volume taken up by the loaded cargo is uniformly distributed throughout the compartment. Note: Both of these assumptions are not true in an actual loaded compartment so caution should be exercised to relate the measurements taken in an actual loaded compartment in flight.

CS-25 BOOK 2

Theoretical Halon Decay

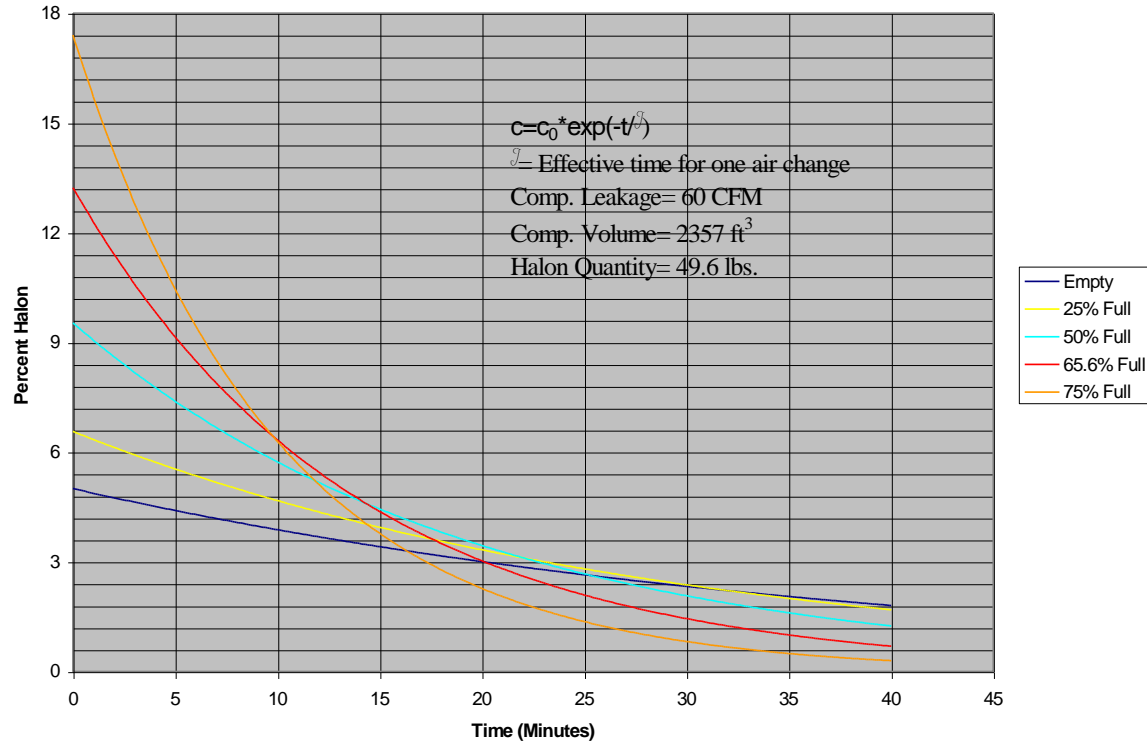


Figure 8-2

Analysis should be provided to ensure that the suppression agent concentration levels will not fall below the minimum requirement with a cargo load factor as follows:

- a. For cargo compartments using only standard cargo containers, the maximum possible volume occupied by containerised cargo should be determined for the product and this value be used as the cargo load factor. This maximum volume becomes an aeroplane limitation.
- b. For all other configurations, a minimum cargo load factor of 75% by volume should be used for the product."

Appendix 1 to this AMC provides guidance on analysing Halon 1301 concentration levels.

The suppression system certification test should be conducted, as a minimum, during steady-state cruise with a maximum cabin-to-ambient pressure differential. The ventilation system should be configured per the aeroplane flight manual (AFM) procedures for a cargo compartment fire. The system should also be demonstrated acceptable for unpressurised flight conditions unless there is a restriction on unpressurised flight for the aeroplane.

It should be noted that cargo compartment leakage rates would vary between aeroplanes. This is especially significant for changes introduced by supplemental type certificate (STC) modifying aeroplanes that have been in service. Some preliminary testing should be done to determine the maximum leakage rates seen/expected in service. For new type designs the issue of wear and tear on the compartment should also be addressed when establishing the decay rate in a brand new aircraft at the factory.

9. USE OF SIMULANTS FOR CERTIFICATION TESTING

The aviation industry may continue to use Halon in cargo fire suppression applications in relation to new application for type certificate, until the end of 2018..

CS-25 BOOK 2

The EPA/EU are allowing the aviation industry to use Halon to demonstrate system functionality as long as a simulant or alternate extinguishing agent or alternate fire-extinguishing system cannot be used in place of the Halon during system or equipment testing for technical reasons. It should be noted, however, that certain states continue to ban the release of Halon for testing. The FAA Technical Center and the International Aircraft Systems Fire Protection Working Group are concentrating efforts on evaluating alternative fire-extinguishing agents and the use of simulants during certification testing. The EASA plans to approve a simulant which can be used in place of Halon 1301 during certification tests of aircraft fire-extinguishing systems to predict actual Halon 1301 volumetric concentration levels. When approved, the use of a simulant will be the preferred method for demonstrating compliance.

As of the date of this AMC, no suitable simulant for cargo compartment gaseous fire-extinguishing systems has been identified. However, should the EASA be approached with the intent to utilise for the product a simulant in lieu of a Halon 1301 system or other gaseous fire-extinguishing system then the recommended approach would be to perform testing which meets the Minimum Performance Standards for that application as developed by the International Aircraft Systems Fire Protection Working Group. To ensure acceptable successful means of compliance the same information as outlined above in paragraph 7 should be provided.

A simulant is defined in this AMC as a chemical agent that adequately imitates the discharge and distribution characteristics of a given extinguishing agent. It need not be an actual fire suppressant. For certain cases due to cost of the extinguishing agent, problems with supply of the extinguishing agent, etc; it may be more appropriate for the application to utilise a simulant. The Agency would require adequate analysis and testing be accomplished to establish the validity of the simulant. As a minimum, corroborating information would need to be provided as to the detailed chemical analysis of the simulant and evaluation testing of the fire-extinguishing system operated with the simulant which demonstrates the equivalent behaviour. To ensure acceptable means of compliance, the following must be provided:

- (1) The test data and distribution profiles using the simulant which meet the certification criteria as expressed below and in the Minimum Performance Standards as developed by FAA Technical Center as part of the International Aircraft Systems Fire Protection Working Group. (See Paragraph 15 for the listing of the references.)
- (2) A system description document that includes a description of the distribution of the simulant under the test conditions in the cargo compartment.
- (3) A detailed test plan.
- (4) Chemical data which describes the simulant and any toxicity data.

For the application the distribution of the simulant must be described as compared with Halon 1301 under the following conditions:

- a. Given the same filling conditions, the simulant is loaded into the fire extinguisher bottle based on an equivalent liquid fraction to the Halon 1301 charge weight required. This is an equivalent statement to the mass of the simulant being a specific percentage of the Halon 1301 charge weight required.
- b. The fire extinguisher bottle containing the simulant is pressurised with nitrogen in an identical manner required by the Halon 1301 charge weight.
- c. The simulant is discharged into the test environment, i.e. cargo compartment.

9.1 Pre-Test Considerations:

- a. An EASA accepted analyser (for example, Statham-derivative analyser) capable of measuring the simulant distribution profile in the form of volumetric concentration is required.
- b. An EASA accepted analyser (for example, Statham-derivative analyser) and associated hardware are configured for the particular application.
- c. The fire suppression system should be completely conformed for Halon 1301.
- d. The fire extinguisher bottle(s) should be serviced and prepared for the prescribed test(s).

CS-25 BOOK 2**9.2 Test Procedures:**

- a. Perform the prescribed distribution test in accordance with the EASA approved test plan. See Paragraph 7 for guidance on probe placement.
- b. An EASA accepted analyser (for example, Statham-derivative analyser) should record the distribution profile as volumetric concentration for the simulant.

9.3 Test Result Evaluation:

- a. Produce the data from the EASA accepted analyser (for example, Statham-derivative analyser) in graphical format. This format should be the volumetric concentration of the simulant versus time. A specific percent volumetric initial concentration and a specific percent volumetric metered concentration for the length of the test duration as determined by previous testing conducted per the established minimum performance standards is required for airworthiness approval of cargo compartment systems.
- b. Using the Halon 1301 certification criteria, evaluate the distribution profile of the simulant for acceptable performance. The acceptability of the test data would be dependent upon the distribution profile and duration exhibited by each probe (See above and Paragraph 7 for cargo compartment fire-extinguishing systems).

10. ESTABLISHING DURATION FOR THE SUPPRESSION SYSTEM.

The adequacy of the capacity of the “built-in system” is understood to mean, that there is sufficient quantity of agent to combat the fire anywhere where baggage and cargo is placed within the cargo compartment for the time duration required to land and evacuate the aeroplane. Current built-in cargo fire-extinguishing systems utilise Halon 1301 as the fire-extinguishing agent. Protection is afforded as long as the minimum concentration levels in the cargo compartment do not drop below three percent by volume. The time for which a suppression system will maintain the minimum required concentration levels should be identified as a certificate limitation.

The designer of the product should work with the aircraft owner and the competent authority providing operational approval to ensure that the cargo fire-extinguishing system provides the required protection time (i.e., proper sizing of the cargo fire-extinguishing system) for the specific route structure. The competent authority may insist on some holding time to allow for weather and other possible delays, and may specify the speeds and altitudes used to calculate aeroplane diversion times based on one-engine-out considerations.

The competent authority providing operational approval for the aeroplane determines the maximum allowable time, following the discovery of a fire or other emergency situation, required to divert the aeroplane to an alternate landing site. In the past, for some cases, the maximum allowable time was calculated by adding a 15 minute allowance for holding and/or approach and landing to the actual time required to reach the alternate landing site under specific operating conditions. With the issuance of this AMC, an allowance of 15 minute for approach and landing must be considered and certification data must include analysis and/or data taken after landing at a time increment which represents the completion of an evacuation of all occupants.

AMC 20-6 “Extended Range Operation with Two-Engine Aeroplanes (ETOPS),” provides acceptable means for obtaining approval under applicable operational rules for two-engine aeroplanes operating over a route that contains a point farther than one hour’s flying time at the normal one-engine inoperative cruise speed (in still air) from an adequate airport. It includes specific criteria for deviations of 75 minutes, 120 minutes, and 180 minutes from an adequate airport plus an allowance for 15-minute holding and/or approach and land.

Certification flight tests, supplemented by analysis for cargo load factors and additional metering system bottles as applicable, determines the maximum protection time provided by the cargo fire-extinguishing system. This maximum protection time may not be the same as the maximum allowable time required to divert the aeroplane. The certificate limitation for total time, including the 15 minute allowance for holding and/or approach and landing as applicable, should never be greater than the maximum protection time provided by the cargo fire-extinguishing system.

The following examples illustrate these issues:

CS-25 BOOK 2Example 1

Maximum protection time provided
 By cargo fire-extinguishing system = 127 minutes
 Maximum diversion time = 112 minutes + 15 minutes

(Note - in this example, the civil aviation authority required an allowance of 15 minutes for holding and/or approach and landing)

Certificate limitation for total time = 127 minutes

Example 2

Maximum protection time provided
 By cargo fire-extinguishing system = 68 minutes
 Maximum diversion time = 60 minutes

(Note - in this example, the civil aviation authority did not require the 15 minutes allowance for holding and/or approach and landing. With the issuance of this AMC, the approach indicated in example 2 above is no longer considered an acceptable means of compliance.)

Certificate limitation for total time = 60 minutes”

11. MANUAL CONSIDERATIONS.

To ensure fire protection/fire suppression system effectiveness and safe continuation of flight and landing, the applicable aeroplane manuals should contain appropriate directives, for example:

- a. Any procedures related to fighting a cargo compartment fire should be clearly defined in the Aeroplane Flight Manual (AFM).
- b. Aeroplane Flight Manuals should contain instructions to land at the nearest adequate airport (or suitable airport for ETOPS) following detection of a cargo fire.
- c. Cargo loading restrictions (certified type of loading per compartment, limits for loading heights and width, etc.) should be clearly described in the Weight & Balance Manual or any other appropriate aeroplane manual.
- d. Where the use of aeroplane manuals is considered to be impractical during cargo loading activities, all necessary information may be introduced into crew operating manuals or part of dedicated instructions for cargo loading personnel.

12. PLACARDS AND MARKINGS IN CARGO COMPARTMENTS

Experience has shown that under certain circumstances and despite clear instructions in the applicable aircraft documentation, cargo loading personnel may not obey loading restrictions. Especially pallets may be loaded higher than certified or bulk cargo may be stowed up to the ceiling, adversely affecting smoke detection and fire protection/fire suppression system effectiveness.

To visually indicate the applicable loading restrictions to each person being responsible for cargo loading activities in a compartment, placards and markings for certified type of cargo, maximum loading height and widths may need to be installed in that compartment.

For the design of these indications (i.e., for shape, size, colour and brightness), illumination conditions in the compartment should be considered. Markings and placards should not be easily erased, disfigured or obscured. Further guidance may be derived from compliance demonstrations for CS paragraphs regulating other internal markings and placards, for example in the cockpit or passenger compartment.

[Amdt. No.: 25/12]

CS-25 BOOK 2

APPENDIX 1: ANALYTICAL METHODS FOR DETERMINING HALON 1301 CONCENTRATION LEVELS

1. PURPOSE. This appendix contains analytical methods for determining Halon 1301 fire-extinguishing agent concentration levels in empty or loaded cargo compartments as a function of time.
2. EXPLANATION OF TERMS AND SYMBOLS.

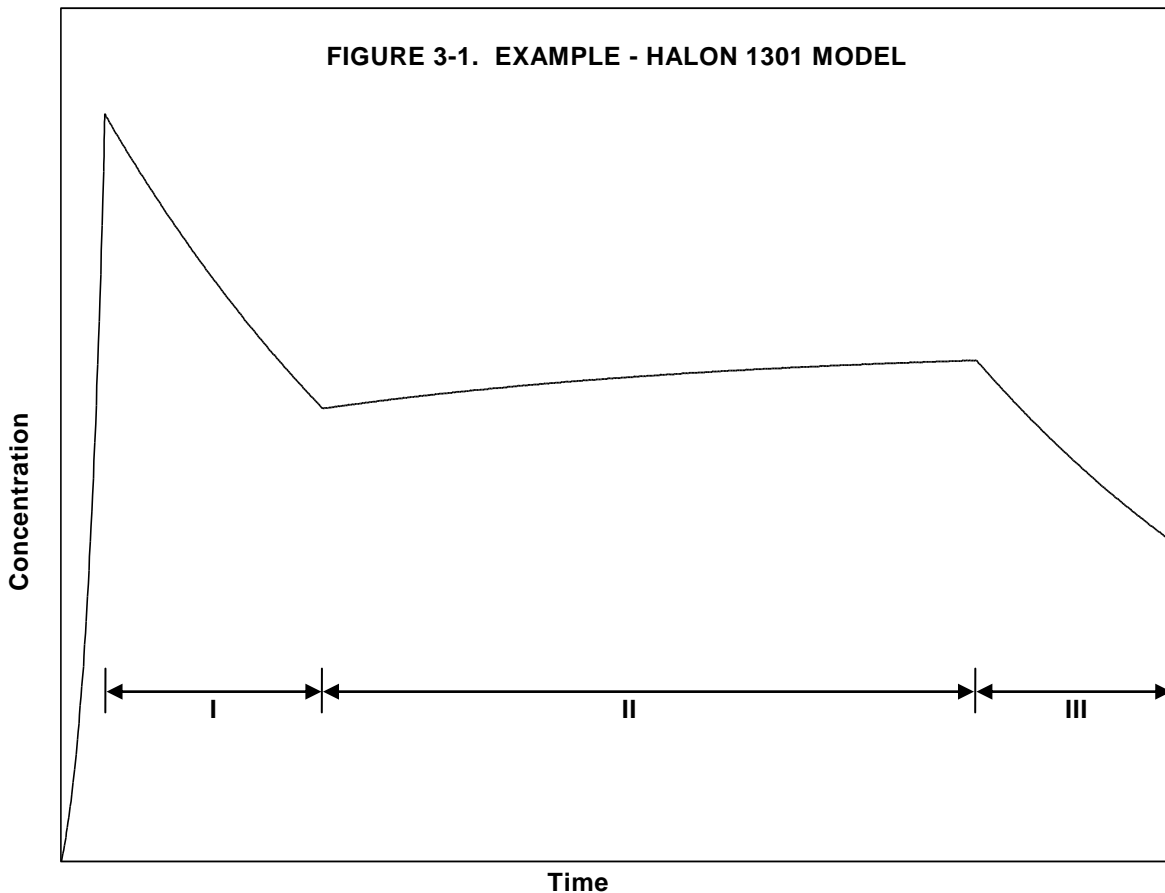
TABLE 2-1. TERMS AND SYMBOLS

SYMBOL	DESCRIPTION	UNITS CONSISTENT WITH EQUATIONS
C(t)	Halon 1301 concentration by volume at time "t." $= V_{\text{Halon 1301}} / V$	Dimensionless
$V_{\text{Halon 1301}}$	Volume of Halon 1301 in cargo compartment.	Cubic metre - m ³ (Cubic feet - ft ³)
V	Cargo compartment free volume (i.e., volume not occupied by cargo). $= 1 - (V_{\text{cargo}} / V_{\text{empty}})$	Cubic metre - m ³ (Cubic feet - ft ³)
V_{cargo}	Cargo volume.	Cubic metre - m ³ (Cubic feet - ft ³)
V_{empty}	Empty cargo compartment volume.	Cubic metre - m ³ (Cubic feet - ft ³)
T	Time.	Minutes – Min
E	Cargo compartment leakage rate.	Cubic metre per minute - m ³ /min (Cubic feet per minute - ft ³ /min)
S	Specific volume of Halon 1301.	Cubic metre per kilogram m ³ /kg (cubic feet per pounds(mass) ft ³ /lbm)
R	Halon 1301 flow rate.	Kilogram per minute kg/min (pounds(mass) per minute lbm/min)

3. HALON 1301 CONCENTRATION LEVEL MODEL.

Cargo compartment fire-extinguishing systems generally use a combination of one or two types of Halon 1301 discharge methods. One type rapidly releases all of the fire-extinguishing agent from one or more pressurised bottles into the cargo compartment. This type of discharge method is commonly known as a high rate discharge or 'dump' system.

CS-25 BOOK 2



The second type of Halon 1301 discharge method slowly releases the fire-extinguishing agent from one or more pressurised bottles into the cargo compartment. This type of discharge method is commonly known as a metering system.

The following list provides some examples, not all-inclusive, of different combinations of these Halon 1301 discharge methods.

- a. One high rate discharge.
- b. One high rate discharge followed by a second high rate discharge at a specified later time.
- c. One high rate discharge followed by a metered discharge at a specified later time.
- d. Simultaneous high rate and metered discharges.

The Halon 1301 fire-extinguishing system described in paragraph 3.c. above utilises both types of discharge methods and is illustrated in Figure 3-1.

Prior to Phase I - Initial High Rate Discharge of Halon 1301

This portion of the extinguishing process illustrates the high rate discharge method of releasing all of the fire-extinguishing agent from one or more pressurised bottles into the cargo compartment.

Phase I - Exponential “Decay” of Halon 1301

The beginning of Phase I represents the initial concentration of Halon 1301 used to knock down a cargo fire. Since no more Halon 1301 is introduced into the cargo compartment during Phase I, the concentration of Halon 1301 undergoes an exponential “decay” versus time.

The governing equation for exponential “decay” during Phase I is the following:

$$C(t) = C(0) e^{-Et/V}$$

CS-25 BOOK 2

NOTE - **C(0)** is the initial concentration of Halon 1301 used to knock down a cargo fire at the beginning of Phase I and **t** is the time elapsed since the beginning of Phase I.

Phase II - Metered Discharge of Halon 1301

The metered discharge of Halon 1301 starts at the beginning of Phase II. The example in Figure 3-1 shows that the metering rate is set to release Halon 1301 into the cargo compartment at a rate which is slightly greater than the rate Halon 1301 is lost through cargo compartment leakage.

The governing equation for metering during Phase II is the following:

$$C(t) = [C(0) - \{ R S / E \}] e^{-Et/V} + \{ R S / E \}$$

NOTE - **C(0)** is the concentration of Halon 1301 at the end of Phase I and **t** is the time elapsed since the end of Phase I.

Phase III - Exponential "Decay" of Halon 1301

The beginning of Phase III marks the end of Halon 1301 metering. As in Phase I, since no more Halon 1301 is introduced into the cargo compartment, the concentration of Halon 1301 undergoes an exponential "decay" versus time.

The governing equation for exponential "decay" during Phase III is the same as during Phase I with one exception; **C(0)** is the concentration of Halon 1301 at the end of Phase II and **t** is the time since the end of Phase II."

[Amdt. No.: 25/4]

AMC 25.851(c)

Alternative fire-extinguishing agents

1. GENERAL.

The Montreal Protocol, in existence since 1987, is an international agreement to phase out production and use of ozone-depleting substances, including halogenated hydrocarbons also known as Halon. The Montreal Protocol prohibits the manufacture or import of new Halon in all developed countries as of 1 January, 1994. The US Environmental Protection Agency (EPA) has released a regulation banning the intentional release of Halons during repair, testing, and disposal of equipment containing Halons and during technician training. However, the EPA has provided the aviation industry an exemption from their ban on the intentional release of Halon in determining compliance with airworthiness standards. A European regulation⁴ governing substances that deplete the ozone layer was also published, containing initial provisions for Halon phase-out, but also exemptions for critical uses of Halon, including fire-extinguishing in aviation. It should be noted that the exemptions were predicated on the basis that there were, at that time, no suitable alternate agents or systems available for use on commercial transport category aeroplanes.

'Cut-off' dates (i.e. Halon no longer acceptable in new applications for type certification) and 'end' dates (i.e. Halon no longer acceptable for use in aircraft) have been subsequently established by a new regulation in 2010⁵, as presented in Table 4.1 below:

⁴ Regulation (EC) No 2037/2000 of the European Parliament and of the Council of 29 June 2000 on substances that deplete the ozone layer.

⁵ Commission Regulation (EU) No 744/2010 of 18 August 2010 amending Regulation (EC) No 1005/2009 of the European Parliament and of the Council on substances that deplete the ozone layer, with regard to the critical uses of halon (OJ L 218, 19.8.2010, p. 2).

CS-25 BOOK 2

Table 4.1: 'Cut-off' and 'end' dates

Aircraft compartment	Type of extinguisher	Type of Halon	Dates	
			Cut-off	End
Inerting of fuel tanks	Fixed	1301 2402	31 December 2011	31 December 2040
Lavatory waste receptacles	Built-in	1301 1211 2402	31 December 2011	31 December 2020
Dry bays	Fixed	1301 1211 2402	31 December 2011	31 December 2040
Cabins and crew compartments	Hand (portable)	1211 2402	31 December 2014	31 December 2025
Propulsion systems and Auxiliary Power Units	Built-in	1301 1211 2402	31 December 2014	31 December 2040
Normally unoccupied cargo compartments	Built-in	1301 1211 2402	31 December 2018	31 December 2040

2. LAVATORY EXTINGUISHING SYSTEMS AND AGENTS.

Historically, Halon 1301 has been the most widespread agent used in lavatory extinguishing (lavex) systems, to be used in the event of a Class A fire. Any alternative acceptable fire-extinguishing agent meeting the Minimum Performance Standards (MPS) laid down in Appendix D to Report DOT/FAA/AR-96/122 of February 1997, which includes the ability to extinguish a Class A fire and, in case of discharge, does not create an environment that exceeds the chemical agent's 'No Observable Adverse Effect Level' (NOAEL) will be acceptable. Research and testing have shown that there are suitable alternatives to Halon for built-in fire extinguishers in aircraft lavatories meeting the MPS for effectiveness, volume, weight and toxicology. Currently HFC-227ea or HFC-236fa are widely used on large aeroplanes and usually considered acceptable by EASA.

3. HAND FIRE EXTINGUISHERS AND AGENTS.

Historically, Halon 1211 has been the most widespread agent in handheld (portable) fire extinguishers to be used in aircraft compartments and cabins. Minimum Performance Standards (MPS) for the agents are laid down in Appendix A to Report DOT/FAA/AR-01/37 of August 2002, while acceptable criteria to select the fire extinguishers containing said agents are laid down in the FAA Advisory Circular AC 20-42C. Version D of the same AC (published in 2011) would be preferred when the needed supporting guidance material has been released. Three agent alternatives to Halon are presently known meeting the MPS: HFC-227ea, HFC-236fa and HFC Blend B. However, these agents are significantly heavier and occupy a greater volume than Halon 1211. This may indirectly (i.e. additional weight of the fire extinguisher and additional weight of the structures supporting it) increase CO₂ emissions. Furthermore, some of these agents have also been identified as having a global warming potential much higher than Halon. Therefore, further research is underway to develop additional alternatives to Halon 1211 for hand fire extinguishers.

Should an applicant wish to propose, even before the end of 2014, any alternative agent for hand fire extinguishers meeting the mentioned MPS, the EASA will initiate a Certification Review Item addressing the use of such an alternate fire-extinguishing agent.

CS-25 BOOK 2**4. FIRE PROTECTION OF PROPULSION SYSTEMS AND APU.**

Historically, Halon 1301 has been the most widespread agent used in engine nacelles and APU installations to protect against Class B fires. The MPS for agents to be used in these compartments are particularly demanding because of the presence of fuel and other volatile fluids in close proximity to high temperature surfaces, not to mention the complex air flows and the extremely low temperatures and pressures surrounding the nacelles. Various alternatives are being developed (e.g. FK-5-1-12). The FAA has issued "Minimum Performance Standards (MPS) for Halon replacement in fire-extinguishing agents/systems of civil aircraft engine and APU compartments (MPSHRe rev03)" and intends to issue rev04.

Should an applicant wish to propose, even before the end of 2014, any alternative agent for Class B fire extinction in engine or APU compartments, even in the absence of a published MPS, the EASA will initiate a Certification Review Item addressing the use of such an alternate fire-extinguishing agent.

5. FIRE PROTECTION OF CARGO COMPARTMENTS — GASEOUS AGENTS.

MPS for cargo compartment fire suppression systems have already been published in the Report DOT/FAA/AR-00/28 of September 2000. However, to date there are no known and sufficiently developed alternatives to Halon 1301.

Should the EASA be approached with the intent to utilise for the product an alternate agent or alternate gaseous fire-extinguishing system in lieu of a Halon 1301 system, then the recommended approach would be to perform testing on the product which meets the Minimum Performance Standards for that application as developed by the International Halon Replacement Working Group. The International Halon Replacement Working Group was established in October 1993. This group was tasked to work towards the development of minimum performance standards and test methodologies for non-Halon aircraft fire suppression agents/systems in cargo compartments, engine nacelles, handheld extinguishers, and lavatory waste receptacles. The International Halon Replacement Working Group has been expanded to include all system fire protection R&D for aircraft and now carries the name 'International Aircraft Systems Fire Protection Working Group'.

To ensure acceptable means of compliance, the following must be provided:

- a. The test data and gaseous agent distribution profiles which meet the certification criteria as expressed below and in the Minimum Performance Standards as developed by the FAA Technical Center as part of the International Halon Replacement programme. (See paragraph 7 for the listing of the references.)
- b. A system description document that includes a description of the distribution of the gaseous agent under test conditions in the cargo compartment.
- c. A detailed test plan.
- d. Chemical data which describes the agent and any toxicity data.

5.1 Pre-test considerations:

- a. An EASA accepted analyser (for example, Statham-derivative analyser) capable of measuring the agent distribution profile in the form of volumetric concentration is required.
- b. An EASA accepted analyser (for example, Statham-derivative analyser) and associated hardware are configured for the particular application.
- c. The fire suppression system should be completely conformed prior to the test.
- d. The fire extinguisher bottle(s) should be serviced and prepared for the prescribed test(s).

5.2 Test procedures:

- a. Perform the prescribed distribution test in accordance with the test plan approved by the Agency. (See Paragraph 7 in AMC 25.851(b) for guidance on probe placement.)

CS-25 BOOK 2

b. An EASA accepted analyser (for example, Statham-derivative analyser) should record the distribution profile as volumetric concentration for the agent.

5.3 Test result evaluation:

a. Produce the data from the EASA accepted analyser (for example, Statham-derivative analyser) in graphical format. This format should be the volumetric concentration of the agent versus time. A specific percentage of volumetric initial concentration and a specific percentage of volumetric metered concentration for the length of the test duration as determined by previous testing conducted per the established Minimum Performance Standards are required for airworthiness approval of cargo compartment systems.

b. Using the appropriate MPS evaluation criteria, evaluate the distribution profile of the agent for acceptable performance. The acceptability of the test data would be dependent upon the distribution profile and duration exhibited by each probe per (1) above and Paragraph 7 for cargo compartment fire-extinguishing systems.

6. EVALUATION OF ALTERNATE LIQUID AGENT AND FIRE EXTINGUISHING/SUPPRESSION SYSTEMS.

The FAA Technical Center has released a Technical Note (ref. f in paragraph 7 below) that represents the latest Minimum Performance Standards (MPS) for a water spray system. However, as mentioned within the body of the report, additional developmental testing would be needed for the product and the FAA to be approached regarding certification of such a system. Additional testing would be required to demonstrate compliance with an aerosol spray. The Technical Center continues to perform research towards identifying alternate liquid and other fire-extinguishing/suppression systems. Acceptable means of compliance for these immature systems are beyond the scope of this AMC. Future revisions of this AMC will be accomplished as soon as suitable standards are developed for these systems.

If it is proposed to use a liquid fire-extinguishing agent or system for the product, the EASA should be contacted. The EASA will initiate a Certification Review Item addressing the use of an alternate fire-extinguishing agent or system.

7. REFERENCES.

a. Report No FAA-RD-71-68, Fire Extinguishing Methods for New Passenger Cargo Aircraft, dated November 1971.

b. UK Civil Aviation Authority (CAA) Paper 91003, Cargo Bay Fire Suppression, dated March 1991.

c. Report No DOT/FAA/AR-96/5, Evaluation of Large Class B Cargo Compartment's Fire Protection, dated June 1996.

d. Report No DOT/FAA/AR-96/122, Development of a Minimum Performance Standard for Lavatory Trash Receptacle Automatic Fire Extinguishers, dated February 1997.

e. Report No DOT/FAA/AR-00-28, Development of a Minimum Performance Standard for Aircraft Cargo Compartment Gaseous Fire Suppression Systems, dated September 2000.

f. Report No DOT/FAA/AR-TN01/1, Water Spray as a Fire Suppression Agent for Aircraft Cargo Compartment Fires, dated March 2001.

g. Report No DOT/FAA/AR-01/37, Development of a Minimum Performance Standard for Hand-Held Fire Extinguishers as a Replacement for Halon 1211 on Civilian Transport Category Aircraft, dated August 2002.

h. 2010 Report of the UN Halons Technical Options Committee – 2010 Assessment

i. FAA Advisory Circular AC 20-42C, Hand Fire Extinguishers for use in Aircraft, dated 07 March 1984.

j. FAA Advisory Circular AC 20-42D, Hand Fire Extinguishers for use in Aircraft, dated 14 January 2011.

CS-25 BOOK 2

[Amdt. No.: 25/12]

**AMC 25.853
Compartment interiors**

Relevant part of the FAA Advisory Circular 25-17A Transport Airplane Cabin Interiors Crashworthiness Handbook, dated 05/18/09, AC 25.853-1 dated 17/9/86 and AC 25-18 dated 6/1/94 are accepted by the Agency as providing acceptable means of compliance with CS 25.853.

Note: "relevant parts" means "the part of the AC 25-17A that addresses the applicable FAR/CS-25 paragraph".

[Amdt. No.: 25/11]

**AMC 25.856(a)
Thermal/acoustic insulation materials: Flame propagation resistance**

FAA Advisory Circular 25.856-1 Thermal/Acoustic Insulation Flame Propagation Test Method Details, dated 24/06/2005, is accepted by the Agency as providing acceptable means of compliance with CS 25.856(a) and Part VI of Appendix F to CS-25.

[Amdt. No.: 25/6]

**AMC 25.856(b)
Thermal/acoustic insulation materials: Flame penetration (Burnthrough) resistance**

FAA Advisory Circular 25.856-2A Installation of Thermal/Acoustic Insulation for Burnthrough Protection, dated 29/07/2008, is accepted by the Agency as providing acceptable means of compliance with CS 25.856(b) and Part VII of Appendix F to CS-25.

[Amdt. No.: 25/6]

**AMC to CS 25.855 and 25.857
Cargo or baggage compartments****1. PURPOSE**

This Acceptable Means of Compliance (AMC) sets forth an acceptable means, but not the only means, of demonstrating compliance with the provisions of the airworthiness standards for Class B and Class F cargo compartments for large aeroplanes. This AMC provides a rational method for demonstrating that the requirements of the related paragraphs of CS-25 are met and that fires occurring in the compartments can be controlled to ensure that they do not present a hazard to the aeroplane or its occupants. Like all AMC material, this AMC is not, in itself, mandatory and does not constitute a requirement. Terms used in this AMC, such as "shall" and "must," are used only in the sense of ensuring applicability of this particular method of compliance when the acceptable method of compliance described herein is used.

2. RELATED DOCUMENTS**a. Certification Specifications.**

CS 25.851	Fire extinguishers
CS 25.855	Cargo or baggage compartments
CS 25.857	Cargo compartment classification
CS 25.858	Cargo compartment fire detection systems

CS-25 BOOK 2

b. FAA Advisory Circulars (AC).

The following FAA Advisory Circulars are accepted by the Agency as providing acceptable means of compliance with CS 25.857:

AC 25-17A,	Transport Airplane Cabin Interiors Crashworthiness Handbook (relevant parts addressing the applicable FAR Part 25/CS-25 paragraphs)
AC 25-9A,	Smoke Detection, Penetration, and Evacuation Tests and related Flight Manual Emergency Procedures
AC 25-18,	Transport Category Airplanes Modified for Cargo Service
AC 20-42D,	Hand Fire Extinguishers for use in Aircraft
AC 25-22,	Certification of Transport Airplane Mechanical Systems
FAA Order 8150.4,	Certification of Cargo Containers with Self-Contained Temperature Control Systems (Active ULDs)

3 BACKGROUND

CS 25.857(b) and 25.857(f) provide standards for certification of two classes of cargo compartments, Class B and Class F.

A Class B cargo compartment is configured in a manner that allows a crewmember to extinguish or control any fire likely to occur in the compartment using a hand fire extinguisher. While the person combating the fire must have access to the compartment, it must not be necessary for that person to physically enter the compartment to extinguish the fire (see CS 25.857 (b)(1)). The contents of the compartment may be reached by hand or with the contents of a hand extinguisher while standing in the entry door.

A Class F cargo compartment is similar to a Class C compartment in that there are means to extinguish or control the fire without any requirement to enter the compartment.

Both Class B and Class F cargo compartments have fire or smoke detection systems to alert the crew to the presence of the fire

4. COMPARTMENT CLASSIFICATION

All cargo compartments must be properly classified in accordance with CS 25.857 and meet the requirements of CS 25.857 pertaining to the particular class involved (see CS 25.855 (a)).

In order to establish appropriate requirements for fire protection, a system for classification of cargo or baggage compartments was developed and adopted for large aeroplanes.

Classes A, B, and C were initially established; Classes D, E, and F were added later. Class D has been eliminated from the CS-25 specifications (by Amdt 3). The classification is based on the means by which a fire can be detected and the means available to control the fire.

a. A Class A compartment (see CS 25.857(a)) is one that is located so close to the station of a crewmember that the crewmember would discover the presence of a fire immediately. In addition, each part of the compartment is easily accessible so that the crewmember could quickly extinguish a fire with a portable fire extinguisher. A Class A compartment is not required to have a liner.

b. A Class B compartment (see CS 25.857(b)) is one that is more remote than a Class A compartment and must, therefore, incorporate a fire or smoke detection system to give warning at the pilot or flight engineer station. Because a fire would not be detected and extinguished as quickly as in a Class A compartment, a Class B compartment must have a liner in accordance with CS 25.855 (b). In flight, a crewmember must have sufficient access to a Class B compartment to reach any part of the compartment by hand or with the contents of a hand extinguisher when standing at any one access point, without stepping into the compartment. There are means to ensure that, while the access provisions are being used, no hazardous quantity of smoke, flames, or extinguishing agent will enter areas occupied by the crew or passengers.

CS-25 BOOK 2

c. A Class C compartment (see CS 25.857(c)) differs from a Class B compartment in that it is not required to be accessible in flight and must, therefore, have a built-in fire-extinguishing system to suppress or control any fire. A Class C compartment must have a liner and a fire or smoke detection system in accordance with CS 25.855 (b) and CS 25.857(c)(1). There must also be means to exclude hazardous quantities of extinguishant and products of combustion from occupied areas (see CS 25.857(c)(3)).

d. A Class E compartment (see CS 25.857(e)) is found on an all-cargo aeroplane. Typically, a Class E compartment is the entire cabin of an all-cargo aeroplane; however, other compartments of such aeroplanes may be also classified as Class E compartments. Shutting off the ventilating airflow to or within the compartment controls a fire in a Class E compartment. A Class E compartment must have a liner (see CS 25.855 (b)) and a fire or smoke detection system installed in accordance with CS 25.857(e)(2). It is not required to have a built-in fire suppression system.

e. A Class F compartment (see CS 25.857 (f)) is one in which there are means to control or extinguish a fire without requiring a crewmember to enter the compartment. Allowing access by a crewmember in the presence of a fire warning is not envisioned. Class F compartments that include a built-in fire extinguisher/suppression system or require the use of acceptable fire containment covers (FCCs) would meet these requirements. The Class F compartment must have a fire or smoke detection system installed in accordance with CS 25.857(f)(1). Unless there are other means of containing the fire and protecting critical systems and structure, a Class F compartment must have a liner meeting the requirements of part III of Appendix F , or other approved equivalent methods (see CS 25.855 (b)).

It is not envisaged that lower deck cargo compartments be approved as Class F cargo compartments. The Class F cargo compartment was introduced as a practicable and safe alternative to the previous practice of providing large Class B cargo compartments. These latter compartments were limited to the main deck for accessibility reasons. Lower deck cargo compartments in aircraft carrying passengers need to comply with the Class C cargo compartment requirements of CS25.857(c).

5. FIRE PROTECTION FEATURES

Based on the class of the compartment, fire protection features must be provided. The fire protection features must be shown to meet the standards established by the original type certification basis for the aeroplane or later CS-25 standards. These features may include liners, fire or smoke detection systems, hand fire extinguishers, and built-in fire suppression systems.

a. Liners

The primary purpose of a liner is to prevent a fire originating in a cargo compartment from spreading to other parts of the aeroplane before it can be brought under control. For Class B compartments, it is assumed that the fire will be quickly extinguished. Therefore, the liner does not need to be qualified to the requirements of Part III of Appendix F. For Class F cargo compartments, the fire might have grown larger prior to being suppressed, and therefore, better protection is needed to prevent damage to surrounding systems and structure. However, the liner does not need to serve as the compartment seal. It should be noted, however, that the liner is frequently used to perform the secondary functions of containing discharged extinguishing agent and controlling the flow of oxygen into the compartment. If other means, such as compartment walls, are not capable of performing those functions, the liner must be sufficiently airtight to perform them.

The liner must have sufficient fire integrity to prevent flames from burning through the liner before the fire can be brought under control and the heat from the fire is sufficiently dissipated. As stated in Part III of Appendix F, in addition to the basic liner material, the term "liner" includes any design feature, such as a joint or fastener that would affect the capability of the liner to safely contain a fire.

b. Access

(1) Class B. Class B compartments must provide sufficient accessibility to enable a crew member to reach any part of the compartment by hand or with the contents of a hand extinguisher without

CS-25 BOOK 2

physically entering the compartment. This requirement, by its nature, tends to limit the size and shape of the compartment. Additionally, the access provisions should be sufficiently large to enable the crewmember to determine visually that a fire has been extinguished. Access is also a function of how the compartment is configured rather than just dimension and/or volume. In determining access, it would not be acceptable for there to be a need to pull baggage or cargo on to the floor of the passenger compartment to gain access to the seat of the fire. Such action may introduce a safety hazard to the passengers.

"To reach any part of the compartment" means that the crewmember should be able to open the door or hatch and, standing in the opening, reach by hand anywhere in the compartment where cargo or baggage can be located. The extension of the crewmember's reach through the use of fire extinguisher wands, etc., should not be considered in determining reach.

Based on the estimated reach of a 95 percentile male, the outline of any compartment, viewed from above, should fit within a vertical cylinder of radius 132 cm (52 inches) measured from the centreline of the access door or hatch (see Figure 1). This dimension assumes the above male can reach a one foot square box located anywhere within the compartment. Access by a smaller crewmember to reach the same area within the compartment could require that the crewmember move laterally within the access door or hatch opening, while not physically entering the compartment.

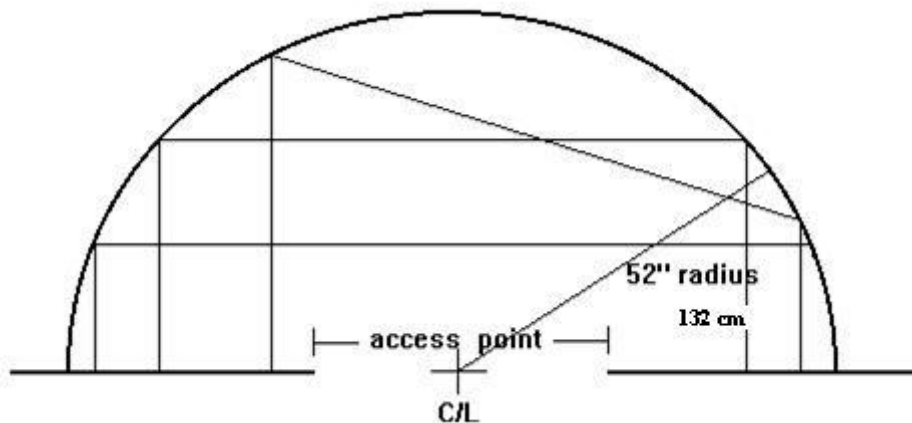


Figure 1

Example of possible cargo compartment shapes within 132 cm (52 inches) reach from access point centreline.

(2) Class F. In the case of a Class F compartment, a means should be provided to control or extinguish a fire without a crewmember entering the compartment.

One means is to design the compartment to Class C requirements but not include a built-in fire suppression system. One suppression method might be to utilize a plumbing and nozzle distribution system within the compartment that would provide acceptable suppression capability throughout the volume of the compartment. The source for such a system could be hand fire extinguishers, which interface with the distribution system through a suitable interface nozzle. This reduces the complexity and costs associated with a built-in suppression system and could be suitable for smaller compartments. For certification purposes, the extinguishing agent concentration should be measured in flight, following aeroplane flight manual (AFM) procedures, and the length of protection time afforded by the system should be recorded. This time of protection should be used to establish AFM limitations for cargo or baggage compartment fire protection times. The operator, for route planning, could then use these times. For Halon 1301 fire-extinguishing agent, a minimum five percent concentration by volume at all points in the compartment is considered adequate for initial knock-down of a fire, and a three percent concentration by volume at all points in the compartment is considered the minimum for controlling a fire after it is knocked down. This option requires the use of a liner as stated in CS 25.855 (b).

CS-25 BOOK 2

Another means of providing fire protection in a Class F compartment might be the use of cargo containers or fire containment covers (FCCs) shown to be capable of containing a fire. Some FCCs have already been developed and are typically constructed of woven fibreglass-based materials that will pass the oil burner test requirements of Part III of Appendix F.

This is in line with the revised CS 25.855 which for a Class F cargo or baggage compartment not using FCCs requires a ceiling and sidewall liner constructed of materials that meet the requirements of Part III of Appendix F and be separated from the aeroplane structure (except for attachments), while the floor panels must comply with Part I of Appendix F.

Similarly, if FCCs are proposed as a means of compliance for the new Class F compartment, it is likely that in order to meet the intent they must also meet these standards (i.e. Part III of Appendix F for the sides and top and Part I of Appendix F for the bottom). However, based on full scale qualification testing there is evidence that alternative materials, not fully in compliance with Part III of Appendix F, might also be acceptable for FCC side and top portions, as long as they are successfully tested and meet the intent of the rule.

It is recommended that the Agency be contacted for concurrence when FCC or Container qualification is envisaged in order to address the relevant test method.

Unless evidence can be presented to support a different design, if FCCs are used as a means of compliance, they should completely surround all cargo, including underneath the cargo, except for obviously non-flammable items, such as metal stock, machinery, and non-flammable fluids without flammable packaging. Because the fire is controlled or extinguished within the isolated compartment, but is separated from the actual cargo compartment boundaries, the cargo compartment liner requirements of CS 25.855(c) would not apply. However, the effects of the heat generated by the contained/covered fire should be evaluated to ensure that adjacent systems and structure are not adversely affected. For certification purposes, test data with the actual design configuration and possible fire sources would have to be provided. The temperature and heat load time history measurements at various locations above, around and below the FCC are needed to ensure the continued safe function of adjacent systems and structure. The time history data should be used to establish the length of protection time afforded by the system and subsequent AFM limitations for cargo or baggage compartment fire protection times. The operator would then use these times for route planning purposes.

Class F cargo compartment designs which rely on fire containment, e.g. fire hardened containers/pallets and/or FCCs (placed over palletised loads or non-fire hardened containers) should be considered in regards to the possibility of incorrect usage.

All practicable means to prevent the carriage of cargo in standard containers or pallets (if special pallets are required) and/or the omission of FCCs should be incorporated. Means may include, but not be limited to, physical features at the container/pallet to cargo compartment floor interface or operational procedures such as requiring aircraft crew verification of cargo loading before every flight or a suitable detection system that would warn the crew in the event a non authorized cargo configuration has been loaded.

c. Extinguishing Agent.

In order to effectively extinguish or control a fire in a Class B or F cargo or baggage compartment, sufficient fire-extinguishing agent must be allocated. Guidance on this topic is contained in FAA AC 20-42D. This guidance material is accepted by the Agency as addressing how to implement the provisions of CS 25.851(a) that require that at least one hand fire extinguisher be located in the pilot compartment, at least one readily accessible hand fire extinguisher be available for use in each Class A or Class B cargo/baggage compartment and in each accessible Class E or Class F cargo/baggage compartment, and one or more hand fire extinguishers be located in the passenger compartment for aeroplanes with a passenger seating capacity of 7 or more.

CS-25 BOOK 2**d. Fire Control.**

"To control a fire" (CS 25.857(f)(2)) implies that the fire does not grow to a state where damage to the aeroplane or harm to the passengers or crew occurs during the time for which the fire protection system is demonstrated to be effective (ie, from the time a fire is detected to the time when an emergency evacuation from the aeroplane can be completed). This in turn implies that critical aeroplane systems and structure are not adversely affected and the temperature and air contaminants in areas occupied by passengers and crew do not reach hazardous levels.

(1) Adequate protection should be provided for cockpit voice and flight data recorder and wiring, windows, primary flight controls (unless it can be shown that a fire cannot cause jamming or loss of control), and other systems and equipment within the compartment that are required for safe flight and landing.

(2) Regardless of a compartment's classification, it must be demonstrated that hazardous quantities of smoke, flames, extinguishing agent, or noxious gases do not enter any compartment occupied by passengers or crewmembers. FAA Advisory Circular 25-9A, Smoke Detection, Penetration, and Evacuation Tests and Related Flight Manual Emergency Procedures, provides guidance concerning smoke penetration testing.

(3) If an aeroplane has one or more Class B cargo compartments, portable protective breathing equipment must be provided for the appropriate crewmembers in accordance with CS 25.1439.

(4) Additional protective breathing equipment or breathing gas supply, and additional fire extinguishers, may be required for Class B cargo compartment operation to ensure that the fire can be controlled for the time the aeroplane is expected to be in the air after onset of a fire.

6 PROCEDURES AND LIMITATIONS

a. To ensure that the contents of Class B and F compartments are either accessible or located such as to allow firefighting, any cargo or baggage loading limitations and any operational limitations or procedures provided must be identified with placards in the compartment. The loading and operational limitations must also be addressed in the appropriate weight and balance or loading document.

b. Any operational limitations or procedures necessary to ensure the effectiveness of the fire protection system for Class B and Class F cargo and baggage compartments should be clearly defined in the AFM. This should include such items as any changes to the ventilation system to prevent the entrance of smoke or gases into occupied areas, use of hand fire extinguishers, use of protective breathing equipment, use of protective clothing, and use of the FCCs. The certification engineers should work closely with the Agency to ensure that additional training necessary for crewmembers assigned to combat fires is adequately addressed.

c. Any time limit for a cargo or baggage compartment fire protection system, or other conditions or procedures related to combating a fire in a compartment, should be clearly defined in the AFM.

7. AFM CONSIDERATIONS.

a. Crewmember(s) designated to combat a fire in a Class B compartment will need special training. Fires occurring in luggage are difficult to extinguish completely and rekindling may occur. Crewmembers designated to combat fires in Class B compartments should be trained to check periodically to ensure that a fire has not grown back to hazardous proportions.

b. Aeroplane flight manuals should contain instructions to land at the nearest suitable airport following smoke/fire detection, unless it can be positively determined that the fire is extinguished.

CS-25 BOOK 2

c. Any limitations regarding occupancy of Class B and Class F compartments during flight, or during takeoff and landing, should be defined in the AFM.

d. Any loading restrictions associated with access to cargo or baggage or special containers should be clearly identified in the AFM. This would include, but not be limited to, placement of luggage in a Class B compartment or identification of special containers or covers associated with fire protection in a Class F compartment. If covers are used in conjunction with a Class F cargo compartment, they should be easy to install and sufficiently durable to withstand in-service conditions.

[Amdt. No.: 25/8]

[Amdt. No.: 25/11]

[Amdt. No.: 25/12]

**AMC 25.863(a)
Flammable fluid fire protection**

The cooling air supply for any electrical or electronic equipment should be conveyed and discharged so as not to create a hazard following failure of the equipment.

NOTE: Where necessary the cooling duct should be fireproof.

Zones with surfaces which may be exposed to flammable fluids or vapours should be ventilated if the temperature of the surfaces may exceed (under normal or failure conditions) a dangerous value with regard to these fluids or vapours. Unless a higher value can be substantiated, a temperature exceeding 200°C is considered dangerous.

**AMC 25.869(a)(1)
Electrical System Fire and Smoke Protection**

These requirements, and those of CS 25.863 applicable to electrical equipment, may be satisfied by the following:

1 Electrical components in regions immediately behind firewalls and in engine pod attachment structures should be of such materials and at such a distance from the firewall that they will not suffer damage that could hazard the aeroplane if the surface of the firewall adjacent to the fire is heated to 1100°C for 15 minutes.

2 Electrical equipment should be so constructed and/or installed that in the event of failure, no hazardous quantities of toxic or noxious (e.g. smoke) products will be distributed in the crew or passenger compartments.

3 Electrical equipment, which may come into contact with flammable vapours should be so designed and installed as to minimise the risk of the vapours exploding under both normal and fault conditions. This can be satisfied by meeting the Explosion Proofness Standards of RTCA DO-160/EUROCAE ED-14.

**AMC 25.869(c)
Fire Protection for Oxygen Equipment**

1 High-pressure shut-off valves should be designed to provide effective slow opening and closing, so as to avoid the possible risk of fire or explosion.

2 Re-charging systems, if installed, should be provided with means to prevent excessive rates of charging which could result in dangerously high temperatures within the system. The charging system should also provide protection from contamination.

CS-25 BOOK 2

3 The compartments in which high-pressure system components, including source(s) are located should have adequate ventilation to ensure the rapid dilution of leaked oxygen. Such compartments should also provide adequate protection against contamination by liquids and other products which could result in the risk of fire.

4 Where in-situ charging facilities are provided, the compartments in which they are located should be accessible from outside the aircraft and as remote as possible from other service points and equipment. Placards should be provided, located adjacent to the servicing point, with adequate instructions covering the precautions to be observed when the system is being charged.

5 The installation of the system should be such that components and pipe lines –

- a. Are adequately separated from electrical and fluid systems,
- b. Are routed so as to minimise joints and sharp bends,
- c. Are clear of moving controls and other mechanisms,
- d. Are protected against grease or other lubricants, and are protected against the effects of vibration.

In addition, joints should where possible, be assembled dry, but where compounds are used for sealing they should be approved for that purpose.

6 Where the oxygen is supplied from chemical generators, the effects of heat emission, during both normal and inadvertent operation, on both the installation and other adjacent equipment, should be taken into account.

AMC 25.899**Electrical Bonding and Protection Against Static Electricity**

1 Protection against Lightning Discharges.

Refer to CS 25.581; 25.954; 25.1316 and associated Acceptable Means of Compliance.

2 Characteristics of Lightning Discharges.

Refer to EUROCAE document ED-84 (including Amendment N°1 dated 06/09/99) titled : Aircraft Lightning Environment and Related Test Waveforms; or equivalent SAE ARP5412 document.

3 *Protection against the Accumulation of Static Charges*

3.1 *General.* All items, which by the accumulation and discharge of static charges may cause a danger of electrical shock, ignition of flammable vapours or interference with essential equipment (e.g. radio communications and navigational aids) should be adequately bonded to the main earth systems.

3.2 *Intermittent Contact.* The design should be such as to ensure that no fortuitous intermittent contact can occur between metallic and/or metallized parts.

3.3 *High Pressure Refuelling and Fuel Transfer.* Where provision is made for high pressure refuelling and/or for high rates of fuel transfer it should be established, by test, or by consultation with the appropriate fuel manufacturers, that dangerously high voltages will not be induced within the fuel system. If compliance with this requirement involves any restriction on the types of fuel to be used or on the use of additives, this should be established.

CS-25 BOOK 2

3.3.1 With standard refuelling equipment and standard aircraft turbine fuels, voltages high enough to cause sparking may be induced between the surface of the fuel and the metal parts of the tank at refuelling flow velocities above approximately 7 meters/second (23 feet/second). These induced voltages may be increased by the presence of additives and contaminants (e.g. anti-corrosion inhibitors, lubricating oil, free water), and by splashing or spraying of the fuel in the tank.

3.3.2 The static charge can be reduced as follows:

- a. By means taken in the refuelling equipment such as increasing the diameter of refuelling lines and designing filters to give the minimum of electrostatic charging, or
- b. By changing the electrical properties of the fuel by the use of anti-static additives and thus reducing the accumulation of static charge in the tank to negligible amount.

3.3.3 The critical refuelling rates are related to the aeroplane refuelling installations, and the designer should seek the advice of fuel suppliers on this problem.

4 Primary and Secondary Bonding Paths.

(Reference : CS 25.581; 25.899, 25.954; 25.1316; 25.1353; 25.1360.)

4.1 Primary bonding paths are those paths which are required to carry lightning discharge currents. These paths should be of as low an electrical impedance as is practicable. Secondary bonding paths are those paths provided for other forms of bonding.

4.2 Where additional conductors are required to provide or supplement the inherent primary bonding paths provided by the structure or equipment, then the cross-sectional area of such primary conductors made from copper should be not less than 3 mm² except that, where a single conductor is likely to carry the whole discharge from an isolated section, the cross-sectional area would be not less than 6 mm². Aluminium primary conductors should have a cross-sectional area giving an equivalent surge carrying capacity.

4.3 Primary bonding paths should be used for –

- a. Connecting together the main earths of separable major components which may carry lightning discharges,
- b. Connecting engines to the main earth,
- c. Connecting to the main earth all metal parts presenting a surface on or outside of the external surface of the aeroplane, and
- d. Conductors on external non-metallic parts.

4.4 Where additional conductors are required to provide or supplement the inherent secondary bonding paths provided by the structure or equipment then the cross-sectional area of such secondary conductors made from copper should be not less than 1 mm². Where a single wire is used its size should be not less than 1.2 mm diameter.

5 *Resistance and Continuity Measurements.* Measurements should be made to determine the efficacy of the bonding and connection between at least the following:

5.1 *Primary Bonding Paths*

5.1.1 The extremities of the fixed portions of the aeroplane and such fixed external panels and components where the method of construction and/or assembly leads to doubt as to the repeatability of the bond, e.g. removable panels.

5.1.2 The engines and the main aeroplane earth.

CS-25 BOOK 2

- 5.1.3 External movable metal surfaces or components and the main aeroplane earth.
- 5.1.4 The bonding conductors of external non-metallic parts and the main aeroplane earth.
- 5.1.5 Internal components for which a primary bond is specified and the main aeroplane earth.

5.2 *Secondary Bonding Paths*

- 5.2.1 Metallic parts, normally in contact with flammable fluids, and the main aeroplane earth.
- 5.2.2 Isolated conducting parts subject to appreciable electrostatic charging and the main aeroplane earth.
- 5.2.3 Electrical panels and other equipment accessible to the occupants of the aeroplane and the main aeroplane earth.
- 5.2.4 Earth connections, which normally carry the main electrical supply and the main aeroplane earth. The test on these connections should be such as to ensure that the connections can carry, without risk of fire or damage to the bond, or excessive volt drop, such continuous normal currents and intermittent fault currents as are applicable.
- 5.2.5 Electrical and electronic equipment and the aeroplane main earth, where applicable, and as specified by the aeroplane constructor.

- 5.2.6 Static discharger wicks and the main aeroplane structure.

6 *Electrical Properties of Composite Structure*

6.1 In the case of lightning protection, for the partial conductors the method of surface protection will vary with the criticality of the structure in question. Deterioration of the means of protection or possible hidden damage to the material which may affect its structural integrity, need to be considered. While such materials provide a measure of electro-magnetic screening, the need for additional measures will be a function of the location of the material in relation to critical equipment and wiring in the aircraft. Particular attention will also have to be given to the protection required near fuel systems – e.g. fuel tanks.

For non-conducting materials which have no intrinsic lightning protection or screening properties, the measures taken will again depend on the relative locations of the material and critical systems or fuel and the possible loss of the components due to internal air pressures in the event of a strike.

6.2 The partial conducting materials should present no problem in dissipating P-static but problems can arise with the non-conductors. Depending upon the location of the material, protection may be required.

6.3 Electrical currents, other than lightning, can flow in some partial conducting materials and means may be required to limit this by provision of alternative current paths if the effect of large voltage drop is important or if such currents can damage the material.

6.4 Particular care has to be taken that all joints, permanent and temporary, are capable of carrying any currents which may flow particularly those resulting from lightning strikes. Structural damage and loss of screening capabilities may occur if these are not adequately controlled.

6.5 The adequacy of the material in supplying a ground plane for antenna may have to be considered. Again it will vary with the material and the radio frequency of the system.

CS-25 BOOK 2**AMC – SUBPART E****AMC 25.901(b)(2)****Assembly of Components**

The objectives of CS 25.671(b) should be satisfied with respect to powerplant systems, where the safety of the aeroplane could otherwise be jeopardised.

AMC 25.901(b)(4)**Electrical Bonding**

Where the engine is not in direct electrical contact with its mounting, the engine should be electrically connected to the main earth system by at least two removable primary conductors, one on each side of the engine.

AMC 25.901(c)**Safety Assessment of Powerplant Installations****1. PURPOSE**

This Acceptable Means of Compliance (AMC) describes an acceptable means for showing compliance with the requirements of CS 25.901(c). This document describes a method of conducting a “System Safety Assessment” of the powerplant installation as a means for demonstrating compliance. This guidance is intended to supplement the engineering and operational judgement that must form the basis of any compliance findings. The guidance provided in this document is meant for aeroplane manufacturers, modifiers, foreign regulatory authorities, and EASA Large Aeroplane type certification engineers. Like all AMC material, this AMC is not, in itself, mandatory, and does not constitute a requirement. It is issued to describe an acceptable means, but not the only means, for demonstrating compliance with the powerplant installation requirements for Large Aeroplanes. Terms such as “shall” and “must” are used only in the sense of ensuring applicability of this particular method of compliance when the acceptable method of compliance described in this document is used.

2. RELATED CERTIFICATION SPECIFICATIONS.

CS 25.571, CS 25.901, CS 25.903, CS 25.933, CS 25.1309, and CS 25.1529; CS E-50 and E-510, CS P-150 and P-230.

3. APPLICABILITY.

The guidance provided in this document applies to powerplant installations on Large Aeroplanes that are subject to the requirements of CS 25.901. This guidance specifically concerns demonstrating compliance with the requirements of CS 25.901(c), which states:

- “(c) The powerplant installation must comply with CS 25.1309, except that the effects of the following need not comply with CS 25.1309(b):
- (1) Engine case burn through or rupture;
 - (2) Uncontained engine rotor failure; and
 - (3) Propeller debris release.”

CS 25.901(c) is intended to provide an overall safety assessment of the powerplant installation that is consistent with the requirements of CS 25.1309, while accommodating unique powerplant installation compliance policies. It is intended to augment rather than replace other applicable CS-25 design and performance standards for Large Aeroplanes.

CS-25 BOOK 2

In accommodating unique policies related to powerplant compliance, EASA has determined that specific guidance relative to demonstrating compliance with CS 25.1309(b) is needed; such guidance is contained in this AMC. (No unique compliance requirements for CS 25.1309(a) and (c) are required for powerplant installations.)

Wherever this AMC indicates that compliance with other applicable requirements has been accepted as also meeting the intent of CS 25.901(c) for a specific failure condition, no additional dedicated safety analysis is required. Where this AMC may conflict with AMC 25.1309 (“System Design and Analysis”), this AMC shall take precedence for providing guidance in demonstrating compliance with CS 25.901(c).

When assessing the potential hazards to the aircraft caused by the powerplant installation, the effects of an engine case rupture, uncontained engine rotor failure, engine case burn-through, and propeller debris release are excluded from CS 25.901(c)/CS 25.1309. The effects and rates of these failures are minimised by compliance with CS-E, Engines; CS-P, Propellers; CS 25.903(d)(1), CS 25.905(d), and CS 25.1193.

Furthermore, the effects of encountering environmental threats or other operating conditions more severe than those for which the aircraft is certified (such as volcanic ash or operation above placard speeds) need not be considered in the CS 25.901(c)/CS 25.1309 compliance process. However, if a failure or malfunction can affect the subsequent environmental qualification or other operational capability of the installation, this effect should be accounted for in the CS 25.901(c)/CS 25.1309 assessment.

The terms used in this AMC are intended to be identical to those used in AMC 25.1309.

4. BACKGROUND.

JAR-25 was the Joint Aviation Authorities Airworthiness Code for Large Aeroplanes. It was developed from the U.S. Federal Aviation Regulations Part 25 (FAR 25) during the 1970s. Early versions (Changes) of JAR-25 consisted of only the differences from FAR 25.

In 1976, JAR-25 Change 3 was published and introduced, for the first time, requirement JAR 25.1309 and ACJ Nos. 1 to 7 to JAR 25.1309. Requirement JAR 25.1309 was almost the same as the (then) existing FAR regulation (Amdt. 25-37), but the advisory material given in the ACJ provided interpretation of and acceptable means of compliance with, the requirement. Specific advice was given on how to show that the inverse relationship existed between the criticality of the Failure Condition and its probability of occurrence.

JAR-25, Change 3, did not include any specific JAR-25 requirement for powerplant installation safety assessment and so FAR 25.901(c) was also valid for JAR-25. FAR 25.901(c) text (Amdt. 25-23, Effective 8 May 1970) stated:

“25.901 Installation

(c) The powerplant installation must comply with § 25.1309”.

At Change 4 of JAR-25, effective 19 July 1978, JAR 25.901(c) was introduced using the same FAR 25 words as shown above (viz.):

“JAR 25.901 Installation

(c) The power-plant installation must comply with JAR 25.1309.”

However, at about that time, the FAA had been reviewing a proposal to revise FAR 25.901(c), to introduce the wording “... no single failure or probable combination ...”. This revised text was introduced at Amdt. 25-40, effective 2 May 1977.

CS-25 BOOK 2

The revisions introduced by Amdt. 25-40 were reviewed by the JAR-25 Study Groups and in two letters (Refs.: JAR/JET/2416/BT dated 21 July 1977 and JAR/JET/2467/BT dated 21 October 1977), the JAR-25 Powerplant Study Group recommended that, for JAR 25.901(c), the text should remain the same as the pre-Amdt. 25-40 version of FAR 25.901(c).

Since that time, JAR 25.901(c) and CS 25.901(c) have continued to refer to JAR / CS 25.1309 and for EASA/JAA, powerplant installations have been treated in the same way as for other aircraft systems when assessing the effects of failures and malfunctions.

One traditional exception to this has been the assessment of hazards resulting from an engine rotor failure. Previous ACJ No. 1 to JAR 25.1309 allowed for an explicit exception to the quantitative objective for a given catastrophic failure condition, for cases where the state of the art does not permit it to be achieved. This is the case for engine rotor failure and the 'minimisation of hazard' requirement of CS 25.903(d)(1) has been used instead of CS 25.1309 to cover this risk.

5. GENERAL SYSTEM SAFETY ASSESSMENT GUIDANCE.

Compliance with CS 25.901(c)/CS 25.1309 may be shown by a System Safety Assessment (SSA) substantiated by appropriate testing and/or comparable service experience. Such an assessment may range from a simple report that offers descriptive details associated with a failure condition, interprets test results, compares two similar systems, or offers other qualitative information; to a detailed failure analysis that may include estimated numerical probabilities.

The depth and scope of an acceptable SSA depend on:

- the complexity and criticality of the functions performed by the system(s) under consideration,
- the severity of related failure conditions,
- the uniqueness of the design and extent of relevant service experience,
- the number and complexity of the identified causal failure scenarios, and
- the detectability of contributing failures.

The SSA criteria, process, analysis methods, validation and documentation should be consistent with the guidance material contained in AMC 25.1309. Wherever there is unique guidance specifically for powerplant installations, this is delineated in Section 6, below.

In carrying out the SSA for the powerplant installation for CS 25.901(c)/CS 25.1309, the results of the engine (and propeller) failure analyses (reference CS P-150 and CS E-510) should be used as inputs for those powerplant failure effects that can have an impact on the aircraft. However, the SSA undertaken in response to CS-E and CS-P may not address all the potential effects that an engine and propeller as installed may have on the aircraft.

For those failure conditions covered by analysis under CS-E and CS-P, and for which the installation has no effect on the conclusions derived from these analyses, no additional analyses will be required to demonstrate compliance to CS 25.901(c)/CS 25.1309.

The effects of structural failures on the powerplant installation, and vice versa, should be carefully considered when conducting system safety assessments:

- a. Effects of structural failures on powerplant installation. The powerplant installation must be shown to comply with CS 25.901(c) following structural failures that are anticipated to occur within the fleet life of the aeroplane type. This should be part of the assessment of powerplant installation failure condition causes.

Examples of structural failures that have been of concern in previous powerplant installations are:

CS-25 BOOK 2

- (1) Thrust reverser restraining load path failure that may cause a catastrophic inadvertent deployment.
 - (2) Throttle quadrant framing or mounting failure that causes loss of control of multiple engines.
 - (3) Structural failures in an avionics rack or related mounting that cause loss of multiple, otherwise independent, powerplant functions/components/systems.
- b. Effects of powerplant installation failures on structural elements. Any effect of powerplant installation failures that could influence the suitability of affected structures, should be identified during the CS 25.901(c) assessment and accounted for when demonstrating compliance with the requirements of CS-25, Subpart C ("Structure") and D ("Design and Construction"). This should be part of the assessment of powerplant installation failure condition effects.

Some examples of historical interdependencies between powerplant installations and structures include:

- (1) Fuel system failures that cause excessive fuel load imbalance.
- (2) Fuel vent, refuelling, or feed system failures that cause abnormal internal fuel tank pressures.
- (3) Engine failures that cause excessive loads/vibration.
- (4) Powerplant installation failures that expose structures to extreme temperatures or corrosive material.

6. SPECIFIC CS 25.901(c) SYSTEM SAFETY ASSESSMENT GUIDANCE.

This section provides compliance guidance unique to powerplant installations.

- a. Undetected Thrust Loss. The SSA discussed in Section 5 should consider undetected thrust loss and its effect on aircraft safety. The assessment should include an evaluation of the failure of components and systems that could cause an undetected thrust loss, except those already accounted for by the approved average-to-minimum engine assessment.

- (1) In determining the criticality of undetected thrust losses from a system design and installation perspective, the following should be considered:

- (i) Magnitude of the thrust loss,*
- (ii) Direction of thrust,
- (iii) Phase of flight, and
- (iv) Impact of the thrust loss on aircraft safety.

(*Although it is common for safety analyses to consider the total loss of one engine's thrust, a small undetected thrust loss that persists from the point of take-off power set could have a more significant impact on the accelerate/stop distances and take-off flight path/obstacle clearance capability than a detectable single engine total loss of thrust failure condition at V_1)

- (2) In addition, the level at which any thrust loss becomes detectable should be validated. This validation is typically influenced by:

- (i) Impact on aircraft performance and handling,
- (ii) Resultant changes in powerplant indications,
- (iii) Instrument accuracy and visibility,
- (iv) Environmental and operating conditions,
- (v) Relevant crew procedures and capabilities, etc.

- (3) Reserved.

CS-25 BOOK 2

b. Detected Thrust Loss. While detectable engine thrust losses can range in magnitude from a few percent to 100% of total aircraft thrust, the total loss of useful thrust (in-flight shutdown/IFSD) of one or more engines usually has the largest impact on aircraft capabilities and engine-dependent systems. Furthermore, single and multiple engine IFSD's tend to be the dominant thrust loss-related failure conditions for most powerplant installations. In light of this, the guidance in this AMC focuses on the IFSD failure conditions. The applicant must consider other engine thrust loss failure conditions, as well, if they are anticipated to occur more often than the IFSD failure condition, or if they are more severe than the related IFSD failure condition.

(1) **Single Engine IFSD.** The effects of any single engine thrust loss failure condition, including IFSD, on aircraft performance, controllability, manoeuvrability, and crew workload are accepted as meeting the intent of CS 25.901(c) if compliance is also demonstrated with:

- CS 25.111 ("Take-off path"),
- CS 25.121 ("Climb: one-engine-inoperative"), and
- CS 25.143 ("Controllability and Manoeuvrability -- General").

(i) Nevertheless, the effects of an IFSD on other aircraft systems or in combination with other conditions also must be assessed as part of showing compliance with CS 25.901(c)/CS 25.1309. In this case, it should be noted that a single engine IFSD can result from any number of single failures, and that the rate of IFSD's range from approximately 1×10^{-4} to 1×10^{-5} per engine flight hour. This rate includes all failures within a typical powerplant installation that affect one -- and only one -- engine. Those failures within a typical powerplant that can affect more than one engine are described in Section 6.b.(2), below.

(ii) If an estimate of the IFSD rate is required for a specific turbine engine installation, any one of the following methods is suitable for the purposes of complying with CS 25.901(c)/CS 25.1309(b):

- (A) Estimate the IFSD rate based on service experience of similar powerplant installations;
- (B) Perform a bottom-up reliability analysis using service, test, and any other relevant experience with similar components and/or technologies to predict component failure modes and rates; or
- (C) Use a conservative value of 1×10^{-4} per flight hour.

(iii) If an estimate of the percentage of these IFSD's for which the engine is restartable is required, the estimate should be based on relevant service experience.

(iv) The use of the default value delineated in paragraph 6.b.(1)(ii)(C) is limited to traditional turbine engine installations. However, the other methods (listed in 6.b.(1)(ii)(A) and (B), above) are acceptable for estimating the IFSD rates and restartability for other types of engines, such as some totally new type of engine or unusual powerplant installation with features such as a novel fuel feed system. In the case of new or novel components, significant non-service experience may be required to validate the reliability predictions. This is typically attained through test and/or technology transfer analysis.

(v) Related issues that should be noted here are:

- (A) CS 25.901(b)(2) sets an additional standard for installed engine reliability. This requirement is intended to ensure that all technologically feasible and economically practical means are used to assure the continued safe operation of the powerplant installation between inspections and overhauls.

CS-25 BOOK 2

(B)The effectiveness of compliance with CS 25.111, CS 25.121 and CS 25.143 in meeting the intent of CS 25.901(c) for single engine thrust loss is dependent on the accuracy of the human factors assessment of the crew's ability to take appropriate corrective action. For the purposes of compliance with CS 25.901(c) in this area, it may be assumed that the crew will take the corrective actions called for in the aeroplane flight manual procedures and associated approved training.

(2) **Multiple Engine IFSD.** Typical engine IFSD rates may not meet the AC 25.1309-1B guidance that calls for 1×10^{-9} per hour for a catastrophic multiple engine IFSD. However, engine IFSD rates been part of the historically-accepted service experience upon which that guidance was based, and these IFSD rates are continuously improving. Consequently:

(i) Current typical turbine engine IFSD rates, and the resulting possibility of multiple independent IFSD's leading to a critical power loss, are considered inherently acceptable for compliance with CS 25.901(c) without the need for quantitative assessment.

(ii) Nevertheless, some combinations of failures within aircraft systems common to multiple engines may cause a catastrophic multiple engine thrust loss. These should be assessed to ensure that they meet the extremely improbable criteria. Systems to be considered include:

- fuel system,
- air data system,
- electrical power system,
- throttle assembly,
- engine indication systems, etc.

(iii)The means of compliance described above is only valid for turbine engines, and for engines that can demonstrate equivalent reliability to turbine engines, using the means outlined in Section 6.a. of this AMC. The approach to demonstrating equivalent reliability should be discussed early in the program with the Agency on a case-by-case basis.

c. Automatic Take-off Thrust Control System. CS-25, Appendix I ["Automatic Take-off Thrust Control System (ATTCS)"], specifies the minimum reliability levels for these automatic systems. In addition to showing compliance with these reliability levels for certain combinations of failures, other failure conditions that can arise as a result of introducing such a system must be shown to comply with CS 25.901(c)/CS 25.1309.

d. Thrust Management Systems. A System Safety Assessment is essential for any aeroplane system that aids the crew in managing engine thrust (i.e., computing target engine ratings, commanding engine thrust levels, etc.). As a minimum, the criticality and failure hazard classification must be assessed. The system criticality will depend on:

- the range of thrust management errors it could cause,
- the likelihood that the crew will detect these errors and take appropriate corrective action, and
- the severity of the effects of these errors with and without crew intervention.

The hazard classification will depend on the most severe effects anticipated from any system. The need for more in-depth analysis will depend upon the systems complexity, novelty, initial failure hazard classification, relationship to other aircraft systems, etc.

(1) Automated thrust management features, such as autothrottles and target rating displays, traditionally have been certified on the basis that they are only conveniences to reduce crew workload and do not relieve the crew of any responsibility for assuring proper thrust

CS-25 BOOK 2

management. In some cases, malfunctions of these systems can be considered to be minor, at most. However, for this to be valid, even when the crew is no longer directly involved in performing a given thrust management function, the crew must be provided with information concerning unsafe system operating conditions to enable them to take appropriate corrective action.

(2) Consequently, when demonstrating compliance with CS 25.901(c)/CS 25.1309, failures within any automated thrust management feature which, if not detected and properly accommodated by crew action, could create a catastrophe should be either:

(i) considered a catastrophic failure condition when demonstrating compliance with CS 25.901(c)/ CS 25.1309(b); or

(ii) considered an unsafe system operating condition when demonstrating compliance with the warning requirements of CS 25.1309(c).

e. Thrust Reverser. Compliance with CS 25.933(a) ("Reversing systems") provides demonstration of compliance with CS 25.901(c)/CS 25.1309 for the thrust reverser in-flight deployment failure conditions. A standard CS 25.901(c)/CS 25.1309 System Safety Assessment should be performed for any other thrust reverser-related failure conditions.

7. TYPICAL FAILURE CONDITIONS FOR POWERPLANT SYSTEM INSTALLATIONS.

The purpose of this section is to provide a list of typical failure conditions that may be applicable to a powerplant system installation. This list is by no means all-encompassing, but it captures some failure conditions that have been of concern in previous powerplant system installations. The specific failure conditions identified during the preliminary SSA for the installation should be reviewed against this list to assist in ensuring that all failure conditions have been identified and properly addressed.

As stated previously in this AMC, the assessment of these failure conditions may range from a simple report that offers descriptive details associated with a failure condition, interprets test results, compares two similar systems, or offers other qualitative information; to a detailed failure analysis that may include estimated numerical probabilities. The assessment criteria, process, analysis methods, validation, and documentation should be consistent with the guidance material contained in AMC 25.1309.

a. Fire Protection System -- Failure Conditions:

- (1) Loss of detection in the presence of a fire.
- (2) Loss of extinguishing in the presence of a fire.
- (3) Loss of fire zone integrity in the presence of a fire.
- (4) Loss of flammable fluid shut-off or drainage capability in the presence of a fire.
- (5) Creation of an ignition source outside a fire zone but in the presence of flammable fluids.

b. Fuel System -- Failure Conditions:

- (1) Loss of fuel feed/fuel supply.
- (2) Inability to control lateral and longitudinal balance.
- (3) Hazardously misleading fuel indications.
- (4) Loss of fuel tank integrity.
- (5) Loss of fuel jettison.
- (6) Uncommanded fuel jettison.

c. Powerplant Ice Protection -- Failure Conditions:

CS-25 BOOK 2

- (1) Loss of propeller, inlet, engine, or other powerplant ice protection on multiple powerplants when required.
- (2) Loss of engine/powerplant ice detection.
- (3) Activation of engine inlet ice protection above limit temperatures.

d. Propeller Control -- Failure Conditions:

- (1) Inadvertent fine pitch (overspeed, excessive drag).
- (2) Inadvertent coarse pitch (over-torque, thrust asymmetry)
- (3) Uncommanded propeller feathering.
- (4) Failure to feather.
- (5) Inadvertent application of propeller brake in flight.
- (6) Unwanted reverse thrust (pitch).

e. Engine Control and Indication -- Failure Conditions:

- (1) Loss of thrust.
- (2) Loss of thrust control, including asymmetric thrust, thrust increases, thrust decreases, thrust fail fixed, and unpredictable engine operation.
- (3) Hazardously misleading display of powerplant parameter(s).

f. Thrust Reverser -- Failure Conditions:

- (1) Inadvertent deployment of one or more reversers.
- (2) Failure of one or more reversers to deploy when commanded.
- (3) Failure of reverser component restraints (i.e., opening of D-ducts in flight, release of cascades during reverser operation , etc.).

[Amdt. No.: 25/1]

AMC 25.903 (d)(1)

Torching Flames

Where design precautions to minimise the hazard in the event of a combustion chamber burnthrough involve the use of torching flame resistant components and/or materials, satisfaction of the standards prescribed in British Standards Institution Specification 3G100: Part 2: Section 3: Sub-section 3.13, dated December 1973, is acceptable.

AMC 25.903(e)(2)

Engines

1 General

1.1 In general the relight envelope required in CS 25.903(e)(2) may consist of two zones –

- a. One zone where the engine is rotated by windmilling at or beyond the minimum rpm to effect a satisfactory relight, and
- b. Another zone where the engine is rotated with assistance of the starter at or beyond the minimum rpm to effect a satisfactory relight.

1.2 The minimum acceptable relight envelope is defined in paragraph 2.

2 Envelope of Altitude and Airspeed

2.1 Sufficient flight tests should be made over the range of conditions detailed in 2.2 and 2.3, to establish the envelope of altitude and airspeed for reliable engine restarts, taking into account the results of restart tests completed by the engine constructor on the same type of engine in an altitude

CS-25 BOOK 2

test facility or flying test bed, if available, and the experience accumulated in other aircraft with the same engine. The effect of engine deterioration in service should be taken into account.

2.2 Altitude and Configuration. From sea-level to the maximum declared restarting altitude in all appropriate configurations likely to affect restarting, including the emergency descent configuration.

2.3 Airspeed. From the minimum to the maximum declared airspeed at all altitudes up to the maximum declared engine restarting altitude. The airspeed range of the declared relight envelope should cover at least 30 kt.

2.4 Delay Tests. The tests referred to in paragraph 2.2 should include the effect on engine restarting performance of delay periods between engine shut-down and restarting of –

- a. Up to two minutes, and
- b. At least fifteen minutes or until the engine oil temperatures are stabilised at their cold soak value.

AMC 25.905(d)**Release of Propeller Debris**

1 *Propeller Installation.* Design features of the propeller installation, including its control system, which are considered to influence the occurrence of propeller debris release and/or mode of such a failure should be taken into account when assessing the aeroplane against CS 25.905(d).

2 *Aeroplane Design Conditions*

2.1 *Impact Damage Zone.* All practical precautions should be taken in the aeroplane design to minimise, on the basis of good engineering judgement, the risk of Catastrophic Effects due to the release of part of, or a complete propeller blade. These precautions should be taken within an impact zone defined by the region between the surfaces generated by lines passing through the centre of the propeller hub making angles of at least five degrees forward and aft of the plane of rotation of each propeller. Within this zone at least the following should be considered.

- a. The vulnerability of critical components and systems (e.g. location, duplication, separation, protection); and
- b. The fire risk in the event of flammable fluid release in association with potential ignition sources (e.g. location, protection, shut-off means).

2.2 *Other Considerations.* Consideration should be given to the effects on the aeroplane resulting from –

- a. The likely out of balance forces due to the release of part of, or a complete propeller blade; and
- b. Loss of a complete propeller.

AMC 25.929(a)**Propeller De-icing**

Where the propeller has been fitted to the engine in complying with the tests of AMC E 780, compliance with CS 25.929(a) will be assured.

AMC 25.933(a)(1)**Unwanted in-flight thrust reversal of turbojet thrust reversers**1. **PURPOSE.**

This Acceptable Means of Compliance (AMC) describes various acceptable means, for showing compliance with the requirements of CS 25.933(a)(1), "Reversing systems", of CS-25. These means are intended to provide guidance to supplement the engineering and operational judgement that must

CS-25 BOOK 2

form the basis of any compliance findings relative to in-flight thrust reversal of turbojet thrust reversers.

2. RELATED CERTIFICATION SPECIFICATIONS.

CS 25.111, CS 25.143, CS 25.251, CS 25.571, CS 25.901, CS 25.903, CS 25.1155, CS 25.1305, CS 25.1309, CS 25.1322 and CS 25.1529

3. APPLICABILITY.

The requirements of CS 25.933 apply to turbojet thrust reverser systems. CS 25.933(a) specifically applies to reversers intended for ground operation only, while CS 25.933(b) applies to reversers intended for both ground and in-flight use.

This AMC applies only to unwanted thrust reversal in flight phases when the landing gear is not in contact with the ground; other phases (i.e., ground operation) are addressed by CS 25.901(c) and CS 25.1309.

4. BACKGROUND.

4.a. General. Most thrust reversers are intended for ground operation only. Consequently, thrust reverser systems are generally sized and developed to provide high deceleration forces while avoiding foreign object debris (FOD) ingestion, aeroplane surface efflux impingement, and aeroplane handling difficulty during landing roll. Likewise, aircraft flight systems are generally sized and developed to provide lateral and directional controllability margins adequate for handling qualities, manoeuvrability requirements, and engine-out V_{MC} lateral drift conditions.

In early turbojet aeroplane designs, the combination of control system design and thrust reverser characteristics resulted in control margins that were capable of recovering from unwanted in-flight thrust reversal even on ground-use-only reversers; this was required by the previous versions of CS 25.933.

As the predominant large aeroplane configuration has developed into the high bypass ratio twin engine-powered model, control margins for the in-flight thrust reversal case have decreased. Clearly, whenever and wherever thrust reversal is intended, the focus must remain on limiting any adverse effects of thrust reversal. However, when demonstrating compliance with CS 25.933(a) or 25.933(b), the Authority has accepted that applicants may either provide assurance that the aeroplane is controllable after an in-flight thrust reversal event or that the unwanted in-flight thrust reversal event will not occur.

Different historical forms of the rule have attempted to limit either the effect or the likelihood of unwanted thrust reversal during flight. However, experience has demonstrated that neither method is always both practical and effective. The current rule, and this related advisory material, are intended to allow either of these assurance methods to be applied in a manner which recognises the limitations of each, thereby maximising both the design flexibility and safety provided by compliance with the rule.

4.b. Minimising Adverse Effects. The primary purpose of reversing systems, especially those intended for ground operation only, is to assist in decelerating the aeroplane during landing and during an aborted take-off. As such, the reverser must be rapid-acting and must be effective in producing sufficient reverse thrust. These requirements result in design characteristics (actuator sizing, efflux characteristics, reverse thrust levels, etc.) that, in the event of thrust during flight, could cause significant adverse effects on aeroplane controllability and performance.

If the effect of the thrust reversal occurring in flight produces an unacceptable risk to continued safe flight and landing, then the reverser operation and de-activation system must be designed to prevent unwanted thrust reversal. Alternatively, for certain aeroplane configurations, it may be possible to limit the adverse impacts of unwanted thrust reversal on aeroplane controllability and performance such that the risk to continued safe flight and landing is acceptable (discussed later in this AMC).

CS-25 BOOK 2

For reversing systems intended for operation in flight, the reverser system must be designed to adequately protect against unwanted in-flight thrust reversal.

CS 25.1309 and 25.901(c) and the associated AMC (AMC 25.1309 and AMC 25.901(c) provide guidance for developing and assessing the safety of systems at the design stage. This methodology should be applied to the total reverser system, which includes:

- the reverser;
- the engine (if it can contribute to thrust reversal);
- the reverser motive power source;
- the reverser control system;
- the reverser command system in the cockpit; and
- the wiring, cable, or linkage system between the cockpit and engine.

Approved removal, deactivation, reinstallation, and repair procedures for any element in the reverser or related systems should result in a safety level equivalent to the certified baseline system configuration.

Qualitative assessments should be done, taking into account potential human errors (maintenance, aeroplane operation).

Data required to determine the level of the hazard to the aeroplane in case of in-flight thrust reversal and, conversely, data necessary to define changes to the reverser or the aeroplane to eliminate the hazard, can be obtained from service experience, test, and/or analysis. These data also can be used to define the envelope for continued safe flight.

There are many opportunities during the design of an aeroplane to minimise both the likelihood and severity of unwanted in-flight thrust reversal. These opportunities include design features of both the aeroplane and the engine/reverser system. During the design process, consideration should be given to the existing stability and control design features, while preserving the intended function of the thrust reverser system.

Some design considerations, which may help reduce the risk from in-flight thrust reversal, include:

4.b.(1) Engine location to:

- (i) Reduce sensitivity to efflux impingement.
- (ii) Reduce effective reverse thrust moment arms

4.b.(2) Engine/Reverser System design to:

- (i) Optimise engine/reverser system integrity and reliability.
- (ii) Rapidly reduce engine airflow (i.e. auto-idle) in the event of an unwanted thrust reversal. Generally, such a feature is considered a beneficial safety item. In this case, the probability and effect of any unwanted idle command or failure to provide adequate reverse thrust when selected should be verified to be consistent with AMC 25.1309 and AMC 25.901(c).
- (iii) Give consideration to the aeroplane pitch, yaw, and roll characteristics.
- (iv) Consider effective efflux diameter.
- (v) Consider efflux area.
- (vi) Direct reverser efflux away from critical areas of the aeroplane.
- (vii) Expedite detection of unwanted thrust reversal, and provide for rapid compensating action within the reversing system.
- (viii) Optimise positive aerodynamic stowing forces.
- (ix) Inhibit in-flight thrust reversal of ground-use-only reversers, even if commanded by the flight crew.

CS-25 BOOK 2

- (x) Consider incorporation of a restow capability for unwanted thrust reversal.

4.b.(3) Airframe/System design to:

- (i) Maximise aerodynamic control capability.
- (ii) Expedite detection of thrust reversal, and provide for rapid compensating action through other airframe systems.
- (iii) Consider crew procedures and responses.

The use of formal «lessons learned»-based reviews early and often during design development may help avoid repeating previous errors and take advantage of previous successes.

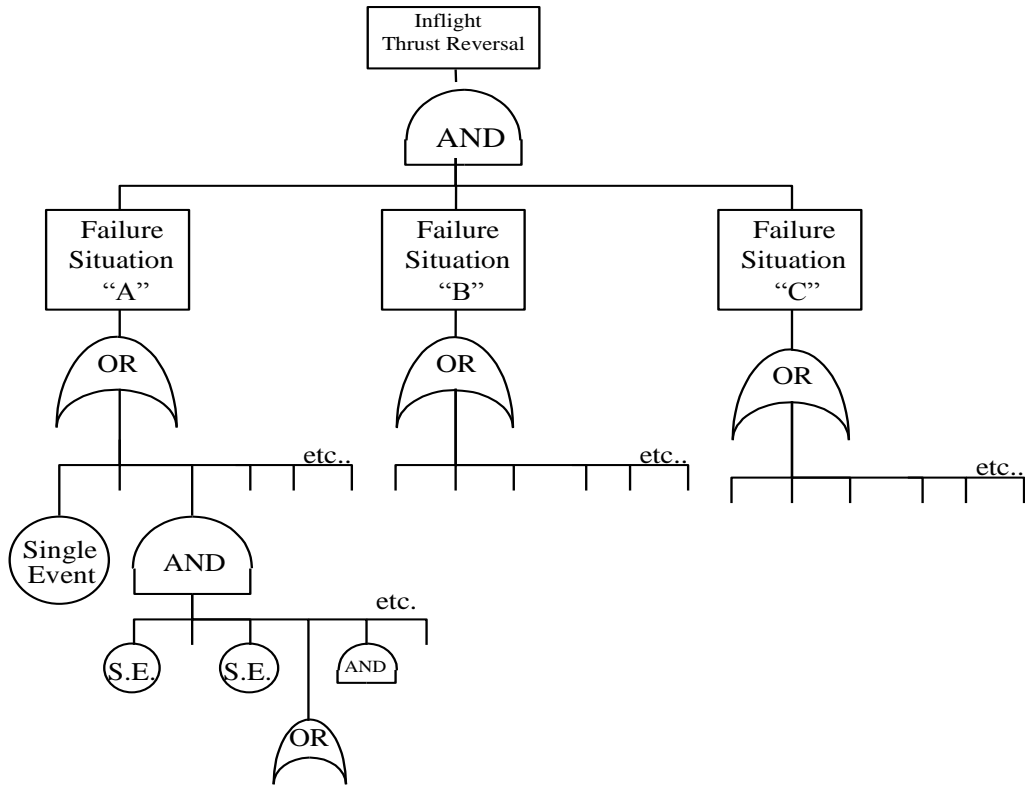
5. **DEFINITIONS.**

The following definitions apply for the purpose of this AMC :

- a. **Catastrophic:** see AMC 25.1309
- b. **Continued Safe Flight and Landing:** The capability for continued controlled flight and safe landing at an airport, possibly using emergency procedures, but without requiring exceptional pilot skill or strength. Some aeroplane damage may be associated with a failure condition, during flight or upon landing.
- c. **Controllable Flight Envelope and Procedure:** An area of the Normal Flight Envelope where, given an appropriate procedure, the aeroplane is capable of continued safe flight and landing following an in-flight thrust reversal.
- d. **Deactivated Reverser:** Any thrust reverser that has been deliberately inhibited such that it is precluded from performing a normal deploy/stow cycle, even if commanded to do so.
- e. **Exceptional Piloting Skill and/or Strength:** Refer to CS 25.143(c) («Controllability and Manoeuvrability—General»).
- f. **Extremely Improbable:** see AMC 25.1309
- g. **Extremely Remote:** see AMC 25.1309
- h. **Failure:** see AMC 25.1309
- i. **Failure Situation:** All failures that result in the malfunction of one independent command and/or restraint feature that directly contributes to the top level Fault Tree Analysis event (i.e., unwanted in-flight thrust reversal). For the purpose of illustration, Figure 1, below, provides a fault tree example for a scenario of three «failure situations» leading to unwanted in-flight thrust reversal.

CS-25 BOOK 2

Figure 1: TOP EVENT



Reverser System with three independent command/restraint features shown for reference only.

CS-25 BOOK 2

- j. **Hazardous:** see AMC 25.1309
- k. **In-flight:** that part of aeroplane operation beginning when the wheels are no longer in contact with the ground during the take-off and ending when the wheels again contact the ground during landing.
- l. **Light Crosswind:** For purposes of this AMC, a light crosswind is a 19 km/h (10 Kt). wind at right angles to the direction of take-off or landing which is assumed to occur on every flight.
- m. **Light Turbulence:** Turbulence that momentarily causes slight, erratic changes in altitude and/or attitude (pitch, roll, and/or yaw), which is assumed to occur on every flight.
- n. **Major:** see AMC 25.1309
- o. **Maximum exposure time:** The longest anticipated period between the occurrence and elimination of the failure.
- p. **Normal Flight Envelope:** An established boundary of parameters (velocity, altitude, angle of attack, attitude) associated with the practical and routine operation of a specific aeroplane that is likely to be encountered on a typical flight and in combination with prescribed conditions of light turbulence and light crosswind.
- q. **Pre-existing failure:** Failure that can be present for more than one flight.
- r. **Thrust Reversal:** A movement of all or part of the thrust reverser from the forward thrust position to a position that spoils or redirects the engine airflow.
- s. **Thrust Reverser System:** Those components that spoil or redirect the engine thrust to decelerate the aeroplane. The components include:
- the engine-mounted hardware,
 - the reverser control system,
 - indication and actuation systems, and
 - any other aeroplane systems that have an effect on the thrust reverser operation.
- t. **Turbojet thrust reversing system:** Any device that redirects the airflow momentum from a turbojet engine so as to create reverse thrust. Systems may include:
- cascade-type reversers,
 - target or clamshell-type reversers,
 - pivoted-door petal-type reversers,
 - deflectors articulated off either the engine cowling or aeroplane structure,
 - targetable thrust nozzles, or
 - a propulsive fan stage with reversing pitch.
- u. **Turbojet (or turbofan):** A gas turbine engine in which propulsive thrust is developed by the reaction of gases being directed through a nozzle.

6. **DEMONSTRATING COMPLIANCE WITH CS 25.933(a).**

The following Sections 7 through 10 of this AMC provide guidance on specific aspects of compliance with CS 25.933(a), according to four different means or methods:

- Controllability (Section 7),
- Reliability (Section 8),
- Mixed controllability / reliability (Section 9),
- Deactivated reverser (Section 10).

CS-25 BOOK 2**7. «CONTROLLABILITY OPTION»: PROVIDE CONTINUED SAFE FLIGHT AND LANDING FOLLOWING ANY IN-FLIGHT THRUST REVERSAL.**

The following paragraphs provide guidance regarding an acceptable means of demonstrating compliance with CS 25.933(a)(1).

7.a. General. For compliance to be established with CS 25.933(a) by demonstrating that the aeroplane is capable of continued safe flight and landing following any in-flight thrust reversal (the «controllability option» provided for under CS 25.933(a)(1)), the aspects of structural integrity, performance, and handling qualities must be taken into account. The level of accountability should be appropriate to the probability of in-flight thrust reversal, in accordance with the following sections.

To identify the corresponding failure conditions and determine the probability of their occurrence, a safety analysis should be carried out, using the methodology described in CS 25.1309. The reliability of design features, such as auto-idle and automatic control configurations critical to meeting the following controllability criteria, also should be considered in the safety analysis.

Appropriate alerts and/or other indications should be provided to the crew, as required by CS 25.1309(c) (Ref. AMC 25.1309).

The inhibition of alerts relating to the thrust reverser system during critical phases of flight should be evaluated in relation to the total effect on flight safety (Ref. AMC 25.1309).

Thrust reversal of a cyclic or erratic nature (e.g., repeated deploy/stow movement of the thrust reverser) should be considered in the safety analysis and in the design of the alerting/indication systems.

Input from the flight crew and human factors specialists should be considered in the design of the alerting and/or indication provisions.

The controllability compliance analysis should include the relevant thrust reversal scenario that could be induced by a rotorburst event.

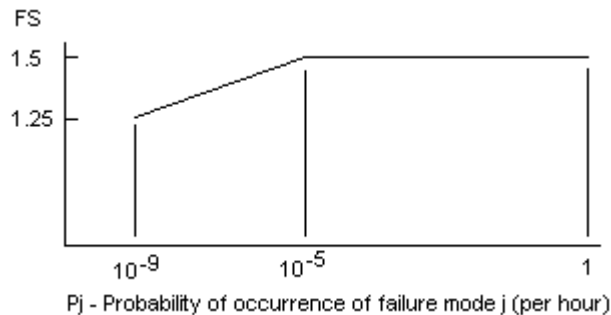
When demonstrating compliance using this «controllability option» approach, if the aeroplane might experience an in-flight thrust reversal outside the «controllable flight envelope» anytime during the entire operational life of all aeroplanes of this type, then further compliance considerations as described in Section 9 («MIXED CONTROLLABILITY / RELIABILITY OPTION») of this AMC, below, should be taken into account.

7.b. Structural Integrity. For the «controllability option,» the aeroplane must be capable of successfully completing a flight during which an unwanted in-flight thrust reversal occurs. An assessment of the integrity of the aeroplane structure is necessary, including an assessment of the structure of the deployed thrust reverser and its attachments to the aeroplane.

In conducting this assessment, the normal structural loads, as well as those induced by failures and forced vibration (including buffeting), both at the time of the event and for continuation of the flight, must be shown to be within the structural capability of the aeroplane.

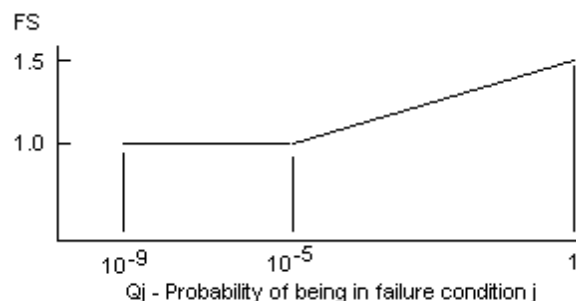
At the time of occurrence, starting from 1-g level flight conditions, at speeds up to V_C , a realistic scenario, including pilot corrective actions, should be established to determine the loads occurring at the time of the event and during the recovery manoeuvre. The aeroplane should be able to withstand these loads multiplied by an appropriate factor of safety that is related to the probability of unwanted in-flight thrust reversal. The factor of safety is defined in Figure 2, below. Conditions with high lift devices deployed also should be considered at speeds up to the appropriate flap limitation speed.

CS-25 BOOK 2

Figure 2: Factor of safety at the time of occurrence

For continuation of the flight following in-flight thrust reversal, considering any appropriate reconfiguration and flight limitations, the following apply:

- 7.b.(1) Static strength should be determined for loads derived from the following conditions at speeds up to V_C , or the speed limitation prescribed for the remainder of the flight:
- 70% of the limit flight manoeuvre loads; and separately
 - the discrete gust conditions specified in CS 25.341(a) (but using 40% of the gust velocities specified for V_C).
- 7.b.(2) For the aeroplane with high lift devices deployed, static strength should be determined for loads derived from the following conditions at speeds up to the appropriate flap design speed, or any lower flap speed limitation prescribed for the remainder of the flight:
- A balanced manoeuvre at a positive limit load factor of 1.4; and separately
 - the discrete gust conditions specified in CS 25.345(a)(2) (but using 40% of the gust velocities specified).
- 7.b.(3) For static strength substantiation, each part of the structure must be able to withstand the loads specified in sub-paragraph 7.b.(1) and 7.b.(2) of this paragraph, multiplied by a factor of safety depending on the probability of being in this failure state. The factor of safety is defined in Figure 3, below.

Figure 3: Factor of safety for continuation of flight

Q_j = is the probability of being in the configuration with the unwanted in-flight thrust reversal

$Q_j = (T_j)(P_j)$ where:

T_j = average time spent with unwanted in-flight thrust reversal (in hours)

P_j = probability of occurrence of unwanted in-flight thrust reversal (per hour)

CS-25 BOOK 2

If the thrust reverser system is capable of being restowed following a thrust reversal, only those loads associated with the interval of thrust reversal need to be considered. Historically, thrust reversers have often been damaged as a result of unwanted thrust reversal during flight. Consequently, any claim that the thrust reverser is capable of being restowed must be adequately substantiated, taking into account this adverse service history.

7.c. Performance

7.c.(1) *General Considerations*: Most failure conditions that have an effect on performance are adequately accounted for by the requirements addressing a «regular» engine failure (i.e., involving only loss of thrust and not experiencing any reverser anomaly). This is unlikely to be the case for failures involving an unwanted in-flight thrust reversal, which can be expected to have a more adverse impact on thrust and drag than a regular engine failure. Such unwanted in-flight thrust reversals, therefore, should be accounted for specifically, to a level commensurate with their probability of occurrence.

The performance accountability that should be provided is defined in Sections 7.c.(2) and 7.c.(3) as a function of the probability of the unwanted in-flight thrust reversal. Obviously, for unwanted in-flight thrust reversals less probable than 1×10^{-9} /fh, certification may be based on reliability alone, as described in Section 8 («RELIABILITY OPTION») of this AMC. Furthermore, for any failure conditions where unwanted in-flight thrust reversal would impact safety, the aeroplane must meet the safety/reliability criteria delineated in CS 25.1309.

7.c.(2) *Probability of unwanted in-flight thrust reversal greater than 1×10^{-7} /fh*: Full performance accountability must be provided for the more critical of a regular engine failure and an unwanted in-flight thrust reversal.

To determine if the unwanted in-flight thrust reversal is more critical than a regular engine failure, the normal application of the performance requirements described in CS-25, Subpart B, as well as the applicable operating requirements, should be compared to the application of the following criteria, which replace the accountability for a critical engine failure with that of a critical unwanted in-flight thrust reversal:

- CS 25.111, «Take-off path»: The takeoff path should be determined with the critical unwanted thrust reversal occurring at V_{LOF} instead of the critical engine failure at V_{EF} . No change to the state of the engine with the thrust reversal that requires action by the pilot may be made until the aircraft is 122 m (400 ft) above the takeoff surface.
- CS 25.121, «Climb: one-engine-inoperative»: Compliance with the one-engine-inoperative climb gradients should be shown with the critical unwanted in-flight thrust reversal rather than the critical engine inoperative.
- CS 25.123, «En-route flight paths»: The en-route flight paths should be determined following occurrence of the critical unwanted in-flight thrust reversal(s) instead of the critical engine failure(s), and allowing for the execution of appropriate crew procedures. For compliance with the applicable operating rules, an unwanted in-flight thrust reversal(s) at the most critical point en-route should be substituted for the engine failure at the most critical point en-route.

Performance data determined in accordance with these provisions, where critical, should be furnished in the Aeroplane Flight Manual as operating limitations.

Operational data and advisory data related to fuel consumption and range should be provided for the critical unwanted in-flight thrust reversal to assist the crew in decision making. These data may be supplied as simple factors or additives to apply to normal all-engines-operating fuel consumption and range data. For approvals to conduct extended range operations with two-engine aeroplanes (ETOPS), the critical unwanted in-flight thrust reversal should be considered in the critical fuel scenario (paragraph 10d(4)(iii) of Information Leaflet no. 20 : ETOPS).

In addition to requiring full performance accountability as it relates to the specific aeroplane performance requirements of Subpart B, all other aspects of the aeroplane's performance

CS-25 BOOK 2

following a non-restowable in-flight thrust reversal (e.g. capability to climb and maintain 305m (1000 feet) AGL) must be found adequate to comply with the intent of CS 25.933(a)(1)(ii).

7.c.(3) *Probability of unwanted in-flight thrust reversal equal to or less than $1 \times 10^{-7}/fh$, but greater than $1 \times 10^{-9}/fh$* : With the exception of the takeoff phase of flight, which needs not account for unwanted in-flight thrust reversal, the same criteria should be applied as in Section 7.c.(2), above, for the purposes of providing advisory data and procedures to the flight crew. Such performance data, however, need not be applied as operating limitations. The takeoff data addressed by Section 7.c.(2), above (takeoff speeds, if limited by V_{MC} , takeoff path, and takeoff climb gradients), does not need to be provided, as it would be of only limited usefulness if not applied as a dispatch limitation.

However, the takeoff data should be determined and applied as operating limitations if the unwanted in-flight thrust reversal during the take-off phase is the result of a single failure.

As part of this assessment, the effect of an unwanted in-flight thrust reversal on approach climb performance, and the ability to execute a go-around manoeuvre should be determined and used to specify crew procedures for an approach and landing following a thrust reversal. For example, the procedures may specify the use of a flap setting less than that specified for landing, or an airspeed greater than the stabilised final approach airspeed, until the flight crew is satisfied that a landing is assured and a go-around capability need no longer be maintained. Allowance may be assumed for execution of appropriate crew procedures subsequent to the unwanted thrust reversal having occurred. Where a number of thrust reversal states may occur, these procedures for approach and landing may, at the option of the applicant, be determined either for the critical thrust reversal state or for each thrust reversal state that is clearly distinguishable by the flight crew.

Operational data and advice related to fuel consumption and range should be provided for the critical unwanted in-flight thrust reversal to assist the crew in decision-making. These data may be supplied as simple factors or additives to apply to normal all-engines-operating fuel consumption and range data.

The aeroplane performance capabilities following a non-restowable in-flight thrust reversal must be such that the probability of preventing continued safe flight (e.g. capability to climb and maintain 305m (1000 feet) AGL) and landing at an airport (i.e. either destination or diversion) is extremely improbable.

7.d. Handling Qualities

7.d.(1) *Probability of unwanted in-flight thrust reversal greater than $1 \times 10^{-7}/fh$* : The more critical of an engine failure (or flight with engine(s) inoperative), and an unwanted in-flight thrust reversal, should be used to show compliance with the controllability and trim requirements of CS-25, Subpart B. In addition, the criteria defined in Section 7.d.(2), below, also should be applied. To determine if the unwanted in-flight thrust reversal is more critical than an engine failure, the normal application of the CS-25, Subpart B, controllability and trim requirements should be compared to the application of the following criteria, which replace the accountability for a critical engine failure with that of a critical unwanted in-flight thrust reversal:

- CS 25.143, «Controllability and Manoeuvrability - General» : the effect of a sudden unwanted in-flight thrust reversal of the critical engine, rather than the sudden failure of the critical engine, should be evaluated in accordance with CS 25.143(b)(1) and the associated guidance material.

Control forces associated with the failure should comply with CS 25.143(c).

- CS 25.147, «Directional and lateral control» : the requirements of CS 25.147(a), (b), (c), and (d) should be complied with following critical unwanted in-flight thrust reversal(s) rather than with one or more engines inoperative.
- CS 25.149, «Minimum control speed» : the values of V_{MC} and V_{MCL} should be determined with a sudden unwanted in-flight thrust reversal of the critical engine rather than a sudden failure of the critical engine.

CS-25 BOOK 2

- CS 25.161, «Trim» the trim requirements of CS 25.161(d) and (e) should be complied with following critical unwanted in-flight thrust reversal(s), rather than with one or more engines inoperative.

Compliance with these requirements should be demonstrated by flight test. Simulation or analysis will not normally be an acceptable means of compliance for such probable failures.

7.d.(2) *Probability of unwanted thrust reversal equal to or less than $1 \times 10^{-7}/fh$, but greater than $1 \times 10^{-9}/fh$* : failure conditions with a probability equal to or less than $1 \times 10^{-7}/fh$ are not normally evaluated against the specific controllability and trim requirements of CS-25, Subpart B. Instead, the effects of unwanted in-flight thrust reversal should be evaluated on the basis of maintaining the capability for continued safe flight and landing, taking into account pilot recognition and reaction time. One exception is that the minimum control speed requirement of CS 25.149 should be evaluated to the extent necessary to support the performance criteria specified in Section 7.c.(3), above, related to approach, landing, and go-around.

Recognition of the failure may be through the behaviour of the aircraft or an appropriate failure alerting system, and the recognition time should not be less than one second. Following recognition, additional pilot reaction times should be taken into account, prior to any corrective pilot actions, as follows:

- Landing : no additional delay
- Approach : 1 second
- Climb, cruise, and descent : 3 seconds; except when in auto-pilot engaged manoeuvring flight, or in manual flight, when 1 second should apply.

Both auto-pilot engaged and manual flight should be considered.

The unwanted in-flight thrust reversal should not result in any of the following:

- exceedance of an airspeed halfway between V_{MO} and V_{DF} , or Mach Number halfway between M_{MO} and M_{DF}
- a stall
- a normal acceleration less than a value of 0g
- bank angles of more than 60° en-route, or more than 30° below a height of 305m (1000 ft)
- degradation of flying qualities assessed as greater than Major for unwanted in-flight thrust reversal more probable than $1 \times 10^{-7}/fh$; or assessed as greater than Hazardous for failures with a probability equal to or less than $1 \times 10^{-7}/fh$, but greater $1 \times 10^{-9}/fh$
- the roll control forces specified in CS 25.143(c), except that the long term roll control force should not exceed 10 lb
- structural loads in excess of those specified in Section 7.b., above.

Demonstrations of compliance may be by flight test, by simulation, or by analysis suitably validated by flight test or other data.

7.d.(3) *Probability of in-flight thrust reversal less than $1 \times 10^{-9}/fh$* : Certification can be based on reliability alone as described in Section 8, below.

8. «RELIABILITY OPTION»: PROVIDE CONTINUED SAFE FLIGHT AND LANDING BY PREVENTING ANY IN-FLIGHT THRUST REVERSAL

The following paragraphs provide guidance regarding an acceptable means of demonstrating compliance with CS 25.933(a)(1)(ii).

8.a. General. For compliance to be established with CS 25.933(a) by demonstrating that unwanted in-flight thrust reversal is not anticipated to occur (the «reliability option» provided for under CS 25.933(a)(1)(ii)), the aspects of system reliability, maintainability, and fault tolerance; structural

CS-25 BOOK 2

integrity; and protection against zonal threats such as uncontained engine rotor failure or fire must be taken into account.

8.b. System Safety Assessment (SSA): Any demonstration of compliance should include an assessment of the thrust reverser control, indication and actuation system(s), including all interfacing power-plant and aeroplane systems (such as electrical supply, hydraulic supply, flight/ground status signals, thrust lever position signals, etc.) and maintenance.

The reliability assessment should include:

- the possible modes of normal operation and of failure;
- the resulting effect on the aeroplane considering the phase of flight and operating conditions;
- the crew awareness of the failure conditions and the corrective action required;
- failure detection capabilities and maintenance procedures, etc.; and
- the likelihood of the failure condition.

Consideration should be given to failure conditions being accompanied or caused by external events or errors.

The SSA should be used to identify critical failure paths for the purpose of conducting in-depth validation of their supporting failure mode, failure rates, exposure time, reliance on redundant subsystems, and assumptions, if any. In addition, the SSA can be used to determine acceptable time intervals for any required maintenance intervals (ref. AMC 25.1309 and AMC 25.19).

The primary intent of this approach to compliance is to improve safety by promoting more reliable designs and better maintenance, including minimising pre-existing faults. However, it also recognises that flexibility of design and maintenance are necessary for practical application.

8.b.(1) The thrust reverser system should be designed so that any in-flight thrust reversal that is not shown to be controllable in accordance with Section 7, above, is extremely improbable (i.e., average probability per hour of flight of the order of 1×10^{-9} /fh. or less) and does not result from a single failure or malfunction. **And**

8.b.(2) For configurations in which combinations of two-failure situations (ref. Section 5, above) result in in-flight thrust reversal, the following apply:

Neither failure may be pre-existing (i.e., neither failure situation can be undetected or exist for more than one flight); the means of failure detection must be appropriate in consideration of the monitoring device reliability, inspection intervals, and procedures.

The occurrence of either failure should result in appropriate cockpit indication or be self-evident to the crew to enable the crew to take necessary actions such as discontinuing a take-off, going to a controllable flight envelope en-route, diverting to a suitable airport, or reconfiguring the system in order to recover single failure tolerance, etc. **And**

8.b.(3) For configurations in which combinations of three or more failure situations result in in-flight thrust reversal, the following applies:

In order to limit the exposure to pre-existing failure situations, the maximum time each pre-existing failure situation is expected to be present should be related to the frequency with which the failure situation is anticipated to occur, such that their product is 1×10^{-3} /fh or less.

The time each failure situation is expected to be present should take into account the expected delays in detection, isolation, and repair of the causal failures.

8.c. Structural Aspects: For the «reliability option,» those structural load paths that affect thrust reversal should be shown to comply with the static strength, fatigue, damage tolerance, and deformation requirements of CS-25. This will ensure that unwanted in-flight thrust reversal is not anticipated to occur due to failure of a structural load path, or due to loss of retention under ultimate load throughout the operational life of the aeroplane.

8.d. Uncontained Rotor Failure: In case of rotor failure, compliance with CS 25.903(d)(1) should be shown, using advisory materials (AC, user manual, etc.) supplemented by the methods described

CS-25 BOOK 2

below. The effects of associated loads and vibration on the reverser system should be considered in all of the following methods of minimising hazards:

8.d.(1) Show that engine spool-down characteristics or potential reverser damage are such that compliance with Section 7, above, can be shown.

8.d.(2) Show that forces that keep the thrust reverser in stable stowed position during and after the rotor burst event are adequate.

8.d.(3) Locate the thrust reverser outside the rotor burst zone.

8.d.(4) Protection of thrust reverser restraint devices: The following guidance material describes methods of minimising the hazard to thrust reverser stow position restraint devices located within rotorburst zones. The following guidance material has been developed on the basis of all of the data available to date and engineering judgement.

8.d.(4)(i) Fragment Hazard Model:

(A) Large Fragments

- *Ring Disks (see Figure 4.a.)* - Compressor drum rotors or spools with ring disks have typically failed in a rim peeling mode when failure origins are in the rim area. This type of failure typically produces uncontained fragment energies, which are mitigated by a single layer of conventional aluminium honeycomb structure. (Note: This guidance material is based upon field experience and, as such, its application should be limited to aluminium sheet and honeycomb fan reverser construction. Typical construction consists of 12.7 mm (a half inch) thickness of .003-.004" aluminium foil honeycomb with .030" thick aluminium facing sheets. Alternative materials and methods of construction should have at least equivalent impact energy absorption characteristics). Failures with the origins in the bore of these same drum sections have resulted in fragments which can be characterised as a single 1/3 disk fragment and multiple smaller fragments. The 1/3 disk fragment may or may not be contained by the thrust reverser structure. The remaining intermediate and small disk fragments, while escaping the engine case, have been contained by the thrust reverser structure.
- *Deep Bore Disks (see Figure 4.b.) and Single Disks (see Figure 4.c.)* - For compressor drum rotors or spools with deep bore disks, and single compressor and turbine disks, the experience, while limited, indicates either a 1/3 and a 2/3 fragment, or a 1/3 fragment and multiple intermediate and small discrete fragments should be considered. These fragments can be randomly released within an impact area that ranges ± 5 degrees from the plane of rotation.

(B) Small Fragments (Debris)

Consider small fragments (reference AMC 20-128A, paragraph 9.d.) that could impact the thrust reverser at ± 15 degrees axial spread angle.

8.d.(4)(ii) Minimisation:

Minimisation guidance provided below is for fragments from axial flow rotors surrounded by fan flow thrust reversers located over the intermediate or high-pressure core rotors.

NOTE: See attached Figure 5: Typical High Bypass Turbofan Low and High Pressure Compressor with Fan Thrust Reverser Cross Section

(A) Large Fragments

For the large fragments defined in Section 8.d.(4)(i)(A), above, the thrust reverser retention systems should be redundant and separated as follows:

- Ring Disks Compressor Spools:

Retention systems located in the outer barrel section of the thrust reverser should be separated circumferentially (circumferential distance greater than the 1/3 disk

CS-25 BOOK 2

fragment model as described in AMC20-128A) or axially (outside the ± 5 degree impact area) so that a 1/3 disk segment can not damage all redundant retention elements and allow thrust reversal (i.e., deployment of a door or translating reverser sleeve half). Retention systems located between the inner fan flow path wall and the engine casing should be located axially outside the + 5 degree impact area.

- Deep-bore Disk Spools and Single Disks:

Retention systems should be separated axially with at least one retention element located outside the ± 5 degree impact area.

(B) Small Fragments

For the small fragments defined in Section 8.d.(4)(i)(B), above, thrust reverser retention systems should be provided with either:

- At least one retention element shielded in accordance with AMC 20-128A, paragraph 7(c), or capable of maintaining its retention capabilities after impact; or
- One retention element located outside the ± 15 degree impact area.

9. «MIXED CONTROLLABILITY / RELIABILITY» OPTION.

If the aeroplane might experience an unwanted in-flight thrust reversal outside the «controllable flight envelope» anytime during the entire operational life of all aeroplanes of this type, then outside the controllable envelope reliability compliance must be shown, taking into account associated risk exposure time and the other considerations described in Section 8, above.

Conversely, if reliability compliance is selected to be shown within a given limited flight envelope with associated risk exposure time, then outside this envelope controllability must be demonstrated taking into account the considerations described in Section 7, above.

Mixed controllability/reliability compliance should be shown in accordance with guidance developed in Sections 7 and 8, above, respectively.

10. DEACTIVATED REVERSER.

The thrust reverser system deactivation design should follow the same «fail-safe» principles as the actuation system design, insofar as failure and systems/hardware integrity. The effects of thrust reverser system deactivation on other aeroplane systems, and on the new configuration of the thrust reverser system itself, should be evaluated according to Section 8.a., above. The location and load capability of the mechanical lock-out system (thrust reverser structure and lock-out device) should be evaluated according to Sections 8.b. and 8.d., above. The evaluation should show that the level of safety associated with the deactivated thrust reverser system is equivalent to or better than that associated with the active system.

11. CS 25.933(b) COMPLIANCE.

For thrust reversing systems intended for in-flight use, compliance with CS 25.933(b) may be shown for unwanted in-flight thrust reversal, as appropriate, using the methods specified in Sections 7 through 10, above.

12. CONTINUED AIRWORTHINESS.

12.a. Manufacturing/Quality: Due to the criticality of the thrust reverser, manufacturing and quality assurance processes should be assessed and implemented, as appropriate, to ensure the design integrity of the critical components.

CS-25 BOOK 2

12.b. Reliability Monitoring: An appropriate system should be implemented for the purpose of periodic monitoring and reporting of in-service reliability performance. The system should also include reporting of in-service concerns related to design, quality, or maintenance that have the potential of affecting the reliability of the thrust reverser.

12.c. Maintenance and Alterations: The following material provides guidance for maintenance designs and activity to assist in demonstrating compliance with Sections 7 through 10, above (also reference CS 25.901(b)(2) and CS 25.1529/Appendix H). The criticality of the thrust reverser and its control system requires that maintenance and maintainability be emphasised in the design process and derivation of the maintenance control program, as well as subsequent field maintenance, repairs, or alterations.

12.c.(1) *Design*: Design aspects for providing adequate maintainability should address :

12.c.(1)(i) Ease of maintenance. The following items should be taken into consideration:

- It should be possible to operate the thrust reverser for ground testing/trouble shooting without the engine operating.
- Lock-out procedures (deactivation for flight) of the thrust reverser system should be simple, and clearly described in the maintenance manual. Additionally, a placard describing the procedure may be installed in a conspicuous place on the nacelle.
- Provisions should be made in system design to allow easy and safe access to the components for fault isolation, replacement, inspection, lubrication, etc. This is particularly important where inspections are required to detect latent failures. Providing safe access should include consideration of risks both to the mechanic and to any critical design elements that might be inadvertently damaged during maintenance.
- Provisions should be provided for easy rigging of the thrust reverser and adjustment of latches, switches, actuators, etc.

12.c.(1)(ii) Fault identification and elimination:

- System design should allow simple, accurate fault isolation and repair.
- System design personnel should be actively involved in the development, documentation, and validation of the troubleshooting/fault isolation manual and other maintenance publications. The systems design personnel should verify that maintenance assumptions critical to any SSA conclusion are supported by these publications (e.g., perform fault insertion testing to verify that the published means of detecting, isolating, and eliminating the fault are effective).
- Thrust reverser unstowed and unlocked indications should be easily discernible during pre-flight inspections.
- If the aeroplane has onboard maintenance monitoring and recording systems, the system should have provisions for storing all fault indications. This would be of significant help to maintenance personnel in locating the source of intermittent faults.

12.c.(1)(iii) Minimisation of errors: Minimisation of errors during maintenance activity should be addressed during the design process. Examples include physical design features, installation orientation markings, dissimilar connections, etc. The use of a formal «lessons learned»-based review early and often during design development may help avoid repeating previous errors.

12.c.(1)(iv) System Reliability: The design process should, where appropriate, use previous field reliability data for specific and similar components to ensure system design reliability.

12.c.(2) *Maintenance Control*:

12.c.(2)(i) Maintenance Program: The development of the initial maintenance plan for the aeroplane, including the thrust reverser, should consider, as necessary, the following:

CS-25 BOOK 2

- Involvement of the manufacturers of the aeroplane, engine, and thrust reverser.
- The compatibility of the SSA information and the Maintenance Review Board Report, Maintenance Planning Document, Master Minimum Equipment List, etc. (ref AMC 25.19).
- Identification by the manufacturer of all maintenance tasks critical to continued safe flight. The operator should consider these tasks when identifying and documenting Required Inspection Items.
- The complexity of lock-out procedures and appropriate verification.
- Appropriate tests, including an operational tests, of the thrust reverser to verify correct system operation after the performance of any procedure that would require removal, installation, or adjustment of a component; or disconnection of a tube, hose, or electrical harness of the entire thrust reverser actuation control system.

12.c.(2)(ii) Training: The following considerations should be taken into account when developing training documentation:

- The reason and the significance of accomplishing critical tasks as prescribed. This would clarify why a particular task needs to be performed in a certain manner.
- Instructions or references as to what to do if the results of a check or operational test do not agree with those given in the Aeroplane Maintenance Manual (AMM). The manual should recommend some corrective action if a system fails a test or check. This would help ensure that the critical components are not overlooked in the trouble shooting process.
- Emphasis on the total system training by a single training source (preferably the aeroplane manufacturer) to preclude fragmented information without a clear system understanding. This training concept should be used in the initial training and subsequent retraining.
- Inclusion of fault isolation and troubleshooting using the material furnished for the respective manuals.
- Evaluation of the training materials to assure consistency between the training material and the maintenance and troubleshooting manuals.

12.c.(2)(iii) Repairs and Alterations: The Instructions for Continued Airworthiness essential to ensure that subsequent repairs or alterations do not unintentionally violate the integrity of the original thrust reverser system type design approval should be provided by the original airframe manufacturer. Additionally, the original airframe manufacturer should define a method of ensuring that this essential information will be evident to those that may perform and approve such repairs and alterations. One example would be maintaining the wire separation between relevant thrust reverser control electrical circuits. This sensitivity could be communicated by statements in appropriate manuals such as the Wiring Diagram Manual, and by decals or placards placed on visible areas of the thrust reverser and/or aeroplane structure.

12.c.(2)(iv) Feedback of Service Experience: The maintenance process should initiate the feedback of service experience that will allow the monitoring of system reliability performance and improvements in system design and maintenance practices. Additionally, this service experience should be used to assure the most current and effective formal «lessons learned» design review process possible.

(A) Reliability Performance:

(Operators and Manufacturers should collaborate on these items:)

- Accurate reporting of functional discrepancies.
- Service investigation of hardware by manufacturer to confirm and determine failure modes and corrective actions if required.

CS-25 BOOK 2

- Update of failure rate data. (This will require co-ordination between the manufacturers and airlines.)

(B) Improvements suggested by maintenance experience:

(This will provide data to effectively update these items:)

- Manuals
- Troubleshooting
- Removal/replacement procedures.

12.c.(2)(v) Publications/Procedures: The following considerations should be addressed in the preparation and revisions of the publications and procedures to support the thrust reverser in the field in conjunction with CS 25.901(b)(2) and CS 25.1529 (Appendix H).

(A) Documentation should be provided that describes a rigging check, if required after adjustment of any thrust reverser actuator drive system component.

(B) Documentation should be provided that describes powered cycling of the thrust reverser to verify system integrity whenever maintenance is performed. This could also apply to any manual actuation of the reverser.

(C) The reasons and the significance of accomplishing critical tasks should be included in the AMM.

(D) The AMM should include instructions or references as to what to do if the results of a check or operational test do not agree with those given in the AMM.

(E) Provisions should be made to address inefficiencies and errors in the publications:

- Identified in the validation process of both critical and troubleshooting procedures.
- Input from field.
- Operators conferences.

(F) Development of the publications should be a co-ordinated effort between the thrust reverser, engine, aeroplane manufacturers and airline customers especially in the areas of:

- AMM
- Troubleshooting
- Fault isolation
- Maintenance data computer output
- Procedure Validation
- Master Minimum Equipment List

(G) Initial issue of the publication should include the required serviceable limits for the complete thrust reverser system.

13. FLIGHT CREW TRAINING.

In the case of compliance with the «controllability option,» and when the nature of the in-flight thrust reversal is judged as unusual (compared to expected consequences on the aeroplane of other failures, both basic and recurrent), flight crew training should be considered on a training simulator representative of the aeroplane, that is equipped with thrust reverser in-flight modelisation to avoid flight crew misunderstandings:

13.a. Transient manoeuvre: Recovery from the unwanted in-flight thrust reversal.

CS-25 BOOK 2

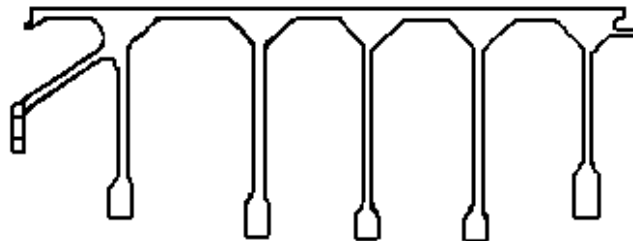
- 13.b Continued flight and landing: Manoeuvring appropriate to the recommended procedure (included trim and unattended operation) and precision tracking (ILS guide slope tracking, speed/altitude tracking, etc.).

[Amdt. No.: 25/1]

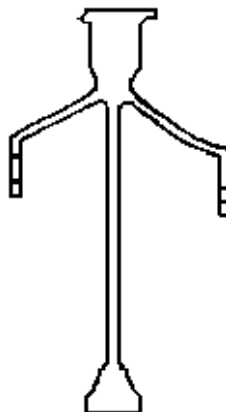
Figure 4 - Generic Disk and Rotor terminology used in interim thrust reverser guidance material for minimizing the hazard from engine rotor burst



4.a - Ring Disk Drum Rotor Cross Section



4.b - Deep Bore Disk Drum Rotor Cross Section



4.c - Single Stage Deep Bore Disk Cross Section

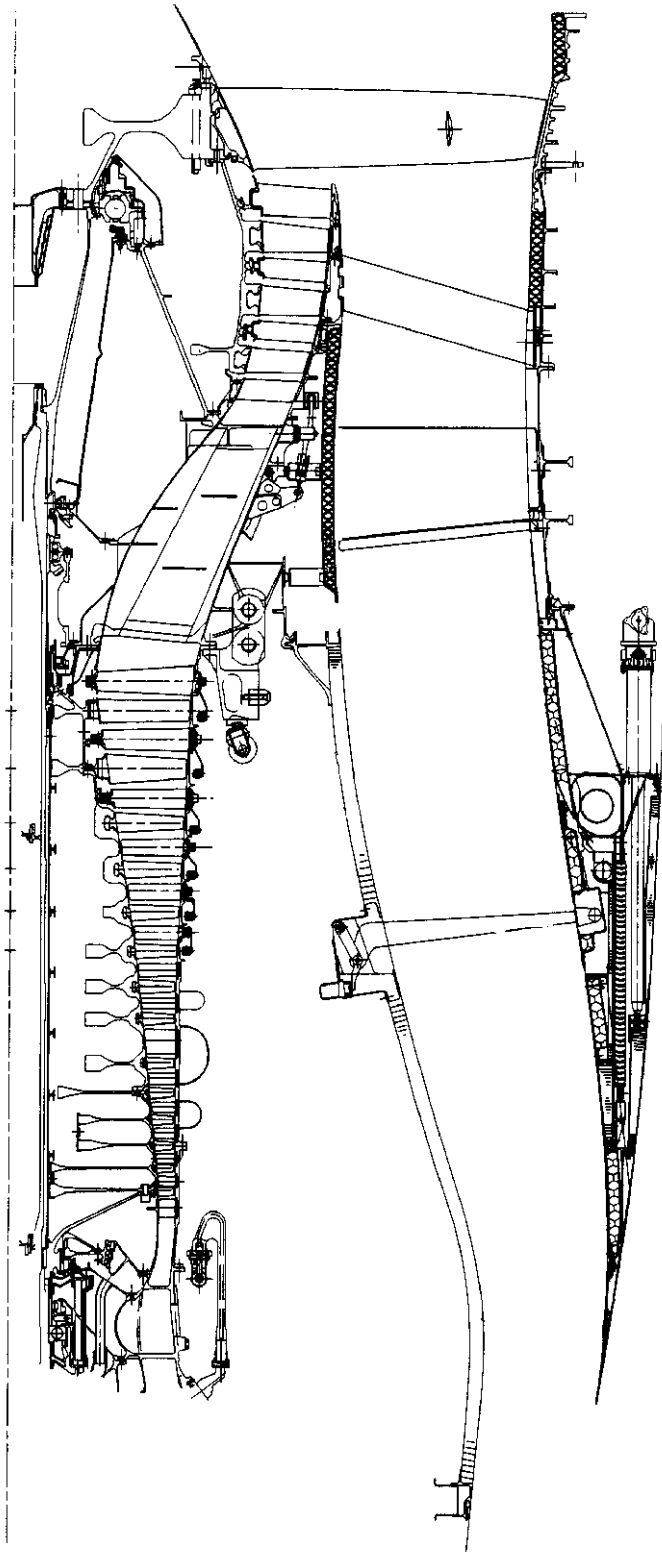


Figure 5: Typical High Bypass Turbofan Low and High Compressor with Fan Thrust Reverser Cross Section

CS-25 BOOK 2**AMC 25.939(a)****Turbine Engine Operating Characteristics**

The wording 'in flight' should be interpreted to cover all operating conditions from engine start until shut-down.

AMC 25.939(c)**Turbine Engine Operating Characteristics**

1 The investigation should cover the complete range, for which certification is required, of aeroplane speeds, attitudes, altitudes and engine operating conditions including reverse thrust, and of steady and transient conditions on the ground and in flight, including crosswinds, rotation, yaw and stall. Non-critical conditions of operation which need not be considered should be agreed with the Agency.

2 If the airflow conditions at the engine air intake can be affected by the operating conditions of an adjacent engine, the investigation should include an exploration of the effects of running the adjacent engine at the same and at different conditions over the whole range of engine operating conditions, including reverse thrust. An investigation of the effect of malfunctioning of an adjacent engine should also be included.

3 Compliance with the requirement may include any suitable one or combination of the following methods; as agreed with the Agency.

a. Demonstration that the variations in engine inlet airflow distortion over the range defined in 1 are within the limits established for the particular engine type.

b. An investigation of blade vibration characteristics by the method and of the scope indicated in CS-E 650 and AMC E 650 (except that Maximum Take-off rpm need not be exceeded) carried out on –

i A representative installation on the ground using test equipment where the actual conditions of operation in the aeroplane are reproduced, or

ii A representative aeroplane on the ground and in flight as appropriate to the conditions being investigated.

c. The completion of sufficient flying with representative installations prior to certification such as to demonstrate that the vibration levels are satisfactory.

d. Any other method acceptable to the Agency.

AMC 25.939**Turbine Engine Operating Characteristics**

FAA Advisory Circular 25.939-1 Evaluating Turbine Engine Operating Characteristics, date 19/03/86, is accepted by the Agency as providing acceptable means of compliance with CS 25.939.

AMC 25.954**Fuel System Lightning Protection**

1 The fuel storage system and the outlets of the venting and jettisoning systems of the aeroplane, should be so situated and/or protected, that the probability of a catastrophe being caused by them being struck by lightning is extremely improbable.

NOTE: The location of the fuel tanks and vents within the airframe may be such as to satisfy this.

2 In addition, the outlets of venting and jettisoning systems should be so located and designed that –

a. They will not, under any atmospheric conditions which the aeroplane may encounter, experience electrical discharges of such magnitudes as will ignite any fuel/air mixture of the ratios likely to be present, and

CS-25 BOOK 2

b. The fuel and its vapours in flammable concentrations will not pass close to parts of the aeroplane which will produce electrical discharges capable of igniting fuel/air mixtures.

NOTE: Electrical discharges may, in addition to direct lightning strikes, be caused by corona and streamer formation in the vicinity of thunderstorms.

3 The fuel system of the aeroplane should be so designed that the passage of lightning discharges through the main aeroplane structure will not produce, by the process of conduction or induction, such potential differences as will cause electrical sparking through areas where there may be flammable vapours.

NOTE: For aeroplanes of conventional shape, an acceptable method of complying with CS 25.954 is given in FAA Advisory Circular AC20-53A – ‘Protection of Aircraft Fuel Systems against Fuel Vapour Ignition due to Lightning’. For aeroplanes of non-conventional shape, re-definition of the zones may be necessary.

AMC 25.955(a)(4)**Fuel Flow**

The word ‘blocked’ should be interpreted to mean ‘with the moving parts fixed in the position for maximum pressure drop’.

AMC 25.963(a)**Fuel Tanks: General**

Precautions should be taken against the possibility of corrosion resulting from microbiological contamination of fuel.

AMC 25.963(d)**Fuel Tanks: General**1. PURPOSE.

This AMC sets forth an acceptable means, but not the only means, of demonstrating compliance with the provisions of CS-25 related to the strength of fuel tanks in emergency landing conditions.

2. RELATED CERTIFICATION SPECIFICATIONS.

CS 25.561 “Emergency Landing Conditions – General”,

CS 25.721 “Landing Gear – General”

CS 25.994 “Fuel System Components”

CS 25J994 “Fuel System Components”

3. BACKGROUND.

For many years the JAA/EASA has required fuel tanks within the fuselage contour to be designed to withstand the inertial load factors prescribed for the emergency landing conditions as specified in JAR/CS 25.561. These load factors have been developed through many years of experience and are generally considered conservative design criteria applicable to objects of mass that could injure occupants if they came loose in a minor crash landing.

a. A minor crash landing is a complex dynamic condition with combined loading. However, in order to have simple and conservative design criteria, the emergency landing forces were established as conservative static ultimate load factors acting in each direction independently.

b. Recognising that the emergency landing load factors were applicable to objects of mass that could cause injury to occupants and that the rupture of fuel tanks in the fuselage could also be a serious hazard to the occupants, § 4b.420 of the Civil Air Regulations (CAR) part 4b (the predecessor of FAR 25) extended the emergency landing load conditions to fuel tanks that are located within the

CS-25 BOOK 2

fuselage contour. Even though the emergency landing load factors were originally intended for solid items of mass, they were applied to the liquid fuel mass in order to develop hydrostatic pressure loads on the fuel tank structure. The application of the inertia forces as a static load criterion (using the full static head pressure) has been considered a conservative criterion for the typical fuel tank configuration within the fuselage contour. This conservatism has been warranted considering the hazard associated with fuel spillage.

c. CS 25.963 has required that fuel tanks, both in and near the fuselage, resist rupture under survivable crash conditions. The advisory material previously associated with CS 25.963 specifies design requirements for all fuel tanks that, if ruptured, could release fuel in or near the fuselage or near the engines in quantities sufficient to start a serious fire.

d. In complying with this CS requirement for wing tanks, several different techniques have been used by manufacturers to develop the fuel tank pressure loads due to the emergency landing inertia forces. The real emergency landing is actually a dynamic transient condition during which the fuel must flow in a very short period of time to re-establish a new level surface normal to the inertial force. For many tanks such as large swept wing tanks, the effect is that the actual pressure forces are likely to be much less than that which would be calculated from a static pressure based on a steady state condition using the full geometric pressure head. Because the use of the full pressure head results in unrealistically high pressures and creates a severe design penalty for wing tanks in swept wings, some manufacturers have used the local streamwise head rather than the full head. Other manufacturers have used the full pressure head but with less than a full tank of fuel. These methods of deriving the pressures for wing tanks have been accepted as producing design pressures for wing tanks that would more closely represent actual emergency landing conditions. The service record has shown no deficiency in strength for wing fuel tanks designed using these methods.

e. FAR 25 did not contain a requirement to apply fuel inertia pressure requirements to fuel tanks outside the fuselage contour, however, the FAA (like the JAA) has published Special Conditions to accomplish this for fuel tanks located in the tail surfaces. The need for Special Conditions was justified by the fact that these tanks are located in a rearward position from which fuel spillage could directly affect a large portion of the fuselage, possibly on both sides at the same time.

4. GENERAL.

CS 25.963(d) requires that fuel tanks must be designed, located, and installed so that no fuel is released in quantities sufficient to start a serious fire in otherwise survivable emergency landing conditions. The prescribed set of design conditions to be considered is as follows:

a. Fuel tank pressure loads. CS 25.963(d)(1) provides a conservative method for establishing the fuel tank ultimate emergency landing pressures. The phrase "fuel tanks outside the fuselage contour" is intended to include all fuel tanks where fuel spillage through any tank boundary would remain physically and environmentally isolated from occupied compartments by a barrier that is at least fire resistant as defined in CS-Definitions. In this regard, cargo compartments that share the same environment with occupied compartments would be treated the same as if they were occupied. The ultimate pressure criteria are different depending on whether the fuel tank under consideration is inside, or outside the fuselage contour. For the purposes of this paragraph a fuel tank should be considered inside the fuselage contour if it is inside the fuselage pressure shell. If part of the fuel tank pressure boundary also forms part of the fuselage pressure boundary then that part of the boundary should be considered as being within the fuselage contour. Figures 1 and 2 show examples of an underslung wing fuel tank and a fuel tank within a moveable tailplane, respectively, both of which would be considered as being entirely outside of the fuselage contour.

The equation for fuel tank pressure uses a factor L, based upon fuel tank geometry. Figure 3 shows examples of the way L is calculated for fuel pressures arising in the forward loading condition, while Figure 4 shows examples for fuel pressures arising in the outboard loading condition.

For Jet A(-1) fuel, a typical density of 785.0 kg/m³ (6.55 lb/US gallon) may be assumed.

Any internal barriers to free flow of fuel may be considered as a solid pressure barrier provided:

CS-25 BOOK 2

- (1) It can withstand the loads due to the expected fuel pressures arising in the conditions under consideration; and
- (2) The time “T” for fuel to flow from the upstream side of the barrier to fill the cell downstream of the barrier is greater than 0.5 second. “T” may be conservatively estimated as:

$$T = \frac{V}{\sum_{i=1}^j C_{di} a_i \sqrt{2 g h_i K}}$$

where:

V = the volume of air in the fuel cell downstream of the barrier assuming a full tank at 1g flight conditions. For this purpose a fuel cell should be considered as the volume enclosed by solid barriers. In lieu of a more rational analysis, 2% of the downstream fuel volume should be assumed to be trapped air;

j = the total number of orifices in baffle rib;

C_{d_i} = the discharge coefficient for orifice i. The discharge coefficient may be conservatively assumed to be equal to 1.0 or it may be rationally based upon the orifice size and shape;

a_i = the area for orifice i;

g = the acceleration due to gravity;

h_i = the hydrostatic head of fuel upstream of orifice i, including all fuel volume enclosed by solid barriers;

K = the pressure design factor for the condition under consideration.

b. Near the fuselage/near the engines (Compliance with CS 25.963(d)(2).)

(1) For aircraft with wing mounted engines:

(i) The phrase “near the fuselage” is addressing those (parts of) wing fuel tanks located between the fuselage and the most inboard engine;

(ii) The phrase “near the engine” is addressing those (parts of) wing fuel tanks as defined in AMC 20-128A, figure 2, minimum distance of 10 inches (254 mm) laterally from potential ignition sources of the engine nacelle.

(2) For aircraft with fuselage mounted engines, the phrase “near the fuselage” is addressing those (parts of) wing fuel tanks located within one maximum fuselage width outside the fuselage boundaries.

c. Protection against crushing and scraping action (Compliance with CS 25.963(d)(4) and CS 25.721(b) and (c).).

Each fuel tank should be protected against the effects of crushing and scraping action (including thermal effects) of the fuel tank and surrounding airframe structure with the ground under the following minor crash landing conditions:

(i) An impact at 1.52 m/s (5 fps) vertical velocity on a paved runway at maximum landing weight, with all landing gears retracted and in any other possible combination of gear legs not extended. The unbalanced pitching and rolling moments due to the ground reactions are assumed to be reacted by inertia and by immediate pilot control action consistent with the aircraft under control until other structure strikes the ground. It should be shown that the loads generated by the primary and subsequent impacts are not of a sufficient level to rupture the tank. A reasonable attitude should be selected within the speed range from V_{L1} to 1.25 V_{L2} based upon the fuel tank arrangement.

CS-25 BOOK 2

V_{L1} equals to V_{S0} (TAS) at the appropriate landing weight and in standard sea-level conditions, and V_{L2} equals to V_{S0} (TAS) at the appropriate landing weight and altitudes in a hot day temperature of 22.8 degrees C (41 degrees F) above standard.

(ii) Sliding on the ground starting from a speed equal to V_{L1} up to complete stoppage, all gears retracted and with up to a 20° yaw angle and as a separate condition, sliding with any other possible combination of gear legs not extended and with a 0° yaw angle. The effects of runway profile need not be considered.

(iii) The impact and subsequent sliding phases may be treated as separate analyses or as one continuous analysis. Rational analyses that take into account the pitch response of the aircraft may be utilised, however care must be taken to assure that abrasion and heat transfer effects are not inappropriately reduced at critical ground contact locations.

(iv) For aircraft with wing mounted engines, if failure of engine mounts, or failure of the pylon or its attachments to the wing occurs during the impact or sliding phase, the subsequent effect on the integrity of the fuel tanks should be assessed. Trajectory analysis of the engine/pylon subsequent to the separation is not required.

(v) The above emergency landing conditions are specified at maximum landing weight, where the amount of fuel contained within the tanks may be sufficient to absorb the frictional energy (when the aircraft is sliding on the ground) without causing fuel ignition. When lower fuel states exist in the affected fuel tanks these conditions should also be considered in order to prevent fuel-vapour ignition.

d. Engine / Pylon separation. (Compliance with CS 25.721(c) and CS 25.963(d)(5).)

For configurations where the nacelle is likely to come into contact with the ground, failure under overload should be considered. Consideration should be given to the separation of an engine nacelle (or nacelle + pylon) under predominantly upward loads and under predominantly aft loads. The predominantly upward load and the predominantly aft load conditions should be analysed separately. It should be shown that at engine/pylon failure the fuel tank itself is not ruptured at or near the engine/pylon attachments.

e. Landing gear separation. (Compliance with CS 25.721(a) and CS 25.963(d)(5).)

Failure of the landing gear under overload should be considered, assuming the overloads to act in any reasonable combination of vertical and drag loads, in combination with side loads acting both inboard and outboard. In the absence of a more rational analysis, the side loads must be assumed to be up to 20% of the vertical load or 20% of the drag load, whichever is greater. It should be shown that at the time of separation the fuel tank itself is not ruptured at or near the landing gear attachments. The assessment of secondary impacts of the airframe with the ground following landing gear separation is not required. If the subsequent trajectory of a separated landing gear would likely puncture an adjacent fuel tank, design precautions should be taken to minimise the risk of fuel leakage.

f. Compliance with the provisions of this paragraph may be shown by analysis or tests, or both.

5. OTHER CONSIDERATIONS

a. Supporting structure. In accordance with CS 25.561(c) all large mass items that could break loose and cause direct injury to occupants must be restrained under all loads specified in CS 25.561(b). To meet this requirement, the supporting structure for fuel tanks, should be able to withstand each of the emergency landing load conditions, as far as they act in the 'cabin occupant sensitive directions', acting statically and independently at the tank centre of gravity as if it were a rigid body. Where an empennage includes a fuel tank, the empennage structure supporting the fuel tank should meet the restraint conditions applicable to large mass items in the forward direction.

Figure 1: Diagram of Fuel Tank in Underslung Wing that is Outside of the Fire Resistant Boundary

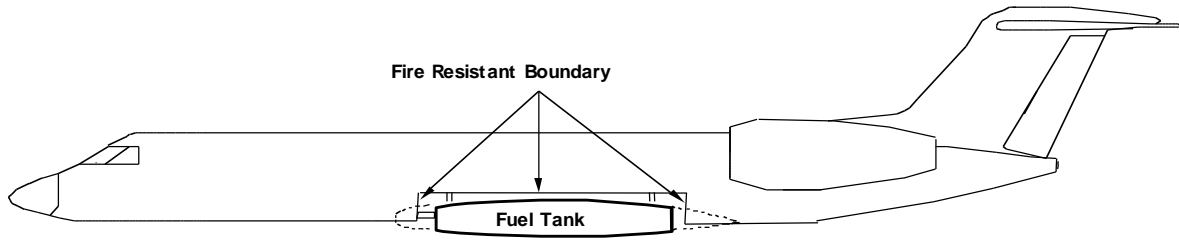


Figure 2: Diagram of Fuel Tank Within a Movable Tailplane

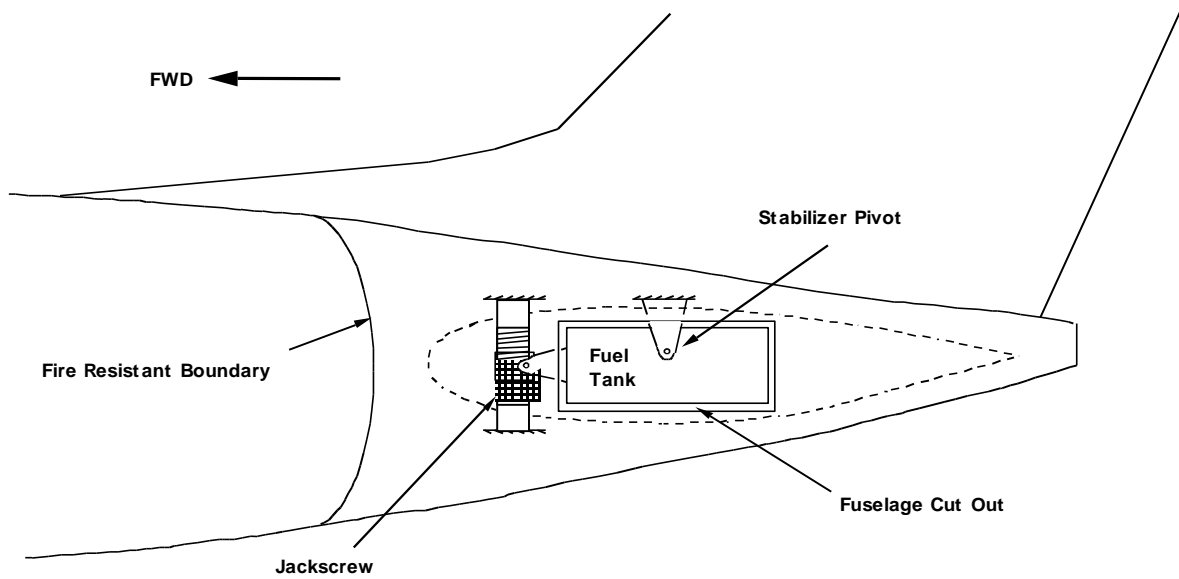


Figure 3- Example of Distances For Fuel Forward Acting Design Pressure Calculations

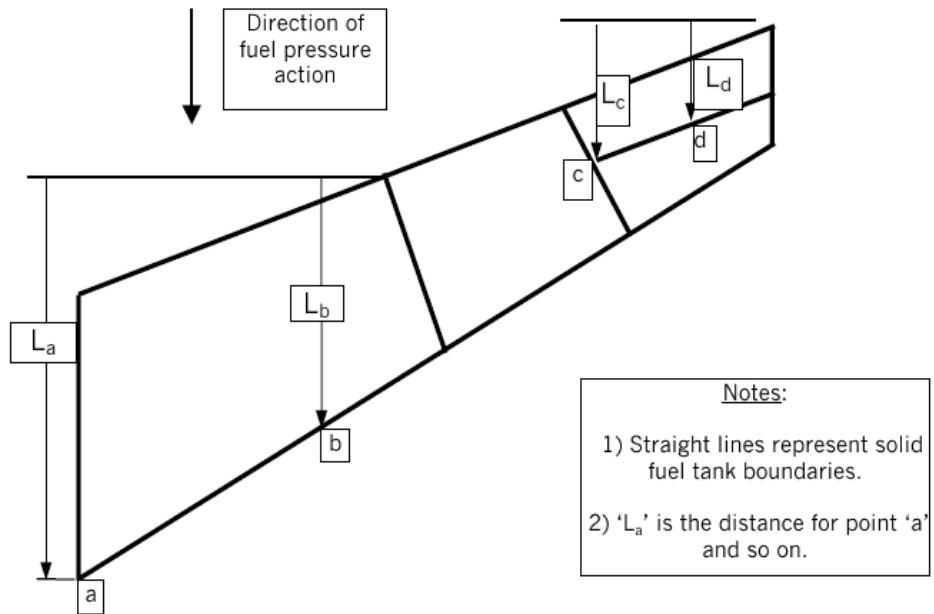
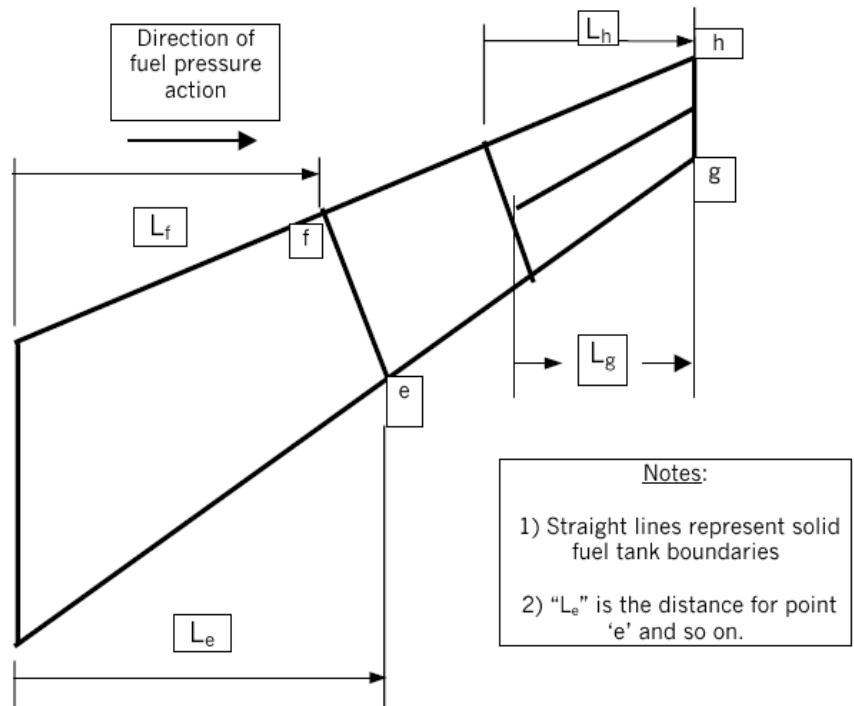


Figure 4 - Example of Distances For Fuel Outboard Acting Design Pressure Calculations



[Amdt. No.: 25/3]

CS-25 BOOK 2**AMC 25.963(e)
Fuel Tank Protection**

1. **PURPOSE.** This AMC sets forth a means of compliance with the provisions of CS-25 dealing with the certification requirements for fuel tanks (including skin and fuel tank access covers) on large aeroplanes. Guidance information is provided for showing compliance with the impact and fire resistance requirements of CS 25.963(e).

2. **BACKGROUND.** Fuel tanks have failed in service due to impact with high speed objects such as failed tyre tread material and engine debris following engine failures. Failure of a fuel tank may result in hazardous fuel leak.

3. **IMPACT RESISTANCE.**

a. All fuel tanks must be designed to address penetration and deformation by tyre fragments, wheel fragments, small debris from uncontained engine failure or APU failure, or other likely debris (such as runway debris), unless the fuel tanks are located in an area where service experience or analysis indicates a strike is not likely. The rule does not specify rigid standards for impact resistance because of the wide range of likely debris which could impact the fuel tanks. The applicant should, however, choose to minimise penetration and deformation by analysis supported by test, or test, of fuel tanks using debris of a type, size, trajectory and velocity that represents conditions anticipated in actual service for the aeroplane model involved. There should be no hazardous fuel leak after impact.

A hazardous fuel leak results if debris impact to a fuel tank surface (or resulting pressure wave) causes:

- (i) a running leak,
- (ii) a dripping leak, or
- (iii) a leak that, 15 minutes after wiping dry, results in a wetted aeroplane surface exceeding 15.2 cm (6 in) in length or diameter.

The leak should be evaluated under maximum fuel pressure (1g on ground with full fuel volume, and also considering any applicable fuel tank pressurisation).

b. The following may be used for evaluating fuel tanks for impact resistance to tyre, wheel, engine and APU debris.

Furthermore, protecting the fuel tank against the threats defined in the models below would also protect against threats originating from foreign objects projected from the runway.

(i) Wheel and Tyre Debris - Fuel tanks must be protected against threats from wheel and tyre failures. Refer to AMC 25.734, which provides wheel and tyre failure threat models.

(ii) Engine Debris - The following provides the definition of a debris model to be used for protection of the fuel tanks against the threat of small engine debris (propulsion engines). It also describes how the debris model impacts a surface and a pass-fail criteria is provided.

This debris model is considered to be representative of the threat created by engine small non-rotating and rotating parts debris, including ricochets, occurring after an uncontained engine failure event. It is considered to address High Bypass Ratio and Low Bypass Ratio turbine engines.

Note: AMC 20-128A remains applicable to engine debris, other than small engine fragments, threatening fuel tanks as described here, and also remains applicable to all engine debris to other areas of the aircraft structures and systems.

CS-25 BOOK 2**A. Definition of the debris**

A solid steel cube with a 9.5 mm (3/8 in) edge length.

B. Velocity of the debris

The velocity of the cube at the impact is 213.4 m/s (700 ft/s).

C. Impact areas and pass-fail criteria

Two areas are to be considered. See also Figure 1 below.

(1) ± 15-degree area

Within 15 degrees forward of the fan plane (or front engine compressor if no fan) measured from the centre of rotation to 15 degrees aft of the rearmost engine turbine plane measured from the centre of rotation, a normal impact is used (i.e. the angle between the trajectory of the debris and the surface is 90 degrees).

The impact should not create a hazardous fuel leak (see definition in paragraph 3.a of this AMC).

The leak should be evaluated under maximum fuel pressure (1g on ground with full fuel volume, and also considering any applicable fuel tank pressurisation).

(2) Area between – 15 and – 45 degrees (aft of the rearmost engine turbine plane)

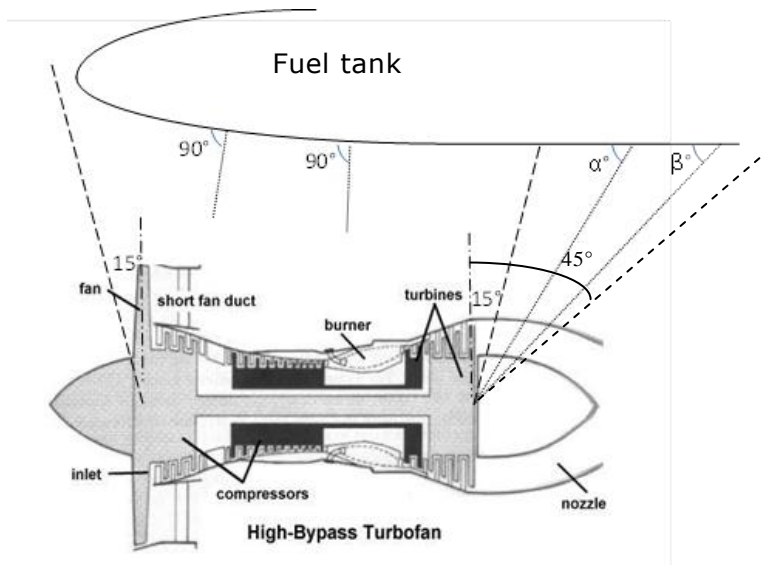
Within this area, the angle of impact (see Figure 1, α and β angles) is defined by the trajectory of the debris originating from the centre of rotation of the rearmost engine turbine plane.

Similarly, as within the ± 15-degree area, the impact should not create a hazardous fuel leak.

D. Guidance material

- When showing compliance with oblique impacts, it is acceptable to consider a normal impact using a debris velocity at impact equal to the normal component of the oblique velocity vector.
- Orientation of the cube at the impact: testing and analysis should ensure that all orientations (side-on, edge-on, and corner-on) are represented.
- Impact tests should be completed in adequate number to show repeatable stable localised damage modes and damage extents for all impactor orientations (side-on, edge-on, and corner-on).

CS-25 BOOK 2



Note: α and β angles are examples of possible angles between the fuel tank skin and the debris trajectory at the impact.

Figure 1 — Cube impact angles

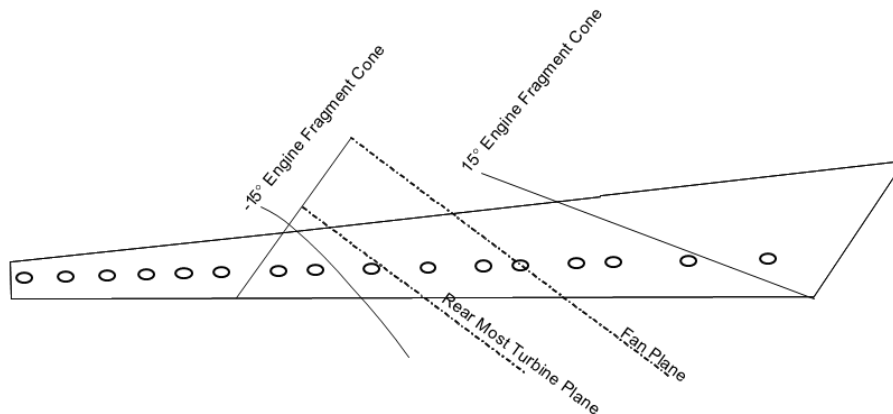


Figure 2 — Example of the ± 15 -degree threat area representation

Note: The threat area between -15 and -45 degrees is not represented.

(iii) APU Debris — For small APU debris, the small fragment model as defined in AMC 20-128A applies. The impact should not create a hazardous fuel leak (as defined in paragraph 3.a above).

Note: AMC 20-128A remains applicable to APU debris, other than small APU fragments, threatening fuel tanks as described here, and also remains applicable to all APU debris to other areas of the aircraft structures and systems.

CS-25 BOOK 2**4. RESISTANCE TO FIRE.**

Fuel tank access covers meet the requirements of CS 25.963(e)(2) if they are fabricated from solid aluminium or titanium alloys, or steel. They also meet the above requirement if one of the following criteria is met.

a. The covers can withstand the test of AC 20-135, "Powerplant Installation and Propulsion System Component Fire Protection Test Methods, Standards, and Criteria", issued 2/9/90, or ISO 2685-1992(E), "Aircraft Environment conditions and test procedures for airborne equipment - Resistance to fire in designated fire zones", for a period of time at least as great as an equivalent aluminium alloy in dimensions appropriate for the purpose for which they are used.

b. The covers can withstand the test of AC 20-135, Powerplant Installation and Propulsion System Component Fire Protection Test Methods, Standards, and Criteria, issued 2/9/90, or ISO 2685-1992(E), Aircraft - Environment conditions and test procedures for airborne equipment - Resistance to fire in designated fire zones, for a period of time at least as great as the minimum thickness of the surrounding wing structure.

c. The covers can withstand the test of AC 20-135, Powerplant Installation and Propulsion System Component Fire Protection Test Methods, Standards, and Criteria, issued 2/9/90, or ISO 2685-1992(E), Aircraft - Environment conditions and test procedures for airborne equipment - Resistance to fire in designated fire zones, for a period of 5 minutes. The test cover should be installed in a test fixture representative of actual installation in the aeroplane. Credit may be allowed for fuel as a heat sink if covers will be protected by fuel during all likely conditions. The maximum amount of fuel that should be allowed during this test is the amount associated with reserve fuel. Also, the static fuel pressure head should be accounted for during the burn test. There should be no burn-through or distortion that would lead to fuel leakage at the end of the tests; although damage to the cover and seal is permissible.

[Amdt. No.: 25/3]

[Amdt. No.: 25/14]

AMC 25.963(g)**Fuel Tanks: General**

(Revoked)

[Amdt. No.: 25/3]

AMC 25.965(a)**Fuel Tank Tests**

The analysis or tests should be performed on each complete tank in the configuration ready and capable of flight. Each complete tank means any tank fully equipped which is isolated from other tanks by tank walls or which may be isolated by valves under some flight configurations.

AMC 25.967(a)(3)**Fuel Tank Installation**

The installation of a flexible tank and its venting, according to CS 25.975(a)(3) should be such that the tank liner will not be deformed in such a way as to significantly affect the fuel quantity indication.

AMC 25.979(d)**Pressure Fuelling Systems**

1 Pressure fuelling systems, fuel tanks and the means preventing excessive fuel pressures, should be designed to withstand normal maximum fuelling pressure of not less than 345 kN/m² (50 psi) at the coupling to the aeroplane.

2 Pressure fuelling systems should be so arranged that the fuel entry point is at or near the bottom of the tank so as to reduce the level of electrostatic charge in the tank during fuelling.

CS-25 BOOK 2

**AMC 25.981(a)
Ignition precautions**

1. Introduction

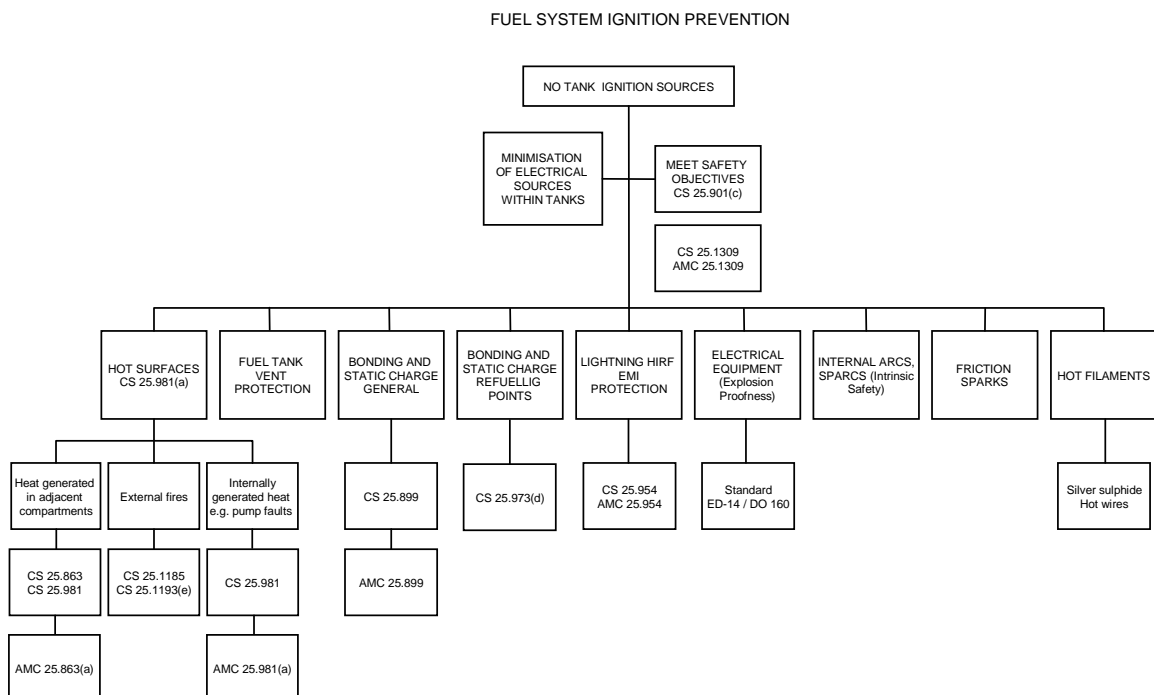
Service history has shown that ignition sources have developed in aircraft fuel tanks due to unforeseen failure modes or factors that may not have been considered at the time of original certification of the aircraft.

2. Background

There are three primary phenomena that can result in ignition of fuel vapours in aeroplane fuel tanks. The first is electrical arcs. The second is friction sparks resulting from mechanical contact of rotating equipment in the fuel tank. The third is hot surface ignition or auto ignition.

The conditions required to ignite fuel vapours from these ignition sources vary with pressures and temperatures within the fuel tank and can be affected by sloshing or spraying of fuel in the tank. Due to the difficulty in predicting fuel tank flammability and eliminating flammable vapours from the fuel tank, design practices have assumed that a flammable fuel air mixture exists in aircraft fuel tanks and require that no ignition sources be present.

Any components located in or adjacent to a fuel tank must be qualified to meet standards that assure, during both normal and failure conditions, ignition of flammable fluid vapours will not occur. This is typically done by a combination of design standards, component testing and analysis. Testing of components to meet explosion proof requirements is carried out for various single and combinations of failures to show that arcing, sparking, auto ignition or flame propagation from the component will not occur. Testing for components has been accomplished using standards and component qualification tests. The standards include for example Eurocae ED-14 / RTCA DO160 and BS 3G 100 that defines explosion proof requirements for electrical equipment and analysis of potential electrical arc and friction sparks.



CS-25 BOOK 2

Therefore the focus of this evaluation of the aircraft fuel system should be to identify and address potential sources of ignition within fuel tanks, which may not previously have been considered to be unsafe features.

3. Ignition Sources**3.1 Electrical Arcs and Sparks**

Ignition sources from electrical arcs can occur as a result of electrical component and wiring failures, direct and indirect effects of lightning, HIRF / EMI, and static discharges.

The level of electrical energy necessary to ignite fuel vapours is defined in various standards. The generally accepted value is 0.2 millijoules. An adequate margin needs to be considered, when evaluating the maximum allowable energy level for the fuel tank design.

3.2 Friction Sparks

Rubbing of metallic surfaces can create friction spark ignition sources. Typically this may result from debris contacting a fuel pump impeller or an impeller contacting the pump casing.

3.3 Hot Surface Ignition

Guidance provided in AC 25-8 has defined hot surfaces which come within 30 degrees Centigrade of the autogenous ignition temperature of the fuel air mixture for the fluid as ignition sources. It has been accepted that this margin of 30 degrees Centigrade supported compliance to CS 25.981(a). Surface temperatures not exceeding 200 °C have been accepted without further substantiation against current fuel types.

4. Lessons learned**4.1 Introduction**

As detailed above, the fuel system criticality may not have been addressed in the past against current understanding as far as the ignition risk is concerned. Inspections and design review have been performed, resulting in findings detailed below. One of the main lessons learned is to minimize electrical sources within fuel tanks (see § 4.3).

4.2 Components in-service experience

The following sections intend to present a list of faults, which have occurred to fuel system components. By its nature it cannot be an exhaustive list, but is only attempting to provide a list of undesirable features of fuel system components that should be avoided when designing fuel tanks.

- Pumps:

- a) Pump inducer failures have occurred resulting in ingestion of the inducer into the pump impeller and release of debris into the fuel tank.
- b) Pump inlet check valves have failed resulting in rubbing on pump impeller.
- c) Stator windings have failed during operation of the fuel pump. Subsequent failure of a second phase of the pump caused arcing through the fuel pump housing.
- d) Thermal protective features incorporated into the windings of pumps have been deactivated by inappropriate wrapping of the windings.
- e) Cooling port tubes have been omitted during pump overhaul.
- f) Extended dry running of fuel pumps in empty fuel tanks, violation of manufacturers recommended procedures, suspected of being causal factors in two incidents.

CS-25 BOOK 2

- g) Use of steel impellers which might produce sparks if debris enters the pump.
 - h) Debris has been found lodged inside pumps.
 - l) Pump power supply connectors have corroded allowing fuel leakage and electrical arcing.
 - j) Electrical connections within the pump housing have been exposed and designed with inadequate clearance from the pump cover resulting in arcing.
 - k) Resettable thermal switches resetting at higher trip temperature.
 - l) Flame arrestors falling out of their respective mounting.
 - m) Internal wires coming in contact with the pump rotating group, energising the rotor and arcing at the impeller / adapter interface.
 - n) Poor bonding across component interfaces.
 - o) Insufficient ground fault current capability.
 - p) Poor bonding of components to structure.
 - q) Loads from the aeroplane fuel feed plumbing were transferred.
 - r) Premature failure of fuel pump thrust bearings allowing steel rotating parts to contact the steel pump side plate.
- Wiring to Pumps located in metallic conduits or adjacent to fuel tank walls.
Wear of Teflon sleeves and wiring insulation allowing arcing to conduit causing an ignition source in tank, or arcing to the tank wall.
 - Fuel Pump Connectors
Electrical arcing at connections within electrical connectors has occurred due to bent pins or corrosion.
 - FQIS Wiring
Degradation of wire insulation (cracking) and corrosion (copper sulphate deposits) at electrical connectors, unshielded FQIS wires have been routed in wire bundles with high voltage wires.
 - FQIS Probes
Corrosion and copper sulphide deposits have caused reduced breakdown voltage in FQIS wiring, FQIS wiring clamping features at electrical connections on fuel probes has caused damage to wiring and reduced breakdown voltage. Contamination in the fuel tanks including: steel wool, lock wire, nuts, rivets, bolts; and mechanical impact damage, caused reduced arc path between FQIS probe walls.
 - Bonding Straps
Corrosion, inappropriately attached connections (loose or improperly grounded attachment points). Static bonds on fuel system plumbing connections inside the fuel tank have been found corroded or mechanically worn.
 - Failed or aged seals
Seal deterioration may result in leak internal or external to fuel system, as well as fuel spraying.

4.3 Minimising electrical components hazards within fuel tanks

One of the lessons learned listed above is the undesirable presence of electrical components within fuel tanks. Power wiring has been routed in conduits when crossing fuel tanks, however, chaffing has occurred within conduits. It is therefore suggested that such wiring should be routed outside of fuel tanks to the maximum extent possible. At the equipment level, connectors and adjacent areas should be taken into account during the explosion proofness qualification of the equipment (typically, pumps).

However, for some wiring, such as FQIS or sensor wiring, it might be unavoidable to route them inside of tanks, and therefore they should be qualified as intrinsically safe. The Safety

CS-25 BOOK 2

Assessment section below indicates how any residual fuel tank wiring may be shown to meet the required Safety Objectives.

5. Safety assessment**5.1 Introduction**

The fuel system must comply with CS 25.901(c), which requires compliance to CS 25.1309. According to CS 25.981(a)(3), a Safety Assessment of the fuel system should be performed showing that the presence of an ignition source within the fuel system is Extremely Improbable and does not result from a single failure, as per CS 25.1309 and the corresponding AMC 25.1309 principles.

The Acceptable Means of Compliance (AMC) 25.1309, "System Design and Analysis" describes methods for completing system safety assessments (SSA). The depth and scope of an acceptable SSA depends upon the complexity and criticality of the functions performed by the system under consideration, the severity of related failure conditions, the uniqueness of the design and extent of relevant service experience, the number and complexity of the identified causal failure scenarios, and the ability to detect contributing failures. The SSA criteria, process, analysis methods, validation and documentation should be consistent with the guidance material contained in AMC 25.1309.

Failure rates of fuel system component should be carefully established as required using in-service experience to the maximum extent.

5.2 Assumptions and Boundary Conditions for the Analysis:

The analysis should be conducted based upon assumptions described in this section.

5.2.a Fuel Tank Flammability

The system safety analysis should be prepared considering all aircraft flight and ground conditions, assuming that an explosive fuel air mixture is present in the fuel tanks at all times.

5.2.b Failure Condition Classification

Unless design features are incorporated that mitigate the hazards resulting from a fuel tank ignition event, (e.g. polyurethane foam), the SSA should assume that the presence of an ignition source is a catastrophic failure condition.

5.2.c Failure conditions

The analysis should be conducted assuming deficiencies and anomalies, failure modes identified by the review of service information on other products as far as practical, and any other failure modes identified by the fuel tank system functional hazard assessment. The effects of manufacturing variability, ageing, wear, corrosion, and likely damage should be considered.

In service and production functional tests, component acceptance tests and maintenance checks may be used to substantiate the degree to which these states must be considered. In some cases, for example component bonding or ground paths, a degraded state will not be detectable without periodic functional test of the feature. For these features, inspection/test intervals should be established based on previous service experience on equipment installed in the same environment. If previous experience on similar or identical components is not available, shorter initial inspection/test intervals should be established until design maturity can be assured.

- Fuel Pumps.

CS-25 BOOK 2

Service experience shows that there have been a significant number of failure modes, which have the capability of creating an ignition source within the tank. Many of these are as the result of single failures, or single failures in combination with latent failures. It should be shown that fuel pumps do not run dry beyond their qualified level. If fuel pumps can be uncovered during normal operation, it is recommended that pumps are shut down automatically and that the shutdown feature is sufficiently robust such that erroneous pump running does not cause a hazard. It is also recommended to consider the inlet design such that the ingestion of FOD is minimized. It is acceptable to uncover pumps when operating under negative "g" conditions.

- Fuel Pump Wiring.

Despite precautions to prevent fuel pump wire chafing, arc faults have occurred. For pump wire installations within the tank or adjacent to the tank wall to remain acceptable, additional means must be provided to isolate the electrical supply, in the event of arc faults. The means must be effective in preventing continued arcing to the conduit or the tank wall.

- FQIS Wiring.

Although in recent times, constructors have made attempts to segregate FQIS wiring from other aircraft wiring, it is recognised that it is not possible to be confident, at the design stage, that the segregation will remain effective over the whole fleet life. Subsequent aircraft modifications in service may negate the design intentions. To counter this threat to FQIS wiring, additional design precautions should be considered to prevent any unwanted stray currents, from entering the tank. The precautions taken must remain effective, even following anticipated future modifications.

- Bonding Schemes.

Service experience has shown that the required Safety Objectives can be met with a redundant bonding scheme incorporating dual electrical paths, with appropriate level of inspection. No definitive advice can be given about the inspection period, but it is expected that the design and qualification of the bonding leads and attachments (or alternative bonding means) will be sufficiently robust, so that frequent inspections will not be needed.

5.2.d External Environment

The severity of the external environmental conditions that should be considered are those established by certification regulations and special conditions (e.g., HIRF, lightning), regardless of the associated probability. For example, the probability of lightning encounter should be assumed to be one.

5.3 Qualitative Safety Assessment

The level of analysis required to show ignition sources will not develop will depend upon the specific design features of the fuel tank system being evaluated. Detailed quantitative analysis should not be necessary if a qualitative safety assessment shows that features incorporated into the fuel tank system design protect against the development of ignition sources within the fuel tank system. For example, if all wiring entering the fuel tanks was shown to have protective features such as separation, shielding or surge suppressors, the compliance demonstration would be limited to demonstrating the effectiveness of the features and defining any long term maintenance requirements so that the protective features are not degraded.

CS-25 BOOK 2**5.4 Component Qualification Review**

Qualification of components such as fuel pumps, using the standard specifications has not always accounted for unforeseen failures, wear, or inappropriate overhaul or maintenance. Service experience indicates that the explosion proofness demonstration needs to remain effective under all of the continued operating conditions likely to be encountered in service. Therefore an extensive evaluation of the qualification of components may be required if qualitative assessment does not limit the component as a potential ignition source.

5.5 Electrical sparks

A failure analysis should be performed of all fuel systems and sub systems with wiring routed into fuel tanks. Systems that should be considered include, temperature indication, Fuel Quantity Indication System, Fuel Level sensors, fuel pump power and control and indication, and any other wiring routed into or adjacent to fuel tanks. The analysis must consider system level failures and also component level failures mentioned in Section 4.2 and discussed below. Component failures, which have been experienced in service, are to be considered as probable, single failures. The analysis should include existence of latent failures, such as contamination, damage/pinching of wires during installation or corrosion on the probes, connectors, or wiring and subsequent failures that may lead to an ignition source within the fuel tank. The wire routing, shielding and segregation outside the fuel tanks should also be considered. The evaluation must consider both electrical arcing and localised heating that may result on equipment, fuel quantity indicating system probes, and wiring.

5.5.a Electrical Short Circuits

5.5.a.1 Effects of electrical short circuits, including hot shorts, on equipment and wiring which enter the fuel tanks should be considered, particularly for the fuel quantity indicating system wiring, fuel level sensors and probes.

5.5.a.2 The evaluation of electrical short circuits must consider shorts within electrical equipment.

5.5.b Electromagnetic Effects, including Lightning, EMI, and HIRF

5.5.b.1 Effects of electrical transients from lightning, EMI or HIRF on equipment and wiring within the fuel tanks should be considered, particularly for the fuel quantity indicating system wiring and probes.

5.5.b.2 Latent failures such as shield and termination corrosion, shield damage, and transient limiting device failure should be considered and appropriate indication or inspection intervals established.

5.5.b.3 The evaluation of electromagnetic effects from lightning, EMI, or HIRF must be based on the specific electromagnetic environment of a particular aircraft model. Standardized tests such as those in EUROCAE ED-14/RTCA DO-160 Sections 19, 20 and 22 are not sufficient alone, without evaluation of the characteristics of the specific electromagnetic environment for a particular aircraft model to show that appropriate standardised ED-14/DO-160 test procedures and test levels are selected. Simulation of various latent failures of fuel system components within the tanks may be required to demonstrate the transient protection effectiveness.

5.6 Friction Sparks:

The analysis should include evaluation of the effects of debris entering the fuel pumps, including any debris that could be generated internally such as any components upstream of the pump inlet. Service experience has shown that pump inlet check valves, inducers, nuts,

CS-25 BOOK 2

bolts, rivets, fasteners, sealant, lock wire etc. have been induced into fuel pumps and contacted the impeller. This condition could result in creation of friction sparks and should be considered as part of the system assessment when conducting the system safety assessment.

6. Instructions for continued airworthiness for the fuel tank system

The analysis conducted to show compliance with CS 25.981(a) may result in the need to define certain required inspection or maintenance items. Any item that is required to assure that an ignition source does not develop within the fuel tank or maintain protective features incorporated to prevent a catastrophic fuel tank ignition event must be incorporated in the limitations section of the instructions for continued airworthiness or in the maintenance program.

[Amdt. No.: 25/1]

AMC 25.981(b)(1)**Fuel tank flammability design precautions**

The intention of this requirement is to introduce design precautions, to avoid unnecessary increases in fuel tank flammability. These precautions should ensure:

- (i) no large net heat sources going into the tank,
- (ii) no unnecessary spraying, sloshing or creation of fuel mist,
- (iii) minimization of any other energy transfer such as HIRF;

Applicants should limit the heat inputs to the maximum extent. Heat sources can be other systems, but also include environmental conditions such as solar radiation. The following design features have been found acceptable:

- heat insulation between a fuel tank and an adjacent heat source (typically ECS packs),
- forced ventilation around a fuel tank,
- fuel transfer logic leaving sufficient fuel in transfer tanks exposed to solar radiations on the ground in order to limit their effects
- heat rejecting paintings or solar energy reflecting paints to limit the heat input by solar radiation.

A critical parameter is the maximum temperature rise in any part of the tank under warm day conditions during a 4 hours ground operation. Any physical phenomenon, including environmental conditions such as solar radiation, should be taken into account. A temperature increase in the order of 20°C limit has been found acceptable for tanks not fitted with an active Flammability Reduction Means and therefore unable to meet the exposure criteria as defined in M25.1(b)(1).

Note 1: for tanks fitted with Flammability Reduction Means, applicants should limit heat and energy transfers to the maximum extent. No maximum temperature increase limit is defined; however the 20 °C limit is applicable in case of dispatch with the active Flammability Reduction Means inoperative.

Note 2: the maximum temperature increase under the conditions described above should be quantified whether or not the affected tank is fitted with a Flammability Reduction Means.

[Amdt. No.: 25/6]

CS-25 BOOK 2**AMC 25.981(b)(2)****Fuel tank flammability definitions**

Equivalent Conventional Unheated Aluminium Wing is an integral tank in an unheated semi-monocoque aluminium wing of a subsonic aeroplane that is equivalent in aerodynamic performance, structural capability, fuel tank capacity and tank configuration to the designed wing.

Fleet Average Flammability Exposure is defined in Appendix N and means the percentage of time the fuel tank ullage is flammable for a fleet of an aeroplane type operating over the range of flight lengths.

[Amdt. No.: 25/6]

AMC 25.994**Fuel System Components**

FAA Advisory Circular 25.994-1 Design Considerations To Protect Fuel Systems During A Wheels-Up Landing, dated 24/07/86, is accepted by the Agency as providing acceptable means of compliance with CS 25.994.

AMC 25.1027**Inadvertent Propeller Feathering**

The design of the propeller feathering system should be such that it is possible to complete the feathering and the unfeathering operation under all normal operating conditions.

AMC 25.1027(b)**Propeller Feathering**

The amount of trapped oil should be sufficient to cover one feathering operation; taking into account the maximum oil leakage in the feathering system due to wear and deterioration in service.

AMC 25.1041**Tests in hot climatic conditions**

The need for additional tests, if any, in hot climatic conditions should take account of any tests made by the engine constructor to establish engine performance and functioning characteristics and of satisfactory operating experience of similar power units installed in other types of aeroplane.

The maximum climatic conditions for which compliance will be established should be declared and this should not be less severe than the ICAO Intercontinental Maximum Standard Climate (37.8°C (100°F) at sea level). If the tests are conducted under conditions which deviate from the maximum declared ambient temperature, the maximum temperature deviation should not normally exceed 13.9°C (25°F).

AMC 25.1091(d)(2)**Precipitation Covered Runways**

1 Except where it is obvious by inspection or other means, that precipitation on the runway would not enter the engine air intake under the declared operating conditions, including the use of the thrust reverser, compliance with the requirements should be demonstrated by tests using tyres representative of those to be approved for operational use. These tests should clear the aeroplane for operation from runways which are normally clear and also for operation in precipitation up to 13 mm (0.5 in) depth of water or dense slush. The tests should be conducted with the minimum depth of 13 mm (0.5 in) and an average depth of 19 mm (0.75 in), or if approval is sought for a greater depth than 13 mm (0.5 in), the average depth should be 1.5 times the depth for which the take-offs are to be permitted, and the minimum depth should be not less than the depth for which take-offs are to be permitted.

CS-25 BOOK 2

2 It should be shown that the engines operate satisfactorily without unacceptable loss of power at all speeds from zero up to lift-off speed and in the attitudes likely to be used. Any special aeroplane handling techniques necessary to ensure compliance with the requirement should comply with the handling techniques assumed in establishing the scheduled performance of the aircraft.

3 The tests may be made in water or slush either by complete take-offs and landings as necessary in the specified precipitation conditions, or by a series of demonstrations in areas of precipitation sufficiently large to permit the spray pattern to become stabilised and to determine engine behaviour and response. Experience has shown that where a trough is used, a length of 70 to 90 m (230 to 295 ft) is usually satisfactory. If marginal results are obtained the effect of the difference between water and slush should be examined.

4 The effects of cross-winds should be examined and where necessary a cross-wind limitation established for inclusion in the Flight Manual for operation from precipitation covered runways.

5 It may be difficult to deduce the effect of low density precipitation (dry snow) from high density testing, but nevertheless clearance of the aeroplane for operation in dense precipitation up to 13 mm (0.5 in) will usually clear the aeroplane for operation in low density precipitation of depths greater than 10 cm (4 in) depth. If clearance is requested for operation in low density precipitation of depths greater than 10 cm (4 in) additional tests (in low density precipitation having a depth close to that for which approval is sought) will be necessary.

6 When auxiliary devices are fitted to prevent spray from being ingested by the engines it will be necessary to do additional tests in low density precipitation to permit operations in depths greater than 25 mm (1 in).

AMC 25.1091(e)
Air Intake System

The parts or components to be considered are, for example, intake splitters, acoustic lining if in a vulnerable location and inlet duct-mounted instrumentation.

AMC 25.1093(b)
Propulsion Engine Air Intakes

1 *General.* Two ways of showing compliance with CS 25.1093(b) are given.

1.1 *Method 1.* Method 1 is an arbitrary empirical method based on United Kingdom and French practice. This method is acceptable to all participating countries.

1.2 *Method 2.* Method 2 is a general approach based on US practice in applying FAR Part 25, Appendix C. If this method is used, each application will have to be evaluated on its merits.

2 *Method 1 (Acceptable Means of Compliance)*

2.1 In establishing compliance with the requirements of CS 25.1093(b), reference should be made to AMC 25.1419, paragraph 1.

2.2 The intake may be tested with the engine and propeller where appropriate in accordance with the requirements of CS-E 780 and AMC E 780.

2.3 When the intake is assessed separately (e.g. lack of suitable test facilities, change in the design of the intake, intake different from one tested with the engine) it should be shown that the effects of intake icing would not invalidate the engine tests of CS-E. Factors to be considered in such evaluation are:

- a. Distortion of the airflow and partial blockage of the intake.
- b. The shedding into the engine of intake ice of a size greater than the engine is known to be able to ingest.
- c. The icing of any engine sensing devices, other subsidiary intakes or equipment contained within the intake.

CS-25 BOOK 2

d. The time required to bring the protective system into full operation.

2.4 *Tests in Ice-forming Conditions.* An acceptable method of showing compliance with the requirements of CS 25.1093(b), including Appendix C, is given in this paragraph.

2.4.1 When the tests are conducted in non-altitude conditions, the system power supply and the external aerodynamic and atmospheric conditions should be so modified as to represent the required altitude condition as closely as possible. The altitudes to be represented should be as indicated in Table 1 for simulated tests, or that appropriate to the desired temperature in flight tests, except that the test altitude need not exceed any limitations proposed for approval. The appropriate intake incidences or the most critical incidence, should be simulated.

2.4.2 A separate test should be conducted at each temperature condition of Table 1, the test being made up of repetitions of either the cycle –

a. 28 km in the conditions of Table 1 column (a) appropriate to the temperature, followed by 5 km in the conditions of Table 1 column (b) appropriate to the temperature, for a duration of 30 minutes, or

b. 6 km in the conditions of Table 1 column (a) appropriate to the temperature, followed by 5 km in the conditions of Table 1 column (b) appropriate to the temperature, for a duration of 10 minutes.

TABLE 1

Ambient air temperature (°C)	Altitude		Liquid water content (g/m ³)		Mean effective droplet diameter (µm)
	(ft)	(m)	(a)	(b)	
-10	17000	5182	0.6	2.2	20
-20	20000	6096	0.3	1.7	
-30	25000	7620	0.2	1.0	

2.4.3 Either by separate tests, or in combination with those of 2.4.2 it should be demonstrated that the ice accretion is acceptable after a representative delay in the selection of the ice-protection systems, such as might occur during inadvertent entry into the conditions. In lack of other evidence a delay of two minutes (to switch on the system) should normally be achieved. The time for the system to warm up should be represented.

2.4.4 For each test, the ice protection supply should be representative of the minimum engine power for which satisfactory operation in icing conditions is claimed.

2.4.5 If at the conclusion of each of the tests of 2.4.2 there is excessive ice accretion then the heat flow and airflow should be changed simultaneously to simulate an engine acceleration to demonstrate the pattern of ice shedding, which should be acceptable to the engine.

2.4.6 Where the minimum engine power necessary to provide adequate protection (as established in 2.4.2) is greater than that required for descent, an additional test representative of the minimum engine power associated with descent should be conducted by means of either –

a. A run at the -10°C condition of Table 1, column (a), for sufficient duration to cover an anticipated descent of 3048 m (10 000 ft), or

b. A run simulating an actual descent, at the conditions of Table 1 column (a), covering an altitude change of not less than 3048 m (10 000 ft), the highest total temperature reached being not more than 0°C.

2.4.7 If at the conclusion of the test in 2.4.6 there is excessive ice accretion then the heat flow and airflow should be changed simultaneously to simulate an engine acceleration and the ambient

CS-25 BOOK 2

temperature should be increased to above 0°C to demonstrate the pattern of total ice shedding which should be acceptable to the engine.

2.4.8 If the intake contains features or devices which could be affected by freezing fog conditions then in addition to the above tests of 2.4.2, 2.4.3 and 2.4.6 a separate test on these parts should be conducted for a duration of 30 minutes, in an atmosphere of -2°C and a liquid water concentration of 0.3 g/m³, with the heat supply to the tested part as would be available with the engine set to the minimum ground idle conditions approved for use in icing. The mean effective droplet size for the test should be 20 µm. At the end of the period the ice accretion on the tested part should not prevent its proper functioning, nor should the ice be of such size as to hazard the engine if shed.

3 *Method 2* (Interpretative Material)

3.1 In establishing compliance with the requirements of CS 25.1093(b), reference should be made to CS 25.1419 and AMC 25.1419.

3.2 The intake may be tested with the engine and propeller where appropriate in accordance with a programme of tests which results from an analysis of the icing conditions and the engine conditions appropriate to the installation.

3.3 When the intake is assessed separately it should be shown that the effects of intake icing would not invalidate any engine certification tests. Factors to be considered in such evaluation are –

- a. Distortion of the airflow and partial blockage of the intake.
- b. The shedding into the engine of intake ice of a size greater than the engine is known to be able to ingest.
- c. The icing of any engine sensing devices, other subsidiary intakes or equipment contained within the intake.
- d. The time required to bring the protective system into full operation.

3.4 When tests are conducted in non-altitude conditions, the system power supply and the external aerodynamic and atmospheric conditions should be so modified as to represent the altitude condition as closely as possible. The appropriate intake incidences or the most critical incidence, should be simulated.

3.5 Following the analysis required in CS 25.1419(b), which will determine the critical icing conditions within the envelope of icing conditions defined by Appendix C Figures 1 to 3 and Appendix C Figures 4 to 6, tests should be conducted at such conditions as are required to demonstrate the adequacy of the design points.

3.6 It should be demonstrated that the ice accretion is acceptable after a representative delay in the selection of the ice protection systems, such as might occur during inadvertent entry into the conditions. In lack of other evidence a delay of two minutes (to switch on the system) should normally be achieved in continuous maximum icing conditions. The time for the system to warm up should be represented.

3.7 If at the conclusion of each of the tests there is excessive ice accretion then the heat flow and airflow should be changed simultaneously to simulate an engine acceleration to demonstrate the pattern of ice shedding, which should be acceptable to the engine.

3.8 Where the minimum engine power necessary for adequate protection as established above is greater than that required for descent, this should be considered in the analysis, and test evidence may have to be provided to demonstrate acceptability. The icing conditions and vertical extent are as in Figure 1 of Appendix C. Any ice able to be shed from the intake into the engine should be acceptable to the engine.

3.9 If the intake contains features or devices which could be affected by freezing fog conditions then a separate assessment for these parts should be conducted assuming a duration of 30 minutes and an atmosphere of -2°C, and a liquid water concentration of 0.3 g/m³, with the heat supply to the tested part as would be available with the engine set to the minimum ground idle conditions approved for use in icing. The mean effective droplet size should be 20 µm. At the end of the period the ice

CS-25 BOOK 2

accretion on the part should not prevent its proper functioning, nor should the ice be of such size as to hazard the engine if shed.

AMC 25.1103(d)
Air Intake System Ducts

For a single failure case leading to a fire and air duct rupture, consideration should be given to the possibility of fire aggravation due to air flowing into a designated fire zone of an engine from the remaining engine(s), or another source outside the affected fire zone.

AMC 25.1121(a)
General

1 If necessary, each exhaust system should be provided with drains to prevent hazardous accumulation of fuel under all conditions of operation.

2 Tests should be made to demonstrate compliance with CS 25.1121(a) and these should include engine starting in downwind conditions and thrust reversal.

AMC 25.1121(b)
General

Leakage should be interpreted to include fuel discharged from the jet pipe under false start conditions both on the ground and in flight. It should be demonstrated that successive attempts to restart do not create a fire hazard. The maximum time for complete drainage of fuel following a false start should be established. This period will be used to determine the minimum interval between start attempts.

AMC 25.1141(f)
Powerplant Controls, General

A continuous indicator need not be provided.

AMC 25.1155
Reverse Thrust and Propeller Pitch Settings Below the Flight Regime

1. PURPOSE. This AMC provides guidance for demonstrating compliance with the certification requirement relating to controls which regulate reverse thrust or propeller pitch settings below the flight regime on Large Aeroplanes.

2. RELATED CERTIFICATION SPECIFICATIONS.

Paragraphs which prescribe requirements for the design, substantiation, and certification relating to the control of reverse thrust and propeller pitch settings below the flight regime of Large Aeroplanes include:

- §25.777 Cockpit Controls.
- §25.779 Motion and effect of cockpit controls
- §25.781 Cockpit control knob shape
- §25.901 Installation
- §25.903 Engines
- §25.933 Reversing systems
- §25.1141 Powerplant controls: General
- §25.1143 Engine controls
- §25.1149 Propeller speed and pitch controls
- §25.1155 Reverse thrust and propeller pitch settings below the flight regime

CS-25 BOOK 2

- §25.1305 Powerplant instruments
- §25.1309 Equipment, systems, and installations.
- §25.1322 Warning, caution, and advisory lights
- §25.1337 Powerplant instruments

3. APPLICABILITY.

The basic provisions of CS 25.1155 require that the control for selecting reverse thrust (propeller pitch settings below the flight regime) have a positive lock or stop at the flight idle position as well as separate and distinct operation by the flight crew to displace the control from the in-flight regime. These basic provisions are applicable to all Large Aeroplanes.

The specific provisions of CS 25.1155 are applicable to the control system protecting against the intentional or the inadvertent in-flight selection of the thrust reverser for turbojet powered airplanes or propeller operation at pitch settings below the flight regime for turboprop powered airplanes. However, the specific provisions would not be applicable to a turbojet powered airplane whose reverser was certified for in-flight use or to a turbo-propeller powered airplane whose propellers were certified for pitch settings below the normal in-flight operating regime.

In addition to the 25.1155 applicability limitations noted above, the intentional selection provisions should not be interpreted to include a pilot who knowingly gains in-flight access to the prohibited engine control regime by:

- a) disabling a protective control system (i.e. throttle baulk or warning) by pulling circuit breaker, or
- b) ignoring a clearly annunciated protective control system failure warning or caution message.

4. BACKGROUND.

CS 25.1155 was derived from the equivalent FAA rule and therefore the requirement history below relates to the development of FAR 25.1155. Also the operational occurrences and the development of continued airworthiness solutions mentioned below, are based, largely, on the U.S experience.

a. *Requirement History.* The requirements to guard against inadvertent operation of both cockpit mounted propeller and turbojet reverse control lever(s) date back to CAR 4b (4b.474a). When part 25 was codified in 1965, only the turbojet reverse section of the subject requirement was retained as FAR §25.1155. In 1967, Amendment 25-11 broadened §25.1155 to once again include protection against inadvertent in-flight operation of thrust reversers and propeller pitch settings below the flight regime. This Amendment required the cockpit propeller control to incorporate positive locks or stops at the flight idle position, and further specified that the control means must require a separate and distinct operation by the crew, in order to displace the propeller control from the flight regime.

b. *Operational Experience - Turbo-propeller powered Airplanes.* In-service experience during the late 1980s and 1990s of some turbo-propeller powered transport category airplanes, has shown that intentional or inadvertent in-flight operation of the propeller control systems below flight idle has produced two types of hazardous, and in some cases, catastrophic conditions:

- (i) Permanent engine damage and total loss of thrust on all engines when the propellers that were operating below the flight regime drove the engines to over-speed, and;
- (ii) Loss of airplane control because at least one propeller operated below the flight regime during flight creating asymmetric control conditions.

As a result of this unsatisfactory service experience, in-flight beta lockout systems were retroactively required (via Airworthiness Directives) on several transport category turboprop airplanes. These beta lock-out systems were required only after it was determined that increased crew training, installation of cockpit placards warning crews not to use beta in flight, and stronger wording in AFM warnings and limitations did not preclude additional in-flight beta events.

CS-25 BOOK 2

In addition to the continued airworthiness issues noted above, the FAA also recognized the need to update the FAR requirement to require some form of design improvements for new airplanes. Until the rule changes noted above are complete, the FAA is using the no unsafe feature or characteristic provisions of 21.21(b)(2) to require installation of beta lockout systems on new transport category turbo-propeller powered airplanes.

Intentional selection of beta mode/reverse in flight for rapid aircraft deceleration was not specifically addressed by this regulation. Also, FAR 25.933(b) had been interpreted as not requiring, for turbo-propeller aircraft, an interlock or other automatic device to prohibit movement of the power lever by the flight crew below the flight idle stop when the aircraft is in flight.

Consequently, initial FAA certification of transport category turbo-propeller aircraft has not required an in-flight beta lockout device to prevent intentional selection of the beta mode/reverse in flight.

Typical beta lockout systems currently use wheel spin-up, squat switch activation, gear-up switch activation, or combinations of these. Certain airplanes, especially those with low wings and without ground spoilers, have a tendency to float during landing. In the case of these airplanes, the application of beta may be delayed on a wet runway because, while the airplane is floating, the ground logic or the wheel spin-up may not activate immediately.

Landing performance of turbo-propeller-powered airplanes is based on ground idle availability, which is part of the beta range. Turbo-propeller-powered airplanes landing on field length-limited runways with delayed beta application present a potential hazard. Overruns are more likely to occur if operating under part 91 (un-factored field lengths); however, the risks are also present if operating under parts 121 or 135 (factored field lengths) on a wet runway. Paragraph (b) of the rule prohibits override, however, there are several acceptable methods that may be used to overcome the deficiencies of the squat switch or wheel spin-up logic alone, such as the use of a radar altimeter or multiple air/ground logic inputs.

c. *Operational Experience - Turbo-jet (Turbo-fan) Powered Airplanes.* For turbojet (turbofan) thrust reversers, there has not been such a bad accident experience of pilot initiated thrust reverser deployment as for the turbo-propeller airplanes, but they have occurred. There has also been a number of reported cases, where the thrust reversers have been selected before touch down, in order to minimize the landing roll. In these cases, the provision of a weight-on-wheels (WOW) interlock as part of the thrust reverser design, prevented the deployment of the reverser. However, the basic concern about the need to avoid a reversing condition, outside any approved operating regime, is the same for a thrust reverser equipped aircraft, as it is for a propeller powered aircraft i.e. the prevention of Catastrophic failure conditions.

§25.933(a) and its AC / AMC describe means by which the thrust reverser system can be shown to have sufficient system integrity, to meet the required Safety Objectives. If the reliability method of compliance with §25.933(a) is used, the probability of an unwanted reverser deployment in flight will be shown to be <1E-09. In this case, where very low probabilities of system failures are demonstrated, it was considered to be inappropriate that a single event of pilot selection could cause the same effect, - a reverser deployment. Recognition that occurrences of thrust reverser selection in flight have occurred, reinforced by the growing perception that human factors need to be considered, has resulted in thrust reverser controls being considered equally. This approach ensures consistency in the application of §25.1155 to both turbo-prop and turbo-jet (turbo-fan) reversing systems.

The design objective sought by §25.1155 has been a common design practice for many turbo-jet (turbofan) thrust reverser designs. This rule establishes that a means to prevent crew selection or activation of reverse thrust or propeller pitch settings below the flight regime must be provided, as the minimum required standard.

d. *Override Systems.* Historically, some turbo-propeller systems have been provided with an override capability, such that on landing, if the selection of pitch below flight idle is not successful - because of system failures or because signals used in the system may not have transitioned to the ground mode - the flight crew could select the override function to enable use of pitch below flight idle during ground operation.

As mentioned above, many turbo-jet (turbofan) powered airplanes equipped with thrust reversers have utilized weight-on-wheels, or other air-ground logic, to prevent selection or activation of thrust

CS-25 BOOK 2

reversers in flight. Generally, these systems have been capable of successful operation, despite not being equipped with any form of over-ride. It is the intention of the revised version of §25.1155 to prevent any selection or activation of propeller pitch below the flight regime or reverse thrust in flight. The provision of any override, which would allow selection or activation of propeller pitch below the flight regime or reverse thrust out the approved in flight envelope for that function would not comply with the §25.1155. The design of the system to show compliance with §25.1155 will need to take into account the Safety Objectives associated with the maintenance of the required landing performance.

5. DEFINITIONS.

- a. *Approved in-flight operating envelope.* An area of the Normal Flight Envelope where a function has been accepted as suitable by the Authorities.
 - b. *Catastrophic.* See AMC 25.1309.
 - c. *Continued Safe Flight and Landing.* See AMC 25.1309.
 - d. *Failure.* See AMC 25.1309.
 - e. *Flight idle position.* The position of thrust/power lever corresponding to the minimum forward thrust, power or pitch setting authorized in flight.
 - f. *Inadvertent.* Action performed by the pilot who did not mean to do it.
 - g. *In-flight.* That part of aeroplane operation beginning when the wheels are no longer in contact with the ground during the take-off and ending when the wheels again contact the ground during landing.
 - h. *Intentional.* Action performed by the pilot who meant to do it
 - i. *Propeller pitch control system.* All those system components which enable the flight crew to command and control propeller pitch
 - j. *Remote.* See AMC 25.1309.
 - k. *Reverse control system.* All those system components which enable the flight crew to command and control the thrust reverser
 - l. *Separate and distinct.* More than or in addition to a continuation of motion required for movement and obvious to each member of the flight crew
 - m. *Thrust Reversal.* A movement of all or part of the thrust reverser from the forward thrust position to a position that spoils or redirects the engine airflow.
 - n. *Turbojet (or turbofan).* A gas turbine engine in which propulsive thrust is developed by the reaction of gases being directed through a nozzle.
 - o. *Turbo-propeller.* A gas turbine engine in which propulsive thrust is developed by the propeller
6. COMPLIANCE with CS 25.1155.

- a. *Cockpit controls.* The cockpit controls mean the control devices used by the crew to select the reverse thrust or the propeller pitch below the flight regime. (See CS 25.1141, 25.1143 and 25.1149)

Cockpit controls design must be adequate to permit the crew to perform the handling of the aircraft and to follow the procedures as per AFM, while mitigating crew errors.

- b. *Preventative means.* Acceptable means to prevent intentional or inadvertent selection or activation of reverse thrust or propeller pitch below the flight regime can be:
 - 1) Devices to prevent movement of the cockpit control which prevents selection, or
 - 2) Logic in the Thrust Reverser or Propeller Control which prevents activation.

CS-25 BOOK 2

c. *Separate and distinct.* To move cockpit controls from the Flight Idle position must require a separate and distinct operation of the control to pass from the Flight Idle position to positions approved only for ground operation. The control must also have features to prevent inadvertent movement of the control through the Flight Idle position. It must only be possible to make this separate and distinct operation once the control has reached the Flight Idle position.

Separate and distinct is more than or in addition to a continuation of motion required for movement to the Flight Idle setting and must be obvious to the flight crew.

Examples of separate and distinct controls that have been used in previous designs are as follows:

- i) Physically separate forward/reverse [below flight idle] control levers or mechanisms.
- ii) Manually actuated latches located on or in the vicinity of the control that cannot be actuated until Flight Idle.
- iii) A required change in direction of operation of the control from that needed for movement to Flight Idle.

Examples of separate and distinct control operation, which would not be acceptable include:

- i) a separate operation, which can be activated away from the Flight Idle position, so that movement of the control from forward thrust to below the flight regime or thrust reversal can be accomplished with a single action.
- ii) any separate operation, where latches or equivalent devices can be pre-loaded by the pilot so that a single movement of the control, enables movement below flight idle.
- iii) any control arrangement, where it can be ascertained that normal wear and tear could cause the separate and distinct action to be lost.

d. *Cockpit indications.* The overall indication requirements for Thrust Reverser Control System and Propeller Pitch Control System are given in the CS 25.933, 25.1305(d)(2), 25.1309(c), 25.1322, and 25.1337(e) paragraphs and their associated AMCs. The following text adds some specific guidance with respect to the requirements of paragraph CS 25.1155(d) and (e).

Sub-paragraphs “(d)” and “(e)” of the rule require crew cautions to be provided for two conditions:

“(d)” when the means ‘to prevent both inadvertent and intentional selection of propeller pitch settings below the flight regime (thrust reversal for turbo-jet powered airplanes) when out of the approved in-flight operating envelope for that function’ is lost. The purpose of this caution is to inform the flight crew that a fault has occurred to the propeller pitch control system or the thrust reverser control system, so that the protection means is no longer available and any movement of the control below the flight regime (forward thrust regime) may cause a low pitch/high drag condition or thrust reverser deployment. With this information, the flight crew will be able to take appropriate precautions, as advised by approved Manuals and reinforced by their training, to minimise the possibility of a hazardous condition. Without this caution, a fault in the protection means could allow an unsafe condition to occur, whereby any inadvertent or intentional movement of the control below the flight regime could cause a hazardous low pitch or reverse thrust condition.

“(e)” when the cockpit control is displaced from the flight regime (forward thrust for turbo-jet powered airplanes) into a position to select propeller pitch settings below the flight regime (thrust reversal for turbo-jet powered airplanes) and the airplane is outside the approved in-flight operating envelope for that function. On some anticipated system designs, the pilot will have the ability to move the cockpit control below the flight regime (into thrust reverse for turbo-jet powered airplanes) with no restriction, other than the ‘separate and distinct operation’ required by CS 25.1155(a). For this type of design, the means to prevent propeller pitch settings below the flight regime (reverse thrust for turbo-jet powered airplanes) when out of the approved in-flight operating envelope for that function will be a part of the propeller pitch control system or the thrust reverser system. Whilst there is no immediate hazard at that point, the control is not in the proper position for flight operations and the flight crew need to be made aware of that situation, so that they can take the appropriate action. In some of the accidents, where the control had been moved into the ‘below flight’ regime, it was not clear whether this control movement had been inadvertent or intentional. Provision of this caution will give the crew a clear indication of any incorrect placement of the control however the control was positioned. For any design, where there is approval for selection of propeller pitch

CS-25 BOOK 2

settings below the flight regime (reverse thrust for turbo-jet powered airplanes), there will be no need to provide this caution when the aircraft is in the approved in-flight operating envelope for that function. Also, as made clear in CS 25.1155(e), there is no requirement to provide any caution for control movement, when on the ground.

e. Reliability considerations. The intention of CS 25.1155(b) is for the aircraft design to include a means to prevent the flight crew selecting (or activating) propeller pitch settings below the flight regime or reverser deployment, when the aircraft is not in the approved in-flight operating envelope for that function. The introduction of the rule stems directly from a number of cases, where such a selection has caused accidents. Because of a large variability in the current perception of the future occurrence rate for this type of flight crew error, a target reliability level for the prevention means is included in the rule, see CS 25.1155(c). This level of reliability is expected to give a high degree of protection from the unwanted selection or activation of low propeller pitch or reverser deployment. The provision of the cautions should provide the necessary safeguard, on the few occasions when the prevention means fails. Additionally, this target safety level should not be inconsistent with the required availability of the reversing function for landing performance.

The safety assessment methods established by CS 25.901(c) and CS 25.1309(b) are appropriate for the determination of the reliability level required by CS 25.1155(c) and for assessing the effects of any other failure conditions or malfunctions.

f. *Reverser/pitch below flight regime availability on ground.* Landing or Aborted take-off distances on wet runways usually take credit for the braking effect created by reverse thrust or propeller pitch below flight idle. Therefore availability of these systems when in the approved operating envelope must be maintained.

It must therefore be shown that failures in the system provided to meet CS 25.1155(b) do not degrade significantly the availability of the reverse thrust or low pitch selection on ground.

7. INSTRUCTIONS FOR CONTINUED AIRWORTHINESS.

a. *Manufacturing/Quality.* Due to the criticality of the reverse thrust function or pitch below flight regime function, manufacturing and quality assurance processes should be assessed and implemented, as appropriate, to ensure the design integrity of the critical components.

b. *Maintenance and Alterations.* Reference to CS 25.901(b)(2) and CS 25.1529/Appendix H. The criticality of the control system requires that maintenance and maintainability be emphasized in the design process and derivation of the maintenance control program, as well as subsequent field maintenance, repairs, or alterations.

c. *Manuals- Limitations/Procedures.* Prohibition of use of reverse thrust or pitch settings below the flight regime when outside the approved in-flight operating envelope for that function should be introduced in AFM.

Cautions as described in 1155(d) and (e) and their related procedures should be included in the Operations Manual.

AMC 25.1181

Designated Fire Zones

1 ISO 2685, (15 JULY 1992) 'Aircraft – Environmental conditions and test procedures for airborne equipment – Resistance to fire in designated fire zones', gives test conditions and methods of demonstrating compliance with the 'Fire-resistant' and 'Fireproof' requirements.

2 Tests to demonstrate compliance with the standard grades of resistance to fire may not be necessary if similarity can be shown with other components which have been tested in accordance with this standard.

3 For example, materials which are considered satisfactory for use in firewalls without being subjected to fire tests include –

- a. Stainless steel sheet 0.4 mm (0.016 in) thick;
- b. Mild steel sheet protected against corrosion 0.45 mm (0.018 in) thick; and

CS-25 BOOK 2

- c. Titanium sheet 0.45 mm (0.018 in) thick.

AMC 25.1189**Flammable fluid shut-off means****1. PURPOSE.**

This Acceptable Means of Compliance (AMC) provides information and guidance concerning a means, but not the only means, of compliance with CS 25.1189 which pertains to the shut-off of flammable fluids for fire zones of Transport Category Aeroplanes. Accordingly, this material is neither mandatory nor regulatory in nature and does not constitute a regulation. In lieu of following this method, the applicant may elect to establish an alternate method of compliance that is acceptable to the Agency for complying with the requirements of the CS-25 paragraphs listed below.

2. SCOPE.

This AMC provides guidance for a means of showing compliance with regulations applicable to flammable fluid shut-off capability in Transport Category Airplanes. This guidance applies to new designs as well as modifications such as the installation of new engines or APU's or modifications of existing designs that would affect compliance to the requirements for flammable fluid shut-off means to a fire zone.

3. RELATED CERTIFICATION SPECIFICATIONS.

CS 25.863, CS 25.1181, CS 25.1182, CS 25.1189, CS 25J1189.

4. OBJECTIVE

This advisory material provides guidelines for determining hazardous quantity of flammable fluids:

- A. With respect to the requirement CS 25.1189(a) that each fire zone must have a means to shut-off or otherwise prevent hazardous quantities of flammable fluids from flow into, within, or through the fire zone.
- B. With respect to the requirement of CS 25.1189 (e) that no hazardous quantity of flammable fluid may drain into any designated fire zone following shut-off.

5. BACKGROUND.

Guidance is required because of different and sometimes inconsistent interpretation of what hazardous quantity means.

Service History: The fire zone fire safety service history of CS-25 turbine engine aircraft has been very good, especially considering the potential hazards involved. This is attributed to the multi-faceted fire protection means required by CS-25. While it is not generally possible to define the contribution of each individual fire protection means, such as flammable fluid shut-off means, it is noted that the relatively few serious accidents that have occurred often involve initiating events such as engine separation or rotor non-containment, which can potentially negate some fire protection means, and in which flammable fluid shut-off means represent an important, or possibly sole, backup.

Previous incidents have shown that hydraulic system leaks have fuelled fires, especially when fluid mist is produced at high pressure due to small (pinhole) leaks. This type of leakage can be of considerable duration, even with a limited quantity of flammable fluid at the source.

CS-25 BOOK 2**6. DEFINITIONS.**

- A. Hazardous Quantity: An amount which could sustain a fire of sufficient severity and duration so as to result in a hazardous condition.
- B. Hazardous Condition: Failure Conditions which would reduce the capability of the aeroplane or the ability of the crew to cope with adverse operating conditions to the extent that there would be:
- (i) A large reduction in safety margins or functional capabilities;
 - (ii) Physical distress or higher workload such that the flight crew cannot be relied upon to perform their tasks accurately or completely; or
 - (iii) Serious or fatal injury to a relatively small number of the occupants;
 - (iv) For the purposes of this AMC, and specifically with respect to fire zone fires, any condition which could breach or exceed the fire zone integrity requirements or structural fireproofness requirements of CS-25.
- C. Flammable Fluid. Flammable, with respect to a fluid or gas, means susceptible to igniting readily or to exploding. For the purpose of this AMC igniting readily includes ignition and burning when introduced into an existing flame, and includes fluids such as fuels, hydraulic fluid (including phosphate ester based fluids), oils, and deicing fluids.

7. COMPLIANCE METHODOLOGY:

The quantity of flammable fluid which is hazardous may vary with fire zone size and design, fluid characteristics, different fire scenarios, and other factors. Since one of these factors is the presence or absence of flammable fluid shut-off means, the requirements of CS 25.1189(a) and CS 25.1189(e) are discussed separately below.

7.1 Shut-off Means Requirements (CS 25.1189(a))

Compliance with CS 25.1189(a) has been typically been shown by installation of shut-off means for flammable fluids that could contribute to the hazards associated with an engine fire, except for lines fittings, and components forming an integral part of an engine and/or fireproof oil system components, which are not required to have a shut-off means per CS 25.1189(a)(1) and (a)(2). Flammable fluids that have been considered include fuel supplied to the engine/APU, fuel that may enter the fire zone from engine recirculation systems and hydraulic fluids entering the fire zone. Oil that may be supplied from outside the fire zone, deicing fluid, and other fluids would require similar consideration, however these are not typically incorporated in modern CS-25 aircraft engine installations.

Although shut-off means are typically incorporated, CS 25.1189(a) allows the option of otherwise preventing flow of hazardous quantities of flammable fluids. A shut-off means is, therefore, not required if no possible scenario will result in the flow of hazardous quantities of flammable fluid. Factors to be considered in determination of whether this compliance means is acceptable include the following:

A. Considerations

- 1) Leakage rates and characteristics, including massive leakage caused by component failure or fire damage, and slow leakage, which may be a spray or mist if the source is under pressure, caused by failures such as cracks or pinholes.
- 2) The amount of fluid in the system that is subject to leakage.
- 3) Combining A.1), and A.2), the range of potential duration of leakage.
- 4) Scenarios in which the analysed system leakage is subject to ignition and is the initial fire source.

CS-25 BOOK 2

- 5) Scenarios in which the initial fire source is a different system, and fire damage to the analysed system can result in leakage which contributes to the magnitude or duration of the fire.

B. Compliance

Considering the above factors and service experience of oil systems without shut-off means, it is acceptable to not install a shut-off means for specific systems which contain flammable fluid if the following conditions are met:

- 1) All components of the analysed system within the fire zone are fireproof, and
- 2) The quantity of fluid which can flow into the fire zone is not greater than the fluid quantity of the engine or APU oil system for an engine or APU fire zone, and
- 3) Accomplishment of AFM Emergency Procedures will preclude continuation of a pressurized spray or mist.

The meeting of conditions (1)-(3) are considered acceptable in precluding a hazardous quantity of flammable fluids from flowing into, within or through any designated fire zone.

7.2 Drainage Following Shut-off Requirements (CS 25.1189(e))

Following shut-off, flammable fluid will be contained within the components and plumbing in the fire zone, and usually within plumbing between the firewall and shut-off means. This is due to other requirements which affect the location of the shut-off means and, therefore, the amount of fluid between the shut-off means and the firewall that may drain into the fire zone following shut-off. These include the requirement to protect the shut-off means from a fire zone fire (CS 25.1189(d)), a powerplant or engine mount structural failure (CS 25.1189(g)), and engine rotor failure (CS 25.903(d)(1)).

An analysis is required for each individual flammable fluid system to determine that the total amount is not hazardous. The analysis should consider the aircraft attitudes expected to be encountered during continued flight following shut-off, which may include emergency descent attitudes, but would not be expected to include climb attitudes steeper than those associated with one engine inoperative flight at V_2 . If the analysed system traverses more than one fire zone, each fire zone should be analysed separately for the maximum fluid volume which can drain into that fire zone. Credit should not be taken for fire extinguishing provisions. The following are alternate criteria for hazardous quantities of flammable fluid for this condition:

- A) A volume not exceeding 0.95 litre (1 US quarts) is not hazardous, or
- B) An amount shown not to be hazardous by analysis considering the factors listed in 7.1.A above.

Additional factors relevant to this condition following shut-off are reduction in pressurized spray or mist due to reduction or absence of system pressure, and the possibility of rapid leakage or drainage due to either an initial leak or fire damage of plumbing and components, such as aluminium components or non-metallic hoses, following the required fire resistance period. Hazard assessment of such rapid leakage and drainage may include airflow ventilation limitation of fire intensity, and fire duration limitation through fire zone drainage.

The analysis may consider that volume which is capable of being drained from the nacelle within a suitable period is not hazardous. The suitable period should be such that fluid leakage into the fire zone will not aggravate a fire beyond a fifteen minute period from its initiation. A five minute period may be suitable when considering fire resistant components and plumbing for which leakage due to fire damage will not occur during the first five minute period and may not occur immediately thereafter.

CS-25 BOOK 2

[Amdt. No.: 25/1]

AMC 25.1193(e)**Engine cowling and nacelle skin, APU compartment external skin****(a) PURPOSE**

This AMC provides guidance for showing compliance with the certification specifications relating to fire withstanding capability of engine cowlings and nacelles skins, and APU compartment external skins, in areas subject to flame if a fire starts in an engine or APU fire zone, in consideration of potential hazard levels associated to operating conditions (flight/ground).

(b) RELATED CERTIFICATION SPECIFICATIONS

CS 25.1193(e), CS 25J1193(e)

(c) APPLICABILITY

This AMC is applicable to engine cowlings and nacelles, and APU compartment external skins (fixed and/or removable).

(d) BACKGROUND

CS 25.1193(e) and CS 25J1193(e) previously required the engine cowlings/nacelle skins and APU compartment external skins to be fireproof if a fire starts in the engine power or accessory sections or in the APU compartment. During past Type certification projects, it has been found that having non-fireproof engine cowlings/nacelle skins in some locations under some operating conditions do not adversely affect safety. Consequently, in practice, not all cowlings/skins 'subject to flame if a fire starts in the engine power or accessory sections' have been required to be fireproof under all operating conditions and, for instance, some portions were approved as fire-resistant only for ground operating conditions. As it represented a rule relaxation, such non-fireproof cowlings/skins were formally found to be 'equivalently safe' to comply with the rule. Over time, however, these equivalent safety findings became inherent within traditionally accepted design practices. Certification Review Item (CRI) released to cover the relaxation included also interpretations for zone definitions and operating conditions to be considered for fireproofness or fire-resistance compliance demonstration.

(e) FIRE WITHSTANDING REQUIREMENTS, OPERATING CONDITIONS AND POTENTIAL HAZARDS**(1) General**

The required level of ability to withstand the effects of fire varies with the potential hazard level associated with different flight and ground operating conditions, as follows.

(2) Flight Conditions

For the purpose of CS 25.1193(e) and CS 25J1193(e), flight conditions are defined as aeroplane operation from airspeed above minimum V1 until minimum touchdown speed in approved normal or abnormal operations. Cowling and skin in areas subject to flame if a fire starts in an engine or APU fire zone must be demonstrated to be fireproof.

For demonstrating the fireproof capabilities of the cowling/skin, the following apply:

- (i) Credit from the external airflow on the cowling/skin can be considered.
- (ii) The airflow levels and the engine/APU powers should be consistent with the operating conditions. These parameters should be examined and the most critical ones should be determined.
- (iii) The engine/APU should be considered to be operative for the first 5 minutes, and during the remaining 10 minutes under windmilling conditions for engine and stopped conditions for the APU.

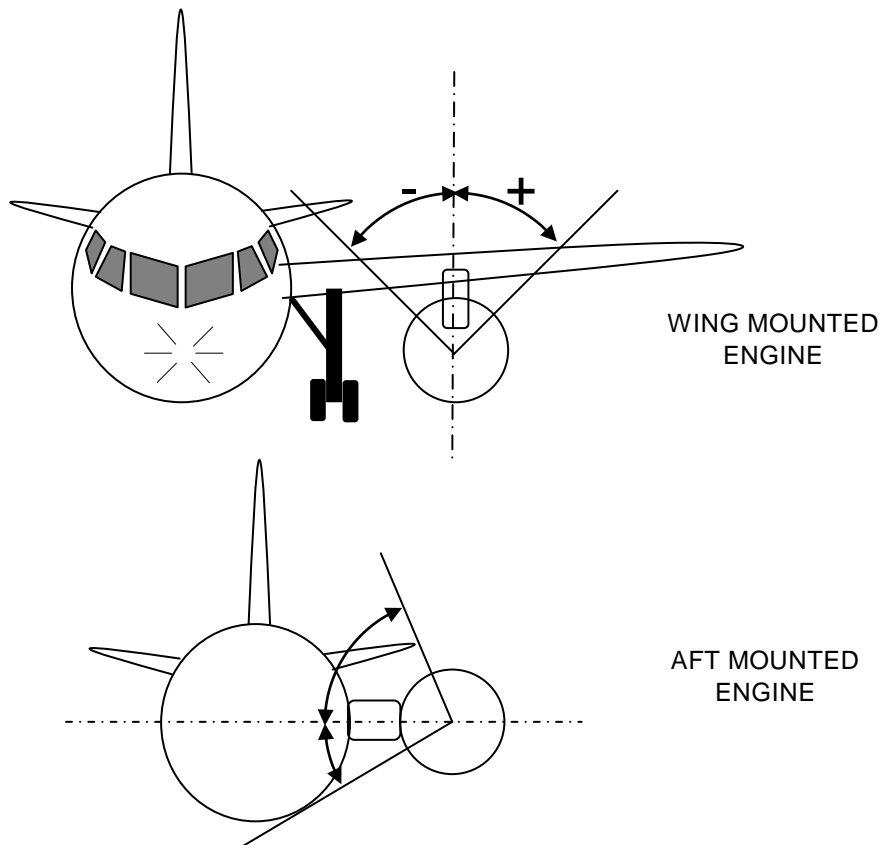
(3) Ground conditions

CS-25 BOOK 2

For the purpose of CS 25.1193(e) and CS 25J1193(e), ground conditions are defined as aircraft operation not covered by the flight conditions provided in subparagraph (e)(2) of this AMC. It includes static, taxiing, take-off roll, and landing roll.

- (i) *Areas where fireproof skins are required* — The portion of cowling and skin in areas subject to flames if a fire starts in an engine or APU fire zone, and located so that not containing the effects of the fire could result in serious hazards to the aircraft, injuries to crew, passengers or ground personnel, must be fireproof under all conditions. Serious hazards include, but are not limited to, events such as fuel tank explosion, hazardous spread of fire to flammable fluid sources outside the fire zone, fuselage penetration and flight control surface damages.
- (A) *Pod-mounted engines*: The portion of the nacelle/cowling skin, which is required to be fireproof on ground, varies by installation. A design is considered acceptable when it is demonstrated that the fireproof area protects the pylon strut and other portions of the aircraft considered to be put at a serious hazard risk if a burn through occurs. Factors to consider within the analysis and to use when substantiating the design are: the engine location — wing or aft fuselage mounted, the coupling distance of the nacelle to the wing, the airflow characteristics, the fluid migration scheme and the fire plume patterns. After the initial analysis, similarity demonstration and in-service experience may be used as appropriate. Analyses have demonstrated that the typical area of concern ranges from 90° (□ 45°) to 180° (□ 90°) and is centred on the pylon centre line. This area may increase or decrease depending on the analysis results. For example, most wing mounted engines not closely coupled to the wing have been found acceptable with a □ 45° protection while more closely coupled installations and those with other unique design features have required □ 90° protection. The symmetry of the protection may also vary. Wing mounted engines usually have symmetrical protection while aft mounted engines may have non-symmetrical protection in order to cover more of the inboard area.

CS-25 BOOK 2



- (B) *Turbo-propellers, APUs and other non-pod-mounted engines:* Due to the wide variations in installation configurations, each installation should be evaluated to determine if not containing the effects of a fire would cause a serious hazard such as the examples above. If so, the affected area of the fire zone skin should be fireproof.
- (C) *For the purpose of the demonstration:*
- No credit from external airflow on the cowling/skin should be considered in conjunction with the assumption that the aircraft may be static.
 - The engine/APU should be considered to be operative for the first 5 minutes and stopped for the remaining 10 minutes.
 - Engine/APU operation — Requirements for ability of cowling/skin in areas subject to flames if a fire starts in an engine or APU fire zone to withstand the effects of fire in ground operating conditions apply with either the engine operating or not operating, whichever is the more critical. The Engine/APU operating conditions shall be justified by the applicant.
- (ii) *Other areas:* For the remaining portions of cowling/skin in areas subject to flames, if a fire starts in an engine or APU fire zone, the degree of fire resistance can be lower than 'fireproof' due to less serious or less probable hazard to the aircraft, crew, passengers and ground personnel under the critical operating conditions. Any burn through of the APU compartment external skin should consider hazards associated with combustion product and possible outgassing and re-ingestion of toxic air into cabin air system.
- (A) Fire-resistant cowlings/skins provide adequate fire protection for those areas as they provide sufficient time to stop the aeroplane and evacuate it.

CS-25 BOOK 2

- (B) A lower than 'fire-resistant' degree of fire protection may be considered; the following conditions should then be analysed and submitted to the Agency for approval:
- Cowling/skin should have the ability to withstand fire at least equivalent to the ability of a 1 mm (0.040 inch) aluminium sheet in the worst aircraft and engine/APU ground conditions anticipated;
 - Applicants must substantiate that this lower fire protection level will not lead to hazardous effects including but not limited to:
 - Upon burn through of the lower than 'fire-resistant' area, both the fire-resistant and/or fire-proof areas shall not have their fire withstanding capability affected,
 - Liberation of parts that would affect the aeroplane evacuation procedure or reduce the efficiency of fire protection means,
 - Reduction in flammable fluid drainage capability such that fire severity would be increased (magnitude, residual presence, propagation to surrounding area),
 - Reduction in aeroplane evacuation capability due to proximity to evacuation paths or due to the visibility of the fire hindering the ability of the passengers to evacuate the aeroplane in a rapid and orderly manner,

Note: There is some hazard involving aeroplane evacuation even in the absence of burn through due to such concerns as smoke and flaming liquids exiting from openings. Burn through of nacelle skin should not significantly increase these hazards.

 - Reduction in fire detection capability such that the flight crew would not be aware of the fire, especially in a situation involving taxiing prior to take-off,
 - Reduction in fire extinguishing capability which could cause or aggravate one of the potential hazards listed above.
 - Flammable fluid and/or fire spreading on the aeroplane evacuation path

(f) **SPECIFIC CONFIGURATION CONSIDERATIONS**

- (1) *Multiple skin layers:* For some specific fire zones, a fire originating in that zone will have to pass through several layers of cowling or skin before burning through the external skin. This may be the case, for example, for the core zone of some turbofan installations. In such cases, credit may be taken for multiple layers, having regard to the location of the fire source and the likely direction of propagation from that location, providing burn through of the inner layer does not produce other hazardous effects and it does not invalidate other certification specifications such as fire extinguishing capability. The corresponding compliance substantiation should take into account particular geometrical configuration with respect to the risk of flame propagation, as well as critical systems or structures.
- (2) *Inlet skins:* For external inlet skins, which enclose fire zones, the guidance provided above for multiple skin layers applies. Inlet ducts should meet CS 25.1103/CS 25J1103 specifications.
- (3) *Openings:* The following considerations are applicable to openings in a fire zone skin whether the openings are of fixed size, variable or controllable size, or normally closed, such as access or inspection doors, or pressure relief doors.
 - (i) Openings should be located such that flame exiting the opening would not enter any other region where it could cause a hazard in flight or a serious hazard on the ground as per subparagraph (e)(3). Exception is made for covered openings which meet the same criteria for ability to withstand the effects of fire as the surrounding cowl skin, and which are not expected to become open under fire conditions. Since pressure relief doors may open during some fire conditions, they should be

CS-25 BOOK 2

located such that flames exiting the door will not cause a hazard. However, doors that will remain closed during most fire conditions, or will tend to re-close following initial opening, have traditionally been assumed to be closed for the purposes of evaluating fire detection and extinguishing.

- (ii) Openings should have the same ability to withstand the effects of fire as the adjacent skin with respect to becoming enlarged under fire conditions. Some enlargement, such as burning away of louvers or doublers surrounding the opening or gapping of covered openings, is acceptable provided that the hazard is not significantly increased by a reduction in fire extinguishing or detection capability, increased airflow causing increase in fire size or intensity, or increase in probability of a hazardous spread of fire to other regions.
- (4) *Hinges, Fittings and Latches*: These attaching means maintaining the nacelle/cowlings between them or to the aircraft/engine/APU structure may need to have a greater ability to withstand the effect of fire than the surrounding skin. Loss of attaching means may create more severe hazards such as cowling liberation in comparison to a skin burn through. The applicant must justify the required level of fire withstanding capability by test and/or analysis.
- (5) *Seals*: Where seals are used part of the external engine nacelle/cowling or APU compartment boundaries, they should at least comply with the same fire integrity standard as the surrounding cowling/skin.

(g) COMPLIANCE DEMONSTRATION

Compliance should be substantiated per CS 25.1207. Substantiation involving airflow patterns may include analytical methods such as Computational Fluid Dynamics, test methods or other flow visualisation methods or a combination of these methods. Fire testing should be accomplished according to the guidance of ISO 2685 with considerations of applications of representative conditions (airflow, loads, vibrations) and establishment of appropriate pass/fail criteria (burn through, elongation, dislocation).

[Amdt No: 25/2013]

AMC 25.1195(b)
Fire Extinguisher Systems

Acceptable methods to establish the adequacy of the fire extinguisher system are laid down in Advisory Circular 20-100, with reference to Halon concentration levels. This AC is not applicable to extinguishing agents alternative to Halon.

[Amdt. No.: 25/12]

AMC 25.1197
Fire-Extinguishing Agents

Halon 1301 is no longer an acceptable extinguishing agent, based on EU Law¹, for engine nacelle and APU fire extinction systems to be installed in aircraft types, for which type certification is requested after 31 December 2014. (See AMC 25.851(c) for more information on Halon alternatives.)

[Amdt. No.: 25/12]

¹ Commission Regulation (EU) No 744/2010 of 18 August 2010 amending Regulation (EC) No 1005/2009 of the European Parliament and of the Council on substances that deplete the ozone layer, with regard to the critical uses of halon (OJ L 218, 19.8.2010, p. 2).

CS-25 BOOK 2**AMC – SUBPART F****AMC 25.1301(a)(2)****Function and Installation**

When pipelines are marked for the purpose of distinguishing their functions, the markings should be such that the risk of confusion by maintenance or servicing personnel will be minimised. Distinction by means of colour markings alone is not acceptable. The use of alphabetic or numerical symbols will be acceptable if recognition depends upon reference to a master key and any relation between symbol and function is carefully avoided. Specification ISO.12 version 2ED 1987 gives acceptable graphical markings.

[Amdt. No.: 25/5]

AMC 25.1302**Installed Systems and Equipment for Use by the Flight Crew**

TABLE OF CONTENT

1. Purpose
2. Background
3. Scope and Assumptions
4. Certification Planning
5. Design Considerations and Guidance
6. Means of Compliance

Appendix 1: Related Regulatory Material

Appendix 2: Definitions and Acronyms

1. PURPOSE

This Acceptable Means of Compliance (AMC) provides guidance material for demonstrating compliance with the requirements of CS 25.1302 and several other paragraphs in CS-25 that relate to the installed equipment used by the flight crew in the operation of an aeroplane. In particular, this AMC addresses the design and approval of installed equipment intended for the use of flight-crew members from their normally seated positions on the flight deck. This AMC also provides recommendations for the design and evaluation of controls, displays, system behaviour, and system integration, as well as design guidance for error management.

Applicants should use Paragraphs 4, 5 and 6 of this AMC together to constitute an acceptable means of compliance. Paragraph 4 “Certification Planning”, describes the activities and communication between the applicant and the Agency for certification planning. Paragraph 5 “Design Considerations and Guidance”, is organised in accordance with the sub-paragraphs of CS 25.1302 and identifies HF related design issues that should be addressed to show compliance with CS 25.1302 and other relevant rules. Paragraph 6 “Means of Compliance” describes general means of compliance and how they may be used.

2. BACKGROUND

Flight crews make a positive contribution to the safety of the air transportation system because of their ability to assess continuously changing conditions and situations, analyse potential actions, and make reasoned decisions. However, even well trained, qualified, healthy, alert flight-crew members make errors. Some of these errors may be influenced by the design of the systems and their flight crew interfaces, even with those that are carefully designed. Most of these errors have no significant safety effects, or are detected and/or mitigated in the normal course of events,. Still, accident analyses have identified flight crew performance and error as significant factors in a majority of accidents involving transport category aeroplanes.

Accidents most often result from a sequence or combination of errors and safety related events (e.g., equipment failure and weather conditions). Analyses show that the design of the flight deck and other systems can influence flight crew task performance and the occurrence and effects of some flight crew errors.

CS-25 BOOK 2

Some current regulatory requirements mean to improve aviation safety by requiring that the flight deck and its equipment be designed with certain capabilities and characteristics. Approval of flight deck systems with respect to design-related flight crew error has typically been addressed by referring to system specific or general applicability requirements, such as CS 25.1301(a), CS 25.771(a), and CS 25.1523. However, little or no guidance exists to show how the applicant may address potential crew limitations and errors. That is why CS 25.1302 and this guidance material have been developed.

Often, showing compliance with design requirements that relate to human abilities and limitations is subject to a great deal of interpretation. Findings may vary depending on the novelty, complexity, or degree of integration related to system design. The EASA considers that guidance describing a structured approach to selecting and developing acceptable means of compliance is useful in aiding standardised certification practices.

3. SCOPE AND ASSUMPTIONS

This AMC provides guidance for showing compliance with CS 25.1302 and guidance related to several other requirements associated with installed equipment the flight crew uses in operating the aeroplane. Table 1 below contains a list of requirements related to flight deck design and flight crew interfaces for which this AMC provides guidance. Note that this AMC does not provide a comprehensive means of compliance for any of the requirements beyond CS 25.1302.

This material applies to flight crew interfaces and system behaviour for installed systems and equipment used by the flight crew on the flight deck while operating the aeroplane in normal and non-normal conditions. It applies to those aeroplane and equipment design considerations within the scope of CS-25 for type certificate and supplemental type certificate (STC) projects. It does not apply to flight crew training, qualification, or licensing requirements. Similarly, it does not apply to flight crew procedures, except as required within CS-25.

In showing compliance to the requirements referenced by this AMC, the applicant may assume a qualified flight crew trained in the use of the installed equipment. This means a flight crew that is allowed to fly the aeroplane by meeting the requirements in the operating rules for the relevant Authority.

Paragraph 3 - Table 1: Requirements relevant to this AMC.

CS-25 BOOK 1 Requirements	General topic	Referenced material in this AMC
CS 25.771(a)	Unreasonable concentration or fatigue	Error, 5.6. Integration, 5.7. Controls, 5.3. System Behaviour, 5.5.
CS 25.771(c)	Controllable from either pilot seat	Controls, 5.3. Integration, 5.7.
CS 25.773	Pilot compartment view	Integration, 5.7.
CS 25.777(a)	Location of cockpit controls.	Controls, 5.3. Integration, 5.7.
CS 25.777(b)	Direction of movement of cockpit controls	Controls, 5.3. Integration, 5.7.
CS 25.777(c)	Full and unrestricted movement of controls	Controls, 5.3. Integration, 5.7.
CS 25.1301(a)	Intended function of installed systems	Error, 5.6. Integration, 5.7. Controls, 5.3. Presentation of Information, 5.4. System Behaviour, 5.5.
CS 25.1302	Flight crew error	Error, 5.6. Integration, 5.7. Controls, 5.3. Presentation of Information, 5.4. System Behaviour, 5.5.
CS 25.1303	Flight and navigation instruments	Integration, 5.7.
CS 25.1309(a)	Intended function of required equipment under all operating conditions	Controls, 5.3. Integration, 5.7.
CS 25.1309(c)	Unsafe system operating conditions and minimising crew errors which could create additional hazards	Presentation of information, 5.4. Errors, 5.6.

CS-25 BOOK 2

CS-25 BOOK 1 Requirements	General topic	Referenced material in this AMC
CS 25.1321	Visibility of instruments	Integration, 5.7.
CS 25.1322	Warning caution and advisory lights	Integration, 5.7.
CS 25.1329	Autopilot, flight director and autothrust	System Behaviour, 5.5.
CS 25.1523	Minimum flight crew	Controls, 5.3. Integration, 5.7.
CS 25.1543(b)	Visibility of instrument markings	Presentation of Information, 5.4.
CS 25.1555 (a)	Control markings	Controls, 5.3.
CS 25 Appendix D	Criteria for determining minimum flight crew	Integration, 5.7.

CS 25.1302 is a general applicability requirement. Other CS-25 requirements exist for specific equipment and systems. Where guidance in other AMCs is provided for specific equipment and systems, that guidance is assumed to have precedence if a conflict exists with guidance provided here. Appendix 1 of this AMC lists references to other related regulatory material and documents.

4. CERTIFICATION PLANNING

This paragraph describes applicant activities, communication between the applicant and the Agency, and the documentation necessary for finding compliance in accordance with this AMC. Requirements for type certification related to complying with CS-25 may be found in Part-21.

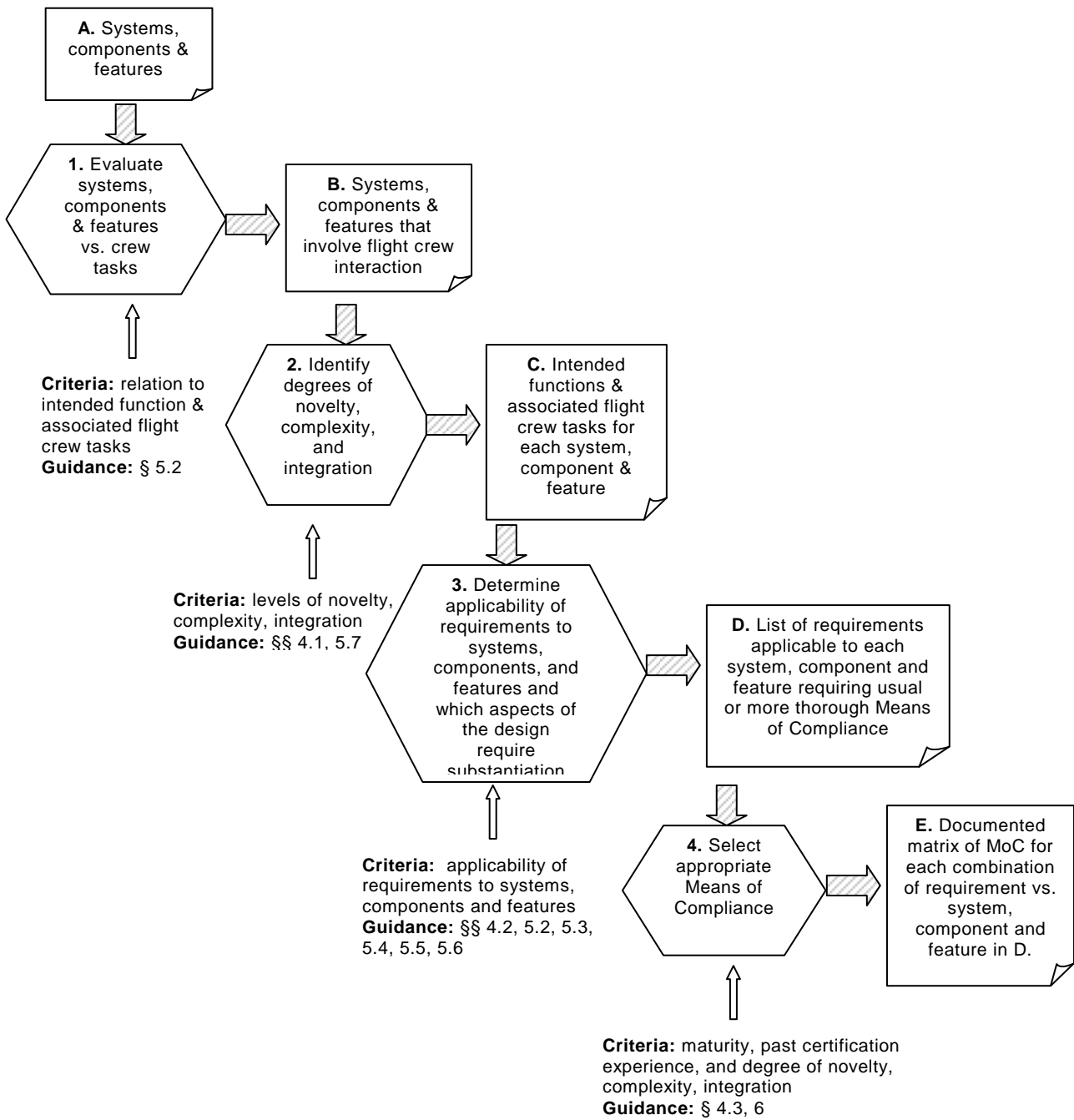
Applicants can gain significant advantages by involving the Agency in the earliest possible phases of application and design. This will enable timely agreements on potential design related human factors issues to be reached and thereby reduce the applicant's risk of investing in design features that may not be acceptable to the Agency.

Certain activities that typically take place during development of a new product or a new flight deck system or function, occur before official certification data is submitted to demonstrate compliance with the requirements. The applicant may choose to discuss or share these activities with the Agency on an information-only basis. Where appropriate, the Agency may wish to participate in assessments the applicant is performing with mock-ups, prototypes, and simulators.

When the Agency agrees, as part of the certification planning process, that a specific evaluation, analysis, or assessment of a human factors issue will become part of the demonstration that the design is in compliance with requirements, that evaluation, analysis, or assessment is given "certification credit".

Figure 1 illustrates the interaction between paragraph 4, 5 and 6 of this AMC. These paragraphs are used simultaneously during the certification process. Paragraph 4 details applicant activities and communication between the applicant and the Agency. Paragraph 5 provides means of compliance on specific topics. Paragraphs 5.2, 5.6 and 5.7 assist the applicant in determining inputs required for the scoping discussions outlined in paragraph 4.1. Paragraphs 5.3 through 5.5 provide guidance in determining the list of applicable requirements for discussion, outlined in paragraph 4.2. Paragraph 6 provides a list of acceptable general means of compliance used to guide the discussions for paragraph 4.3. Paragraph 4.4 lists items that may be documented as a result of the above discussions.

CS-25 BOOK 2



Paragraph 4 - Fig. 1: Methodical approach to planning certification for design related Human performance issues

CS-25 BOOK 2**4.1 Scope of the flight deck certification programme**

This paragraph provides means of establishing the scope of the certification programme.

In a process internal to the applicant, the applicant should consider the flight deck controls, information and system behaviour that involve flight crew interaction. The applicant should relate the intended functions of the system(s), components and features to the flight crew tasks. The objective is to improve understanding about how flight crew tasks might be changed or modified as a result of introducing the proposed system(s), components and features. Paragraph 5.2, Intended Function and Associated Flight Crew Tasks, provides guidance.

The certification programme may be impacted by the level of integration, complexity and novelty of the design features, each of which is described in the sub-paragraphs that follow. Taking these features into account, the applicant should reach an agreement with the Agency on the scope of flight deck controls, information and system behaviour that will require extra scrutiny during the certification process. Applicants should be aware that the impact of a novel feature might also be affected by its complexity and the extent of its integration with other elements of the flight deck. A novel but simple feature will likely require less rigorous scrutiny than one that is both novel and complex.

a) Integration

In this document, the term “level of systems integration”, refers to the extent to which there are interactions or dependencies between systems affecting the flight crew’s operation of the aeroplane. The applicant should describe such integration among systems, because it may affect means of compliance. Paragraph 5.7 also refers to integration. In the context of that paragraph, integration defines how specific systems are integrated into the flight deck and how the level of integration may affect the means of compliance.

b) Complexity

Complexity of the system design from the flight crew’s perspective is an important factor that may also affect means of compliance in this process. Complexity has multiple dimensions. The number of information elements the flight crew has to use (the number of pieces of information on a display, for instance) may be an indication of complexity. The level of system integration may be a measure of complexity of the system from the flight crew’s perspective. Design of controls can also be complex. An example would be a knob with multiple control modes. Paragraph 5 addresses several aspects of complexity.

c) Novelty

The applicant should identify the degree of design novelty based on the following factors:

- Are new technologies introduced that operate in new ways for either established or new flight deck designs?
- Are unusual or additional operational procedures needed as a result of the introduction of new technologies?
- Does the design introduce a new way for the flight crew to interact with systems using either conventional or innovative technology?
- Does the design introduce new uses for existing systems that change the flight crew’s tasks or responsibilities?

Based on the above criteria, the applicant should characterise features by their novelty. More novel features may require extra scrutiny during certification. Less novel features must still be shown to be compliant with requirements, but will usually follow a typical certification process that may be less rigorous than the process described below.

4.2 Applicable Requirements

The applicant should identify design requirements applicable to each of the systems, components, and features for which means of demonstrating compliance must be selected. This can be accomplished in part by identifying design characteristics that can adversely affect flight crew performance, or that pertain to avoidance and management of flight crew errors.

CS-25 BOOK 2

Specific design considerations for requirements involving human performance are discussed in Paragraph 5. The applicability of each design consideration in Paragraph 5 will depend on the design characteristics identified in paragraph 4.1.

The expected output of the analysis is a list of requirements that will be complied with and for which design considerations will be scrutinised. This list of requirements will be the basis for a compliance matrix identifying the means of compliance proposed for each requirement.

4.3 Select appropriate means of compliance

After identifying what should be shown in order to demonstrate compliance, the applicant should review paragraph 6.1 for guidance on selecting the means, or multiple means of compliance, appropriate to the design. In general, it is expected that the level of scrutiny or rigour represented by the means of compliance should increase with higher levels of novelty, complexity and integration of the design.

Paragraph 6 identifies general means of compliance that have been used on many certification programmes and discusses their selection, appropriate uses, and limitations. The applicant may propose other general means of compliance, subject to approval by the Agency.

Once the human performance issues have been identified and means of compliance have been selected and proposed to the Agency, the Agency may agree, as part of the certification planning process, that a specific evaluation, analysis or assessment of a human factors issue will become part of the demonstration that the design is in compliance with requirements. Certification credit can be granted when data is transmitted to and accepted by the Agency using standard certification procedures. This data will be a part of the final record of how the applicant has complied with the requirements.

The output of this step will consist of the means that will be used to show compliance to the requirements.

4.4 Certification plan

The applicant should document the certification process, outputs and agreements described in the previous paragraphs. This may be done in a separate plan or incorporated into a higher level certification plan. The following is a summary of what may be contained in the document:

- The new aeroplane, system, control, information or feature(s)
- The design feature(s) being evaluated and whether or not the feature(s) is(are) new or novel
- The integration or complexity of the new feature(s)
- Flight crew tasks that are affected or any new tasks that are introduced
- Any new flight crew procedures
- Specific requirements that must be complied with
- The means (one or several) that will be used to show compliance
- The method for transferring data to the Agency

5. DESIGN CONSIDERATIONS AND GUIDANCE

This paragraph contains a discussion of CS 25.1302 and guidance on complying with it and other requirements.

The applicant should first complete the following steps.

- Identify systems, components, and features of a new design that are potentially affected by the requirements.
- Assess degrees of novelty, complexity, and level of integration using the initial process steps in paragraph 4.

Once these steps have been completed, use the contents of this paragraph to identify what should be shown to demonstrate compliance.

To comply with the requirements of CS-25, the design of flight deck systems should appropriately address foreseeable capabilities and limitations of the flight crew. To aid the applicant in complying with this overall

CS-25 BOOK 2

objective, this paragraph has been divided into sub-paragraphs. They provide guidance on the following topics:

- Applicability and Explanatory material to CS 25.1302 (See paragraph 5.1),
- Intended function and associated flight crew tasks(See paragraph 5.2),
- Controls (See paragraph 5.3),
- Presentation of information(See paragraph 5.4),
- System behaviour (See paragraph 5.5),
- Flight crew error management(See paragraph 5.6),
- Integration (See paragraph 5.7),

Each sub-paragraph discusses what the applicant should show to establish compliance with applicable requirements. We are not describing here what might otherwise be referred to as industry “best practices.” The guidance presented here is the airworthiness standard for use in compliance. Obviously, not all criteria can or should be met by all systems. Because the nature of the guidance in this AMC is broad and general, some of it will conflict in certain instances. The applicant and the Agency must apply some judgment and experience in determining which guidance applies to what parts of the design and in what situations. Headings indicate the regulations to which the guidance applies. First, however, we provide a more detailed discussion of CS 25.1302.

As described in the Background and Scope paragraphs of this document, flight crew error is a contributing factor in accidents. CS 25.1302 was developed to provide a regulatory basis for, and this AMC provides guidance to address design-related aspects of avoidance and management of flight crew error by taking the following approach:

First, by providing guidance about design characteristics that are known to reduce or avoid flight crew error and that address flight crew capabilities and limitations. Requirements in sub-paragraphs (a) through (c) of CS 25.1302 are intended to reduce the design contribution to such errors by ensuring information and controls needed by the flight crew to perform tasks associated with the intended function of installed equipment are provided, and that they are provided in a usable form. In addition, operationally relevant system behaviour must be understandable, predictable, and supportive of flight crew tasks. Guidance is provided in this paragraph on the avoidance of design-induced flight crew error.

Second, CS 25.1302(d) addresses the fact that since flight crew errors will occur, even with a well-trained and proficient flight crew operating well-designed systems, the design must support management of those errors to avoid safety consequences. Paragraph 5.6 below on flight crew error management provides relevant guidance.

5.1 Applicability and Explanatory Material to CS 25.1302

CS-25 contains requirements for the design of flight deck equipment that are system-specific (e.g., CS 25.777, CS 25.1321, CS 25.1329, CS 25.1543 etc.), generally applicable (e.g., CS 25.1301(a), CS 25.1309(c), CS 25.771(a)), and that establish minimum flight crew requirements (e.g. CS 25.1523 and CS-25 Appendix D). CS 25.1302 augments previously existing generally applicable requirements by adding more explicit requirements for design attributes related to avoidance and management of flight crew error. Other ways to avoid and manage flight crew error are regulated through requirements governing licensing and qualification of flight-crew members and aircraft operations. Taken together, these complementary approaches provide a high degree of safety.

The complementary approach is important. It is based upon recognition that equipment design, training/licensing/ qualification, and operations/procedures each provide safety contributions to risk mitigation. An appropriate balance is needed among them. There have been cases in the past where design characteristics known to contribute to flight crew error were accepted based upon the rationale that training or procedures would mitigate that risk. We now know that this can often be an inappropriate approach. Similarly, due to unintended consequences, it would not be appropriate to require equipment design to provide total risk mitigation. If a flight-crew member misunderstands a controller's clearance, it does not follow that the Agency should mandate datalink or some other design solution as Certification Specifications. Operating rules

CS-25 BOOK 2

currently require equipment to provide some error mitigations (e.g., Terrain Awareness and Warning Systems), but not as part of the airworthiness requirements.

As stated, a proper balance is needed among design approval requirements in the minimum airworthiness standards of CS-25 and requirements for training/ licensing/ qualification and operations/procedures. CS 25.1302 and this AMC were developed with the intent of achieving that appropriate balance.

Introduction The introductory sentence of CS 25.1302 states that the provisions of this paragraph apply to each item of installed equipment intended for the flight crew's use in operating the aeroplane from their normally seated positions on the flight deck.

"Intended for the flight-crew member's use in the operation of the aeroplane from their normally seated position," means that intended function of the installed equipment includes use by the flight crew in operating the aeroplane. An example of such installed equipment would be a display that provides information enabling the flight crew to navigate. The phrase "flight-crew members" is intended to include any or all individuals comprising the minimum flight crew as determined for compliance with CS 25.1523. The phrase "from their normally seated position" means flight-crew members are seated at their normal duty stations for operating the aeroplane. This phrase is intended to limit the scope of this requirement so that it does not address systems or equipment not used while performing their duties in operating the aeroplane in normal and non-normal conditions. For example, this paragraph is not intended to apply to items such as certain circuit breakers or maintenance controls intended for use by the maintenance crew (or by the flight crew when not operating the aeroplane).

The words "This installed equipment must be shown..." in the first paragraph means the applicant must provide sufficient evidence to support compliance determinations for each of the CS 25.1302 requirements. This is not intended to require a showing of compliance beyond that required by Part 21A.21(b). Accordingly, for simple items or items similar to previously approved equipment and installations, we do not expect the demonstrations, tests or data needed to show compliance with CS 25.1302 to entail more extensive or onerous efforts than are necessary to show compliance with previous requirements.

The phrase "individually and in combination with other such equipment" means that the requirements of this paragraph must be met when equipment is installed on the flight deck with other equipment. The installed equipment must not prevent other equipment from complying with these requirements. For example, applicants must not design a display so that information it provides is inconsistent or in conflict with information from other installed equipment.

In addition, provisions of this paragraph presume a qualified flight crew trained to use the installed equipment. This means the design must meet these requirements for flight-crew members who are allowed to fly the aeroplane by meeting operating rules qualification requirements. If the applicant seeks type design or supplemental type design approval before a training programme is accepted, the applicant should document any novel, complex, or highly integrated design features and assumptions made during design that have the potential to affect training time or flight crew procedures. The requirement and associated material are written assuming that either these design features and assumptions, or knowledge of a training programme (proposed or in the process of being developed) will be coordinated with the appropriate operational approval organisation when judging the adequacy of the design.

The requirement that equipment be designed so the flight crew can safely perform tasks associated with the equipment's intended function, applies in both normal and non-normal conditions. Tasks intended for performance under non-normal conditions are generally those prescribed by non-normal (including emergency) flight crew procedures. The phrase "safely perform their tasks" is intended to describe one of the safety objectives of this requirement. The requirement is that equipment design enables the flight crew to perform the tasks with sufficient accuracy and in a timely manner, without unduly interfering with other required tasks. The phrase "tasks associated with its intended function" is intended to characterise either tasks required to operate the equipment or tasks for which the equipment's intended function provides support.

CS 25.1302 (a) requires the applicant to install appropriate controls and provide necessary information for any flight deck equipment identified in the first paragraph of CS 25.1302. Controls and information displays must be sufficient to allow the flight crew to accomplish their tasks. Although this may seem obvious, this requirement is included because a review of CS-25 on the subject of human factors revealed that a specific

CS-25 BOOK 2

requirement for flight deck controls and information to meet the needs of the flight crew is necessary. This requirement is not reflected in other parts of the rules, so it is important to be explicit.

CS 25.1302 (b) addresses requirements for flight deck controls and information that are necessary and appropriate so the flight crew can accomplish their tasks, as determined through (a) above. The intent is to ensure that the design of the control and information devices makes them usable by the flight crew. This sub-paragraph seeks to reduce design-induced flight crew errors by imposing design requirements on flight deck information presentation and controls. Sub-paragraphs (1) through (3) specify these design requirements.

Design requirements for information and controls are necessary to:

- Properly support the flight crew in planning their tasks,
- Make available to the flight crew appropriate, effective means to carry-out planned actions,
- Enable the flight crew to have appropriate feedback information about the effects of their actions on the aeroplane.

CS 25.1302(b)(1) specifically requires that controls and information be provided in a clear and unambiguous form, at a resolution and precision appropriate to the task. As applied to information, “clear and unambiguous” means that it:

- Can be perceived correctly (is legible).
- Can be comprehended in the context of the flight crew task.
- Supports the flight crew’s ability to carry out the action intended to perform the tasks.

For controls, the requirement for “clear and unambiguous” presentation means that the crew must be able to use them appropriately to achieve the intended function of the equipment. The general intent is to foster design of equipment controls whose operation is intuitive, consistent with the effects on the parameters or states they affect, and compatible with operation of other controls on the flight deck.

Sub-paragraph 25.1302(b)(1) also requires that the information or control be provided, or operate, at a level of detail and accuracy appropriate to accomplishing the task. Insufficient resolution or precision would mean the flight crew could not perform the task adequately. Conversely, excessive resolution has the potential to make a task too difficult because of poor readability or the implication that the task should be accomplished more precisely than is actually necessary.

CS 25.1302(b)(2) requires that controls and information be accessible and usable by the flight crew in a manner consistent with the urgency, frequency, and duration of their tasks. For example, controls used more frequently or urgently must be readily accessed, or require fewer steps or actions to perform the task. Less accessible controls may be acceptable if they are needed less frequently or urgently. Controls used less frequently or urgently should not interfere with those used more urgently or frequently. Similarly, tasks requiring a longer time for interaction should not interfere with accessibility to information required for urgent or frequent tasks.

CS 25.1302(b)(3) requires that equipment presents information advising the flight crew of the effects of their actions on the aeroplane or systems, if that awareness is required for safe operation. The intent is that the flight crew be aware of system or aeroplane states resulting from flight crew actions, permitting them to detect and correct their own errors.

This sub-paragraph is included because new technology enables new kinds of flight crew interfaces that previous requirements don’t address. Specific deficiencies of existing requirements in addressing human factors are described below:

- CS 25.771 (a) addresses this topic for controls, but does not include criteria for information presentation.
- CS 25.777 (a) addresses controls, but only their location.
- CS 25.777(b) and CS 25.779 address direction of motion and actuation but do not encompass new types of controls such as cursor devices. These requirements also do not encompass types of control interfaces that can be incorporated into displays via menus, for example, thus affecting their accessibility.

CS-25 BOOK 2

- CS 25.1523 and CS-25 Appendix D have a different context and purpose (determining minimum crew), so they do not address these requirements in a sufficiently general way.

CS 25.1302 (c) requires that installed equipment be designed so its behaviour that is operationally relevant to flight crew' tasks is:

- Predictable and unambiguous.
- Designed to enable the flight crew to intervene in a manner appropriate to the task (and intended function).

Improved flight deck technologies involving integrated and complex information and control systems, have increased safety and performance. However, they have also introduced the need to ensure proper interaction between the flight crew and those systems. Service experience has found that some equipment behaviour (especially from automated systems) is excessively complex or dependent upon logical states or mode transitions that are not well understood or expected by the flight crew. Such design characteristics can confuse the flight crew and have been determined to contribute to incidents and accidents.

The phrase "operationally-relevant behaviour" is meant to convey the net effect of the equipment's system logic, controls, and displayed information upon flight crew awareness or perception of the system's operation to the extent that this is necessary for planning actions or operating the system. The intent is to distinguish such system behaviour from the functional logic within the system design, much of which the flight crew does not know or need to know and which should be transparent to them.

CS 25.1302(c)(1) requires that system behaviour be such that a qualified flight crew can know what the system is doing and why. It requires that operationally relevant system behaviour be "predictable and unambiguous". This means that a crew can retain enough information about what their action or a changing situation will cause the system to do under foreseeable circumstances, that they can operate the system safely. System behaviour must be unambiguous because crew actions may have different effects on the aeroplane depending on its current state or operational circumstances.

CS 25.1302(c) (2) requires that the design be such that the flight crew will be able to take some action, or change or alter an input to the system in a manner appropriate to the task.

CS 25.1302 (d) addresses the reality that even well-trained, proficient flight crews using well-designed systems will make errors. It requires that equipment be designed to enable the flight crew to manage such errors. For the purpose of this rule, errors "resulting from flight crew interaction with the equipment" are those errors in some way attributable to, or related to, design of the controls, behaviour of the equipment, or the information presented. Examples of designs or information that could cause errors are indications and controls that are complex and inconsistent with each other or other systems on the flight deck. Another example is a procedure inconsistent with the design of the equipment. Such errors are considered to be within the scope of this requirement and AMC.

What is meant by design which enables the flight crew to "manage errors" is that:

- The flight crew must be able to detect and/or recover from errors resulting from their interaction with the equipment, or
- Effects of such flight crew errors on the aeroplane functions or capabilities must be evident to the flight crew and continued safe flight and landing must be possible, or
- Flight crew errors must be discouraged by switch guards, interlocks, confirmation actions, or other effective means, or
- Effects of errors must be precluded by system logic or redundant, robust, or fault tolerant system design.

The requirement to manage errors applies to those errors that can be reasonably expected in service from qualified and trained flight crews. The term "reasonably expected in service" means errors that have occurred in service with similar or comparable equipment. It also means error that can be projected to occur based on general experience and knowledge of human performance capabilities and limitations related to use of the type of controls, information, or system logic being assessed.

CS-25 BOOK 2

CS 25.1302(d) includes the following statement: "This sub-paragraph does not apply to skill-related errors associated with manual control of the aeroplane". That statement means to exclude errors resulting from flight crew proficiency in control of flight path and attitude with the primary roll, pitch, yaw and thrust controls, and which are related to design of the flight control systems. These issues are considered to be adequately addressed by existing requirements, such as CS-25 Subpart B and CS 25.671(a). It is not intended that design be required to compensate for deficiencies in flight crew training or experience. This assumes at least the minimum flight crew requirements for the intended operation, as discussed at the beginning of Paragraph 5.1 above.

This requirement is intended to exclude management of errors resulting from decisions, acts, or omissions by the flight crew that are not in good faith. It is intended to avoid imposing requirements on the design to accommodate errors committed with malicious or purely contrary intent. CS 25.1302 is not intended to require applicants to consider errors resulting from acts of violence or threats of violence.

This "good faith" exclusion is also intended to avoid imposing requirements on design to accommodate errors due to obvious disregard for safety by a flight-crew member. However, it is recognised that errors committed intentionally may still be in good faith but could be influenced by design characteristics under certain circumstances. An example would be a poorly designed procedure not compatible with the controls or information provided to the flight crew.

The intent of requiring errors to be manageable only "to the extent practicable" is to address both economic and operational practicability. It is meant to avoid imposing requirements without considering economic feasibility and commensurate safety benefits. It is also meant to address operational practicability, such as the need to avoid introducing error management features into the design that would inappropriately impede flight crew actions or decisions in normal or non-normal conditions. For example, it is not intended to require so many guards or interlocks on the means to shut down an engine that the flight crew would be unable to do this reliably within the available time. Similarly, it is not intended to reduce the authority or means for the flight crew to intervene or carry out an action when it is their responsibility to do so using their best judgment in good faith.

This sub-paragraph was included because managing errors that result from flight crew interaction with equipment (that can be reasonably expected in service), is an important safety objective. Even though the scope of applicability of this material is limited to errors for which there is a contribution from or relationship to design, CS 25.1302(d) is expected to result in design changes that will contribute to safety. One example, among others, would be the use of an "undo" functions in certain designs.

5.2 Intended Function and Associated Flight Crew Tasks

CS 25.1301(a) requires that: "*each item of installed equipment must - (a) Be of a kind and design appropriate to its intended function*". CS 25.1302 establishes requirements to ensure the design supports flight-crew member's ability to perform tasks associated with a system's intended function. In order to show compliance with CS 25.1302, the intended function of a system and the tasks expected of the flight crew must be known.

An applicant's statement of intended function must be sufficiently specific and detailed that the Agency can evaluate whether the system is appropriate for the intended function(s) and the associated flight crew tasks. For example, a statement that a new display system is intended to "enhance situation awareness" must be further explained. A wide variety of different displays enhance situation awareness in different ways. Examples are; terrain awareness, vertical profile, and even the primary flight displays). The applicant may need more detailed descriptions for designs with greater levels of novelty, complexity or integration.

An applicant should describe intended function(s) and associated task(s) for:

- Each item of flight deck equipment,
- Flight crew indications and controls for that equipment,
- Individual features or functions of that equipment.

This type of information is of the level typically provided in a pilot handbook or an operations manual. It would describe indications, controls, and flight crew procedures.

As discussed in paragraph 4, novel features may require more detail, while previously approved systems and features typically require less. Paragraph 4.1 discusses functions that are sufficiently novel that additional

CS-25 BOOK 2

scrutiny is required. Applicants may evaluate whether statements of intended function(s) and associated task(s) are sufficiently specific and detailed by using the following questions:

- Does each feature and function have a stated intent?
- Are flight crew tasks associated with the function described?
- What assessments, decisions, and actions are flight-crew members expected to make based on information provided by the system?
- What other information is assumed to be used in combination with the system?
- Will installation or use of the system interfere with the ability of the flight crew to operate other flight deck systems?
- Are there any assumptions made about the operational environment in which the equipment will be used?
- What assumptions are made about flight crew attributes or abilities beyond those required in regulations governing flight operations, training, or qualification?

5.3 Controls

5.3.1 Introduction

For purposes of this AMC, we define controls as devices the flight crew manipulates in order to operate, configure, and manage the aeroplane and its flight control surfaces, systems, and other equipment. This may include equipment in the flight deck such as;

- Buttons
- Switches
- Knobs
- Keyboards
- Keypads
- Touch screens
- Cursor control devices
- Graphical user interfaces, such as pop-up windows and pull-down menus that provide control functions
- Voice activated controls

5.3.2 Showing Compliance with CS 25.1302 (b)

Applicants should propose means of compliance to show that controls in the proposed design comply with CS 25.1302 (b). The proposed means should be sufficiently detailed to demonstrate that each function, method of control operation, and result of control actuation complies with the requirements, i.e.:

- Clear
- Unambiguous
- Appropriate in resolution and precision
- Accessible
- Usable
- Enables flight crew awareness (provides adequate feedback)

For each of these requirements, the proposed means of compliance should include consideration of the following control characteristics for each control individually and in relation to other controls:

- Physical location of the control

CS-25 BOOK 2

- Physical characteristics of the control (e.g., shape, dimensions, surface texture, range of motion, colour)
- Equipment or system(s) that the control directly affects
- How the control is labelled
- Available control settings
- Effect of each possible actuation or setting, as a function of initial control setting or other conditions
- Whether there are other controls that can produce the same effect (or affect the same target parameter) and conditions under which this will happen
- Location and nature of control actuation feedback

The following discussion provides additional guidance for design of controls that comply with CS 25.1302. It also provides industry accepted best practices.

5.3.3 Clear and Unambiguous Presentation of Control Related Information

a. Distinguishable and Predictable Controls [CS 25.1301(a), CS 25.1302]

Each flight-crew member should be able to identify and select the current function of the control with speed and accuracy appropriate to the task. Function of a control should be readily apparent so that little or no familiarisation is required. The applicant should evaluate consequences of control activation to show they are predictable and obvious to each flight-crew member. This includes control of multiple displays with a single device and shared display areas that flight-crew members access with individual controls. Controls can be made distinguishable or predictable by differences in form, colour, location, and/or labelling. Colour coding is usually not sufficient as a sole distinguishing feature. This applies to physical controls as well as to controls that are part of an interactive graphical user interface.

b. Labelling [CS 25.1301(b), CS 25.1543(b), CS 25.1555(a)]

For general marking of controls see CS 25.1555(a). Labels should be readable from the crewmember's normally seated position in all lighting and environmental conditions. If a control performs more than one function, labelling should include all intended functions unless function of the control is obvious. Labels of graphical controls accessed by a cursor device such as a trackball should be included on the graphical display. When menus lead to additional choices (submenus), the menu label should provide a reasonable description of the next submenu.

The applicant can label with text or icons. Text and icons should be shown to be distinct and meaningful for the function that they label. The applicant should use standard and/or non-ambiguous abbreviations, nomenclature, or icons, consistent within a function and across the flight deck. ICAO 8400 provides standard abbreviations and is an acceptable basis for selection of labels.

The design should avoid hidden functions (such as clicking on empty space on a display to make something happen). However, such hidden functions may be acceptable if adequate alternate means are available for accessing the function. The design should still be evaluated for ease of use and crew understanding.

When using icons instead of text labelling, the applicant should show that the flight crew requires only brief exposure to the icon to determine the function of a control and how it operates. Based on design experience, the following guidelines for icons have been shown to lead to usable designs:

- The icon should be analogous to the object it represents
- The icon should be in general use in aviation and well known to flight crews
- The icon should be based on established standards, when they exist, and conventional meanings.

In all cases, the applicant should show use of icons to be at least equivalent to text labels in terms of speed and error rate. Alternatively, the applicant should show that the increased error rate or task times have no unacceptable effect on safety or flight crew workload and do not cause flight crew confusion.

c. Interaction of Multiple Controls [CS 25.1302]

CS-25 BOOK 2

If multiple controls for the flight crew are provided for a function, the applicant should show that there is sufficient information to make the flight crew aware of which control is currently functioning. As an example, crewmembers need to know which flight-crew member's input has priority when two cursor control devices can access the same display. Designers should use caution when dual controls can affect the same parameter simultaneously.

5.3.4 Accessibility of controls [CS 25.777(a), CS 25.777(b), CS 25.1302]

The applicant must show that each flight-crew member in the minimum flight crew, as defined by CS 25.1523, has access to and can operate all necessary controls. Accessibility is one factor in determining whether controls support the intended function of equipment used by the flight crew. Any control required for flight-crew member operation in the event of incapacitation of other flight-crew members (in both normal and non-normal conditions) must be shown to be viewable, reachable, and operable by flight-crew members with the stature specified in CS 25.777(c), from the seated position with shoulder restraints on. If shoulder restraints are lockable, this may be shown with shoulder restraints unlocked.

CS 25.777(c) requires that the location and arrangement of each flight deck control permit full and unrestricted movement of that control without interference from other controls, equipment, or structure in the flight deck.

Layering of information, as with menus or multiple displays, should not hinder flight crew in identifying the location of the desired control. In this context, location and accessibility are not only the physical location of the control function (on a display device) or any multifunction control (for example, a cursor control device) used to access them. Location and accessibility also includes consideration of where the control functions may be located within various menu layers and how the flight-crew member navigates those layers to access the functions. Accessibility should be shown in conditions of system failures (including crew incapacitation) and minimum equipment list dispatch.

Control position and direction of motion should be oriented from the vantage point of the flight-crew member. Control/display compatibility should be maintained from that regard. For example, a control on an overhead panel requires movement of the flight-crew member's head backwards and orientation of the control movement should take this into consideration.

5.3.5 Use of controls

a. Environmental issues affecting controls [CS 25.1301(a) and CS 25.1302]

Turbulence or vibration and extremes in lighting levels should not prevent the crew from performing all their tasks at an acceptable level of performance and workload. If use of gloves is anticipated for cold weather operations, the design should account for the effect of their use on the size and precision of controls. Sensitivity of controls should afford precision sufficient to perform tasks even in adverse environments as defined for the aeroplane's operational envelope. Analysis of environmental issues as a means of compliance (see 6.3.3) is necessary, but not sufficient for new control types or technologies or for novel use of controls that are themselves not new or novel.

The applicant should show that controls required to regain aeroplane or system control and controls required to continue operating the aeroplane in a safe manner are usable in conditions such as dense smoke in the flight deck or severe vibrations. An example of the latter condition would be after a fan blade loss.

b. Control-display compatibility [CS 25.777(b)]

To ensure that a control is unambiguous, the relationship and interaction between a control and its associated display or indications should be readily apparent, understandable, and logical. A control input is often required in response to information on a display or to change a parameter setting on a display. The applicant should specifically assess any rotary knob that has no obvious "increase" or "decrease" function with regard to flight crew expectations and its consistency with other controls on the flight deck. The Society of Automotive Engineers' (SAE) publication ARP 4102, section 5.3, is an acceptable means of compliance for controls used in flight deck equipment.

When a control is used to move an actuator through its range of travel, the equipment should provide, within the time required for the relevant task, operationally significant feedback of the actuator's position within its range. Examples of information that could appear relative to an actuator's range of travel include trim system positions, target speed, and the state of various systems valves.

CS-25 BOOK 2

Controls associated with a display should be located so that they do not interfere with the performance of the crew task. Controls whose function is specific to a particular display surface should be mounted near to the display or function being controlled. Locating controls immediately below a display is generally preferable as mounting controls immediately above a display has, in many cases, caused the flight-crew member's hand to obscure viewing of the display when operating controls. However, controls on the bezel of multifunction displays have been found to be acceptable.

Spatial separation between a control and its display may be necessary. This is the case with a system's control located with others for that same system, or when it is one of several controls on a panel dedicated to controls for that multifunction display. When there is large spatial separation between a control and its associated display, the applicant should show that use of the control for the associated task(s), is acceptable in terms of types of errors, error rate(s) and access time(s).

In general, control design and placement should avoid the possibility that the visibility of information could be blocked. If range of control movement temporarily blocks the flight crew's view of information, the applicant should show that this information is either not necessary at that time or available in another accessible location.

Annunciations/labels on electronic displays should be identical to labels on related switches and buttons located elsewhere on the flight deck. If display labels are not identical to related controls, the applicant should show that flight-crew members can quickly, easily, and accurately identify associated controls.

5.3.6 Adequacy of Feedback [CS 25.771(a), CS 25.1301(a), CS 25.1302)]

Feedback for control inputs is necessary to give the flight crew awareness of the effects of their actions. Each control should provide feedback to the crewmember for menu selections, data entries, control actions, or other inputs. There should be clear and unambiguous indication when crew input is not accepted or followed by the system. This feedback can be visual, auditory, or tactile. Feedback, in whatever form, should be provided to inform the crew that:

- A control has been activated (commanded state/value)
- The function is in process (given an extended processing time)
- The action associated with the control has been initiated (actual state/value if different from the commanded state).

The type, duration and appropriateness of feedback, will depend upon the crew's task and the specific information required for successful operation. As an example, switch position alone is insufficient feedback if awareness of actual system response or the state of the system as a result of an action is required.

Controls that may be used while the user is looking outside or at unrelated displays should provide tactile feedback. Keypads should provide tactile feedback for any key depression. In cases when this is omitted, it should be replaced with appropriate visual or other feedback that the system has received the inputs and is responding as expected.

Equipment should provide appropriate visual feedback, not only for knob, switch, and pushbutton position, but also for graphical control methods such as pull-down menus and pop-up windows. The user interacting with a graphical control should receive positive indication that a hierarchical menu item has been selected, a graphical button has been activated, or other input has been accepted.

The applicant should show that feedback in all forms is obvious and unambiguous to the flight crew in performance of the tasks associated with the intended function of the equipment.

5.4 Presentation of Information

5.4.1 Introduction

Applicants should propose means of compliance to show that information displayed in the proposed design complies with CS 25.1302(b). The proposed means should be sufficiently detailed to show that the function, method of control operation and result, complies with the requirements, i.e.:

- Clear
- Unambiguous

CS-25 BOOK 2

- Appropriate in resolution and precision
- Accessible
- Usable
- Enables Flight Crew awareness (provides adequate feedback)

Presentation of information to the flight crew can be visual (for instance, on an LCD), auditory (a “talking” checklist) or tactile (for example, control feel). Information presentation on the integrated flight deck, regardless of the medium used, should meet all of the requirements bulleted above. For visual displays, this AMC addresses mainly display format issues and not display hardware characteristics. The following provides design considerations for requirements found in CS 25.1301(a), CS 25.1301(b), CS 25.1302, and CS 25.1543(b). In the event of a conflict between this document and AMC 25-11 regarding guidance on specific electronic visual display functions, AMC 25-11 takes precedence.

5.4.2 Clear and Unambiguous Presentation of Information

a. Qualitative and quantitative display formats [CS 25.1301(a) and CS 25.1302]

Applicants should show that display formats include the type of information the flight crew needs for the task, specifically with regard to the speed and precision of reading required. For example, the information could be in the form of a text message, numerical value, or a graphical representation of state or rate information). State information identifies the specific value of a parameter at a particular time. Rate information indicates the rate of change of that parameter.

If the flight crew’s sole means of detecting non-normal values is by monitoring values presented on the display, the equipment should offer qualitative display formats. Qualitative display formats better convey rate and trend information. If this is not practical, the applicant should show that the flight crew can perform the tasks for which the information is used. Quantitative presentation of information is better for tasks requiring precise values.

Digital readouts or present value indices incorporated into qualitative displays should not make the scale markings or graduations unusable as they pass the present value index.

b. Consistency [CS 25.1302]

If similar information is presented in multiple locations or modes (visual and auditory, for example), consistent presentation of information is desirable. Consistency in information presentation within the system tends to minimise flight crew error. If information cannot be presented consistently within the flight deck, the applicant should show that differences do not increase error rates or task times leading to significant safety or flight crew workload and do not cause flight crew confusion.

c. Characters, fonts, lines and scale markings [CS 25.1301(b) and CS 25.1543(b)]

The applicable crew members, seated at their stations and using normal head movement, should be able to see and read display format features such as fonts, symbols, icons and markings. In some cases, cross flight deck readability may be required. Examples of situations where this might be needed are cases of display failure or when cross checking flight instruments. Readability must be maintained in sunlight viewing conditions (per CS 25.773(a)) and under other adverse conditions such as vibration. Figures and letters should subtend not less than the visual angles defined in SAE ARP 4102-7 at the design eye position of the flight-crew member who normally uses the information.

d. Colour [CS 25.1302]

Avoid using many different colours to convey meaning on displays. However, judicious use of colour can be very effective in minimising display interpretation workload and response time. Colour can be used to group logical electronic display functions or data types. A common colour philosophy across the flight deck is desirable, although deviations may be approved with acceptable justification. Applicants should show that the chosen colour set is not susceptible to confusion or misinterpretation due to differences in colour usage between displays. Improper colour coding increases response times for display item recognition and selection, and increases likelihood of errors in situations where the speed of performing a task is more important than accuracy. Extensive use of the colours red and amber for other than alerting functions or potentially unsafe

CS-25 BOOK 2

conditions is discouraged. Such use diminishes the attention-getting characteristics of true warnings and cautions.

Use of colour as the sole means of presenting information is also discouraged. It may be acceptable however, to indicate the criticality of the information in relation to the task. Colour, when used for task essential information, should be in addition to other coding characteristics, such as texture or differences in luminance. AMC 25-11 contains recommended colour sets for specific display features.

Applicants should show that layering information on a display does not add to confusion and clutter as a result of the colour standards and symbols used. Designs requiring flight-crew members to manually de-clutter such displays should also be avoided.

e. Symbology, Text, and Auditory Messages [CS 25.1302]

Designs can base many elements of electronic display formats on established standards and conventional meanings. For example, ICAO 8400 provides abbreviations and is one standard that could be applied to flight deck text. SAE ARP 4102-7, Appendix A-C and SAE ARP 5289 are acceptable standards for avionic display symbols.

The position of a message or symbol within a display also conveys meaning to the flight-crew member. Without the consistent or repeatable location of a symbol in a specific area of the electronic display, interpretation errors and response times may increase. Applicants should give careful attention to symbol priority (priority of displaying one symbol overlaying another symbol by editing out the secondary symbol) to ensure that higher priority symbols remain viewable.

New symbols (a new design or a new symbol for a function which historically had an associated symbol) should be tested for distinguishability and flight crew comprehension and retention.

The applicant should show that display text and auditory messages are distinct and meaningful for the information presented. Assess messages for whether they convey the intended meaning. Equipment should display standard and/or non-ambiguous abbreviations and nomenclature, consistent within a function and across the flight deck.

5.4.3 Accessibility and Usability of Information

a. Accessibility of information [CS 25.1302]

Some information may at certain times be immediately needed by the flight crew, while other information may not be necessary during all phases of flight. The applicant should show that the flight crew can access and manage (configure) all necessary information on the dedicated and multifunction displays for the phase of flight. The applicant should show that any information required for continued safe flight and landing is accessible in the relevant degraded display modes following failures as defined by CS 25.1309. The applicant should specifically assess what information is necessary in those conditions, and how such information will be simultaneously displayed. The applicant should also show that supplemental information does not displace or otherwise interfere with required information.

Analysis as the sole means of compliance is not sufficient for new or novel display management schemes. The applicant should use simulation of typical operational scenarios to validate the flight crew's ability to manage available information.

b. Clutter [CS 25.1302]

Clutter is the presentation of information in a way that distracts flight-crew members from their primary task. Visual or auditory clutter is undesirable. To reduce flight-crew member's interpretation time, equipment should present information simply and in a well-ordered way. Applicants should show that an information delivery method (whether visual or auditory) presents the information the flight-crew member actually requires to perform the task at hand. The flight crew can use their own discretion to limit the amount of information that needs to be presented at any point in time. For instance, a design might allow the flight crew to program a system so that it displays the most important information all the time, and less important information on request. When a design allows, flight crew selection of additional information, the basic display modes should remain uncluttered.

Automatically de-cluttering display options can hide needed information from the flight-crew member. The applicant should show that equipment that uses automatic de-selection of data to enhance the flight-crew

CS-25 BOOK 2

member's performance in certain emergency conditions provides the information the flight-crew member requires. Use of part-time displays depends not only on information de-clutter goals but also on display availability and criticality. Therefore, when designing such features, the applicant should follow the guidance in AMC 25-11.

Because of the transient nature of auditory information presentation, designers should be careful to avoid the potential for competing auditory presentations that may conflict with each other and hinder interpretation. Prioritisation and timing may be useful to avoid this potential problem.

Prioritise information according to task criticality. Lower priority information should not mask higher priority information and higher priority information should be available, readily detectable, easily distinguishable and usable. This does not mean that the display format needs to change based on phase of flight.

c. System response to control input [CS 25.1302]

Long or variable response times between control input and system response can adversely affect system usability. The applicant should show that response to control input, such as setting values, displaying parameters, or moving a cursor symbol on a graphical display is fast enough to allow the flight crew to complete the task at an acceptable performance level. For actions requiring noticeable system processing time equipment should indicate that system response is pending.

5.5 System Behaviour

5.5.1 Introduction

Flight crew task demands vary depending on the characteristics of the system design. Systems differ in their responses to relevant flight crew input. The response can be direct and unique as in mechanical systems or it can vary as a function of an intervening subsystem (such as hydraulics or electrics). Some systems even automatically vary their response to capture or maintain a desired aeroplane or system state.

As described in paragraph 5.1, CS 25.1302(c) states that installed equipment must be designed so that the behaviour of the equipment that is operationally relevant to the flight crew's tasks is: (1) predictable and unambiguous, and (2) designed to enable the flight crew to intervene in a manner appropriate to the task (and intended function).

The requirement for operationally relevant system behaviour to be predictable and unambiguous will enable a qualified flight crew to know what the system is doing and why. This means that a crew should have enough information about what the system will do under foreseeable circumstances as a result of their action or a changing situation that they can operate the system safely. This distinguishes system behaviour from the functional logic within the system design, much of which the flight crew does not know or need to know.

If flight crew intervention is part of the intended function or non-normal procedures for the system, the crewmember may need to take some action, or change an input to the system. The system must be designed accordingly. The requirement for flight crew intervention capabilities recognises this reality.

Improved technologies, which have increased safety and performance, have also introduced the need to ensure proper cooperation between the flight crew and the integrated, complex information and control systems. If system behaviour is not understood or expected by the flight crew, confusion may result.

Some automated systems involve tasks that require flight crew attention for effective and safe performance. Examples include the flight management system (FMS) or flight guidance systems. Alternatively, systems designed to operate autonomously, in the sense that they require very limited or no human interaction, are referred to as 'automatic systems'. Such systems are switched 'on' or 'off' or run automatically and are not covered in this paragraph. Examples include fly-by-wire systems, full authority digital engine controls (FADEC), and yaw dampers. Detailed specific guidance for automatic systems can be found in relevant parts of CS-25.

Service experience shows that automated system behaviour that is excessively complex or dependent on logical states, or mode transitions are not understood or expected by the flight crew can lead to flight crew confusion. Design characteristics such as these have been determined to contribute to incidents and accidents.

CS-25 BOOK 2

This sub-paragraph provides guidance material for showing compliance with these design considerations for requirements found in CS 25.1302(c), CS 25.1301 (a), CS 25.1309 (c), or any other relevant paragraphs of CS-25.

5.5.2 System Function Allocation

The applicant should show that functions of the proposed design are allocated so that:

- The flight crew can be expected to complete their allocated tasks successfully in both normal and non-normal operational conditions, within the bounds of acceptable workload and without requiring undue concentration or causing undue fatigue. (See CS 25.1523 and CS-25 Appendix D for workload evaluation);
- Flight crew interaction with the system enables them to understand the situation, and enables timely detection of failures and crew intervention when appropriate;
- Task sharing and distribution of tasks among flight-crew members and the system during normal and non-normal operations is considered.

5.5.3 System Functional Behaviour

A system's behaviour results from the interaction between the flight crew and the automated system and is determined by:

- The system's functions and the logic that governs its operation; and
- The user interface, which consists of the controls and information displays that communicate the flight crew's inputs to the system and provide feedback on system behaviour to the crew.

It is important that the design reflect a consideration of both of these together. This will avoid a design in which the functional logic governing system behaviour can have an unacceptable effect on crew performance. Examples of system functional logic and behaviour issues that may be associated with errors and other difficulties for the flight crew are the following:

- Complexity of the flight crew interface for both inputs (entering data) and outputs.
- Inadequate understanding and inaccurate expectations of system behaviour by the flight crew following mode selections and transitions.
- Inadequate understanding and incorrect expectations by the flight crew of system intentions and behaviour.

Predictable and Unambiguous System Behaviour (CS 25.1302 (c) (1))

Applicants should propose the means they will use to show that system or system mode behaviour in the proposed design is predictable and unambiguous to the flight crew.

System or system mode behaviour that is ambiguous or unpredictable to the flight crew has been found to cause or contribute to flight crew errors. It can also potentially degrade the flight crew's ability to perform their tasks in both normal and non-normal conditions. Certain design characteristics have been found to minimise flight crew errors and other crew performance problems.

The following design considerations are applicable to operationally relevant system or system mode behaviours:

- Simplicity of design (for example, number of modes, mode transitions).
- Clear and unambiguous mode annunciation. For example, a mode engagement or arming selection by the flight crew should result in annunciation, indication or display feedback adequate to provide awareness of the effect of their action.
- Accessible and usable methods of mode arming, engagement and de-selection. For example, the control action necessary to arm, engage, disarm or disengage a mode should not depend on the mode that is currently armed or engaged, on the setting of one or more other controls, or on the state or status of that or another system.

CS-25 BOOK 2

- Predictable un-commanded mode change and reversions. For example, there should be sufficient annunciation, indication or display information to provide awareness of uncommanded changes of the engaged or armed mode of a system.

Note that formal descriptions of modes typically define them as mutually exclusive, so that a system cannot be in more than one mode at a particular time. For instance, a display can be in “north up” mode or “track up” mode, but not both at the same time.

For specific guidance on flight guidance system modes, see AMC 25.1329.

Flight Crew Intervention (CS 25.1302 (c) (2))

Applicants should propose the means that they will use to show that system behaviour in the proposed design allows the flight crew to intervene in operation of the system without compromising safety. This should include descriptions of how they will determine that functions and conditions in which intervention should be possible have been addressed.

If done by analysis, the completeness of the analysis may be established either by defining acceptable criteria for the depth and breadth of the analysis, or by proposing an analysis method that is inherently complete. In addition, applicant’s proposed methods should describe how they would determine that each intervention means is appropriate to the task.

Controls for Automated Systems

Automated systems can perform various tasks selected by and under supervision of the flight crew. Controls should be provided for managing functionalities of such a system or set of systems. The design of such “automation specific” controls should enable the crew to:

- Safely prepare the system for the task to be executed or the subsequent task to be executed. Preparation of a new task (for example, new flight trajectory) should not interfere with, or be confused with, the task being executed by the automated system.
- Activate the appropriate system function without confusion about what is being controlled, in accordance with crew expectations. For example, the flight crew should have no confusion when using a vertical speed selector which could set either vertical speed or flight path angle.
- Manually intervene in any system function, as required by operational conditions, or to revert to manual control. For example, manual intervention might be needed during loss of system functionality, system abnormalities, or failure conditions.

Displays for Automated Systems

Automated systems can perform various tasks with minimal crew interventions, but under the supervision of the flight crew. To ensure effective supervision and maintain crew awareness of system state and system “intention” (future states), displays should provide recognisable feedback on:

- Entries made by the crew into the system so that the crew can detect and correct errors.
- Present state of the automated system or mode of operation. (What is it doing?)
- Actions taken by the system to achieve or maintain a desired state. (What is it trying to do?)
- Future states scheduled by the automation. (What is it going to do next?)
- Transitions between system states.

The applicant should consider the following aspects of automated system design:

- Indications of commanded and actual values should enable the flight crew to determine whether the automated systems will perform according to their expectations;
- If the automated system nears its operational authority or is operating abnormally for the conditions, or is unable to perform at the selected level, it should inform the flight crew, as appropriate for the task;
- The automated system should support crew coordination and cooperation by ensuring shared awareness of system status and crew inputs to the system; and

CS-25 BOOK 2

- The automated system should enable the flight crew to review and confirm the accuracy of commands constructed before being activated. This is particularly important for automated systems because they can require complex input tasks.

5.6 Flight Crew Error Management

5.6.1 Showing Compliance with CS 25.1302(d)

It is important to recognise that flight crews will make errors, even when well trained, experienced and rested individuals are using well-designed systems. Therefore, CS 25.1302(d) requires that “To the extent practicable, the installed equipment must enable the flight crew to manage errors resulting from flight crew interaction with the equipment that can be reasonably expected in service, assuming flight crews acting in good faith. This sub-paragraph does not apply to skill-related errors associated with manual control of the aeroplane.”

To comply with CS 25.1302(d), the design should meet at least one of the following criteria. It should:

- Enable the flight crew to detect (see 5.6.2), and/or recover from errors (see 5.6.3); or
- Ensure that effects of flight crew errors on the aeroplane functions or capabilities are evident to the flight crew and continued safe flight and landing is possible (see 5.6.4); or
- Discourage flight crew errors by using switch guards, interlocks, confirmation actions, or similar means, or preclude the effects of errors through system logic and/or redundant, robust, or fault tolerant system design (see 5.6.5).

These objectives:

- Are, in a general sense, in a preferred order.
- Recognise and assume that flight crew errors cannot be entirely prevented, and that no validated methods exist to reliably predict either their probability or all the sequences of events with which they may be associated.
- Call for means of compliance that are methodical and complementary to, and separate and distinct from, aeroplane system analysis methods such as system safety assessments.

As discussed previously in paragraph 5.1, Compliance with CS 25.1302(d) is not intended to require consideration of errors resulting from acts of violence or threats of violence. Additionally, the requirement is intended to require consideration of only those errors that are design related.

Errors that do have a design-related component are considered to be within the scope of this regulatory and advisory material. Examples are a procedure that is inconsistent with the design of the equipment, or indications and controls that are complex and inconsistent with each other or other systems on the flight deck.

When demonstrating compliance, the applicant should evaluate flight crew tasks in both normal and non-normal conditions, considering that many of the same design characteristics are relevant in either case. For example, under non-normal conditions, the flying tasks (navigation, communication and monitoring), required for normal conditions are generally still present, although they may be more difficult in some non-normal conditions. So tasks associated with the non-normal conditions should be considered as additive. The applicant should not expect the errors considered to be different from those in normal conditions, but any evaluation should account for the change in expected tasks.

To show compliance with CS 25.1302(d), an applicant may employ any of the general types of methods of compliance discussed in Paragraph 6, singly or in combination. These methods must be consistent with an approved certification plan as discussed in Paragraph 4, and account for the objectives above and the considerations described below. When using some of these methods, it may be helpful for some applicants to refer to other references relating to understanding error occurrence. Here is a brief summary of those methods and how they can be applied to address flight crew error considerations:

- Statement of Similarity (paragraph 6.3.1): A statement of similarity may be used to substantiate that the design has sufficient certification precedent to conclude that the ability of the flight crew to manage errors is not significantly changed. Applicants may also use service experience data to identify errors known to commonly occur for similar crew interfaces or system behaviour. As part of

CS-25 BOOK 2

showing compliance, the applicant should identify steps taken in the new design to avoid or mitigate similar errors.

- Design Descriptions (paragraph 6.3.2): Applicants may structure design descriptions and rationale to show how various types of errors are considered in the design and addressed, mitigated or managed. Applicants can also use a description of how the design adheres to an established and valid design philosophy to substantiate that the design enables flight crews to manage errors.
- Calculation and Engineering Analysis (paragraph 6.3.3): As one possible means of showing compliance with CS 25.1302(d), an applicant may document means of error management through analysis of controls, indications, system behaviour, and related flight crew tasks. This would need to be done in conjunction with an understanding of potential error opportunities and the means available for the flight crew to manage those errors. In most cases it is not considered feasible to predict the probability of flight crew errors with sufficient validity or precision to support a means of compliance. If an applicant chooses to use a quantitative approach, the validity of the approach should be established.
- Evaluations, Demonstrations, and Tests (paragraph 6.3.4-6): For compliance purposes, evaluations are intended to identify error possibilities that may be considered for mitigation in design or training. In any case, scenario objectives and assumptions should be clearly stated before running the evaluations, demonstrations, or tests. In that way, any discrepancy in those expectations can be discussed and explained in the analysis of the results.

As discussed further in Paragraph 6, these evaluations, demonstrations, or tests should use appropriate scenarios that reflect intended function and tasks, including use of the equipment in normal and non-normal conditions. Scenarios should be designed to consider flight crew error. If inappropriate scenarios are used or important conditions are not considered, incorrect conclusions can result. For example, if no errors occur during an evaluation it may mean only that the scenarios are too simple. On the other hand, if some errors do occur, it may mean any of the following:

- The design, procedures, or training should be modified,
- The scenarios are unrealistically challenging, or
- Insufficient training occurred prior to the evaluation.

In such evaluations it is not considered feasible to establish criteria for error frequency.

5.6.2 Error Detection

Applicants should design equipment to provide information so the flight crew can become aware of an error or a system/aeroplane state resulting from a system action. Applicants should show that this information is available to the flight crew, adequately detectable, and clearly related to the error in order to enable recovery in a timely manner.

Information for error detection may take three basic forms:

Indications provided to the flight crew during normal monitoring tasks. As an example, if an incorrect knob was used, resulting in an unintended heading change, the change would be detected through the display of target values. Presentation of a temporary flight plan for flight crew review before accepting it would be another way of providing crew awareness of errors.

Indications on instruments in the primary field of view that are used during normal operation may be adequate if the indications themselves contain information used on a regular basis and are provided in a readily accessible form. These may include mode annunciations and normal aeroplane state information such as altitude or heading. Other locations for the information may be appropriate depending on the flight crew's tasks, such as on the control-display unit when the task involves dealing with a flight plan. Paragraph 5.4, Presentation of Information, contains additional guidance to determine whether information is adequately detectable.

Flight crew indications that provide information of an error or a resulting aeroplane system condition. An example might be an alert to the flight crew about the system state resulting from accidentally shutting down a hydraulic pump. Note that if the indication is an alert, it is related to the resulting system state, not necessarily directly to the error itself. Existence of a flight crew alert that occurs in response to flight crew error may be

CS-25 BOOK 2

sufficient to establish that information exists and is adequately detectable, if the alert directly and appropriately relates to the error. Definitions of alert levels in CS 25.1322 are sufficient to establish that the urgency of the alert is appropriate. Content of the indication should directly relate to the error. Indications for indirect effects of an error may lead the flight crew to believe there may be non-error causes for the annunciated condition.

“Global” alerts that cover a multitude of possible errors by annunciating external hazards or aeroplane envelope or operational conditions. Examples include monitoring systems such as terrain awareness warning systems (TAWS) and traffic collision avoidance systems (TCAS). An example would be a TAWS alert resulting from turning the wrong direction in a holding pattern in mountainous terrain.

The applicant should consider the following when establishing whether the degree or type of information is available to the flight crew, adequately detectable, and clearly related to the error:

- Effects of some errors are easily and reliably determined by the system (by design), and some are not. For those that cannot be sensed by the system, design and arrangement of the information monitored and scanned by the flight crew can facilitate error detection. An example would be alignment of engine speed indicator needles in the same direction during normal operation.
- Aeroplane alerting and indication systems may not detect whether an action is erroneous because systems cannot know flight crew intent for many operational circumstances. In these cases, reliance is often placed on the flight crew’s ability to scan and observe indications that will change as a result of an action such as selecting a new altitude or heading, or making a change to a flight plan in a flight management system. For errors of this nature, detection depends on flight crew interpretation of available information. Training, crew resource management, and monitoring systems such as TAWS and TCAS are examples of ways to provide a redundant level of safety if any or all flight-crew members fail to detect certain errors.
- From a design standpoint, some information, such as heading, altitude, and fuel state, should be provided as readily available indications rather than in the form of alerts when there is potential for them to contribute to excessive nuisance alerts.

The applicant may establish that information is available and clearly related to the error by design description when precedent exists or when a reasonable case may be made that the content of the information is clearly related to the error that caused it. In some cases, piloted evaluations (see 6.3.4) may be needed to assess whether the information provided is adequately available and detectable.

5.6.3 Error Recovery

Assuming that the flight crew detects errors or their effects, the next logical step is to ensure that the error can be reversed, or the effect of the error can be mitigated in some way so that the aeroplane is returned to a safe state.

An acceptable means to establish that an error is recoverable is to show that:

- Controls and indications exist that can be used either to reverse an erroneous action directly so that the aeroplane or system is returned to the original state, or to mitigate the effect so that the aeroplane or system is returned to a safe state, and
- The flight crew can be expected to use those controls and indications to accomplish the corrective actions in a timely manner.

To establish the adequacy of controls and indications that facilitate error recovery, a statement of similarity or design description of the system and crew interface may be sufficient. For simple or familiar types of system interfaces, or systems that are not novel, even if complex, a statement of similarity or design description of the crew interfaces and procedures associated with indications is an acceptable means of compliance.

To establish that the flight crew can be expected to use those controls and indications to accomplish corrective actions in a timely manner, evaluation of flight crew procedures in a simulated flight deck environment can be highly effective. This evaluation should include examination of nomenclature used in alert messages, controls, and other indications. It should also include the logical flow of procedural steps and the effects that executing the procedures have on other systems.

CS-25 BOOK 2**5.6.4 Error Effects**

Another means of satisfying the objective of error mitigation is to ensure that effects of the error or relevant effects on aeroplane state:

- Are evident to the flight crew, and
- Do not adversely impact safety (do not prevent continued safe flight and landing).

Piloted evaluations in the aeroplane or in simulation may be relevant if flight crew performance issues are in question for determining whether a state following an error permits continued safe flight and landing. Evaluations and/or analyses may be used to show that, following an error, the flight crew has the information in an effective form and has the aeroplane capability required to continue safe flight and landing.

5.6.5 Precluding Errors or Their Effects

For irreversible errors that have potential safety implications, means to discourage the errors are recommended. Acceptable ways to discourage errors include switch guards, interlocks, or multiple confirmation actions. For example, generator drive controls on many aeroplanes have guards over the switches to discourage inadvertent actuation, because once disengaged, the drives cannot be re-engaged while in flight or with the engine running. An example of multiple confirmations would be presentation of a temporary flight plan that the flight crew can review before accepting.

Another way of avoiding flight crew error is to design systems to remove misleading or inaccurate information, (e.g., sensor failures), from displays. An example would be a system that removes flight director bars from a primary flight display or removing “own-ship” position from an airport surface map display when the data driving the symbols is incorrect.

The applicant should avoid applying an excessive number of protections for a given error. Excessive use of protections could have unintended safety consequences. They might hamper the flight-crew member’s ability to use judgment and take actions in the best interest of safety in situations not predicted by the applicant. If protections become a nuisance in daily operation flight crews may use well-intentioned and inventive means to circumvent them. This could have further effects not anticipated by the operator or the designer.

5.7 Integration**5.7.1 Introduction**

Many systems, such as flight management systems, are integrated physically and functionally into the flight deck and may interact with other flight deck systems. It is important to consider a design not just in isolation, but in the context of the overall flight deck. Integration issues include where a display or control is installed, how it interacts with other systems, and whether there is internal consistency across functions within a multi-function display, as well as consistency with the rest of the flight deck’s equipment.

CS 25.1302 requires that “...installed equipment must be shown, individually and in combination with other such equipment, to be designed so that qualified flight-crew members trained in its use can safely perform their tasks associated with its intended function ...”. To comply with this integration requirement, all flight deck equipment must be able to be used by the flight crew to perform their tasks, in any combination reasonably expected in service. Flight deck equipment includes interfaces to aeroplane systems the flight crew interacts with, such as controls, displays, indications, and annunciators.

Analyses, evaluations, tests and other data developed to establish compliance with each of the specific requirements in CS 25.1302(a) through (d) should address integration of new or novel design features or equipment with previously approved features or equipment as well as with other new items. It should include consideration of the following integration factors:

- Consistency (see 5.7.2)
- Consistency trade-offs (see 5.7.3)
- Flight deck environment (see 5.7.4)
- Integration related workload and error (see 5.7.5)

CS-25 BOOK 2**5.7.2 Consistency**

Consistency needs to be considered within a given system and across the flight deck. Inconsistencies may result in vulnerabilities, such as increased workload and errors, especially during stressful situations. For example, in some flight management systems, the format for entering latitude and longitude differs across the display pages. This may induce flight crew errors, or at least increase flight crew workload. Additionally, errors may result if latitude and longitude is displayed in a format that differs from formats on the most commonly used paper charts. Because of this, it is desirable to use formats that are consistent with other media whenever possible. Although trade-offs exist, as discussed in the next paragraph, the following are design attributes to consider for consistency within and across systems:

- Symbology, data entry conventions, formatting, colour philosophy, terminology, and labelling.
- Function and logic. For example, when two or more systems are active and performing the same function, they should operate consistently and use the same style interface.
- Information presented with other information of the same type that is used in the flight deck. For example, navigation symbology used on other flight deck systems or on commonly used paper charts should be considered when developing the symbology to be used on electronic map displays.
- The operational environment. It is important that a flight management system is consistent with the operational environment so that the order of the steps required to enter a clearance into the system is consistent with the order in which they are given by air traffic management.

Adherence to a flight deck design philosophy is one way to achieve consistency within a given system as well as within the overall flight deck. Another way is to standardise aspects of the design by using accepted, published industry standards such as the labels and abbreviations recommended in ICAO Annex 8400/5. The applicant might standardise symbols used to depict navigation aids (the very high frequency omnidirectional ranges, VORs, for example), by following the conventions recommended in SAE ARP5289. However, inappropriate standardisation, rigidly applied, can be a barrier to innovation and product improvement. Additionally, standardisation may result in a standard to the lowest common denominator. Thus, guidance in this paragraph promotes consistency rather than rigid standardisation.

5.7.3 Consistency Trade-Offs

It is recognised that it is not always possible or desirable to provide a consistent flight crew interface. Despite conformance with the flight deck design philosophy, principles of consistency, etc, it is possible to negatively impact flight crew workload,. For example, all auditory alerts may adhere to a flight deck alerting philosophy, but the number of alerts may be unacceptable. Consistent format across the flight deck may not work when individual task requirements necessitate presentation of data in two significantly different formats. An example is a weather radar display formatted to show a sector of the environment, while a moving map display shows a 360 degree view. In such cases it should be demonstrated that the interface design is compatible with the requirements of the piloting task and can be used individually and in combination with other interfaces without interference to either system or function.

Additionally:

- The applicant should provide an analysis identifying each piece of information or data presented in multiple locations and show that the data is presented in a consistent manner or, where that is not true, justify why that is not appropriate.
- Where information is inconsistent, that inconsistency should be obvious or annunciated, and should not contribute to errors in information interpretation.
- There should be a rationale for instances where a system's design diverges from the flight deck design philosophy. Consider any impact on workload and errors as a result of this divergence.
- The applicant should describe what conclusion the flight crew is expected to draw and what action should be taken when information on the display conflicts with other information on the flight deck (either with or without a failure).

CS-25 BOOK 2**5.7.4 Flight Deck Environment**

The flight deck system is influenced by physical characteristics of the aeroplane into which a system is integrated, as well as by operational environment characteristics. The system is subject to such influences on the flight deck as turbulence, noise, ambient light, smoke, and vibrations (such as those that may result from ice or fan blade loss). System design should recognise the effect of such influences on usability, workload, and crew task performance. Turbulence and ambient light, for example, may affect readability of a display. Flight deck noise may affect audibility of aural alerts. The applicant should also consider the impact of the flight deck environment for non-normal situations, such as unusual attitude recovery or regaining control of the aeroplane or system.

The flight deck environment includes the layout, or physical arrangement of the controls and information displays. Layout should take into account crew requirements in terms of:

- Access and reach (to controls).
- Visibility and readability of displays and labels.
- Task-oriented location and grouping of human-machine interaction elements.

An example of poor physical integration would be a required traffic avoidance system obscured by thrust levers in the normal operating position.

5.7.5 Integration Related Workload and Error

When integrating functions and/or equipment, designers should be aware of potential effects, both positive and negative, that integration can have on crew workload and its subsequent impact on error management. Systems must be designed and evaluated, both in isolation and in combination with other flight deck systems, to ensure that the flight crew is able to detect, reverse, or recover from errors. This may be more challenging when integrating systems that employ higher levels of automation or have a high degree of interaction and dependency on other flight deck systems.

Applicants should show that the integrated design does not adversely impact workload or errors given the context of the entire flight regime. Examples of such impacts would be increased time to:

- Interpret a function,
- Make a decision,
- Take appropriate actions.

Controls, particularly multi-function controls and/or novel control types, may present the potential for misidentification and increased response times. Designs should generally avoid multi-function controls with hidden functions, because they increase both crew workload and the potential for error.

Two examples of integrated design features that may or may not impact error and workload are as follows:

- Presenting the same information in two different formats. This may increase workload, such as when altitude information is presented concurrently in tape and round-dial formats. Yet different formats may be suitable depending on the design and the flight crew task. For example, an analog display of engine revolutions-per-minute can facilitate a quick scan, whereas a digital numeric display can facilitate precise inputs. The applicant is responsible for demonstrating compliance with CS 25.1523 and showing that differences in the formats do not result in unacceptable workload levels.
- Presenting conflicting information. Increases in workload and error may result from two displays depicting conflicting altitude information on the flight deck concurrently, regardless of format. Systems may exhibit minor differences between each flight-crew member station, but all such differences should be evaluated specifically to ensure that potential for interpretation error is minimised, or that a method exists for the flight crew to detect incorrect information, or that the effects of these errors can be precluded.

The applicant should show that the proposed function will not inappropriately draw attention away from other flight deck information and tasks in a way that degrades flight crew performance and decreases the overall level of safety. There are some cases where it may be acceptable for system design to increase workload. For

CS-25 BOOK 2

example, adding a display into the flight deck may increase workload by virtue of the additional time flight-crew members spend looking at it, but the safety benefit the additional information provides may make it an acceptable trade-off.

Because each new system integrated into the flight deck may have a positive or negative effect on workload, each must be evaluated in isolation and combination with the other systems for compliance with CS 25.1523. This is to ensure that the overall workload is acceptable, i.e., that performance of flight tasks is not adversely impacted and that the crew's detection and interpretation of information does not lead to unacceptable response times. Special attention should be paid to CS-25 Appendix D and specifically compliance for items that the appendix lists as workload factors. They include "accessibility, ease, and simplicity of operation of all necessary flight, power, and equipment controls."

6. MEANS OF COMPLIANCE

This paragraph discusses considerations in selecting means of compliance. It provides six general acceptable means to demonstrate compliance in addressing human performance issues. These means of compliance are generic and have been used in certification programmes. The acceptable means of compliance to be used on any given project should be determined on a case-by-case basis, driven by the specific compliance issues. They should be developed and proposed by the applicant, and then agreed to by the Agency. Uses and limitations of each type of compliance means are provided in paragraph 6.3.

6.1 Selecting Means of Compliance

The means of compliance discussed in this paragraph include:

- Statements of similarity (See paragraph 6.3.1),
- Design description (See paragraph 6.3.2),
- Calculations/analyses (See paragraph 6.3.3),
- Evaluations (See paragraph 6.3.4),
- Tests (See paragraph 6.3.5),

There is no generic method to determine appropriate compliance means for a specific project. The choice of an appropriate compliance means or combination of several different means depends on a number of factors specific to a project.

Some certification projects may necessitate more than one means of demonstrating compliance with a particular requirement. For example, when flight testing in a conforming aeroplane is not possible, a combination of design review and part-task simulation evaluation may be proposed.

Answering the following questions will aid in selecting means of compliance.

- With which means of compliance will it possible to gather the required certification data?
- Will a single means of compliance provide all of the data or will several means of compliance be used in series or in parallel?
- What level of fidelity of the facility is required to collect the required data?
- Who will be the participants?
- What level of training is required prior to acting as a participant?
- How will the data from an evaluation be presented to show compliance?
- Will results of a demonstration be submitted for credit?
- If a test is required, what conformed facility will be used?

6.2 Discussion and Agreement with the Agency on Compliance Demonstrations

The applicant's proposal for means of compliance must be coordinated with the Agency to ensure that all aspects necessary for desired credit towards certification are achieved. These could include the planned scenarios, the necessary types of human performance issues to be explored, or the conditions under which the test will be conducted to provide a realistic environment for the evaluation.

CS-25 BOOK 2**6.3 Description of Means of Compliance**

The six general means of compliance found to be acceptable for use in demonstrating compliance related to flight deck design are described in the following sub-paragraphs.

6.3.1 Statement of Similarity

Description
A statement of similarity is a description of the system to be approved and a description of a previously approved system detailing the physical, logical, and operational similarities with respect to compliance with requirements.
Deliverable
A statement of similarity could be part of a certification report, containing references to existing certification data/documents.
Participants
Not applicable.
Conformity
Not applicable.
Uses
It may be possible to substantiate the adequacy of a design by comparing it to previously certificated systems shown to be robust with respect to lack of contribution to crew error and/or capability of the flight crew to manage the situation should an error occur. This avoids repetition of unnecessary effort to justify the safety of such systems.
Limitations
A statement of similarity to show compliance must be used with care. The flight deck should be evaluated as a whole, not as merely a set of individual functions or systems. Two functions or features previously approved on separate programmes may be incompatible when combined on a single flight deck. Also, changing one feature in a flight deck may necessitate corresponding changes in other features, to maintain consistency and prevent confusion.
Example
If the window design in a new aeroplane is identical to that in an existing aeroplane, a statement of similarity may be an acceptable means of compliance to meet CS 25.773.

6.3.2 Design Description

The applicant may elect to substantiate that the design meets the requirements of a specific paragraph by describing the design. Applicants have traditionally used drawings, configuration descriptions, and/or design philosophy to show compliance. Selection of participants and conformity are not relevant to this means of compliance.

a. Drawings

Description
Layout drawings or engineering drawings, or both, depicting the geometric arrangement of hardware or display graphics.
Deliverable
The drawing, which can be part of a certification report.
Uses
Applicants can use drawings for very simple certification programmes when the change to the flight deck is very simple and straightforward. Drawings can also be used to support compliance findings for more

CS-25 BOOK 2

complex interfaces.
Limitations
The use of drawings is limited to physical arrangements and graphical concerns.

b. Configuration Description

Description
A configuration description is a description of the layout, general arrangement, direction of movement, etc., of regulated item. It can also be a reference to documentation, giving such a description (for example from a different project with similar layout) . It could be used to show the relative locations of flight instruments, groupings of control functions, allocation of colour codes to displays and alerts, etc.
Deliverable
Explanation of functional aspects of crew interface: text description of certification item and/or functional aspects of the crew interface with the system (with visuals as appropriate).
Uses
Configuration descriptions are generally less formalised than engineering drawings. They are developed to point out features of the design that support a finding of compliance. In some cases, such configuration descriptions may provide sufficient information for a finding of compliance. More often, however, they provide important background information, while final confirmation of compliance is found through other means, such as demonstrations or tests. The background information provided by configuration descriptions may significantly reduce the complexity and/or risk associated with demonstrations or tests. The applicant will have already communicated how a system works with the configuration description and any discussions or assumptions may have already been coordinated.
Limitations
Configuration descriptions may provide sufficient information for a finding of compliance with a specific requirement. More often, though, they provide important background information, while final confirmation of compliance is found by other means, such as demonstrations or tests. Background information provided by configuration descriptions may significantly reduce the complexity and/or risk associated with the demonstrations or tests.

c. Design philosophy

Description
A design philosophy approach can be used to demonstrate that an overall safety-centred philosophy, as detailed in the design specifications for the product/system or flight deck, has been applied.
Deliverable
Text description of certification item and/or functional aspects of the crew interface with the system (with figures and drawings as appropriate) and its relationship to overall design philosophy.
Uses
Documents the ability of a design to meet requirements of a specific paragraph.
Limitations
In most cases, this means of compliance will be insufficient as the sole means to demonstrate compliance.
Example
Design philosophy may be used as a means of compliance when a new alert is added to the flight deck, if the new alert is consistent with the acceptable existing alerting philosophy.

CS-25 BOOK 2

6.3.3 Calculation/analysis

Description
Calculations or engineering analyses (“paper and pencil” assessments) that do not require direct participant interaction with a physical representation of the equipment.
Deliverable
Report detailing the analysis, its components, evaluation assumptions, and basis for decision making. The report details results and conclusions.
Participants
Conducted by the applicant.
Conformity
Not applicable.
Uses
Provides a systematic evaluation of specific or overall aspects of the human interface part of the product/system/flight deck. May be specified by guidance material.
Limitations
Carefully consider the validity of the assessment technique for analyses not based on advisory material or accepted industry standard methods. Applicants may be asked to validate any computational tools used in such analyses. If analysis involves comparing measured characteristics to recommendations derived from pre-existing research (internal or public domain), the applicant may be asked to justify the applicability of data to the project.
Example
An applicant may conduct a vision analysis to demonstrate that the flight crew has a clear and undistorted view out the windows. Similarly, an analysis may also demonstrate that flight, navigation and powerplant instruments are plainly visible from the flight-crew member station. The applicant may need to validate results of the analysis in ground or flight test.

6.3.4 Evaluations

The applicant may use a wide variety of part-task to full-installation representations of the product/system or flight deck for evaluations. These all have two characteristics in common: (1) the representation of the human interface and the system interface do not necessarily conform to the final documentation, and (2) the certification Agency is generally not present. The paragraphs below address mock-ups, part-task simulations, full simulations, and in-flight evaluations that typically make up this group of means of compliance. A mock-up is a full-scale, static representation of the physical configuration (form and fit). It does not include functional aspects of the flight deck and its installed equipment.

Description
Evaluations are assessments of the design conducted by the applicant, who then provides a report of the results to the Agency.
Deliverable
A report, delivered to the Agency.
Participants
Applicant and possibly Agency
Facilities
An evaluation can be conducted in a mock-up, on a bench, or in a laboratory, simulator or aeroplane.

CS-25 BOOK 2

Conformity
Conformity is not required.
Mock-up evaluation
Mock-ups can be used as representations of the design, allowing participants to physically interact with the design. Three-dimensional representations of the design in a CAD system, in conjunction with three-dimensional models of the flight deck occupants, have also been used as “virtual” mock-ups for certain limited types of evaluations. Reach assessments, for example, can use either type of mock-up.
Example of a mock-up evaluation
An analysis to demonstrate that controls are arranged so that flight-crew members from 1.58 m (5ft 2 inches) to 1.91 m (6ft 3 inches) in height can reach all controls. This analysis may use computer-generated data based on engineering drawings. The applicant may demonstrate results of the analysis in the actual aeroplane.
Bench or laboratory evaluation
The applicant can conduct an evaluation using devices emulating crew interfaces for a single system or a related group of systems. The applicant can use flight hardware, simulated systems, or combinations of these.
Example of a bench or laboratory evaluation
A bench evaluation for an integrated system could be an avionics suite installed in a mock-up of a flight deck, with the main displays and autopilot controls included. Such a tool may be valuable during development and for providing system familiarisation to the Agency. However, in a highly integrated architecture, it may be difficult or impossible to assess how well the avionics system will fit into the overall flight deck without more complete simulation or use of the actual aeroplane.
Simulator evaluation
A simulator evaluation uses devices that present an integrated emulation (using flight hardware, simulated systems, or combinations of these) of the flight deck and the operational environment. These devices can also be “flown” with response characteristics that replicate, to some extent, responses of the aeroplane. Simulation functional and physical fidelity (or degree of realism) requirements will typically depend on the configurations, functions, tasks, and equipment.
Aeroplane evaluation
This is an evaluation conducted in the actual aeroplane.
Uses
Traditionally, these types of activities have been used as part of the design process without formal certification credit. However, these activities can result in better designs that are more likely to be compliant with applicable requirements.
Limitations
Evaluations are limited by the extent to which the facilities actually represent the flight deck configuration and realistically represent flight crew tasks. As flight deck systems become more integrated, part-task evaluations may become less useful as a means of compliance, even though their utility as engineering tools may increase.

6.3.5 Tests

Tests are means of compliance conducted in a manner very similar to evaluations (described above in paragraph 6.3.4). There is, however, a significant difference. Tests require a conforming product/system and system interface. A test can be conducted on a bench, in a laboratory, in a simulator, or on an aeroplane.

Description

CS-25 BOOK 2

Tests are assessments of the design conducted with the Agency present.
Deliverable
A report, delivered to the Agency.
Participants
Applicant and possibly Agency
Facilities
A test can be conducted on a bench or in a laboratory, simulator or an aeroplane.
Conformity
The facility must be conforming.
Bench or laboratory test
This type of testing is usually confined to showing that components perform as designed. Bench tests are usually not enough to stand alone as a means of compliance. They can, however, provide useful supporting data in combination with other means.
Example of a bench or laboratory test
The applicant might show visibility of a display under the brightest of expected lighting conditions with a bench test, provided there is supporting analysis to define the expected lighting conditions. Such supporting information might include a geometric analysis to show potential directions from which the sun could shine on the display, with calculations of expected viewing angles. These conditions might then be reproduced in the laboratory.
Conformity related to a bench or laboratory test
The part or system would need to be conforming to show compliance.
Simulator test
A simulator test uses devices that present an integrated emulation (using flight hardware, simulated systems, or combinations of these) of the flight deck and the operational environment. They can also be “flown” with response characteristics that replicate the responses of the aeroplane. The applicant should determine the physical and functional fidelity requirements of the simulation as a function of the issue under evaluation.
Simulator test conformity and fidelity issues
Only conforming parts of the flight deck may be used for simulator tests. Applicants may use a flight crew training simulator to validate most of the normal and emergency procedures for the design, and any workload effects of the equipment on the flight crew. If the flight deck is fully conforming and the avionics are driven by conforming hardware and software, then the applicant may conduct and use integrated avionics testing for showing compliance. Note that not all aspects of the simulation must have a high level of fidelity for any given compliance issue. Rather, assess fidelity requirements in view of the issue being evaluated.
Aeroplane test
Aeroplane tests can be conducted either on the ground or in flight.
Example of an aeroplane test
An example of a ground test is an evaluation for the potential of reflections on displays. Such a test usually involves covering the flight deck windows to simulate darkness and setting the flight deck lighting to desired levels. This particular test may not be possible in a simulator, because of differences in the light sources, display hardware, and/or window construction.
Flight testing during certification is the final demonstration of the design. These are tests conducted in a conforming aeroplane during flight. The aeroplane and its components (flight deck) are the most

CS-25 BOOK 2

representative of the type design to be certified and will be the closest to real operations of the equipment. In-flight testing is the most realistic testing environment, although it is limited to those evaluations that can be conducted safely. Flight testing can be used to validate and verify other tests previously conducted during the development and certification programme. It is often best to use flight testing as final confirmation of data collected using other means of compliance, including analyses and evaluations.

Limitations of flight tests

Flight tests may be limited by the extent to which flight conditions of particular interest (for example, weather, failure, unusual attitudes) can be found/produced and then safely evaluated in flight. Also note that flight testing on the aeroplane provides the least control over conditions of any of the means of compliance. The Agency and the applicant should thoroughly discuss how and when flight tests and their results will be used to show compliance.

AMC 25.1302 APPENDIX 1: Related regulatory material and documents

The following is a list of requirements, acceptable means of compliance and other documents relevant to flight deck design and flight crew interfaces which may be useful when reviewing this AMC.

1.1 Related EASA Certification Specifications

Table 1.1 List of related regulations and AMCs referenced in this document:

CS-25 BOOK 1 Requirements	General topic	CS-25 BOOK 2 Acceptable Means of Compliance
CS 25.785 (g)	Seats, berths, safety belts and harnesses	AMC 25.785 (g)
CS 25.1309(c)	Minimising flight crew errors that could create additional hazards.	AMC 25.1309
CS 25.1523	Minimum flight crew and workload.	AMC 25.1523
CS 25.1321	Arrangement and visibility	
CS 25.1322	Colours for warning, caution, or advisory lights.	AMC 25.1322
CS 25.1329	Autopilot, flight director, autothrust	AMC 25.1329
	Electronic displays	AMC 25-11
CS 25.1543	Instrument markings - general	AMC 25.1543

Note: The table above does not list all requirements associated with flight deck design and human performance. This AMC does not provide guidance for requirements that already have specific design requirements, such as CS 25.777(e), which states that “Wing flap controls and other auxiliary lift device controls must be located on top of the pedestal, aft of the throttles, centrally or to the right of the pedestal centerline, and not less than 25 cm (10 inches) aft of the landing gear control.”

1.2 RESERVED

1.3 FAA Orders and Policy

- Policy Memo ANM-99-2, Guidance for Reviewing Certification Plans to Address Human Factors for Certification of Transport Airplane Flight Decks.
- Policy Memo ANM-0103, Factors to Consider When Reviewing an Applicant’s Proposed Human Factors Methods of Compliance for Flight Deck Certification.
- FAA Notice 8110.98, Addressing Human Factors/Pilot Interface Issues of Complex, Integrated Avionics as Part of the Technical Standard Order (TSO) Process.

1.4 Other documents

Following is a list of other documents relevant to flight deck design and flight crew interfaces that may be useful when reviewing this AMC. Some contain special constraints and limitations, however, particularly those that are not aviation specific. For example, International Standard ISO 9241-4 has much useful guidance that is not aviation specific. When using that document, applicants should consider environmental factors such as the intended operational environment, turbulence, and lighting as well as cross-side reach.

- SAE ARP 4033 (Pilot-System Integration), August 1995

CS-25 BOOK 2

- SAE ARP5289, Electronic Aeronautical Symbols
- SAE ARP-4102/7, Electronic Displays
- FAA Human Factors Team report on: The Interfaces Between Flightcrews and Modern Flight Deck Systems, 1996
- DOT/FAA/RD –93/5: Human Factors for Flight Deck Certification Personnel
- ICAO 8400/5, Procedures for Air Navigation Services ICAO Abbreviations and Codes. Fifth Edition, 1999
- ICAO Human Factors Training Manual: DOC 9683 – AN/950
- International Standards ISO 9241-4, Ergonomic Requirements for Office Work with Visual Display Terminals (VDTs)

AMC 25.1302 APPENDIX 2: Definitions and acronyms

Following is a list of terms, abbreviations, and acronyms used throughout this advisory material and in CS-25.

2.1 Abbreviations and acronyms

AC – Advisory circular

AMC – Acceptable Means of Compliance

CS – Certification Specifications

DOT – Department of Transportation

EASA – European Aviation Safety Agency

FAA – Federal Aviation Administration

ICAO – International Civil Aviation Organization

ISO – International Standards Organization

JAR – Joint Aviation Requirements

JAR OPS – Joint Aviation Requirements (Commercial Air Transportation - Aeroplanes)

MOC – Means of Compliance

SAE – Society of Automotive Engineers

STC – Supplemental Type Certificate

TAWS – Terrain Awareness Warning System

TCAS – Traffic Collision Avoidance System

TSO – Technical Standards Order

VOR – Very High Frequency Omnidirectional Range

2.2 Definitions

Following is a list of terms and definitions used in this AMC.

Alert – A generic term used to describe a flight deck indication meant to attract the attention of the flight crew, and identify to them a non-normal operational or aeroplane system condition. Warnings, Cautions, and Advisories are considered to be alerts. (Reference definition in AMC 25.1322)

Automation – The autonomous execution of a task (or tasks) by aeroplane systems started by a high-level control action of the flight crew.

Conformity – Official verification that the flight deck/system/product conforms to the type design data. Conformity of the facility is one parameter that distinguishes one means of compliance from another.

CS-25 BOOK 2

Control Device (Flight Deck Control) – Device used by the flight crew to transmit their intent to the aeroplane systems.

Cursor Control Device – Control device for interacting with virtual controls, typically used with a graphical user interface on an electro-optical display.

Design Philosophy – A high-level description of human-centred design principles that guide the designer and aid in ensuring that a consistent, coherent user interface is presented to the flight crew.

Display – Device (typically visual but may be auditory or tactile) that transmits data or information from the aeroplane to the flight crew.

Multifunction Control – A control device that can be used for many functions as opposed to a control device with a single dedicated function.

Task Analysis – A formal analytical method used to describe the nature and relationship of complex tasks involving a human operator.

[Amdt. No.: 25/3]

[Amdt. No.: 25/11]

AMC 25.1305(a)(2)**Fuel indication system(s)**

0. Related references

AMC 25-11 Electronic Flight Deck Displays

1. Purpose

This AMC provides guidance and means of compliance for demonstrating compliance with CS 25.1305(a)(2) when designing a fuel indication system(s).

2. General objective

a. The primary function of fuel indication system(s) is indicating the usable fuel quantity on board an aircraft. Additionally, the fuel indication system(s) provide(s) any alert and information to the flight crew to assist them in the task of managing the fuel quantity on board.

b. Service experience indicates that scenarios leading to impending fuel starvation of one or more engines have developed into an unsafe system operating condition. Therefore, such scenarios have to be identified and, as required per CS 25.1309(c), appropriate information should be provided to the flight crew to enable them to take corrective action.

This information, including alerts, is provided in a timely manner so that any unsafe fuel starvation situation can be avoided.

c. The fuel indication system(s) alerts as a minimum inform the flight crew of:

- any abnormal fuel transfer;
- a trapped fuel situation;
- the existence of a fuel leak;
- a low fuel level situation.

For each alert, corrective actions are made available to the flight crew. This should include for instance:

- procedure(s) to identify and isolate the fuel leak;
- procedure(s) to correct the abnormal fuel transfer and/or to manage the trapped fuel situation;
- diversion procedure or the instruction to land as soon as possible;
- any required procedure to avoid additional hazard (for instance: fuel coming into contact with wheel brakes during landing when a fuel leak is not isolated; exceeding centre of gravity or fuel imbalance limits).

CS-25 BOOK 2**3. Usable fuel quantity**

a. The total usable fuel quantity is considered essential information. Operational regulations require the flight crew to regularly check the remaining total usable fuel quantity. This quantity is then evaluated when comparing the actual quantity of fuel used to the planned fuel consumption, and to ensure that sufficient fuel is available to complete the flight with the required fuel reserve. The total usable fuel quantity is therefore displayed full-time and it is easily and directly readable by the flight crew.

b. As required per CS 25.1337(b), there is a means to indicate to the flight crew the usable fuel quantity in each fuel tank. It is considered acceptable that these individual tank quantities be only displayed when required. This may be displayed either at pilot discretion (on demand) or automatically as determined to support operational procedures associated with fuel system alerts.

4. Abnormal fuel transfer between tanks

The fuel indication system(s) provide(s) any alert and information enabling identification of abnormal fuel transfer between tanks.

Abnormal fuel transfer between tanks is a fuel transfer that – if no corrective action is taken – can lead to no fuel becoming available to an engine and/or fuel imbalance. This may result either from a fuel management system failure or from inappropriate flight crew action.

5. Trapped fuel

The fuel indication system(s) provide(s) any alert and information enabling identification of trapped fuel situations.

Trapped fuel means any fuel quantity (above the unusable fuel quantity) gauged by the FQIS that cannot be supplied to the engine.

For instance, failure of an isolation valve in an auxiliary tank, failure of a transfer pump, fuel pipe failure inside a tank could result in trapped fuel. Also, inappropriate selection of fuel system configuration by the flight crew has to be considered.

6. Fuel leaks

The fuel indication system(s) provide(s), as early as practical, any alert and information enabling the crew to identify a fuel leak.

Fuel leaks can be caused by a loss of integrity of the fuel system (for instance, fuel pipes failures, leakage of connections) and result in fuel being drained overboard the aircraft.

The fuel leaks analysis will identify all foreseeable leakage sources from the aircraft fuel tank(s) to the engine fuel nozzles. For the engines, it means that the effects of leaks upstream and downstream of the engine fuel flow meter have to be considered.

The leak detection may be performed by monitoring and comparing several sources of information (for instance fuel flows, fuel used computation, usable fuel quantities per tank(s) and total usable fuel on board before take-off).

7. Low fuel level alert

a. The fuel indication system(s) trigger(s) an alert in case of low fuel level. The low fuel level cockpit alert is applicable to any tank or collector cell that is not expected to be depleted in flight because otherwise this situation would lead to an engine fuel starvation. Fuel tanks that may normally be depleted during flight do not require a low fuel level alert.

b. The alert is triggered when the quantity of usable fuel in the tank concerned reaches the quantity required to operate an engine for 30 minutes with the aircraft operated in optimum cruise conditions. When defining the 30 minutes under optimum cruise conditions the applicant will consider the mission profile for which the aircraft is designed.

c. The safety analysis in accordance with CS 25.1309(b) and (c) includes as a minimum the following failure scenarios:

- Erroneous high fuel quantity indication system (FQIS) readings;

CS-25 BOOK 2

- Loss of FQIS gauging information.

No single failure of the FQIS (including total loss of FQIS power supply) or total loss of the primary basic FQIS information will lead to the fuel low level alert not being correctly triggered.

[Amdt. No.: 25/12]

AMC 25.1303(b)(5)**Attitude Displays**1 *Attitude Displays*

1.1 For turbo-jet aeroplanes each display should be usable over the full range of 360° in pitch and in roll. For propeller-driven aeroplanes the pitch range may be reduced to $\pm 75^\circ$ provided that no misleading indication is given when the limiting attitude is exceeded.

1.2 Paragraph 1.1 is not intended to prohibit the use of vertical references having controlled gyro precession, or its equivalent in the case of a stable platform, but precession should not occur at a pitch attitude closer to the horizontal than 70°, and should be completed within an attitude change of 15°.

1.3 The display should take the form of an artificial horizon line, which moves relative to a fixed reference aeroplane symbol so as to indicate the position of the true horizon.

NOTES:

1 It is acceptable for the fixed reference aeroplane symbol to be positioned so that it is aligned with the horizon line during cruising flight.

2 If a variable index is provided in addition to the fixed aeroplane symbol it should be so designed that it will not introduce any risk of misinterpretation of the display.

1.4 There should be no means accessible to the flight crew of adjusting the relationship between the horizon line and the reference aeroplane symbol.

1.5 The artificial horizon line should move in roll so as to remain parallel to the true horizon, i.e. when the aeroplane rolls through an angle of 30° the artificial horizon line should also rotate through 30° relative to the fixed index.

1.6 The artificial horizon line should remain in view over a range of pitch attitudes sufficient to cover all normal operation of the aeroplane plus a margin of not less than 2° in either direction. Additional 'ghost' horizon lines should be provided parallel to the main horizon line so that beyond this range at least one such line is in view at an attitude with the range of the display.

1.7 The pitch attitude scale should be sensibly linear while the main horizontal line is in view, but may become non-linear beyond this range.

All the attitude displays in the aeroplane should have a similar presentation so as to prevent any risk of confusion in transferring attention from one display to another.

1.9 Sufficient pitch and bank angle graduations and markings should be provided to allow an acceptably accurate reading of attitude and to minimise the possibility of confusion at extreme attitudes.

1.10 A bank angle index and scale should be provided. The index may be on the fixed or moving part of the display.

1.11 The 'earth' and 'sky' areas of the display should be of contrasting colours or shades. The distinction should not be lost at any pitch or roll angle.

1.12 Any additional information (e.g. flight director commands) displayed on an attitude display should not obscure or significantly degrade the attitude information.

1.13 The display should be clearly visible under all conditions of daylight and artificial lighting.

1.14 Words that may be ambiguous (e.g. 'climb', 'dive', 'push', 'pull') should not be used.

2 *Attitude Display Systems (Acceptable Means of Compliance)*

CS-25 BOOK 2

2.1 The probability of indication of dangerously incorrect information without a warning being given should be Extremely Remote.

2.2 The warning may be provided by means of self- or comparison-monitoring and should be clear and unambiguous, e.g. a flashing light. Instrument flags are unlikely to be acceptable as a comparator warning unless they exclude a significant portion of the display in which case means should be provided to permit the removal of the flag from the display, which is not in error.

2.3 The definition of dangerously incorrect information depends to some extent on the characteristics of the aeroplane, but in general an error greater than 5° in pitch or 10° in roll will be considered to be dangerous.

AMC 25.1303(c)(1)**Flight and Navigation Instruments**

In the absence of warning through the inherent aerodynamic qualities of the aeroplane (e.g. buffeting) it should be shown that no single faults can result both in misleading airspeed information and in operation of the warning system outside its tolerances, such as would be likely to lead to exceedance of V_{MO}/M_{MO} .

AMC 25.1305(d)(1)**Powerplant Instruments**

The following are examples of parameters, which are considered to be directly related to thrust; fan RPM(N_1), integrated engine pressure ratio (IEPR) and engine pressure ratio (EPR), depending on engine type.

AMC 25.1309**System Design and Analysis****1. PURPOSE.**

a. This AMC describes acceptable means for showing compliance with the requirements of CS 25.1309. These means are intended to provide guidance to supplement the engineering and operational judgement that must form the basis of any compliance demonstration.

b. The extent to which the more structured methods and guidelines contained in this AMC should be applied is a function of systems complexity and systems failure consequence. In general, the extent and structure of the analyses required to show compliance with CS 25.1309 will be greater when the system is more complex and the effects of the Failure Conditions are more severe. This AMC is not intended to require that the more structured techniques introduced in this revision be applied where traditional techniques have been shown to be acceptable for more traditional systems designs. The means described in this AMC are not mandatory. Other means may be used if they show compliance with CS 25.1309.

2. RESERVED.**3. RELATED DOCUMENTS.**

The following guidance and advisory materials are referenced herein:

a. *Advisory Circulars, Acceptable Means of Compliance.*

(1) AMC 25.1322 Alerting Systems.

(2) AC 25-19/AMC 25-19 Certification Maintenance Requirements.

(3) AMC 20-115 Software Considerations for Airborne Systems and Equipment Certification.

(4) AMC 25.901(c) Safety Assessment of Powerplant Installations.

CS-25 BOOK 2**b. Industry documents.**

(1) RTCA, Inc., Document No. DO-160G/EUROCAE ED-14G, Environmental Conditions and Test Procedures for Airborne Equipment.

(2) Society of Automotive Engineers (SAE) Aerospace Recommended Practice (ARP) 4754A/EUROCAE ED-79A, Guidelines for development of civil aircraft and systems.

(3) Society of Automotive Engineers (SAE) Aerospace Recommended Practice (ARP) 4761, Guidelines and Methods for Conducting the Safety Assessment Process on Civil Airborne Systems and Equipment.

[Amdt. No.: 25/11]

[Amdt. No.: 25/12]

4. APPLICABILITY OF CS 25.1309.

Paragraph 25.1309 is intended as a general requirement that should be applied to any equipment or system as installed, in addition to specific systems requirements, except as indicated below.

a. While CS 25.1309 does not apply to the performance and flight characteristics of Subpart B and structural requirements of Subparts C and D, it does apply to any system on which compliance with any of those requirements is based. For example, it does not apply to an aeroplane's inherent stall characteristics or their evaluation, but it does apply to a stall warning system used to enable compliance with CS 25.207.

b. Certain single failures or jams covered by CS 25.671(c)(1) and CS 25.671(c)(3) are excepted from the requirements of CS 25.1309(b)(1)(ii). FAR 25.671(c)(1) requires the consideration of single failures, regardless of the probability of the failure. CS 25.671(c)(1) does not consider the effects of single failures if their probability is shown to be extremely improbable and the failures also meet the requirements of CS 25.571(a) and (b).

c. Certain single failures covered by CS 25.735(b)(1) are excepted from the requirements of CS 25.1309(b). The reason concerns the brake system requirement that limits the effect of a single failure to doubling the brake roll stopping distance. This requirement has been shown to provide a satisfactory level of safety without the need to analyse the particular circumstances and conditions under which the single failure occurs.

d. The failure effects covered by CS 25.810(a)(1)(v) and CS 25.812 are excepted from the requirements of CS 25.1309(b). The Failure Conditions associated with these cabin safety equipment installations are associated with varied evacuation scenarios for which the probability cannot be determined. It has not been proven possible to define appropriate scenarios under which compliance with CS 25.1309(b) can be demonstrated. It is therefore considered more practical to require particular design features or specific reliability demonstrations and except these items of equipment from the requirements of CS 25.1309(b). Traditionally, this approach has been found to be acceptable.

e. The requirements of CS 25.1309 are generally applicable to engine, propeller, and propulsion system installations. The specific applicability and exceptions are stated in CS 25.901(c).

f. Some systems and some functions already receive an evaluation to show compliance with specific requirements for specific Failure Conditions and therefore meet the intent of CS 25.1309 without the need for additional analysis for those specific Failure Conditions.

5. DEFINITIONS.

The following definitions apply to the system design and analysis requirements of CS 25.1309 and the guidance material provided in this AMC. They should not be assumed to apply to the same or similar terms used in other regulations or AMCs. Terms for which standard dictionary definitions apply are not defined herein.

CS-25 BOOK 2

a. *Analysis*. The terms "analysis" and "assessment" are used throughout. Each has a broad definition and the two terms are to some extent interchangeable. However, the term analysis generally implies a more specific, more detailed evaluation, while the term assessment may be a more general or broader evaluation but may include one or more types of analysis. In practice, the meaning comes from the specific application, e.g., fault tree analysis, Markov analysis, Preliminary System Safety Assessment, etc.

b. *Assessment*. See the definition of analysis above.

c. *Average Probability Per Flight Hour*. For the purpose of this AMC, is a representation of the number of times the subject Failure Condition is predicted to occur during the entire operating life of all aeroplanes of the type divided by the anticipated total operating hours of all aeroplanes of that type (Note: The Average Probability Per Flight Hour is normally calculated as the probability of a Failure Condition occurring during a typical flight of mean duration divided by that mean duration).

d. *Candidate Certification Maintenance Requirements (CCMR)*. A periodic maintenance or flight crew check may be used in a safety analysis to help demonstrate compliance with CS 25.1309(b) for Hazardous and Catastrophic Failure Conditions. Where such checks cannot be accepted as basic servicing or airmanship they become Candidate Certification Maintenance Requirements (CCMRs). AMC 25.19 defines a method by which Certification Maintenance Requirements (CMRs) are identified from the candidates. A CMR becomes a required periodic maintenance check identified as an operating limitation of the type certificate for the aeroplane.

e. *Check*. An examination (e.g., an inspection or test) to determine the physical integrity and/or functional capability of an item.

f. *Complex*. A system is Complex when its operation, failure modes, or failure effects are difficult to comprehend without the aid of analytical methods.

g. *Conventional*. A system is considered to be Conventional if its functionality, the technological means used to implement its functionality, and its intended usage are all the same as, or closely similar to, that of previously approved systems that are commonly-used.

h. *Design Appraisal*. This is a qualitative appraisal of the integrity and safety of the system design.

i. *Development Assurance*. All those planned and systematic actions used to substantiate, to an adequate level of confidence, that errors in requirements, design, and implementation have been identified and corrected such that the system satisfies the applicable certification basis.

j. *Error*. An omission or incorrect action by a crewmember or maintenance personnel, or a mistake in requirements, design, or implementation.

k. *Event*. An occurrence which has its origin distinct from the aeroplane, such as atmospheric conditions (e.g. gusts, temperature variations, icing and lightning strikes), runway conditions, conditions of communication, navigation, and surveillance services, bird-strike, cabin and baggage fires. The term is not intended to cover sabotage.

l. *Failure*. An occurrence, which affects the operation of a component, part, or element such that it can no longer function as intended, (this includes both loss of function and malfunction). Note: Errors may cause Failures, but are not considered to be Failures.

m. *Failure Condition*. A condition having an effect on the aeroplane and/or its occupants, either direct or consequential, which is caused or contributed to by one or more failures or errors, considering flight phase and relevant adverse operational or environmental conditions, or external events.

n. *Installation Appraisal*. This is a qualitative appraisal of the integrity and safety of the installation. Any deviations from normal, industry-accepted installation practices, such as clearances or tolerances, should be evaluated, especially when appraising modifications made after entry into service.

CS-25 BOOK 2

o. *Latent Failure.* A failure is latent until it is made known to the flight crew or maintenance personnel. A significant latent failure is one, which would in combination with one or more specific failures, or events result in a Hazardous or Catastrophic Failure Condition.

p. *Qualitative.* Those analytical processes that assess system and aeroplane safety in an objective, non-numerical manner.

q. *Quantitative.* Those analytical processes that apply mathematical methods to assess system and aeroplane safety.

r. *Redundancy.* The presence of more than one independent means for accomplishing a given function or flight operation.

s. *System.* A combination of components, parts, and elements, which are inter-connected to perform one or more functions.

6. BACKGROUND

a. General.

For a number of years aeroplane systems were evaluated to specific requirements, to the "single fault" criterion, or to the fail-safe design concept. As later-generation aeroplanes developed, more safety-critical functions were required to be performed, which generally resulted in an increase in the complexity of the systems designed to perform these functions. The potential hazards to the aeroplane and its occupants which could arise in the event of loss of one or more functions provided by a system or that system's malfunction had to be considered, as also did the interaction between systems performing different functions. This has led to the general principle that an inverse relationship should exist between the probability of a Failure Condition and its effect on the aeroplane and/or its occupants (see Figure 1). In assessing the acceptability of a design it was recognised that rational probability values would have to be established. Historical evidence indicated that the probability of a serious accident due to operational and airframe-related causes was approximately one per million hours of flight. Furthermore, about 10 percent of the total were attributed to Failure Conditions caused by the aeroplane's systems. It seems reasonable that serious accidents caused by systems should not be allowed a higher probability than this in new aeroplane designs. It is reasonable to expect that the probability of a serious accident from all such Failure Conditions be not greater than one per ten million flight hours or 1×10^{-7} per flight hour for a newly designed aeroplane. The difficulty with this is that it is not possible to say whether the target has been met until all the systems on the aeroplane are collectively analysed numerically. For this reason it was assumed, arbitrarily, that there are about one hundred potential Failure Conditions in an aeroplane, which could be Catastrophic. The target allowable Average Probability per Flight Hour of 1×10^{-7} was thus apportioned equally among these Failure Conditions, resulting in an allocation of not greater than 1×10^{-9} to each. The upper limit for the Average Probability per Flight Hour for Catastrophic Failure Conditions would be 1×10^{-9} , which establishes an approximate probability value for the term "Extremely Improbable". Failure Conditions having less severe effects could be relatively more likely to occur.

b. Fail-Safe Design Concept.

The CS-25 airworthiness standards are based on, and incorporate, the objectives and principles or techniques of the fail-safe design concept, which considers the effects of failures and combinations of failures in defining a safe design.

(1) The following basic objectives pertaining to failures apply:

(i) In any system or subsystem, the failure of any single element, component, or connection during any one flight should be assumed, regardless of its probability. Such single failures should not be Catastrophic.

(ii) Subsequent failures during the same flight, whether detected or latent, and combinations thereof, should also be assumed, unless their joint probability with the first failure is shown to be extremely improbable.

CS-25 BOOK 2

(2) The fail-safe design concept uses the following design principles or techniques in order to ensure a safe design. The use of only one of these principles or techniques is seldom adequate. A combination of two or more is usually needed to provide a fail-safe design; i.e. to ensure that Major Failure Conditions are Remote, Hazardous Failure Conditions are Extremely Remote, and Catastrophic Failure Conditions are Extremely Improbable:

- (i) *Designed Integrity and Quality*, including *Life Limits*, to ensure intended function and prevent failures.
- (ii) *Redundancy or Backup Systems* to enable continued function after any single (or other defined number of) failure(s); e.g., two or more engines, hydraulic systems, flight control systems, etc.
- (iii) *Isolation and/or Segregation of Systems, Components, and Elements* so that the failure of one does not cause the failure of another.
- (iv) *Proven Reliability* so that multiple, independent failures are unlikely to occur during the same flight.
- (v) *Failure Warning or Indication* to provide detection.
- (vi) *Flight crew Procedures* specifying corrective action for use after failure detection.
- (vii) *Checkability*: the capability to check a component's condition.
- (viii) *Designed Failure Effect Limits*, including the capability to sustain damage, to limit the safety impact or effects of a failure.
- (ix) *Designed Failure Path* to control and direct the effects of a failure in a way that limits its safety impact.
- (x) *Margins or Factors of Safety* to allow for any undefined or unforeseeable adverse conditions.
- (xi) *Error-Tolerance* that considers adverse effects of foreseeable errors during the aeroplane's design, test, manufacture, operation, and maintenance.

c. Highly Integrated Systems.

(1) A concern arose regarding the efficiency and coverage of the techniques used for assessing safety aspects of highly integrated systems that perform complex and interrelated functions, particularly through the use of electronic technology and software based techniques. The concern is that design and analysis techniques traditionally applied to deterministic risks or to conventional, non-complex systems may not provide adequate safety coverage for more complex systems. Thus, other assurance techniques, such as development assurance utilising a combination of process assurance and verification coverage criteria, or structured analysis or assessment techniques applied at the aeroplane level, if necessary, or at least across integrated or interacting systems, have been applied to these more complex systems. Their systematic use increases confidence that errors in requirements or design, and integration or interaction effects have been adequately identified and corrected.

(2) Considering the above developments, as well as revisions made to the CS 25.1309, this AMC was revised to include new approaches, both qualitative and quantitative, which may be used to assist in determining safety requirements and establishing compliance with these requirements, and to reflect revisions in the rule, considering the whole aeroplane and its systems. It also provides guidance for determining when, or if, particular analyses or development assurance actions should be conducted in the frame of the development and safety assessment processes. Numerical values are assigned to the probabilistic terms included in the requirements for use in those cases where the impact of system failures is examined by quantitative methods of analysis. The analytical tools used in determining numerical values are intended to supplement, but not replace, qualitative methods based on engineering and operational judgement.

[Amdt. No.: 25/8]

CS-25 BOOK 2**7. FAILURE CONDITION CLASSIFICATIONS AND PROBABILITY TERMS**

a. *Classifications.* Failure Conditions may be classified according to the severity of their effects as follows:

(1) *No Safety Effect:* Failure Conditions that would have no effect on safety; for example, Failure Conditions that would not affect the operational capability of the aeroplane or increase crew workload.

(2) *Minor:* Failure Conditions which would not significantly reduce aeroplane safety, and which involve crew actions that are well within their capabilities. Minor Failure Conditions may include, for example, a slight reduction in safety margins or functional capabilities, a slight increase in crew workload, such as routine flight plan changes, or some physical discomfort to passengers or cabin crew.

(3) *Major:* Failure Conditions which would reduce the capability of the aeroplane or the ability of the crew to cope with adverse operating conditions to the extent that there would be, for example, a significant reduction in safety margins or functional capabilities, a significant increase in crew workload or in conditions impairing crew efficiency, or discomfort to the flight crew, or physical distress to passengers or cabin crew, possibly including injuries.

(4) *Hazardous:* Failure Conditions, which would reduce the capability of the aeroplane or the ability of the crew to cope with adverse operating conditions to the extent that there would be:

(i) A large reduction in safety margins or functional capabilities;

(ii) Physical distress or excessive workload such that the flight crew cannot be relied upon to perform their tasks accurately or completely; or

(iii) Serious or fatal injury to a relatively small number of the occupants other than the flight crew.

(5) *Catastrophic:* Failure Conditions, which would result in multiple fatalities, usually with the loss of the aeroplane. (Note: A "Catastrophic" Failure Condition was defined in previous versions of the rule and the advisory material as a Failure Condition which would prevent continued safe flight and landing.)

b. *Qualitative Probability Terms.*

When using qualitative analyses to determine compliance with CS 25.1309(b), the following descriptions of the probability terms used in CS 25.1309 and this AMC have become commonly accepted as aids to engineering judgement:

(1) Probable Failure Conditions are those anticipated to occur one or more times during the entire operational life of each aeroplane.

(2) Remote Failure Conditions are those unlikely to occur to each aeroplane during its total life, but which may occur several times when considering the total operational life of a number of aeroplanes of the type.

(3) Extremely Remote Failure Conditions are those not anticipated to occur to each aeroplane during its total life but which may occur a few times when considering the total operational life of all aeroplanes of the type.

(4) Extremely Improbable Failure Conditions are those so unlikely that they are not anticipated to occur during the entire operational life of all aeroplanes of one type.

c. *Quantitative Probability Terms.*

When using quantitative analyses to help determine compliance with CS 25.1309(b), the following descriptions of the probability terms used in this requirement and this AMC have become commonly accepted as aids to engineering judgement. They are expressed in terms of acceptable ranges for the Average Probability Per Flight Hour.

CS-25 BOOK 2

(1) Probability Ranges.

(i) Probable Failure Conditions are those having an Average Probability Per Flight Hour greater than of the order of 1×10^{-5} .

(ii) Remote Failure Conditions are those having an Average Probability Per Flight Hour of the order of 1×10^{-5} or less, but greater than of the order of 1×10^{-7} .

(iii) Extremely Remote Failure Conditions are those having an Average Probability Per Flight Hour of the order of 1×10^{-7} or less, but greater than of the order of 1×10^{-9} .

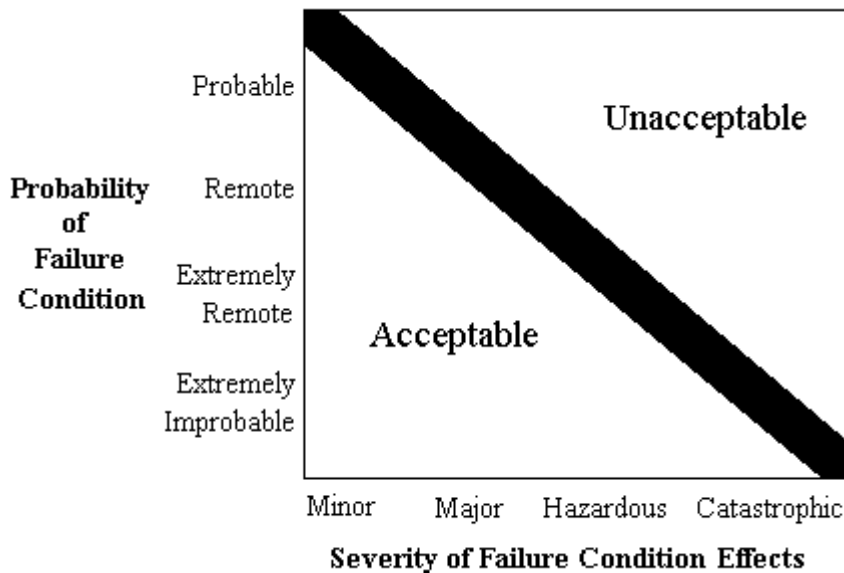
(iv) Extremely Improbable Failure Conditions are those having an Average Probability Per Flight Hour of the order of 1×10^{-9} or less.

8. SAFETY OBJECTIVE.

a. The objective of CS 25.1309 is to ensure an acceptable safety level for equipment and systems as installed on the aeroplane. A logical and acceptable inverse relationship must exist between the Average Probability Per Flight Hour and the severity of Failure Condition effects, as shown in Figure 1, such that:

- (1) Failure Conditions with No Safety Effect have no probability requirement.
- (2) Minor Failure Conditions may be Probable.
- (3) Major Failure Conditions must be no more frequent than Remote.
- (4) Hazardous Failure Conditions must be no more frequent than Extremely Remote.
- (5) Catastrophic Failure Conditions must be Extremely Improbable.

Figure 1: Relationship between Probability and Severity of Failure Condition Effects



b. The safety objectives associated with Failure Conditions are described in Figure 2.

CS-25 BOOK 2

Figure 2: Relationship Between Probability and Severity of Failure Condition

Effect on Aeroplane	No effect on operational capabilities or safety	Slight reduction in functional capabilities or safety margins	Significant reduction in functional capabilities or safety margins	Large reduction in functional capabilities or safety margins	Normally with hull loss
Effect on Occupants excluding Flight Crew	Inconvenience	Physical discomfort	Physical distress, possibly including injuries	Serious or fatal injury to a small number of passengers or cabin crew	Multiple fatalities
Effect on Flight Crew	No effect on flight crew	Slight increase in workload	Physical discomfort or a significant increase in workload	Physical distress or excessive workload impairs ability to perform tasks	Fatalities or incapacitation
Allowable Qualitative Probability	No Probability Requirement	<---Probable--- >	<----Remote---- >	Extremely <----- > Remote	Extremely Improbable
Allowable Quantitative Probability: Average Probability per Flight Hour on the Order of:	No Probability Requirement	<----- > <10 ⁻³ Note 1	<----- > <10 ⁻⁵	<----- > <10 ⁻⁷	<10 ⁻⁹
Classification of Failure Conditions	No Safety Effect	<-----Minor----- >	<-----Major----- >	<--Hazardous-- >	Catastrophic
Note 1: A numerical probability range is provided here as a reference. The applicant is not required to perform a quantitative analysis, nor substantiate by such an analysis, that this numerical criteria has been met for Minor Failure Conditions. Current transport category aeroplane products are regarded as meeting this standard simply by using current commonly-accepted industry practice.					

c. The safety objectives associated with Catastrophic Failure Conditions, may be satisfied by demonstrating that:

(1) No single failure will result in a Catastrophic Failure Condition; and

(2) Each Catastrophic Failure Condition is Extremely Improbable.

d. Exceptionally, for paragraph 8c(2) above of this AMC, if it is not technologically or economically practicable to meet the numerical criteria for a Catastrophic Failure Condition, the safety objective may be met by accomplishing all of the following:

CS-25 BOOK 2

- (1) Utilising well proven methods for the design and construction of the system; and
- (2) Determining the Average Probability per Flight Hour of each Failure Condition using structured methods, such as Fault Tree Analysis, Markov Analysis, or Dependency Diagrams; and
- (3) Demonstrating that the sum of the Average Probabilities per Flight Hour of all Catastrophic Failure Conditions caused by systems is of the order of 10^{-7} or less (See paragraph 6a for background).

9. COMPLIANCE WITH CS 25.1309.

This paragraph describes specific means of compliance for CS 25.1309. The applicant should obtain early concurrence of the certification authority on the choice of an acceptable means of compliance.

a. Compliance with CS 25.1309(a).

(1) Equipment covered by 25.1309(a)(1) must be shown to function properly when installed. The aeroplane operating and environmental conditions over which proper functioning of the equipment, systems, and installation is required to be considered includes the full normal operating envelope of the aeroplane as defined by the Aeroplane Flight Manual together with any modification to that envelope associated with abnormal or emergency procedures. Other external environmental conditions such as atmospheric turbulence, HIRF, lightning, and precipitation, which the aeroplane is reasonably expected to encounter, should also be considered. The severity of the external environmental conditions which should be considered are limited to those established by certification standards and precedence.

(2) In addition to the external operating and environmental conditions, the effect of the environment within the aeroplane should be considered. These effects should include vibration and acceleration loads, variations in fluid pressure and electrical power, fluid or vapour contamination, due either to the normal environment or accidental leaks or spillage and handling by personnel. Document referenced in paragraph 3b(1) defines a series of standard environmental test conditions and procedures, which may be used to support compliance. Equipment covered by (CS) Technical Standard Orders containing environmental test procedures or equipment qualified to other environmental test standards can be used to support compliance. The conditions under which the installed equipment will be operated should be equal to or less severe than the environment for which the equipment is qualified.

(3) The required substantiation of the proper functioning of equipment, systems, and installations under the operating and environmental conditions approved for the aeroplane may be shown by test and/or analysis or reference to comparable service experience on other aeroplanes. It must be shown that the comparable service experience is valid for the proposed installation. For the equipment systems and installations covered by CS 25.1309(a)(1), the compliance demonstration should also confirm that the normal functioning of such equipment, systems, and installations does not interfere with the proper functioning of other equipment, systems, or installations covered by CS 25.1309(a)(1).

(4) The equipment, systems, and installations covered by CS 25.1309(a)(2) are typically those associated with amenities for passengers such as passenger entertainment systems, in-flight telephones, etc., whose failure or improper functioning in itself should not affect the safety of the aeroplane. Operational and environmental qualification requirements for those equipment, systems, and installations are reduced to the tests that are necessary to show that their normal or abnormal functioning does not adversely affect the proper functioning of the equipment, systems, or installations covered by CS 25.1309(a)(1) and does not otherwise adversely influence the safety of the aeroplane or its occupants. Examples of adverse influences are: fire, explosion, exposing passengers to high voltages, etc.

b. Compliance with CS 25.1309(b).

Paragraph 25.1309(b) requires that the aeroplane systems and associated components, considered separately and in relation to other systems must be designed so that any Catastrophic Failure Condition is Extremely Improbable and does not result from a single failure. It also requires that any Hazardous

CS-25 BOOK 2

Failure Condition is extremely Remote, and that any Major Failure Condition is Remote. An analysis should always consider the application of the Fail-Safe design concept described in paragraph 6b, and give special attention to ensuring the effective use of design techniques that would prevent single failures or other events from damaging or otherwise adversely affecting more than one redundant system channel or more than one system performing operationally similar functions.

(1) *General.* Compliance with the requirements of CS 25.1309(b) should be shown by analysis and, where necessary, by appropriate ground, flight, or simulator tests. Failure Conditions should be identified and their effects assessed. The maximum allowable probability of the occurrence of each Failure Condition is determined from the Failure Condition's effects, and when assessing the probabilities of Failure Conditions appropriate analysis considerations should be accounted for. Any analysis must consider:

- (i) Possible Failure Conditions and their causes, modes of failure, and damage from sources external to the system.
- (ii) The possibility of multiple failures and undetected failures.
- (iii) The possibility of requirement, design and implementation errors.
- (iv) The effect of reasonably anticipated crew errors after the occurrence of a failure or Failure Condition.
- (v) The effect of reasonably anticipated errors when performing maintenance actions.
- (vi) The crew alerting cues, corrective action required, and the capability of detecting faults.
- (vii) The resulting effects on the aeroplane and occupants, considering the stage of flight and operating and environmental conditions.

(2) *Planning.* This AMC provides guidance on methods of accomplishing the safety objective. The detailed methodology needed to achieve this safety objective will depend on many factors, in particular the degree of systems complexity and integration. For aeroplanes containing many complex or integrated systems, it is likely that a plan will need to be developed to describe the intended process. This plan should include consideration of the following aspects:

- (i) Functional and physical interrelationships of systems.
- (ii) Determination of detailed means of compliance, which may include the use of Development Assurance techniques.
- (iii) Means for establishing the accomplishment of the plan.

(3) *Availability of Industry Standards and Guidance Materials.* There are a variety of acceptable techniques currently being used in industry, which may or may not be reflected in Documents referenced in paragraphs 3b(2) and 3b(3). This AMC is not intended to compel the use of these documents during the definition of the particular method of satisfying the objectives of this AMC. However, these documents do contain material and methods of performing the System Safety Assessment. These methods, when correctly applied, are recognised by the Agency as valid for showing compliance with CS 25.1309(b). In addition, Document referenced in paragraph 3b(3) contains tutorial information on applying specific engineering methods (e.g. Markov Analysis, Fault Tree Analysis) that may be utilised in whole or in part.

[Amdt. No.: 25/14]

(4) *Acceptable Application of Development Assurance Methods.* Paragraph 9b(1)(iii) above requires that any analysis necessary to show compliance with CS 25.1309(b) must consider the possibility of requirement, design, and implementation errors. Errors made during the design and development of systems have traditionally been detected and corrected by exhaustive tests conducted on the system and its components, by direct inspection, and by other direct verification methods capable of completely characterising the performance of the system. These direct techniques may still be appropriate for simple systems which perform

CS-25 BOOK 2

a limited number of functions and which are not highly integrated with other aeroplane systems. For more complex or integrated systems, exhaustive testing may either be impossible because all of the system states cannot be determined or impractical because of the number of tests which must be accomplished. For these types of systems, compliance may be shown by the use of Development Assurance. The level of Development Assurance should be determined by the severity of potential effects on the aeroplane in case of system malfunctions or loss of functions. Guidelines, which may be used for providing Development Assurance, are described for aircraft and systems in Document referenced in paragraph 3b(2), and for software in Documents referenced in paragraph 3a(3). (There is currently no agreed Development Assurance standard for hardware.) Because these documents were not developed simultaneously, there are differences in the guidelines and terminology that they contain. A significant difference is the guidance provided on the use of system architecture for determination of the appropriate development assurance level for hardware and software. EASA recognises that consideration of system architecture for this purpose is appropriate. If the criteria of Document referenced in paragraph 3b(2) are not satisfied by a particular development assurance process the development assurance levels may have to be increased using the guidance of Document referenced in paragraph 3a(3).

[Amdt. No.: 25/14]

(5) Crew and Maintenance Actions.

(i) Where an analysis identifies some indication to, and/or action by, the flight crew, cabin crew, or maintenance personnel, the following activities should be accomplished:

1 Verify that any identified indications are actually provided by the system.

2 Verify that any identified indications will, in fact, be recognised.

3 Verify that any actions required have a reasonable expectation of being accomplished successfully and in a timely manner.

(ii) These verification activities should be accomplished by consulting with engineers, pilots, flight attendants, maintenance personnel and human factors specialists as appropriate, taking due consideration of the consequences if the assumed action is not performed or mis-performed.

(iii) In complex situations, the results of the review by specialists may need to be confirmed by simulator or flight tests. However, quantitative assessments of the probabilities of crew or maintenance errors are not currently considered feasible. If the failure indications are considered to be recognisable and the required actions do not cause an excessive workload, then for the purposes of the analysis, the probability that the corrective action will be accomplished, can be considered to be one. If the necessary actions cannot be satisfactorily accomplished, the tasks and/or the systems need to be modified.

c. Compliance with CS 25.1309(c).

CS 25.1309(c) requires that information concerning unsafe system operating conditions must be provided to the crew to enable them to take appropriate corrective action. Compliance with this requirement is usually demonstrated by the analysis identified in paragraph 9b(1) above, which also includes consideration of crew alerting cues, corrective action required, and the capability of detecting faults. CS 25.1309(c) requires that a warning indication must be provided if immediate corrective action is required. Paragraph 25.1309(c) also requires that systems and controls, including indications and annunciations, must be designed to minimise crew errors, which could create additional hazards.

(1) The required information will depend on the degree of urgency for recognition and corrective action by the crew. It should be in the form of :

(i) a warning, if immediate recognition and corrective or compensatory action by the crew is required;

CS-25 BOOK 2

- (ii) a caution if immediate crew awareness is required and subsequent crew action will be required;
- (iii) an advisory, if crew awareness is required and subsequent crew action may be required;
- (iv) a message in the other cases.

CS 25.1322 (and AMC 25.1322) give further requirements (and guidance) on the characteristics of the information required (visual, aural) based on those different categories.

(2) When failure monitoring and indication are provided by a system, its reliability should be compatible with the safety objectives associated with the system function for which it provides that indication. For example, if the effects of having a failure and not annunciating that failure are Catastrophic, the combination of the failure with the failure of its annunciation must be Extremely Improbable. In addition, unwanted operation (e.g., nuisance warnings) should be assessed. The failure monitoring and indication should be reliable, technologically feasible and economically practicable. Reliable failure monitoring and indication should utilise current state of the art technology to maximise the probability of detecting and indicating genuine failures while minimising the probability of falsely detecting and indicating non-existent failures. Any indication should be timely, obvious, clear, and unambiguous.

(3) In the case of aeroplane conditions requiring immediate crew action, a suitable warning indication must be provided to the crew, if not provided by inherent aeroplane characteristics. In either case, any warning should be rousing and should occur at a point in a potentially catastrophic sequence where the aeroplane's capability and the crew's ability still remain sufficient for effective crew action.

(4) Unless they are accepted as normal airmanship, procedures for the crew to follow after the occurrence of failure warning should be described in the approved Aeroplane Flight Manual (AFM) or AFM revision or supplement.

(5) Even if operation or performance is unaffected or insignificantly affected at the time of failure, information to the crew is required if it is considered necessary for the crew to take any action or observe any precautions. Some examples include reconfiguring a system, being aware of a reduction in safety margins, changing the flight plan or regime, or making an unscheduled landing to reduce exposure to a more severe Failure Condition that would result from subsequent failures or operational or environmental conditions. Information is also required if a failure must be corrected before a subsequent flight. If operation or performance is unaffected or insignificantly affected, information and alerting indications may be inhibited during specific phases of flight where corrective action by the crew is considered more hazardous than no action.

(6) The use of periodic maintenance or flight crew checks to detect significant latent failures when they occur is undesirable and should not be used in lieu of practical and reliable failure monitoring and indications. Paragraph 12 provides further guidance on the use of periodic maintenance or flight crew checks. Comparison with similar, previously approved systems is sometimes helpful.

(7) Particular attention should be given to the placement of switches or other control devices, relative to one another, so as to minimise the potential for inadvertent incorrect crew action, especially during emergencies or periods of high workload. Extra protection, such as the use of guarded switches, may sometimes be needed.

[Amdt. No.: 25/11]

10. IDENTIFICATION OF FAILURE CONDITIONS AND CONSIDERATIONS WHEN ASSESSING THEIR EFFECTS.

a. Identification of Failure Conditions.

Failure Conditions should be identified by considering the potential effects of failures on the aeroplane and occupants. These should be considered from two perspectives:

CS-25 BOOK 2

(1) by considering failures of aeroplane level functions - Failure Conditions identified at this level are not dependent on the way the functions are implemented and the systems' architecture.

(2) by considering failures of functions at the system level - these Failure Conditions are identified through examination of the way that functions are implemented and the systems' architectures.

It should be noted that a Failure Condition might result from a combination of lower level Failure Conditions. This requires that the analysis of complex, highly integrated systems, in particular, should be conducted in a highly methodical and structured manner to ensure that all significant Failure Conditions, which arise from multiple failures and combinations of lower level Failure Conditions, are properly identified and accounted for. The relevant combinations of failures and Failure Conditions should be determined by the whole safety assessment process that encompasses the aeroplane and system level functional hazard assessments and common cause analyses. The overall effect on the aeroplane of a combination of individual system Failure Conditions occurring as a result of a common or cascade failure, may be more severe than the individual system effect. For example, Failure Conditions classified as Minor or Major by themselves may have Hazardous effects at an aeroplane level, when considered in combination.

b. Identification of Failure Conditions Using a Functional Hazard Assessment.

(1) Before a detailed safety assessment is proceeded with, a Functional Hazard Assessment (FHA) of the aeroplane and system functions to determine the need for and scope of subsequent analysis should be prepared. This assessment may be conducted using service experience, engineering and operational judgement, and/or a top-down deductive qualitative examination of each function. A Functional Hazard Assessment is a systematic, comprehensive examination of aeroplane and system functions to identify potential Minor, Major, Hazardous, and Catastrophic Failure Conditions which may arise, not only as a result of malfunctions or failure to function, but also as a result of normal responses to unusual or abnormal external factors. It is concerned with the operational vulnerabilities of systems rather than with a detailed analysis of the actual implementation.

(2) Each system function should be examined with respect to the other functions performed by the system, because the loss or malfunction of all functions performed by the system may result in a more severe failure condition than the loss of a single function. In addition, each system function should be examined with respect to functions performed by other aeroplane systems, because the loss or malfunction of different but related functions, provided by separate systems may affect the severity of Failure Conditions postulated for a particular system.

(3) The Functional Hazard Assessment is an engineering tool, which should be performed early in the design and updated as necessary. It is used to define the high-level aeroplane or system safety objectives that must be considered in the proposed system architectures. It should also be used to assist in determining the development assurance levels for the systems. Many systems may need only a simple review of the system design by the applicant to determine the hazard classification. A Functional Hazard Assessment requires experienced engineering judgement and early co-ordination between the applicant and the certification authority.

(4) Depending on the extent of functions to be examined and the relationship between functions and systems, different approaches to Functional Hazard Assessment may be taken. Where there is a clear correlation between functions and systems, and where system, and hence function, interrelationships are relatively simple, it may be feasible to conduct separate Functional Hazard Assessments for each system, providing any interface aspects are properly considered and are easily understood. However, where system and function interrelationships are more complex, a top down approach, from an aeroplane level perspective, should be taken in planning and conducting Functional Hazard Assessments.

c. Considerations When Assessing Failure Condition Effects.

The requirements of CS 25.1309(b) are intended to ensure an orderly and thorough evaluation of the effects on safety of foreseeable failures or other events, such as errors or external circumstances, separately or in combination, involving one or more system functions. The interactions of these factors within a system and

CS-25 BOOK 2

among relevant systems should be considered. In assessing the effects of a Failure Condition, factors, which might alleviate or intensify the direct effects of the initial Failure Condition should be considered. Some of these factors include consequent or related conditions existing within the aeroplane which may affect the ability of the crew to deal with direct effects, such as the presence of smoke, acceleration effects, interruption of communication, interference with cabin pressurisation, etc. When assessing the consequences of a given Failure Condition, account should be taken of the failure information provided, the complexity of the crew action, and the relevant crew training. The number of overall Failure Conditions involving other than instinctive crew actions may influence the flight crew performance that can be expected. Training recommendations may need to be identified in some cases.

(1) The severity of Failure Conditions should be evaluated according to the following:

(i) Effects on the aeroplane, such as reductions in safety margins, degradation in performance, loss of capability to conduct certain flight operations, reduction in environmental protection, or potential or consequential effects on structural integrity.

(ii) Effects on the crewmembers, such as increases above their normal workload that would affect their ability to cope with adverse operational or environmental conditions or subsequent failures.

(iii) Effects on the occupants, i.e., passengers and crewmembers.

(2) For convenience in conducting design assessments, Failure Conditions may be classified according to the severity of their effects as No Safety Effect, Minor, Major, Hazardous, or Catastrophic. Paragraph 7a above provides accepted definitions of these terms.

(i) The classification of Failure Conditions does not depend on whether or not a system or function is the subject of a specific requirement or regulation. Some "required" systems, such as transponders, position lights, and public address systems, may have the potential for only Minor Failure Conditions. Conversely, other systems which are not "required", such as auto flight systems, may have the potential for Major, Hazardous, or Catastrophic Failure Conditions.

(ii) Regardless of the types of assessment used, the classification of Failure Conditions should always be accomplished with consideration of all relevant factors; e.g., system, crew, performance, operational, external. Examples of factors include the nature of the failure modes, any effects or limitations on performance, and any required or likely crew action. It is particularly important to consider factors that would alleviate or intensify the severity of a Failure Condition. An example of an alleviating factor would be the continued performance of identical or operationally similar functions by other systems not affected by the Failure Condition. Examples of intensifying factors would include unrelated conditions that would reduce the ability of the crew to cope with a Failure Condition, such as weather or other adverse operational or environmental conditions.

11. ASSESSMENT OF FAILURE CONDITION PROBABILITIES AND ANALYSIS CONSIDERATIONS.

After the Failure Conditions have been identified and the severity of the effects of the Failure Conditions have been assessed, there is a responsibility to determine how to show compliance with the requirement and obtain the concurrence of EASA. Design and installation reviews, analyses, flight tests, ground tests, simulator tests, or other approved means may be used.

a. Assessment of Failure Condition Probabilities.

(1) The probability that a Failure Condition would occur may be assessed as Probable, Remote, Extremely Remote, or Extremely Improbable. These terms are defined in paragraph 7. Each Failure Condition should have a probability that is inversely related to the severity of its effects as described in paragraph 8.

(2) When a system provides protection from events (e.g., cargo compartment fire, gusts), its reliability should be compatible with the safety objectives necessary for the Failure Condition associated with the failure of the protection system and the probability of such events. (See paragraph 11g of this AMC and Appendix 4.)

CS-25 BOOK 2

(3) An assessment to identify and classify Failure Conditions is necessarily qualitative. On the other hand, an assessment of the probability of a Failure Condition may be either qualitative or quantitative. An analysis may range from a simple report that interprets test results or compares two similar systems to a detailed analysis that may or may not include estimated numerical probabilities. The depth and scope of an analysis depends on the types of functions performed by the system, the severity of Failure Conditions, and whether or not the system is complex.

(4) Experienced engineering and operational judgement should be applied when determining whether or not a system is complex. Comparison with similar, previously approved systems is sometimes helpful. All relevant systems attributes should be considered; however, the complexity of the software and hardware need not be a dominant factor in the determination of complexity at the system level, e.g., the design may be very complex, such as a satellite communication system, but its function may be fairly simple.

b. Single Failure Considerations.

(1) According to the requirements of CS 25.1309b(1)(ii), a Catastrophic Failure Condition must not result from the failure of a single component, part, or element of a system. Failure containment should be provided by the system design to limit the propagation of the effects of any single failure to preclude Catastrophic Failure Conditions. In addition, there must be no common cause failure, which could affect both the single component, part, or element, and its failure containment provisions. A single failure includes any set of failures, which cannot be shown to be independent from each other. Appendix 1 and Document referenced in paragraph 3b(3) describe types of common cause analyses, which may be conducted, to assure that independence is maintained. Failure containment techniques available to establish independence may include partitioning, separation, and isolation.

[Amdt. No.: 25/14]

(2) While single failures must normally be assumed to occur, there are cases where it is obvious that, from a realistic and practical viewpoint, any knowledgeable, experienced person would unequivocally conclude that a failure mode simply would not occur, unless it is associated with a wholly unrelated Failure Condition that would itself be Catastrophic. Once identified and accepted, such cases need not be considered failures in the context of CS 25.1309. For example, with simply loaded static elements, any failure mode, resulting from fatigue fracture, can be assumed to be prevented if this element is shown to meet the damage tolerance requirements of CS 25.571.

c. Common Cause Failure Considerations. An analysis should consider the application of the fail-safe design concept described in paragraph 6b and give special attention to ensure the effective use of design and installation techniques that would prevent single failures or other events from damaging or otherwise adversely affecting more than one redundant system channel, more than one system performing operationally similar functions, or any system and an associated safeguard. When considering such common-cause failures or other events, consequential or cascading effects should be taken into account. Some examples of such potential common cause failures or other events would include rapid release of energy from concentrated sources such as uncontained failures of rotating parts (other than engines and propellers) or pressure vessels, pressure differentials, non-catastrophic structural failures, loss of environmental conditioning, disconnection of more than one subsystem or component by over temperature protection devices, contamination by fluids, damage from localised fires, loss of power supply or return (e.g. mechanical damage or deterioration of connections), excessive voltage, physical or environmental interactions among parts, errors, or events external to the system or to the aeroplane (see Document referenced in paragraph 3b(3)).

[Amdt. No.: 25/14]

d. Depth of Analysis. The following identifies the depth of analysis expected based on the classification of a Failure Condition.

CS-25 BOOK 2

(1) *No Safety Effect Failure Conditions.* A Functional Hazard Assessment, with a design and installation appraisal, to establish independence from other functions is necessary for the safety assessment of these Failure Conditions. If it is chosen not to do an FHA, the safety effects may be derived from the design and installation appraisal.

(2) *Minor Failure Conditions.* A Functional Hazard Assessment, with a design and installation appraisal, to establish independence from other functions is necessary for the safety assessment of these Failure Conditions. Combinations of Failure Condition effects, as noted in paragraph 10 above, must also be considered. If it is chosen not to do an FHA, the safety effects may be derived from the design and installation appraisal.

(3) *Major Failure Conditions.* Major Failure Conditions must be Remote:

(i) If the system is similar in its relevant attributes to those used in other aeroplanes and the effects of failure would be the same, then design and installation appraisals (as described in Appendix 1), and satisfactory service history of the equipment being analysed, or of similar design, will usually be acceptable for showing compliance.

(ii) For systems that are not complex, where similarity cannot be used as the basis for compliance, then compliance may be shown by means of a qualitative assessment which shows that the system level Major Failure Conditions, of the system as installed, are consistent with the FHA and are Remote, e.g., redundant systems.

(iii) For complex systems without redundancy, compliance may be shown as in paragraph 11d(3)(ii) of this AMC. To show that malfunctions are indeed Remote in systems of high complexity without redundancy (for example, a system with a self-monitoring microprocessor), it is sometimes necessary to conduct a qualitative functional Failure Modes and Effects Analysis (FMEA) supported by failure rate data and fault detection coverage analysis.

(iv) An analysis of a redundant system is usually complete if it shows isolation between redundant system channels and satisfactory reliability for each channel. For complex systems where functional redundancy is required, a qualitative FMEA and qualitative fault tree analysis may be necessary to determine that redundancy actually exists (e.g. no single failure affects all functional channels).

(4) *Hazardous and Catastrophic Failure Conditions.* Hazardous Failure Conditions must be Extremely Remote, and Catastrophic Failure Conditions must be Extremely Improbable:

(i) Except as specified in paragraph 11d(4)(ii) below a detailed safety analysis will be necessary for each Hazardous and Catastrophic Failure Condition identified by the functional hazard assessment. The analysis will usually be a combination of qualitative and quantitative assessment of the design.

(ii) For very simple and conventional installations, i.e. low complexity and similarity in relevant attributes, it may be possible to assess a Hazardous or Catastrophic Failure Condition as being Extremely Remote or Extremely Improbable, respectively, on the basis of experienced engineering judgement, using only qualitative analysis. The basis for the assessment will be the degree of redundancy, the established independence and isolation of the channels and the reliability record of the technology involved. Satisfactory service experience on similar systems commonly used in many aeroplanes may be sufficient when a close similarity is established in respect of both the system design and operating conditions.

(iii) For complex systems where true similarity in all relevant attributes, including installation attributes, can be rigorously established, it may be also possible to assess a Hazardous or Catastrophic Failure Condition as being Extremely Remote or Extremely Improbable, respectively, on the basis of experienced engineering judgement, using only qualitative analysis. A high degree of similarity in both design and application is required to be substantiated.

e. *Calculation of Average Probability per Flight Hour (Quantitative Analysis).*

CS-25 BOOK 2

(1) The Average Probability per Flight Hour is the probability of occurrence, normalised by the flight time, of a Failure Condition during a flight, which can be seen as an average over all possible flights of the fleet of aeroplane to be certified. The calculation of the Average Probability per Flight Hour for a Failure Condition should consider:

- (i) the average flight duration and the average flight profile for the aeroplane type to be certified,
- (ii) all combinations of failures and events that contribute to the Failure Condition,
- (iii) the conditional probability if a sequence of events is necessary to produce the Failure Condition,
- (iv) the relevant "at risk" time if an event is only relevant during certain flight phases,
- (v) the average exposure time if the failure can persist for multiple flights.

(2) The details how to calculate the Average Probability per Flight Hour for a Failure Condition are given in Appendix 3 of this AMC.

(3) If the probability of a subject Failure Condition occurring during a typical flight of mean duration for the aeroplane type divided by the flight's mean duration in hours is likely to be significantly different from the predicted average rate of occurrence of that Failure Condition during the entire operational life of all aeroplanes of that type, then a risk model that better reflects the Failure Condition should be used.

(4) It is recognised that, for various reasons, component failure rate data are not precise enough to enable accurate estimates of the probabilities of Failure Conditions. This results in some degree of uncertainty, as indicated by the wide line in Figure 1, and the expression "on the order of" in the descriptions of the quantitative probability terms that are provided above. When calculating the estimated probability of each Failure Condition, this uncertainty should be accounted for in a way that does not compromise safety.

f. *Integrated Systems.* Interconnections between systems have been a feature of aeroplane design for many years and CS 25.1309(b) recognises this in requiring systems to be considered in relation to other systems. Providing the interfaces between systems are relatively few and simple, and hence readily understandable, compliance may often be shown through a series of system safety assessments, each of which deals with a particular Failure Condition (or more likely a group of Failure Conditions) associated with a system and, where necessary, takes account of failures arising at the interface with other systems. This procedure has been found to be acceptable in many past certification programs. However, where the systems and their interfaces become more complex and extensive, the task of demonstrating compliance may become more complex. It is therefore essential that the means of compliance are considered early in the design phase to ensure that the design can be supported by a viable safety assessment strategy. Aspects of the guidance material covered elsewhere in this AMC and which should be given particular consideration are as follows:

- (1) planning the proposed means of compliance,
- (2) considering the importance of architectural design in limiting the impact and propagation of failures,
- (3) the potential for common cause failures and cascade effects and the possible need to assess combinations of multiple lower level (e.g. Major) Failure Conditions,
- (4) the importance of multi-disciplinary teams in identifying and classifying significant Failure Conditions,
- (5) effect of crew and maintenance procedures in limiting the impact and propagation of failures.

In addition, rigorous and well-structured design and development procedures play an essential role in facilitating a methodical safety assessment process and providing visibility to the means of compliance. Document referenced in paragraph 3b(2) may be helpful in the certification of highly integrated or complex aircraft systems.

CS-25 BOOK 2

g. *Operational or Environmental Conditions.* A probability of one should usually be used for encountering a discrete condition for which the aeroplane is designed, such as instrument meteorological conditions or Category III weather operations. However, Appendix 4 contains allowable probabilities, which may be assigned to various operational and environmental conditions for use in computing the average probability per flight hour of Failure Conditions resulting from multiple independent failures, without further justification. Appendix 4 is provided for guidance and is not intended to be exhaustive or prescriptive. At this time, a number of items have no accepted standard statistical data from which to derive a probability figure. However, these items are included for either future consideration or as items for which the applicant may propose a probability figure supported by statistically valid data or supporting service experience. The applicant may propose additional conditions or different probabilities from those in Appendix 4 provided they are based on statistically valid data or supporting service experience. The applicant should obtain early concurrence of the Agency when such conditions are to be included in an analysis. When combining the probability of such a random condition with that of a system failure, care should be taken to ensure that the condition and the system failure are independent of one another, or that any dependencies are properly accounted for.

[Amdt. No.: 25/14]

h. *Justification of Assumptions, Data Sources and Analytical Techniques.*

(1) Any analysis is only as accurate as the assumptions, data, and analytical techniques it uses. Therefore, to show compliance with the requirements, the underlying assumptions, data, and analytic techniques should be identified and justified to assure that the conclusions of the analysis are valid. Variability may be inherent in elements such as failure modes, failure effects, failure rates, failure probability distribution functions, failure exposure times, failure detection methods, fault independence, limitation of analytical methods, processes, and assumptions. The justification of the assumptions made with respect to the above items should be an integral part of the analysis. Assumptions can be validated by using experience with identical or similar systems or components with due allowance made for differences of design, duty cycle and environment. Where it is not possible to fully justify the adequacy of the safety analysis and where data or assumptions are critical to the acceptability of the Failure Condition, extra conservatism should be built into either the analysis or the design. Alternatively any uncertainty in the data and assumptions should be evaluated to the degree necessary to demonstrate that the analysis conclusions are insensitive to that uncertainty.

(2) Where adequate validation data is not available (e.g., new or novel systems), and extra conservatism is built into the analysis, then the normal post-certification in-service follow-up may be performed to obtain the data necessary to alleviate any consequence of the extra conservatism. This data may be used, for example, to extend system check intervals.

12. OPERATIONAL AND MAINTENANCE CONSIDERATIONS.

This AMC addresses only those operational and maintenance considerations that are directly related to compliance with CS 25.1309; other operational and maintenance considerations are not discussed herein. Flight crew and maintenance tasks related to compliance with this requirement should be appropriate and reasonable. However, quantitative assessments of crew errors are not considered feasible. Therefore, reasonable tasks are those for which full credit can be taken because they can realistically be anticipated to be performed correctly when they are required or scheduled. In addition, based on experienced engineering and operational judgement, the discovery of obvious failures during normal operation or maintenance of the aeroplane may be assumed, even though identification of such failures is not the primary purpose of the operational or maintenance actions.

a. *Flight crew Action.*

When assessing the ability of the flight crew to cope with a Failure Condition, the information provided to the crew and the complexity of the required action should be considered. If the evaluation indicates that a potential Failure Condition can be alleviated or overcome without jeopardising other safety related flight crew tasks and without requiring exceptional pilot skill or strength, credit may be taken for both qualitative and quantitative assessments. Similarly, credit may be taken for correct flight crew performance of the periodic

CS-25 BOOK 2

checks required to demonstrate compliance with CS 25.1309(b) provided overall flight crew workload during the time available to perform them is not excessive and they do not require exceptional pilot skill or strength. Unless flight crew actions are accepted as normal airmanship, they should be described in the approved Aeroplane Flight Manual.

b. Maintenance Action.

Credit may be taken for correct accomplishment of reasonable maintenance tasks, for both qualitative and quantitative assessments. The maintenance tasks needed to show compliance with CS 25.1309(b) should be established. In doing this, the following maintenance scenarios can be used:

- (1) Annunciated failures will be corrected before the next flight, or a maximum time period will be established before a maintenance action is required. If the latter is acceptable, the analysis should establish the maximum allowable interval before the maintenance action is required. These maximum allowable intervals should be reflected in either the MMEL or the type certificate.
- (2) Latent failures will be identified by a scheduled maintenance task. If this approach is taken, and the Failure Condition is Hazardous or Catastrophic, then a CCMR maintenance task should be established. Some Latent Failures can be assumed to be identified based upon return to service test on the LRU following its removal and repair (component Mean Time Between Failures (MTBF) should be the basis for the check interval time).

c. Candidate Certification Maintenance Requirements.

- (1) By detecting the presence of, and thereby limiting the exposure time to significant latent failures that would, in combination with one or more other specific failures or events identified by safety analysis, result in a Hazardous or Catastrophic Failure Condition, periodic maintenance or flight crew checks may be used to help show compliance with CS 25.1309(b). Where such checks cannot be accepted as basic servicing or airmanship they become CCMRs. AMC 25.19 details the handling of CCMRs.
- (2) Rational methods, which usually involve quantitative analysis, or relevant service experience should be used to determine check intervals. This analysis contains inherent uncertainties as discussed in paragraph 11e(3). Where periodic checks become CMRs these uncertainties justify the controlled escalation or exceptional short-term extensions to individual CMRs allowed under AMC 25.19.

d. Flight with Equipment or Functions known to be Inoperative.

A list may be developed of equipment and functions which need not be operative for flight, based on stated compensating precautions that should be taken, e.g., operational or time limitations, flight crew procedures, or ground crew checks. The documents used to show compliance with CS 25.1309, together with any other relevant information, should be considered in the development of this list, which then becomes the basis for a Master Minimum Equipment List (MMEL). Experienced engineering and operational judgement should be applied during the development of the MMEL.

13. ASSESSMENT OF MODIFICATIONS TO PREVIOUSLY CERTIFICATED AEROPLANES.

The means to assure continuing compliance with CS 25.1309 for modifications to previously certificated aeroplanes should be determined on a case-by-case basis and will depend on the applicable aeroplane certification basis and the extent of the change being considered. The change could be a simple modification affecting only one system or a major redesign of many systems, possibly incorporating new technologies. The minimal effort for demonstrating compliance to 25.1309 for any modification is an assessment of the impact on the original system safety assessment. The result of this assessment may range from a simple statement that the existing system safety assessment still applies to the modified system in accordance with the original means of compliance, to the need for new means of compliance encompassing the plan referred to in paragraph 9b. (STC applicants, if the TC holder is unwilling to release or transfer proprietary data in this regard, the STC applicant may have to create the System Safety Assessment. Further guidance may be found in paragraph 6 of Document referenced in paragraph 3b(2).)

It is recommended that the Agency be contacted early to obtain agreement on the means of compliance.

CS-25 BOOK 2

[Amdt. No.: 25/2]

[Amdt. No.: 25/3]

[Amdt. No.: 25/11]

[Amdt. No.: 25/14]

CS-25 BOOK 2**APPENDIX 1. ASSESSMENT METHODS.**

Various methods for assessing the causes, severity, and probability of Failure Conditions are available to support experienced engineering and operational judgement. Some of these methods are structured. The various types of analysis are based on either inductive or deductive approaches. Probability assessments may be qualitative or quantitative. Descriptions of some types of analysis are provided below and in Document referenced in paragraph 3b(3).

[Amdt. No.: 25/14]

- a. *Design Appraisal*. This is a qualitative appraisal of the integrity and safety of the system design.
- b. *Installation Appraisal*. This is a qualitative appraisal of the integrity and safety of the installation. Any deviations from normal, industry accepted installation practices, such as clearances or tolerances, should be evaluated, especially when appraising modifications made after entry into service.
- c. *Failure Modes and Effects Analysis*. This is a structured, inductive, bottom-up analysis, which is used to evaluate the effects on the system and the aeroplane of each possible element or component failure. When properly formatted, it will aid in identifying latent failures and the possible causes of each failure mode. Document referenced in paragraph 3b(3) provides methodology and detailed guidelines, which may be used to perform this type of analysis. A FMEA could be a piece part FMEA or a functional FMEA. For modern microcircuit based LRUs and systems an exhaustive piece part FMEA is not practically feasible with the present state of the art. In that context, a FMEA may be more functional than piece part oriented. A functional oriented FMEA can lead to uncertainties in the qualitative and quantitative aspects, which can be compensated for by more conservative assessment such as:

- assuming all failure modes result in the Failure Conditions of interest,
- careful choice of system architecture,
- taking into account the experience lessons learned on the use of similar technology.

[Amdt. No.: 25/14]

- d. *Fault Tree or Dependence Diagram Analysis*. Structured, deductive, top-down analyses that are used to identify the conditions, failures, and events that would cause each defined Failure Condition. They are graphical methods of identifying the logical relationship between each particular Failure Condition and the primary element or component failures, other events, or combinations thereof that can cause it. A failure modes and effects analysis may be used as the source document for those primary failures or other events.
- e. *Markov Analysis*. A Markov model (chain) represents various system states and the relationships among them. The states can be either operational or non-operational. The transitions from one state to another are a function of the failure and repair rates. Markov analysis can be used as a replacement for fault tree/dependence diagram analysis, but it often leads to more complex representation, especially when the system has many states. It is recommended that Markov analysis be used when fault tree or dependence diagrams are not easily usable, namely to take into account complex transition states of systems which are difficult to represent and handle with classical fault tree or dependence diagram analysis.
- f. *Common Cause Analysis*. The acceptance of adequate probability of Failure Conditions is often derived from the assessment of multiple systems based on the assumption that failures are independent. Therefore, it is necessary to recognise that such independence may not exist in the practical sense and specific studies are necessary to ensure that independence can either be assured or deemed acceptable.

The Common Cause Analysis is sub-divided into three areas of study:

- (1) *Zonal Safety Analysis*. This analysis has the objective of ensuring that the equipment installations within each zone of the aeroplane are at an adequate safety standard with respect to design and installation

CS-25 BOOK 2

standards, interference between systems, and maintenance errors. In those areas of the aeroplane where multiple systems and components are installed in close proximity, it should be ensured that the zonal analysis would identify any failure or malfunction which by itself is considered sustainable but which could have more serious effects when adversely affecting other adjacent systems or components.

(2) *Particular Risk Analysis*. Particular risks are defined as those events or influences, which are outside the systems concerned. Examples are fire, leaking fluids, bird strike, tire burst, high intensity radiated fields exposure, lightning, uncontained failure of high energy rotating machines, etc. Each risk should be the subject of a specific study to examine and document the simultaneous or cascading effects or influences, which may violate independence.

(3) *Common Mode Analysis*. This analysis is performed to confirm the assumed independence of the events, which were considered in combination for a given Failure Condition. The effects of specification, design, implementation, installation, maintenance, and manufacturing errors, environmental factors other than those already considered in the particular risk analysis, and failures of system components should be considered.

g. *Safety Assessment Process*. Appendix 2 provides an overview of the Safety Assessment Process.

CS-25 BOOK 2**APPENDIX 2. SAFETY ASSESSMENT PROCESS OVERVIEW.**

In showing compliance with 25.1309(b), the considerations covered in this AMC should be addressed in a methodical and systematic manner, which ensures that the process and its findings are visible and readily assimilated. This appendix is provided primarily for those who are not familiar with the various methods and procedures generally used in the industry to conduct safety assessments. This guide and Figures A2-1 and A2-2 are not certification checklists, and they do not include all the information provided in this AMC. There is no necessity for them to be used or for the Agency to accept them, in whole or in part, to show compliance with any regulation. Their sole purposes are to assist, by illustrating a systematic approach to safety assessments, to enhance understanding and communication by summarising some of the information provided in this AMC, and to provide some suggestions on documentation. More detailed guidance can be found in Document referenced in paragraph 3b(3). Document referenced in paragraph 3b(2) includes additional guidance on how the safety assessment process relates to the system development process.

[Amdt. No.: 25/14]

a. Define the system and its interfaces, and identify the functions that the system is to perform. Determine whether or not the system is complex, similar to systems used on other aeroplanes, or conventional. Where multiple systems and functions are to be evaluated, consider the relationships between multiple safety assessments.

b. Identify and classify Failure Conditions. All relevant engineering organisations, such as systems, structures, propulsion, and flight test, should be involved in this process. This identification and classification may be done by conducting a Functional Hazard Assessment, which is usually based on one of the following methods, as appropriate:

(1) If the system is not complex and its relevant attributes are similar to those of systems used on other aeroplanes, the identification and classification may be derived from design and installation appraisals and the service experience of the comparable, previously approved systems.

(2) If the system is complex, it is necessary to systematically postulate the effects on the safety of the aeroplane and its occupants resulting from any possible failures, considered both individually and in combination with other failures or events.

c. Choose the means to be used to determine compliance with CS 25.1309. The depth and scope of the analysis depends on the types of functions performed by the system, the severity of system Failure Conditions, and whether or not the system is complex (see Figure A2-2). For Major Failure Conditions, experienced engineering and operational judgement, design and installation appraisals and comparative service experience data on similar systems may be acceptable, either on their own or in conjunction with qualitative analyses or selectively used quantitative analyses. For Hazardous or Catastrophic Failure Conditions, a very thorough safety assessment is necessary. The early concurrence of the Agency on the choice of an acceptable means of compliance should be obtained.

d. Conduct the analysis and produce the data, which are agreed with the certification authority as being acceptable to show compliance. A typical analysis should include the following information to the extent necessary to show compliance:

(1) A statement of the functions, boundaries, and interfaces of the system.

(2) A list of the parts and equipment of which the system is comprised, including their performance specifications or design standards and development assurance levels if applicable. This list may reference other documents, e.g. European Technical Standard Orders (ETSOs), manufacturers or military specifications, etc.

(3) The conclusions, including a statement of the Failure Conditions and their classifications and probabilities (expressed qualitatively or quantitatively, as appropriate) that show compliance with the requirements of CS 25.1309.

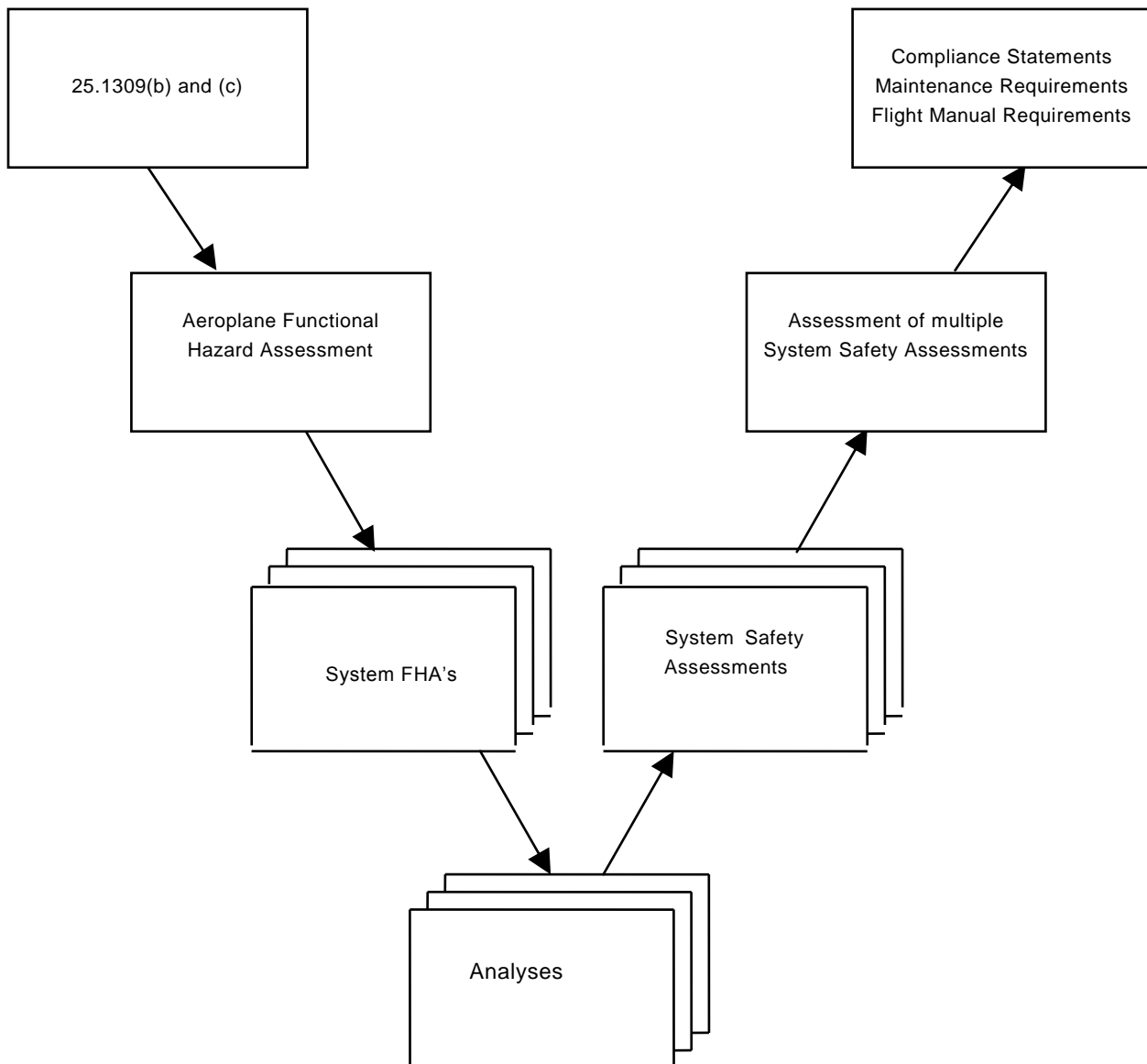
CS-25 BOOK 2

(4) A description that establishes correctness and completeness and traces the work leading to the conclusions. This description should include the basis for the classification of each Failure Condition (e.g., analysis or ground, flight, or simulator tests). It should also include a description of precautions taken against common-cause failures, provide any data such as component failure rates and their sources and applicability, support any assumptions made, and identify any required flight crew or ground crew actions, including any CCMRs.

e. Assess the analyses and conclusions of multiple safety assessments to ensure compliance with the requirements for all aeroplane level Failure Conditions.

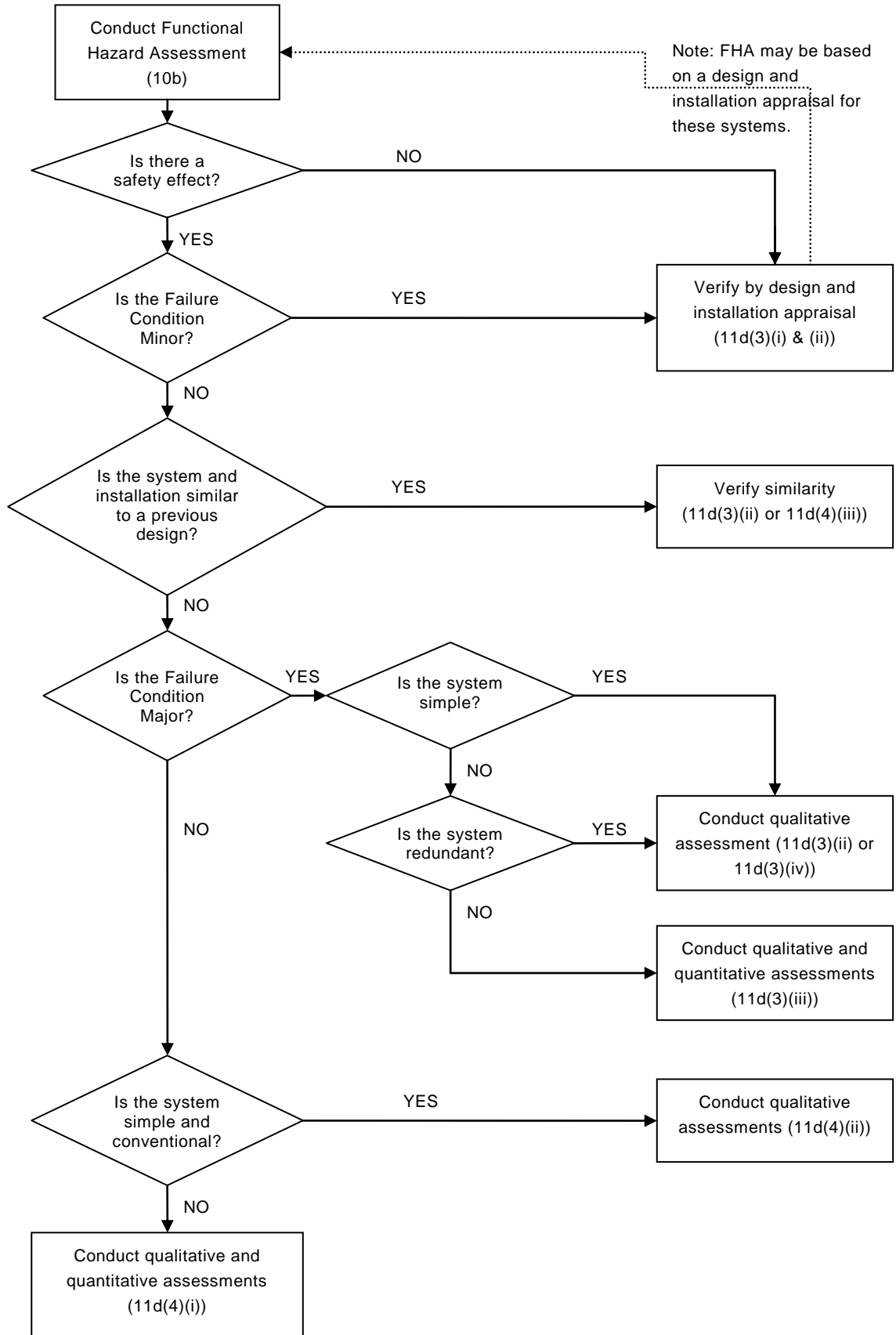
f. Prepare compliance statements, maintenance requirements, and flight manual requirements.

Figure A2-1: Safety Assessment Process Overview



CS-25 BOOK 2

Figure A2-2: Depth of Analysis Flowchart



CS-25 BOOK 2

[Amdt. No.: 25/12]

APPENDIX 3. CALCULATION OF THE AVERAGE PROBABILITY PER FLIGHT HOUR.

The purpose of this material is to provide guidance for calculating the "Average Probability per Flight Hour" for a Failure Condition so that it can be compared with the quantitative criteria of the AMC.

The process of calculating the "Average Probability per Flight Hour" for a Failure Condition will be described as a four-step process and is based on the assumption that the life of an aeroplane is a sequence of "Average Flights".

Step 1: Determination of the "Average Flight"

Step 2: Calculation of the probability of a Failure Condition for a certain "Average Flight"

Step 3: Calculation of the "Average Probability per Flight" of a Failure Condition

Step 4: Calculation of the "Average Probability Per Flight Hour" of a Failure Condition

a. *Determination of the "Average Flight"*. The "Average Probability per Flight Hour" is to be based on an "Average Flight". The average flight duration and average flight profile for the fleet of aeroplane to be certified should be estimated. The average flight duration should be estimated based on expectations and historical experience for similar types. The "Average Flight" duration should reflect the best estimate of the cumulative flight hours divided by the cumulative aeroplane flights for the service life of the aeroplane. The "Average Flight" profile should be based on the operating weight and performance expectations for the average aeroplane when flying a flight of average duration in an ICAO standard atmosphere. The duration of each flight phase (e.g. takeoff, climb, cruise, descent, approach and landing) in the "Average Flight" should be based on the average flight profile. Average taxi times for departure and arrival at an average airport should be considered where appropriate and added to the average flight time. The "Average Flight" duration and profile should be used as the basis for determining the "Average Probability per Flight Hour" for a quantitative safety assessment.

b. *Calculation of the Probability of a Failure Condition for a certain "Average Flight"*. The probability of a Failure Condition occurring on an "Average Flight" P_{Flight} (Failure Condition) should be determined by structured methods (see Document referenced in paragraph 3b(3) for example methods) and should consider all significant elements (e.g. combinations of failures and events) that contribute to the Failure Condition. The following should be considered:

[Amdt. No.: 25/14]

(1) The individual part, component, and assembly failure rates utilised in calculating the "Average Probability per Flight Hour" should be estimates of the mature constant failure rates after infant mortality and prior to wear-out and should be based on all causes of failure (operational, environmental, etc.). Where available, service history of same or similar components in the same or similar environment should be used.

(2) If the failure is only relevant during certain flight phases, the calculation should be based on the probability of failure during the relevant "at risk" time for the "Average Flight".

(3) If one or more failed elements in the system can persist for multiple flights (latent, dormant, or hidden failures), the calculation should consider the relevant exposure times (e.g. time intervals between maintenance and operational checks/ inspections). In such cases the probability of the Failure Condition increases with the number of flights during the latency period.

(4) If the failure rate of one element varies during different flight phases, the calculation should consider the failure rate and related time increments in such a manner as to establish the probability of the Failure Condition occurring on an "Average Flight":

CS-25 BOOK 2

It is assumed that the "Average Flight" can be divided into n phases (phase 1, ... , phase n). Let T_F the "Average Flight" duration, T_j the duration of phase j and t_j the transition point between T_j and T_{j+1} , $j=1, \dots, n$.
I.e.

CS-25 BOOK 2

$$T_F = \sum_{j=1}^n T_j \quad \text{and} \quad t_j - t_{j-1} = T_j ; j = 1, \dots, n$$

Let $\lambda_j(t)$ the failure rate function during phase j , i.e. for $t \in [t_{j-1}, t_j]$.

Remark: $\lambda_j(t)$ may be equal 0 for all $t \in [t_{j-1}, t_j]$ for a specific phase j .

Let $P_{\text{Flight}}(\text{Failure})$ the probability that the element fails during one certain flight (including non-flying time) and $P_{\text{Phase } j}(\text{Failure})$ the probability that the element fails in phase j .

Two cases are possible:

- (i) The element is checked operative at the beginning of the certain flight. Then

$$\begin{aligned} P_{\text{Flight}}(\text{Failure}) &= \sum_{j=1}^n P_{\text{Phase } j}(\text{Failure}) = \sum_{j=1}^n P(\text{Failure} | t \in [t_{j-1}, t_j]) \\ &= 1 - \prod_{i=1}^n \exp\left(-\int_{t_{i-1}}^{t_i} \lambda_i(x) dx\right) \end{aligned}$$

- (ii) The state of the item is unknown at the beginning of the certain flight. Then

$$\begin{aligned} P_{\text{Flight}}(\text{Failure}) &= P_{\text{prior}}(\text{Failure}) \\ &+ \left(1 - P_{\text{prior}}(\text{Failure})\right) \cdot \left(1 - \prod_{i=1}^n \exp\left(-\int_{t_{i-1}}^{t_i} \lambda_i(x) dx\right)\right) \end{aligned}$$

where $P_{\text{prior}}(\text{Failure})$ is the probability that the failure of the element has occurred prior to the certain flight.

(5) If there is only an effect when failures occur in a certain order, the calculation should account for the conditional probability that the failures occur in the sequence necessary to produce the Failure Condition.

c. *Calculation of the Average Probability per Flight of a Failure Condition.* The next step is to calculate the "Average Probability per Flight" for the Failure Condition. I.e. the probability of the Failure Condition for each flight (which might be different although all flights are "Average Flights") during the relevant time (e.g. the least common multiple of the exposure times or the aeroplane life) should be calculated, summed up and divided by the number of flights during that period. The principles of calculating are described below and also in more detail in Document referenced in paragraph 3b(3).

[Amdt. No.: 25/14]

$$P_{\text{Average per Flight}}(\text{Failure Condition}) = \frac{\sum_{k=1}^N P_{\text{Flight } k}(\text{Failure Condition})}{N}$$

Where N is the quantity of all flights during the relevant time, and $P_{\text{Flight } k}$ is the probability that the Failure Condition occurs in flight k .

CS-25 BOOK 2

d. *Calculation of the Average Probability per Flight Hour of a Failure Condition.* Once the "Average Probability per Flight" has been calculated it should be normalised by dividing it by the "Average Flight" duration T_F in Flight Hours to obtain the "Average Probability per Flight Hour". This quantitative value should be used in conjunction with the hazard category/effect established by the FHA to determine if it is compliant for the Failure Condition being analysed.

$$P_{\text{Average per FH}}(\text{Failure Condition}) = \frac{P_{\text{Average per Flight}}(\text{Failure Condition})}{T_F}$$

APPENDIX 4. ALLOWABLE PROBABILITIES.

The following probabilities may be used for environmental conditions and operational factors in quantitative safety analyses:

Environmental Factors

Condition	Model or other Justification	Probability
Normal icing (trace, light, moderate icing)		1
Severe icing		
Head wind >25 kts during takeoff and landing	AC 120-28 CS-AWO	10^{-2} per flight
Tail wind >10 kts during takeoff and landing	AC 120-28 CS-AWO	10^{-2} per flight
Cross wind >20 kts during takeoff and landing	AC 120-28 CS-AWO	10^{-2} per flight
Limit design gust and turbulence	CS 25.341(Under review by Structures Harmonisation Working Group)	10^{-5} per flight hour
Air temperature < -70°C		No accepted standard data
Lightning strike		No accepted standard data
HIRF conditions		No accepted standard data

Aeroplane Configurations

Configuration	Model or other Justification	Probability
Centre of gravity	Standard industry practice	Uniform over approved range
Landing and Takeoff Weights/Masses	Standard industry practice	Uniform over approved range

CS-25 BOOK 2*Flight Conditions*

Condition	Model or other Justification	Probability
Flight condition requiring Stall Warning	Assumption	10^{-2} per flight
Flight condition resulting in a Stall	Assumption	10^{-5} per flight
Excessiveness of V_{MO}/M_{MO}	Assumption	10^{-2} per flight
Flight condition greater than or equal to 1.5 g		No accepted standard data
Flight condition less than or equal to 0 g		No accepted standard data

Mission Dependencies

Event	Model or other Justification	Probability
Any rejected take-off		No accepted standard data
High energy rejected take-off		No accepted standard data
Need to jettison fuel		No accepted standard data
Go-around		No accepted standard data

Other Events

Event	Model or other Justification	Probability
Fire in a lavatory		No accepted standard data
Fire in a cargo compartment		No accepted standard data
Fire in APU compartment		No accepted standard data
Engine fire		No accepted standard data
Cabin high altitude requiring passenger oxygen		No accepted standard data

Notes:

1. If "No accepted standard data" appears in the above tables, the applicant must provide a justified value if a probability less than 1 is to be used in the analysis.
2. The probabilities quoted in this Appendix have been found to be appropriate for use in the context of a quantitative safety analysis performed to demonstrate compliance with CS 25.1309. They may not always be appropriate for use in the context of other requirements.

[Amdt. No.:25/2]

CS-25 BOOK 2**AMC 25.1310(a)****Power Source Capacity and Distribution**

When alternative or multiplication of systems and equipment is provided to meet the requirements of CS 25.1310(a), the segregation between circuits should be such as to minimise the risk of a single occurrence causing multiple failures of circuits or power supplies of the system concerned. For example, electrical cable bundles or groups of hydraulic pipes should be so segregated as to prevent damage to the main and alternative systems and power supplies.

AMC 25.1315**Negative Accelerations**

1 Demonstration of compliance with CS 25.1315 should be made by analysis and/or ground tests, and should be supported by flight tests.

2 *Analysis and/or Ground Tests.* Appropriate analysis and/or ground tests should be made on components of essential fluid systems and such other components as are likely to be adversely affected by negative acceleration to demonstrate that they will not produce a hazardous malfunction.

3 *Flight Tests*

3.1 The aeroplane should be subjected to –

a. One continuous period of at least five seconds at less than zero g, and, separately,

b. A period containing at least two excursions to less than zero g in rapid succession, in which the total time at less than zero g is at least five seconds.

3.2 The tests should be made at the most critical condition from the fuel flow standpoint, e.g. with fuel flow corresponding to maximum continuous power and with the fuel representing a typical operational low fuel condition as for a missed approach.

CS-25 BOOK 2**AMC 25.1322
Flight Crew Alerting**

Table of Contents

Paragraph

1. Purpose
 2. Applicability
 3. Related Examples, Regulations, Documents, and Definitions
 4. Background
 5. Designing a Flight crew Alerting System
 - a. General
 - b. Flight crew Alerting Philosophy
 - c. Design Considerations
 6. Alert Functional Elements
 - a. Warning Alerts
 - b. Time-Critical Warning Alerts
 - c. Master Visual and Aural Alerts
 - d. Caution Alerts
 - e. Advisory Alerts
 7. Alerting System Reliability and Integrity
 8. Managing Alerts
 - a. Rules and General Guidelines
 - b. Multiple Aural Alerts
 - c. Multiple Visual Alerts
 - d. Alert Inhibits
 9. Clearing and Recalling Visual Alert Messages
 10. Interface or Integration with Other Systems
 11. Colour Standardisation
 12. Minimising the Effects of False and Nuisance Alerts
 13. Showing Compliance for Approval of a Flight crew Alerting System
 14. Integrating Flight crew Alerting System Elements into the Existing Fleet
 - a. General
 - b. Visual Alerts
 - c. Aural Alerts
 - d. Tactile Alerts
 15. Alerts for Head-Up Displays (HUDs)
- List of Appendices

CS-25 BOOK 2

Appendix 1 Examples for Including Visual System Elements in an Alerting System

Appendix 2 Examples for Including Aural System Elements in an Alerting System

Appendix 3 Regulations

Appendix 4 Related Documents

Appendix 5 Definitions

1. Purpose

This AMC provides an acceptable means of compliance and guidance material for showing compliance with certain requirements of CS-25, for the design approval of flight crew alerting functions. This AMC addresses the type of alert function elements that should be considered (including visual, aural, and tactile or haptic elements), alert management, interface or integration of alerts with other systems, and colour standardisation. The appendices to this AMC also provide examples for including visual and aural system elements in an alerting system.

2. Scope

a. This AMC is applicable to aeroplane manufacturers, modifiers, avionics manufacturers, EASA type-certification engineers, human factor specialists and test pilots.

b. This AMC is applicable to new aeroplanes. It may also be applicable to modified aeroplanes and to integrating flight crew alerting system elements into existing aeroplanes. It applies to individual aircraft systems that provide flight crew alerting functions that may or may not be integrated with a central alerting system, as well as to systems whose primary function is alerting, such as a central alerting system.

3. Related Examples, Certification Specifications, Documents, and Definitions

Appendix 1 of this AMC provides examples for including visual system elements in an alerting system. Appendix 2 of this AMC provides examples for including aural system elements in an alerting system. Appendix 3 of this AMC lists the airworthiness and operational certification specifications related to this AMC. Appendix 4 of this AMC lists related AMCs and other documents that are provided for information purposes and are not necessarily directly referenced in this AMC. Appendix 5 provides definitions written to support the content of this AMC and its associated certification specification.

4. Background

a. While the flight crew is ultimately responsible for the operation of the aeroplane, the provision of an alerting system that aids the flight crew in identifying non-normal operational or aeroplane system conditions and in responding in an appropriate and timely manner is an essential feature of every flight deck design. In the past, aeroplanes were designed with discrete lights for the alerting function. Now the alerting function can be integrated with other systems, including electronic display systems, tactile warning systems, and aural warning or tone generating systems.

b. CS-25 often provides references to an alert, such as a warning, to provide awareness of a non-normal condition. Many of these certification specifications were written without recognition of a consistent flight deck alerting philosophy, and may use the term “warning” and “alert” in a generic sense. This AMC does not intend to conflict with or replace the intent of those certification specifications. The intent here is to standardise flight crew alerting terminology used and to provide a means for applicants to show compliance with those certification specifications.

5. Designing a Flight crew Alerting System

a. General. The purpose of flight crew alerts on aeroplanes is to attract the attention of the flight crew, to inform them of specific non-normal aeroplane system conditions or certain non-normal operational events that require their awareness, and, in modern alerting systems, to advise them of possible actions to address these conditions. The ability of an alert to accomplish its intent depends on the design of the complete alert function. This includes the sensor and the sensed condition required to trigger an alert, how that information is subsequently processed, including the level of urgency and priority assigned, and the choice of alert

CS-25 BOOK 2

presentation elements to express the assigned level of urgency. Conditions that do not require flight crew awareness should not generate an alert.

b. Flight crew Alerting Philosophy. When developing a flight crew alerting system, use a consistent philosophy for alerting conditions, urgency and prioritisation, and presentation.

(1) Alerting conditions. Establish how aeroplane system conditions or operational events that require an alert (for example, engine overheating, windshear, etc.), will be determined.

(2) Urgency and Prioritisation. Establish how the level of urgency (Warning, Caution and Advisory) associated with each alerting condition will be prioritised and classified to meet the requirements listed in CS 25.1322(b) and CS 25.1322(c)(1). If an alert's urgency and prioritisation is context sensitive, state what information should be considered (for example, the priority associated with different alerting conditions may vary depending on the state of the aeroplane, phase of flight, system configuration, etc.).

(3) Presentation. Establish a consistent alert presentation scheme (for example, location of the alert on the flight deck, alert combinations [aural, visual, tactile], information presented in the Alert message, and colour and graphical coding standardisation). Also, determine the format in which that alert will be presented (for example, structure and timing of Alert messages) to support the alerting function's purpose.

c. Design Considerations. Consider the following concepts and elements when designing an alerting system:

(1) Only non-normal aeroplane system conditions and operational events that require flight crew awareness to support flight crew decision making and facilitate the appropriate flight crew response should cause an alert. However, conditions that require an alert depend on the specific system and aeroplane design, and overall flight-deck philosophy. For example, the failure of a single sensor in a multi-sensor system may not necessarily result in an alert condition that requires pilot awareness. However, for a single sensor system, such a failure should result in an alert condition that provides the flight crew with the information needed to assure continued safe flight and landing.

(2) All alerts presented to the flight crew, (for example, light, aural annunciation, engine-indication-and-crew-alerting system (EICAS) message, master caution) must provide the flight crew with the information needed to identify the non-normal operational or aeroplane system condition and determine the corrective action, if any (CS 25.1322 (a)(1)). Appropriate flight crew corrective actions are normally defined by aeroplane procedures (for example, in checklists) and are part of a flight crew training curriculum or considered basic airmanship.

(3) Implement a consistent flight crew alerting philosophy as described in paragraph 5.b of this AMC.

(4) Include the appropriate combination of alerting system presentation elements, which typically include:

- (a) Master visual alerts
- (b) Visual alert information (includes Failure flag indications)
- (c) Master aural alerts
- (d) Voice information
- (e) Unique tones (unique sounds)
- (f) Tactile or haptic information

(5) Use logic-based integrated alerting systems to ensure that alerting system elements are synchronised and provide the proper alert presentation format for each urgency level. For example, the onset of the Master visual alert should normally occur simultaneously with the onset of the Master aural alert.

(6) Present the alerts according to the urgency and prioritisation philosophy outlined in paragraph 5.b and described in detail in paragraph 8.a of this AMC.

(7) Visual alerts must conform to the colour convention of CS 25.1322(e). Paragraph 11 of this AMC provides guidance on the colour convention.

CS-25 BOOK 2

(8) If using aural alerts with multiple meanings, a corresponding visual, tactile, or haptic alert should be provided to resolve any potential uncertainty relating to the aural alert and clearly identify the specific alert condition.

6. Alert Functional Elements. The functional elements used in the alerting and information functions for Warning and Caution alerts must provide timely attention-getting cues, resulting in immediate flight crew awareness, through at least two different senses (CS 25.1322(c)(2)). Functional elements used for Advisory alerts do not require immediate flight crew awareness and are normally provided through a single sense.

a. Warning Alerts. Several alert functional element combinations are used to comply with CS 25.1322(c)(2) (two-senses requirement). The typical alert-element combinations for Warning alerts (not including Time-critical warning alerts) are shown below.

(1) Master visual alert, Visual alert information, and Master aural alert.

(2) Master visual alert, Visual alert information, and Voice information or Unique tone.

Note 1: Voice information may be preceded by a Master aural alert.

Note 2: A tactile alert may be combined with a visual or aural alert to meet the CS 25.1322 requirement for a combination of two senses.

b. Time-Critical Warning Alerts. Some Warnings may be so time-critical for the safe operation of the aeroplane that general alerts such as a Master visual alert and a Master aural alert may not provide the flight crew with immediate awareness of the specific alerting condition that is commensurate with the level of urgency of flight crew response necessary. In such cases, Warning elements dedicated to specific alerting conditions should be provided that give the flight crew immediate awareness without further reference to other flight deck indications. Examples of such Time-critical warnings include reactive windshear and ground proximity. The alerting elements for Time-critical warnings should include:

- Unique Voice information or Unique tone, or both, for each alerting condition, and
- Unique Visual alert information in each pilot's primary field of view for each alerting condition.

Note: A unique tactile alert sensed by each pilot can also meet the CS 25.1322(c)(2) requirement for one of the two senses.

c. Master Visual and Aural Alerts. A Master visual alert and a Master aural alert may not be warranted if other visual and aural means provide more timely attention-getting characteristics. If a Master visual alert and/or a Master aural alert are used, they should aid in the overall attention-getting characteristics and the desired flight crew response and not distract the flight crew from the time-critical condition. For example, unique Visual alert information presented in each pilot's primary field of view is acceptable in place of a Master visual alert if it provides immediate awareness and sufficient attention-getting characteristics. However, an aural alert, such as an aural command to "pull up," or another sensory cue, would still be required to meet CS 25.1322(c)(2).

d. Caution Alerts

(1) The alert elements used for Caution are typically identical to those used for Warnings, as both require immediate flight crew awareness.

(2) Some Caution alerts are related to conditions that are precursors to potential Time-critical warning conditions. In these cases, the alerting system elements associated with the Caution should be consistent with the elements for related Time-critical warnings (described in paragraph 6.b of this AMC). For example, reactive windshear warnings, ground-proximity warnings, and Caution alerts can develop into Time-critical warning alerts.

CS-25 BOOK 2**e. Advisory Alerts**

(1) The alerting and informing functional elements for advisories must meet the applicable requirements of CS 25.1322 and should include Visual alert information. Advisory information should be located in an area where the flight crew is expected to periodically scan for information.

(2) Advisory information does not require immediate flight crew awareness. Therefore, it does not require alerting that uses a combination of two senses. In addition, a Master visual alert or Master aural alert is not typically used since immediate flight crew awareness is not needed.

(3) Aural or visual information such as maintenance messages, information messages, and other status messages associated with conditions that do not require an alert may be presented to the flight crew, but the presentation of this information should not interfere with the alerting function or its use.

7. Alerting System Reliability and Integrity

a. The alerting system, considered alone and in relation to other systems, should meet the safety objectives of the relevant system safety standards (for example, CS 25.901(b)(2), CS 25.901(c), and CS 25.1309(b)). The reliability and integrity of the alerting system should be commensurate with the safety objectives associated with the system function, or aeroplane function, for which the alert is provided.

b. When applying the CS 25.1309(b) system safety analysis process to a particular system or function that has an associated flight crew alert, assess both the failure of the system or function and a failure of its associated alert (CS 25.1309(d)(4)). This should include assessing the effect of a single (common or cascading mode) failure that could cause the failure of a system function and the failure of any associated alerting function. A failure is defined as: "An occurrence that affects the operation of a component, part, or element such that it can no longer function as intended. This includes both loss of function and malfunction." Therefore, in conducting the safety analysis, both loss of functions and malfunctions should be considered.

c. Since the flight crew alerting function is often integrated with, or is common to, other systems, the impact of a failure or error in the alerting system must be assessed separately and in relation to other systems as required by CS 25.1309(b). The cascading effects of a failure or error in the alerting function, and in the interfacing system, should be analysed. Give special consideration to avoid alerting that, through misinterpretation, could increase the hazard to the aeroplane (CS 25.1309(c)). For example, there should not be a foreseeable way that a fire warning for one engine could be misinterpreted as a fire on a different engine.

d. Assess the reliability of the alerting system by evaluating the reduction in the safety margin if the alerting system fails. The evaluation should address:

- (1) Loss of the complete alerting function.
- (2) A malfunction.
- (3) Loss or malfunction of one alert in combination with the system condition for which the alert is necessary.

e. The integrity of the alerting system should be examined because it affects the flight crew's trust and response when assessing an alert. Since the individual assessment of a False or Nuisance alert for a given system may lead to a specific consequence, the impact of frequent False or Nuisance alerts increases the flight crew's workload, reduces the flight crew's confidence in the alerting system, and affects their reaction in case of a real alert. For example, if False or Nuisance alerts are presented the flight crew may ignore a real alert when it is presented.

8. Managing Alerts. Prioritise alerts so that the most urgent alert is presented first to the flight crew.

a. Rules and General Guidelines

- (1) All flight deck alerts must be prioritised into Warning, Caution, and Advisory categories (CS 25.1322(b)).
- (2) To meet their intended function(s), alerts must be prioritised based upon urgency of flight crew awareness and urgency of flight crew response (§ 25.1301(a)). Normally, this means Time-critical warnings are first, other Warnings are second, Cautions are third, and Advisories are last (CS 25.1322(b)).

CS-25 BOOK 2

- (3) Depending on the phase of flight, there may be a need to re-categorise certain alerts from a lower urgency level to a higher urgency level. Furthermore, prioritisation within alert categories may be necessary if the presentation of multiple alerts simultaneously would cause flight crew confusion, or the sequencing of flight crew response is important. For example, when near threatening terrain, Time-critical warnings must be prioritised before other Warnings within the Warning alert category (CS 25.1322(c)(1)). JAA TGL-12 (TAWS), also identifies situations where prioritisation within alert categories is necessary.
- (4) The prioritisation scheme within each alert category, as well as the rationale, should be documented and evaluated, by following the guidance in paragraph 13, *The Showing of Compliance*, of this AMC.
- (5) Documentation should include the results of analyses and tests that show that any delayed or inhibited alerts do not adversely impact safety.

b. Multiple Aural Alerts

(1) Aural alerts should be prioritised so that only one aural alert is presented at a time. If more than one aural alert needs to be presented at a time, each alert must be clearly distinguishable and intelligible by the flight crew (CS 25.1322(a)(2)).

(2) When aural alerts are provided, an active aural alert should finish before another aural alert begins. However, active aural alerts must be interrupted by alerts from higher urgency levels if the delay to annunciate the higher-priority alert impacts the timely response of the flight crew (CS 25.1301(a)). If the condition that triggered the interrupted alert is still active, that alert may be repeated once the higher-urgency alert is completed. If more than one aural alert requires immediate awareness and the interrupted alert(s) affects the safe operation of the aeroplane, an effective alternative means of presenting the alert to the flight crew must be provided to meet the requirements of CS 25.1322(a)(1) and (a)(2).

c. Multiple Visual Alerts

(1) Since two or more visual alerts can occur at the same time, applicants must show that each alert and its relative priority are readily and easily detectable and intelligible by the flight crew (CS 25.1322(a)(2)).

(2) When multiple alerts exist in a specific category (for example, multiple Warning alerts or multiple Caution alerts), a means for the flight crew to determine the most recent or most urgent alert must be provided (CS 25.1322(c)(1)). For example, the most recent or highest priority alert may be listed at the top of its own category. If the alert is time-critical and shares a dedicated display region it must have the highest alerting priority to satisfy its intended function (CS 25.1301(a)).

(3) Displays must either conform to the alert colour convention or, in the case of certain monochromatic displays not capable of conforming to the colour conventions, use other visual coding techniques per CS 25.1322(e). This is necessary so the flight crew can easily distinguish the alert urgency under all foreseeable operating conditions, including conditions where multiple alerts are provided (CS 25.1322(a)(2)).

d. Alert Inhibits

(1) Alert inhibit functions must be designed to prevent the presentation of an alert that is inappropriate or unnecessary for a particular phase of operation (CS 25.1322(d)(1)). Alert inhibits can also be used to manage the prioritisation of multiple alert conditions. Inhibiting an alert is not the same as clearing or suppressing an alert that is already displayed.

(2) Alert inhibits should be used in the following conditions:

- (a) When an alert could cause a hazard if the flight crew was distracted by or responded to the alert.
- (b) When the alert provides unnecessary information or awareness of aeroplane conditions.
- (c) When a number of consequential alerts may be combined into a single higher-level alert.

(3) Alerts can be inhibited automatically by the alerting system or manually by the flight crew.

(4) For operational conditions not recognised by the alerting system, provide a means for the flight crew to inhibit a potential alert that would be expected to occur as the result of the specific operation (for example, preventing a landing configuration alert for a different landing flap setting). For as long as the inhibit exists, there should be a clear and unmistakable indication that the flight crew manually inhibited that alert.

CS-25 BOOK 2

9. Clearing and Recalling Alert Messages. Clearing Alert messages from the current Warning, Caution, and Advisory display allows the flight crew to remove a potential source of distraction and makes it easier for the flight crew to detect subsequent alerts.

a. The following guidance should be applied for clearing and recalling or storing Alert messages:

(1) If a message can be cleared and the condition still exists, the system should provide the ability to recall any cleared Alert message that has been acknowledged.

(2) Either through a positive indication on the display or through normal flight crew procedures, a means should be provided to identify if Alert messages are stored (or otherwise not in view).

b. The Alert message must be removed from the display when the condition no longer exists (CS 25.1322(a)(3)).

10. Interface or Integration with Other Systems (Checklist, Synoptics, Switches, Discrete lamps).

a. The colour of all visual alerting annunciations and indications must conform to the colour convention in CS 25.1322(e). Use consistent wording, position, colour and other shared attributes (for example, graphic coding) for all alerting annunciations and indications.

b. Information displayed in the flight deck associated with the alert condition must facilitate the flight crew's ability to identify the alert (CS 25.1322(a)(1)(i)) and determine the appropriate actions, if any (CS 25.1322(1)(ii)).

c. Information conveyed by the alerting system should lead the flight crew to the correct checklist procedure to facilitate the appropriate flight crew action. Some flight deck alerting systems automatically display the correct checklist procedure or synoptic display when an alert is presented. Some alerts do not display an associated checklist procedure because the correct flight crew action is covered by training or basic airmanship (for example, autopilot disconnect and Time-critical warnings). In all cases, the aeroplane or system certification test programme should verify that the alerts provide or direct the flight crew to the correct procedures.

d. If multiple checklists can be displayed (for example, multiple checklists associated with multiple alerts), the flight crew should be able to readily and easily choose the appropriate checklist and action for each alert. For example, the flight crew must be able to easily distinguish which checklist has priority regarding what the flight crew needs to do first to determine the appropriate actions, if any (CS 25.1322(a)(1)(ii)).

11. Colour Standardisation. The objective of colour standardisation is to maintain the effectiveness of visual alerts by enabling the flight crew to readily distinguish between alert categories.

a. Visual alert indications must conform to the following colour convention (CS 25.1322(e)):

(1) Red for Warning alert indications.

(2) Amber or yellow for Caution alert indications.

(3) Any colour except red or green for Advisory alert indications.

Note: Green is usually used to indicate "normal" conditions; therefore, it is not an appropriate colour for an Advisory alert. An Advisory alert is used to indicate a "non-normal" condition.

b. A separate and distinct colour should be used to distinguish between Caution and Advisory alerts. If a distinctive colour is not used to distinguish between Caution and Advisory alerts, other distinctive coding techniques must be used to meet the general requirements of CS 25.1322(a)(2) so that the flight crew can readily and easily detect the difference between Caution and Advisory alerts.

c. The colour displayed for the Warning Master visual alert must be the same colour used for the associated Warning alerts and the colour displayed for the Caution Master visual alert must be the same colour used for the associated Caution alerts (CS 25.1322(e)(1)).

d. The colours red, amber, and yellow must be used consistently (CS 25.1322 (e)(1)). This includes alert colour consistency among propulsion, flight, navigation, and other displays and indications used on the flight deck.

CS-25 BOOK 2

e. For monochromatic displays that are not capable of conforming to the colour convention required by CS 25.1322(e)(2), use display coding techniques (for example, shape, size, and position) so the flight crew can clearly distinguish between Warning, Caution, and Advisory alerts. This requirement is similar to using selected colour coding on multicolour displays that allows the flight crew to easily distinguish between Warning, Caution, and Advisory alerts (CS 25.1322(e)). These coding techniques must also meet the general alerting requirement in CS 25.1322(a)(2) so the alerts are readily and easily detectable and intelligible by the flight crew under all foreseeable operating conditions, including conditions where multiple alerts are provided. The wide use of monochromatic displays on the flight deck with flight crew alerting is normally discouraged, except when an increased safety benefit is demonstrated, for example, a HUD used as a primary flight display.

f. CS 25.1322(f) requires that the use of the colours red, amber and yellow on the flight deck for functions other than flight crew alerting must be limited and must not adversely affect flight crew alerting. Consistent use and standardisation for red, amber, and yellow is required to retain the effectiveness of flight crew alerts. It is important that the flight crew does not become desensitised to the meaning and importance of colour coding for alerts, which could increase the flight crew's processing time, add to their workload, and increase the potential for flight crew confusion or errors.

g. Where red, amber and yellow are proposed for non-flight crew alerting functions, substantiate that there is an operational need to use these colours to provide safety related awareness information. Examples of acceptable uses of red, amber, or yellow for non-alerting functions include:

- Weather radar display (for areas of severe/hazardous weather conditions that should be avoided);
- TAWS terrain display (for local terrain relative to the current altitude).

12. Minimising the Effects of False and Nuisance Alerts. As much as possible, the alerting functions or system should be designed to avoid False alerts and Nuisance alerts, while providing reliable alerts to the flight crew when needed. The effects of Nuisance and False alerts distract the flight crew, increase their potential for errors, and increase their workload. CS 25.1322(d) requires that an alert function be designed to minimise the effects of False and Nuisance alerts. Specifically, a flight crew alerting system must be designed to:

a. Prevent the presentation of an alert when it is inappropriate or unnecessary.

b. Provide a means to suppress an attention-getting component of an alert caused by a failure of the alerting system that interferes with the flight crew's ability to safely operate the aeroplane. This means must not be readily available to the flight crew so that it can be operated inadvertently or by habitual, reflexive action.

c. Permit each occurrence of attention-getting cues for Warning and Caution alerts to be acknowledged and then suppressed, unless the alert is required to be continuous (CS 25.1322(c)). Reaching forward and pressing a switch light is a common, acceptable means of suppressing the attention-getting components of an aural alert, a flashing master warning, or a caution light.

d. Remove the presentation of the alert when the condition no longer exists (CS 25.1322(a)(3)).

e. Pulling circuit breakers is not an acceptable primary means for the flight crew to suppress a False alert.

13. The Showing Of Compliance

a. Certification evaluations may be different from project to project because of the complexity, degree of integration, and specifics of the proposed alerting function or system. We recommend developing a plan to establish how compliance with the rules will be shown and to document how issues will be identified, tracked, and resolved throughout the life cycle of the type investigation programme. We also recommend including the Agency early in the developmental process to discuss the acceptability of any proposed flight deck design and alerting philosophy and the conditions that should be alerted to the flight crew. Typically, the certification programme is used for this purpose. For addressing human factors and pilot interface issues, in addition to the guidance in this AMC, compliance with CS 25.1302 and associated AMC must be shown.

b. When following the guidance in this AMC, document any divergence from this AMC, and provide the rationale for decisions regarding novel or unusual features used in the design of the alerting system. This will

CS-25 BOOK 2

facilitate the certification evaluation because it will enable the Agency to focus on areas where the proposed system diverges from the AMC and has new or novel features.

c. In accordance with the certification programme, provide an evaluation of the alerting system. In this case an evaluation is an assessment of the alerting system conducted by an applicant, who then provides a report of the results to the Agency. Evaluations are different from tests because the representation of the alerting system does not necessarily conform to the final documentation and the Agency may or may not be present. Evaluations by the applicant may contribute to a finding of compliance, but they do not constitute a complete showing of compliance by themselves.

(1) The evaluation should include assessments of acceptable performance of the intended functions, including the human-machine interface, and acceptability of alerting system failure scenarios. The scenarios should reflect the expected operational use of the system. Specific aspects that should be included during the evaluation(s) are:

- (a) Visual, aural, and tactile/haptic aspects of the alert(s).
- (b) Effectiveness of meeting intended function from the human/machine integration, including workload, the potential for flight crew errors, and confusion.
- (c) Normal and emergency inhibition and suppression logic and accessibility of related controls.
- (d) Proper integration with other systems, including labelling. This may require testing each particular alert and verifying that the appropriate procedures are provided.
- (e) Acceptability of operation during failure modes per CS 25.1309.
- (f) Compatibility with other displays and controls, including multiple Warnings.
- (g) Ensuring that the alerting system by itself does not issue Nuisance alerts or interfere with other systems.
- (h) Inhibiting alerts for specific phases of flight (for example, take-off and landing) and for specific aeroplane configurations (for example, abnormal flaps and gear).

(2) The validation of the performance and integrity aspects will typically be accomplished by a combination of the following methods:

- Analysis
- Laboratory test
- Simulation
- Flight test

(3) Evaluate the alerts in isolation and combination throughout the appropriate phases of flight and manoeuvres, as well as representative environmental and operational conditions. The alerting function as a whole needs to be evaluated in a representative flight deck environment. Representative simulators can be used to accomplish the evaluation of some human factors and workload studies. The level and fidelity of the simulator should be commensurate with the certification credit being sought. The simulator should represent the flight deck configuration and be validated by the Agency. The assessment of the alerts may be conducted in a laboratory, simulator, or the actual aeroplane. Certain elements of the alerting system may have to be validated in the actual aeroplane. The evaluation should be conducted by a representative population of pilots with various backgrounds and expertise.

(4) Evaluations should also verify the chromaticity (red looks red and amber looks amber) and discriminability (colours can be distinguished from each other) of the colours being used, under the expected lighting levels. Evaluations may also be useful to verify the discriminability of graphic coding used on monochromatic displays. These evaluations can be affected by the specific display technology being used, so a final evaluation with production representative hardware is sometimes needed.

CS-25 BOOK 2**14. Integrating Flight crew Alerting System Elements into the Existing Fleet****a. General**

(1) This material provides recommendations to applicants on how to retrofit existing aeroplanes so they comply with CS 25.1322 without major modifications to the current flight crew alerting system.

(2) System upgrades to existing aeroplanes should be compatible with the original aeroplane's flight crew alerting philosophy. The existing alerting system might not be able to facilitate the integration of additional systems and associated alerts due to limitations in the system inputs, incompatible technologies between the aeroplane and the system being added, or economic considerations.

(a) We discourage incorporating a new additional master visual function into the flight crew alerting system. If it is not feasible to include additional systems and associated alerts in the existing master visual function, an additional master visual function may be installed, provided that it does not delay the flight crew's response time for recognising and responding to an alert.

(b) Where possible, new alerts should be integrated into the existing flight crew alerting system. If these alerts cannot be integrated, individual annunciators or an additional alerting display system may be added.

(c) Not all alerts associated with failure flags need to be integrated into the central alerting system. However, for those alerts requiring immediate flight crew awareness, the alert needs to meet the attention-getting requirements of CS 25.1322(c)(2) as well as the other requirements in CS 25.1322. Thus, a Master visual alert or Master aural alert may not be initiated, but an attention-getting aural or tactile indication must still accompany an attention-getting visual failure flag to meet the attention-getting requirement of CS 25.1322(a)(1), which requires attention-getting cues through at least two different senses for Warning and Caution alerts.

b. Visual Alerts. Following the guidance in paragraphs 5 and 6 of this AMC, determine whether or not the added system features will require activation of an aeroplane Master visual alert.

c. Aural Alerts

(1) Using the guidance in this AMC, determine if an added system will require activating an aural alert.

(2) The new aural alert should be integrated into the existing aural alerting system and functions. If this is not possible, a separate aural alerting system may be installed, provided that a prioritisation scheme between existing aural alerts and the new aural alerts is developed so that each alert is recognised and can be acted upon in the time frame appropriate for the alerting situation. This may require a demonstration of any likely combination of simultaneous alerts. After the new and existing alerts have been merged, follow the guidance in this AMC for determining how to prioritise the alerts.

d. Tactile Alerts

(1) Using the guidance in this AMC, determine if an added system will require activating a tactile alert.

(2) If possible, incorporate the new tactile alert into the existing alerting system. If this is not possible, a separate tactile alerting system may be installed, provided that the following elements are included:

(a) A prioritisation scheme between existing tactile alerts and the new tactile alerts should be developed so that each alert is recognised and can be acted upon in the time frame appropriate for the alerting situation. After the new and existing alerts have been merged, follow the guidance in this AMC for determining how to prioritise the alerts.

(b) A means to ensure that an individual alert can be understood and acted upon. This may require a demonstration of any likely combination of simultaneous alerts.

15. Alerts for Head-Up Displays (HUDs)

a. HUDs have visual characteristics that merit special considerations for alerting. First, most HUDs are single-colour (monochromatic) displays and are not capable of using different colours, such as red, amber and yellow to signify alert information. Second, HUDs are located in the pilot's forward field of view, separated from the instrument panel, and focused at optical infinity. As a result, many visual indications on the instrument panel are not visible to the pilot while viewing the HUD, and the timely detection of visual alerts displayed on the instrument panel may not be possible. Therefore, even though HUDs are not intended to be classified as integrated caution and warning

CS-25 BOOK 2

systems, they do need to display certain alerts, such as Time-critical warnings, to perform their role as a primary flight display (PFD). Monochromatic HUDs are not required to use red and amber to signify Warning and Caution alerts, but do need to provide the equivalent alerting functionality (for example, attention-getting, clearly understandable, not confusing) as current head-down display (HDD) PFDs (CS 25.1322(e)).

b. Alerting functions presented in the HUD should not adversely affect the flight crew's use of the HUD by obstructing the flight crew's outside view through the HUD.

c. Time-critical warnings that are displayed on the HDD PFD also need to be presented on the HUD to ensure equivalent timely pilot awareness and response (for example, ACAS II, windshear, and ground-proximity warning annunciations) (CS 25.1301(a)). Otherwise, the physical separation of the HUD and head-down fields of view and the difference in accommodation (that is, focal distance) would hinder timely pilot awareness of visual alerts displayed head-down.

d. While a pilot is using the HUD, if the master alerting indications are not visible or attention-getting, the HUD needs to display alerts that provide the pilot with timely notification of Caution conditions, Warning conditions, or both.

e. CS 25.1322(e) requires visual alert indications on monochromatic displays to use coding techniques so the flight crew can clearly distinguish between Warning, Caution, and Advisory alerts. Since monochromatic HUDs are incapable of using colours to distinguish among Warning, Caution, and Advisory information, other visual display features (coding techniques) are necessary, such as shape, location, texture, along with the appropriate use of attention-getting properties such as flashing, outline boxes, brightness, and size. The use of these visual display features should be consistent within the set of flight deck displays, so that the intended meaning is clearly and unmistakably conveyed. For example, Time-critical warnings might be boldly displayed in a particular central location on the HUD, while less critical alerts, if needed, would be displayed in a different manner.

f. For multi-colour HUDs, the display of Warning and Caution alerts should be consistent with HDD PFD presentations.

g. Pilot flying and pilot monitoring roles should account for the use of HUDs to ensure timely awareness of certain alerts, especially because of field of view factors.

(1) For single-HUD installations, when the pilot flying is using the HUD, the other pilot should be responsible for monitoring the head-down instruments and alerting systems for system failures, modes, and functions that are not displayed on the HUDs.

(2) For dual-HUD installations there needs to be greater reliance on master alerting indications that are capable of directing each pilot's attention to non-HUD alerts when both HUDs are in use. If master alerting indications do not provide sufficient attention to each pilot while using the HUD, then each HUD should provide annunciations that direct the pilot's attention to HDDs. The types of information that should trigger the HUD master alerting display are any Cautions or Warnings not already duplicated on the HUD from the HDD.

CS-25 BOOK 2

Appendix 1

Examples for Including Visual System Elements in an Alerting System

This appendix includes detailed guidance and examples to help applicants with a means of compliance and design for visual system elements in an alerting system. They are based on the Agency's experience with existing and proposed alerting systems that comply with CS 25.1322. The extent to which this guidance and these examples are applied to a specific type investigation programme will vary, depending on the types of alerts presented, and the level of integration associated with an alerting system. The visual elements of an alerting system typically include a Master visual alert, Visual alert information, and Time-critical warning visual information.

1. Master Visual

a. Location. Master visual alerts for Warnings (master warning) and Cautions (master caution) should be located in each pilot's primary field of view. Appendix 5 of this AC includes a definition of pilot primary field of view.

b. Onset/Duration/Cancellation

(1) The onset of a Master visual alert should occur:

- (a) in a timeframe appropriate for the alerting condition and the desired response,
- (b) simultaneously with the onset of its related Master aural alert or Unique tone, and its related Visual alert information. Any delays between the onset of the Master visual alert and its related Master aural alert or Unique tone, and its Visual alert information should not cause flight crew distraction or confusion,
- (c) simultaneously at each pilot's station (Warnings, Cautions).

(2) The Master visual alert should remain on until it is cancelled either manually by the flight crew, or automatically when the alerting condition no longer exists.

(3) After the Master visual alert is cancelled the alerting mechanisms should automatically reset to annunciate any subsequent fault condition.

c. Attention-Getting Visual Characteristics. In addition to colour, steady state or flashing Master visual alerts may be used, as long as the method employed provides positive attention-getting characteristics. If flashing is used, all Master visual alerts should be synchronised to avoid any unnecessary distraction. AMC 25-11, *Electronic Flight Deck Displays*, provides additional guidance for using flashing alerts.

d. Brightness

(1) Master visual alerts should be bright enough to attract the attention of the flight crew in all ambient light conditions.

(2) Manual dimming should not be provided unless the minimum setting retains adequate attention-getting qualities when flying under all ambient light conditions.

e. Display and Indicator Size and Character Dimensions

(1) Design all character types, sizes, fonts, and display backgrounds so that the alerts are legible and understandable at each pilot's station. These elements should provide suitable attention-getting characteristics.

(2) We recommend that the alerts subtend at least 1 degree of visual angle.

f. Colour

(1) Standard colour conventions must be followed for the Master visual alerts (CS 25.1322 (d)):

- Red for Warning
- Amber or yellow for Caution

CS-25 BOOK 2

(2) Master visual alerts for conditions other than Warnings or Cautions (for example, Air Traffic Control (ATC) Datalink alerts) must meet the requirements in CS 25.1322(f) and follow the guidance in this AMC. We recommend using a colour other than red, amber, or yellow.

g. Test function. To comply with the safety requirements of CS 25.1309, include provisions to test/verify the operability of the Master visual alerts.

2. Visual Information**a. Quantity and Location of Displays**

(1) To determine the quantity of displays that provide Warning, Caution, and Advisory alerts, take into account the combination of ergonomic, operational, and reliability criteria, as well as any physical space constraints in the flight deck.

(2) The visual alert information should be located so that both pilots are able to readily identify the alert condition.

(3) All Warning and Caution visual information linked to a Master visual alert should be grouped together on a single dedicated display area. There may be a separate area for each pilot. Advisory alerts should be presented on the same display area as Warning and Caution information. The intent is to provide an intuitive and consistent location for the display of information.

b. Format and Content

(1) Use a consistent philosophy for the format and content of the visual information to clearly indicate both the alert meaning and condition. The objectives of the corresponding text message format and content are to direct the flight crew to the correct checklist procedure, and to minimise the risk of flight crew error.

(2) The alerting philosophy should describe the format and content for visual information. Use a consistent format and content that includes the following three elements:

- The general heading of the alert (for example, HYD, FUEL)
- The specific subsystem or location (for example, L-R, 1-2)
- The nature of the condition (for example, FAIL, HOT, LOW)

(3) For any given message, the entire text should fit within the available space of a single page. This encourages short and concise messages. Additional lines may be used provided the Alert message is understandable.

(4) If alerts are presented on a limited display area, use an overflow indication to inform the flight crew that additional alerts may be called up for review. Use indications to show the number and urgency levels of the alerts stored in memory.

(5) A "Collector message" can be used to resolve problems of insufficient display space, prioritisation of multiple alert conditions, alert information overload, and display clutter. Use Collector messages when the procedure or action is different for the multiple fault condition than the procedure or action for the individual messages being collected. For example, non-normal procedures for loss of a single hydraulic system are different than non-normal procedures for loss of two hydraulic systems. The messages that are "collected" (for example, loss of each individual hydraulic system) should be inhibited so the flight crew will only respond to the correct non-normal procedure pertaining to the loss of more than one hydraulic system.

(6) An alphanumeric font should be of a sufficient thickness and size to be readable when the flight crew are seated at the normal viewing distance from the screen.

Note 1: Minimum character height of 1/200 of viewing distance is acceptable (for example, a viewing distance of 36 inches requires a 0.18 inch character height on the screen) (See DOD-CM-400-18-05).

CS-25 BOOK 2

Note 2: Arial and sans serif fonts are acceptable for visual alert text. The size of numbers and letters required to achieve acceptable readability depends on the display technology used. Stroke width between 10% and 15% of character height appears to be best for word recognition on text displays. Extensions of descending letters and ascending letters should be about 40% of letter height.

Note 3: Different fonts can be used to differentiate between new and previously acknowledged Visual alert information.

c. Colour. The presentation of Visual alert information must use the following standard colour conventions (§ 25.1322(e)):

- Red for Warning alerts
- Amber or yellow for Caution alerts
- Any colour except red, amber, yellow, or green for Advisory alerts

(1) Red must be used for indicating non-normal operational or non-normal aircraft system conditions that require immediate flight crew awareness and an immediate action or decision.

(2) Amber or yellow must be used for indicating non-normal operational or non-normal aircraft system conditions that require immediate flight crew awareness and less urgent subsequent flight crew response (compared to a Warning alert).

(3) Advisories may use any colour except red or green for indicating non-normal operational or non-normal system conditions that require flight crew awareness and may require subsequent flight crew response.

Note: Use of red, amber, or yellow not related to Caution and Warning alerting functions must be limited to prevent diminishing the attention-getting characteristics of true Warnings and Cautions (CS 25.1322(f)).

d. Luminance

(1) The Visual alert information should be bright enough so that both pilots are able to readily identify the alert condition in all ambient light conditions.

(2) The luminance of the Visual alert information display may be adjusted automatically as ambient lighting conditions change inside the flight deck. A manual override control may be provided to enable the pilots to adjust display luminance.

3. Time-Critical Warning VISUAL INFORMATION

a. Location. Time-critical warning visual information should appear in each pilot's primary field of view. Appendix 5 of this AMC includes a definition for pilot primary field of view.

Note: The primary flight display (PFD) is used as a practical and preferred display for displaying the Time-critical warning alerts since the pilot constantly scans the PFD. Integrating time-critical information into the PFD depends on the exact nature of the Warning. For example, a dedicated location on the PFD may be used both as an attention-getting function and a visual information display by displaying alerts such as "WINDSHEAR", "SINK RATE", "PULL UP", "TERRAIN AHEAD", and "CLIMB, CLIMB". In addition, graphic displays of target pitch attitudes for Airborne Alert and Collision Avoidance System (ACAS) II Resolution Advisories and Terrain may also be included.

b. Format

(1) The corresponding visual and aural alert information should be consistent.

(2) Time-critical warning visual information may be presented as a text message (for example, "WINDSHEAR"). Certain Time-critical warning information, including guidance, may be presented graphically (for example, graphics representing an ACAS II Resolution Advisory).

CS-25 BOOK 2

(3) Text messages and graphics for Time-critical warning information must be red (CS 25.1322(e)(1)(i)). When displaying Time-critical warnings on monochromatic displays, other graphic coding means must be used (CS 25.1322(e)).

(4) The information must be removed when corrective actions (e.g. sink rate has been arrested, aeroplane climbed above terrain, etc.) have been taken, and the alerting condition no longer exists (CS 25.1322(a)(3)).

c. Size. To immediately attract the attention of the flight crew and to modify their habit pattern for responding to Warnings that are not time-critical. We recommend that a display for Time-critical warnings subtend at least 2 square degrees of visual angle.

4. Failure Flags. Failure flags indicate failures of displayed parameters or their data source. Failure flags are typically associated with only single instrument displays. The same colours used for displaying flight crew alerts are used for displaying failure flags. In the integrated environment of the flight deck it is appropriate to display instrument failure flags in a colour consistent with the alerting system, as part of the alerting function (see paragraph 5b in the body of this AMC).

CS-25 BOOK 2**Appendix 2****Examples for Including Aural System Elements
in an Alerting System****1. General**

a. Detailed guidance and examples are included in this appendix to help applicants with a means of compliance, requirements, and detailed design of an alerting system. They are based on the Agency's experience with existing and proposed alerting systems that should comply with CS 25.1322. The extent to which this guidance and these examples are applied to a specific type investigation programme will vary, depending on the types of alerts that are presented, and the level of integration associated with an alerting system. The aural elements of an alerting system include:

- Unique tones, including Master aural alerts
- Unique Voice information (callouts)

b. Each sound should differ from other sounds in more than one dimension (frequency, modulation, sequence, intensity) so that each one is easily distinguishable from the others.

2. Master Aural Alert and Unique Tones**a. Frequency**

- (1) Use frequencies between 200 and 4500 Hertz for aural signals.
- (2) Aural signals composed of at least two different frequencies, or aural signals composed of only one frequency that contains different characteristics (spacing), are acceptable.
- (3) To minimise masking, use frequencies different from those that dominate the ambient background noise.

b. Intensity

(1) The aural alerting must be audible to the flight crew in the worst-case (ambient noise) flight conditions whether or not the flight crew are wearing headsets (taking into account their noise attenuation and noise cancelling characteristics) (CS 25.1322(a)(2)). The aural alerting should not be so loud and intrusive that it interferes with the flight crew taking the required action.

(2) The minimum volume achievable by any adjustment (manual or automatic) should be adequate to ensure it can be heard by the flight crew if the level of flight deck noise subsequently increases.

(3) We recommend automatic volume control to maintain an acceptable signal-to-noise ratio.

c. Number of Sounds

(1) Limit the number of different Master aural alerts and unique tones, based on the ability of the flight crew to readily obtain information from each alert and tone. While different studies have resulted in different answers, in general these studies conclude that the number of unique tones should be less than 10.

(2) Provide one unique tone for master warning and one unique tone for master caution alerts.

(3) We do not recommend a Master aural alert for advisories because immediate flight crew attention is not needed for an Advisory alert.

CS-25 BOOK 2**d. Onset/Duration**

(1) The onset of the Master aural alert or unique tone should occur in a timeframe appropriate for the alerting condition and the desired response. Any delays between the onset of the Master aural alert or unique tone and its related visual alert should not cause flight crew distraction or confusion.

(2) We recommend ramping the onset and offset of any aural alert or unique tone to avoid startling the flight crew.

(a) A duration for onsets and offsets of 20-30 milliseconds is acceptable.

(b) An onset level of 20-30 decibels above the ambient noise level is acceptable.

(3) If more than one source of the Master aural alert or unique tone is provided, the Master aural alert or unique tone for the same condition should occur simultaneously at each pilot's station. Any timing differences should not be distracting nor should they interfere with identifying the aural alert or unique tone.

(4) Signal duration of the Master aural alert and unique tones should vary, depending on the alert urgency level and the type of response desired.

(5) Unique tones associated with Time-critical warnings and Cautions should be repeated and non-cancelable until the alerting condition no longer exists (for example, stall warning), unless it interferes with the flight crew's ability to respond to the alerting condition.

(6) Unique tones associated with Warnings and Cautions should be repeated and non-cancelable if the flight crew needs continuous awareness that the condition still exists, to support them in taking corrective action. The aural warning requirements listed in CS 25.1303(c)(1) and CS 25.729(e) must be followed.

(7) Unique tones associated with Warnings and Cautions should be repeated and cancelable by the flight crew if the flight crew does not need a continuous aural indication that the condition still exists (for example, Fire Bell or Abnormal Autopilot Disconnect) and if a positive acknowledgement of the alert condition is required.

(8) Unique tones associated with Warnings and Cautions should not be repeated if the flight crew does not need continuous aural indication that the condition still exists.

(9) Unique tones that are not associated with a Warning or a Caution (for example, certain advisories, altitude alert, or selective calling (SELCAL)) should be limited in duration.

(10) Master aural alerts for Warnings and Cautions should be repeated and non-cancelable if the flight crew needs continuous awareness that the condition still exists, to support the flight crew in taking corrective action (CS 25.729(e)(2)). The requirements for aural Warnings in CS 25.729(e) must be followed.

(11) Master aural alerts for Warnings and Cautions should be repeated until the flight crew acknowledges the warning condition or the warning condition no longer exists.

e. Cancellation

(1) For Caution alerts, if the flight crew does not need continuous aural indication that the condition still exists, the Master aural alert and unique tone should continue through one presentation and then be automatically cancelled.

(2) If there is any tone associated with an Advisory alert, it should be presented once and then be automatically cancelled.

(3) Provide a means to reactivate cancelled aural alerts (for example, the aural alert associated with a gear override).

(4) When silenced, the aural alerts should be automatically re-armed. However, if there is a clear and unmistakable annunciation in the pilot's forward field of view that the aural alerts have been silenced, manual re-arming is acceptable.

CS-25 BOOK 2

3. Voice Information. For a Time-critical warning, use Voice information to indicate conditions that demand immediate flight crew awareness of a specific condition without further reference to other indications in the flight deck. A second attention-getting sensory cue, such as a visual cue, is still required (CS 25.1322(c)(2)). Additional reasons for using Voice information include:

- a. Limiting the number of unique tones.
- b. Transferring workload from the visual to the auditory channel.
- c. Enhancing the identification of an abnormal condition and effectively augmenting the visual indication without replacing its usefulness.
- d. Providing information to the flight crew where a voice message is preferable to other methods.
- e. Assuring awareness of an alert no matter where the pilot's eyes are pointed.

f. Voice Characteristics**(1) General.**

- (a) The voice should be distinctive and intelligible.
- (b) The voice should include attention-getting qualities appropriate for the category of the alert, such as voice inflection, described below.

(2) **Voice Inflection.** Voice inflection may be used to indicate a sense of urgency. However, we do not recommend using an alarming tone indicating tension or panic. Such a tone may be inappropriately interpreted by flight crews of different cultures. Depending on the alerting condition, advising and commanding inflections may be used to facilitate corrective action, but the content of the message itself should be sufficient.

(3) Voice Intensity.

(a) Aural voice alerting must be audible to the flight crew in the worst-case (ambient noise) flight conditions whether or not the flight crew is wearing headsets (taking into account the headsets' noise attenuation characteristics) (CS 25.1301(a)). Aural voice alerting should not be so loud and intrusive that it interferes with the flight crew taking the required action. The minimum volume achievable by any adjustment (manual or automatic) (if provided) of aural voice alerts should be adequate to ensure it can be heard by the flight crew if the level of flight deck noise subsequently increases.

- (b) We recommend automatic volume control to maintain an acceptable signal-to-noise ratio.

g. Onset and Duration**(1) The onset of Voice information should occur:**

- (a) In a timeframe appropriate for the alerting condition and the desired response.
- (b) Simultaneously with the onset of its related Visual alert information. Any delays between the onset of the Voice information and its related visual alert should not cause flight crew distraction or confusion.
- (c) Simultaneously at each pilot's station, if more than one source of the Voice information is provided for the same condition, so that intelligibility is not affected.

(2) The duration of Voice information associated with Time-critical warnings should continue until the alerting condition no longer exists (for example, terrain warning). The Voice information should be repeated and non-cancelable during this time.

(3) Voice information associated with Time-critical warnings and Cautions should *not* be repeated if it interferes with the flight crew's ability to respond to the alerting condition (for example, windshear warning, or ACAS II resolution advisory).

(4) To support the flight crew in taking corrective action Voice information associated with Warnings should be repeated and non-cancelable if the flight crew needs continuous awareness that the condition still exists.

CS-25 BOOK 2

(5) Voice information associated with Warnings should be repeated and cancelable if the flight crew does not need continuous aural indication that the condition still exists (for example, Cabin Altitude Warning or Autopilot Disconnect).

(6) Reset the alerting mechanisms after cancelling them so they will annunciate any subsequent fault condition.

(7) For voice alerts associated with a Caution alert, the corresponding Voice information should either:

(a) Be limited in duration (for example, ACAS II Traffic Advisory or Windshear Caution), or

(b) Be continuous until the flight crew manually cancels it or the Caution condition no longer exists.

h. Voice Information Content

(1) The content should take into account the flight crew's ability to understand the English language.

(2) When practical, Voice information should be identical to the alphanumeric text message presented on the visual information display. If that is not possible, the Voice information and alphanumeric messages should at least convey the same information, so it is readily understandable and initiates the proper pilot response.

(3) For Time-critical warnings, the content and vocabulary of Voice information must elicit immediate (instinctive) directive corrective action (CS 25.1322(a)(2)). In order to do this, it should identify the condition triggering the alert. In some cases, it may also be necessary to provide guidance or instruction information.

(4) For Warning and Caution alerts, the content of Voice information must provide an indication of the nature of the condition triggering the alert (CS 25.1322(a)(2)). The Voice information should be descriptive and concise.

(5) The content should be consistent with any related visual information display (for example, Aural: "Pull up"; Visual: "Pull up" on the PFD.)

(6) Structure Voice information that uses more than one word so if one or more words are missed the information will not be misinterpreted (for example, avoid the word "don't" at the beginning of a voice message).

(7) Design Voice information so the flight crew can easily distinguish one spoken word message from another to minimise confusion.

Appendix 3**Regulations**

The following related documents are provided for information purposes and are not necessarily directly referenced in this AMC. The full text of CS-25 can be downloaded from the Internet at <http://easa.europa.eu/agency-measures/certification-specifications.php>.

CS-25 Paragraph	Subject
CS 25.207	Stall warning
CS 25.253(a)(2)	High-speed characteristics
CS 25.672(a)	Stability-augmentation and automatic and power-operated systems
CS 25.679(a)	Control system gust locks
CS 25.699	Lift and drag device indicator
CS 25.703	Take-off warning system
CS 25.729(e)	Retracting mechanism
CS 25.783(e)	Fuselage Doors
CS 25.812(f)(2)	Emergency lighting
CS 25.819(c)	Lower deck service compartments
CS 25.841(b)(6)	Pressurised cabins
CS 25.854(a)	Lavatory fire protection
CS 25.857(b)(3), (c)(1), (e)(2)	Cargo compartment classification
CS 25.859(e)(3)	Combustion heater fire protection
CS 25.863(c)	Flammable fluid fire protection
CS 25.1019(a)(5)	Oil strainer or filter
CS 25.1165(g)	Engine ignition systems
CS 25.1203(b)(2), (b)(3), (f)(1)	Fire-detector system
CS 25.1302	Installed systems and equipment for use by the flight crew
CS 25.1303(c)(1)	Flight and navigation instruments
CS 25.1305(a)(1), (a)(5), (c)(7)	Powerplant instruments
CS 25.1309(a), (b), (c), (d)(4)	Equipment, systems, and installations
CS 25.1322	Flight crew Alerting
CS 25.1326	Pitot heat indication systems
CS 25.1329	Flight guidance system
CS 25.1331(a)(3)	Instruments using a power supply
CS 25.1353(c)(6)(ii)	Electrical equipment and installations
CS 25.1419(c)	Ice protection

CS-25 Paragraph	Subject
CS 25.1517	Rough air speed, V_{RA}
CS 25.1549	Powerplant and auxiliary power unit instruments
CS 25J1305	APU Instruments
CS-25 Appendix I, I 25.6	Automatic Take-off Thrust Control System (ATTCS) Powerplant controls
CS-AWO 153	Audible warning of automatic pilot disengagement
CS-AWO 253	Audible warning of automatic pilot disengagement
CS-AWO 352	Indications and warnings

[Amdt. No.: 25/12]

Appendix 4

Related Documents

1. FAA Reports. A paper copy of the following reports may be ordered from the National Technical Information Service, 5285 Port Royal Road, Springfield, VA 22161.

a. Report DOT/FAA/RD-81/38, II, "Aircraft Alerting Systems Standardisation Study, Volume II, Aircraft Alerting Systems Design Guidelines."

b. Report DOT/FAA/CT-96/1, GAMA Report No. 10, "Recommended Guidelines for Part 23 Cockpit/Flight Deck Design" (September 2000), Section 4, Definitions, Primary Field of View.

2. ACs. An electronic copy of the following ACs can be downloaded from the Internet at <http://rgl.faa.gov>. A paper copy may be ordered from the U.S. Department of Transportation, Subsequent Distribution Office, M-30, Ardmore East Business Center, 3341 Q 75th Avenue, Landover, MD 20795.

Number	Title
AC 20-69	Conspicuity of Aircraft Malfunction Indicators
AC 20-88A	Guidelines on the Marking of Aircraft Powerplant Instruments (Displays)
AC 25-7A, Change 1	Flight Test Guide for Certification of Transport Category Airplanes
AC 25-11A	Electronic Flight Deck Displays
AC 25-23	Airworthiness Criteria for the Installation Approval of a Terrain Awareness and Warning System (TAWS) for Part 25 Airplanes
AC 25.703-1	Takeoff Configuration Warning Systems
AC 25.783-1A	Fuselage Doors and Hatches
AC 25.1309-1A	System Design and Analysis
AC 25.1329-1B	Approval of Flight Guidance Systems
AC 25.1523-1	Minimum Flightcrew

3. Technical Standard Order (TSO). TSO C-151b, "Terrain Awareness and Warning Systems," can be downloaded from the Internet at <http://rgl.faa.gov>.

4. European Aviation Safety Agency (EASA) Documents. Copies of the following documents can be found on the EASA website at <http://www.easa.eu.int/agency-measures/certification-specifications.php>.

Number	Title
AMC 25-11	Electronic Display Systems
AMC 25.1302	Installed Systems and Equipment for Use by the Flightcrew
AMC 25.1309	System Design and Analysis

AMC 25.1322	Alerting Systems
-------------	------------------

5. U.K. Civil Aviation Authority Document. Patterson, R.D. "Guidelines for Auditory Warning Systems on Civil Aircraft." Civil Aviation Authority paper 82017. London: Civil Aviation Authority, 1982.

6. Other Related Documents

a. Abbott, K.; Slotte, S.M.; and Stimson, D.K. Federal Aviation Administration Human Factors Team Report: *The Interfaces Between Flightcrews and Modern Flight Deck Systems*. June 18, 1996. Federal Aviation Administration, Aircraft Certification Service, Transport Airplane Directorate, 1601 Lind Avenue, SW, Renton, WA 98057-3356. http://www.faa.gov/education_research/training/aqp/library/media/interfac.pdf.

b. DOD-CM-400-18-05, *Department of Defense User Interface Specifications for the Defense Information Infrastructure*, Defense Information Systems Agency, February 1998. E-mail: cio-pubs@disa.mil. The Defense Information Systems Agency website is restricted to visitors from .gov and .mil domains.

c. Edworthy, J. and Adams, A. *Warning Design: A Research Perspective*. London: Taylor and Francis, 1996. Mortimer House, 37-41 Mortimer Street, London, W1T 3JH. <http://www.taylorandfrancis.com>.

d. Kuchar, J.K. "Methodology for alerting-system performance evaluation." *Journal of Guidance, Control, and Dynamics*, 19, pp. 438-444 (1996). AIAA, 1801 Alexander Bell Drive, Suite 500, Reston, VA 20191. <http://www.aiaa.org/content>.

e. Parasuraman, R. and Riley, V. "Human and Automation: use, misuse, disuse, abuse." *Human Factors: The Journal of the Human Factors and Ergonomics Society*, Volume 39, Number 2, June 1997, pp. 230-253. Human Factors and Ergonomics Society, PO Box 1369, Santa Monica, CA 90406-1369. <http://hfes.publisher.ingentaconnect.com/>.

f. SAE ARP 4033. *Pilot-System Integration*, August 1, 1995. SAE International, 400 Commonwealth Drive, Warrendale, PA 15096. <http://www.sae.org>.

g. Satchell, P. *Cockpit Monitoring and Alerting System*. Aldershot, England: Ashgate, 1993. Summit House, 170 Finchley Road, London NW3 6BP, England. <http://www.ashgate.com>.

CS-25 BOOK 2

APPENDIX 5

Definitions

Definitions are written to support the content of this AMC and its associated certification specification. Elsewhere, terms such as “warning” may be used in a manner that is not consistent with the definitions below. However, the intent of this section is to facilitate standardisation of these terms.

Term	Definition
Advisory	The level or category of alert for conditions that require flight crew awareness and may require subsequent flight crew response.
Alert	A generic term used to describe a flight deck indication meant to attract the attention of and identify to the flight crew a non-normal operational or aeroplane system condition. Alerts are classified at levels or categories corresponding to Warning, Caution, and Advisory. Alert indications also include non-normal range markings (for example, exceedances on instruments and gauges.)
Alert inhibit	Application of specific logic to prevent the presentation of an alert. Alerts can be inhibited automatically by the alerting system or manually by the flight crew.
Alert message	A visual alert comprised of text, usually presented on a flight deck display. <i>Note: Aural Alert messages are referred to as “Voice Information.”</i>
Alerting function	The aeroplane function that provides alerts to the flight crew for non-normal operational or aeroplane system conditions. This includes Warning, Caution, and Advisory information.
Alerting philosophy	The principles, guidance, and rules for implementing alerting functions within a flight deck. These typically consider: <ol style="list-style-type: none"> 1. The reason for implementing an alert. 2. The level of alert required for a given condition. 3. The characteristics of each specific alert. 4. Integration of multiple alerts.
Attention-getting cues	Perceptual signals (visual, auditory, or tactile/haptic) designed to attract the flight crew’s attention in order to obtain the immediate awareness that an alert condition exists.
Caution	The level or category of alert for conditions that require immediate flight crew awareness and a less urgent subsequent flight crew response than a warning alert.
Collector message	An Alert message that replaces two or more related Alert messages that do not share a common cause or effect. Example: A “DOORS” alert Collector message is displayed when more than one entry, cargo, or

CS-25 BOOK 2

Term	Definition
	service access door is open at the same time.
Communication message	A type of message whose initiating conditions are caused by incoming communications, primarily data link conditions. Traditionally, this type of message is not a flight crew alert and does not indicate a non-normal system or operational condition.
(1) Comm High	A communication message which requires immediate flight crew awareness and immediate flight crew response. <i>Note: At this time there are no communication messages defined that require immediate flight crew response.</i>
(2) Comm Medium	An incoming communication message that requires immediate flight crew awareness and subsequent flight crew response.
(3) Comm Low	An incoming communication message which requires flight crew awareness and future flight crew response.
False alert	An incorrect or spurious alert caused by a failure of the alerting system including the sensor.
Failure	An occurrence that affects the operation of a component, part, or element such that it can no longer function as intended. This includes both loss of function and malfunction.
Failure flag	One local visual means of indicating the failure of a displayed parameter.
Flashing	Short term flashing symbols (approximately 10 seconds) or flash until acknowledged.
Flight crew response	The activity accomplished due to the presentation of an alert such as an action, decision, prioritisation, or search for additional information.
Master aural alert	An overall aural indication used to attract the flight crew's attention that is specific to an alert urgency level (for example, Warning or Caution).
Master visual alert	An overall visual indication used to attract the flight crew's attention that is specific to an alert urgency level (for example, Warning or Caution).
Normal condition	Any fault-free condition typically experienced in normal flight operations. Operations are typically well within the aeroplane flight envelope and with routine atmospheric and environmental conditions.
Nuisance alert	An alert generated by a system that is functioning as designed but which is inappropriate or unnecessary for the particular condition.

CS-25 BOOK 2

Term	Definition
<p>Primary field of view</p>	<p>Primary Field of View is based upon the optimum vertical and horizontal visual fields from the design eye reference point that can be accommodated with eye rotation only. The description below and Figure A5-1 provide an example of how this may apply to head-down displays.</p> <p>With the normal line-of-sight established at 15 degrees below the horizontal plane, the values for the vertical (relative to normal line-of-sight forward of the aircraft) are +/-15 degrees optimum, with +40 degrees up and -20 degrees down maximum.</p> <p>For the horizontal visual field (relative to normal line-of-sight forward of the aircraft), the values are +/-15 degrees optimum, and +/-35 degrees maximum.</p>
<p>Figure A5-1. Primary Field of View</p>	
<p>Status</p>	<p>A specific aircraft system condition that is recognised using a visual indication, but does not require an alert and does not require flight crew response. These types of messages are sometimes used to determine aeroplane dispatch capability for subsequent flights.</p>
<p>Tactile/haptic information</p>	<p>An indication means where the stimulus is via physical touch, force feedback, or vibration (for example, a stick shaker).</p>

CS-25 BOOK 2

Term	Definition
Time-critical warning	<p>A subset of warning. The most urgent warning level to maintain the immediate safe operation of the aeroplane. Examples of Time-critical warnings are:</p> <ul style="list-style-type: none"> • Predictive and Reactive Windshear Warnings, • Terrain Awareness Warnings (TAWS), • Airborne Collision Avoidance System (ACAS) II Resolution Advisories, • Overspeed Warnings, and • Low Energy Warnings.
Umbrella message	<p>An Alert message that is presented in lieu of two or more Alert messages that share a common cause. Example: A single Engine Shutdown message in lieu of the multiple messages for electrical generator, generator drive, hydraulic pump and bleed air messages, which would otherwise have been displayed. This is different than a Collector message. A Collector message replaces two or more related Alert messages that do “not share” a common cause or effect.</p>
Unique tone (unique sound)	<p>An aural indication that is dedicated to specific alerts (for example, fire bell and overspeed).</p>
Visual alert information	<p>A visual indication that presents the flight crew with data on the exact nature of the alerting situation. For Advisory level alerts it also provides awareness.</p>
Voice information	<p>A means for informing the flight crew of the nature of a specific condition by using spoken words.</p>
Warning	<p>The level or category of alert for conditions that require immediate flight crew awareness and immediate flight crew response.</p>

[Amdt. No.: 25/11]

AMC 25.1323(d)
Airspeed Indicating System

An acceptable means of compliance when demonstrating a perceptible speed change between $1.23 V_{SR}$ to stall warning speed is for the rate of change of IAS with CAS to be not less than 0.75.

AMC 25.1323(e)
Airspeed Indicating System

An acceptable means of compliance when demonstrating a perceptible speed change between V_{MO} to $V_{MO} + 2/3 (V_{DF} - V_{MO})$ is for the rate of change of IAS with CAS to be not less than 0.50.

CS-25 BOOK 2

AMC 25.1323(h)

Airspeed Indicating System

The design and installation of the pitot system should be such that positive drainage of moisture is provided, chafing of the tubing and excessive distortion at bends is avoided, and the lag and the possibility of moisture blockage in the tubing should be kept to an acceptable minimum.

AMC to 25.1323(i) and 25.1325(b)

Airspeed Indicating System

1 Tests should be conducted to the same standard as recommended for turbine engine air intakes (see AMC 25.1093(b)(1)) unless it can be shown that the items are so designed and located as not to be susceptible to icing conditions. Ice crystal and mixed ice and water cloud will need to be considered where the system is likely to be susceptible to such conditions.

2 However, in conducting these tests due regard should be given to the presence of the aeroplane and its effect on the local concentration of the cloud.

AMC 25.1327

Direction Indicator

This AMC addresses the accuracy of stabilised magnetic heading systems, required for safe operation of the aeroplane. These systems include means to compensate or correct for errors induced by stable magnetic effects in the aeroplane. Additional effects due to electromagnetic transients and configuration changes are not normally "compensated" by the magnetic heading system and are also included in this AMC.

Should the correction become unavailable (either intentionally or unintentionally), the effects of the resulting heading indication should be considered for safe operation of the aeroplane. This AMC addresses the condition where correction is available and the condition where correction is not available (or failed).

In most circumstances, heading information is not directly used as the primary means of navigation. This condition should permit the applicant to show that the accuracy adequate for the safe operation of the aeroplane may be different than what is defined in this AMC.

1. After correction the cumulative deviation on any heading should not exceed 5°, based on the following:
 - a. A change in deviation due to the equipment of the heading system components, the total of which should not exceed 2°.
 - b. A change in deviation due to the current flow in any item of electrical equipment and its associated wiring is permissible, but should not exceed 1°. The total cumulative effect for all combinations of equipment, with all combinations of electrical load, should not exceed 2°.
 - c. A change in deviation due to the movement of any component, (e.g. controls or undercarriage) in normal flight is permissible, but should not exceed 1°.
2. If correction fails or is not available, the change in deviation due to the proximity of all equipment containing magnetic material should not exceed 2°.
3. For magnetic heading indications obtained via geographic (true) heading, the accuracy of the heading indication should account for the accuracy of the magnetic variation data based on geographic position. This variation may change over time.

Acceptable accuracy values have been found to be:

- 2 degrees (Latitudes between 50°S and 50°N)
- 3 degrees (Latitudes between 50°N and 73°N)

CS-25 BOOK 2

- 3 degrees (Latitudes between 50°S and 60°S)
- 5 degrees (Latitudes between 73°N and 79°N)
- 8 degrees (Latitudes between 79°N and 82°N)

The applicant may propose different accuracy values after consultation with the EASA.

In areas of known magnetic unreliability (e.g. the magnetic poles), the magnetic variation error can be very large, so the magnetic heading indications (if output) should not be relied upon.

4. For geographic (true) heading indications (such as those provided by Inertial Reference Units), the accuracy should be better or equal to 1°.

5. For standby compass instruments, the accuracy of the magnetic heading indications after correction should be better or equal to 10°.

Note: On aeroplanes with a short cruising range, the above limits may be extended after consultation with EASA. For aeroplanes that do not depend on direction or heading information for navigation (VOR, ILS, FMS, GPS), the above limits may be extended after consultation with EASA.

CS-25 BOOK 2**AMC No. 1 to CS 25.1329
Flight Guidance System****1 PURPOSE**

This AMC provides interpretative material and acceptable means of compliance with the specifications of CS 25.1329 for Flight Guidance Systems. These means are intended to provide guidance to supplement the engineering and operational judgment that must form the basis of any compliance demonstration.

2 RELATED CERTIFICATION SPECIFICATIONSCSs

The following are related CS standards:

25.115	Take-off flight path
25.302	Interaction of systems and structures
25.671	Control systems, General
25.672	Stability augmentation and automatic and power-operated systems
25.677	Trim systems
25.777	Cockpit controls
25.779	Motion and effect of cockpit controls
25.781	Cockpit control knob shape
25.901	Powerplant, General, Installation–
25.903	Powerplant, General, Engines
25.1301	Equipment, General, Function and installation–
25.1309	Equipment, systems, and installations
25.1322	Warning, caution, and advisory lights
25.1581	Aeroplane Flight Manual, General
CS-AWO	All Weather Operations

3 RELATED ADVISORY MATERIAL

EASA Acceptable Means of Compliance (AMC) and FAA Advisory Circulars (FAA AC).

The following guidance and advisory materials are related to this AMC:

AMC 20-115	Software Considerations for Airborne Systems and Equipment Certification
AMC 25.1309	System Design and Analysis
AMC 25.1322	Alerting Systems

CS-25 BOOK 2

AMC 25.1581	Aeroplane Flight Manual
AMC 25-11	Electronic Display Systems
FAA AC 20-129	Airworthiness Approval of Vertical Navigation (VNAV) Systems for use in the U.S. National Airspace System (NAS) and Alaska
FAA AC 25-7A	Flight Test Guide for Certification of Transport Category Airplanes
FAA AC 25-12	Airworthiness Criteria for the Approval of Airborne Windshear Warning Systems in Transport Category Airplanes
FAA AC 120-28D	Criteria for Approval of Category III Weather Minima for Takeoff, Landing, and Rollout
FAA AC 120-29A	Criteria for Approval of Category I and Category II Weather Minima for Approach
FAA AC 120-41	Criteria for Operational Approval of Airborne Wind Shear Alerting and Flight Guidance Systems

4 RELATED DOCUMENTS

JAA documents:

JAR-OPS 1	Commercial Air Transportation (Aeroplanes)
-----------	--

Industry documents.

The following are related Industry Standards that may be useful in the design process:

SAE ARP5366	Autopilot, Flight Director and Autothrust Systems
SAE ARP4754A/EUROCAE ED-79A	Guidelines for development of civil aircraft and systems
SAE ARP4100	Flight Deck and Handling Qualities Standards for Transport Aircraft
SAE ARP4761	Guidelines and Methods for Conducting the Safety Assessment Process on Civil Airborne Systems and Equipment
RTCA DO-160G/ EUROCAE ED-14G	Environmental Conditions and Test Procedures for Airborne Equipment
RTCA DO-254/ EUROCAE ED-80	Design Assurance Guidance for Airborne Electronic Hardware
DOT/FAA/CT-96/1	Human Factors Design Guide for Acquisition of Commercial-Off-the-Shelf Subsystems, Non-Developmental Items, and Developmental Systems.

[Amdt. No.: 25/11]

[Amdt. No.: 25/12]

CS-25 BOOK 2

5 DEFINITIONS AND ACRONYMS

The following definitions apply to the specifications of CS 25.1329 and the guidance material provided in this AMC. They should not be assumed to apply to the same or similar terms used in other regulations or AMC material. Terms for which standard dictionary definitions apply are not defined in this AMC.

5.1 Definitions

Abnormal Condition	See Non-normal
Advisory	EASA: Crew awareness is required and subsequent crew action may be required. (AMC 25.1322)
Alert	<p>A generic term used to describe a flight deck indication meant to attract the attention of the flight crew to a non-normal operational or aeroplane system condition without implying the degree or level of urgency for recognition and corrective action by the crew. Warnings, Cautions and Advisories are considered to be Alerts.</p> <p>EASA definition: A signal to the crew intended to draw their attention to the existence of an abnormality, system fault or aircraft condition and to identify it. (AMC 25.1322)</p>
Analysis	The terms “analysis” and “assessment” are used throughout. Each has a broad definition and the two terms are to some extent interchangeable. However, the term analysis generally implies a more specific, more detailed evaluation, while the term assessment may be a more general or broader evaluation but may include one or more types of analysis (AMC 25.1309).
Arm	A condition where the intent to transition to a new mode or state has been established but the criteria necessary to make that transition has not been satisfied.
Assessment	See the definition of analysis above (AMC 25.1309).
Autopilot	The autopilot function provides automatic control of the aeroplane, typically in pitch, roll, and yaw. The term includes the sensors, computers, power supplies, servo-motors/actuators and associated wiring, necessary for its function. It includes any indications and controllers necessary for the pilot to manage and supervise the system. Any part of the autopilot that remains connected to the primary flight controls when the autopilot is not in use is regarded as a part of the primary flight controls.
Autothrust	The autothrust function provides automatic control of the thrust of the aeroplane. The term includes the sensors, computers, power supplies, servo-motors/actuators and associated wiring, necessary for its function. It includes any indications and controllers necessary for the pilot to manage and supervise the system. Any part of the autothrust that remains connected to the engine controls when the autothrust is not in use is regarded as a part of the engine control system.
Caution	A flight deck indication that alerts the flight crew to a non-normal operational or aeroplane system condition that requires immediate crew awareness. Subsequent pilot corrective compensatory action will be required.

CS-25 BOOK 2

Cognitive Task Analysis	An analysis that focuses on the mental processes, skills, strategies, and use of information required for task performance.
Complex	A system is Complex when its operation, failure modes, or failure effects are difficult to comprehend without the aid of analytical methods (AMC 25.1309).
Conformal	Positioned and scaled with respect to the outside view
Control Wheel Steering (CWS)	A Flight Guidance System (FGS) function which, when engaged, enables the pilot/first officer to manually fly the aeroplane by positioning the flight control surfaces using the autopilot servos. The positions of the flight deck controls (e.g., control column, control wheel) are determined by the FGS, which converts them into autopilot servo commands. The autopilot servos, in turn, drive the appropriate flight control surfaces.
Conventional	A system is considered to be Conventional if its functionality, the technological means used to implement its functionality, and its intended usage are all the same as, or closely similar to, that of previously approved systems that are commonly-used (AMC 25.1309).
Engage	A steady state that exists when a flight crew request for mode or system functionality has been satisfied.
Error	An omission or incorrect action by a crewmember or maintenance personnel, or a mistake in requirements, design, or implementation (AMC 25.1309).
Failure	An occurrence that affects the operation of a component, part, or element such that it can no longer function as intended (this includes both loss of function and malfunction). <u>NOTE:</u> Errors may cause failures, but are not considered to be failures (AMC 25.1309).
Failure Condition	A condition having an effect on the aeroplane and/or its occupants, either direct or consequential, which is caused or contributed to by one or more failures or errors, considering flight phase and relevant adverse operational or environmental conditions, or external events (AMC 25.1309)
Fail Operational System	A system capable of completing an operation, following the failure of any single element or component of that system, without pilot action.
Fail Passive System	A system which, in the event of a failure, results in: <ul style="list-style-type: none"> (a) no significant deviation in the aircraft flight path or attitude and (b) no out-of-trim condition at disengagement that is not easily controlled by the pilot.
Flight Director	A visual cue or set of cues that are used during manual control of the aeroplane as command information to direct the pilot how to manoeuvre the aeroplane, usually in pitch, roll and/or yaw, to track a desired flight path. The flight director, displayed on the pilot's primary head down attitude indicator (ADI) or head up display (HUD), is a component of the flight guidance system and is integrated with airborne attitude, air data and navigation systems.

CS-25 BOOK 2

Flight Guidance System	A system consisting of one or more of the following elements: <ul style="list-style-type: none"> (a) autopilot, (b) flight director, (c) automatic thrust control, and any interactions with stability augmentation and trim systems.
Flight Management System	An aircraft area navigation system and associated displays and I/O device(s) having complex multi-waypoint lateral (LNAV) and vertical (VNAV) navigation capability (or equivalent), data entry capability, data base memory to store route and instrument flight procedure information, and display readout of navigation parameters. The Flight Management System provides guidance commands to the FGS for the purpose of automatic navigation and speed control when the FGS is engaged in an appropriate mode or modes (e.g., VNAV, LVAV, RNAV).
Head-Up Display (HUD)	A transparent optical display system located level with and between the pilot and the forward windscreen. The HUD displays a combination of control, performance, navigation, and command information superimposed on the external field of view. It includes the display element, sensors, computers and power supplies, indications and controls. It is integrated with airborne attitude, air data and navigation systems, and as a display of command information is considered a component of the flight guidance system.
Inadvertent	A condition or action that was not planned or intended.
Latent Failure	A failure is latent until it is made known to the flight crew or maintenance personnel. A significant latent failure is one, which would in combination with one or more specific failures, or events result in a Hazardous or Catastrophic Failure Condition (AMC 25.1309).
Limit Flight Envelope	This envelope is the most outside flight envelope, generally associated with aeroplane design limits
Mode	A mode is system configuration that corresponds to a single (or set of) FGS behaviour(s).
Non-normal Condition	A condition or configuration of the aeroplane that would not normally be experienced during routine flight operations - usually due to failures or non-routine operating conditions (e.g., excessive out-of-trim due to fuel imbalance or under certain ferry conditions).
Normal Condition	Any fault free condition typically experienced in normal flight operations. Operations typically well within the aircraft flight envelope, and with routine atmospheric and environmental conditions.
Normal Flight Envelope	The range of altitude and operating speeds that are defined by the aeroplane manufacturer as consistent with conducting flight operations for which the aeroplane is designed. This envelope is generally associated with practical, routine operation and/or prescribed conditions, whether all-engine or engine inoperative.

CS-25 BOOK 2

Override	An action taken by the flight crew intended to prevent, oppose or alter an operation being conducted by a flight guidance function, without first disengaging that function.
Rare Normal Condition	A fault-free condition that is experienced infrequently by the aeroplane due to significant environmental conditions (e.g., significant wind, turbulence, or icing, etc.)
Redundancy	The presence of more than one independent means for accomplishing a given function or flight operation (AC/AMC 25.1309).
Select	The flight crew action of requesting functionality or an end state condition.
Significant transient	See “transient.”
Stability Augmentation System	Automatic systems, which provide or enhance stability for specific aerodynamic characteristics of an aeroplane (e.g., Yaw Damper, Longitudinal Stability Augmentation System, Mach Trim).
System	A combination of components, parts, and elements that are interconnected to perform one or more specific functions (AMC 25.1309).
Transient	<p>A disturbance in the control or flight path of the aeroplane that is not consistent with response to flight crew inputs or current environmental conditions.</p> <p>a. Minor transient: A transient that would not significantly reduce safety margins, and which involves flight crew actions that are well within their capabilities involving a slight increase in flight crew workload or some physical discomfort to passengers or cabin crew.</p> <p>b. Significant transient: A transient that would lead to a significant reduction in safety margins, a significant increase in flight crew workload, discomfort to the flight crew, or physical distress to passengers or cabin crew, possibly including non-fatal injuries.</p> <p>NOTE: The flight crew should be able to respond to any significant transient without:</p> <ul style="list-style-type: none"> • exceptional piloting skill, alertness, or strength, • forces greater than those given in CS 25.143(ed), and • accelerations or attitudes in the aeroplane that might result in further hazard to secured or non-secured occupants.
Warning	A flight deck indication that alerts the flight crew to a non-normal operational or aeroplane system requiring immediate recognition. Immediate corrective or compensatory action by the flight crew is required.

CS-25 BOOK 2**5.2 Acronyms**

AC	Advisory Circular (FAA)
ACAS	Airborne Collision Avoidance System
AMC	Acceptable Means of Compliance
AFM	Aeroplane Flight Manual
AGL	Above Ground Level
AIM	Airman's Information Manual
ARP	Accepted and Recommended Practice
ATC	Air Traffic Control
AWO	All Weather Operations
CG	Centre of Gravity
CDI	Course Deviation Indicator
CWS	Control Wheel Steering
DA	Decision Altitude
DA(H)	Decision Altitude (Height)
DME	Distance Measuring Equipment
EFIS	Electronic Flight Instrument System
EVS	Enhanced Vision System
FAA	Federal Aviation Administration
FCOM	Flight Crew Operations Manual
F/D	Flight Director
FGS	Flight Guidance System
FLCH	Flight Level Change
FMA	Flight Mode Annunciator
FMS	Flight Management System
GA	Go-around
GLS	GNSS Landing System
GNSS	Global Navigation Satellite System
GPWS	Ground Proximity Warning System
HDD	Head Down Display
HUD	Head-Up Display
IAS	Indicated Air Speed
ICAO	International Civil Aviation Organization
ILS	Instrument Landing System

CS-25 BOOK 2

IMA	Integrated Modular Avionics
IMC	Instrument Meteorological Conditions
JAA	Joint Aviation Authorities
LNAV	Lateral Navigation
LOC	Localizer
MDA(H)	Minimum Descent Altitude (Height)
MLS	Microwave Landing System
MSL	Mean Sea Level
MSP	Mode Select Panel
MUH	Minimum Use Height
NAV	Navigation
ND	Navigation Display
NDB	Non Directional Beacon
NPA	Notice of Proposed Amendment
NPRM	Notice of Proposed Rulemaking
PF	Pilot Flying
PFD	Primary Flight Display
PNF	Pilot Not Flying
RNAV	Area Navigation
RNP	Required Navigation Performance
RTO	Rejected Takeoff
RVSM	Reduced Vertical Separation Margin
SAE	Society of Automotive Engineering
SVS	Synthetic Vision System
TCAS	Traffic Collision Alert System
TCS	Touch Control Steering
TO	Takeoff
TOGA	Takeoff or Go-around
VMC	Visual Meteorological Conditions
VNAV	Vertical Navigation
VOR	VHF Omni Range
WAT	Weight Altitude Temperature

CS-25 BOOK 2

6 BACKGROUND

This advisory material replaces material previously provided in AMC 25.1329 for Automatic Pilots. The automatic control and guidance systems in current aircraft have evolved to a level that dictates a revision to current advisory material.

There have been dramatic changes in technology and system design, which have resulted in much higher levels of integration, automation, and complexity. These changes have also redefined the allocation of functions and interfaces between systems. Relatively simple, dedicated systems have been replaced with digital multi-function systems with more modes, and automatic changes in modes of operation. The introduction of fly-by-wire flight control systems has created new interface considerations for the FGS elements. These new systems are capable of providing better performance, increased safety and decreased workload. But if designed without consideration for the criteria in this AMC, these systems could also be confusing and not immediately intuitive for the flight crew. Significant operational experience has been gained on new generation systems and guidance material is provided herein based on that experience.

This advisory material is provided for Flight Guidance Systems, which include any autopilot functions, flight director functions, automatic thrust control functions and any interactions with stability augmentation and trim functions.

7 GENERAL

The FGS is primarily intended to assist the flight crew in the basic control and tactical guidance of the aeroplane. The system may also provide workload relief to the pilots and may provide a means to fly a flight path more accurately to support specific operational requirements (e.g. RVSM, RNP, etc.).

The applicant should establish, document and follow a design philosophy that supports the intended operational use regarding the FGS behaviour; modes of operation; pilot interface with controls, indications, and alerts; and mode functionality.

Description of the FGS behaviour and operation should be addressed from flight crew and maintenance perspectives in appropriate documentation and training material.

Subsequent sections of this advisory material provide interpretative material and acceptable means of compliance with CS 25.1329 and the applicability of other CS-25 rules to FGS (e.g., CS 25.1301, CS 25.1309). The demonstrated means of compliance may include a combination of analysis, laboratory testing, flight-testing, and simulator testing. The applicant should coordinate with the authorities early in the certification programme, via a certification plan, to reach agreement on the methods to be used to demonstrate compliance.

7.1 Flight Guidance System Functions

The following functions, when considered separately and together, are considered elements of a Flight Guidance System:

- Flight guidance and control (e.g., autopilot, flight director displayed head-down or head-up);
- Autothrottle/autothrust systems;
- Interactions with stability augmentation and trim systems; and
- Alerting, status, mode annunciation, and situation information associated with flight guidance and control functions.

The FGS includes those functions necessary to provide guidance and control in conjunction with an approach and landing system, such as:

- the Instrument Landing System (ILS),
- the Microwave Landing System (MLS) or

CS-25 BOOK 2

- the Global Navigation Satellite System (GNSS) Landing System (GLS).

The FGS also includes those functions necessary to provide guidance and control in conjunction with a Flight Management System (FMS). The FGS does **not** include the flight planning and the generation of flight path and speed profiles tied to waypoints and other flight planning aspects of the Flight Management System (FMS). However, it does include the interface between the FMS and FGS necessary for the execution of flight path and speed commands.

7.2 FGS Components

For the purpose of this AMC the term “FGS” includes all the equipment necessary to accomplish the FGS function, including the sensors, computers, power supplies, servo-motors/actuators, and associated wiring. It includes any indications and controllers necessary for the pilot to manage and supervise the system.

Any part of the FGS that remains mechanically connected to the primary flight controls or propulsion controls when the Flight Guidance System is not in use is regarded as a part of the primary flight controls and propulsion system, and the provisions for such systems are applicable.

7.3 Compliance with CS 25.1329

Table 7.3-A lists the relevant paragraphs of CS 25.1329 and provides an indication where acceptable means of compliance with each paragraph may be found within this AMC.

TABLE 7.3-A.

Where Means of Compliance Can Be Found in this AMC

Section / Paragraph	Rule Text	Where Acceptable Means of Compliance Found in this AMC
CS 25.1329 (a)	<i>Quick disengagement controls for the autopilot and autothrust functions must be provided for each pilot. The autopilot quick disengagement controls must be located on both control wheels (or equivalent). The autothrust quick disengagement controls must be located on the thrust control levers. Quick disengagement controls must be readily accessible to each pilot while operating the control wheel (or equivalent) and thrust control levers.</i>	Section 8.1, Autopilot Engagement/Disengagement and Indications Section 8.3, Autothrust Engagement/Disengagement and Indications
CS 25.1329 (b)	<i>The effects of a failure of the system to disengage the autopilot or autothrust functions when manually commanded by the pilot must be assessed in accordance with the specifications of CS 25.1309.</i>	Section 8.1, Autopilot Engagement/Disengagement and Indications Section 8.3, Autothrust Engagement/Disengagement and Indications Section 13.6, Safety Assessment – Failure to Disengage the FGS

CS-25 BOOK 2

CS 25.1329 (c)	<i>Engagement or switching of the flight guidance system, a mode, or a sensor must not produce a transient response affecting the control or flight path of the aeroplane any greater than a minor transient.</i>	Section 8, FGS Engagement, Disengagement, and Override Section 13, Safety Assessment
CS 25.1329 (d)	<i>Under normal conditions, the disengagement of any automatic control functions of a flight guidance system must not produce a transient response affecting the control or flight path of the aeroplane any greater than a minor transient.</i>	Section 8, FGS Engagement, Disengagement, and Override Section 13, Safety Assessment
CS 25.1329 (e)	<i>Under rare-normal or non-normal conditions the disengagement of any automatic control functions of a flight guidance system must not produce a transient response affecting the control or flight path of the aeroplane any greater than a significant transient.</i>	Section 8, FGS Engagement, Disengagement, and Override Section 9.3.3, Awareness of Potential Significant Transient Condition (“Bark before Bite”)
CS 25.1329 (f)	<i>The function and direction of motion of each command reference control (e.g., heading select, vertical speed) must be readily apparent or plainly indicated on, or adjacent to, each control if necessary to prevent inappropriate use or confusion.</i>	Section 9, Controls, Indications and Alerts
CS 25.1329 (g)	<p><i>Under any condition of flight appropriate to its use, the Flight Guidance System must not:</i></p> <ul style="list-style-type: none"> • <i>produce unacceptable loads on the aeroplane (in accordance with CS 25.302), or</i> • <i>create hazardous deviations in the flight path.</i> <p><i>This applies to both fault-free operation and in the event of a malfunction, and assumes that the pilot begins corrective action within a reasonable period of time.</i></p>	Section 10, Performance of Function Section 13, Safety Assessment Section 14, Compliance Demonstration using Flight Test and Simulation
CS 25.1329 (h)	<i>When the flight guidance system is in use, a means must be provided to avoid excursions beyond an acceptable margin from the speed range of the normal flight envelope. If the aircraft experiences an excursion outside this range, the flight guidance system must not provide guidance or control to an unsafe speed.</i>	Section 10.4, Speed Protection

CS-25 BOOK 2

CS 25.1329 (i)	<i>The FGS functions, controls, indications, and alerts must be designed to minimize flight crew errors and confusion concerning the behaviour and operation of the FGS. Means must be provided to indicate the current mode of operation, including any armed modes, transitions, and reversions. Selector switch position is not an acceptable means of indication. The controls and indications must be grouped and presented in a logical and consistent manner. The indications must be visible to each pilot under all expected lighting conditions.</i>	Section 9, Controls Indications and Alerts
CS 25.1329 (j)	<i>Following disengagement of the autopilot, a warning (visual and aural) must be provided to each pilot and be timely and distinct from all other cockpit warnings.</i>	Section 8.1.2.1, Autopilot Disengagement Alerts Section 13, Safety Assessment
CS 25.1329 (k)	<i>Following disengagement of the autothrust function, a caution must be provided to each pilot.</i>	Section 8.3.2, Autothrust Disengagement Section 13, Safety Assessment
CS 25.1329 (l)	<i>The autopilot must not create an unsafe condition when the flight crew applies an override force to the flight controls.</i>	Section 8.4.1, Flight Crew Override of the FGS – Autopilot Section 13, Safety Assessment
CS 25.1329 (m)	<i>During autothrust operation, it must be possible for the flight crew to move the thrust levers without requiring excessive force. The autothrust response to flight crew override must not create an unsafe condition.</i>	Section 8.4.2, Flight Crew Override of the FGS - Autothrust Section 13, Safety Assessment

8 Flight Guidance System Engagement, Disengagement and Override

The characteristics of the FGS during engagement, disengagement and override have caused some concern with systems on some aeroplanes. The following criteria should be addressed in the design of a FGS.

8.1 Autopilot Engagement/Disengagement and Indications

Autopilot engagement and disengagement should be accomplished in a manner consistent with other flight crew procedures and tasks, and should not require undue attention.

8.1.1 Autopilot Engagement

Each pilot should be able to select the autopilot function of the flight guidance system with a single switch action. The single switch action should engage pitch and roll axes. The autopilot system should provide

CS-25 BOOK 2

positive indication to the flight crew that the system has been engaged. The selector switch position is not acceptable as a means of indication (reference CS 25.1329(i)).

NOTE: If an operational need is identified for split-axis engagement, then annunciation or indication should be provided for each axis.

For aeroplanes with more than one autopilot installed, each autopilot may be individually selected and should be so annunciated. It should not be possible for multiple autopilots to be engaged in different modes.

The engagement of the autopilot should be free of perceptible transients. Under dynamic conditions, including manoeuvring flight, minor transients are acceptable.

Without a flight director engaged, the initial lateral and vertical modes should be consistent with minimal disturbance from the flight path. For example, the lateral mode at engagement may roll the aeroplane to wings level and then hold the aeroplane heading/track or maintain the existing bank angle (if in a normal range). A heading/track pre-select at engagement function may be provided if precautions are taken to ensure that selection reflects the current intent of the flight crew. The modes at engagement should be annunciated and any associated selected target values should be displayed.

With a flight director engaged, the autopilot should engage into a mode consistent (i.e., the same as, or if that is not possible, then compatible with) the active flight director mode of operation. Consideration should be given to the mode into which the autopilot will engage when large commands are present on either or both flight directors. For example, consideration should be given whether to retain the active flight director mode or engage the autopilot into the basic mode, and the implications for current flight path references and targets. The potential for flight crew confusion and unintended changes in flight path or modes should be considered.

Regardless of the method used, the engagement status (and changes in status) of the autopilot(s) should be clearly indicated and should not require undue attention or recall.

For modes that use multiple autopilots, the additional autopilots may engage automatically at selection of the mode or after arming the mode. A means should be provided to determine that adequate autopilot capability exists to support the intended operation (e.g., "Land 2" and "Land 3" are used in some aircraft).

NOTE: The design should consider the possibility that the pilot may attempt to engage the autopilot outside of the normal flight envelope. It is not required that the autopilot should compensate for unusual attitudes or other situations outside the normal flight envelope, unless that is part of the autopilot's intended function.

8.1.2 Autopilot Disengagement

In consequence of specifications in CS 25.1329(d), under normal conditions, automatic or manual disengagement of the autopilot must be free of significant transients or out-of-trim forces that are not consistent with the manoeuvres being conducted by the aeroplane at the time of disengagement. If multiple autopilots are engaged, any disengagement of an individual autopilot must be free of significant transients and should not adversely affect the operation of the remaining engaged autopilot(s) (CS 25.1329(d)).

Under non-normal or rare-normal conditions (see CS 25.1329(e)), disengagement of the autopilot may result in a significant transient. The flight crew should be able to respond to a significant transient without:

- exceptional piloting skill, alertness, or strength,
- forces greater than those given in CS 25.143(d), and
- accelerations or attitudes in the aeroplane that might result in a hazard to secured or non-secured occupants.

CS-25 BOOK 2

The flight crew should be made aware (via a suitable alerting or other indication) of conditions or situations (e.g., continued out-of-trim) that could result in a significant transient at disengagement. (See Section 9.3.3 on Awareness of Potential Significant Transient Condition (“Bark before Bite”).

8.1.2.1 Autopilot Disengagement Alerts (see CS 25.1329(j))

Since it is necessary for a pilot to immediately assume manual control following disengagement of the autopilot (whether manual or automatic) a visual and aural warning must be given (CS 25.1329(j)). This warning must be given without delay, and must be distinct from all other cockpit warnings (CS 25.1329(j)). The warning should continue until silenced by one of the pilots using:

- an autopilot quick disengagement control
- reengagement of the autopilot
- another acceptable means.

It should sound for a minimum period, long enough to ensure that it is heard and recognized by that pilot and by other flight crew members, but not so persistent that it adversely affects communication between crew members or is a distraction.

Disengagement of an autopilot within a multiple-autopilot system (e.g., downgraded capability), requiring immediate flight crew awareness and possible timely action, should cause a Caution level alert to be issued to the flight crew.

Disengagement of an autopilot within a multiple-autopilot system, requiring only flight crew awareness, should cause a suitable advisory to be issued to the flight crew.

8.1.2.2 Quick Disengagement Control (see CS 25.1329(a))

The purpose of the “Quick Disengagement Control” is to ensure the capability for each pilot to manually disengage the autopilot quickly with a minimum of pilot hand/limb movement. The “Quick Disengagement Control” must be located on each control wheel or equivalent (CS 25.1329(a) and should be within easy reach of one or more fingers/thumb of the pilot’s hand when the hand is in a position for normal use on the control wheel or equivalent. The “Quick Disengagement Control” should meet the following criteria :

- (a) Be accessible and operable from a normal hands-on position without requiring a shift in hand position or grip on the control wheel or equivalent;
- (b) Be operable with one hand on the control wheel or equivalent and the other hand on the thrust levers;

NOTE: When establishing location of the quick disengagement control, consideration should be given to:

- its accessibility with large displacements of, or forces on, the control wheel (or equivalent), and
 - the possible need to operate the quick disengagement control with the other hand.
- (c) Be easily located by the pilot without having to first locate the control visually;
 - (d) Be designed so that any action to operate the “Quick Disengagement Control” should not cause an unintended input to the control wheel or equivalent; and
 - (e) Be designed to minimize inadvertent operation and interference with other nearby control wheel (or equivalent) switches/devices (e.g., radio control, trim).

8.1.2.3 Alternative Means of Autopilot Disengagement

When a CS 25.1309 assessment shows a need for an alternative means of disengagement, the following should be addressed:

CS-25 BOOK 2

- Independence,
- The alternate means should be readily accessible to each pilot,
- Latent failure/reliability of the alternate means.

The following means of providing an alternative disengagement have been found to be acceptable:

- Selection of the engagement control to the “off” position.
- Disengage bar on mode selector panel.
- Trim switch on yoke.

NOTE: Use of circuit breakers as a means of disengagement is not considered to be acceptable.

8.1.2.5 Flight Crew Pitch Trim Input

If the autopilot is engaged and the pilot applies manual pitch trim input, either the autopilot should disengage with no more than a minor transient, or pitch trim changes should be inhibited (see CS 25.1329(l)).

8.2 Flight Director Engagement/Disengagement and Indications

Engagement and disengagement should be accomplished consistent with other flight crew procedures and tasks and should not require undue attention.

8.2.1 Flight Director Engagement

A means may be provided for each pilot to select (i.e., turn on) and deselect the flight director for display on their primary flight display (e.g., attitude display). The selection status of the flight director and the source of flight director guidance should be clear and unambiguous. Failure of a selected flight director should be clearly annunciated.

A flight director is considered “engaged” if it is selected and displaying guidance cues.

NOTE: The distinction is made between “engaged” and “selected” because the flight director might be selected, but not displaying guidance cue(s) (e.g., the cue(s) are biased out of view).

If there are multiple flight directors, and if required for crew awareness, indications should be provided to denote which flight director is engaged (e.g., FD1, FD2, HUD source). For aeroplanes with multiple flight directors installed, both flight directors should always be in the same armed and active FGS modes. The selection status of each flight director should be clear and unambiguous for each pilot. In addition, indications should be provided to denote loss of flight director independence (i.e., first officer selection of captain’s flight director).

A flight director should engage into the current modes and targets of an already engaged autopilot or flight director, if any. With no autopilot engaged, the basic modes at engagement of the flight director functions should be established consistent with typical flight operations.

NOTE: The engagement of the pitch axis in Vertical Speed or Flight Path Angle, and engagement of the lateral axis in Heading Hold, Heading Select or Bank Angle Hold have been found to be acceptable.

Since the HUD can display flight guidance, the HUD guidance mode should be indicated to both pilots and should be compatible with the active head-down flight director mode.

Engagement during manoeuvring flight should be considered.

CS-25 BOOK 2

NOTE: The design should consider the safety consequences if it is possible for the flight director to engage outside of the normal flight envelope. It is not required that the flight director should compensate for unusual attitudes or other situations outside the normal flight envelope, unless that is part of the flight director's intended function.

8.2.1.1 Guidance Cue(s)

The flight director command guidance cue(s) will typically be displayed when the flight director is selected and valid command guidance is available or if it is automatically providing guidance as per paragraph 8.2.1.2 below. The flight director guidance cue(s) should be removed when guidance is determined to be invalid. The display of guidance cue(s) (e.g., flight director bars) is sufficient indication that the flight director is engaged.

8.2.1.2 Reactive Windshear Flight Director Engagement

For aeroplanes equipped with a flight director windshear guidance system, flight director engagement should be provided, consistent with the criteria contained in FAA AC's 25-12 and 120-41.

8.2.2 Flight Director Disengagement

There may be a means for each pilot to readily deselect his or her on-side flight director function. Flight crew awareness of disengagement and de-selection is important. Removal of guidance cue(s) alone is not sufficient indication of de-selection, because the guidance cue(s) may be removed from view for a number of reasons, including invalid guidance, autopilot engagement, etc. Therefore, the flight director function should provide clear and unambiguous indication (e.g., switch position or status) to the flight crew that the function has been deselected.

8.3 Autothrust Engagement/Disengagement and Indications

The autothrust function should be designed with engagement and disengagement characteristics that provide the flight crew positive indication that the system has been engaged or disengaged. Engagement and disengagement should be accomplished in a manner consistent with other flight crew procedures and tasks and should not require undue attention.

8.3.1 Autothrust Engagement

The autothrust engagement controls should be accessible to each pilot. The autothrust function should provide the flight crew positive indication that the system has been engaged.

The autothrust function should be designed to prevent inadvertent engagement and inadvertent application of thrust, for both on-ground and in-air operations (e.g., provide separate arm and engage functions).

The autothrust normally should be designed to preclude inadvertent engagement. However, intended modes such as a "wake up" mode to protect for unsafe speeds may be acceptable (see Section 10.4.1 on Low Speed Protection). If such automatic engagement occurs, it should be clear to the flight crew that automatic engagement has occurred, the automatic engagement should not cause any unsafe condition (e.g., unsafe pitch attitudes or unsafe pitching moments), to show compliance with CS 25.1329(c), and the reason for automatic engagement should be clear and obvious to the flight crew.

NOTE: The design should consider the possibility that the pilot may attempt to engage the autothrust function outside of the normal flight envelope or at excessive (or too low) engine_thrust. It is not expected that the autothrust feature should compensate for situations outside the normal flight envelope or normal engine operation range, unless that is part of the intended function of the autothrust system.

CS-25 BOOK 2

8.3.2 Autothrust Disengagement

Autothrust disengagement should not cause any unsafe condition (e.g., pitch attitude, pitching moment, or significant thrust transient), to show compliance with CS 25.1329(d), and the disengagement should not preclude, inhibit, or interfere with timely thrust changes for go-around, landing, or other manoeuvres requiring manual thrust changes.

The autothrust normally should be designed to preclude inadvertent disengagement during activation of autothrust modes of operation.

Following disengagement of the autothrust function, positive indication of disengagement should include at least a visual flight crew alert and deletion of autothrust 'engaged' status annunciations (to show compliance with CS 25.1329(k)). For automatic disengagement, visual indications should persist until cancelled by flight crew action. For manual disengagement, if an aural is provided, visual indications should persist for some minimum period. If an aural is not provided, the visual indications should persist until cancelled by flight crew action. For aural indication, if provided, an aural alert of sufficient duration and volume should be provided to assure that the flight crew has been alerted that disengagement has occurred. An extended cycle of an aural alert is not acceptable following disengagement if such an alert can significantly interfere with flight crew coordination or radio communication. Disengagement of the autothrust function is considered a Caution alert.

8.3.2.1 Autothrust Quick Disengagement Control

Autothrust quick disengagement controls must be provided for each pilot on the respective thrust control lever as stated in CS 25.1329(a). A single-action, quick disengagement switch should be incorporated on the thrust control so that switch activation can be executed when the pilot's other hand is on the flight controls. The disengagement control should be positioned such that inadvertent disengagement of the autothrust function is unlikely. Positioning the control on the outboard side has been shown to be acceptable for multiengine aircraft. Thrust lever knob-end-mounted disengagement controls available on both sides to facilitate use by either pilot have been shown to be preferable to those positioned to be accessible by the pilot's palm.

8.4 Flight Crew Override of the FGS

The following sections discuss criteria related to the situation where the flight crew overrides the FGS.

8.4.1 Autopilot

- 1) The autopilot should disengage when the flight crew applies a significant override force to the controls. The applicant should interpret "significant" as a force that is consistent with an intention to overpower the autopilot by either or both pilots. The autopilot should not disengage for minor application of force to the controls (e.g., a pilot gently bumping the control column while entering or exiting a pilot seat during cruise).

NOTE: 111 N (25 lbf) at the control column or wheel has been determined to be a significant override force level for other than approach operations on some aircraft types. To reduce nuisance disengagement, higher forces have been found acceptable for certain approach, landing, and go-around operations on some aircraft types. The force to disengage an autopilot is not necessarily the force required at the column to oppose autopilot control (e.g., cause elevator movement). The corresponding forces for a side stick or centre stick controller may be different.

Under normal conditions, a significant transient should not result from autopilot disengagement when the flight crew applies an override force to the controls (to show compliance with CS 25.1329(d)).

CS-25 BOOK 2

Sustained or incremental application of force below the disengagement threshold should not result in a hazardous condition (e.g., the automatic trim running that results in unacceptable aeroplane motion if the autopilot were to automatically disengage, or when manually disengaged).

- 2) If the autopilot is not designed to disengage in response to any override force, then the response shall be shown to be safe (CS 25.1329 (l)). Under normal conditions, a significant transient should not result from manual autopilot disengagement after the flight crew has applied an override force to the controls (CS 25.1239(d)).

NOTE: The term “override force” is intended to describe a pilot action that is intended to prevent, oppose or alter an operation being conducted by a flight guidance function, without first disengaging that function. One possible reason for this action could be an avoidance manoeuvre (such as responding to a ACAS/TCAS Resolution Advisory) that requires immediate action by the flight crew and would typically involve a rapid and forceful input from the flight crew.

Sustained application of an override force should not result in a hazardous condition. Mitigation may be accomplished through provision of an appropriate Alert and flight crew procedure.

NOTE: The term “sustained application of override force” is intended to describe a force that is applied to the controls that may be small, slow, and sustained for some period of time. This may be due to an inadvertent crew action, or may be an intentional crew action meant to “assist” the autopilot in a particular manoeuvre. See Section 14.1.5.

NOTE: For CWS – refer to Section 11.6

8.4.2 Autothrust

It should be possible for the pilot to readily override the autothrust function and set thrust by moving the thrust levers (or equivalent) with one hand. CS 25.1329(m) requires that the autothrust response to a flight crew override must not create an unsafe condition.

Autothrust functions may be designed to safely remain engaged during pilot override. Alternatively, autothrust functions may disengage as a result of pilot override, provided that the design prevents unintentional autothrust disengagement and adequately alerts the flight crew to ensure pilot awareness.

8.5 FGS Engagement Mode Compatibility

The philosophy used for the mode at engagement of the autopilot, flight director, and autothrust functions should be provided in flight crew training material.

It should not be possible to select incompatible FGS command or guidance functions at the same time (e.g., commanding speed through elevator and autothrust at the same time).

9 Controls, Indications and Alerts

The human-machine interface with the FGS is a key to ensuring safe, effective and consistent FGS operation. The manner in which FGS information is depicted to flight crews is essential to the flight crew awareness, and therefore, the safe operation of the FGS.

The controls, indications, and alerts must be so designed as to minimize flight crew errors and confusion (CS 25.1329(i)). Indications and alerts should be presented in a manner compatible with the procedures and assigned tasks of the flight crew and provide the necessary information to perform those tasks. The indications must be grouped and presented in a logical and consistent manner and be visible from each pilot's station under all expected lighting conditions (CS 25.1329(i)). The choice of colours, fonts, font size, location, orientation, movement, graphical layout and other characteristics such as steady or flashing

CS-25 BOOK 2

should all contribute to the effectiveness of the system. Controls, indications, and alerts should be implemented in a consistent manner.

It is recommended that the applicant evaluate the adequacy and effectiveness of the information provided by the FGS interface (i.e., controls, indications, alerts, and displays) to ensure flight crew awareness of FGS behaviour and operation. See Section 14, Compliance Demonstration using Flight Test and Simulation, for more discussion of appropriate analyses (which may include, for example, cognitive task analysis as a basis for evaluation).

9.1 FGS Controls

The FGS controls should be designed and located to provide convenient operation to each crewmember and to prevent crew errors, confusion and inadvertent operation (CS 25.1329(i)). To achieve this, CS 25.1329 (f) requires that command reference controls to select target values (e.g., heading select, vertical speed) should operate as specified in CS 25.777(b) and 25.779(a) for cockpit controls. The function and direction of motion of each control must be readily apparent or plainly indicated on, or adjacent to, each control if needed to prevent inappropriate use or confusion (CS 25,1329(f)). CS 25.781 also provides requirements for the shapes of the knobs. The design of the FGS should address the following specific considerations:

- Differentiation of knob shape and position. (*Errors have included confusing speed and heading knobs on the mode selector panel.*)
- Design to support correct selection of target values. (*Use of a single control (e.g., concentric controls) for selecting multiple command reference targets has resulted in erroneous target value selection.*)
- Commonality of control design across different aircraft to prevent negative transfer of learning with respect to operation of the controls. (*Activation of the wrong thrust function has occurred due to variation of TOGA and autothrust disengagement function between aeroplane types- negative transfer of learning with respect to operation of the controls.*)
- Positioning of individual FGS controls, FMAs, and related primary flight display information so that, as far as reasonably practical, items of related function have similarly related positions. (*Misinterpretation and confusion have occurred due to the inconsistent arrangement of FGS controls with the annunciations on the FMA.*)
- Design to discourage or avoid inadvertent operation; e.g., engagement or disengagement (to show compliance with CS 25.777(a)).

9.2 Flight Guidance Mode Selection, Annunciation, and Indication

Engagement of the Flight Guidance System functions must be suitably annunciated to each pilot (to show compliance with CS 25.1329(i)), as described in Section 8, Flight Guidance System Engagement, Disengagement, and Override. The FGS mode annunciations must effectively and unambiguously indicate the active and armed modes of operation (CS 25.1329(i)). The mode annunciation should convey explicitly, as simply as possible, what the FGS is doing (for active modes), what it will be doing (for armed modes), and target information (such as selected speed, heading, and altitude) for satisfactory flight crew awareness.

Mode annunciation must indicate the state of the system and not just switch position or selection (CS 25.1329(i)). Mode annunciation should be presented in a manner compatible with flight crew procedures / tasks and consistent with the mode annunciation design for the specific aircraft type (i.e., compatible with other flight deck systems mode annunciations).

Operationally relevant mode changes and, in particular, mode reversions and sustained speed protection, should be clearly and positively annunciated to ensure flight crew awareness. Altitude capture is an example of an operationally relevant mode that should be annunciated because pilot actions may have different effects on the aeroplane. Annunciation of sustained speed protection should be clear and distinct to ensure flight crew awareness. It should be made clear to the pilot if a mode has failed to arm or engage

CS-25 BOOK 2

(especially due to invalid sensor data). FGS sub-modes (e.g., sub-modes as the FGS transitions from localizer capture to localizer track) that are not operationally relevant need not be annunciated.

In-service experience has shown that mode annunciation alone may be insufficient (unclear or not compelling enough) to communicate mode changes to the flight crew, especially in high workload situations. Therefore, the safety consequences of the flight crew not recognizing mode changes should be considered. If necessary, an appropriate alert should be used.

Mode annunciations should be located in the forward field of view (e.g., on the primary flight display). Mode selector switch position or status is not acceptable as the sole means of mode annunciation (CS 25.1329(i)). Modes and mode changes should be depicted in a manner that achieves flight crew attention and awareness. Aural notification of mode changes should be limited to special considerations. Colours, font type, font size, location, highlighting, and symbol flashing have historical precedent as good discriminators, when implemented appropriately. The fonts and font size should be chosen so that annunciation of FGS mode and status information is readable and understandable, without eye strain, when viewed by the pilot seated at the design eye position.

Colour should be used in a consistent manner and assure compatibility with the overall use of colour on the flight deck. Specific colours should be used such that the FGS displays are consistent with other flight deck systems, such as a Flight Management System. The use of monochrome displays is not precluded, provided that the aspects of flight crew attention and awareness are satisfied. The use of graphical or symbolic (i.e., non-textual) indications is not precluded. Implementation of such discriminators should follow accepted guidelines as described in applicable international standards (e.g., AMC 25-11) and should be evaluated for their consistency with and integration with the flight deck design. Engaged modes should be annunciated at different locations and with different colours than armed modes to assist in mode recognition. The transition from an armed mode to an engaged mode should provide an additional attention-getting feature, such as boxing and flashing on an electronic display (per AMC 25-11) for a suitable, but brief, period (e.g., ten seconds), to assist in flight crew awareness.

The failure of a mode to engage/arm when selected by the pilot should be apparent. Mode information provided to the pilot should be sufficiently detailed, so that the consequences of the interaction (e.g., ensuing mode or system configuration that has operational relevance) can be unambiguously determined. The FGS interface should provide timely and positive indication when the flight guidance system deviates from the pilot's direct commands (e.g., a target altitude, or speed setting) or from the pilot's pre-programmed set of commands (e.g., waypoint crossing). The interface should also provide clear indication when there is a difference between pilot-initiated commands (e.g., pilot engages positive vertical speed and then selects an altitude that is lower than the aircraft altitude). The default action taken by the FGS should be made apparent.

The operator should be provided with appropriate description of the FGS modes and their behaviour.

9.3 Flight Guidance Alerting (Warning, Caution, Advisory, and Status)

Alerting information should follow the provisions of CS 25.1322 and associated advisory material. Alerts for FGS engagement and disengagement are described in Section 8, Flight Guidance System Engagement, Disengagement, and Override.

There should be some method for the flight crew to determine and monitor the availability or capability of the Flight Guidance System (e.g., for dispatch), where the intended operation is predicated on the use of the FGS. The method of monitoring provided should take account of the hazard resulting from the loss of the autopilot function for the intended operation.

9.3.1 Alerting for Speed Protection

To assure crew awareness, an alert should be provided when a sustained speed protection condition is detected. This is in addition to any annunciations associated with mode reversions that occur as a consequence of invoking speed protection (see Section 10.4, Speed Protection). Low speed protection alerting should include both an aural and a visual component. High-speed protection alerts need only

CS-25 BOOK 2

include a visual alert component because of existing high-speed aural alert requirements, but does not preclude giving an earlier alert.

Alerting for speed protection should be consistent with the protection provided and with the other alerts in the flight deck. Care should be taken to set appropriate values for indicating speed protection that would not be considered a nuisance for the flight crew.

9.3.2 Loss of Autopilot Approach Mode

The loss of the approach mode requires immediate flight crew awareness. This may be accomplished through autopilot disengagement and related warning (as required by CS 25.1329 (j) and specified in 8.1.2.1 of this AMC). If the autopilot remains engaged and reverts to a non-approach mode, an appropriate aural warning and/or visual alert should be provided.

9.3.3 Awareness of Potential Significant Transient Condition (“Bark before Bite”)

There have been situations where an autopilot is engaged, operating normally, and controlling up to the limit of its authority for an extended period of time, and the flight crew was unaware of the situation. This service experience has shown that, without timely flight crew awareness and action, this situation can progress to a loss of control after autopilot disengagement, particularly in rare normal or non-normal conditions. However, with adequate flight crew awareness and pilot action, loss of control may be prevented.

To help ensure crew awareness and timely action, appropriate alert(s) (generally caution or warning) should be provided to the flight crew for conditions that could require exceptional piloting skill or alertness for manual control following autopilot disengagement (e.g., significantly out of trim). The number and type of alerts required would be determined by the unique situations that are being detected and by the crew procedures required to address those situations. Any alert should be clear and unambiguous, and be consistent and compatible with other flight deck alerts. Care should be taken to set appropriate thresholds for these alerts such that they are not considered a nuisance for the flight crew.

Situations that should be considered for an alert include:

Sustained Lateral Control Command: If the autopilot is holding a sustained lateral control command, it could be indicative of an unusual operating condition (e.g., asymmetric lift due to icing, fuel imbalance, asymmetric thrust) for which the autopilot is compensating. In the worst case, the autopilot may be operating at or near its full authority in one direction. If the autopilot were to disengage while holding this lateral trim, the result would be that the aeroplane would undergo a rolling moment that could possibly take the pilot by surprise. Therefore, a timely alert should be considered to permit the crew to manually disengage the autopilot and take control prior to any automatic disengagement which might result from the condition.

Sustained Longitudinal Out of Trim: If the autopilot is holding sustained longitudinal trim, it could be indicative of an unusual operating condition (e.g., an inoperative horizontal stabilizer) for which the autopilot is compensating. If the autopilot were to disengage while holding this longitudinal trim, the result would be that the aeroplane would undergo an abrupt change in pitch that could possibly take the pilot by surprise. Therefore, a timely alert should be considered to permit the crew to manually disengage the autopilot and take control prior to any automatic disengagement, which might result from the condition.

Bank and Pitch Angles Beyond Those Intended for Autopilot Operations: Most autopilots are designed with operational limits in both the pitch and roll axes, such that those predetermined limits will not be purposely exceeded. If the aeroplane exceeds those limits, it could be indicative of a situation (which may not be covered by items 1. or 2.) that requires the pilot to intervene. Therefore, a timely alert should be considered to bring this condition to the attention of the flight crew to and permit the crew to manually disengage the autopilot and take control prior to any automatic disengagement, which might result.

It is preferable that the autopilot remains engaged during out-of-trim conditions. However, if there is an automatic disengagement feature due to excessive out-of-trim, an alert should be generated and should

CS-25 BOOK 2

precede any automatic disengagement with sufficient margin to permit timely flight crew recognition and manual disengagement. See also Section 8.4, Flight Crew Override of the FGS, for related material.

NOTE: This section is not intended to require alerting for all instances of automatic autopilot disengagement. It is intended only for conditions, which, if not addressed, would lead to such disengagement, which, could result in a significant transient for which the pilot may be unprepared. The intent is to provide crew awareness that would allow the flight crew to be prepared with hands on controls and take appropriate corrective action before the condition results in a potentially hazardous aeroplane configuration or state.

NOTE: This section describes alerting requirements for conditions resulting in unintended out-of-trim operation. There are FGS functions that can intentionally produce out-of-trim operation (e.g. parallel rudder operation in align or engine failure compensation modes, pitch trim operation during the approach/landing to provide trim up/flare spring bias, or pitch trim operation for certain types of Speed/Mach trim systems). It is not the intent of this section to require alerts for functions producing intentional out-of-trim conditions. Other system indications (e.g., mode and status annunciations) should be provided to make the crew aware of the operation of these functions where appropriate.

9.3.4 Failures Affecting Flight Director Guidance

Wherever practicable a failure should cause the immediate removal from view of the guidance information. If the guidance information is retained but a warning given instead, it should be such that the pilot cannot fail to observe it whilst using the guidance information.

9.4 FGS Considerations for Head-Up Displays (HUD)

Head-up displays (HUD) have unique characteristics compared to flight displays installed on the instrument panel. Most of these HUD differences are addressed during HUD certification whether or not the HUD provides flight guidance functions. The intent of this section is to address how such HUD differences may affect FGS functions.

9.4.1 Characteristics of HUD Guidance

If the HUD is designed as a supplemental use display system, it does not replace the requirement for standard Head Down Display (HDD) of flight instrument data. The HUD is intended for use during takeoff, climb, cruise, descent, approach and landing under day, night, VMC and IMC conditions. When it can be reasonably expected that the pilot will operate primarily by reference to the HUD, it should be shown that the HUD is satisfactory for manually controlling the aeroplane and for monitoring the performance of the FGS system.

During take off and landing in certain light and visibility conditions, HUD symbology can be extremely dominant in comparison to external visual references. When visual references are relatively dim, extremely active symbology dynamics and guidance cue gains can lead the pilot to make excessively strong corrections. It should be shown that if HUD guidance cues are followed, regardless of the appearance of external visual references, they do not cause the pilot to take unsafe actions.

Generally the criteria for the mechanization of guidance displayed on the HUD would be no different than guidance displayed on the head-down display. See Section 10, Performance of Function, for flight director performance criteria.

However, unlike head-down displays, HUD's are capable of displaying certain symbology conformal to the outside scene, including guidance cues. Consequently, the range of motion of this conformal symbology, including the guidance, can present certain challenges in rapidly changing and high crosswind conditions. In certain cases, the motion of the guidance and the primary reference cue may be limited by the field of view. It should be shown that, in such cases, the guidance remains usable and that there is a positive indication that it is no longer conformal with the outside scene. It should also be shown that there is no

CS-25 BOOK 2

interference between the indications of primary flight information and the flight guidance cues. In take off, approach, and landing FGS modes, the flight guidance symbology should have priority.

Additionally, HUD guidance is often used in cases, like the low visibility approach, where the pilot will need to reference both the information displayed on the HUD and outside references. Consequently, it should be shown that the location and presentation of the HUD information does not distract the pilot or obscure the pilot's outside view. For example, it would be necessary for the pilot to track the guidance to the runway without having the view of runway references or hazards along the flight path obscured by the HUD symbology.

9.4.2 HUD Flight Guidance System Display

The HUD display should present flight guidance information in a clear and unambiguous manner. Display clutter should be minimized. The HUD guidance symbology should not excessively interfere with pilots' forward view, ability to visually manoeuvre the aeroplane, acquire opposing traffic, and see the runway environment. Some flight guidance data elements are essential or critical and should not be removed by any de-clutter function.

9.4.3 Head-Up/Head-Down Display Compatibility

The HUD FGS symbology should be compatible and consistent with symbology on other FGS displays such as head-down EFIS instruments. The FGS-related display parameters should be consistent to avoid misinterpretation of similar information, but the display presentations need not be identical. The HUD and head-down primary flight display formats and data sources need to be compatible to ensure that the same FGS-related information presented on both displays have the same intended meaning.

While not all information displayed on the HUD is directly related to the FGS, the pilot is likely to use most of the displayed information while using the HUD-displayed guidance and FGS annunciations. Therefore, when applicable, the guidelines below for the presentation of FGS-related display information should be followed as much as possible. Certain deviations from these guidelines may be appropriate due to conflict with other information display characteristics or requirements unique to head-up displays. These may include minimization of display clutter, minimization of excessive symbol flashing, and the presentation of certain information conformal to the outside scene.

- (a) Symbols should be the same format (e.g., a triangle-shaped pointer head-down appears as a triangle pointer head-up; however, some differences in HUD symbology such as the flight director "circle" versus head-down flight director "bars" or "wedge" have been found acceptable);
- (b) Information (symbols) should appear in the same general location relative to other information;
- (c) Alphanumeric readouts should have the same resolution, units, and labelling (e.g., the command reference indication for "vertical speed" should be displayed in the same foot-per-minute increments and labelled with the same characters as the head-down displays);
- (d) Analogue scales or dials should have the same range and dynamic operation (e.g., a Glideslope Deviation Scale displayed head-up should have the same displayed range as the Glideslope Deviation Scale displayed head-down, and the direction of movement should be consistent);
- (e) FGS modes (e.g. autopilot, flight director, autothrust) and status state transitions should be displayed on the HUD, and except for the use of colour, should be displayed using consistent methods (e.g., the method used head-down to indicate a flight director mode transitioning from armed to captured should also be used head-up); and
- (f) Information sources should be consistent between the HUD and the head-down displays used by the same pilot.

CS-25 BOOK 2

(g) When FGS command information (i.e., flight director commands) are displayed on the HUD in addition to the head-down displays, the HUD depiction and guidance cue deviation “scaling” needs to be consistent with that used on the head-down displays. This is intended to provide comparable pilot performance and workload when using either head-up or head-down displays.

(h) The same information concerning current HUD system mode, reference data, status state transitions, and alert information that is displayed to the pilot flying on the HUD, should also be displayed to the pilot not flying using consistent nomenclature to ensure unambiguous awareness of the HUD operation.

9.4.4 Alerting Issues

Although HUD’s are typically not classified as integrated caution and warning systems, they may display warnings, cautions, and advisories as part of their FGS function. In this regard, HUD’s should provide the equivalent alerting functionality as the head-down primary flight display(s). Warnings that require continued flight crew attention on the PFD also should be presented on the HUD (e.g., ACAS/TCAS, Windshear, and Ground Proximity Warning annunciations). If master alerting indications are not provided within the peripheral field of view of the pilot while using the HUD, the HUD should provide annunciations that inform the pilot of Caution and/or Warning conditions (ARP-5288, V12).

For monochrome HUD’s, appropriate use of attention-getting properties such as flashing, outline boxes, brightness, size, and/or location are necessary to adequately compensate for the lack of colour normally assigned to distinguish and call attention to Cautions and warnings.

For multi-colour HUD’s, the use of red, amber, or yellow for symbols not related to Caution and warning functions should be avoided, so that the effectiveness of distinguishing characteristics of true warnings and cautions is not reduced.

Single HUD installations rely on the fact that the non-flying pilot will monitor the head-down instruments and alerting systems, for failures of systems, modes, and functions not associated with primary flight displays.

Dual HUD installations require special consideration for alerting systems. It must be assumed that both pilots will be head-up simultaneously, full, or part-time, especially when the HUD is being used as the primary flight reference, or when the HUD is required equipment for the operation being conducted. If master alerting indications are not provided within the peripheral field of view of each pilot while using the HUD, then each HUD should provide annunciations that direct the pilot’s attention to head-down alerting displays. The types of information that must trigger the HUD master alerting display are any Cautions or warnings not already duplicated on the HUD from head-down primary displays, as well as any Caution level or warning level engine indications or system alerts.

NOTE: The objective is to not redirect attention of the pilot flying to other display when an immediate manoeuvre is required (resolution advisory, windshear).

If a Ground Proximity Warning System (GPWS), wind shear detection system, a wind shear escape guidance system, or a Airborne Collision Avoidance System (ACAS) / Traffic alert and Collision Avoidance System (TCAS) is installed, then the guidance, warnings and annunciations required to be a part of these systems, and normally required to be in the pilot’s primary field of view, should be displayed on the HUD.

9.4.5 Upset/Unusual Attitude Recovery Guidance

Upsets due to wake turbulence or other environmental conditions may result in near instantaneous excursions in pitch and bank angles and a subsequent unusual attitude.

If the HUD is designed to provide guidance for recovery from upsets or unusual attitudes, recovery steering guidance commands should be distinct from, and not confused with, orientation symbology such as horizon “pointers.” For example, a cue for left stick input should not be confused with a cue indicating direction to the nearest horizon. Guidance should be removed if cues become invalid at extreme attitudes,

CS-25 BOOK 2

such as zenith, nadir, or inverted. For extreme attitudes it is acceptable to transition to the HDD, provided that the cues to transition from the HUD are clear and unambiguous.

If the HUD is designed to provide orientation only during upsets or unusual attitudes, cues should be designed to prevent them from being mistaken as flight control input commands.

10 PERFORMANCE OF FUNCTION

The FGS is expected to perform its intended function throughout the aeroplane's normal flight envelope. There are considerations for the FGS when operating at the limits of its performance capabilities and when operating under significant environmental conditions. The following sections provide acceptable means of compliance criteria and interpretive material for these considerations.

Where system tolerances have a significant effect on autopilot authority limits, consideration should be given to the effect on autopilot performance. Factors to be considered include but are not limited to tolerances of: servo authority, servo clutch setting, "cam-out" settings, control friction, and sensor tolerances.

10.1 Normal Performance

The FGS should provide guidance or control, as appropriate, for the intended function of the active mode(s) in a safe and predictable manner within the aeroplane's normal flight envelope.

The FGS should be designed to operate in all aeroplane configurations for its intended use within the aeroplane's normal flight envelope to provide acceptable performance for the following types of environmental conditions:

- Winds (light and moderate)
- Wind gradients (light and moderate)

NOTE: In the context of this AMC, "wind gradient" is considered a variation in wind velocity as a function of altitude, position, or time.

- Gusts (light and moderate)
- Turbulence (light and moderate)
- Icing (trace, light, moderate)

NOTE: Representative levels of the environmental effects should be established consistent with the aeroplane's intended operation.

Any performance characteristics that are operationally significant or operationally limiting should be identified with an appropriate statement or limitation in the Aeroplane Flight Manual (AFM) (Ref. CS 25.1581)..

The FGS should perform its intended function during routine aeroplane configuration or power changes, including the operation of secondary flight controls.

Evaluation of FGS performance for compliance should be based on the minimum level of performance needed for its intended functions. Subjective judgment may be applied to account for experience acquired from similar equipment and levels that have been established as operationally acceptable by the end-user.

There are certain operations that dictate a prescribed level of performance. When the FGS is intended for operations that require specific levels of performance, the use of FGS should be shown to meet those specific levels of performance (e.g., Low Visibility Operations – Category II and III operations, Reduced Vertical Separation Minimums (RVSM), Required Navigation Performance (RNP)).

CS-25 BOOK 2

The FGS performance of intended functions should at least be equivalent to that expected of a pilot for a similar task. The AMC No.2 to CS 25.1329 provides for establishing the general behaviour of the FGS. When integrated with navigation sensors or flight management systems, the FGS should satisfy the flight technical error tolerances expected for the use of those systems in performing their intended functions.

The autopilot should provide smooth and accurate control without perceptible sustained nuisance oscillation.

The flight director, in each available display presentation (e.g., single cue, cross-pointer, flight path director) should provide smooth and accurate guidance and be appropriately damped, so as to achieve satisfactory control task performance without pilot compensation or excessive workload.

The autothrust function should provide smooth and accurate control of thrust without significant or sustained oscillatory power changes or excessive overshoot of the required power setting.

The automatic pitch trim function should operate at a rate sufficient to mitigate excessive control surface deflections or limitations of control authority without introducing adverse interactions with automatic control of the aircraft. Automatic roll and yaw trim functions, if installed, should operate without introducing adverse interactions with automatic control of the aircraft.

10.2 Performance in Rare Normal Conditions

The FGS will encounter a wide range of conditions in normal operations, some of which may be infrequent, but levy a greater than average demand on the FGS capabilities. Certain environmental conditions, as listed below, are prime examples. FGS performance during such rare normal conditions should be assessed. Such conditions may degrade FGS performance, but must be safe for FGS operation. The relative infrequency of such conditions may also be a factor in the flight crew's ability to detect and mitigate, in a timely manner, any limited capability of the FGS to cope with them. The FGS should be limited from operating in environmental conditions in which it cannot be safely operated.

This does not mean that the FGS must be disengaged when rare normal conditions, which may degrade its performance or capability, are encountered. Actually, the FGS may significantly help the flight crew during such conditions. However, the design should address the potential for the FGS to mask a condition from the flight crew or to otherwise delay appropriate flight crew action. See Section 9.3, Flight Guidance Alerting for discussion of alerting under such conditions.

Operations in rare normal environmental conditions may result in automatic or pilot-initiated autopilot disengagement close to the limit of autopilot authority. Autopilot disengagement in rare normal conditions should meet the safety criteria for autopilot disengagement found in Section 8.1 and the criteria for flight guidance alerting in Section 9.3.

For rare normal conditions, the FGS should provide guidance or control, as appropriate for the intended function of the active mode(s), in a safe and predictable manner, both within the normal flight envelope and for momentary excursions outside the normal flight envelope.

The following rare normal environmental conditions should be considered in the design of the FGS:

- Significant winds
- Significant wind gradients
- Windshear (e.g., microburst)

NOTE: For the purpose of this AMC, "windshear" is considered a wind gradient of such a magnitude that it may cause damage to the aircraft. The FGS may also provide suitable autopilot control during windshear. Refer to FAA Advisory Circulars AC 25-12 and AC 120-41 for windshear guidance system requirements.

- Large gusts (lateral, longitudinal, and vertical dimensions)
- Severe and greater turbulence

CS-25 BOOK 2

- Asymmetric icing

10.3 Performance in Non-Normal Conditions

The FGS will occasionally be operating when the aeroplane transitions outside of the normal flight envelope of the aeroplane, when other aeroplane systems experience failure conditions (e.g., inoperative engine, loss of hydraulics) or when the aeroplane experiences certain extraordinary conditions such as significant fuel imbalance, non-standard flap/slat or ferry configurations. Under such circumstances, the FGS characteristics and flight crew interaction with the FGS should be shown to be safe.

10.4 Speed Protection (see 25.1329 (h))

The requirement for speed protection is based on the premise that reliance on flight crew attentiveness to airspeed indications, alone, during FGS operation is not adequate to avoid unacceptable speed excursions outside the speed range of the normal flight envelope. Many existing FGS systems have no provisions to avoid speed excursions outside the normal flight envelope. Some FGS systems will remain engaged until the aircraft slows to stall conditions and also to speeds well above V_{MO}/M_{MO} .

The intent of the rule is for the FGS to provide a speed protection function for all operating modes, such that the airspeed can be safely maintained within an acceptable margin of the speed range of the normal flight envelope.

For compliance with the intent of the rule, other systems, such as the primary Flight Control System or the FMS when in a VNAV mode, may be used to provide equivalent speed protection functionality.

If the FGS is providing speed protection function, the following are acceptable means to comply with this rule:

- The FGS may detect the speed protection condition, alert the flight crew and provide speed protection control or guidance.
- The FGS may detect the speed protection condition, alert the flight crew and then disengage the FGS.
- The FGS may detect the speed protection condition, alert the flight crew, and remain engaged in the active mode without providing speed protection control or guidance.

NOTE: If compliance with this requirement is based on use of alerting alone, the alerts should be shown to be appropriate and timely to ensure flight crew awareness and enable the pilot to keep the aeroplane within an acceptable margin from the speed range of the normal flight envelope. See Section 9.3.1 for additional discussion of speed protection alerting.

The design should consider how and when the speed protection is provided for combinations of autopilot, flight directors, and autothrust operation.

Care should be taken to set appropriate values for transitioning into and out of speed protection that the flight crew does not consider a nuisance.

The speed protection function should integrate pitch and thrust control. Consideration should be given to automatically activating the autothrust function when speed protection is invoked. If an autothrust function is either not provided or is unavailable, speed protection should be provided through pitch control alone.

The role and interaction of autothrust with elements of the FMS, the primary flight control system, and the propulsion system, as applicable, should be accounted for in the design for speed protection.

Consideration should be given to the effects of an engine inoperative condition on the performance of speed protection.

CS-25 BOOK 2

10.4.1 Low Speed Protection

When the FGS is engaged in any modes (with the possible exception of approach as discussed in Section 10.4.1.1) for which the available thrust is insufficient to maintain a safe operating speed, the low speed protection function should be invoked to avoid unsafe speed excursions.

Activation of speed protection should take into account the phase of flight, factors such as turbulence and gusty wind conditions, and be compatible with the speed schedules. The low speed protection function should activate at a suitable margin to stall warning consistent with values that will not result in nuisance alerts. Consider the operational speeds, as specified in the Aeroplane Flight Manual (AFM), for all-engine and engine-inoperative cases during the following phases of flight:

- Takeoff.
- During departure, climb, cruise, descent and terminal area operations aeroplanes are normally operated at or above the minimum manoeuvring speed for the given flap configuration.

NOTE: For high altitude operations, it may be desirable to incorporate low speed protection at the appropriate engine out drift-down speed schedule if the FGS (or other integrated sensors/systems) can determine that the cause of the thrust deficiency is due to an engine failure.

- Approach.

NOTE: A low speed alert and a transition to the speed protection mode at approximately $1.2V_S$, or an equivalent speed defined in terms of V_{SR} , for the landing flap configuration has been found to be acceptable.

- The transition from approach to go-around and go-around climb.

10.4.1.1 Low Speed Protection during Approach Operations

Speed protection should not interfere with the landing phase of flight.

It is assumed that with autothrust operating normally, the combination of thrust control and pitch control during the approach will be sufficient to maintain speed and desired vertical flight path. In cases where it is not, an alert should be provided in time for the flight crew to take appropriate corrective action.

For approach operations with a defined vertical path (e.g., ILS, MLS, GLS, LNAV/VNAV), if the thrust is insufficient to maintain both the desired flight path and the desired approach speed, there are several ways to meet the intent of low speed protection:

- a) The FGS may maintain the defined vertical path as the aeroplane decelerates below the desired approach speed until the airspeed reaches the low speed protection value. At that time the FGS would provide guidance to maintain the low speed protection value as the aeroplane departs the defined vertical path. The FGS mode reversion and low speed alert should be activated to ensure pilot awareness.

NOTE: The pilot is expected to take corrective action to add thrust and return the aeroplane to the defined vertical path or go-around as necessary.

- b) The FGS may maintain the defined vertical path as the aeroplane decelerates below the desired approach speed to the low speed protection value. The FGS will then provide a low speed alert while remaining in the existing FGS approach mode.

NOTE: The pilot is expected to take corrective action to add thrust to cause the aeroplane to accelerate back to the desired approach speed while maintaining the defined vertical path or go-around as necessary.

CS-25 BOOK 2

- c) The FGS may maintain the defined vertical path as the aeroplane decelerates below the desired approach speed until the airspeed reaches the low speed protection value. The FGS will then provide a low speed alert and disengage.

NOTE: The pilot is expected to take corrective action when alerted to the low speed condition and the disengagement of the autopilot, to add thrust and manually return the aeroplane to the desired vertical path or go-around as necessary.

The FGS design may use any one or a combination of these ways to provide acceptable low speed protection.

If the speed protection is invoked during approach such that vertical flight path is not protected, the subsequent behaviour of the FGS after speed protection should be carefully considered. Activation of low speed protection during the approach, resuming the approach mode and reacquiring the defined vertical path, may be an acceptable response if the activation is sufficiently brief and not accompanied by large speed or path deviations.

10.4.1.2 Windshear

The interaction between low speed protection and windshear recovery guidance is a special case. Windshear recovery guidance that meets the criteria found in FAA Advisory Circulars AC 25-12 and AC 120-41 provides the necessary low speed protection when it is activated, and is considered to be acceptable for compliance with CS 25.1329(h). The autopilot should be disengaged when the windshear recovery guidance activates, unless autopilot operation has been shown to be safe in these conditions and provides effective automatic windshear recovery that meets the criteria found in the advisory circulars referenced above.

10.4.2 High Speed Protection

CS 25.1329 (h) states that the means must be provided to avoid excursions beyond an acceptable margin from the speed range of the normal flight envelope V_{MO} and M_{MO} mark the upper speed limit of the normal flight envelope. This is not intended to require, or preclude, high-speed protection based on aeroplane configurations (e.g., flaps).

The following factors should be considered in the design of high-speed protection:

1. The duration of airspeed excursions, rate of airspeed change, turbulence, and gust characteristics.
 - a) Operations at or near V_{MO}/M_{MO} in routine atmospheric conditions (e.g., light turbulence) are safe. Small, brief excursions above V_{MO}/M_{MO} , by themselves, are not unsafe.
 - b) The FGS design should strive to strike a balance between providing adequate speed protection margin and avoiding nuisance activation of high-speed protection.

NOTE: The following factors apply only to designs that provide high-speed protection through FGS control of airspeed.

2. FGS in altitude hold mode:
 - a) Climbing to control airspeed is not desirable, because departing an assigned altitude can be disruptive to ATC and potentially hazardous (for example, in RVSM airspace). It is better that the FGS remain in altitude hold mode.
 - b) The autothrust function, if operating normally, should effect high-speed protection by limiting its speed reference to the normal speed envelope (i.e., at or below V_{MO}/M_{MO}).
 - c) The basic aeroplane high-speed alert should be sufficient for the pilot to recognize the overspeed condition and take corrective action to reduce thrust as necessary. However, if the airspeed exceeds a margin beyond V_{MO}/M_{MO} (e.g., 11 km/h (6 kt)), the FGS may transition from altitude hold to the overspeed protection mode and depart (climb above) the selected altitude.

CS-25 BOOK 2

3. During climbs and descents:

- a) When the elevator channel of the FGS is not controlling airspeed, the autothrust function (if engaged) should reduce thrust, as needed to prevent sustained airspeed excursions beyond V_{MO}/M_{MO} (e.g., 11 km/h (6 kt)), down to the minimum appropriate value.
- b) When thrust is already the minimum appropriate value, or the autothrust function is not operating, the FGS should begin using the elevator channel, as needed, for high-speed protection.
- c) If conditions are encountered that result in airspeed excursions above V_{MO}/M_{MO} , it is preferable for the FGS to smoothly and positively guide or control the aeroplane back to within the speed range of the normal flight envelope.

10.5 Icing Considerations

The FGS typically will be designed to provide acceptable performance in all standard aeroplane configurations. Operating an aeroplane in icing conditions can have significant implications on the aerodynamic characteristics of the aeroplane (e.g., ice accretion on wings, tail, and engines) and, consequently, on FGS performance. Ice accretion may be slow, rapid, symmetric, or asymmetric. During autopilot operation, the flight crew may not be aware of the gradual onset of icing conditions or the affect that the accumulation of ice is having on the handling qualities of the aeroplane.

Means should be provided to alert the flight crew as described in Section 9.3.

The implication of icing conditions on speed protection should be assessed. If the threshold of the stall warning system is adjusted due to icing conditions, appropriate adjustments should also be made to the FGS low speed protection threshold.

11 CHARACTERISTICS OF SPECIFIC MODES

There are certain operational modes of the FGS that have been implemented in different ways in different aeroplanes and systems. The following sections provide guidance and interpretative material that clarifies the operational intent for these modes and provide criteria that have been shown to be acceptable in current operations. The guidance in this section does not preclude other mode implementations.

Pilot understanding of the mode behaviour is especially important to avoid potential confusion and should be clearly annunciated as described in Section 9.2, Flight Guidance Mode Selection, Annunciation, and Indication.

11.1 Lateral Modes

This section discusses modes that are implemented in many flight guidance systems that are used primarily for lateral/directional control of the aeroplane. The criteria below identify acceptable mode operation based on past operational experience gained from the use of these modes.

11.1.1 Heading or Track Hold

In the Heading or Track Hold mode, the FGS should maintain the aeroplane heading or track. For the situation when the aeroplane is in a bank when the Heading or Track Hold mode is engaged, the FGS should roll the aeroplane to a wings-level condition and maintain the heading or track when wings-level is achieved (typically less than 5 degrees of bank angle).

11.1.2 Heading or Track Select

In the Heading or Track Select mode, the FGS should expeditiously acquire and maintain a 'selected' heading or track value consistent with occupant comfort. When the mode is initially engaged, the FGS should turn the aeroplane in a direction that is the shortest heading (or track) change to acquire the new heading (or track). Once the heading/track select mode is active, changes in the selected value should result in changes in heading/track. The FGS should always turn the aeroplane in the same direction as

CS-25 BOOK 2

the sense of the selected heading change (e.g., if the pilot turns the heading select knob clockwise, the aeroplane should turn to the right), even if the shortest heading (or track) change is in the opposite direction (ref. CS 25.779(a)(1)). Target heading or track value should be presented to the flight crew.

11.1.3 Lateral Navigation Mode (LNAV)

In the LNAV mode, the FGS should acquire and maintain the lateral flight path commanded by a flight management function (that is, FMS or equivalent).

If the aeroplane is not established on the desired lateral path or within the designed path capture criteria when LNAV is selected, the FGS LNAV mode should enter an armed state. The FGS should transition from the armed state to an engaged state at a point where the lateral flight path can be smoothly acquired and tracked.

For an FGS incorporating the LNAV mode during the takeoff or go-around phase, the design should specify manoeuvring capability immediately after takeoff, and limits, should they exist. After takeoff or go-around, manoeuvring should be based upon aircraft performance with the objective to prevent excessive roll attitudes where wingtip / runway impact becomes probable, yet satisfy operational requirements where terrain and / or thrust limitations exist.

11.2 Vertical Modes

This section discusses modes that are implemented in many flight guidance systems that are used primarily for pitch control of the aeroplane. The criteria identified reflect operational experience gained from the use of these modes.

To avoid unconstrained climbs or descents, for any altitude transitions when using applicable vertical modes, the altitude select controller should be set to a new target altitude before the vertical mode can be selected. If the design allows the vertical mode to be selected before setting the target altitude, then consideration should be given to the potential vulnerability of unconstrained climb or descent leading to an altitude violation or Controlled Flight into Terrain. Consideration should also be given to appropriate annunciation of the deviation from previously selected altitude and / or subsequent required pilot action to reset the selected altitude.

11.2.1 Vertical Speed Mode

In the Vertical Speed mode, the FGS should smoothly acquire and maintain a selected vertical speed.

Consideration should be given to:

- the situation where the selected value is outside of the performance capability of the aeroplane, or
- use of vertical speed mode without autothrust,

potentially leading to a low-speed or high-speed condition, and corresponding pilot awareness vulnerabilities. See Section 10.4, Speed Protection, for discussion of acceptable means of compliance when dealing with such situations.

11.2.2 Flight Path Angle Mode

In the Flight Path Angle mode, the FGS should smoothly acquire and maintain the selected flight path angle.

Consideration should be given to:

CS-25 BOOK 2

- the situation where the selected value is outside of the performance capability of the aeroplane, or
- use of flight path angle mode without autothrust,

potentially leading to a low-speed or high-speed condition, and corresponding pilot awareness vulnerabilities. Acceptable means of compliance have included a reversion to an envelope protection mode or a timely annunciation of the situation.

11.2.3 Airspeed (IAS)/Mach Hold (Speed on elevator)

In the Airspeed/Mach Hold mode, the FGS should maintain the airspeed or Mach at the time of engagement.

11.2.4 Airspeed (IAS)/Mach Select Mode (Speed on elevator)

In the Airspeed/Mach Select mode, the FGS should acquire and maintain a selected airspeed or Mach. The selected airspeed or Mach may be either pre-selected or synchronized to the airspeed or Mach at the time of engagement.

11.2.5 Flight Level Change (FLCH) (Speed on elevator)

In the FLCH mode, the FGS should change altitude in a coordinated way with thrust control on the aeroplane. The autopilot/flight director will typically maintain speed control through elevator. The autothrust function, if engaged, will control the thrust to the appropriate value for climb or descent.

11.2.6 Altitude Capture Mode

The Altitude Capture mode should command the FGS to transition from a vertical mode to smoothly capture and maintain the selected target altitude with consideration of the rates of climb and descent experienced in service.

In-service experience has shown that certain implementations have the potential to cause pilot confusion that may lead to altitude violations. Accordingly, the following are guidelines for the Altitude Capture mode:

- The Altitude Capture mode should be automatically armed to ensure capture of the selected altitude. Note: If the altitude capture mode is armed at all times, annunciation of the armed status is not required. If the FGS is in Altitude Capture, it should be annunciated.
- The Altitude Capture mode should engage from any vertical mode if the computed flight path will intercept the selected altitude and the altitude capture criteria are satisfied, except as specified during an approach (e.g., when the glidepath for approach mode is active).
- Changes in the climb/descent command references, with the exception of those made by the flight crew using the altitude select controller, should not prevent capture of the target altitude.
- The Altitude Capture mode should smoothly capture the selected altitude using an acceptable acceleration limit with consideration for occupant comfort.
- The acceleration limit may, under certain conditions, result in an overshoot. To minimize the altitude overshoot, the normal acceleration limit may be increased, consistent with occupant safety.
- During Altitude Capture, pilot selection of other vertical modes should not prevent or adversely affect the level off at the target altitude at the time of capture. One means of compliance is to inhibit transition to other pilot-selectable vertical modes (except altitude hold, go-around, and approach mode) during altitude capture, unless the target altitude is

CS-25 BOOK 2

changed. If glidepath capture criteria are satisfied during altitude capture, then the FGS should transition to glidepath capture.

- (g) The FGS must be designed to minimize flight crew confusion concerning the FGS operation when the target altitude is changed during altitude capture. It must be suitably annunciated and appropriate for the phase of flight (CS 25.1329(i)).
- (h) Adjusting the datum pressure at any time during altitude capture should not result in loss of the capture mode. The transition to the pressure altitude should be accomplished smoothly.
- (i) If the autothrust function is active during altitude capture the autopilot and autothrust functions should be designed such that the FGS maintains the reference airspeed during the level-off manoeuvre. For example, if the autopilot changes from speed mode to an altitude capture or control mode, then autothrust should transition to a speed mode to maintain the reference airspeed.

11.2.7 Altitude Hold Mode

The Altitude Hold mode may be entered either by flight crew selection or by transition from another vertical mode.

When initiated by an automatic transition from altitude capture the Altitude Hold mode should provide guidance or control to the selected altitude. The automatic transition should be clearly annunciated for flight crew awareness.

When initiated by pilot action in level flight, the Altitude Hold mode should provide guidance or control to maintain altitude at the time the mode is selected.

When initiated by pilot action when the aeroplane is either climbing or descending, the FGS should immediately initiate a pitch change to arrest the climb or descent, and maintain the altitude when level flight (e.g., <1 m/s (<200 ft/min)) is reached. The intensity of the levelling manoeuvre should be consistent with occupant comfort and safety.

Automatic transition into the Altitude Hold mode from another vertical mode should be clearly annunciated for flight crew awareness.

Any aeroplane response due to an adjustment of the datum pressure should be smooth.

11.2.8 Vertical Navigation Mode (VNAV)

In the VNAV mode, the FGS should acquire and maintain the vertical commands provided by a flight management function (that is, FMS or equivalent).

If the aeroplane is not on the desired FMS path when the VNAV mode is selected, the FGS VNAV mode should go into an armed state, or provide guidance to smoothly acquire the FMS path. The flight crew should establish the aeroplane on a flight profile to intercept the desired FMS path. The FGS should transition from the armed state to an engaged state at a point where the FGS can smoothly acquire and track the FMS path.

When VNAV is selected for climb or descent, the autothrust function (if installed) should maintain the appropriate thrust setting. When levelling after a VNAV climb or descent, the autothrust function should maintain the target speed.

If the aircraft is flying a vertical path (e.g., VNAV Path) the deviation from that path should be displayed in the primary field of view (i.e., the PFD, ND, or other acceptable display).

The FGS should preclude a VNAV climb unless the Mode Selector Panel altitude window is set to an altitude above the current altitude.

Except when on a final approach segment to a runway:

CS-25 BOOK 2

- The FGS should preclude a VNAV descent unless the Mode Selector Panel altitude window is set to an altitude below the current altitude.
- The FGS should not allow the VNAV climb or descent to pass through a Mode Selector Panel altitude.

(See Section 11.5, Special Considerations for VNAV Approach Operations related to selecting a Target Altitude.)

11.3 Multi-axis Modes

This section discusses modes that are implemented in many flight guidance systems that are used in an integrated manner for pitch, lateral/directional control and thrust management of the aeroplane. The criterion identified reflects operational experience gained from the use of these modes.

11.3.1 Takeoff Mode

In the take off mode, the vertical element of the FGS should provide vertical guidance to acquire and maintain a safe climb out speed after initial rotation for takeoff. If no rotation guidance is provided, the pitch command bars may be displayed during takeoff roll but should not be considered as providing rotation guidance unless it is part of the intended function.

If rotation guidance is provided, consideration should be given to the need to show that the use of the guidance does not result in a tail strike and should be consistent with takeoff methods necessary to meet takeoff performance requirements up to 11 m (35 ft) AGL.

The Autothrust function should increase and maintain engine thrust to the selected thrust limits (e.g., full T/O, de-rate).

The FGS design should address all engine and engine-inoperative conditions consistent with the following takeoff system performance after lift-off:

- (a) Takeoff system operation should be continuous and smooth through transition from the runway portion of the takeoff to the airborne portion and reconfiguration for en route climb. The pilot should be able to continue the use of the same primary display(s) for the airborne portion as for the runway portion. Changes in guidance modes and display formats should be automatic.
- (b) The vertical axis guidance of the takeoff system during normal operation should result in the appropriate pitch attitude, and climb speed for the aeroplane considering the following factors:
 - Normal rate rotation of the aeroplane to the commanded pitch attitude, at $V_R-18.5$ km/h (10 kt) for all engines and $V_R-9.3$ km/h (5 kt) for engine out, should not result in a tail-strike.
 - The system should provide commands that lead the aeroplane to smoothly acquire a pitch attitude that results in capture and tracking of the All-Engine Takeoff Climb Speed, $V_2 + X$. X is the All-Engine Speed Additive from the AFM (normally 18.5 km/h (10 kt) or higher). If pitch limited conditions are encountered a higher climb airspeed may be used to achieve the required takeoff path without exceeding the pitch limit.
- (c) For engine-out operation, the system should provide commands that lead the aeroplane to smoothly acquire a pitch attitude that results in capture and tracking of the following reference speeds:
 - V_2 , for engine failure at or below V_2 . This speed should be attained by the time the aeroplane has reached 11m (35 ft) altitude.
 - Airspeed at engine failure, for failures between V_2 and $V_2 + X$.

CS-25 BOOK 2

- $V_2 + X$, for failures at or above $V_2 + X$. Alternatively, the airspeed at engine failure may be used, provided it has been shown that the minimum takeoff climb gradient can still be achieved at that speed.

If implemented, the lateral element of the takeoff mode should maintain runway heading/track or wings level after lift-off and a separate lateral mode annunciation should be provided.

11.3.2 Go-Around Mode

The vertical element of the FGS Go-around mode should initially rotate the aeroplane, or provide guidance to rotate the aeroplane, to arrest the rate of descent. The autothrust function, if installed, should increase thrust and either, maintain thrust to specific thrust limits, or maintain thrust for an adequate, safe climb.

The FGS should acquire and maintain a safe speed during climb out and aeroplane configuration changes. Typically, a safe speed for go-around climb is V_2 , but a different speed may be found safe for windshear recoveries (see FAA Advisory Circular AC 25-12). The lateral element of the FGS should maintain heading/track or wings level.

The autothrust function should not exceed thrust limits (e.g., full go-around thrust or de-rated go-around thrust limits) nor reduce thrust, for winds, below the minimum value required for an adequate, safe climb or reduce thrust lever position below a point that would cause a warning system to activate. The initial go-around manoeuvre may require a significant change in pitch attitude. It is acceptable to reduce thrust to lower the pitch attitude for comfort of the occupants when a safe climb gradient has been established. It should be possible for the pilot to re-select the full thrust value if needed.

The go-around mode should engage even if the MSP altitude is at or below the go-around initiation point. The aeroplane should climb until another vertical mode is selected or the MSP altitude is adjusted to an altitude above the present aircraft altitude.

The FGS design should address all engine and engine-out operation. The design should consider an engine failure resulting in a go-around, and the engine failure occurring during an all engine go-around.

Characteristics of the go-around mode and resulting flight path should be consistent with manually flown go-around.

11.3.3 Approach Mode

In the Approach mode, the FGS should capture and track a final approach lateral and vertical path (if applicable) from a navigation or landing system (e.g., ILS, MLS, GLS, RNP).

The FGS should annunciate all operationally relevant approach mode annunciations. Modes that are armed, waiting for capture criteria to be satisfied, should be indicated - in addition to the active pre-capture mode. A positive indication of the capture of the previously armed mode should be provided.

The FGS may have sub-modes that become active without additional crew selection. An assessment of the significance of these sub-mode transitions to the flight crew should be made. If assessed to be significant (e.g., Flare), positive annunciation of the transition should be provided.

Glideslope capture mode engagement may occur prior to localizer capture. However, it is the flight crew's responsibility to ensure proper safe obstacle/terrain clearance when following vertical guidance when the aeroplane is not established on the final lateral path.

Additional guidance and criteria is contained in CS-AWO.

11.4 Autothrust Modes

This section discusses modes that are implemented in many flight guidance systems that are used primarily for controlling the engines on the aeroplane. The criterion identified reflects operational experience gained from the use of these modes.

CS-25 BOOK 2

11.4.1 Thrust Mode

In the Thrust mode, the FGS should command the autothrust function to achieve a selected target thrust value.

11.4.2 Speed Mode

In the Speed mode, the FGS should command the autothrust function to acquire and maintain the selected target speed value - assuming that the selected speed is within the speed range of the normal flight envelope. The autothrust system may fly a higher airspeed than the selected target speed during takeoff, or during approach when operating in winds or turbulent conditions.

11.4.3 Retard Mode

If such a mode is installed on a specific aircraft, it should work in a similar manner for both automatic and manual landings, when the autothrust function is engaged.

11.5 Special Considerations for VNAV Approach Operations related to selecting a Target Altitude

For approach operations, the FGS vertical modes should allow the pilot to set the target altitude to a missed approach value prior to capturing the final approach segment. This should be possible for capturing from both above and below the final approach segment.

For VNAV Path operations, it should be possible to define a descent path to the final approach fix and another path from the final approach fix to the runway with the target altitude set for the missed approach altitude. Appropriate targets and descent points should be identified by the FMS.

11.6 Control Wheel Steering (Control Steering through the Autopilot)

In the Control Wheel Steering (CWS) mode, the FGS allows the flight crew to manoeuvre the aeroplane through the autopilot. This has implications for control harmony, stability, and crew awareness that need to be thoroughly addressed.

If provided, a CWS mode should meet the following requirements:

- (a) It should be possible for the pilot to manoeuvre the aeroplane using the normal flight controls with the CWS mode engaged and to achieve the maximum available control surface deflection without using forces so high that the controllability specifications of CS 25.143 (d) are not met.
- (b) The maximum bank and pitch attitudes that can be achieved without overpowering the automatic pilot should be limited to those necessary for the normal operation of the aeroplane.

NOTE: Typically 35 degrees in roll and +20 degrees to -10 degrees in pitch

- (c) It should be possible to perform all normal manoeuvres smoothly and accurately without nuisance oscillation. It should be possible also to counter all normal changes of trim due to change of configuration or power, within the range of flight conditions in which control wheel steering may be used, without encountering excessive discontinuities in control force which might adversely affect the flight path.
- (d) The stall and stall recovery characteristics of the aeroplane should remain acceptable. It should be assumed that recovery is made with CWS in use unless automatic disengagement of the automatic pilot is provided.
- (e) In showing compliance with CS 25.143 (g), account should be taken of such adjustments to trim as may be carried out by the automatic pilot in the course of manoeuvres that can reasonably be

CS-25 BOOK 2

expected. Some alleviation may be acceptable in the case of unusually prolonged manoeuvres, provided that the reduced control forces would not be hazardous.

- (f) If the use of this mode for takeoff and landing is to be permitted, it should be shown that:
- i) Sufficient control, both in amplitude and rate is available without encountering force discontinuities;
 - ii) Reasonable mishandling is not hazardous (e.g., engaging the automatic pilot while the elevators or ailerons are held in an out-of-trim position);
 - iii) Runaway rates and control forces are such that the pilot can readily overpower the automatic pilot with no significant deviation in flight path; and
 - iv) Any lag in aircraft response induced by the CWS mode is acceptable for the intended manoeuvre.
- (g) It should not be possible to revert to the CWS mode by applying an input to the control column or wheel unless the autopilot is in a capture mode (e.g., altitude capture, localizer capture). When the force is released, the autopilot should return to the previously engaged capture mode or to the track mode.

NOTE: CWS, if it is provided, is considered to be an autopilot mode, as it is a specific function of the FGS. However, during CWS operation, it is the pilot and not the autopilot that is in control of the aircraft. Operationally, CWS is identical to the pilot flying the aeroplane during manual flight. In both cases, it is the pilot who is in actual control of the flight path and speed of the aeroplane. The only difference is the mechanization of how the actual flight control surfaces are moved. No “automatic” FGS commands are involved during CWS operation. Therefore, sections in this AMC such as those which discuss Speed Protection and performance objectives should be applied to only those autopilot modes with which the FGS is in control of the flight path of the aeroplane and should not be applied to CWS.

NOTE: The terminology “Control Wheel Steering” is currently used by industry to describe several different types of systems. This section is meant to apply only toward those systems that are implemented in a manner as described above. For comparison, several other functions that are similar in nature, but functionally very different, to CWS are described below. This section does not apply to functions of these types.

- Touch Control Steering (TCS) is a function that is available on many business and commuter aircraft. With TCS, a pilot is able to physically disengage the autopilot servos from the flight control system, usually by pushing and holding a button on the control wheel, without causing the autopilot system itself to disengage or lose its currently selected modes. The pilot may then manoeuvre the aeroplane as desired using the aircraft’s flight control system (i.e., the autopilot servos are not part of the control loop). The pilot is then able to reconnect the autopilot servos to the flight control system by releasing the TCS button. Using the new orientation of the aircraft as a basis, the autopilot will then reassume control the aeroplane using the same mode selections as were present before the selection of TCS. This type of system on some aircraft is also sometimes referred to as Control Wheel Steering.
- Also different from CWS is what is referred to as a “supervisory override” of an engaged autopilot. With this function, a pilot is able to physically overpower an engaged autopilot servo by applying force to the flight deck controls. With a supervisory override, the autopilot does not automatically disengage due to the pilot input. This allows the pilot to position the aeroplane as desired using the flight deck controls without first disengaging the autopilot. When the pilot releases the controls, the autopilot reassumes control of the aeroplane using the same mode selections as were present before the supervisory override.
- The descriptions of TCS and supervisory override are intended to be generic. Specific implementations on various aircraft may vary in some aspects.

CS-25 BOOK 2

11.7 Special Considerations for the Integration of Fly-By-Wire Flight Control Systems and FGS

Speed protection features may be implemented in the fly-by-wire flight control system. However, if speed protection is also implemented within the FGS, it should be compatible with the envelope protection features of the fly-by-wire flight control system. The FGS speed protection (normal flight envelope) should operate to or within the limits of the flight control system (limit flight envelope).

Information should be provided to the flight crew about implications on the FGS following degradation of the fly-by-wire flight control systems.

12 FLIGHT GUIDANCE SYSTEM INTEGRATION

Throughout the preceding sections of the document, flight guidance systems and functions have been considered as being separate and distinct from other systems and functions on the aircraft. It is recognized that in complex aircraft designs, the flight guidance functions are closely integrated with other avionics functions, and that the physical integration of these systems, may have a bearing on how aeroplane level safety is assessed. The following paragraphs provide guidance on the likely FGS system integration issues found in more complex aircraft system designs, and the interfaces which should be considered within the bounds of demonstrating the intended function, performance and safety of the FGS.

12.1 System Integration Issues

Integration of other aircraft systems with the FGS has the potential of reducing the independence of failure effects and partitioning between functions. This is particularly the case where hardware and software resources are shared by different systems and functions (e.g., aircraft data highway and Integrated Modular Avionics (IMA) architectures). In addition to considering the reliability and integrity aspects of the FGS as a separate system, it may be necessary to address the effects of FGS failures with respect to fault propagation, detection, and isolation within other systems. The overall effect on the aircraft of a combination of individual system failure conditions occurring as a result of a common or cascade failure, may be more severe than the individual system effect. For example, failure conditions classified under CS 25.1309 as Minor or Major by themselves may have Hazardous effects at the aircraft level, when considered in combination. With regard to isolation of failures, and particularly combination failures, the ability of the alerting system to provide clear and unambiguous information to the flight crew, becomes of significant importance. See also Section 13, Safety Assessment.

Complex and highly integrated avionics issues present greater risk for development error. With non-traditional human-machine interfaces, there is also the potential for operational flight crew errors. Moreover, integration of systems may result in a greater likelihood of undesirable and unintended effects.

Within the FGS, where credit is taken for shared resources or partitioning schemes, these should be justified and documented within the System Safety Analysis. When considering the functional failures of the system, where such partitioning schemes cannot be shown to provide the necessary isolation, possible combination failure modes should be taken into account. An example of this type of failure would be multi-axis active failures, where the control algorithms for more than one axis are hosted on a single processing element. Further, the functional integration of control functions such as control surface trimming, yaw channel, and stability augmentation, while not strictly FGS, should be considered.

12.2 Functional Interfaces

In its simplest form, the FGS may be considered as interfacing with sensors that provide the necessary inputs to enable computation of its various functions. Typically, these sensors will include air and inertial data, engine control, and navigation sensors such as ILS, VOR, and DME. In the case of engine control, a feedback loop may also be provided. The FGS may also be considered as providing inner loop closure to outer loop commands. The most common interface is with the FMS, which provides targets for lateral and vertical navigation in the form of steering orders.

CS-25 BOOK 2

In demonstrating the intended function and performance of both the FGS and systems providing outer loop commands, the applicant needs to address potential inconsistencies between limits of the two (e.g., with basic FGS pitch and bank angle limits). Failure to address these points can result in discontinuities, mode switching, and reversions, leading to erroneous navigation and other possible safety issues (e.g., buffet margin at high altitude). Similar issues arise in the inner loop, across the functional interface between FGS and flight controls. In fly-by-wire aircraft, the loss of synchronization between the two can result in mode anomalies and autopilot disengagement.

The applicant should demonstrate the intended function and performance of the FGS across all possible functional interfaces. The alerting system should also be assessed to ensure that accurate and adequate information is provided to the flight crew when dealing with failures across functional interfaces.

13 SAFETY ASSESSMENT

CS 25.1309 defines the basic safety specifications for airworthiness approval of aeroplane systems and AMC 25.1309 provides an acceptable means of demonstrating compliance with this rule. This section provides additional guidance and interpretive material for the application of CS 25.1309 to the approval of FGS.

A Safety Analysis document should be produced to identify the Failure Conditions, classify their hazard level according to the guidance of AMC 25.1309, and establish that the Failure Conditions occur with a probability corresponding to the hazard classification or are mitigated as intended. The safety assessment should include the rationale and coverage of the FGS protection and monitoring philosophies employed. The safety assessment should include an appropriate evaluation of each of the identified FGS Failure Conditions and an analysis of the exposure to common mode/cause or cascade failures in accordance with AMC 25.1309. Additionally, the safety assessment should include justification and description of any functional partitioning schemes employed to reduce the effect/likelihood of failures of integrated components or functions.

There may be situations where the severity of the effect of a failure condition identified in the safety analysis needs to be confirmed. Laboratory, simulator or flight test, as appropriate, may accomplish the confirmation.

It is recommended that the Safety Analysis plan is coordinated with the regulatory authority early in the certification program.

13.1 FGS Failure Conditions

One of the initial steps in establishing compliance with CS 25.1309 for a system is to identify the Failure Conditions that are associated with that system. The Failure Conditions are typically characterized by an undesired change in the intended function of the system. The Failure Condition statements should identify the impacted functionality, the effect on the aeroplane and/or its occupants, specify any considerations relating to phase of flight and identify any flight crew action, or other means of mitigation, that are relevant.

Functionality - the primary functions of a FGS may include:

- automatic control of the aeroplane's flight path utilizing the aeroplane's aerodynamic control surfaces,
- guidance provided to the flight crew to achieve a particular desired flight path or manoeuvre, through information presented on a head-down or head-up display system, and
- control of the thrust applied to the aeroplane.

Dependent upon the functionality provided in a specific FGS, the failure conditions could potentially impact the following:

- the control of the aeroplane in the pitch, roll and directional axes,
- the control of thrust,
- the integrity and availability of guidance provided to the flight crew,

CS-25 BOOK 2

- the structural integrity of the aeroplane,
- the ability of the flight crew to cope with adverse operating conditions,
- the flight crew's performance and workload,
- the safety of the occupants of the aeroplane.

NOTE: The safety assessment of a FGS for use in supporting takeoff, approach and landing operations in low visibility conditions is further addressed in CS-AWO.

13.2 Type and Severity of Failure Conditions

The type of the FGS Failure Conditions will depend, to a large extent, upon the architecture, design philosophy and implementation of the system. Types of Failure Conditions can include:

- Loss of function – where a control or display element no longer provides control or guidance
- Malfunction – where a control or display element performs in an inappropriate manner which can include the following sub-types:
 - a) Hardover – the control or display goes to full displacement in a brief period of time – the resultant effect on the flight path and occupants of the aeroplane are the primary concern.
 - b) Slowover - the control or display moves away from the correct control or display value over a relatively long period of time – the potential delay in recognizing the situation and the effect on the flight path are the primary concern.
 - c) Oscillatory - the control or display is replaced or augmented by an oscillatory element – there may be implications on structural integrity and occupant well being.

Failure Conditions can become apparent due to failures in sensors, primary FGS elements (e.g., autopilot, flight director, HUD), control and display elements (e.g., servos, primary flight displays), interfacing systems or basic services (e.g., electrical and hydraulic power).

The severity of the FGS Failure Conditions and their associated classifications will frequently depend on the phase of flight, aeroplane configuration and the type of operation being conducted. The effect of any control system variability (e.g., tolerances and rigging) on Failure Condition should be considered. The severity of the Failure Conditions can also be mitigated by various design strategies (see Section 13.3).

Appendix A presents some considerations for use when assessing the type and severity of condition that results from functional failures. The classifications of Failure Conditions that have been identified on previous aeroplane certification programs are identified. The classifications of Failure Conditions should be agreed with the authority during the CS 25.1309 safety assessment process.

With exception of the Catastrophic failure condition, the classification of failure conditions leading to the imposition of airframe loads should be assessed in accordance with CS 25.302. This requires that the structure be able to tolerate the limit load multiplied by a factor of safety associated with the probability of occurrence of the failure mode. The assessment needs to take into account loads occurring during the active malfunction, recovery or continuation of the flight with the system in the failed state.

Complex integrated systems may require that the total effect resulting from single failure be assessed. For example, some failures may result in a number of Failure Conditions occur which, if assessed individually may be considered a Major effects, but when considered in combination may be Hazardous. Special consideration concerning complex integration of systems can be found in Section 12, Flight Guidance System Integration.

13.3 Failure Condition – Mitigation

The propagation of potential Failure Conditions to their full effect may be nullified or mitigated by a number of methods. These methods could include, but are not limited to, the following:

- failure detection and monitoring,
- fault isolation and reconfiguration,

CS-25 BOOK 2

- redundancy,
- authority limiting, and
- flight crew action to intervene.

Means to assure continued performance of any system design mitigation methods should be identified. The mitigation methods should be described in the Safety Analysis/Assessment document or be available by reference to another document (e.g., a System Description document).

The design of typical FGS allows for the de-selection of control and guidance elements. The long-term effects on occupants and any structural implication of oscillatory failures can be mitigated by de-selection.

13.4 Validation of Failure Conditions

The method of validating of Failure Conditions will depend on the effect of the condition, assumptions made and any associated risk. The severity of some Failure Conditions may be obvious and other conditions may be somewhat subjective. If flight crew action is used to mitigate the propagation of the effect of a Failure Condition, the information available to the flight crew to initiate appropriate action (e.g., motion, alerts, and displays) and the assumed flight crew response should be identified. It is recommended that there be early coordination with the regulatory authority to identify any program necessary to validate any of these assumptions.

The validation options for Failure Conditions include:

- Analysis
- Laboratory Testing
- Simulation
- Flight Test

It is anticipated that the majority of Failure Condition can be validated by analysis to support the probability aspect of the CS 25.1309 assessment. The analysis should take account of architectural strategies (e.g., redundant channels, high integrity components, rate limit/magnitude limiting, etc.).

It may be necessary to substantiate the severity of a Failure Condition effect by ground simulation or flight test. This is particularly true where pilot recognition of the failure condition requires justification or if there is some variability in the response of the aeroplane. Failure Conditions that are projected to be less probable than 10^{-7} per flight hour, independent of effect severity, need not be demonstrated in flight-test.

Section 14 – Compliance Demonstration using Flight Test and Simulation - provides guidance on the assessment of 'traditional' Failure Conditions. New and novel functionality may require additional assessment methods to be agreed with the authority.

13.5 Specific Considerations

The following paragraphs identify specific considerations that should be given to potential Failure Conditions for various phases of flight.

13.5.1 FGS Function during Ground Operations

The potential hazard that may result due to inappropriate autopilot, autothrust or other system control action during maintenance operations, while the aeroplane is parked at the gate or during taxi operations should be assessed. System interlocks or crew or maintenance procedures and placards may mitigate these hazards.

13.5.2 FGS Operations in close proximity to the ground

The response of the aeroplane to failures in an automatic flight control system could have implications on the safety of operations when the aeroplane is close to the ground. For the purpose of this advisory

CS-25 BOOK 2

circular, close to the ground can be assumed to be less than 150 m (500 ft) above the lift-off point or touchdown zone or a runway. A specific safety assessment is required if approval is sought for automatic flight control operation where the autopilot is engaged, or remains engaged in close proximity to the ground.

NOTE: Operation in low visibility conditions requires additional consideration and CS AWO Subparts should be used for those additional considerations.

13.5.2.1 Takeoff

If approval is sought for engagement of the autopilot below 150 m (500 ft) after lift-off, an assessment of the effect of any significant FGS failure conditions on the net vertical flight path, the speed control and the bank angle of the aeroplane should be conducted. An Autopilot Minimum Engage Altitude after Takeoff will be established based, in part, on the characteristics of the aeroplane in response to the failures and the acceptability of flight crew recognition of the condition.

A pilot assessment of certain Failure Conditions may be required (see Section 14 – Compliance Demonstration using Flight Test and Simulation). The minimum engagement altitude/height after takeoff based upon the assessment should be provided in the AFM.

13.5.2.1.1 Vertical Axis Assessment

The operational objective during the initial climb is to maintain an appropriate climb profile to assure obstacle clearance and to maintain an appropriate speed profile during climbout (refer to Section 11, Characteristics of Specific Modes).

FGS Failure Conditions should be assessed for the potential for:

- a significant reduction in the net takeoff flight path below 150 m (500 ft),
- a significant increase in pitch attitude that results in the aeroplane speed dropping to unacceptable values.

Failures Conditions with a probability greater than 1×10^{-7} per flight hour that have an effect requiring the pilot to intervene should be evaluated for a potential AFM limitations or procedures.

13.5.2.1.2 Lateral Axis Assessment

The operational objective during the initial climb is to maintain an appropriate heading or track to provide separation from potential adjacent runway operations.

FGS failure conditions should be assessed for the potential for producing a bank angle that results in significant deviation from the runway track or intended track.

Failures Conditions with a probability greater than 1×10^{-7} per flight hour that have an effect requiring pilot action should be evaluated for a potential AFM limitations or procedures.

13.5.2.2 Approach

If the autopilot is to remain engaged below 150 m (500 ft) above the touchdown zone during approach, an assessment of the effect of any significant FGS failure conditions on the net vertical flight path, the speed control and the bank angle of the aeroplane should be conducted. The lowest point on the approach appropriate for the use of the autopilot will be established based on the characteristics of the aeroplane in response to the failure conditions and the acceptability of flight crew recognition of the condition.

A number of approach operations may be conducted using automatic flight control. These can include, but not be limited to, the following:

- ILS, MLS, GLS,
- RNAV (e.g., LNAV and VNAV),

CS-25 BOOK 2

- NAV (e.g., VOR, LOC, Backcourse),
- Open loop flight path management (e.g., Vertical Speed, Flight Path Angle, Track or Heading Select).

Some operations may be conducted with a single autopilot channel engaged and some operations may be conducted with multiple autopilots engaged. The engagement of multiple autopilots may have the effect of mitigating the effect of certain failure conditions. The effectiveness of these mitigation methods should be established.

The type of operation and the prevailing visibility conditions will determine the decision altitude/decision height (DA(H)), or minimum descent altitude or height (MDA(H)), for a particular flight operation. The operation may continue using automatic flight control if the visual requirements are met.

The lowest altitude at which the autopilot should remain engaged could vary with the type of operation being conducted. The resultant flight path deviation from any significant failure condition would impact the autopilot minimum operational use height.

Assessment of certain failure conditions may be required (see Section 14 – Compliance Demonstration using Flight Test and Simulation). The minimum use height for approach should be provided in the AFM.

13.5.2.2.1 Vertical Axis Assessment

The operational objective during the approach is to maintain an appropriate descent profile to assure obstacle clearance and to maintain an appropriate speed profile.

FGS Failure Conditions should be assessed for the potential for:

- a significant reduction in the approach flight path when below 150 m (500 ft) above touchdown,
- a significant increase in pitch attitude that results in the aeroplane speed dropping to unacceptable values.

Failures Conditions with a probability greater than 1×10^{-7} per flight hour that have an effect requiring pilot action should be evaluated for potential AFM limitations or procedures.

13.5.2.2.2 Lateral Axis Assessment

The operational objective during the approach is to maintain an appropriate track to provide alignment with the runway centreline, or intended flight path, to support the landing.

FGS Failure Conditions should be assessed for the potential for producing a bank angle that results in significant deviation from the runway track or intended track.

Failures with a probability greater than 1×10^{-7} per flight hour that have an effect requiring pilot action should be evaluated for appropriate AFM limitations or procedures.

13.5.3 Cruise Operations

The primary concern during cruise operations is the effect the aeroplane response to Failure Conditions may have on the occupants. At a minimum, the accelerations and attitude resulting from any condition should be assessed. The mitigation of the effect of a Failure Condition by the flight crew may not be as immediate as during takeoff and landing operations. Section 14 provides guidance and considerations for this phase of flight.

13.5.4 Asymmetric Thrust during Autothrust Operation

During autothrust operation, it is possible that a failure (e.g., engine failure, throttle lever jam, or thrust control cable jam) could result in significant asymmetric thrust failure condition that may be aggravated by the continued use of the autothrust system. Because the FGS could potentially compensate for the asymmetric condition with roll (and possibly yaw) control, the pilot may not immediately be aware of the

CS-25 BOOK 2

developing situation. Therefore, an alert should be considered as a means of mitigation to draw the pilot's attention to an asymmetric thrust condition during FGS operation.

13.6 Failure to Disengage the FGS

The requirement for quick disengagement for the autopilot and autothrust functions is intended to provide a routine and intuitive means for the flight crew to quickly disengage those functions. The implication of failures that preclude the quick disengagement from functioning should be assessed consistent with the guidelines of AMC 25.1309.

The CS 25.1309 assessment should consider the effects of failure to disengage the autopilot and/or autothrust functions during the approach using the quick disengagement controls. The feasibility of the use of the alternative means of disengagement defined in Section 8.1.2.3 should be assessed.

If the assessment asserts that the aircraft can be landed manually with the autopilot and/or autothrust engaged, this should be demonstrated in Flight Test.

14 COMPLIANCE DEMONSTRATION USING FLIGHT TEST AND SIMULATION

The validation of the performance and integrity aspects FGS operation will typically be accomplished by a combination of the following methods:

- Analysis
- Laboratory Test
- Simulation
- Flight Test

The criteria to be used for establishing compliance with CS 25.1301, 25.1309 and 25.1329 may be found in Sections 8, 9, 10, 11, 12, and 13 of this document. The type and extent of the various validation methods may vary dependent upon the FGS functionality, certification considerations, the applicant's facilities, and various practicality and economic constraints.

This section focuses on compliance demonstration by flight test or simulation with flight crew participation. The section includes the evaluation necessary to confirm acceptable performance of intended functions, including the human-machine interface, and the acceptability of failure scenarios. The specific requirements for flight or simulator evaluation will consider the specifics of the applicant's design, the supporting engineering analysis and the scope and depth of the applicants laboratory testing.

The certification flight test program should investigate representative phases of flight and aircraft configurations used by the FGS. The program should evaluate all of the FGS modes throughout appropriate manoeuvres and representative environmental conditions, including turbulence. Combinations of FGS elements (e.g., autopilot engaged and autothrust disengaged) should be considered. Certain failure scenarios may require flight or simulator demonstration. The aeroplane should contain sufficient instrumentation such that the parameters appropriate to the test are recorded (e.g. normal acceleration, airspeed, height, pitch and roll angles, autopilot engagement state). The flight test instrumentation should not affect the behaviour of the autopilot or any other system.

Figure 14-1 depicts the relationship between this section and the rest of the document.

An important part of the pilot in the loop evaluation is validation of human factors. A thorough evaluation of the human-machine interface is required to ensure safe, effective, and consistent FGS operation. Portions of this evaluation will be conducted during flight test. Representative simulators can be used to accomplish the evaluation of human factors and workload studies. The level and fidelity of the simulator used should be commensurate with the certification credit being sought and its use should be agreed with the regulatory authority.

If the FGS includes takeoff and/or approach modes, the criteria in CS-AWO Subparts 1, 2, 3 and 4 should be considered for applicability in developing the overall and integrated flight test and simulation requirements. AMC No.2 to CS 25.1329 contains procedures that may be used to show compliance.

CS-25 BOOK 2

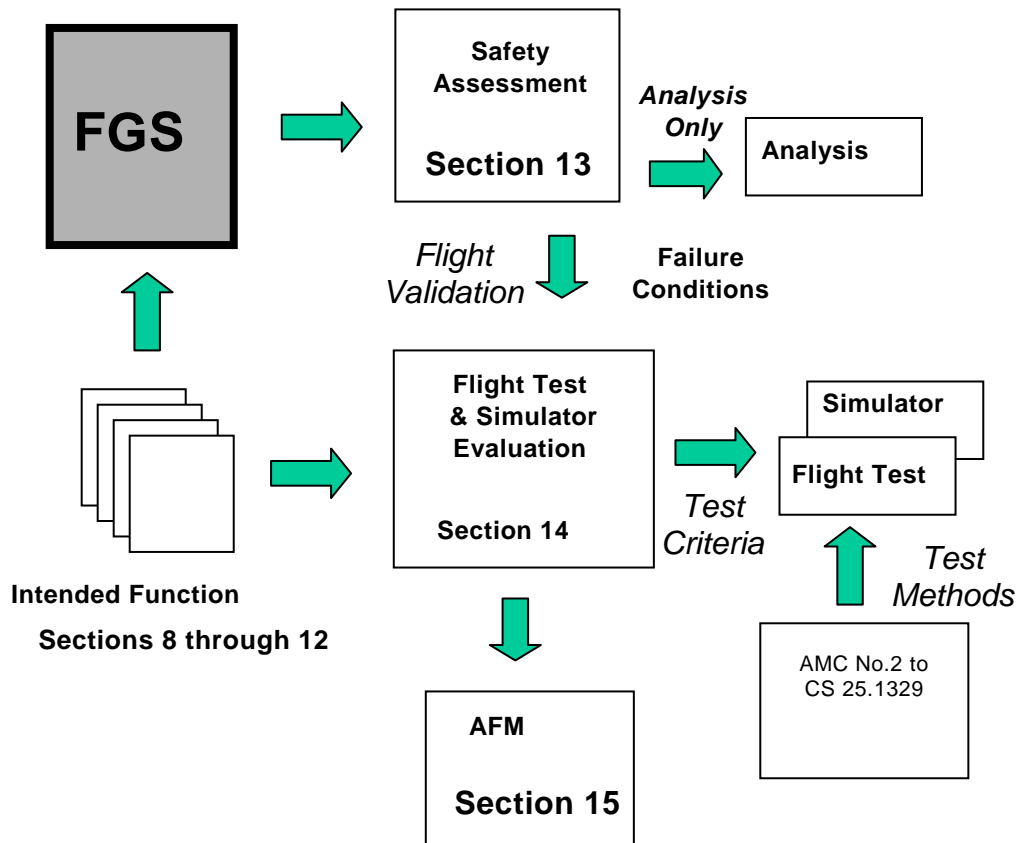


Figure 14-1

14.1 Performance Demonstration (Fault Free) – CS 25.1301

The Certification Plan should identify the specific functionality provided by the FGS. The flight test and/or simulator program will typically assess this functionality under representative operational conditions including applicable aeroplane configurations and a representative range of aeroplane weight, centre of gravity and operational envelope.

The performance of the FGS system in each of its guidance and control modes should be evaluated. The acceptability of the performance of the FGS may be based on test pilot assessment, taking into account the experience acquired from similar equipment capabilities, and the general behaviour of the aeroplane. The level of acceptable performance may vary according to aeroplane type and model. The FGS should be evaluated for its low and high manoeuvring capability. AMC No.2 to CS 25.1329 may provide additional information on FGS test procedures.

The acceptability of mode controls and annunciations, any associated alerts and general compatibility with cockpit displays should be evaluated. The FGS should be free from unexpected disengagement and confusion resulting from changing FGS modes. Additional considerations relating to the assessment of Human Factors is provided in Section 14.5.

14.1.1 Normal Performance

Normal performance is considered to be performance during operations well within the aeroplane's flight envelope and with routine atmospheric and environmental conditions. Normal performance should be demonstrated over a range of conditions that represent typical conditions experienced in operational use.

The FGS should be evaluated to determine the acceptability of the following characteristics:

- The stability and tracking of automatic control elements

CS-25 BOOK 2

- The flyability and tracking of guidance elements
- The acquisition of flight paths for capture modes
- Consistency of integration of modes (Section 12)

Performance should be assessed in the presence of errors that can reasonably be expected in operation (e.g., mis-selection of approach speed).

14.1.2 Rare Normal Performance

Rare normal performance is considered to be performance of the system under conditions that are experienced infrequently by the aeroplane during operational use. These conditions may be due to significant environmental conditions (e.g., significant wind, turbulence, etc.) or due to non-routine operating conditions (e.g., out-of-trim due to fuel imbalance or under certain ferry configurations, or extremes of weight and c.g. combinations). Specific rare normal conditions are discussed below

The test program should assess the FGS performance in more challenging operational environments e.g., winds, wind gradients, various levels of turbulence. Rare environmental conditions may require the FGS to operate at the limits of its capabilities. The intent of the evaluation is to assess the performance of the FGS under more demanding conditions that may be experienced infrequently in-service.

Due to the severity of some environmental conditions, it is not recommended, or required, that the FGS flight evaluations include demonstration in severe and extreme turbulence, or include flights into a microburst. These conditions are more appropriately addressed by simulator evaluation.

The FGS should be evaluated to determine the acceptability of the following characteristics:

- The stability of automatic control elements and ability to resume tracking following any upset
- The flyability of guidance elements and ability to resume tracking following any upset
- The acceptability of mode transitions and overall cockpit system integration.

14.1.2.1 Icing Considerations

The implications of continued use of the automatic flight control elements of the FGS in icing conditions should be assessed. Ice accumulation on the aeroplane wings and surfaces can progressively change the aerodynamic characteristics and stability of the aeroplane. Even though the FGS may perform safely under these conditions, its continued use may mask this change which in turn can lead to pilot handling difficulties and potential loss of control, should the autopilot become disengaged (either automatically or manually).

A test program should assess the potential vulnerability of the FGS to icing conditions by evaluating autopilot performance during ice shape tests or during natural icing tests. Sufficient autopilot testing should be conducted to ensure that the autopilot's performance is acceptable.

In general, it is not necessary to conduct an autopilot evaluation that encompasses all weights, centre of gravity positions (including lateral asymmetry), altitudes and deceleration device configurations. However, if the autopilot performance with ice accretion shows a significant difference from the non-contaminated aeroplane, or testing indicates marginal performance, additional tests may be necessary.

FGS performance and safety in icing conditions should be demonstrated by flight test and/or simulation tests, supported by analysis where necessary.

If significant autopilot inputs are required to compensate for the icing conditions, then the acceptability of the indication of a significant out of trim condition should be made and the subsequent response of the aeroplane when the autopilot disengages (manual or automatic) should be determined (Refer to Sections 8.1.2 and 9.3.3).

If the aeroplane is configured with a de-icing system, the autopilot should demonstrate satisfactory performance during the shedding of ice from the aeroplane.

CS-25 BOOK 2

Where degradation is noted which is not significant enough to require changes to the autopilot system or to de-icing/anti-icing systems, appropriate limitations and procedures should be established and presented in the AFM.

14.1.2.2 Windshear

If the FGS provides windshear escape guidance, performance demonstration requirements should be conducted consistent with FAA AC 25-12.

14.1.2.3 Indication and Response to an Out of Trim Condition

An assessment should be performed to determine the acceptability of the out of trim annunciation and subsequent response to disengagement (Refer to Section 9.3.3).

14.1.3 Specific Performance Conditions

The following paragraphs identify specific performance conditions requiring evaluation by flight test and/or simulation.

14.1.3.1 Low Speed Protection

The FGS should be assessed for the acceptability of the low speed protection performance under the following conditions:

- High Altitude Cruise with a simulated engine failure.
- Climb to Altitude Capture at Low Altitude with a simulated engine failure during capture
- Vertical Speed with insufficient climb power
- Approach with speed abuse

14.1.3.2 High-speed Protection

The FGS should be assessed for the acceptability of the high-speed protection performance under the following conditions:

- High altitude level flight with Autothrust function
- High altitude level flight without Autothrust function
- High altitude descending flight with Autothrust function

14.1.3.3 Go-around

The objective of the go-around mode (refer to Section 11.3.2) is to quickly change the flight path of the aeroplane from approach to landing to a safe climbout trajectory. The mode has specific utility in low visibility conditions when operations are predicated on a decision altitude/height (DA/H) and a go-around is necessary if visual references are not acquired at the DA/H. Therefore, the assessment of the go-around mode may be conducted in conjunction with the evaluation of the FGS to support low visibility operations, using additional criteria contained in FAA AC 120-28D, AC 120-29A and CS AWO Subparts 2 or 3.

The flight evaluation should be conducted to assess the rotation characteristics of the aeroplane and the performance of the aeroplane in acquiring and maintaining a safe flight path. The acceptability of the operation if contact is made with the runway during the missed approach or bailed landing should be established.

A demonstration program should be established that confirms acceptable operation when the following factors are considered:

CS-25 BOOK 2

- Aeroplane weight and CG
- Various landing configurations
- Use of manual thrust or autothrust
- Consequences of thrust de-rates with selection of Go around mode
- An Engine Failure at the initiation of Go-around
- An Engine failure during GA – after go-around power is reached
- Initiation altitude (e.g., in ground effect or not, during flare)

The following characteristics should be evaluated:

- The pitch response of the aeroplane during the initial transition
- Speed performance during aeroplane reconfiguration and climbout
- Integrated autopilot and autothrust operation
- Transition to Missed Approach Altitude
- Lateral performance during an engine failure

Where height loss during a go-around manoeuvre is significant or is required to support specific operational approval, demonstrated values for various initiation heights should be included in the AFM.

14.1.3.4 Steep Approach (Special Authorization)

Typical approach operations include glidepath angles between 2.5 and 3.5 degrees. Application for approval to conduct operations on glidepath angles of greater than 3.5 degrees requires additional evaluation. For such an approval, the FGS flight test and simulator demonstration should include:

- Approach path capture, tracking and speed control
- Recovery of the system from abuse cases e.g. glidepath angle and speed
- Assessment of autopilot disengagement transient
- Demonstration of go-around mode from a Steep Approach

For autopilot use at approach angles greater than 4.5 degrees the applicant is recommended to contact EASA for the applicable Special Condition criteria

14.1.4 Flight Director / HUD Considerations

The guidance aspect of an FGS may be provided by a head down Flight Director (F/D) or by a Head-Up Display (HUD) system. F/D's can utilize various guidance cues (e.g., cross pointer, single cue, flight path vector, etc.) whilst HUD's typically use a symbology linked to a flight path vector. The guidance elements may have a fixed aeroplane reference (e.g., the traditional F/D) or may use a moving reference such as a flight path vector. Various new display mediums are evolving (e.g., EVS and SVS) that may integrate guidance elements with situational elements.

The flight test or simulator program should demonstrate that the F/D or HUD guidance elements provide smooth, accurate and damped guidance in all applicable modes, so as to achieve satisfactory control task performance without pilot compensation or excessive workload.

The flight director guidance should provide adequate performance for operations with:

- stability augmentation off
- alternate fly-by-wire control modes (e.g., direct law), if any
- an engine inoperative.

CS-25 BOOK 2

Some pilot compensation may be acceptable for these conditions

Flight directors designed to work with a non-stationary tracking reference (such as a flight path angle or flight path vector which are commonly used with HUD guidance) should be evaluated in conditions which bring these guidance symbols to the field of view limits of the display. Crosswinds, and certain combinations of airspeed, gross weight, centre of gravity and flap/slat/gear configurations might cause such conditions. At these limits, the dynamics of the guidance response to pilot control inputs can differ with potentially adverse effects on tracking performance, pilot compensation and workload.

Movement of the flight director and its tracking reference should also be demonstrated not to interfere with primary instrument references throughout their range of motion. The pilot's ability to interpret the guidance and essential flight information should not be adversely affected by the movement dynamics or range of motion.

14.1.4.1 Specific Demonstrations for Head-Up Display

These demonstrations are intended to show compliance with the following paragraphs of this AMC:

- Section 8.2 Flight Director Engagement/Disengagement and Indications, with its subparagraphs
- Section 9.2 Flight Guidance Mode Selection, Annunciation and Indication
- Section 9.4 FGS Considerations for Head-Up Displays (HUD)
- Section 10.1 Normal Performance (specifically criteria for flight director guidance)

When the pilot flying (PF) is using the HUD, the HUD is where the pilot is looking for the basic flight information and the pilot is less likely to be scanning the head down instruments. Therefore:

- It should be demonstrated that the location and presentation of the HUD information (e.g., guidance, flight information and alerts/annunciations) does not distract the pilot or obscure the pilot's outside view. For example, the pilot should be able to track the guidance to the runway without having the view of runway references or hazards along the flight path obscured by the HUD symbology.
- It should be demonstrated that pilot awareness of primary flight information, annunciations and alerts is satisfactory when using any HUD display mode. Some display modes that are designed to minimize "clutter" could degrade pilot awareness of essential information. For example, a "digital-only" display mode may not provide sufficient speed and altitude awareness during high-speed descents.
- It should be demonstrated that the pilot could positively detect cases when conformal symbology is field of view limited.
- Approach mode guidance, if provided, should be satisfactory throughout the intended range of conditions, including at the minimum approach speed and maximum crosswind, with expected gust components, for which approval is sought.
- It should be demonstrated that visual cautions and warnings associated with the flight guidance system can be immediately detected by the pilot flying while using the HUD.
- It should be demonstrated that the pilot flying can immediately respond to windshear warnings, ground proximity warnings, ACAS/TCAS warnings, and other warnings requiring immediate flight control action, such as a go-around, while using the HUD without having to revert to a head down flight display.

In certain phases of flight, it is important from a flight crew coordination standpoint that the pilot not flying (PNF) be aware of problems with the HUD used by the PF. Therefore it should also be demonstrated that the PNF could immediately be made aware of any visual cautions and warnings associated with the HUD for applicable phases of flight.

If approach mode guidance is provided, satisfactory performance should be demonstrated throughout the intended range of operating conditions for which approval is sought e.g. at the minimum approach speed and maximum crosswind, with expected gust components.

CS-25 BOOK 2

If recovery guidance is provided, it should be demonstrated that the pilot could immediately detect and recover from unusual attitudes when using the HUD. Specialized unusual attitude recovery symbology, if provided, should be shown to provide unequivocal indications of the attitude condition (e.g., sky/ground, pitch, roll, and horizon) and to correctly guide the pilot to the nearest horizon. The stroke presentation of flight information on a HUD may not be as inherently intuitive for recognition and recovery as the conventional head down attitude display (e.g., contrasting colour, area fill, shading vs. line strokes). The HUD display design needs to be able to compensate for these differences to provide adequate pilot recognition and recovery cues.

14.1.4.2 Simulator Demonstration for Head-Up Display (HUD)

If a pilot-in-the-loop flight simulation is used for some demonstrations, then a high fidelity, engineering quality facility is typically required. The level of simulator may vary with the functionality being provided and the types of operation being conducted. Factors for validation of the simulation for demonstration purposes include the following:

- guidance and control system interfaces
- motion base suitability
- adequacy of stability derivative estimates used
- adequacy of any simplification assumptions used for the equations of motion;
- fidelity of flight controls and consequent simulated aircraft response to control inputs
- fidelity of the simulation of aircraft performance
- adequacy of flight deck instruments and displays
- adequacy of simulator and display transient response to disturbances or failures (e.g., engine failure, auto-feather, electrical bus switching)
- visual reference availability, fidelity, and delays
- suitability of visibility restriction models such as appropriate calibration of visual references for the tests to be performed for day, night, and dusk conditions as necessary
- fidelity of any other significant factor or limitation relevant to the validity of the simulation.

Adequate correlation of the simulator performance to flight test results should be made.

14.1.5 Flight Crew Override of the Flight Guidance System

A flight evaluation should be conducted to demonstrate compliance with Section 8.4. The flight evaluation should consider the implication of system configuration for various flight phases and operations.

14.1.5.1 Autopilot Override

Effect of flight crew override should be assessed by applying an input on the cockpit controller (control column, or equivalent) to each axis for which the FGS is designed to disengage, i.e. the pitch and roll yoke, or the rudder pedals (if applicable).

If the autopilot is designed such that it does not automatically disengage due to a pilot override, verify that no unsafe conditions are generated due to the override per Section 8.4. The evaluation should be repeated with progressively increasing rate of force application to assess FGS behaviour. The effects of speed and altitude should be considered when conducting the evaluation.

If the design of the autopilot provides for multiple channel engagement for some phases of flight that results in a higher override force, these conditions should be evaluated.

14.1.5.2 Autothrust Override

The capability of the flight crew to override the autothrust system should be conducted at various flight phases. The evaluation should include an override of the autothrust system with a single hand on the

CS-25 BOOK 2

thrust levers while maintaining control of the aeroplane using the opposite hand on the control wheel (or equivalent). This action should not result in an unsafe condition per Section 8.4, either during the override or after the pilot releases the thrust levers. If the autothrust system automatically disengages due to the override, the alerts that accompany the disengagement should be assessed to ensure flight crew awareness.

14.1.5.3 Pitch Trim System Evaluation during an Autopilot Override

The effect of flight crew override during automatic control on the automatic trim systems should be conducted. The pilot should then apply an input to the pitch cockpit controller (i.e., control column or sidestick) below that which would cause the autopilot to disengage and verify that the automatic pitch trim system meets the intent in Section 8.4.

If the system design is such that the autopilot does not have an automatic disengagement on override feature, the pilot should initiate an intentional override for an extended period of time. The autopilot should then be disengaged, with the Quick Disconnect Button, and any transient response assessed in compliance with Section 8.4. The effectiveness and timeliness of any Alerts used to mitigate the effects of the override condition should be assessed during this evaluation.

14.2 Failure Conditions Requiring Validation – CS 25.1309

The Safety Assessment process identified in Section 13 should identify any Failure Condition responses that would require pilot evaluation to assess the severity of the effect, the validity of any assumptions used for pilot recognition and mitigation. The classification of a Failure Condition can vary according to flight condition and may need to be confirmed by simulator or flight test.

This section provides guidance on the test criteria, including recognition considerations, for flight evaluation of these Failure Conditions. In addition, certain probable failures should be demonstrated to assess the performance of the FGS and the adequacy of any applicable flight crew procedures.

AMC No. 2 to CS 25.1329, Flight Testing of Flight Guidance Systems, provides guidance on test methods for particular types of Failure Condition that have been identified by the Safety Assessment.

14.2.1 Validation Elements

The Safety Assessment described in Section 13 establishes the FGS Failure Condition for which appropriate testing should be undertaken. Assessment of Failure Conditions has four elements:

- Failure Condition insertion
- Pilot recognition of the effects of the Failure Condition
- Pilot reaction time; i.e., the time between pilot recognition of the Failure Condition and initiation of the recovery
- Pilot recovery

14.2.1.1 Failure Condition

Failure Conditions of the autopilot including, where appropriate, multi-axis failures and automatic-trim failures, should be simulated such that when inserted represents the overall effect of each Failure Condition.

Where necessary, Flight Director Failure Conditions should be validated in accordance with the criteria for the respective phase of flight.

The flight conditions under which the failure condition is inserted should be the most critical (e.g., centre of gravity, weight, flap setting, altitude, speed, power or thrust). If an autothrust system is installed, the tests should be performed with the autothrust system engaged or disengaged whichever is the more adverse case.

CS-25 BOOK 2

14.2.1.2 Pilot Recognition

The pilot may detect a Failure Condition through aeroplane motion cues or by cockpit flight instruments and alerts. The specific recognition cues will vary with flight condition, phase of flight and crew duties.

- a) Hardover – the recognition point should be that at which a pilot operating in non-visual conditions may be expected to recognize the need to take action. Recognition of the effect of the failure may be through the behaviour of the aeroplane (e.g., in the pitch axis by aircraft motion and associated normal acceleration cues and in the roll axis by excessive bank angle), or an appropriate alerting system. Control column or wheel movements alone should not be used for recognition. The recognition time should not normally be less than 1 second. If a recognition time of less than 1 second is asserted, specific justification will be required (e.g. additional tests to ensure that the time is representative in the light of the cues available to the pilot).
- b) Slowover – this type of Failure Conditions is typically recognized by a path deviation indicated on primary flight instruments (e.g., CDI, altimeter and vertical speed indicator). It is important that the recognition criteria are agreed with the regulatory authority. The following identify examples of recognition criteria as a function of flight phase:
 - En-route cruise – recognition through the Altitude Alerting system can be assumed for vertical path deviation. The lateral motion of the aeroplane may go unrecognised for significant period of time unless a bank angle alerting system is installed.
 - Climb and Descent – recognition through increasing/decreasing vertical speed and/or pitch or roll attitude or heading can be assumed.
 - On an Approach with vertical path reference - A displacement recognition threshold should be identified and selected for testing that is appropriate for the display(s) and failure condition(s) to be assessed.

NOTE:

- (1) For an ILS or GLS approach in a significant wind gradient, a value of 1 dot is considered a reasonable value for crew recognition. In smooth atmospheric conditions with steady state tracking, with the vertical flight path typically maintained at less than a fraction of a needle width, a detection and recognition threshold even below 1/2 dot may be suitable.
 - (2) For RNAV systems, which do not use dots, some multiple of needle width, related to an established crew monitoring tolerance of normal performance may be appropriate (e.g., x needle widths of deviation on the VNAV scale).
 - (3) Credit may be taken for excessive deviation alerts, if available.
- On an Approach without vertical path reference – criteria similar to the climb/descent condition can be assumed.
- c) Oscillatory – it is assumed that oscillatory failures that have structural implications are addressed under CS 25.302. It can be assumed that the flight crew will disengage the automatic control elements of the FGS that have any adverse oscillatory effect and will not follow any adverse oscillatory guidance. However, if there are any elements of the FGS that can not be disconnected in the presents of an oscillatory Failure Condition, the long term effects on crew workload and the occupants will need to be evaluated.

14.2.1.3 Pilot Reaction Time

The pilot reaction time is considered to be dependent upon the pilot attentiveness based upon the phase of flight and associated duties. The following assumptions are considered acceptable:

- a) Climb, Cruise, Descent and Holding – Recovery action should not be initiated until three seconds after the recognition point

CS-25 BOOK 2

- b) Manoeuvring Flight - Recovery action should not be initiated until 1 second after the recognition point
- c) Approach - the demonstration of malfunctions should be consistent with operation in non-visual conditions. The pilot can be assumed to be carefully monitoring the aeroplane performance and will respond rapidly once the malfunction has been recognized. A reaction time of 1 second between recognition point and initiation of recovery is appropriate for this phase of flight.

NOTE:

- (i) For the final phase of landing (e.g., below 25 m (80 ft)), the pilot can be assumed to react upon recognition without delay.
- (ii) For phases of flight where the pilot is exercising manual control using control wheel steering, if implemented, the pilot can be assumed to commence recovery action at the recognition point.

14.2.1.4. Pilot Recovery

Pilot recovery action should be commenced after the reaction time. Following such delay the pilot should be able to return the aeroplane to its normal flight attitude under full manual control without engaging in any dangerous manoeuvres during recovery and without control forces exceeding the values given in CS 25.143 (d). During the recovery the pilot may overpower the automatic pilot or disengage it.

For the purpose of determining the minimum height at which the autopilot may be used during an approach, or for height loss assessments, a representative recovery appropriate to the aeroplane type and flight condition should be performed. This manoeuvre should not lead to an unsafe speed excursion to resume a normal flight path. An incremental normal acceleration in the order of 0.5 g is considered the maximum for this type of manoeuvre.

14.2.2 Takeoff

The primary concern for the takeoff phase of flight is the effect of the worst case Failure Condition, identified by the Safety Assessment, on the net flight of the aeroplane after takeoff and the aeroplane's attitude and speed during climbout. The effects should be evaluated in the pitch up, pitch down and bank as applicable.

If the FGS provides on runway guidance for takeoff, the effect of the failures on that takeoff guidance should be assessed in accordance with CS AWO Subpart 4.

14.2.3 Climb, Cruise, Descent and Holding

Where the Safety Analysis identifies a Failure Condition requiring flight/simulator evaluation with pilot assessment, the height loss should be established in accordance with the method described in the flight test procedures – see AMC No. 2 to CS 25.1329, section 4.2.3.3.

14.2.4 Manoeuvring

Where the Safety Analysis identifies a Failure Condition that has a dynamic effect on the roll control of the aeroplane, the Failure Condition should be introduced at the bank angle for normal operation. The bank angle should not exceed 60 degrees when the pilot recognition and recover times identified above are applied.

14.2.5 Approach

A discussion of the operational considerations for approach operations is contained in Section 14.3. This section identifies test criteria to support those considerations. The safety assessment process should identify the demonstration of specific Failure Conditions during the approach.

CS-25 BOOK 2

The fault demonstration process during approach should include the four phases identified in Section 14.2.1. The Failure Condition should be inserted at a safe but representative height. The deviation profile should be identified and applied as indicated in the later sections.

14.2.5.1 Approach with Vertical Path Reference

Approach with vertical path reference includes xLS and RNAV operations.

a) xLS (ILS, MLS, GLS)

ILS and MLS operations are typically conducted on instrument approach procedures designed in accordance with United States TERPS or ICAO PANS-OPS criteria, or equivalent. These criteria together with ICAO Annex 14 are generally intended to take into account obstacles beneath a reference obstacle identification surface. It is expected that the same or equivalent criteria will be applied to GLS operations. Hence, in assessing the implication of the effect of failures during autopilot operations a reference 1:29 slope penetration boundary has been applied against the deviation profile to identify an appropriate altitude for continued autopilot operation. The 1:29 slope has been found to provide an acceptable margin above obstacles on an approach.

The worst case Failure Condition identified by the Safety Assessment (see Section 13.4) should be demonstrated against the deviation profile criteria and a Minimum Use Height (MUH) established (See AMC No.2 to CS 25.1329, Section 4.2.3.2).

b) RNAV

For RNAV coupled approach operations, a vertical flight path similar to an xLS flight path will be used (e.g., 3° path starting 15 m (50 ft) above the threshold). However, due to sensor characteristics it is assumed that RNAV operations will be conducted with a DA(H) or MDA(H) that is higher than an equivalent MUH on an xLS approach to the same runway. Further, for this type of operation it should be noted that the MUH is always in the visual segment of the approach, where it is assumed that the failure recognition and recovery are conducted with the pilot having established outside visual reference.

In order to derive only one MUH value for simplicity of use, it is assumed that the effects of failure on the autopilot in RNAV operation are no worse than for the xLS operation, and no further determination or demonstration is required. However, the applicant should show that due account has been taken in the Safety Assessment of the differences between the RNAV and xLS inputs to the autopilot (e.g. barometric altitude input, FMS position and guidance commands, and their failure effects). If these effects can be bounded or otherwise reconciled, then the xLS demonstrated MUH might also be considered applicable to RNAV operations.

If these effects cannot be bounded or accounted for within those for the xLS operation, the MUH should be determined in accordance with an Approach Without Vertical Path Reference – see below.

14.2.5.2 Approach Without Vertical Path Reference

For an approach without vertical path reference (e.g., VOR, NDB, localizer only) the FGS mode of operation is typically vertical speed/flight path angle (i.e. a cruise mode). The worst case Failure Condition for this type of mode should be demonstrated in the approach configuration, and an appropriate height loss established in accordance with the method described in AMC No.2 to CS 25.1329, Section 4.2.3.3.

14.2.5.3 Steep Approach

In support of an approval to use the FGS on glidepath angles of greater than 3.5 degrees (see Section 14.1.3.4) an assessment should be made of the effects of failure conditions for this type of operation. For the use of autopilot, an appropriate MUH should be established in accordance with the deviation profile method described in Section 14.2.5. For this assessment, the obstacle plane associated with a nominal 3-

CS-25 BOOK 2

degree glidepath angle (1:29 slope) should be adjusted according to the maximum approach angle, for which approval is sought.

14.2.6 Specific Conditions

The following are failure conditions that should be considered as part of the FGS evaluation program:

- Engine Failure during approach - continue approach to DA(H)/MDA(H)
- The effect of potential fuel imbalance
- Aeroplane System Failures (as necessary – requiring specific flight evaluation), e.g.,
 - Hydraulics
 - Electrical
 - Flight Controls
 - FGS related Sensors

The probability of failure of a FGS element to disengage when the quick disengagement control is operated should be shown to be acceptable by the Safety Analysis process. If credit is to be taken for acceptable continued manual operation with the FGS elements remaining engaged i.e. without operating any of the other disengagement controls, then a flight demonstration should be conducted though approach, landing and rollout.

14.3 Criteria Supporting the Operational Use of an Autopilot

The criteria contained in this section are intended to identify how the functional capability of the FGS, established during the certification, can be utilized to support typical flight operations. The criteria are based on experience gained from certification programs and functionality provided by traditional systems. A FGS providing non-traditional functionality, using new or novel technology, and/or implementation techniques, may require additional criteria to be established.

14.3.1 Autopilot Operations in close proximity the ground

The minimum engagement point for the autopilot after takeoff and the minimum use of the autopilot during approach should take into consideration the effect of:

- Failures and their effects (i.e., Failure Conditions),
- Fault-free performance,
- Any specific operational considerations and/or mitigation.

During low visibility operations, multiple redundant autopilot channels may be used and the effect of any autopilot failures on the flight path may be eliminated, or substantially minimized, by the protection provided by that redundancy. The following considerations apply primarily to single channel operations where performance or integrity aspects may require further consideration. See also Section 13.5.2, which identifies specific considerations relating to autopilot operations close to the ground in the presence of failures.

14.3.1.1 Autopilot Engagement Altitude or Height after Takeoff – Failure Effects

The potential deviation of the aeroplane from the desired flight path due to the effect of a Failure Condition may necessitate delaying the engagement of an autopilot to an acceptable height above the departure runway.

To support this determination, if an autopilot Failure Condition, or Failure Conditions, are identified that will cause a significant deviation below the intended vertical flight path, the worst-case deviation profile should be identified. This profile and the recovery of the aeroplane should not result in penetration of the net flight path as defined in CS 25.115. If the Failure Condition(s) has a neutral effect on the flight path but has implications for speed control during takeoff, the acceptability of cues for the flight crew detection

CS-25 BOOK 2

of the condition should be made. The effect of any Failure Condition relating to the bank angle of the aeroplane should also be assessed. In all of the above, account should be taken of operating the aeroplane at the WAT limit.

The minimum engagement height will typically be established based on the greater of the following considerations:

- The lowest altitude or height where the flight crew could reasonably be assumed to engage the autopilot. Consideration should be given to normal flight crew tasks during rotation and lift-off (typically 30 m (100 ft) or greater).
- Any allowance for the acceptability of the performance of the autopilot during the basic engagement/mode transition.
- The lowest altitude or height consistent with the response of the aeroplane to any identified autopilot Failure Condition(s).
- Activation of stall identification system (e.g. stick pusher) armed (if installed).

If the response to the worst-case failure condition causes a significant transition below the intended vertical flight path, the deviation information should be provided in the AFM.

14.3.1.2 Autopilot Engagement during Approach

The potential deviation of the aeroplane from the desired flight path due to the effect of a Failure Condition may necessitate the disengagement of an autopilot at an appropriate height on the approach to landing.

The operational minimum engagement height will be established based on the following considerations:

- the altitude or height at which the performance of the automatic control is no longer acceptable,
- the lowest altitude or height consistent with the response of the aeroplane to a subsequent autopilot failure,
- any specific operational consideration.

The following paragraphs provide assessment criteria for operations that have guidance to the runway threshold, and for those that do not.

14.3.1.2.1 Approach with Vertical Path Reference – Failure Effects

Approaches with vertical path reference can include xLS (i.e., ILS, MLS and GLS) or RNAV. Operations using xLS, can be assumed to be conducted with respect to a flight path prescribed or established as an integral part of navigation service provided by the State of the airport. RNAV approach operations will be conducted using an onboard database that provides a navigation flight path to the runway.

The operational consideration for this type of operations relates an assessment of the adequacy of continued use of the autopilot in maintaining the desired vertical flight path. Considerations include the lowest altitude consistent with the response of the aeroplane to an autopilot failure.

To support this determination, if an autopilot Failure Condition, or Failure Conditions, is identified that causes a significant transition below the intended vertical flight path, the worst-case deviation profile should be identified using the method identified in Section 14.2.5.1. If the Failure Condition(s) has a neutral effect on the flight path, the acceptability of cues for the flight crew detection of the condition should be made. The effect of any Failure Condition relating to the bank angle of the aeroplane should be assessed.

For the purpose of the airworthiness assessment, the vertical flight path an xLS and RNAV approach can be assumed to be a flight path of three degrees that passes through the runway threshold at an altitude of 15 meters (50 ft). Considerations for steep approaches are provided in a preceding section.

CS-25 BOOK 2

The vertical flight path control for an xLS approach will be made with reference to the path defined by the navigation service. The RNAV vertical flight path will typically be conducted with reference to barometric altitude. An appropriate adjustment to the minimum use height may be appropriate to take into account the vertical accuracy of RNAV operations.

NOTE: Any operational considerations such as temperature effect compensation should be considered as part of the operational authorization.

The Minimum Use Height can be determined using the method identified in AMC No.2 to CS 25.1329, Section 4.2.3.2.

14.3.1.2.2 Approach without Vertical Path Reference

Flight operations with no vertical path reference are conducted with an appropriate visual segment for final approach path. In the interest of providing appropriate automatic control to assist in a stabilized approach, the minimum use of the autopilot should be consistent with the performance needed for the descent (e.g., vertical speed/flight path angle) and the pilot detection and recovery from an autopilot failure.

To support this determination, if an autopilot Failure Condition, or Failure Conditions, is identified that causes a significant transition below the intended vertical flight path, the worst-case deviation profile should be identified. If the Failure Condition(s) has a neutral effect on the flight path but has implications for speed control during takeoff, the acceptability of cues for the flight crew detection of the condition should be made. The effect of any Failure Condition relating to the bank angle of the aeroplane should be assessed.

For FGS that are failure protected (i.e., fail passive), the minimum engagement height will typically be no lower than 15 m (50 ft) above runway elevation. However, when determining this limitation, account should be taken of the handling task presented to the pilot when regaining manual control, especially in limiting crosswind conditions.

For FGS that are not failure protected (i.e., not fail-passive), the demonstrated minimum use height will typically be established based on the greater of the following considerations:

- a. 15 m (50 ft) above runway elevation
- b. Two times the Height Loss for the aeroplane as a result of any identified autopilot Failure Condition(s) using the method identified in AMC No.2 to CS 25.1329, Section 4.2.3.3.

14.3.1.3 Circling Approach

For the purposes of this AMC, circling approaches may be considered to have three visual segments associated with the approach; a segment at or above the minimums prescribed by the procedure that parallel the runway in the opposite direction of the landing runway, a turning segment to align with the runway that can be level or partially descending, and a final descending segment to landing. Operationally, the autopilot may remain engaged even after leaving the minimum altitude (MDA(H)) for safety and flight crew workload relief reasons. This operational procedure should be balanced against unacceptable performance or failure characteristics. As this procedure is in the visual segment, no specific constraints for the use of the autopilot are considered necessary for this phase of flight unless specific unacceptable performance or failure characteristics related to circling approach are identified during the certification program.

14.3.2 Climb, Cruise, Descent, and Holding

The value of the use of the autopilot in providing flight crew workload relief in climb, cruise, descent and holding phases of flight should be balanced against the failure characteristics of the autopilot. No specific constraints for the use of the autopilot are considered necessary for these phases of flight unless specific unacceptable performance or failure characteristics are identified during the certification program, related to climb, cruise, descent or holding.

CS-25 BOOK 2

14.3.3 Manoeuvring

No specific constraints for the use of the autopilot are considered necessary for manoeuvring flight unless unacceptable performance or failure characteristics are identified during the certification program. Section 14.2.4 provides assessment criteria for manoeuvring flight for autopilot failures.

14.4 Automatic Disengagement of the Autopilot

Automatic disengagement of the FGS will occur for several reasons such as system failures, sensor failures, unusual accelerations, etc. The automatic disengagement characteristics of the FGS should be investigated throughout the flight envelope. These disengagement cases should be analysed to determine the ones requiring demonstration during the test program. For each disengagement, the transients, warnings, and pilot workload for recovery should be evaluated, and compliance with CS 25.1329 (d) and (e) should be verified. The use of simulation is recommended for all conditions that are expected to result in significant transients.

14.5 Assessment of Human Factors Considerations

The evaluation, demonstration and testing should assess the acceptability of the human-machine interface with the FGS and the potential for flight crew errors and confusion concerning the behaviour and operation of the FGS, based on the criteria described in earlier Sections.

The evaluation of normal and non-normal FGS operations should include the representative range of conditions in terms of crew mental or physical workload, required crew response timeliness, or potential for confusion or indecision. The set of test cases should represent operationally relevant scenarios and the assumptions about pilot training and skill level should be documented.

Flight evaluation during certification is a final assessment and is intended to validate the design. Prior evaluations are typically conducted in a variety of ways and at different levels of fidelity in order to finalize the design. These may include:

- Engineering evaluations and task analyses, including cognitive and physical tasks;
- Mock-up evaluations and demonstrations;
- Part-task evaluations and demonstrations;
- Simulator evaluations, demonstrations, and tests; and
- Engineering flight evaluations, demonstrations, and tests.

The data and/or experience from such evaluations may be useful for credit to establish FGS compliance with regulations having human factors considerations. In some cases, certification credit or demonstration of compliance using simulations cannot be granted due to inability to find simulation conformity. In such cases, certification authorities may consider that less flight testing may be required to show compliance if the simulation evaluations have added confidence with respect to the reduced potential for crew error and confusion and other human factors attributes of the pilot/FGS interface. Also, applicants have successfully used comparisons to previously certificated designs to obtain such credit (although such credit is not assured). Additional testing may be warranted, e.g., for new FGS flight crew interface designs or functions.

In many cases the evaluation, demonstration and test scenarios, including failures and environmental events, will determine whether the data should be obtained in simulation or in flight, because of safety considerations or unavailability of the necessary environmental conditions. In some of these cases a very high fidelity simulation will be needed. In addition to the simulation validation considerations identified in Section 14.1.4.2, the simulation used may need to include the following features, depending on the functionality of the FGS:

- Physical implementation of flight deck controls, displays, indicators and annunciators for all flight crew positions that are relevant to the objectives of the evaluation.
- Adequate emulations of relevant equipment (hardware and software function, including capability to introduce failures) should be incorporated in the simulation.
- Weather simulation including gusts, turbulence, windshear and visibility.

CS-25 BOOK 2

- Representation of the operational environments, including interaction with air traffic services, day/night operations, etc, as relevant to the functions and pilot tasks being evaluated
- Data collection capabilities

Simulator evaluations and tests are intended to generate objective and/or subjective data. It may not always be possible or necessary to obtain quantifiable measurements of flight crew performance, even with high fidelity flight or simulation evaluation, demonstration, or test scenarios. In these cases, evaluation procedures should be based on the use of structured, subjective methods such as rating scales, questionnaires and/or interviews. When there is dependence on this type of data, evaluations should consider multiple data collection techniques with an appropriate number of pilot evaluators.

In order to provide sound evaluations, pilots should be trained appropriately on the FGS system operation and procedures. They should also have experience in the kinds of operation and aircraft types for which the FGS is intended, be familiar with the intended function of the FGS, its operational and design philosophy, and how this philosophy fits with the overall flight deck and its operational and design philosophy.

Rationale should be provided for decisions regarding new or unique features in a design. It should be confirmed that the data resulting from the evaluations support acceptability of any new or unique features.

The certification planning documentation should describe the means to show compliance of the Human Factors-related considerations of the FGS, with this AMC.

15 AEROPLANE FLIGHT MANUAL (AFM)

The following sections provide guidance on material to be provided in the Aeroplane Flight Manual (AFM) to ensure that the appropriate information related to FGS operation is translated into air carrier operations. For additional guidance, note that AMC 25.1581 addresses requirements of the AFM for Large Aeroplanes and distinguishes between those aircraft that are used in Commercial Air Transportation and those that are not.

The terminology used in the AFM should be consistent with the intended operational use.

Appropriate AFM information related to low-visibility operations is addressed in CS-AWO Subparts 1-4.

15.1 Information Supporting Operational Use of the Autopilot

The airworthiness certification process will assess the effect of autopilot Failure Conditions as identified in Sections 13 and 14. If a specific Minimum Use Height (MUH) is necessary, then the height should be provided in the Limitations section of the AFM. If the design is such that the effects of Failure Condition(s) do not require establishment of a MUH, then the pertinent deviation profile or height loss information should be provided in the Normal or Non-normal section of the AFM, as applicable.

If MUH or a Height Loss value is applicable, it should be specified as follows:

- (a) Takeoff - Autopilot Engagement Altitude or Height.

NOTE: If minimum engagement altitude(s) or height(s) are not specified, then "maximum displacement deviation" information from a pertinent takeoff flight path and approach profile should be provided in the AFM Normal Procedures section, or in the associated Flight Crew Operation Manuals (FCOM).

- (b) Cruise – Height Loss
- (c) Approach - MUH or Height Loss
 - i) Approach – with Vertical Path Reference

CS-25 BOOK 2

- the MUH should be determined based on clearance above a 1:29 plane using the Deviation Profile Method.
- ii) Approach – without Vertical Path Reference
- the Height Loss should be determined using the Height Loss Method

15.2 Limitations

The Limitations section of the AFM presents those FGS operating limitations appropriate to the aeroplane model as established in the course of the type certification process, and as necessary (Ref. CS 25.1581(a)(1) and CS 25.1583). FGS operational limitations (should any exist) should specify, any configuration/envelope restrictions, if and as applicable.

15.3 Non-normal/Emergency Procedures

The AFM should include Non-normal or Emergency procedures appropriate to the FGS identified during the certification program (Ref. CS 25.1581(a)(1), CS 25.1585(a)(2) and CS 25.1585(a)(3)).

15.4 Normal Procedures

The normal procedures for use of the FGS should be documented in the AFM or FCOM, as appropriate. These procedures should be demonstrated during the type certification process.

In lieu of specification of minimum engagement altitude(s) or height(s) (see Section 15.1 above), the AFM may alternately specify “maximum displacement deviations” from a specified takeoff flight path, or from a specified approach profile. This information may be based on typical departure or approach flight paths suited for the aircraft type and for failure conditions that are determined applicable to the type of FGS system and modes suitable for use.

The flight manual should include any necessary procedures for the use of the flight guidance system in icing conditions (including severe icing conditions). In particular, the procedures should include any necessary changes in operating speeds required either operationally or as a result of relevant design features of the speed protection function of the FGS; e.g., variations in minimum speeds as a function of de/anti-icing system selection; speed increments during approach and landing in turbulence.

15.4.1 Aircraft with Published Flight Crew Operation Manuals

The AFM’s for aircraft for which the manufacturer has published a FCOM should contain essential information on normal operating procedures that are considered “peculiar” to the operation of the FGS for the aircraft type or are otherwise necessary for safe operation (Ref. CS 25.1581(a)(2) and CS 25.1585(a)(1)). FGS description and integration with the overall flight deck design philosophy; specification and operational procedures that are normally associated with flight guidance systems should be made available for inclusion in the FCOM.

If applicable, a FCOM may contain the “maximum displacement deviation” information described in Section 15.1, above, in either numeric or graphic form.

15.4.2 Aircraft without Published FCOM’s

For aircraft that rely on the AFM as the sole operating manual, the AFM must contain operating information sufficient for flight crew reference (Ref. CS 25.1581(a)(2)). FGS description and integration with the overall flight deck design philosophy, specification and operational procedures that are normally associated with flight guidance systems should be made available so that an appropriately trained flight crew may operate the FGS under normal conditions.

CS-25 BOOK 2

APPENDIX A - SAFETY ASSESSMENT

A1 General

This section provides material that may be useful in supporting the safety assessment activities identified in Section 13.

A2 Identification of Failure Conditions

The following “failures” should be considered for applicability when establishing Failure Conditions as indicated in Section 13:

- Loss of autopilot in single or multiple axes
- Loss of guidance in single or multiple axes
- Loss of thrust control
- Partial loss or degradation of autopilot function
- A failure resulting in unintended autopilot commands in a single axis or multiple axes simultaneously (e.g., hardover, slowover, and oscillatory failure modes)
- A failure resulting in unintended guidance commands in a single axis or multiple axes
- A failure resulting in unintended thrust control
- A sustained out-of-trim condition with the autopilot engaged without a warning
- An autopilot disengagement in an out-of-trim condition
- Autopilot disengagement without a warning
- Inability to disengage the autopilot or autothrust function
- Un-commanded engagement of an autopilot or autothrust
- Jamming or loading of primary flight controls
- Un-intended thrust asymmetry

A typical Failure Condition statement may be of the form:

{Failure} during ***{Phase of Flight}*** that ***{Effect}*** when ***{Mitigation Consideration}***

Failure Conditions may result from failures within the FGS or from failure associated with aircraft interfacing systems or components (e.g., navigation receivers, attitude heading reference systems, flight management systems, hydraulics, electrical systems, etc.).

A3 Considerations when Assessing the Severity of Failure Condition Effects

The Failure Condition definition is complete (as defined in AMC 25.1309) when the effects resulting from “failure” are identified. A complete definition of the Failure Condition and its effect will then support the subsequent Failure Condition classification.

When assessing the effect that results from a failure, the following items should be considered for various phases of flight:

- The impact of the loss of control, or unintended control, on the structural integrity of the aeroplane as a result of simple loading or as a result of excitation of aerodynamic or structural modes, both at the time of occurrence and while the flight continues.

CS-25 BOOK 2

- Implications of the aeroplane response in terms of attitude, speed, accelerations, flight path, and the impact on the occupants and on flight crew performance.
- Degradation in the stability or other flying qualities of the aeroplane.
- The duration of the condition.
- The aircraft configuration.
- The aircraft motion cues that will be used by the flight crew for recognition.
- Availability, level, and type of alerting provided to the flight crew.
- Expected flight crew corrective action on detection of the failure.

Failure Conditions may include the following characteristics:

- “Hardover” effects - typically considered to significant and are readily detectable by the flight crew based on the resulting aircraft motion or guidance cues.
- “Slowover” effects - typically not readily detected by the flight crew. The effect may involve departures from intended flight path that are not initially detectable by aircraft motion alone, and may only be detectable by motion cues when a significant flight path deviation has occurred or by the provision of an appropriate flight crew alert.
- “Oscillatory” effects – typically a repetitive motion or guidance condition not related to intended guidance or control. The magnitude, period and duration of the condition and any mitigation considerations will determine the final effect.
- “Loss of” effects – typically the removal of control, guidance or functionality that may have an immediate effect or may not be immediately apparent to the flight crew.

Section 14 provides guidance on crew recognition considerations.

A4 Failure Condition Classification

The following are examples of the type of Failure Condition effects that have been identified in previous aeroplane certification programs. The specific number and type of Failure Condition may vary with aeroplane type, aeroplane system architecture and FGS system design philosophy (e.g., failure detection, redundancy management, failure annunciation, etc.).

A4.1 Catastrophic Failure Conditions

The following effects have been assessed Catastrophic in previous aeroplane certification programs:

- A load on any part of the primary structure sufficient to cause a structural failure preventing safe flight and landing (Refer to CS 25.302).
- Unrecoverable loss of flight path control.
- Exceedance of V_{DF}/M_{DF} .
- Flutter or vibration that causes a structural failure preventing safe flight and landing (Refer to CS 25.302).
- A temporary loss of control (e.g., stall) where the flight crew is unable to prevent contact with obstacles or terrain.
- Deviations in flight path from which the flight crew are unable to prevent contact with obstacles, terrain, or other aircraft.

A4.2 Hazardous Failure Conditions

The following effects have been assessed Hazardous in previous aeroplane certification programs:

- Exceedance of airspeed halfway between V_{MO} and V_{DF} or a Mach number halfway between M_{MO} and M_{DF} .

CS-25 BOOK 2

- A stall, even if the flight crew is able to recover safe flight path control.
- A load factor less than zero.
- Bank angles of more than 60 degrees en route or more than 30 degrees below a height of 300 m (1000 ft). above an applicable airport elevation.
- Degradation of the flying qualities of the aeroplane that excessively increases flight crew workload.
- Failure that could result in a RTO and high speed overrun (e.g., 110 km/h (60 kt)).
- A flight path deviation that requires a severe manoeuvre to prevent contact with obstacle, terrain or other aircraft.

NOTE: Severe manoeuvre includes risk of serious injury or death of a small number of occupants.

A4.3 Major Failure Conditions

The following effects have been assessed Major in previous aeroplane certification programs:

- A flight path deviation, a required recovery manoeuvre, which may result in passenger injuries (e.g., consideration should be given to phases of flight where the occupants may reasonably be moving about the aeroplane or be serving or consuming hot drinks).
- Degradation of the flying qualities of the aeroplane that significantly increase flight crew workload.

AMC No.2 to CS 25.1329 Flight Testing of Flight Guidance Systems

1. General

Some aspects of a Flight Guidance System (FGS) design may be validated by laboratory testing or by simulation, other aspects may necessitate test pilot expertise and subjective judgment in a representative aircraft environment. The purpose of this AMC is to provide FGS flight test procedures without specifying the test means to be used, i.e. actual aircraft or representative flight simulator.

A flight test program should be established that confirms the performance of the FGS for the modes of operation and the operational capabilities supported by its design. The operational implications of certain failures and Failure Conditions may require flight evaluation. The pilot interface with FGS controls and displays in the cockpit should also be assessed.

The scope of the flight demonstration program will be dependent on the operational capability being provided including any new and novel features. Early coordination with the regulatory authorities is recommended to reduce certification risks associated with the flight demonstration program.

The intent of the flight demonstration program is to confirm that the operation of the FGS is consistent with its use for the intended flight operations of the aeroplane type and configuration.

The modes of the FGS should be demonstrated in representative aeroplane configurations and under a representative range of flight conditions.

The following are specific test procedure that can assist in that demonstration program. The procedures should be read in conjunction with Sections 10, 11 and 14 of AMC No. 1 to CS 25.1329.

2. Protection Features

Protection feature are included in the design of an FGS to assist the flight crew in ensuring that boundaries of the flight envelope or operational limits are not exceeded leading to an unsafe condition. The means to alert the flight crew to a condition or for the system to intervene to preclude the condition may vary but certain operational scenarios can be used to assess the performance of the system in providing the protection function. The following procedures can be used to evaluate the protection functions of an FGS.

CS-25 BOOK 2

2.1 Low Speed Protection

The low speed protection feature in an FGS is intended to prevent loss of speed to an unsafe condition (Refer to AMC No.1 to CS 25.1329 – Section 10.4.1). This may be accomplished by a number of means but should be evaluated under a number of scenarios.

There are four cases that should be considered when evaluating when the Low Speed Protection function of a FGS:

1. High Altitude Cruise Evaluation.

- a) At high altitude at normal cruise speed, engage the FGS into an Altitude Hold mode and a Heading or LNAV mode.
- b) Engage the autothrust into a speed mode.
- c) Manually reduce one engine to idle thrust.
- d) As the airspeed decreases, observe the FGS behaviour in maintaining altitude and heading/course.
- e) When the Low Speed Protection condition becomes active, note the airspeed and the associated aural and visual alerts including possible mode change annunciations for acceptable operation.

2. Altitude Capture Evaluation at Low Altitude.

- a) At about 1000 m (or 3000 ft) MSL and 460 km/h (or 250 kt), engage the FGS into Altitude Hold and a Heading or LNAV mode.
- b) Engage the autothrust into a speed mode.
- c) Set the Altitude Pre-selector to 2500 m (or 8000 ft) MSL.
- d) Make a flight level change to 2500 m (or 8000 ft) with a 460 km/h (250 kt) climb at maximum climb power.
- e) When the FGS first enters the altitude capture mode, retard an engine to idle power.
- f) As the airspeed decreases, observe the aeroplane trajectory and behaviour.
- g) When the Low Speed Protection condition becomes active, note the airspeed and the associated aural and visual alerts including possible mode change annunciations for acceptable operations.

3. High Vertical Speed Evaluation.

- a) Engage the FGS in Vertical Speed Mode with a very high rate of climb.
- b) Set the thrust to a value that will cause the aeroplane to decelerate at about 1.8 km per second (1 knot per second).
- c) As the airspeed decreases, observe the aeroplane trajectory and behaviour.
- d) When the Low Speed Protection condition becomes active, note the airspeed and the associated aural and visual alerts including possible mode change annunciations for acceptable operation.

4. Approach Evaluation.

- a) Conduct an instrument approach with vertical path reference.
- b) Couple the FGS to the localizer and glideslope (or LNAV/VNAV, etc.).
- c) Cross the Final Approach Fix/Outer Marker at a high-speed (approximately $V_{ref} + 74$ km/h (40 kt)) with the thrust at idle power until low speed protection activates.
- d) As the airspeed decreases, observe the aeroplane trajectory and behaviour.
- e) When the Low Speed Protection condition becomes active, note the airspeed and the associated aural and visual alerts including possible mode change annunciation for acceptable operation.
- f) Note the pilot response to the alert and the recovery actions taken to recover to the desired vertical path and the re-capture to that path and the acceleration back to the desired approach speed.

CS-25 BOOK 2

NOTE: If the FGS remains in the existing mode with reversion to Low Speed Protection, the FGS should provide a suitable alert to annunciate the low speed condition. In this case, note the pilot response to the alert and the recovery actions taken to maintain the desired vertical path and to accelerate back to the desired approach speed.

2.2 High-speed Protection

The high-speed protection feature in an FGS is intended to prevent a gain in airspeed to an unsafe condition (Refer to AMC No.1 to CS 25.1329 – Section 10.4.2). This may be accomplished by a number of means but should be evaluated under a number of scenarios.

There are three cases that should be considered when evaluating the High-speed protection function of a FGS:

1. High Altitude Level Flight Evaluation with Autothrust function

- a) Select Autothrust Off (if an automatic wake-up function is provided; otherwise, select Autothrust on).
- b) Engage the FGS in altitude hold.
- c) Select a thrust level that will result in acceleration beyond VMO/MMO.
- d) As the airspeed increases, observe the behaviour of the High-speed protection condition and any autothrust reactivation and thrust reduction, as applicable.
- e) Assess the performance of the FGS to control the airspeed to VMO/MMO, or other appropriate speed.

2. High Altitude Level Flight Evaluation without Autothrust function

- a) Select a thrust value that will result in acceleration beyond VMO/MMO.
- b) As the airspeed increases, observe the basic aeroplane overspeed warning activate between VMO + 1 and VMO + 11 km/h (6 kt).
- c) Observe the high-speed protection condition become active as evidenced by the unique visual alert and note possible FGS mode change.
- d) Maintain the existing thrust level and observe the aeroplane depart the selected altitude.
- e) After sufficient time has elapsed to verify and record FGS behaviour has elapsed, reduce the thrust as necessary to cause the aeroplane to begin a descent.
- f) Observe the FGS behaviour during the descent and subsequent altitude capture at the original selected altitude.

3. High Altitude Descending Flight Evaluation with Autothrust function

- a) Select Autothrust Off (with automatic wake-up function) with thrust set to maintain airspeed 10% below VMO/MMO with the FGS engaged in altitude hold.
- b) Select vertical speed mode that will result in acceleration beyond VMO/MMO.
- c) As the airspeed increases observe the autothrust function reactivate and reduce thrust towards idle.
- d) Observe the activation of FGS high-speed protection condition.
- e) Observe the reduction in pitch.

GENERAL NOTE: If the FGS remains in the existing mode with reversion to High Speed Protection, the FGS should provide a suitable alert to annunciate the high-speed condition. In this case, note the pilot response to the alert and the recovery actions taken to maintain the desired vertical path and to decelerate back to the desired speed.

3. Environmental Conditions

Some environmental conditions have created operational problems during FGS operations. It should be the objective of the flight demonstration program to expose the FGS to a range of environmental conditions as the opportunity presents itself. These include winds, windshear, mountain-wave, turbulence, icing, etc. However, some specific test conditions may have to be created to emulate operational conditions that are not readily achieved during normal flight test.

CS-25 BOOK 2

3.1 Icing

The accumulation of ice on the wing and airframe can have an effect on aeroplane characteristics and FGS performance. FGS operations may mask the onset of an aeroplane configuration that would present the pilot with handling difficulties when resuming manual control, particularly following any automatic disengagement of the FGS.

During the flight test program the opportunity should be taken to evaluate the FGS during natural icing conditions including the shedding of the ice, as applicable.

It is recommended that the opportunity should be taken to evaluate the operation of the FGS during basic aeroplane evaluation with 'ice shapes'.

The following conditions should be considered for evaluating FGS performance under 'icing conditions':

- (a) "Holding ice" as defined by CS-25 Appendix C
- (b) Medium to light weight, symmetric fuel loading
 - (1) High lift devices retracted configuration:

Slow down at 1.8 km per second (1 knot per second) to automatic autopilot disengage, stall warning or entry into speed protection function.

Recovery should be initiated a reasonable period after the onset of stall warning or other appropriate warning. The aeroplane should exhibit no hazardous characteristics.
 - (2) Full Instrument Approach:

If the autopilot has the ability to fly a coupled instrument approach and go-around, it should demonstrate the following:

 - (i) Instrument approach using all normal flap selections.
 - (ii) Go-around using all normal flap selections.
 - (iii) Glideslope capture from above the glidepath.
 - (3) If the aeroplane accretes or sheds ice asymmetrically it should be possible to disengage the autopilot at any time without unacceptable out of trim forces.
 - (4) General manoeuvrability including normal turns, maximum angle of bank commanded by the FGS in one direction and then rapid reversal of command reference to the maximum FGS angle of bank in the other direction.

4. Failure Conditions

This section contains criteria relating to aeroplane system Failure Conditions identified for validation by a system Safety Assessment.

4.1 Test Methods

The test method for most Failure Conditions will require some type a fault simulation technique with controls that provide for controlled insertion and removal of the type of fault identified as vulnerability. The insertion point will typically be at a major control or guidance point on the aeroplane (e.g., control surface command, guidance command, thrust command).

The implication of the effect of the Failure Condition on various flight phases should be assessed and the demonstration condition established. This assessment should identify the parameters that need to be measured and the instrumentation required.

The role of any monitoring and alerting in the evaluation should be identified.

The alertness of the crew to certain aeroplane response cues may vary with phase of flight and other considerations. Guidance on this is provided below.

The 'success criteria' or operational implications should be identified and agreed with the regulatory authority prior to the conduct of the test. Guidance on this is provided below.

4.2 Fault Recognition and Pilot Action

The Safety Assessment process may identify a vulnerability to the following types of Failure Condition:

- hardover
- slowover

CS-25 BOOK 2

- oscillatory

The various types of effect will cause differing response in the aeroplane and resultant motion and other cues to the flight crew to alert them to the condition. The flight crew attention may be gained by additional alerting provided by systems on the aeroplane. The recognition is then followed by appropriate action including recovery.

The assessment of the acceptability of the Failure Condition and the validation of the Safety Assessment assumptions are complete when a stable state is reached as determined by the test pilot.

The following paragraphs provide guidance for specific phases of flight.

4.2.1 Takeoff

This material addresses the use of an FGS after rotation for takeoff.

Section 13 of AMC No.1 to CS 25.1329 identifies the key considerations for this phase of flight to be the effect on the net flight path and the speed control after lift-off. Automatic control is not typically provided for the takeoff roll. It may however be selected soon after lift-off. Failure Conditions may be introduced with this engagement.

For the initial lift-off through flap retraction, it can be assumed that the flight crew is closely monitoring the aeroplane movements and a maximum crew response time after recognition would be 1 second.

4.2.2 Climb, Cruise, Descent and Holding and Manoeuvring

The demonstration of applicable failure conditions during these phases of flight would include the potential for occupants to be out of their seats and moving about the cabin.

4.2.3 Approach

There are two types of approach operations to consider – an approach with and without vertical path reference. The approach with vertical path reference will be assessed against ground-based criteria using a deviation profile assessment. A height loss assessment is used for approaches without vertical path reference.

4.2.3.1 Fault Demonstration Process

The worst-case malfunction has first to be determined, based on factors such as:

- i) Failure Conditions identified by the system safety assessment.
- ii) System characteristics such as variations in authority or monitor operation.
- iii) Mitigation provided by any system alerts.
- iv) Aircraft flight characteristics relevant to failure recognition.

Once the worst-case malfunction has been determined, flight tests of the worst-case malfunction should be flown in representative conditions (e.g. coupled to an ILS), with the malfunction being initiated at a safe height. The pilot should not initiate recovery from the malfunction until 1 second after the recognition point. The delay is intended to simulate the variability in response to effectively a “hands off” condition. It is expected that the pilot will follow through on the controls until the recovery is initiated.

4.2.3.2 Assessment – Approach with Vertical Path Reference

Figure 1 provides a depiction of the deviation profile method. The first step is to identify the deviation profile from the worst-case malfunction. The next step is to ‘slide’ the deviation profile down the glidepath, until it is tangential to the 1:29 line or the runway. The Failure Condition contribution to the Minimum Use Height may be determined from the geometry of the aircraft wheel height determined by the deviation profile, relative to the 1:29 line intersecting a point 4.5 m (15 ft) above the threshold. The method of determination may be graphical or by calculation.

NOTE: The Minimum Use Height is based on the recovery point because:

- i) It is assumed that in service the pilot will be “Hands off” until the autopilot is disengaged at the Minimum Use Height in normal operation.
- ii) The test technique assumes a worst case based on the pilot being “Hands off” from the point of malfunction initiation to the point of recovery.
- iii) A failure occurring later in the approach than the point of initiation of the worst case malfunction described above is therefore assumed to be recovered earlier and in consequence to be less severe.

CS-25 BOOK 2

4.2.3.3 Assessment – Approach without Vertical Path Reference

Figure 2 provides a depiction of the height loss method. A descent path of three degrees, with nominal approach speed, should be used unless the autopilot is to be approved for significantly steeper descents. The vertical height loss is determined by the deviation of the aircraft wheel height relative to the nominal wheel flight path.

CS-25 BOOK 2

1. Failure Initiation
2. Failure Recognition by pilot
3. Initiation of Manual Recovery action by pilot
4. Point on Normal/Fault free Wheel path at which autopilot is disengaged

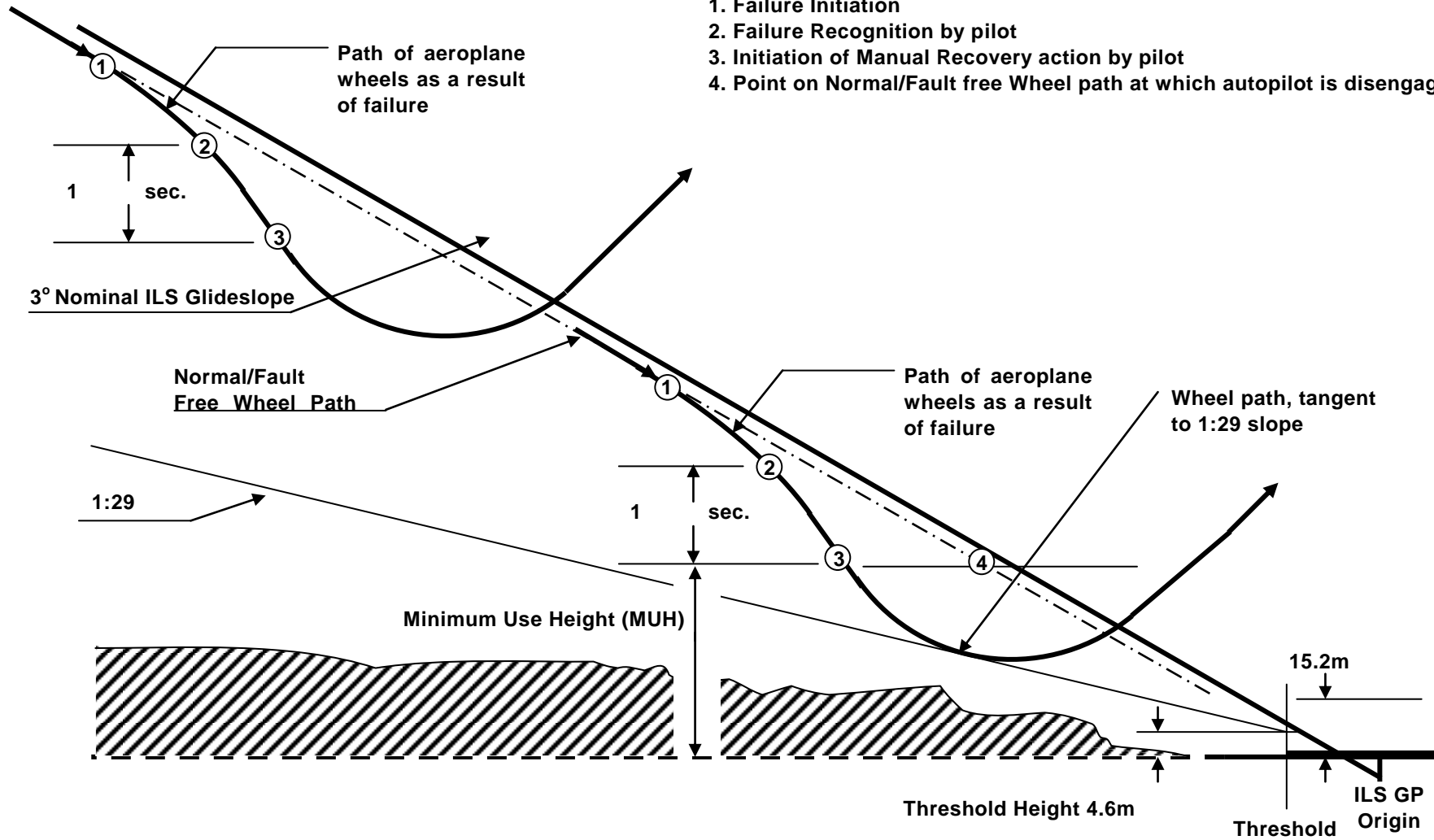


Figure FT-1: Deviation Profile Method

CS-25 BOOK 2

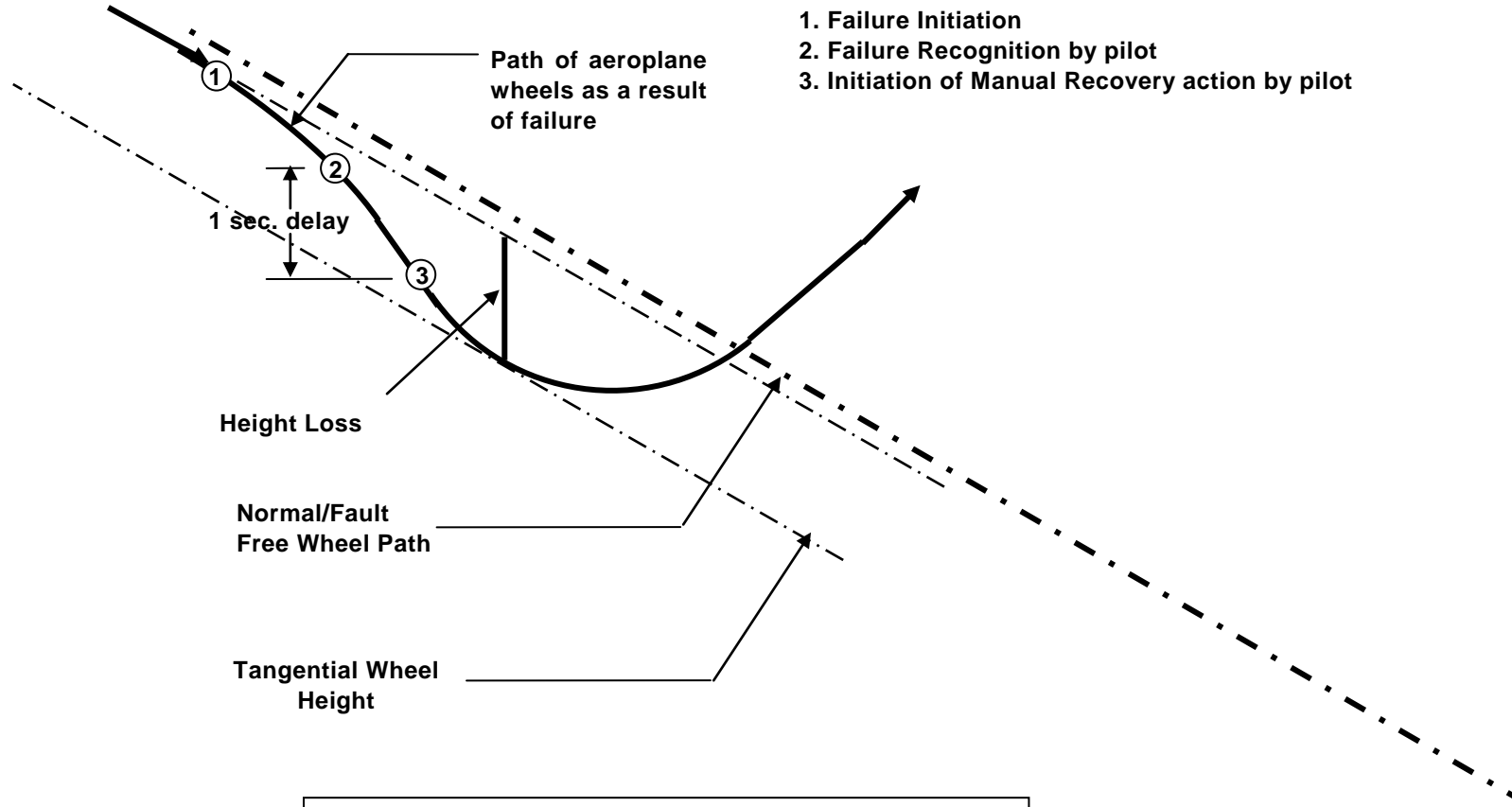


Figure FT-2: Height Loss Method

CS-25 BOOK 2

4.3 Autopilot Override

The initial tests to demonstrate compliance should be accomplished at an intermediate altitude and airspeed e.g. 4500 m (15000 ft) MSL and 460 km/h (250 kt). With the autopilot engaged in altitude hold, the pilot should apply a low force (sustained and incremental) to the control wheel (or equivalent) and verify that the automatic trim system does not produce motion resulting in a hazardous condition. The pilot should then gradually increase the applied force to the control wheel (or equivalent) until the autopilot disengages. When the autopilot disengagement occurs, observe the transient response of the aeroplane. Verify that the transient response is in compliance with Section 8.4 of AMC No. 1 to CS 25.1329.

Disengagement caused by flight crew override should be verified by applying an input on the control wheel (or equivalent) to each axis for which the FGS is designed to disengage, i.e. the pitch and roll yoke, or the rudder pedals (if applicable). The inputs by the pilot should build up to a point where they are sharp and forceful, so that the FGS can immediately be disengaged for the flight crew to assume manual control of the aeroplane.

If the autopilot is designed such that it does not automatically disengage during an autopilot override and instead provides a flight deck Alert to mitigate any potentially hazardous conditions, the timeliness and effectiveness of this Alert. The pilot should follow the evaluation procedure identified above until such time as an Alert is provided. At that time, the pilot should respond to the Alert in a responsive manner consistent with the level of the alert (i.e., a Caution, a Warning) and with the appropriate flight crew procedure defined for that Alert. When the autopilot is manually disengaged, observe the transient response of the aeroplane and verify that the transient response is in compliance with AMC No.1 to CS 25.1329 Section 8.4.

After the initial tests have been successfully completed, the above tests should be repeated at higher altitudes and airspeeds until reaching MMO at high cruise altitudes.

[Amdt. No.:25/4]

AMC 25.1333(b) **Instruments systems**

1. *Attitude displays systems.* If three displays are used to show compliance with CS 25.1333(b), the reliability and independence of those displays should be confirmed by a suitable assessment in accordance with CS 25.1309. Each display should have independent sensors and power supplies. If a total failure of the generated electrical power causes the loss of both main instruments, the power supply to the third (standby) attitude indicator and its appropriate lighting should be such that the display is usable from each pilot's station for a time duration in accordance with AMC 25.1351(d).

Note: the time for which the display remains usable will be stated in the Aeroplane Flight Manual (AFM).

2. *Airspeed, altitude, and direction display systems.* The reliability and independence of the displays used to show compliance with CS 25.1333(b) should be sufficient to ensure continued safe flight and landing appropriate to the intended operation of the aeroplane.

Historically, "sufficient information" to control attitude, airspeed, altitude, and direction has been provided by specific indicators of the state of each parameter. However, since control is considered to be the ability to change or maintain a given parameter to a desired value, it is assumed that these parameters will be available without flight crew action.

There may be alternate parameters in the cockpit that provide equivalent means to control attitude, airspeed, altitude and direction, without displaying those parameters directly (for example, without display of standby airspeed, by using a suitable angle-of-attack display). For these alternate cases, compliance to CS 25.1333(b) must be shown by analysis and flight test.

CS-25 BOOK 2**AMC 25.1351(b)(5)
Generating System**

1 The disconnect means required by CS 25.1351(b)(5) should be accessible to the appropriate flight-crew members in their normal seated positions.

2 The power source controls should be considered as cockpit controls and therefore also comply with CS 25.777.

3 It may not be necessary to provide disconnection controls for all power sources, for example RAT generators or engine control dedicated generators. Where it is necessary to isolate the alternate power source when normal generator power is restored, such isolation should be possible.

**AMC 25.1351(b)(6)
Generating System**

Each source of electrical supply (e.g. generators and batteries) should be provided with means to give the flight crew immediate warning of the failure of its output. These warning means are additional to the system indication requirements of CS 25.1351(b)(6). For multiphase systems the warning should also indicate the loss of any phase.

**AMC 25.1351(d)
Operation without Normal Electrical Power**

1 Provision should be made to ensure adequate electrical supplies to those services, which are necessary to complete the flight and make a safe landing in the event of a failure of all normal generated electrical power. All components and wiring of the alternate supplies should be physically and electrically segregated from the normal system and be such that no single failure, including the effects of fire, the cutting of a cable bundle, the loss of a junction box or control panel, will affect both normal and alternate supplies.

2 When ensuring the adequacy of electrical supplies relative to alternate power source duration and integrity, special consideration should be given to aeroplanes such as those with fly-by-wire, for which the total loss of electrical supplies could result in an immediate loss of control.

3 In considering the services which should remain available following the loss of the normal generated electrical power systems, consideration should be given to the role and flight conditions of the aeroplane and the possible duration of flight time to reach an airfield and make a safe landing.

4 The services required by CS 25.1351(d)(1) may differ between aeroplane types and roles and should be agreed with the Agency. These should normally include –

- a. Attitude information;
- b. Radio communication and intercommunication;
- c. Navigation;
- d. Cockpit and instrument lighting;
- e. Heading, airspeed and altitude, including appropriate pitot head heating;
- f. Adequate flight controls;
- g. Adequate engine control; and

Restart capability with critical type fuel (from the standpoint of flame-out and restart capability) and with the aeroplane initially at the maximum certificated altitude;

- h. Adequate engine instrumentation;
- i. Such warning, cautions and indications as are required for continued safe flight and landing;
- j. Any other services required for continued safe flight and landing.

5 Consideration should also be given to the equipment and the duration of services required to make a controlled descent and forced landing in the event of failure and inability to restart all engines.

CS-25 BOOK 2

6 *Alternate Power Source Duration and Integrity*

6.1 *Time Limited.* Where an alternate power source provided to comply with CS 25.1351(d) is time limited (e.g. battery), the required duration will depend on the type and role of the aeroplane. Unless it can be shown that a lesser time is adequate, such a power source should have an endurance of at least 60 minutes, at least 30 minutes of which is available under IMC. An endurance of less than 30 minutes under IMC would not normally be acceptable. The endurances, with any associated procedures, should be specified in the Flight Manual. The endurance time should be determined by calculation or test, due to allowance being made for –

a. Delays in flight crew recognition of failures and completion of the appropriate drill where flight crew action is necessary. This should be assumed to be 5 minutes provided that the failure warning system has clear and unambiguous attention-getting characteristics and where such a delay is acceptable and compatible with the crew's primary attention being given to other vital actions.

b. The minimum voltage acceptable for the required loads, the battery state of charge, the minimum capacity permitted during service life and the battery efficiency at the discharge rates and temperatures likely to be experienced. Unless otherwise agreed, for the purpose of this calculation, a battery capacity at normal ambient conditions of 80% of the nameplate rated capacity, at the one-hour rate, and a 90% state of charge, may be assumed (i.e. 72% of nominal demonstrated rated capacity at +20°C). The allowance for battery endurance presumes that adequate requirements for periodic battery maintenance have been agreed.

c. For those aeroplanes where the battery is also used for engine or APU starting on the ground, it should be shown that following engine starts, the charge rate of the battery is such that the battery is maintained in a state of charge that will ensure adequate alternate power source duration should a failure of generated power occur shortly after take-off.

NOTE: This may normally be achieved by ensuring that, following battery-powered starting, the battery charge current has fallen to a declared level prior to take-off.

d. For those aeroplanes where the battery is used for in-flight starting of the engines or APU, it may be necessary to include limitations on the number of attempted starts, or to provide a separate dedicated battery for such purposes.

6.2 *Non-Time Limited.* Where an alternate electrical supply is provided by a non time limited source, e.g. APU, ram air turbine, pneumatic or hydraulic motor, due account should be taken of any limitation imposed by aeroplane speed, attitude, altitude etc., which may affect the capabilities of that power source. In considering the power source, account should be taken of the following:

a. *Auxiliary Power Unit (APU).* An APU capable of continuous operation throughout an adequate flight envelope may be considered an acceptable means of supplying electrical power to the required services provided that its air start capability is adequate and may be guaranteed. Where, however the APU is dependent for its starting current on a battery source, which is supplying critical loads, such starting loads may prejudice the time duration of the flight if APU start is not achieved.

It may be necessary therefore to include limitations on the number of attempted starts or to provide a separate battery for APU starting, if this method of supplying electrical power is adopted. Consideration should also be given to the equipment, services and duration required prior to the APU generator coming on-line. Common failures, which could affect the operation of all engines and the APU, should be taken into consideration, e.g. fuel supply.

b. *Ram Air Turbine (RAT).* A ram air turbine may be utilised to provide an alternate electrical power source, but due consideration must be given to ensuring that the means of bringing the unit into use are not dependent on a source which may have been lost as a result of the original failure. This will normally necessitate independent, duplicate means of deployment. Particular attention should be given to ensuring that the RAT and its means of deployment satisfy the overall reliability requirements.

The continuity of electrical power to those services which must remain operative without crew action prior to the RAT being brought into operation, may necessitate the use of a battery, unless the operation of the emergency power source is automatic and is supplying power within a timespan so as not to jeopardise the continued safety of the aeroplane in the event of failure of normal generated electrical power.

CS-25 BOOK 2

c. *Pneumatic or Hydraulic Motor Drive Power Source.* A pneumatic or hydraulic motor driven electrical power source may be utilised subject to the same constraints on activation as the ram air turbine (see 6.2(b)). Care should be taken in ensuring that the operation of the pneumatic or hydraulic system is not prejudiced by faults leading to, or resulting from, the original failure, including the loss of, or inability to restart all engines.

d. *Regaining of Main Generators.* In the event of a major loss of electrical power, provision may be made for regaining the output of one or more generators using separate control and switching arrangements on the generator side of the normal generator line contactor. Such a system would not normally be acceptable on aeroplanes with less than three engine-driven generators, as the probability of the loss of all engine-driven generators is unlikely to meet the requirements of CS 25.1351(d). To comply with CS 25.1351(d)(2) the system should be designed such that the loss of both the main and alternate means of control and distribution is Extremely Improbable. Consideration should be given to the services and duration required prior to the activation of the system and to enable a descent and forced landing to be made, in the event of the inability to restart all engines.

AMC 25.1353(a) Electrical Equipment and Installations

The possible sources of interference to be considered should include –

- a. Conducted and radiated interference caused by electrical noise generation from apparatus connected to the busbars,
- b. Coupling between electrical cables or between cables and aerial feeders,
- c. Malfunctioning of electrically-powered apparatus,
- d. Parasitic currents and voltages in the electrical distribution and earth systems, including the effects of lightning currents or static discharge,
- e. Difference frequencies between generating or other systems, and
- f. The requirements of CS 25.1309 should also be satisfied.

AMC 25.1353(c)(6)(ii) and (iii) Electrical Equipment and Installations

Where temperature sensing and over-temperature warning devices are installed to comply with CS 25.1353(c)(6)(ii) or (iii), their correct operations should be verified at agreed maintenance intervals in addition to compliance with CS 25.1309(a) and (b).

AMC 25.1355(c) Distribution System

The arrangement, protection and control of the feeders from the busbars to the distribution points, and the divisions of loads among the feeders, should be such that no single fault occurring in any feeder or associated control circuit will hazard the aeroplane.

AMC 25.1357(a) Circuit Protective Devices

No hazard should result from the effects of variations in ambient temperatures on either the protective device or the equipment it protects. See also CS 25.1309.

AMC 25.1357(f) System Power Removal

1 Subparagraph 25.1357(f) requires that circuit breakers are not used as the primary means to remove or reset system power for those aeroplane systems for which the ability to remove or reset power during normal operation is necessary.

CS-25 BOOK 2

2 It is not the intent of the requirement that every electrically powered system in the aeroplane has a means to remove power other than a circuit breaker. The phrase “normally requiring power removal” is used to distinguish between aeroplane systems normally turned on and off during normal operations, and those systems normally powered at all times, such as flight deck multi-function displays or the flight-management computer. But if, for example, the flight-management computer did require power cycling regularly, for whatever reason, this system would be required to have a means to do this other than using the circuit breakers.

3 Systems requiring power removal during normal operations should be designed so that power is removed from the system as closely as practical to the source of power instead of simply deactivating the outputs of the systems power supplies.

4 A separate, or integrated, power switch may be used to show compliance with CS 25.1357(f). If an integrated switch is used (that is, a switch that controls power to multiple aeroplane systems), then it must be shown that removing or resetting power for those multiple systems will not adversely affect safe flight.

5 A switch-rated circuit breaker can be used if it is shown to be appropriately rated for the number of switch cycles expected to be executed during the service life of the system or of the circuit breaker.

[Amdt. No.:25/5]

AMC 25.1360(a)**Precaution Against Injury**

1 Where there may be a hazard during maintenance or servicing, aeroplane panels, etc., carrying voltages of above 50V RMS, should be marked with the voltage.

2 Where socket outlets are provided, these should be labelled as to use and with the output voltage or voltages. Where the output voltage exceeds 100 volts d.c. and/or 50 volts a.c. RMS either the output should be electrically isolated from the aeroplane structure, or means shall be provided to prevent inadvertent contact with live parts.

[Amdt. No.:25/3]

AMC 25.1360(b)**Precaution Against Injury**

1 For equipment which has to be handled during normal operation by the flight or cabin crew, a temperature rise of the order of 25°C, for metal parts, should not be exceeded. For other equipment, mounted in parts of the aeroplane normally accessible to passengers or crew, or which may come into contact with objects such as clothing or paper, the surface temperature should not exceed 100°C, in an ambient temperature of 20°C.

2 The heating surfaces of properly installed cooking apparatus are excluded from these requirements.

3 The provision of guards around hot surfaces is an acceptable method of complying with these requirements.

[Amdt. No.:25/3]

AMC 25.1362**Electrical Supplies for Emergency Conditions**

1 The emergency services which may require a supply include fuel shut-off valves, hydraulic shut-off valves and engine / APU fire extinguisher systems.

2 An appropriate design and/or unambiguous AFM procedures should be provided in order to prevent disconnection of the electrical supply to the required services before the emergency procedures are fully completed.

CS-25 BOOK 2**AMC 25.1363****Electrical Systems Tests**

1 In carrying out the tests due account should be taken of load switching and flight crew operation of the system.

2 *Laboratory or Ground Tests*

2.1 All tests should be carried out with all equipment as representative as possible of the actual aeroplane. In particular, the simulation should include the correct representation of aeroplane cables in size, length and impedance, the correct ground (airframe) impedance and relative ground plane location and their location to other cables or systems that could influence performance. System loads and the generator drive system should also be correctly simulated.

2.2 The tests may be carried out on representative laboratory rigs or in an actual aeroplane, as appropriate.

2.3 Test procedures should be prepared to cover each test condition in the programme.

3 *Aeroplane Flight Tests*

3.1 If not adequately simulated by laboratory or ground testing, flight tests should be carried out as necessary.

3.2 Temperature tests should be carried out on equipment to establish the adequacy of the cooling media under all ground and flight conditions.

3.3 Measurements should be made to ensure that all equipment, particularly the aeroplane battery, is operating within its specified environmental conditions.

3.4 Test procedures should be prepared to cover the conditions of the tests.

AMC 25.1365**Electrical appliances, motors and transformers**

1. Heated Domestic Appliances (Galley Equipment)

In showing compliance with CS 25.1365(a), the following should be taken into consideration:

1.1 The design and installation of heated domestic appliances should be such that no single failure (e.g. welded thermostat or contactor, loss of water supply) can result in dangerous overheating and consequent risk of fire or smoke or injury to occupants.

An acceptable method of achieving this is by the provision of a means independent of the normal temperature control system, which will automatically interrupt the electrical power supply to the unit in the event of an overheat condition occurring. The means adopted should be such that it cannot be reset in flight.

1.2 The design and installation of microwave ovens should be such that no hazard could be caused to the occupants or the equipment of the aeroplane under either normal operation or single failure conditions.

1.3 Heated liquid containers, e.g. water boilers, coffee makers should, in addition to overheat protection, be provided with an effective means to relieve overpressure, either in the equipment itself or in its installations.

1.4 When considering failures of domestic appliances, the effect of the loss of the water supply to a water heater, with the electrical supply maintained, should be taken into account.

NOTES:

Due account should be taken of the possible effects of lime scale deposit both in the design and maintenance procedures of water heating equipment.

CS-25 BOOK 2

The design of galley and cooking appliance installations should be such as to facilitate cleaning to limit the accumulation of extraneous substances, which may constitute a fire risk.

2. Electric Overheat Protection Equipment

In showing compliance with CS 25.1365(d), the following should be taken into consideration:

- a. Failures of any automatic control systems, e.g. automatic timer systems, which may cause the motor to run continuously;
- b. Short circuit failures of motor windings or transformer windings to each other or to the motor or transformer frame;
- c. Open circuit of one or more phases on multi-phase motors;
- d. Motor seizures;
- e. The proximity of flammable materials or fluids;
- f. The proximity of other aeroplane installations;
- g. Spillage of fluids, such as toilet waste;
- h. Accumulation of combustible material; and
- i. Cooling air discharge under normal operating or failure conditions.

3. Water Systems

3.1 Where water is provided in the aeroplane for consumption, or use by the occupant, the associated system should be designed so as to ensure that no hazard to the aeroplane could result from water coming into contact with electrical or other systems.

3.2 Service connections (filling points) should be of a different type from those used for other services, such that water could not inadvertently be introduced into the systems for other services.

AMC 25.1419

Ice Protection

1 *General.* Two ways of showing compliance with CS 25.1419 are given.

1.1 *Method 1.* Method 1 is an arbitrary empirical method based on United Kingdom and French practice. This method is acceptable to the Agency.

1.2 *Method 2.* Method 2 is a general approach based on US practice in applying FAR Part 25, Appendix C. If this method is used, each application will have to be evaluated on its merits.

1.3 Additional material, based on UK practice, appropriate to operating in ice crystal conditions is given in 4. This material should be used only where design features of the aeroplane are susceptible to this form of icing.

2 *Method 1 (Acceptable Means of Compliance)*

2.1 Any part of the aeroplane (including its equipment) which is susceptible to ice accretion in ice forming conditions, should be subjected to such evaluation as would demonstrate the suitability of the aeroplane to fly in the ice forming conditions defined in CS Appendix C.

2.2 For the purposes of analysis and tests on protected surfaces the conditions of Figures 1, 2, 4 and 5 only of Appendix C should apply. In determining the rates of catch, the full spectrum of the droplet sizes should be considered but in determining impingement areas, a maximum droplet size of 50 µm need only be considered.

2.3 The natural icing tests carried out on the aeroplane will be judged for their acceptability by evaluation of icing conditions through which the aeroplane has flown in relation to the envelope of conditions of Appendix C.

2.4 Where there are parts of the aeroplane, which are not amenable to analysis, or when testing is considered necessary, the following paragraphs describe an acceptable method of demonstration that the requirements are complied with.

CS-25 BOOK 2

2.5 Protected and Unprotected Parts of the Airframe

2.5.1 *General.* When considering simulated icing tests, the flight conditions selected for testing at each temperature should be the most unfavourable taking account of aeroplane speed, altitude, angle of incidence and power supply. Where altitude is a critical parameter, the tests should be conducted in flight or on the ground so as to simulate the effects of altitude. When the tests are conducted in non-altitude conditions the system supply and the external aerodynamic and atmospheric conditions should be so modified as to represent the required altitude conditions as closely as possible.

2.5.2 Tests in Continuous Maximum Conditions

a. Those parts of the airframe where the accretion of ice under the conditions of Appendix C is likely to have an adverse effect on the airworthiness of the aeroplane, should be tested for a period of 30 minutes duration at each of the conditions specified in the following Table 1.

TABLE 1

Atmospheric Temperature (°C)	Liquid Water Content (g/m ³)	Mean effective drop diameter (µm)
0	0.8	20
-10	0.6	
-20	0.3	
-30	0.2	

b. At the end of the tests the total ice accretion should be such as not to adversely affect the safety of the aeroplane.

c. The duration of the above tests can be reduced if it can be demonstrated that the surface is completely ice free or that the total ice accretion is obviously contained by repetitive shedding either naturally or enforced by cyclic operation of the protective system.

2.5.3 *Check Concerning Intermittent Maximum Conditions.* It would be necessary to check that Intermittent Maximum icing conditions of Figures 4 and 5 of Appendix C do not hazard the aeroplane. The encounters considered should include three clouds of 5 km horizontal extent with Intermittent Maximum concentrations as in Table 2 separated by spaces of clear air of 5 km.

TABLE 2

Atmospheric Temperature (°C)	Liquid Water Content (g/m ³)	Mean effective drop diameter (µm)
0	2.5	20
-10	2.2	
-20	1.7	
-30	1.0	

2.5.4 Ice Accretion on Unprotected Parts

a. Where ice can accrete on unprotected parts it should be demonstrated that the effect of such ice would not critically affect the characteristics of the aeroplane as regards safety (e.g. flight, structure and flutter). The subsequent operation of retractable devices should be considered.

b. Irrespective of what is required by paragraphs 2.5.2 and 2.5.3 from service experience the amount of ice on the most critical unprotected main aero-foil surface need not exceed a pinnacle height of 75 mm (3 in) in a plane in the direction of flight. For other unprotected main surfaces an analysis may be performed to determine the maximum ice accretion associated with this maximum pinnacle height. In the absence of such an acceptable analysis a uniform pinnacle height of 75 mm (3 in) should be assumed. The shape and apparent density, taking into account the texture of the ice, are important. Unless suitable evidence is already available, icing tests should be conducted to determine the critical values of these properties.

CS-25 BOOK 2

c. The critical ice accretion on unprotected parts will normally occur during the hold near 4572 m (15 000 feet) at about -10°C so as to give a total temperature of around 0°C .

2.5.5 *Ice Shedding.* Parts of the aeroplane, which can accrete ice, which upon shedding could interfere with the continuous safe operation of the engines or essential services, should be so protected as to prevent the shedding of ice having more than critical dimensions for the engine or device or it should be demonstrated that the trajectories of such ice are not critical. The protection or otherwise should be demonstrated assuming the ice conditions against which the engine air intake is required to be demonstrated.

2.5.6 *Essential Equipment.* Tests should be conducted to the same standard as recommended for turbine engine air intakes (see AMC 25.1093(b)(1)) unless it can be shown that the items are so designed and located as not to be susceptible to icing conditions. Ice crystal and mixed ice and water cloud will need to be considered. However, in conducting these tests due regard should be given to the presence of the aeroplane and its effect on the local concentration of the cloud.

3 *Method 2 (Interpretative Material)*

3.1 Any part of the aeroplane (including its equipment) which is susceptible to ice accretion in ice-forming conditions, should be subjected to such evaluations as would demonstrate the suitability of the aeroplane to fly in ice-forming conditions defined in CS 25, Appendix C, using FAA Advisory Circular AC 20-73, dated 21st April, 1971, and FAA Technical Report ADS4, dated March, 1964.

3.2 Factors, which should be considered in the evaluation, are –

- a. The meteorological conditions of Appendix C,
- b. The operational conditions which would affect the accumulation of ice on protected and unprotected surfaces of the aeroplane,
- c. The operational conditions of the engine and propeller (if applicable) which would affect the accumulation of ice and/or the availability of energy to operate systems, and
- d. The local condition resulting from installation on the aeroplane.

3.3 For the purpose of analysis and tests on protected and unprotected surfaces, all Figures 1 to 6 of Appendix C are used. In determining the more critical conditions of rate of catch and limits of impingements, the full spectrum of droplet sizes should be considered, taking into account the droplet size distribution (Langmuir D distribution is acceptable for this use).

3.4 The natural icing tests carried out on the aeroplane will be judged for their acceptability by the evaluation of the icing conditions through which the aeroplane has flown in relation to the envelope of conditions of Appendix C.

3.5 In following the alternative procedures as listed in CS 25.1419(c)(1) and (3), the conditions selected for testing should be the most critical as determined from the analysis.

3.6 Where ice can accrete on protected or unprotected parts it should be demonstrated that the effect of such ice will not critically affect the characteristics of the aeroplane as regards safety (e.g. flight, structure and flutter). The subsequent operation of retractable safety devices should be considered.

3.7 From service experience the amount of ice on the most critical unprotected main aerofoil surface need not usually exceed a pinnacle height of 75 mm (3 in) in a plane in the direction of flight. For other unprotected main surfaces an analysis may be performed to determine the maximum ice accretion associated with this maximum pinnacle height. In the absence of such an acceptable analysis a uniform pinnacle height of 75 mm (3 in) should be assumed. The shape and apparent density, taking into account the texture of the ice, are important. Unless suitable evidence is already available, icing tests should be conducted to determine the critical values of these properties.

3.8 The critical ice accretion on unprotected parts will normally occur during the hold near 4572 m (15 000) feet so as to give a total temperature of around 0°C .

3.9 Parts of the aeroplane which can accrete ice, which, upon shedding, could interfere with the continuous safe operation of the engines or essential services should, if necessary, be so protected as to prevent the shedding of ice having more than critical dimensions for the engine or device, or it should be demonstrated that the trajectories of such ice are not critical.

CS-25 BOOK 2

4 *Ice Crystal Conditions.* An assessment should be made into the vulnerability of the aeroplane and its systems to ice crystal conditions.

4.1 The parts most likely to be vulnerable are –

- a. Turbine engine intakes with bends, particularly reverse flow (see CS 25.1093), and
- b. Pitot heads, etc. (see CS 25.1323 and 1325).

4.2 Other parts requiring evaluation could be –

- a. Ducts supplying essential air e.g. cooling, and
- b. APU intakes (see AMC 25.1093(b)(2)).

4.3 Where any doubt exists as to the safe operation in ice crystal conditions appropriate tests should be conducted to establish the proper functioning of the system likely to be affected.

4.4 For guidance Table 3 gives provisional details of the conditions likely to be encountered in service.

TABLE 3

Air Temperature (°C)	Altitude Range		Maximum Crystal Content (g/m ³)	Horizontal Extend		Mean Particle Diameter (mm)
	(ft)	(m)		(km)	(n miles)	
0 to –20	10 000	3000	5.0	5	(3)	1.0
	to	to	2.0	100	(50)	
	30 000	9000	1.0	500	(300)	
–20 to –40	15 000	4500	5.0	5	(3)	1.0
	to	to	2.0	20	(10)	
	40 000	12 000	1.0	100	(50)	
			0.5	500	(300)	

NOTES:

1 In the temperature range 0 to –10°C the ice crystals are likely to be mixed with water droplets (with a maximum diameter of 2 mm) up to a content of 1 g/m³ or half the total content whichever is the lesser, the total content remaining numerically the same.

2 The source of information is RAE Tech Note, Mech. Eng. 283 dated May 1959.

AMC 25.1435

Hydraulic Systems - Design, Test, Analysis and Certification

1. PURPOSE

This AMC (Acceptable Means of Compliance), which is similar to the FAA Advisory Circular AC 25.1435-1, provides advice and guidance on the interpretation of the requirements and on the acceptable means, but not the only means, of demonstrating compliance with the requirements of CS 25.1435. It also identifies other paragraphs of the Certification Specifications (CS) that contain related requirements and other related and complementary documents.

The advice and guidance provided does not in any way constitute additional requirements but reflects what is normally expected by the EASA.

2. RELATED REGULATORY MATERIAL AND COMPLEMENTARY DOCUMENTS

(a) Related Certification Specifications

CS-25 BOOK 2

CS-25 Paragraphs (and their associated AMC material where applicable) that prescribe requirements related to the design substantiation and certification of hydraulic systems and elements include:

CS 25.301	Loads
CS 25.303	Factor of safety
CS 25.863	Flammable fluid fire protection
CS 25.1183	Flammable fluid-carrying components
CS 25.1185	Flammable fluids
CS 25.1189	Shutoff means
CS 25.1301	Function and installation
CS 25.1309	Equipment, systems and installations
CS 25.1322	Warning, caution and advisory lights
CS 25.1541	General: Markings and Placards

Additional CS-25 paragraphs (and their associated AMC material where applicable) that prescribe requirements which can have a significant impact on the overall design and configuration of hydraulic systems are, but are not limited to:

CS 25.671	General: Control systems
CS 25.729	Retracting mechanism
CS 25.903	Engines
CS 25.1315	Negative acceleration

(b) Complementary Documents

Documents, which are considered to provide appropriate standards for the design substantiation and certification of hydraulic systems and system elements may include, but are not limited to:

(i) CS-European Technical Standard Orders (CS-ETSO)

ETSO-C47	Pressure Instruments - Fuel, Oil and Hydraulic
ETSO-2C75	Hydraulic Hose Assemblies

(ii) Society of Automotive Engineers (SAE) Documents

ARP 4752	Aerospace - Design and Installation of Commercial Transport Aircraft Hydraulic Systems
----------	--

Note: This document provides a wide range of Civil, Military and Industry document references and standards, which may be appropriate.

(iii) International Organisation for Standardisation (ISO) Documents

ISO 7137	Environmental Conditions and Test Procedures for Airborne Equipment
----------	---

(iv) US Military Documents

MIL-STD-810	Environmental Test Methods and Engineering Guidelines
-------------	---

(v) European Aviation Safety Agencies Publication

Certification Specification No. 20	AMC 20.6 Temporary Guidance Material for Extended Range Operation with Two-Engine Aeroplanes ETOPS Certification and Operation
------------------------------------	--

(vi) The European Organisation for Civil Aviation Equipment Documents

ED-14G/RTCA DO-160G	Environmental Conditions and Test Procedures for Airborne Equipment
---------------------	---

CS-25 BOOK 2**3. ADVICE AND GUIDANCE****(a) Element Design**

(1) Ref. CS 25.1435(a)(1) The design operating pressure (DOP) is the normal maximum steady pressure. Excluded are reasonable tolerances, and transient pressure effects such as may arise from acceptable pump ripple or reactions to system functioning, or demands that may affect fatigue. Fatigue is addressed in sub-paragraph (a)(4) of this paragraph.

The DOP for low-pressure elements (e.g., return, case-drain, suction, reservoirs, etc.) is the maximum pressure expected to occur during normal user system operating modes. Included are transient pressures that may occur during separate or simultaneous operation of user systems such as slats, flaps, landing gears, thrust reverses, flight controls, power transfer units, etc. Short term transient pressures, commonly referred to as pressure spikes, that may occur during the selection and operation of user systems (e.g., those pressure transients due to the opening and closing of selector/control valves, etc.) may be excluded, provided the fatigue effect of such transients is addressed in accordance with sub-paragraph (a)(4) of this paragraph.

In local areas of systems and elements the DOP may be different from the above due to the range of normally anticipated aeroplane operational, dynamic and environmental conditions. Such differences should be taken into account.

At proof pressure, seal leakage not exceeding the allowed maximum in-service leak rate is permitted. Each element should be able to perform its intended functions when the DOP is restored.

For sub-paragraphs (a)(1), (a)(2) and (a)(3) of this paragraph, the pressure and structural loads, as applicable, should be sustained for sufficient time to enable adequate determination that compliance is demonstrated. Typically a time of 2 minutes for proof conditions and 1 minute for ultimate conditions will be considered acceptable.

The term "pressure vessels" is not intended to include small volume elements such as lines, fittings, gauges, etc. It may be necessary to use special factors for elements fabricated from non-metallic/composite materials.

(2) Ref. CS 25.1435(a)(2) Limit structural loads are defined in CS 25.301(a). The loading conditions of CS-25, subpart C to be considered include, but are not limited to, flight and ground manoeuvres, and gust and turbulence conditions. The loads arising in these conditions should be combined with the maximum hydraulic pressures, including transients that could occur simultaneously. Where appropriate, thermal effects should also be accounted for in the strength justification. For hydraulic actuators equipped with hydraulic or mechanical locking features, such as flight control actuators and power steering actuators, the actuators and other loaded elements should be designed for the most severe combination of internal and external loads that may occur in use. For hydraulic actuators that are free to move with external loads, i.e. do not have locking features, the structural loads are the same as the loads produced by the hydraulic actuators. At limit load, seal leakage not exceeding the allowed maximum in-service leak rate is permitted.

(3) Ref. CS 25.1435(a)(3) For compliance, the combined effects of the ultimate structural load(s) as defined in CS 25.301 and 25.303 and the DOP, which can reasonably occur simultaneously, should be taken into account with a factor of 1.5 applied to the DOP. In this case the overall structural integrity of the element should be maintained. However, it may be permissible for this element to suffer leakage, permanent deformation, operational/functional failure or any combination of these conditions. Where appropriate, thermal effects should also be accounted for in the strength justification.

(4) Ref. CS 25.1435(a)(4) Fatigue, the repeated load cycles of an element, is a significant contributor to element failure. Hydraulic elements are mainly subjected to pressure loads, but may also see externally induced load cycles (e.g. structural, thermal, etc.). The applicant should define the load cycles for each element. The number of load cycles should be evaluated to produce equivalent fatigue

CS-25 BOOK 2

damage encountered during the life of the aeroplane or to support the assumptions used in demonstrating compliance with CS 25.1309. For example, if the failure analysis of the system allows that an element failure may occur at 25% of aeroplane life, the element fatigue life should at least support this assumption.

(5) Ref. CS 25.1435(a)(5) Aeroplane environmental conditions that an element should be designed for are those under which proper function is required. They may include, but are not limited to temperature, humidity, vibration, acceleration forces, icing, ambient pressure, electromagnetic effects, salt spray, cleaning agents, galvanic, sand, dust and fungus. They may be location specific (e.g., in pressurised cabin vs. in un-pressurised area) or general (e.g. attitude). For further guidance on environmental testing, suitable references include, but are not limited to, Military Standard, MIL-STD-810 "Environmental Test Methods and Engineering Guidelines", The European Organisation for Civil Aviation Equipment Document ED-14G "Environmental Conditions and Test Procedures for Airborne Equipment" or International Organisation for Standardisation Document No. ISO 7137 "Environmental Conditions and Test Procedures for Airborne Equipment".

(b) System Design

Ref. CS 25.1435(b) Design features that should be considered for the elimination of undesirable conditions and effects are:

(a) Design and install hydraulic pumps such that loss of fluid to or from the pump cannot lead to events that create a hazard that might prevent continued safe operation. For example, engine driven pump shaft seal failure or leakage in combination with a blocked fluid drain, resulting in engine gearbox contamination with hydraulic fluid and subsequent engine failure.

(b) Design the system to avoid hazards arising from the effects of abnormally high temperatures, which may occur in the system under fault conditions.

(1) Ref. CS 25.1435(b)(1) Appropriate system parameters may include, but are not limited to, pump or system temperatures and pressures, system fluid quantities, and any other parameters which give the pilot indication of the functional level of the hydraulic systems.

(2) Ref. CS 25.1435(b)(2) Compliance may be shown by designing the systems and elements to sustain the transients without damage or failure, or by providing dampers, pressure relief devices, etc.

(3) Ref. CS 25.1435(b)(3) Harmful or hazardous fluid or vapour concentrations are those that can cause short term incapacitation of the flight crew or long term health effects to the passengers or crew. Compliance may be shown by taking design precautions, to minimise the likelihood of releases and, in the event of a release, to minimise the concentrations. Suitable precautions, based on good engineering judgement, include separation of air conditioning and hydraulic systems, shut-off capability to hydraulic lines, reducing the number of joints and elements, shrouding, etc. In case of leakage, sufficient drainage should be provided.

(4) Ref. CS 25.1435(b)(4) Unless it has been demonstrated that there are no circumstances which can exist (on the aeroplane) under which the hydraulic fluid can be ignited in any of its physical forms (liquid, atomised, etc.), the hydraulic fluid should be considered to be flammable.

(5) Ref. CS 25.1435(b)(5) If more than one approved fluid is specified, the term "suitable hydraulic fluid" is intended to include acceptable mixtures. Typical nameplate marking locations for hydraulic fluid use, are all hydraulic components having elastomer seals such as cylinders, valves, reservoirs, etc.

(c) Tests

Ref. CS 25.1435(c) Test conditions should be representative of the environment that the element, subsystem or system may be exposed to in the design flight envelope. This may include loads, temperature, altitude effects, humidity, and other influences (electrical, pneumatic, etc.). Testing may be conducted in simulators, or stand-alone rigs, integrated laboratory rigs, or on the aeroplane. The test plan should describe the objectives and test methods. All interfaces between the aeroplane elements and the test facilities should be adequately represented.

CS-25 BOOK 2

(1) Ref. CS 25.1435(c)(1) Testing for performance should demonstrate rates and responses required for proper system operation. Testing for fatigue (the repeated load cycling of an element) and endurance (the ability of parts moving relative to each other to continue to perform their intended function) should be sufficient to show that the assumptions used in demonstrating compliance with CS 25.1309 are correct, but are not necessary to demonstrate aeroplane design life. As part of demonstrating that the element(s), sub-system(s), or system(s) perform their intended functions, the manufacturer (applicant) may select procedures and factors of safety identified in accepted manufacturing, national, military, or industry standards, provided that it can be established that they are suitable for the intended application. Minimum design factors specified in those standards or the requirements may be used unless more conservative factors have been agreed with the Agency.

An acceptable test approach for fatigue or endurance testing is to:

- (a) Define the intended element life;
- (b) Determine the anticipated element duty cycle;
- (c) Conduct testing using the anticipated or an equivalent duty cycle.

(2) Ref. CS 25.1435(c)(2) The tests should include simulation of hydraulic system failure conditions in order to investigate the effect(s) of those failures, and to correlate with the failure conditions considered for demonstrating compliance with CS 25.1309. Relevant failure conditions to be tested are those, which cannot be shown to be extremely improbable, and have effects assessed to be major, hazardous, or have significant system interaction or operational implications.

(3) Ref. CS 25.1435(c)(3) Compliance with CS 25.1435(c)(3) can be accomplished by applying a test pressure to the system using aeroplane pumps or an alternate pressure source (e.g. ground cart). The test pressure to be used should be just below the pressure required to initiate system pressure relief (cracking pressure). Return and suction pressures are allowed to be those, which result from application of the test pressure to the pressure side of the system.

Some parts of the system(s) may need to be separately pressurised to ensure the system is completely tested. Similarly, it may be permissible that certain parts of the system need not be tested if it can be shown that they do not constitute a significant part of the system with respect to the evaluation of adequate clearances or detrimental effects.

[Amdt. 25/2]

[Amdt. 25/12]

AMC 25.1436(b)(3)
Pneumatic Systems

1 In systems in which the air pressure of the supply sources is significantly greater than the system operating pressure (e.g. an engine bleed-air tapping) due account should be taken of the consequences of failure of the pressure-regulating device when assessing the strength of the system, downstream of the device relative to the values of P_W , P_L and P_R .

2 Such devices should be protected as necessary against deleterious effects resulting from the presence of oil, water or other impurities, which may exist in the system.

AMC 25.1436(c)(2)
Pneumatic Systems

The loads due to vibration and the loads due to temperature effects are those loads, which act upon the elements of the system due to environmental conditions.

CS-25 BOOK 2

AMC 25.1438

Pressurisation and Low Pressure Pneumatic Systems

1 *Strength*

1.1 Compliance with CS 25.1309(b) in relation to leakage in ducts and components will be achieved if it is shown that no hazardous effect will result from any single burst or excessive leakage.

1.2 Each element (ducting and components) of a system, the failure of which is likely to endanger the aeroplane or its occupants, should satisfy the most critical conditions of Table 1.

TABLE 1

Conditions 1	Conditions 2
1.5 P_1 at T_1	3.0 P_1 at T_1
1.33 P_2 at T_2	2.66 P_2 at T_2
1.0 P_3 at T_3	2.0 P_3 at T_3
–	1.0 P_4 at T_4

P_1 = the most critical value of pressure encountered during normal functioning.

T_1 = the combination of internal and external temperatures which can be encountered in association with pressure P_1 .

P_2 = the most critical value of pressure corresponding to a probability of occurrence 'reasonably probable'.

T_2 = the combination of internal and external temperatures which can be encountered in association with pressure P_2 .

P_3 = the most critical value of pressure corresponding to a probability of occurrence 'remote'.

T_3 = the combination of internal and external temperatures which can be encountered in association with pressure P_3 .

P_4 = the most critical value of pressure corresponding to a probability of occurrence 'extremely remote'.

T_4 = the combination of internal and external temperatures which can be encountered in association with pressure P_4 .

1.3 After being subjected to the conditions given in column 1 of Table 1, and on normal operating conditions being restored, the element should operate normally and there should be no detrimental permanent distortion.

1.4 The element should be capable of withstanding the conditions given in column 2 of Table 1 without bursting or excessive leakage. On normal operating conditions being restored, correct functioning of the element is not required.

1.5 The element should be capable of withstanding, simultaneously with the loads resulting from the temperatures and pressures given in the Table, the loads resulting from –

- a. Any distortion between each element of the system and its supporting structures.
- b. Environmental conditions such as vibration, acceleration and deformation.

1.6 The system should be designed to have sufficient strength to withstand the handling likely to occur in operation (including maintenance operations).

2 *Tests*

2.1 *Static tests.* Each element examined under 1.2 should be static-tested to show that it can withstand the most severe conditions derived from consideration of the temperatures and pressures given in the Table. In addition, when necessary, sub-systems should be tested to the most severe conditions of

CS-25 BOOK 2

1.2 and 1.5. The test facility should be as representative as possible of the aircraft installation in respect of these conditions.

2.2 *Endurance tests.* When failures can result in hazardous conditions, elements and/or sub-systems should be fatigue-tested under representative operating conditions that simulate complete flights to establish their lives.

AMC 25.1441(d)

Oxygen Equipment and Supply

In assessing the required oxygen flow rates and equipment performance standards, consideration should be given to the most critical cabin altitude/time-history following any failure, not shown to be Extremely Improbable, which will result in the loss of cabin pressure taking into account the associated emergency procedures.

AMC 25.1447(c)

Equipment Standards for Oxygen Dispensing Units

Where Operational Regulations do not require all passengers to be provided with oxygen, (c)(3) and (c)(4) may not apply.

AMC 25.1447(c)(1)

Equipment Standards for Oxygen Dispensing Units

- 1 When oxygen masks are presented, oxygen should be supplied to the mask but without flow.
- 2 Oxygen flow from the mask should be initiated automatically on pulling the mask to the face.
- 3 Facilities for manual presentation by a crewmember should be provided on each dispensing unit.
- 4 Indication of the operation of the automatic presentation system should be provided at the appropriate flight-crew station.
- 5 The design of the automatic presentation system should take into account that when the landing field altitude is less than 610 m (2000 feet) below the normal preset automatic presentation altitude, the automatic presentation altitude may be reset to landing field altitude plus 610 m (2000 feet).

AMC 25.1447(c)(2)

Equipment Standards for Oxygen Dispensing Units

Unless it is required that the pilot at the control is wearing his mask and breathing oxygen while the altitude exceeds 7620 m (25 000 feet), the design of the flight-crew masks and their stowages should be such that each mask can be placed in position and put into operation in not more than five seconds, one hand only being used, and will thereafter remain in position, both hands being free.

AMC 25.1447(c)(3)

Equipment Standards for Oxygen Dispensing Units

If oxygen outlets are not provided in a dedicated area, called here 'remote area', the applicant should demonstrate that oxygen dispensing outlets are within 'five feet/five seconds' reach of the remote area(s) and should show that no visual obstruction exists between the potential oxygen users and the outlets, such as curtains or partitions, unless another method of indication (e.g. a light) is provided in the remote area.

CS-25 BOOK 2

[Amdt No: 25/2013]

AMC 25.1447(c)(4)**Equipment Standards for Oxygen Dispensing Units**

- 1 The equipment should be so located as to be within reach of the cabin crewmembers while seated and restrained at their seat stations.
- 2 The mask/hose assembly should be already connected to the supply source, and oxygen should be delivered with no action being required except turning it on and donning the mask.
- 3 Where a cabin crewmember's work area is not within easy reach of the equipment provided at his seat station, an additional unit should be provided at the work area.

AMC 25.1457**Cockpit Voice Recorders**

In showing compliance with CS 25.1457, the applicant should take account of EUROCAE document No. ED-56 'Minimum Operational Performance Requirement for Cockpit Voice Recorder System', as referred to in ETSO-C123a.

[Amdt. 25/2]

AMC 25.1459(a)(4)**Flight Recorders**

An acceptable means of compliance would be to provide a combination of system monitors and built-in test functions, which would detect and indicate the following:

- a. Loss of electrical power to the flight recorder system.
- b. Failure of the data acquisition and processing stages.
- c. Failure of the recording medium and/or drive mechanism.
- d. Failure of the recorder to store the data in the recording medium as shown by checks of the recorded data including, as reasonably practicable for the storage medium concerned, correct correspondence with input data.

AMC 25.1459(b)**Flight Recorders**

- 1 The phrase 'as far aft as practicable' should be interpreted as a position sufficiently aft as to be consistent with reasonable maintenance access and in a position to minimise the probability of damage from crash impact and subsequent fire.
- 2 The container should remain attached to the local structure under normal, longitudinal and transverse accelerations of at least 10 g.

CS-25 BOOK 2**AMC – SUBPART G****AMC 25.1501****Operating Limitations and Information – General**

The limitations and information established in accordance with Subpart G should be only those which are within the competence of the flight crew to observe, and should relate only to those situations (including pre- and post-flight) with which a flight crew member might reasonably be concerned.

AMC 25.1519**Weight, Centre of Gravity and Weight Distribution**

A statement of the maximum certificated take-off and landing weights, and the minimum certificated take-off and landing weights, should be established, together with the maximum ramp or taxiing weight, the maximum zero-fuel weight and any other fixed limit on weight, including weight limitations resulting from such factors as brake energy limits, tyre limits, etc., established in accordance with the airworthiness standards of CS-25. Any limitations on aeroplane loading associated with the stated weight limitations (e.g. fuel load and usage, maximum fuel for landing) should be considered.

AMC 25.1521**Power-Plant Limitations**

1 In furnishing limitations, consideration should be given to the following. The list does not necessarily include all the items to be considered for a given aeroplane.

- a. Rotational speeds.
- b. Exhaust and/or turbine gas temperature.
- c. Oil temperatures and pressures.
- d. Fuel temperatures and pressures.
- e. Water and/or water methanol usage.
- f. Anti-icing.
- g. Specifications of approved fuels, oils and additives.

2 Other parameters, e.g. time, altitude, ambient temperatures, airspeed, may be necessary in defining power-plant limitations.

3 All operating phases should be considered in establishing the power-plant limitations.

AMC 25.1523**Minimum Flight Crew**

1 Both the number and identity of the flight crew members should be established.

2 If the minimum flight crew varies with the kinds of operation to which the aeroplane is limited, the approved number and identity of the flight crew members should be stated for each kind of operation.

3 If a particular flight crew member's station has to be occupied at all material times, this should be stated when specifying the minimum flight crew.

CS-25 BOOK 2**AMC 25.1533(a)(3)****Take-off distances on runways with a grooved or porous friction course surface**

Runways that have a grooved or porous friction course (PFC) surface can maintain a significantly higher wheel-braking coefficient of friction when wet than can runways that lack such surface treatments. Where take-off distance information specifically applicable to such runways has been established, this higher level of friction has been taken into account in accordance with CS 25.109(d). It is therefore essential that such information is only approved for use on runways having a grooved or PFC surface that has been constructed and maintained to acceptable standards. FAA AC 150/5320-12B 'Measurement, Construction and Maintenance of Skid-Resistant Airport Paving Surfaces' provides guidance on such standards. Where such operational approval has not been obtained, the performance information applicable to a smooth, hard-surfaced runway must be used.

AMC 25.1541**Markings and Placards – General**

Markings or placards should be placed close to or on (as appropriate) the instrument or control with which they are associated. The terminology and units used should be consistent with those used in the Flight Manual. The units used for markings and placards should be those that are read on the relevant associated instrument.

AMC 25.1543**Instrument Markings – General**

The markings should be such that the instrument remains easily readable with the minimum of confusion.

AMC 25.1545**Airspeed Limitation Information**

A placard could be used when the speed limitation can be a simple presentation (e.g. an IAS speed up to a given altitude and an indicated Mach number thereafter). A complex speed limitation should be presented automatically on the instrument, (e.g. by means of an additional moving pointer).

AMC 25.1549**Powerplant Instruments**

1 Powerplant instrument range markings are intended to indicate to flight crew members, at a glance, that the powerplant operation is being accomplished in a safe or desirable, undesirable but allowable, or unsafe region. The colour red indicates an unsafe condition which requires immediate and precise action by the flight crew. The use of multiple red lines should be avoided to minimise confusion.

2 A precautionary range is a range where limited operation is permissible, as indicated in the aeroplane Flight Manual. Experience has shown that to satisfy the requirement for clearly visible markings, the following minimum dimensions should be observed.

- a. *Red, yellow and green lines.* 1.3 mm (0.05 inch) wide and 7.6 mm (0.3 inch) long.
- b. *Red, yellow and green arcs and areas.* 2.5 mm (0.1 inch) wide, length as required.

CS-25 BOOK 2

AMC 25.1557(a) **Baggage and Cargo Compartment and Ballast Location**

If baggage, cargo compartment and ballast location limitations are complex and involve, for example, additional limitations on loading intensity and distribution, it is acceptable to provide a placard making reference to the appropriate document.

AMC 25.1581 **Aeroplane Flight Manual**

1 *PURPOSE*

The primary purpose of the European Aviation Safety Agency (EASA) approved Aeroplane Flight Manual (AFM) is to provide an authoritative source of information considered to be necessary for safely operating the aeroplane. This Acceptable Means of Compliance (AMC) identifies the information that must be provided in the AFM under the airworthiness regulations and provides guidance as to the form and content of the approved portion of an AFM. Although mandatory terms such as 'shall' or 'must' are used in this AMC, because the AMC method of compliance is not mandatory, these terms apply only to applicants who seek to demonstrate compliance by following the specific procedures described in this AMC.

2 *RELATED CERTIFICATION SPECIFICATIONS (CS)*

Paragraphs 25.1581, 25.1583, 25.1585, 25.1587 and 25.1591 of the CS and noise regulations identify the information that must be provided in the AFM. Paragraph 25.1581 also requires 'other information that is necessary for safe operation because of the design, operating, or handling characteristics'. Additional related requirements are the applicable operational rules.

3 *DEFINITIONS*

a. *Aeroplane Flight Manual (AFM)*. A EASA approved document that contains information (limitations, operating procedures, performance information, etc.) necessary to operate the aeroplane at the level of safety established by the aeroplane's certification basis.

b. *Flight Crew Operating Manual (FCOM)*. A document developed by a manufacturer that describes, in detail, the characteristics and operation of the aeroplane or its systems.

c. *Safe Operation*. For the purposes of this AMC, safe operation means operation of the aeroplane in a manner that is mandatory, or is recommended, for compliance with the airworthiness requirements.

d. *Limitation*. For the purposes of this AMC, an AFM limitation establishes the approved bounds of operation of the aeroplane or its systems.

e. *Aeroplane Flight Manual Warnings, Cautions and Notes*. The AFM contains operating procedures, techniques, etc. that may be categorised as warnings, cautions and notes as defined in the following paragraphs. The following definitions should not be confused with the colour requirements prescribed in CS 25.1322 for warning, caution and advisory lights installed in the cockpit.

(1) **Warning**. An operating procedure, technique, etc. that may result in personal injury or loss of life if not followed.

(2) **Caution**. An operating procedure, technique, etc. that may result in damage to equipment if not followed.

(3) **Note**. An operating procedure, technique, etc. considered essential to emphasise. Information contained in notes may also be safety related.

CS-25 BOOK 2

- f. *Procedure.* A procedure is a step-by-step method used to accomplish a specific task.
- (1) **Emergency.** A procedure requiring immediate flight crew action to protect the aeroplane and occupants from serious harm.
 - (2) **Abnormal or Non-normal.** A procedure requiring flight crew action, due to failure of a system or component, to maintain an acceptable level of airworthiness for continued safe flight and landing.
 - (3) **Normal.** A procedure associated with systems that are functioning in their usual manner.
- g. *Revision.* A change to the content of the AFM through the addition, deletion, or modification of material.
- h. *Appendices and Supplements.* Additions to the AFM that may or may not supersede existing AFM material.
- (1) **Appendix.** An addition to the AFM to cover the installation of optional equipment or specific operations (engine inoperative ferry, reduced thrust or power takeoff, configuration deviation list (CDL), etc.).
 - (2) **Supplement.** Information that supersedes or is in addition to the basic AFM resulting from the issuance of a supplemental type certificate (STC), or from approved changes to AFM limitations, procedures, or performance information without an STC.

4 *DISCUSSION*

The AFM provides information to safely operate the aeroplane under normal, abnormal and emergency conditions. The AFM contains the operating limitations, operating procedures, and performance information for the aeroplane.

- a. *Historically, the AFM was often* the only source of information available to the flight crew for safely operating a transport category aeroplane. Consequently, the form and content of these earlier AFMs were designed to meet the needs of the flight crew. For example, very detailed operating procedures were presented in a form easily used in the cockpit (e.g., checklist format).
- b. *As more complex equipment was incorporated into transport category aeroplanes,* many aeroplane and equipment manufacturers developed separate operating manuals intended for on-board use by the flight crew. These operating manuals are generically referred to within this AMC as Flight Crew Operating Manuals (FCOM). By locating information such as cockpit checklists, systems descriptions and detailed procedures in the FCOM, the bulk and complexity of the AFM can be kept manageable. As a result, the AFM for many transport aeroplanes has evolved into more of a reference document than a document used frequently by the flight crew. In recognition of the usefulness and convenience provided by these FCOMs, the normal operating procedures information in the AFMs for these transport category aeroplanes should be limited to those procedures considered 'peculiar' to the operation of that aeroplane type.
- c. *The AFM should be limited to the smallest practicable amount* of material that is appropriate for the intended operation of the aeroplane. In general, the systems descriptions and procedures provided in the AFM for most large transport aeroplanes should be limited to that which is uniquely related to aeroplane safety or airworthiness. Since the AFM still serves as the sole operating manual for many small transport category aeroplanes, these AFMs should continue to contain detailed operating information.

CS-25 BOOK 2

d. *Widespread use of computers* has led to the capability of replacing or supplementing parts of the conventional paper AFM with a computerized version. Guidance for EASA approval of computerized AFM information is presented in Appendix 1 of this AMC.

5 GENERAL GUIDELINES

Previously approved AFMs are unaffected by this AMC. When such manuals are amended, the concepts of this AMC should be applied, if practicable.

a. *Segregation of Approved and Unapproved Material.* Paragraph 25.1581 of the CS requires that EASA approved information be segregated, identified, and clearly distinguished from each unapproved part of the AFM. Unapproved material should be labelled that it is for guidance information only, and must be located in a different section than the approved material.

b. *Provisions for approval of and revisions to the AFM are as follows:*

(1) Each page of the approved portion should bear the notation, 'EASA Approved', a unique date of approval or revision number for that page, the aeroplane type or model designation, and an appropriate document identification number. For AFM pages produced by an STC applicant, both the STC applicant's name and the aeroplane type or model designation should appear.

(2) All AFMs, revisions, appendices, and supplements requiring EASA approval must be submitted to the EASA. A log of currently approved pages in the AFM should be furnished in each copy of the manual. A location should be provided on the log for the approval signature and the approval date. Alternatively, a specific approval page can be furnished for the approval signature and the current revision status.

(3) When revisions are incorporated, a means of indicating those parts of the information that have been changed should be provided. For example, vertical bars placed in the margin of the revised page may be used for this purpose. Each revised page should be identified in the same manner as the original, with the exception of the new date and revision notation, as applicable.

(4) Appendices and supplements should be incorporated in the AFM in a separate section appropriately identified at the end of the basic manual. Supplements should normally follow appendices. Format, page identification, organisation, and other details should be the same as that of the basic manual.

(5) Appendices and supplements may be developed by the TC holder, STC applicant, or the operator, and should be submitted for evaluation and approval according to EASA certification procedures. Usually, the TC holder writes appendices to the AFM, and an STC applicant or operator supplements the AFM. However, an STC applicant may elect to produce a completely new AFM.

(6) It may be necessary to provide a greater amount of descriptive and procedural information in appendices and supplements than that appearing in the basic AFM, if the appendix or supplement is the only source for this information.

c. *The AFM may address either a single aeroplane model (i.e., hardware build) or several models of the same aeroplane type.* If information is provided for more than one model, the AFM should clearly identify which operating limitations, operating procedures, and performance information apply to each model (e.g., by model designation, serial number, etc.). If the AFM format is such that different pages apply to different aeroplanes, the log of pages should clearly identify the specific pages of the AFM that apply to each aeroplane.

d. *Any required weight and balance information* that is not a physical part of the AFM, must be incorporated by reference in the Limitations Section of the AFM per CS 25.1583(c) and AMC 25.1583(c).

CS-25 BOOK 2

e. *Aeroplane Flight Manual Units.* The AFM units should be consistent with the flight deck instrumentation, placards, and other measuring devices for a particular aeroplane. The AFM should be given in SI units (International System of Units). This does not apply to the units of measurement related to:

- airspeed : knots.
- altitude : feet.
- vertical speed : feet per minute.
- navigational distance : nautical miles.

Systems of units must be properly identified and presented. Multiple scales may be used on AFM charts to show different units, e.g., pounds and kilograms. However, the charts should be constructed to minimise any misunderstanding or interpolation problems by, for example, using a transfer scale so that principal values of each of the units are on major grid lines or index marks.

6 AEROPLANE FLIGHT MANUAL CONTENTS

The AFM should be divided into the following sections, as appropriate for the specific aeroplane type or model. For purposes of standardisation, it is recommended that the sequence of sections and of items within sections follow this outline.

a. *Introductory Section.* The intent of the introductory material is to identify the revision status and control the applicability and content of the AFM. The normal content of this section is as follows:

- (1) Title page. The title page should include the manufacturer's name, the aeroplane model designation, the commercial designation or name, if any, assigned to the aeroplane, and an appropriate document identification number. Provision should be made for the inclusion of the approval date of the basic document and the signature, name, and title of the EASA approving official.
- (2) Log of revisions.
- (3) Revision highlights, if appropriate.
- (4) Log of pages (including all information necessary to determine which pages apply to a given aeroplane model (i.e., hardware build)).
- (5) Compatibility listing of appendices and supplements produced by the aeroplane manufacturer.
- (6) Table of contents. (Alternatively, a table of contents for each section may be placed at the beginning of that section.)
- (7) List of abbreviations.

b. *Limitations Section.* The purpose of the Limitations Section is to present those operating limitations appropriate to the aeroplane model as established in the course of the type certification process in determining compliance with the applicable certification requirements (e.g., CS-25 and noise regulations). The operating limitations must be expressed in mandatory, not permissive, language. The terminology used in the AFM must be consistent with the relevant regulatory language. Limitations prescribed by operating rules may be incorporated as appropriate.

- (1) Weight Limitations. A statement of the maximum certificated take-off and landing weights must be provided. The maximum taxi/ramp weight, maximum zero-fuel weight, and any other fixed limit on weight, should also be included. Any limitations on aeroplane loading associated with the stated weight limitations must be included in the AFM or addressed in a separate weight and balance document. Separate take-off and landing weight limits may be listed corresponding to each applicable constraint (e.g., structural or noise requirements, customer option, etc.), if the instructions in the Limitations Section clearly state that the most restrictive of these take-off and landing weight limitations represent the maximum certified weights.

CS-25 BOOK 2

(i) For those performance weight limits that vary with runway length, altitude, temperature and other variables, the variation in weight limitations may be presented as graphs in the Performance Section of the AFM and included as limitations by specific reference in the Limitations Section.

(ii) Only one set of noise limited take-off and landing weights may be established for a specific aeroplane model (i.e., hardware build).

(2) Noise limitations. An aeroplane model (i.e., hardware build) may not be identified as complying with the requirements of more than one noise stage level at a time. The operating limitations contained in the Limitations Section of the AFM should comply with the noise certification criteria for that stage. If the noise certification status of an aeroplane model is upgraded to a more stringent stage level the AFM must either be revised or supplemented, whichever is appropriate, to include only information appropriate to the new stage level.

(i) Landing Flap Restriction. An operating limitation preventing the use of an approved landing flap setting to comply with noise requirements can only be established under the airworthiness requirements or as a voluntary design change. A statement must be added to the Limitations Section to preclude using that landing flap setting for normal operations. Emergency procedures may, however, continue to use the restricted flap setting. A placard must be placed in the aeroplane and appropriate other means must be installed (e.g., crushable guard on the restricted portion of the flap selection quadrant), to prevent using the restricted flap setting for normal operations.

(ii) Reduced and Derated Take-off Thrust or Power. Noise certification levels are determined at the maximum all-engines operating take-off thrust or power. Reduced and derated thrust or power are not changes that would invalidate the noise certification status of the aeroplane, provided the full rated take-off thrust or power remains approved for that aeroplane.

(3) Operating Limitations. The extremes of the operational variables, including any appropriate descriptions for which compliance with the certification requirements has been shown and for which the AFM data have been approved, should be listed with respect to the following:

(i) Operations.

(A) Maximum take-off, landing and zero-fuel weight limits.

(B) Minimum in-flight weight.

(C) Minimum and maximum pressure altitude for which operation is limited for each flight phase (take-off, en route and landing). Further altitude limitations caused by changes to structure, powerplant, equipment characteristics or flight characteristics (e.g. due to failures) should be provided.

(D) Ambient atmospheric temperature (maximum and minimum).

(E) Minimum control speed. (This information may be located in the Performance Section of the AFM, with cross-reference in the Limitations Section.)

(F) Maximum tailwind. The maximum allowable tailwind component for take-off and landing should normally be limited to 10 knots. If airworthiness approval has been granted for take-off and landing in tailwinds greater than 10 knots, the AFM should provide the limiting tailwind value, accompanied by a statement such as the following:

The capability of this aeroplane has been satisfactorily demonstrated for take-off and manual landing with tailwinds up to knots. This finding does not constitute operational approval to conduct take-offs or landings with tailwind components greater than 10 knots.

CS-25 BOOK 2

(G) Maximum demonstrated crosswind.

(1) If the maximum demonstrated crosswind is considered to be limiting for either take-off or landing, the crosswind limitation must be stated in the Limitations Section. If the crosswind value is considered to be limiting for one type of operation (e.g. autoland) but not for another, the crosswind limitation may also state the specific operations to which it applies.

(2) If the maximum crosswind value demonstrated under CS 25.237 is considered to be not limiting for both take-off and landing operations, the demonstrated crosswind value may be presented in a section other than the Limitations Section.

(H) Runway slope. Limitations and performance information should normally be restricted to runway gradients up to ± 2 percent. Limitations for runway slopes greater than ± 2 percent may be approved if the effects of the larger slopes are validated in a manner acceptable to the EASA.

(I) Runway surface type (smooth and hard-surfaced, or any other type approved).

(ii) En route Flight Paths.

(A) Maximum altitude.

(B) Ambient atmospheric temperature (maximum and minimum).

(C) In accordance with CS 25.123(a), en route flight path data must be presented in the AFM for all altitudes and temperatures within the operating envelope limits of the aeroplane.

(4) Centre-of-Gravity Limits. Indicate by using tables or graphs the centre of gravity (c.g.) limits for taxi, take-off and landing, zero fuel weight, and for any other practicably separable flight condition. As appropriate, data should be provided for a range of weights between the maximum taxi weight and the minimum in-flight weight. The data should be shown with the appropriate gear position for the phase of flight, and gear effects on the centre-of-gravity should be built into the charts. Data may be presented for gear-extended position only if there is proper accounting for the moment change due to gear retraction. The c.g. limits should be presented in terms of either the distance-from-a specified datum or as a percentage of the mean aerodynamic chord (MAC). Either the location of the datum or the length and location of the MAC should be stated, as applicable. If alternate forward c.g. limits have been approved, these limits should be presented and appropriately identified.

(5) Fuel Limitations. A statement in accordance with CS 25.1585(d) must be included. Operating limitations due to fuel related considerations (e.g. lateral fuel imbalance, fuel management, fuel temperature) and their effects on altitude limitations (e.g. boost pump(s) inoperative, fuel type) should also be provided.

(6) Powerplant Limitations.

(i) State all limitations necessary to ensure safe operation of engines, propellers, fuel systems and powerplant accessories, including auxiliary powerplants (see CS 25.1521 and 25J1521). If the use of reduced or derated take-off thrust or power is requested, then any associated operating or performance limitations should be included in accordance with acceptable reduced and derated take-off thrust or power procedures. Limitations related to the use of reverse thrust in flight or on the ground should be clearly identified. Any engine limitations associated with operations in adverse weather (heavy rain, hail, turbulence, lightning, etc.) should be specified. Any icing conditions that may impact the normal operation of the engine should also be defined.

(ii) Because engine ice protection is critical to safety in icing conditions, a statement should be included in the Limitations Section that the engine ice protection must be on during all ground and flight operations when icing conditions exist or are anticipated. The following definition of icing conditions should also be included in the Limitations Section:

CS-25 BOOK 2

Icing conditions – Icing conditions exist when outside air temperature (OAT) on the ground and for take-off, or total air temperature (TAT) in flight, is 10 degrees C or below and visible moisture in any form is present (such as clouds, fog with visibility of one mile or less, rain, snow, sleet or ice crystals).

Icing conditions also exist when the OAT on the ground and for take-off is 10 degrees C or below when operating on ramps, taxiways, or runways where surface snow, ice, standing water or slush may be ingested by the engines or freeze on engines, nacelles or engine sensor probes.

(7) **Airspeed and Mach Number Limitations.** All airspeed limitations should be in terms of indicated airspeed and in units of knots or Mach number, where applicable and should be consistent with cockpit indication. If airspeed or Mach number limitations vary with altitude or loading conditions, such variation must be shown. Limitations data must be included for at least the following:

(i) Maximum operating limit speed, V_{MO}/M_{MO} , together with a statement that this speed limit may not be deliberately exceeded in any regime of flight (climb, cruise or descent), unless a higher speed is authorised for flight test or pilot training. The last phrase (unless a higher speed is authorised for flight test or pilot training) may be omitted at the option of the applicant.

(ii) Manoeuvring speed, V_A , together with a statement that full application of longitudinal, directional and lateral flight controls, as well as manoeuvres that involve angles-of-attack near the stall, should be confined to speeds below this value.

(iii) Flap-extended speed, V_{FE} , for each approved flap and high lift device position.

(iv) Landing gear operating speed, V_{LO} , together with a statement that this is the maximum speed at which it is safe to extend or retract the landing gear. If different speeds are established for extension and retraction, each speed should be listed and defined.

(v) Landing gear extended speed, V_{LE} , together with a statement that this is the maximum speed at which the aeroplane can be safely flown with the landing gear extended and locked.

(vi) Any other limiting speeds for extendable devices other than the landing gear, should be included as applicable (e.g. spoilers, thrust reversers, landing lights, ram air turbine (RAT), windows that may be opened in flight, etc.).

(8) **Manoeuvring Load Factor Limitations.** The positive and negative flight manoeuvring limit load factors (expressed in terms of 'g's') for which the structure is approved should be provided, including any variation with the position of the high lift devices.

(9) **Kinds of Operations.** This subsection should contain a statement similar to the following:

This aeroplane is certificated as a Large Turbine-powered Aeroplane and is eligible for the following kinds of operations when the appropriate instruments and equipment required by the airworthiness and operating requirements are installed and approved and are in operable condition.

The approval status of the following should be stated:

- (i) Operation in atmospheric icing conditions.
- (ii) Extended over-water operation.
- (iii) Extended range operations with two-engine aeroplanes (ETOPS).
- (iv) Day and night operations under visual flight rules (VFR).

CS-25 BOOK 2

- (v) Operations under instrument flight rules (IFR).
- (vi) Backing the aeroplane with reverse thrust.
- (vii) Category I, II or III operations.
- (10) Minimum Flight Crew. The minimum number of flight crew approved to operate the aeroplane should be stated.
- (11) Systems and Equipment Limitations. All limitations applicable to systems and equipment installations that are considered necessary for safe operation must be included. Examples of systems and equipment installations for which limitations may be appropriate include, but are not limited to, electrical, hydraulic, pneumatic, cabin pressurisation, air conditioning, airframe fire protection, airframe ice protection, auto braking systems, autopilot, autothrottle, flight director, yaw damper, anti-skid devices, performance or flight management system (including software identifier if displayable), etc.
- (12) Miscellaneous Limitations. This item should include any information not specified under the preceding headings but necessary, as a limitation, to ensure safe operation of the aeroplane.

c. *Operating Procedures Section.* The Operating Procedures Section of the AFM should contain, as a minimum, the essential information, peculiar to the particular aeroplane type design, that is needed for safe operation under normal and other-than-normal conditions. Procedures not directly related to airworthiness, or not under control of the flight crew, should not be included in the AFM. A notation similar to the following should be placed at the beginning of the Operating Procedures Section.

The operating procedures contained in this manual have been developed and recommended by the manufacturer and approved by the EASA for use in operating this aeroplane. These procedures are provided as guidance and should not be construed as prohibiting the operator from developing equivalent procedures in accordance with the applicable operating rules.

- (1) Procedures Categories. Information should be presented for normal, non-normal, and emergency procedures and be distinctly separated. Procedural tasks considered to be recall or immediate action items, which must be accomplished from memory, should be clearly identified.
- (2) Format. Procedures should be presented either in a narrative or a checklist format, depending upon the intended use of the AFM.
 - (i) Narrative. This format is acceptable if sources of procedures information other than the AFM are intended for flight crew use (e.g. Flight Crew Operating Manual (FCOM)). Procedures presented in this format should be drafted in a manner from which the needed sequence can be easily established.
 - (ii) Checklist. This format should be used if the AFM is intended to be used directly by the flight crew for operating procedures.
- (3) Procedures Development. Prior to initial type certification, it is essential to verify that proposed procedures are technically valid and operationally practicable. It is recognised that such procedures may have had only limited operational exposure at the time of certification and may need to be revised based on service experience.
- (4) Procedures Content. The content and level of detail for the normal, non-normal, and emergency procedures provided in the AFM should be based on the intended use of the AFM. More information and detail should be provided in AFMs that are intended to be the flight crew's primary sources of operating procedures information than for AFMs that are not intended to be used directly by the flight crew.
 - (i) General. Classifying an operating procedure as normal or as non-normal should reflect whether the aeroplane's systems are operating normally. Procedures associated with failed or

CS-25 BOOK 2

inoperative systems should be considered non-normal. Procedures associated with glideslope deviation, ground proximity warning, all engines operating go-around, turbulent air penetration, etc, which do not occur routinely, should be placed in the normal procedures subsection, provided the aeroplane's systems are operating normally.

(ii) **Other Sources of Procedures Information.** The flight crew of large transport category aeroplanes typically use other sources of operating procedures information other than the AFM. Examples of other sources of operating procedures information include manufacturer- or operator-produced operating manuals, Quick Reference Handbooks (QRH), System Pilot's Guides and Emergency or Abnormal Checklists. For these aeroplanes, items such as cockpit checklists, systems descriptions, and the associated normal procedures should not be presented in the AFM if they are provided in other documents acceptable to the Agency. Normal procedures that are necessary for safe operation should be presented in the AFM, but the remaining normal procedures should be placed in the manufacturer produced FCOM (or other acceptable sources of operating procedures information). The non-normal procedures section of the AFM for these types of aeroplanes should include, as a minimum, procedures dictated by the aeroplane's system and failure modes, and may also include those emergency procedures listed in paragraph 6.c(5) of this AMC. Whenever procedures are provided in another source rather than the AFM, a statement should be placed in the appropriate procedures section of the AFM referencing where the detailed procedures information can be found.

(iii) **AFM Used Directly.** For those manufacturers and operators that do not produce other sources of procedures information (generally manufacturers and operators of small transports), the AFM is the only source of this information. In this circumstance, the AFM operating procedures information must be comprehensive and include information such as cockpit checklists, systems descriptions and associated procedures.

(5) **Emergency Procedures.** The emergency procedures can be included either in a dedicated section of the AFM or in the non-normal procedures section. In either case, this section should include the procedures for handling any situation that is in a category similar to the following:

- (i) Engine failure with severe damage or separation.
- (ii) Multiple engine failure.
- (iii) Fire in flight.
- (iv) Smoke control. The following should be clearly stated in the AFM:

After conducting the fire or smoke procedures, land at the nearest suitable airport, unless it is visually verified that the fire has been extinguished.

- (v) Rapid decompression.
- (vi) Emergency descent.
- (vii) Uncommanded reverser deployment in flight.
- (viii) Crash landing or ditching.
- (ix) Emergency evacuation.

d. **Performance Section.** This section of the AFM contains the performance limitations, other data required by the applicable airworthiness and noise regulations, and any special conditions that may apply. Additional information may be provided to assist the operator in complying with the operating rules or for implementing unique operational needs. The performance information should cover the operating range of weights, altitudes, temperatures, aeroplane configurations, thrust ratings, and any other operational variables stated as operational performance limitations for the aeroplane. If additional performance information is presented for operation at a specific altitude, these performance data

CS-25 BOOK 2

should cover a pressure altitude span of at least the specific altitude $\pm 1,000$ feet to allow an operator to adequately account for pressure altitude variations. It is recommended that such data be included as a separate section or appendix to the AFM.

(1) General. Include all descriptive information necessary to identify the configuration and conditions for which the performance data are applicable. Such information should include the type or model designations of the aeroplane and its engines, the approved flap settings, a brief description of aeroplane systems and equipment that affect performance (e.g. anti-skid, automatic spoilers, etc.), and a statement indicating whether such systems and equipment are operative or inoperative. This section should also include definitions of terms used in the Performance Section (e.g. IAS, CAS, ISA, configuration, net flight path, icing conditions, etc.), plus calibration data for airspeed (flight and ground), Mach number, altimeter, air temperature and other pertinent information. The airspeed, altitude and air temperature calibration data should be presented for the following ranges:

- (i) Take-off configurations:
 - (A) Ground run, $0.8 V_{1MIN}$ to V_{2MAX} .
 - (B) In-flight, V_{2MIN} to V_{FE} .
- (ii) Approach and landing configurations:
 - (A) Approach, $1.13 V_{SR}$ to V_{FE} .
 - (B) Landing, $1.23 V_{SR}$ to V_{FE} .
- (iii) En route configuration:
 - (A) Airspeed and Altimeter: For the take-off/take-off path altitude range, $1.18 V_{SR}$ to V_{MO}/M_{MO} .
 - (B) Airspeed and Altimeter: For higher altitudes, from $1.18 V_{SR}$ or the speed for 1.2 g buffet onset margin, whichever is lower, to V_{MO}/M_{MO} .
 - (C) Mach Number: From the lowest useful Mach number (generally in the range of 0.4 to 0.5) to M_{MO} .
 - (D) Total or Static Air Temperature: For Mach numbers corresponding to the speed ranges noted in paragraphs 6.d(1)(iii)(A) and (B) of this AMC.

(2) Performance Procedures. The procedures, techniques and other conditions associated with the AFM performance data should be included. Performance procedures may be presented as a performance subsection or in connection with a particular performance graph. In the latter case, a comprehensive listing of the conditions associated with the particular performance data may serve as procedures if sufficiently complete. The AFM should also include adequate information to enable the operator to show compliance with CS 25.1001 for each take-off.

(3) Thrust or Power Setting. Thrust or power settings should be provided for at least take-off, maximum continuous, and go-around thrust or power, along with the thrust or power setting procedures necessary to obtain the performance shown in the AFM. These data should be shown for each applicable thrust or power setting parameter. If backing the aeroplane by reverse thrust is proposed, thrust setting limits should be established considering contaminated runway, foreign object damage potential, environmental control system impact, aeroplane weight and c.g., cockpit visibility, effect of braking, etc.

(4) Minimum Control Speeds. Minimum control speed data may be located in the Performance Section with a reference in the Limitations Section as to its location.

CS-25 BOOK 2

(5) **Stall Speeds.** The stall speeds established in showing compliance with certification requirements should be presented, together with associated conditions. Data should be presented in terms of calibrated airspeed. If applicable, stall speed increments with accreted ice must be provided.

(6) **Take-off Speeds.** The take-off speeds, V_1 , V_R and V_2 must be presented in the AFM, together with the associated conditions. These speeds should be presented in units consistent with cockpit instrument indication. V_1 and V_R speeds should be based upon ground effect calibration data while V_2 speeds should be based upon free air calibration data. The take-off speeds associated with minimum control speeds and the maximum energy absorption capability of the brakes should be included. At the option of the applicant, the AFM may also include the V_1 speeds associated with unbalanced field lengths. At all conditions and aeroplane configurations represented in the AFM (i.e., at all altitudes, temperatures, weights, winds, runway slopes, flap settings, etc.), the accuracy of the V_1 speed should either 1) be within 1.5 knots of the V_1 speed used to calculate the take-off and accelerate-stop distances, or 2) not cause an increase to these distances of more than the greater of 100 feet or the incremental increase resulting from a 1.5 knots variation in V_1 speed.

(7) **Take-off and Accelerate-Stop Distances.** Take-off and accelerate-stop distances, complying with CS 25.105, 25.109, 25.113, and 25.1591 must be provided. At the option of the applicant, and with concurrence by the Agency, additional data may be provided for operations on other than smooth hard-surfaced runways.

(8) **Climb Limited Take-off Weight.** The climb limited take-off weight, which is the most limiting weight showing compliance with CS 25.121(a), (b) and (c), must be provided.

(9) **Miscellaneous Take-off Weight Limits.** Take-off weight limits should be shown for any equipment or characteristic of the aeroplane that imposes an additional take-off weight restriction (e.g. maximum tyre speed, maximum brake energy, fuel jettison consideration, inoperative system(s), etc.).

(10) **Take-off Climb Performance.** For the prescribed take-off climb aeroplane configurations, the climb gradients must be presented, together with associated conditions. The scheduled climb speed(s) should be included.

(11) **Take-off Flight Path Data.** Take-off flight paths, or performance information necessary to construct such paths, together with the associated conditions (e.g. procedures and speeds), should be presented for each approved take-off configuration. The presentation should include all flight path segments existing between the end of the take-off distance and the end of the take-off path, as defined in CS 25.111(a). Such data must be based upon net performance, as prescribed in CS 25.115(b) and (c).

(12) **En route Flight Path Data.** The net flight path gradient data prescribed in CS 25.123 must be presented, together with the associated conditions (e.g. procedures and speeds). Data must be presented for one- and two-engine-inoperative cases, as applicable, throughout the approved operating altitude and temperature envelope.

(13) **Climb Limited Landing Weight.** The climb limiting landing weight, which is the most limiting weight showing compliance with CS 25.119 and 25.121(d), should be provided.

(14) **Miscellaneous Landing Weight Limits.** Landing weight limits for any equipment or characteristic of the aeroplane configuration that imposes an additional landing weight restriction should be shown.

(15) **Approach Climb Performance.** For the approach climb configuration, the climb gradients (CS 25.121(d)) and weights up to maximum take-off weight (CS 25.1587(b)(3)) should be presented, together with associated conditions (e.g. procedures and speeds). The effects of ice accretion on unprotected portions of the airframe and the effects of engine and wing ice protection systems should be provided.

(16) **Landing Climb Performance.** Data for the landing climb configuration should be presented in a manner similar to that described for the approach configuration above.

CS-25 BOOK 2

(17) **Landing Approach Speeds.** The scheduled speeds associated with the approved landing distances and operational landing runway lengths (see paragraph 6.d(18) of this AMC) should be presented, together with associated conditions.

(18) **Landing Distance.** The landing distance from a height of 50 ft must be presented either directly or with the factors required by the operating regulations, together with associated conditions and weights up to the maximum take-off weight. For all landplanes, landing distance data must be presented for smooth, dry, hard-surfaced runways for standard day temperatures. With concurrence by the Agency, additional data may be presented for other temperatures and runway slopes within the operational limits of the aeroplane, or for operations on other than smooth, hard-surfaced runways. For all weather operations, additional landing performance data may be required.

(19) **Performance Limits and Information Variation with Centre of Gravity.** If performance information, (e.g. buffet boundary) is not presented for the most critical c.g. condition, the AFM should present the effect of variation with c.g.

(20) **Noise Data.** The noise levels achieved during type certification in accordance with the applicable noise requirements should be presented, together with associated conditions and with the following note:

No determination has been made by the EASA that the noise levels of this aircraft are or should be acceptable or unacceptable for operation at, into or out of any airport.

The noise levels achieved during type certification should be included in the AFM and consist of only one take-off, one sideline, and one approach noise level for each aeroplane model (i.e. hardware build). The noise certification standard complied with should accompany the noise level information to indicate the compliance status. Supplementary information (labeled as such) may be added to the AFM concerning noise levels for other configurations or conditions.

(21) **Miscellaneous Performance Data.** Any performance information or data not covered in the previous items that are required for safe operation because of unusual design features or operating or handling characteristics should be furnished. For example, the maximum quick turn around weight should be provided.

e. **Loading Instructions.** CS 25.1583 requires instructions necessary to ensure loading of the aeroplane within the established limits of weight and centre-of-gravity, and to maintain the loading within such limits in flight to be presented either in the AFM or included in a separate weight and balance document referenced in the AFM Limitations Section. If applicable, the loading instructions must refer to flight procedures that consider the change to the aeroplane's centre of gravity as fuel is consumed.

(1) **Loading Instructions Presented in a Separate Document.** If the loading instructions are presented in a separate document, the AFM Limitations Section should contain at least the following:

- (i) Maximum taxi weight limits.
- (ii) Maximum take-off weight limits.
- (iii) Maximum landing weight limits.
- (iv) Maximum zero fuel weight limits.
- (v) Minimum in-flight weight.
- (vi) Centre-of-gravity limits.
- (vii) Information required to maintain the aeroplane within the above limits.

CS-25 BOOK 2

(2) Weight-and-Balance Data. Documentation of the weight-and-balance material outlined below is normally adequate for aeroplanes with conventional loading and fuel-management techniques. For aeroplanes that require fuel to be redistributed (other than through normal consumption) to maintain loading within prescribed limits, the loading instructions should be expanded as necessary.

(i) Weight Limits. A list and identification of all weight limitations should be included.

(ii) Centre-of-Gravity Limits. The approved centre-of-gravity range, or ranges, should be presented with due accounting for aeroplane configuration (i.e. landing gear position, passenger loading, cargo distribution etc.) such that loading limits can be maintained.

(iii) Dimensions, Datum and MAC. The dimensions and relative location of aeroplane features associated with weighing and loading of the aeroplane and with weight-and-balance computations should be described or illustrated.

(iv) Configuration Checklist or Equipment List. The aeroplane should be defined or described sufficiently to identify the presence or absence of optional systems, features or installations that are not readily apparent. In addition, all other items of fixed or removable equipment included in the empty weight should be listed.

(v) Fuel and Other Liquids. All fuel and other liquids, including passenger service liquids, that are included in the empty weight should be identified and listed, together with the information necessary to enable ready duplication of the particular condition.

(vi) Weighing Computations. Computation of the empty weight and the empty-weight c.g. location should be included.

(vii) Loading Schedule. The loading schedule should be included, if appropriate.

(viii) Loading Instructions. Complete instructions relative to the loading procedure or to the use of the loading schedule should be included.

(ix) Compartment and floor load limits.

7 CONFIGURATION DEVIATION LIST (CDL)

Operation of the aeroplane without certain secondary airframe and engines parts is allowed through the use of an approved CDL. The CDL should be included in the AFM as a separate appendix. The following guidance should be followed when preparing the CDL.

a. *The parts or combinations of parts* permitted to be missing, together with the associated performance penalties and other limitations should be determined and presented in the same format as the Master Minimum Equipment List (MMEL).

b. *Unless it can be established* that a zero or negligible performance degradation occurs as a result of a part missing from the aeroplane (see paragraph 8.b of this AMC), a performance penalty should be presented for each part or for each combination of parts.

c. *Performance penalties are normally presented* as weight or percent weight decrements. Equivalent penalties expressed as other parameters are also acceptable. A single performance penalty applicable to all AFM performance limitations may be presented for a missing part or, subject to certain restrictions, performance penalties may be presented for each phase of flight as follows:

(1) Only a single performance penalty for take-off and a single performance penalty for landing will be permitted. For take-off, the penalty shall be the most restrictive of the take-off field length, first, second and final segment climbs, and take-off flight path considerations. For landing, the penalty shall be the most restrictive of approach climb, landing climb, and landing distance considerations.

CS-25 BOOK 2

(2) Only a single weight penalty for en route climb performance, applying to both the one-engine-inoperative and two-engine-inoperative cases, as applicable, will be permitted.

(3) The CDL should contain the explanations of take-off performance penalty, landing performance penalty and en route performance penalty, as appropriate for the aeroplane, when individual penalties are used.

d. *General Limitations.* The following information should be presented in the CDL appendix:

(1) When the aeroplane is operated using the CDL, it must be operated in accordance with the limitations specified in the AFM, as amended in the CDL.

(2) The associated limitations must be listed on a placard affixed in the cockpit in clear view of the pilot in command and other appropriate crew member(s).

(3) The pilot in command should be notified of each operation with a missing part(s) by listing the missing part(s) in the flight or dispatch release.

(4) The operator should list in the aeroplane logbook an appropriate notation covering the missing part(s) on each flight.

(5) If an additional part is lost in flight, the aeroplane may not depart the airport at which it landed following this event, until it again complies with the limitations of the CDL. This, of course, does not preclude the issuance of a ferry permit to allow the aeroplane to be flown to a point where the necessary repairs or replacements can be made.

(6) No more than one part for any one system may be missing, unless specific combinations are indicated in the CDL. Unless otherwise specified, parts from different systems may be missing. The performance penalties are cumulative, unless specifically designated penalties are indicated for the combination of missing parts.

(7) No more than three parts that have each been determined to cause a negligible performance degradation may be missing for take-off without applying a performance penalty. When more than three such parts are missing, a performance penalty of either 0.05 percent of the maximum take-off weight or 50 kg, whichever is less, must be applied for take-off, en route, and landing for each missing part.

(8) Take-off performance penalties should be applied to the take-off weights that are limited by performance considerations (i.e. take-off field length, first, second, or, final segment climb, or take-off flight path). If the performance limited take-off weight is greater than the maximum certified take-off weight, the take-off performance penalties should be applied to the maximum certified take-off weight to ensure compliance with the noise requirements.

(9) Landing performance penalties should be applied to the landing weights that are limited by performance considerations (i.e. landing field length, landing climb or approach climb). If the performance limited landing weight is greater than the maximum certified landing weight, the landing performance penalties should be applied to the maximum certified landing weight to ensure compliance with the noise requirements.

(10) En route performance penalties apply only to operations that are limited by the one- or two-engine(s) inoperative en route climb performance.

(11) The numbering and designation of systems in the CDL appendix is based on Air Transport Association (ATA) Specification 100. The parts within each system are identified by functional description and, when necessary, by part numbers.

CS-25 BOOK 2**8 ACCOUNTABILITY OF PERFORMANCE DEGRADATION RELATIVE TO BOTH MINOR DESIGN CHANGES AND CDL ITEMS**

a. *General.* Whenever a minor change to the type design aerodynamic configuration or a CDL proposal (e.g. installation of wing tip mounted emblem lights, missing flap hinge covers, etc.), has been submitted for EASA approval, the applicable performance degradation needs to be determined. In lieu of a complete flight test analysis to determine the performance degradation, simple criteria are prescribed below for establishing an acceptable level of airworthiness for the affected items.

b. *Criteria.*

(1) **Estimated Drag.** The aerodynamic drag of the type design change or CDL item should be evaluated. Design changes or CDL items that have no impact on, or actually improve, the aerodynamic drag of the aeroplane are considered to have no performance penalty. In cases where there are quantifiable effects on aerodynamic drag (no matter how small), the drag value should be estimated and then increased by a factor of 2, unless the estimate drag was determined with equivalent conservatism.

(2) **Performance Penalty.** Performance penalties (usually expressed in kg or percent weight) should be determined for all appropriate performance limitations (take-off, en route and landing) based on the effects of the estimated drag. If the resulting weight penalty is less than the smaller of 0.05 percent of the maximum certified take-off weight or 50 kg, the performance degradation may be considered negligible. The AFM supplement or CDL appendix should identify those type design changes or CDL items that result in a negligible performance degradation. If the performance degradation is not considered negligible, the appropriate performance penalty should be provided as a limitation in the AFM supplement or in the CDL appendix.

[Amdt. No.:25/2]

AMC 25.1581, APPENDIX 1 COMPUTERISED AEROPLANE FLIGHT MANUAL**1 PURPOSE**

This appendix presents guidelines for obtaining approval of a computerised version of an AFM that would replace or supplement parts of the conventional paper AFM. These guidelines also apply to computerised AFM appendices and supplements. The criteria provided in the main body of this AMC remain applicable except where modified by this appendix. These guidelines do not cover:

- a. Systems used on board the aeroplane during flight.
- b. Systems that provide direct input to other aeroplane systems or equipment.
- c. Supplementary software or software functions used to prepare documentation suitable for use in the operation of the aeroplane under the applicable operating rules (e.g. airport analysis software).

2 APPLICABILITY

This appendix applies to aeroplanes eligible to be certificated to CS 25. The guidelines contained herein pertain to generating and presenting AFM performance information required by CS 25 by means of computer software. This appendix may be amended to include relevant aspects for other EASA approved information that is stored and presented through computer software.

3 DEFINITIONS

- a. *Computerised AFM.* The computerised AFM software application used in conjunction with the hardware and software environment in which it is installed to generate computerised AFM information.

CS-25 BOOK 2

- b. *Computerised AFM Software Application.* The computer programs and data, installation information and operating guide that are used in generating computerised AFM information.
- c. *Computerised AFM Information.* The information generated by the EASA approved computerised AFM in lieu of or supplementing parts of the conventional paper AFM.
- d. *Software Environment.* The additional computer programs (e.g. operating system) that provide services to the computerised AFM software application to input, process and output the information to the user.
- e. *Hardware Environment.* The equipment (e.g. terminal, printer, keyboard, math co-processor, central processing unit, etc.) that enables the operation of the software environment and the computerised AFM software application to input, process and output the information to the user.
- f. *Commercial-Off-the-Shelf (COTS) Computer.* A multi-purpose computer (e.g. a standard personal computer) that is available, or can be made available, to all potential users of the respective computerised AFM.
- g. *Calculation.* Data generation by means of combination of table-lookup or arithmetic operations.
- h. *First Principles Calculation.* A Calculation using basic parameters such as lift, drag, thrust, etc. with the equations of motion.

4 GENERAL GUIDELINES

The criteria herein do not affect the status of computerised AFMs that have previously been EASA or JAA approved. When such manuals are amended in the future, the concepts of this appendix should be applied, where practicable.

a. *Official Reference*

(1) The conventional paper portion of the AFM should contain appropriate references about applicability of the EASA approved computerised AFM software application. This reference should be revised each time the EASA approved computerised AFM software application is changed (see paragraph 6.d of this appendix).

(2) The AFM should contain a statement similar to the following:

The computerised AFM replaces or supplements portions of the paper AFM, and is an EASA approved source for that AFM information. Any modification to the EASA approved computerised AFM software application, or subsequent alteration to the generated output, will cancel the airworthiness approval of the information, unless this change was approved by the EASA. This statement applies regardless of any approval notation printed on a generated output.

b. *Approved and Unapproved Information.* Paragraph 25.1581 of the CS requires that the EASA approved information be segregated, identified and clearly distinguished from any unapproved information in the AFM. Therefore, the approval status of generated output should be clearly indicated on the screen and printed on each printout page of any calculated results by indication of:

(1) Approved program version.

(2) Approved data version, if applicable.

(3) Approval status of results with respect to requirement basis of the computation (e.g. FAR/Certification Specifications (CS)).

CS-25 BOOK 2

(4) Applicable certification basis, if the program is capable of generating results for more than one certification basis (e.g. FAR/Certification Specifications (CS)).

(5) Date of output data generation.

c. *Software Usage Aspects*. The applicant should substantiate that the computerised AFM is designed to:

(1) Provide a generated output containing all the information required to be in the conventional paper AFM by CS 25 for the part that is replaced or supplemented by the computerised AFM. This includes all relevant information (e.g. variables used for a specific condition) to determine operating condition and applicability of the generated output.

(2) Provide equivalent or conservative results to that obtained by direct use of a first principles calculation using certified baseline parameters (e.g. lift, drag, thrust).

(3) Preclude calculations that would generate results identified as EASA approved by:

(i) Extrapolating data beyond computational bounds agreed to by the Agency and the applicant;
or

(ii) Using unapproved flight test analysis or AFM expansion methods.

(4) Provide at least the standard of transparency (e.g. understanding of performance relations and limitations) that is available from a conventional paper AFM presentation.

(5) Minimise mistakes or misunderstanding by a trained user during data input and interpretation of output.

5 *COMPUTERISED AEROPLANE FLIGHT MANUAL CONTENTS*

a. *General*

(Reserved.)

b. *Limitations Section*

(Reserved.)

c. *Procedures Sections*

(Reserved.)

d. *Performance Section*

(1) The computerised AFM may be used to generate all of the EASA approved performance information required to be in the AFM.

(2) The operating rules require operators to carry, in each transport category aeroplane, either the AFM or an operator-prepared manual that contains all of the information required to be in the AFM. The computerised AFM is not intended for use on board the aeroplane. Thus, any portions of the AFM that are provided only in computerised (i.e. electronic) form may not be used to satisfy these operating requirements. This does not preclude printing out information calculated by the EASA approved computerised AFM and subsequently using the paper printout on board the aeroplane.

(3) Configuration Deviation List (CDL) and Master Minimum Equipment List (MMEL) effects on performance may be included if they are EASA approved and applications are clearly identified on the generated output.

CS-25 BOOK 2

(4) Although the output from the computerised AFM should be usable without adjustment, applying corrective factors that are provided in the paper AFM may be acceptable in the following cases:

- (i) CDL or MMEL information.
- (ii) Urgent temporary EASA approved revisions made mandatory for safety reasons.
- (iii) Any case in which the appropriate data are unavailable from the computerised AFM and it is clear to the user that corrective factors must be applied.
- (iv) Supplements produced by STC applicants.

(5) Supplementary performance information may be included in accordance with paragraph 4.b of this appendix (e.g. for operation on runways contaminated with standing water, slush, snow or ice).

(6) The applicant may request EASA approval of supplementary computerised AFM applications (e.g. optimised runway performance). This supplementary software application will not be required by the EASA for type certification.

6 SOFTWARE INTEGRITY, DEVELOPMENT AND DOCUMENTATION REQUIREMENTS

The computerised AFM consists of the AFM software application used in conjunction with the hardware and software environment in which it is installed. This paragraph provides guidelines that address the integrity, development process, and documentation requirements of the software.

a. *Software Integrity*

(1) The computation of hazardously misleading primary information such as take-off speeds, landing approach speeds, engine thrust or power, engine limit data or other related aeroplane performance data, should be improbable (as defined in CS 25.1309). The AFM software application should, as far as practicable, be protected from inadvertent, deliberate, or unauthorised alterations. For example, self-check features could be used to provide software verification and protection against deliberate or inadvertent alteration.

(2) The level of integrity established for the computerised AFM is the basis for the software development process and should be addressed in the plan for software aspects of certification (see paragraph 6.b of this appendix).

(3) Each part of the EASA approved AFM software application (e.g. program, data) should bear a unique notation, a unique date, or a revision number.

(4) A means to check the programs and data to avoid undetected failures should be provided (e.g. a checksum routine, tabular data to verify a check case, or provisions for a line-by-line file comparison).

(5) Commercially available software, such as operating systems (e.g. MS-DOS), word-processors and spreadsheets, will not be approved by the EASA. However, this software can be used to run the computerised AFM software application or process (i.e. edit, format, manipulate, etc.) AFM data to produce approved AFM information if:

- (i) the applicant demonstrates that the unapproved software does not interfere with the correct functioning of the EASA approved computerised AFM software application;
- (ii) the applicant demonstrates that the unapproved software produces reliable results when used with the specified hardware environment and the computerised AFM software application; and

CS-25 BOOK 2

(iii) the applicant specifies, in the paper AFM or a user's guide, the title, manufacturer, and version number of such software. The version number may refer to future versions of the software (e.g. 'Version XX and later') if the verification check performed under paragraph 6.c(1) of this appendix is designed such that improper operation of these later software versions would be detected.

b. *Software Development.* The integrity of the software components of the computerised AFM is achieved through the software development processes used.

(1) The applicant should propose the software development process in the plan for software aspects of certification. The application should document the methods, parameters and allowable range of conditions contained in the computerised AFM. The results obtained from the computerised AFM should be shown to meet all applicable CS-25 requirements. This compliance may be shown using substantiation documentation, demonstrations, or other means mutually agreed to by the Agency and the applicant. The software development process described in AMC 20-115 (Software Considerations for Airborne Systems and Equipment Certification) is valid, in general, for developing either airborne or ground based software. It represents one acceptable approach, but not the only acceptable approach, for developing software for the computerised AFM. Some of the specific guidance provided in AMC 20-115, however, may not apply to the computerised AFM.

(2) The applicant should submit a description of the computerised AFM and the plan for software aspects of certification to the Agency for review early in the certification process. This plan proposes the schedule and means by which compliance with the requirements will be achieved and the means by which certification data and supporting records will be made available to the Agency for review.

c. *Hardware and Software Environment.* The computerised AFM software application may be EASA approved independent of the hardware and software environment in which it is installed. A common example of this would be the development of a computerised AFM software application to be run in a commercial-off-the-shelf (COTS) hardware and software environment. The applicant should provide for item (1) as follows, plus either item (2) or (3), as appropriate.

(1) A mechanism, such as an installation utility function or test set, that verifies the proper functioning of the computerised AFM software application in the target software and hardware environment. The verification check should include, but not be limited to, proper functioning with hardware specified in the AFM, including input and output devices, and with resident software, including terminate-to-stay-resident or other control programs such as Microsoft Windows, and with any operating system calls made by the AFM software.

(2) If the computerised AFM is intended for a COTS hardware and software environment, installation information that describes the minimum requirements, including limitations and constraints, for the software and hardware environment.

(3) If the computerised AFM is intended for a specific hardware/software system, installation information that describes the specific hardware and software environment in which the computerised AFM software application must be installed. Additionally, the applicant should provide a configuration management scheme that ensures the hardware and software environment that will be used in service is identical to the environment specified in the EASA approved installation data.

d. *Revisions to a Computerised AFM Software Application*

(1) Revisions to a EASA approved computerised AFM should be submitted for evaluation and EASA approval in accordance with software development methodology established in paragraph 6.b of this appendix. A log of EASA approved AFM software application parts should be furnished by the applicant. For historical purposes, the applicant should maintain records from which the information from any approved revision level of the computerised AFM can be reproduced, unless none of the affected aeroplanes remain in operational service.

(2) The applicant should submit a description of the proposed changes and an updated plan for software aspects of certification. In addition, the applicant should:

CS-25 BOOK 2

(i) re-assess the software integrity level (paragraph 6.a of this appendix) of the revised computerised AFM;

(ii) demonstrate that revisions do not affect any of the unrevised portions of the computerised AFM; and

(iii) demonstrate that the revisions are compatible with the hardware and software environment intended for the computerised AFM software application.

(3) Revisions to a computerised AFM can be made only by the TC or STC holder of that computerised AFM. The STC applicant may supplement but not revise a TC holder's computerised AFM.

(4) When revisions are incorporated, a means (e.g. document) of indicating those parts of the software that have been changed should be provided.

(5) Each revised software element should be identified in the same manner as the original, with the exception of the new date or revision notation (see paragraph 6.a(3) of this appendix).

e. *Submittal and EASA Approval of Software*

(1) The applicant will be considered the responsible party for all matters pertaining to the computerised AFM software application, including submittal to the Agency and obtaining EASA approval.

(2) The applicant and the Agency shall discuss and agree on the data structures and calculation models.

(3) The applicant should provide any part of the hardware environment necessary for operating the computerised AFM that is not readily available to the Agency.

f. *Documentation Requirements.* Documentation containing the following information should be provided by the applicant to the Agency.

(1) Approval plan that describes the software aspects of certification, including time schedules, an outline of the desired applications, and design objectives for software and data integrity.

(2) Software development plan, including the methods used to accomplish the design objectives.

(3) Software descriptions, including justifications that program structures and calculation models are appropriate to their intended function.

(4) Data verification document, including a description of the scope and depth of the review, analysis, and tests used to determine that the developed software and generated output accurately reflect the aeroplane performance characteristics. This description should include the purpose of each test case and the set of inputs, expected results, test environment and calculated results.

(5) Operating instructions, including all information for proper use of the computerised AFM, installation instructions, and identification of the suitable hardware and software environment.

(6) Software configuration reference, including a log of the approved software elements and a statement that design objectives of the approval plan and compliance with the guidelines of this appendix have been demonstrated.

CS-25 BOOK 2**7 PROVISIONS FOR EASA POST CERTIFICATION ACCESS TO COMPUTERISED AFM**

In the plan for software aspects of certification, the applicant should propose which components of the computerised AFM will be submitted to the EASA. In cases where the AFM software application can be installed on EASA equipment, the applicant need only provide the computerised AFM software application, which includes the installation data and operating guide. However, if the computerised AFM software application requires a hardware and software environment that is not available to the EASA, the applicant should also provide the EASA with the necessary components to access the AFM software application.

[Amdt. No.:25/2]

[Amdt. No.:25/12]

AMC 25.1581, APPENDIX 2 AEROPLANE FLIGHT MANUAL SPECIFICATION**1 PURPOSE**

This appendix to the AMC 25.1581 is a guideline for preparation of the AFM specification required early in the certification process to allow judgement about acceptability of various peculiarities of the proposed flight manual.

2 APPLICABILITY

This acceptable means of compliance applies to aircraft eligible to be certificated to CS 25.

3 DEFINITIONS Reserved.**4 GENERAL GUIDELINES**

Following information should be presented in form of a document:

- a. Constructors Name.
- b. Contact person: Name, Address, Telephone, Telefax.
- c. Aircraft Description, including kinds of operation for which certification is intended.
- d. Basic Approval Authority.
- e. Certification Basis (e.g. FAR 25 amendment or CS 25 change no.).
- f. Flight manual compliance proposal (e.g. FAA AC or EASA AMC etc.).
- g. Type of AFM (i.e. multi-regulation).
- h. Intended document number.
- i. Means of identification for draft pages and revisions thereto.
- k. Size of final AFM pages.
- l. Example pages: Title sheet and approval provision
 - Preface
 - List of Effective Pages
 - Page layout, including identification and approval status

CS-25 BOOK 2

- m. Units of measure proposed.
- n. Amendment system (e.g. temporary revision identification and normal revision identification).
- o. Breakdown of the manual (e.g. topics, sequence, dividers).
- p. Performance charts layout.
- q. Digital performance data proposal, if applicable.
- r. References to other information required by the certification basis but not contained in the basic AFM.

The document presented may include more than the proposed amount of information, if deemed necessary.

AMC 25.1583(i)
Manoeuvring Flight Load Factors

The flight manoeuvring limit load factors for which the structure is approved, expressed in terms of normal acceleration, or g, should be included. If more restrictive flight load factors are established for particular operations outside the normal operating envelope (e.g. landing flap position with maximum take-off weight) such factors should be presented and defined.

AMC 25.1583(k)
Maximum Depth of Runway Contaminants for Take-off Operations

Compliance with CS 25.1583(k) may be shown using either Method 1 or Method 2 –

- a. *Method 1.* If information on the effect of runway contaminants on the expected take-off performance of the aeroplane is furnished in accordance with the provisions of CS 25.1591, take-off operation should be limited to the contamination depths for which take-off information is provided.
- b. *Method 2.* If information on the effect of runway contaminants on the expected take-off performance of the aeroplane in accordance with the provisions of CS 25.1591 is not provided, take-off operation should be limited to runways where the degree of contamination does not exceed the equivalent of 3 mm (0.125 inch) of water, except in isolated areas not exceeding a total of 25% of the area within the required length and width being used.

[Amdt. No.:25/2]

NOTE 1 In establishing the maximum depth of runway contaminants it may be necessary to take account of the maximum depth for which the engine air intakes have been shown to be free of ingesting hazardous quantities of water or other contaminants in accordance with CS 25.1091(d)(2).

NOTE 2: Unless performance effects are based on tests in water depths exceeding 15 mm, or on other evidence equivalent in accuracy to the results of direct testing, it will not normally be acceptable to approve take-off operation in depths of contaminants exceeding the equivalent of 15 mm of water.

CS-25 BOOK 2

AMC 25.1591

The derivation and methodology of performance information for use when taking-off and landing with contaminated runway surface conditions.

1.0 Purpose

This AMC provides information, guidelines, recommendations and acceptable means of compliance for use by applicants in the production of performance information for aeroplanes when operated on runways that are contaminated by standing water, slush, snow, ice or other contaminants.

2.0 Technical Limitations of Data

The methodology specified in this AMC provides one acceptable means of compliance with the provisions of CS 25.1591. In general it does not require aeroplane testing on contaminated runway surfaces, although such testing if carried out at the discretion of the applicant may significantly improve the quality of the result or reduce the quantity of analytical work required.

Due to the nature of naturally occurring runway contaminants and difficulties associated with measuring aeroplane performance on such surfaces, any data that is either calculated or measured is subject to limitations with regard to validity. Consequently the extent of applicability should be clearly stated.

The properties specified in this AMC for various contaminants are derived from a review of the available test and research data and are considered to be acceptable for use by applicants. This is not an implied prohibition of data for other conditions or that other conditions do not exist.

It has been recently determined that the assumption to use wet runway surface field length performance data for operations on runway surfaces contaminated with dry snow (depths below 10 mm) and wet snow (depths below 5 mm) may be inappropriate. Flight test evidence together with estimations have indicated some measure of relatively low gear displacement drag and a measurable reduction in surface friction in comparison to the assumptions associated with wet runway field performance data. As a consequence it has been agreed that additional work is required to further develop the associated methodology. As an interim measure it has been concluded that it is reasonable to consider these surfaces by recommending that they be addressed by using the data for the lowest depth of the contaminant provided.

It is intended that the use of aeroplane performance data for contaminated runway conditions produced in accordance with CS 25.1591 should include recommendations associated with the operational use of the data. Where possible, this operational guidance should be provided by the applicant or its production co-ordinated with the applicant to ensure that its use remains valid.

Operators are expected to make careful and conservative judgments in selecting the appropriate performance data to use for operations on contaminated runways. Particular attention should be paid to the presence of any contaminant in the critical high speed portion of the runway. For takeoff, it may be appropriate to use different contaminant types or depths for the takeoff and the accelerate-stop portions. For example, it may be appropriate to use a greater contaminant depth or a contaminant type that has a more detrimental effect on acceleration for the takeoff portion than for the accelerate-stop portion of the takeoff analysis.

In considering the maximum depth of runway contaminants it may be necessary to take account of the maximum depth for which the engine air intakes have been shown to be free of ingesting hazardous quantities of water in accordance with CS 25.1091(d)(2).

CS-25 BOOK 2

3.0 Standard Assumptions

Due to the wide variation in possible conditions when operating on contaminated runways and the limitations inherent in representing the effects of these conditions analytically, it is not possible to produce performance data that will precisely correlate with each specific operation on a contaminated surface. Instead, the performance data should be determined for a standardised set of conditions that will generally and conservatively represent the variety of contaminated runway conditions occurring in service.

It should be assumed that:

- the contaminant is spread over the entire runway surface to an even depth (although rutting, for example, may have taken place).
- the contaminant is of a uniform specific gravity.
- where the contaminant has been sanded, graded (mechanically levelled) or otherwise treated before use, that it has been done in accordance with agreed national procedures.

4.0 Definitions

These definitions may be different to those used by other sources but are considered appropriate for producing acceptable performance data, suitable for use in aeroplane operations.

4.1 Standing Water

Water of a depth greater than 3mm. A surface condition where there is a layer of water of 3mm or less is considered wet for which AMC 25.1591 is not applicable.

4.2 Slush

Partly melted snow or ice with a high water content, from which water can readily flow, with an assumed specific gravity of 0.85. Slush is normally a transient condition found only at temperatures close to 0°C.

4.3 Wet Snow

Snow that will stick together when compressed, but will not readily allow water to flow from it when squeezed, with an assumed specific gravity of 0.5.

4.4 Dry Snow

Fresh snow that can be blown, or, if compacted by hand, will fall apart upon release (also commonly referred to as loose snow), with an assumed specific gravity of 0.2. The assumption with respect to specific gravity is not applicable to snow which has been subjected to the natural ageing process.

4.5 Compacted Snow

Snow which has been compressed into a solid mass such that the aeroplane wheels, at representative operating pressures and loadings, will run on the surface without causing significant rutting.

CS-25 BOOK 2**4.6 Ice**

Water which has frozen on the runway surface, including the condition where compacted snow transitions to a polished ice surface.

4.7 Specially Prepared Winter Runway

A runway, with a dry frozen surface of compacted snow and/or ice which has been treated with sand or grit or has been mechanically or chemically treated to improve runway friction. The runway friction is measured and reported on a regular basis in accordance with national procedures.

4.8 Specific Gravity

The density of the contaminant divided by the density of water.

5.0 Contaminant Properties to be Considered**5.1 Range of Contaminants**

The following general range of conditions or properties may be used. The list given in Table 1 is not necessarily comprehensive and other contaminants may be considered, provided account is taken of their specific properties.

Data should assume the contaminant to be uniform in properties and uniformly spread over the complete runway.

Contaminants can be classified as being:-

- (i) Drag producing, for example by contaminant displacement or impingement,
- (ii) Braking friction reducing, or
- (iii) A combination of (i) and (ii).

Data to be produced should use the classification and assumptions of Table 1 and then the appropriate sections of the AMC as indicated.

CS-25 BOOK 2

Contaminant Type	Range of Depths to be Considered - mm	Specific Gravity Assumed for Calculation	Is Drag Increased?	Is Braking Friction Reduced Below Dry Runway Value?	Analysis Paragraphs Relevant
Standing water, Flooded runway	3-15 (see Note 1)	1.0	Yes	Yes	7.1, 7.3, 7.4
Slush	3-15 (see Note 1)	0.85	Yes	Yes	7.1, 7.3, 7.4
Wet Snow (see Note 2)	Below 5		No	Yes	7.3, 7.4
Wet Snow (see Note 3)	5-30	0.5	Yes	Yes	7.1, 7.3, 7.4
Dry Snow (see Note 2)	Below 10		No	Yes	7.3, 7.4
Dry Snow	10-130	0.2	Yes	Yes	7.2, 7.3, 7.4
Compacted Snow	0 (see Note 4)		No	Yes	7.3, 7.4
Ice	0 (see Note 4)		No	Yes	7.3, 7.4
Specially Prepared Winter Runway	0 (see Note 4)		No	Yes	7.3, 7.4

Table 1

- Note 1: Runways with water depths or slush less than 3mm are considered wet, for which AMC 25.1591 is not applicable.
- Note 2: Contaminant drag may be ignored.
- Note 3: For conservatism the same landing gear displacement and impingement drag methodology is used for wet snow as for slush.
- Note 4: Where depths are given as zero it is assumed that the aeroplane is rolling on the surface of the contaminant.

5.2 Other Contaminants

Table 1 lists the contaminants commonly found. It can be seen that the complete range of conditions or specific gravities has not been covered. Applicants may wish to consider other, less likely, contaminants in which case such contaminants should be defined in a manner suitable for using the resulting performance data in aeroplane operations.

CS-25 BOOK 2

6.0 Derivation of Performance Information

6.1 General Conditions

Take-off and landing performance information for contaminated runways should be determined in accordance with the assumptions given in paragraph 7.0.

Where performance information for different contaminants are similar, the most critical may be used to represent all conditions.

This AMC does not set out to provide a complete technical analytical process but rather to indicate the elements that should be addressed. Where doubt exists with regard to the accuracy of the methodology or the penalties derived, consideration should be given to validation by the use of actual aeroplane tests or other direct experimental measurements.

6.2 Take-off on a Contaminated Runway

6.2.1 Except as modified by the effects of contaminant as derived below, performance assumptions remain unchanged from those used for a wet runway, in accordance with the agreed certification standard. These include accelerate-stop distance definition, time delays, take-off distance definition, engine failure accountability and stopping means other than by wheel brakes (but see paragraph 7.4.3).

6.2.2 Where airworthiness or operational standards permit operations on contaminated runways without engine failure accountability, or using a V_{STOP} and a V_{GO} instead of a single V_1 , these performance assumptions may be retained. In this case, a simple method to derive a single V_1 and associated data consistent with the performance assumptions of paragraph 6.2.1 must also be provided in the AFM.

NOTE: V_{STOP} is the highest decision speed from which the aeroplane can stop within the accelerate-stop distance available. V_{GO} is the lowest decision speed from which a continued take-off is possible within the take-off distance available.

6.3 Landing on a Contaminated Runway

6.3.1 Airborne distance

Assumptions regarding the airborne distance for landing on a contaminated runway are addressed in paragraph 7.4.2.

6.3.2 Ground Distance

Except as modified by the effects of contaminant as derived below, performance assumptions for ground distance determination remain unchanged from those used for a dry runway. These assumptions include:

- Touchdown time delays.
- Stopping means other than wheel brakes (but see paragraph 7.4.3).

CS-25 BOOK 2

7.0 Effects of Contaminant

7.1 Contaminant Drag - Standing Water, Slush, Wet Snow

General advice and acceptable calculation methods are given for estimating the drag force due to fluid contaminants on runways:

$$\begin{array}{rcl} \text{Total drag} & & \text{Drag due to} \\ \text{due to fluid} & = & \text{fluid displacement} \\ \text{contaminant} & & \text{by tyres} \end{array} \quad + \quad \begin{array}{l} \text{Drag due to airframe} \\ \text{impingement of fluid} \\ \text{spray from tyres} \end{array}$$

The essence of these simple calculation methods is the provision of appropriate values of drag coefficients below, at, and above tyre aquaplaning speed, V_P (see paragraph 7.1.1):

- Paragraphs 7.1.2.a and 7.1.2.b give tyre displacement drag coefficient values for speeds below V_P .
- Paragraph 7.1.3.b.2 gives tyre equivalent displacement drag coefficient values to represent the skin friction component of impingement drag for speeds below V_P .
- Paragraph 7.1.4 gives the variation with speed, at and above V_P , of drag coefficients representing both fluid displacement and impingement.

7.1.1 Aquaplaning Speed

An aeroplane will aquaplane at high speed on a surface contaminated by standing water, slush or wet snow. For the purposes of estimating the effect of aquaplaning on contaminant drag, the aquaplaning speed, V_P , is given by -

$$V_P = 9 \sqrt{P}$$

where V_P is the ground speed in knots and P is the tyre pressure in lb/in².

Predictions (Reference 5) indicate that the effect of running a wheel over a low density liquid contaminant containing air, such as slush, is to compress it such that it essentially acts as high density contaminant. This means that there is essentially no increase in aquaplaning speed to be expected with such a lower density contaminant. For this reason, the aquaplaning speed given here is not a function of the density of the contaminant.

(See References 1, 5 and 10)

7.1.2 Displacement Drag

This is drag due to the wheel(s) running through the contaminant and doing work by displacing the contaminant sideways and forwards.

- a. Single wheel.

The drag on the tyre is given by —

$$D = C_D \frac{1}{2} \rho V^2 S$$

Where ρ is the density of the contamination, S is the frontal area of the tyre in the contaminant and V is the groundspeed, in consistent units.

$S = b \times d$ where d is the depth of contamination and b is the effective tyre width at the contaminant surface and may be found from —

CS-25 BOOK 2

$$b = 2W \left[\left(\frac{\delta + d}{W} \right) - \left(\frac{\delta + d}{W} \right)^2 \right]^{1/2}$$

Where W is the maximum width of the tyre and δ is the tyre deflection, which may be obtained from tyre manufacturers' load-deflection curves.

The value of C_D may be taken as 0.75 for an isolated tyre below the aquaplaning speed, V_P .

(See Reference 3)

b. Multiple wheels

A typical dual wheel undercarriage shows a drag 2.0 times the single wheel drag, including interference. For a typical four-wheel bogie layout the drag is 4 times the single wheel drag (again including interference). For a six-wheel bogie layout a reasonable conservative estimate suggests a figure of 4.2 times the single wheel drag. The drag of spray striking the landing gear structure above wheel height may also be important and should be included in the analysis for paragraph 7.1.3.b.1 but for multiple wheel bogies the factors above include centre spray impingement drag on gear structure below wheel height.

(See Reference 3)

7.1.3 Spray Impingement Drag

a. Determination of spray geometry

The sprays produced by aeroplane tyres running in a liquid contaminant such as slush or water are complex and depend on aeroplane speed, the shape and dimensions of the loaded tyre and the contaminant depth. The spray envelope should be defined, that is the height, width, shape and location of the sideways spray plumes and, in the case of a dual wheel undercarriage, the centre spray plumes. Additionally, a forward bow-wave spray will be present which may be significant in drag terms should it impinge on the aeroplane.

In order to assess the drag it is necessary to know the angles of the spray plumes so that they can be compared with the geometry of the aeroplane. The angle at which the plumes rise is generally between 10° and 20° but it varies considerably with speed and depth of precipitation and to a small extent with tyre geometry. A method for estimating the plume angles in the horizontal and vertical directions is given in References 1 and 7 and may be used in the absence of experimental evidence. This information may be used to indicate those parts of the airframe which will be struck by spray, in particular whether the nose-wheel plume will strike the main landing gear or open wheel-wells, the wing leading edges or the engine nacelles, and whether the main-wheel plumes will strike the rear fuselage or flaps.

b. Determination of the retarding forces

Following definition of the spray envelopes, the areas of contact between the spray and the airframe can be defined and hence the spray impingement drag determined. This will be in two parts, direct interaction of the spray with the aeroplane structure and skin friction.

For smaller jet aeroplanes, typically those where the wing-to-ground height is less than

CS-25 BOOK 2

2 metres (6 feet), the methods contained in this document may not be conservative. Drag estimates should be correlated with performance measurements taken, for example, during water trough tests for engine ingestion.

b.1. Drag caused by direct impact of the spray

For aeroplane designs where surface areas are exposed to direct spray impact, the resulting drag forces should be taken into account. These forces exist where a significant part of the spray flow is directed at part of the aeroplane structure at a normal or non-oblique angle. The drag, or momentum loss of the mass of fluid, so caused should be accounted for.

(See Reference 6)

b.2. Drag caused by skin friction

Reference 2 explains that the relative velocity between spray from the landing gear and wetted aeroplane components causes drag due to skin friction and provides a method for its calculation. Where more than one spray acts on the same wing or fuselage surface the skin friction forces are not cumulative and the single, higher calculated value should be used.

An alternative, simple, conservative empirical estimate of skin friction drag, which converts the skin friction drag into an equivalent displacement drag coefficient based on nose-wheel alone drag measurements, is given by

$$C_D \text{ spray} = 8 \times L \times 0.0025$$

where $C_D \text{ spray}$ is to be applied to the total nose-wheel displacement area ($b \times d \times \text{number of wheels}$) and L is the wetted fuselage length in feet behind the point at which the top of the spray plume reaches the height of the bottom of the fuselage. This relation can also be used in the case of a main-wheel spray striking the rear fuselage. In the case of any one main wheel unit only the inner plume from the innermost leading wheel is involved so the relevant displacement area is half that of one main wheel.

7.1.4 Effect of Speed on Displacement and Impingement Drag Coefficients at and above Aquaplaning Speed

The drag above V_P reduces to zero at lift off and one acceptable method is to reduce C_D as shown in the curve in Figure 1. This relationship applies to both displacement and spray impingement drag coefficients.

CS-25 BOOK 2

Effect of Speed on Drag Coefficients

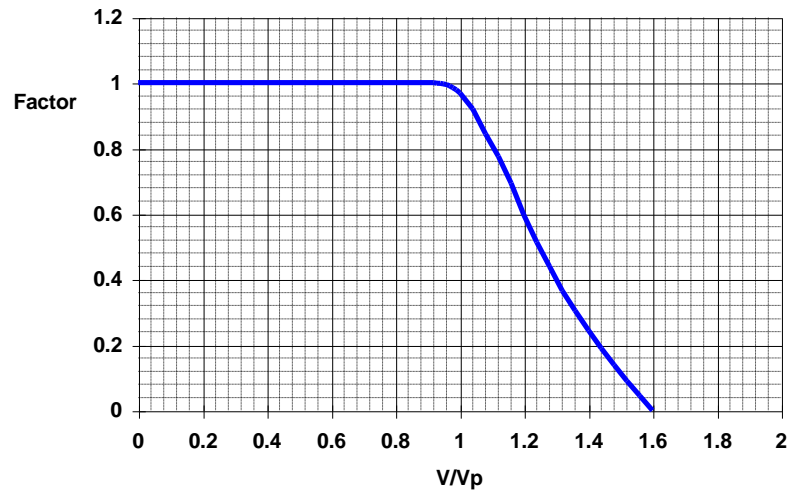


Figure 1

7.2 Contaminant Drag - Dry Snow

A basic method for calculating the drag of aeroplane tyres rolling in dry snow is given herein. The method is based on the theoretical model presented in References 8 and 9, using a specific gravity of 0.2 as provided in Table 1. Only snow of specific gravity of 0.2 is selected because it represents naturally occurring snow and results in the highest drag variation with ground speed for the range of snow specific gravities that are likely to be encountered. For other snow specific gravities, the more detailed methods of Reference 8 should be used.

7.2.1 Single Tyre Drag

The total displacement drag of a tyre rolling in dry snow is presented by the following equation:

$$D = D_C + D_D$$

The term D_C represents the drag due to the compression of the snow by the tyre. The term D_D represents the drag due to the displacement of the snow particles in a vertical direction.

The drag due to snow compression for a single tyre for snow with a specific gravity of 0.2 is given by:

Tyre pressure > 100 psi

$$D_C = 74000 bd \quad (\text{Newtons})$$

Tyre pressure $50 \leq p \leq 100$ psi

$$D_C = 56000 bd \quad (\text{Newtons})$$

In which:

d = snow depth in metres

b = is the tyre width at the surface in metres (see paragraph 7.1.2)

CS-25 BOOK 2

The drag due to the displacement of the snow particles in a vertical direction for a single tyre for snow with a specific gravity of 0.2 is given by:

Tyre pressure > 100 psi

$$D_D = \left(\frac{56}{R} + \frac{9}{d} \right) b d^2 V_g^2 \quad (\text{Newtons})$$

Tyre pressure $50 \leq p \leq 100$ psi

$$D_D = \left(\frac{52}{R} + \frac{8}{d} \right) b d^2 V_g^2 \quad (\text{Newtons})$$

In which:

- d = snow depth in metres
- b = is the tyre width at the surface in metres (see paragraph 7.1.2)
- V_g = the ground speed in m/s
- R = tyre radius in metres

For other snow densities D_C and D_D can be calculated using the method presented in Reference 8.

7.2.2 Multiple Wheels

The drag on dual tyre landing gears (found on both nose and main gears) is simply the drag of both single tyres added together. The interference effects between both tyres, found on dual tyre configurations running through slush or water, are not likely to be present when rolling over a snow covered surface. The drag originates from the vertical compaction of the snow layer. Although there is some deformation perpendicular to the tyre direction of motion, this deformation occurs mainly at or below the bottom of the rut and therefore does not affect the deformation in front of the adjacent tyre. Hence, interference effects can be ignored.

In the case of a bogie landing gear only the leading tyres have to be considered for the drag calculation, as explained in Reference 8. After the initial compression of the snow by the leading tyres, the snow in the rut becomes stronger and a higher pressure must be applied to compress the snow further. Therefore, the drag on the trailing tyres can be neglected and the drag on a bogie landing gear is assumed to be equal to that of a dual tyre configuration. All other multiple-tyre configurations can be treated in the same manner.

7.2.3 Spray Impingement Drag

Experiments have shown that the snow spray coming from the tyres is limited with only small amounts striking the airframe. The speed and the density of the snow spray are much lower than, for instance, that of water spray. Therefore, the drag due to snow impingement on the airframe can be neglected.

7.2.4 Total Landing Gear Drag

To obtain the total drag on the tyres due to snow, D_C and D_D for each single tyre (excluding the trailing tyres of a bogie gear) should be calculated and summed.

CS-25 BOOK 2

7.3 Braking Friction (All Contaminants)

On most contaminant surfaces the braking action of the aeroplane will be impaired. Performance data showing these effects can be based on either the minimum conservative 'default' values, given in Table 2 or test evidence and assumed values (see paragraph 7.3.2). In addition the applicant may optionally provide performance data as a function of aeroplane braking coefficient or wheel braking coefficient.

7.3.1 Default Values

To enable aeroplane performance to be calculated conservatively in the absence of any direct test evidence, default friction values as defined in Table 2 may be used. These friction values represent the effective braking coefficient of an anti-skid controlled braked wheel/tyre.

Contaminant	Default Friction Value μ
Standing Water and Slush	$= -0.0632\left(\frac{V}{100}\right)^3 + 0.2683\left(\frac{V}{100}\right)^2 - 0.4321\left(\frac{V}{100}\right) + 0.3485$ where V is groundspeed in knots Note: For V greater than the aquaplaning speed, use $\mu = 0.05$ constant
Wet Snow below 5mm depth	0.17
Wet Snow	0.17
Dry Snow below 10mm depth	0.17
Dry Snow	0.17
Compacted Snow	0.20
Ice	0.05

Note: Braking Force = load on braked wheel x Default Friction Value μ

Table 2

Note: For a specially prepared winter runway surface no default friction value can be given due to the diversity of conditions that will apply.

(See reference 10)

7.3.2 Other Than Default Values

In developing aeroplane braking performance using either test evidence or assumed friction values other than the default values provided in Table 2, a number of other brake related aspects should be considered. Brake efficiency should be assumed to be appropriate to the brake and anti-skid system behaviour on the contaminant under consideration or a conservative assumption can be used. It can be assumed that wheel brake torque capability and brake energy characteristics are unaffected. Where the tyre wear state significantly affects the braking performance on the contaminated surface, it should be assumed that there is 20% of the permitted wear range remaining.

CS-25 BOOK 2

Where limited test evidence is available for a model predecessor or derivative this may be used given appropriate conservative assumptions.

7.3.3 Use of Ground Friction Measurement Devices

Ideally it would be preferable to relate aeroplane braking performance to a friction index measured by a ground friction device that would be reported as part of a Surface Condition Report. However, there is not, at present, a common friction index for all ground friction measuring devices. Hence it is not practicable at the present time to determine aeroplane performance on the basis of an internationally accepted friction index measured by ground friction devices. Notwithstanding this lack of a common index, the applicant may optionally choose to present take-off and landing performance data as a function of an aeroplane braking coefficient or wheel braking coefficient constant with ground speed for runways contaminated with wet snow, dry snow, compacted snow or ice. The responsibility for relating this data to a friction index measured by a ground friction device will fall on the operator and the operating authority.

7.4 Additional Considerations

7.4.1 Minimum V_1

For the purpose of take-off distance determination, it has been accepted that the minimum V_1 speed may be established using the V_{MCG} value established in accordance with CS 25.149(g). As implied in paragraph 8.1.3, this may not ensure that the lateral deviation after engine failure will not exceed 30 ft on a contaminated runway.

7.4.2 Landing Air Distance

For contaminated surfaces, the airborne distance should be calculated by assuming that 7 seconds elapse between passing through the 50 ft screen height and touching down on the runway. In the absence of flight test data to substantiate a lower value, the touchdown speed should be assumed to be 93% of the threshold speed.

7.4.3 Reverse Thrust

Performance information may include credit for reverse thrust where available and controllable.

8.0 **Presentation of Supplementary Performance Information**

8.1 General

Performance information for contaminated runways, derived in accordance with the provisions of paragraphs 5.0 to 7.0, should be accompanied by appropriate statements such as:

- 8.1.1 Operation on runways contaminated with water, slush, snow, ice or other contaminants implies uncertainties with regard to runway friction and contaminant drag and therefore to the achievable performance and control of the aeroplane during take-off, since the actual conditions may not completely match the assumptions on which the performance information is based. Where possible, every effort should be made to ensure that the runway surface is cleared of any significant contamination.
- 8.1.2 The performance information assumes any runway contaminant to be of uniform depth and density.

CS-25 BOOK 2

8.1.3 The provision of performance information for contaminated runways should not be taken as implying that ground handling characteristics on these surfaces will be as good as can be achieved on dry or wet runways, in particular following engine failure, in crosswinds or when using reverse thrust.

8.1.4 The contaminated runway performance information does not in any way replace or amend the Operating Limitations and Performance Information listed in the AFM, unless otherwise stated.

8.2 Procedures

In addition to performance information appropriate to operating on a contaminated runway, the AFM should also include recommended procedures associated with this performance information. Differences in other procedures for operation of the aeroplane on a contaminated surface should also be presented, e.g., reference to crosswinds or the use of high engine powers or derates.

8.3 Take-off and Landing Data

This should be presented either as separate data appropriate to a defined runway contaminant or as incremental data based on the AFM normal dry or wet runway information. Information relating to the use of speeds higher than V_{REF} on landing, that is speeds up to the maximum recommended approach speed additive to V_{REF} , and the associated distances should also be included.

The landing distance must be presented either directly or with the factors required by the operating manuals, with clear explanation where appropriate.

Where data is provided for a range of contaminant depths, for example 3, 6, 9, 12, 15mm, then the AFM should clearly indicate how to define data for contaminant depths within the range of contaminant depths provided.

Where the AFM presents data using V_{STOP} and V_{GO} , it must be stated in the AFM that use of this concept is acceptable only where operation under this standard is permitted.

9 References

Reference sources containing worked methods for the processes outlined in 7.1 to 7.3.3 are identified below:

1. ESDU Data Item 83042, December 1983, with Amendment A, May 1998. "Estimation of Spray Patterns Generated from the Side of Aircraft Tyres Running in Water or Slush".
2. ESDU Data Item 98001, May 1998. "Estimation of Airframe Skin-Friction Drag due to Impingement of Tyre Spray".
3. ESDU Data Item 90035, November 1990, with Amendment A, October 1992. "Frictional and Retarding Forces on Aircraft Tyres. Part V: Estimation of Fluid Drag Forces".
4. ESDU Memorandum No.97, July 1998. "The Order of Magnitude of Drag due to Forward Spray from Aircraft Tyres".
5. ESDU Memorandum No. 96, February 1998. "Operations on Surfaces Covered with Slush".

CS-25 BOOK 2

6. ESDU Memorandum No. 95, March 1997, "Impact Forces Resulting From Wheel Generated Spray: Re-Assessment Of Existing Data".
7. NASA Report TP-2718 "Measurement of Flow Rate and Trajectory of Aircraft Tire-Generated Water Spray".
8. Van Es, G.W.H., "Method for Predicting the Rolling Resistance of Aircraft Tires in Dry Snow". AIAA Journal of Aircraft, Volume 36, No.5, September-October 1999.
9. Van Es, G.W.H., "Rolling Resistance of Aircraft Tires in Dry Snow", National Aerospace Laboratory NLR, Technical Report TR-98165, Amsterdam, 1998.
10. ESDU Data Item 72008, May 1972. 'Frictional and retarding forces on aircraft tyres. Part III: planning.

[Amdt. No.:25/2]

AMC 25.1593**Exposure to volcanic cloud hazards**

The aim of CS 25.1593 is to support operators by identifying and assessing airworthiness hazards associated with operations in contaminated airspace. Providing such data to operators will enable those hazards to be properly managed as part of an established management system.

Acceptable means of establishing the susceptibility of aeroplane features to the effects of volcanic clouds should include a combination of experience, studies, analysis, and/or testing of parts or sub-assemblies.

Information necessary for safe operation should be contained in the unapproved part of the flight manual, or other appropriate manual, and should be readily usable by operators in preparing a safety risk assessment as part of their overall management system.

A volcanic cloud comprises volcanic ash together with gases and other chemicals. Although the primary hazard is volcanic ash, other elements of the volcanic cloud may also be undesirable to operate through, and their effect on airworthiness should be assessed.

In determining the susceptibility of aeroplane features to the effects of volcanic clouds and the necessary information to operators, the following points should be considered:

- (1) Identify the features of the aeroplane that are susceptible to airworthiness effects from volcanic clouds. These may include, but are not limited to, the following:
 - a. The malfunction or failure of one or more engines, leading not only to reduction or complete loss of thrust but also to failures of electrical, pneumatic, and hydraulic systems;
 - b. Blockage of pitot and static sensors, resulting in unreliable airspeed indications and erroneous warnings;
 - c. Windscreen abrasion, resulting in windscreens being rendered partially or completely opaque;
 - d. Fuel contamination;
 - e. Volcanic ash and/or toxic chemical contamination of cabin air-conditioning packs, possibly leading to loss of cabin pressurisation or noxious fumes in the cockpit and/or cabin;
 - f. Erosion, blockage, or malfunction of external and internal aeroplane components;
 - g. Volcanic cloud static discharge, leading to prolonged loss of communications; and
 - h. Reduced cooling efficiency of electronic components, leading to a wide range of aeroplane system failures.
- (2) The nature and severity of effects.
- (3) Details of any device or system installed on the aeroplane that can detect the presence of volcanic cloud hazards (e.g. volcanic ash (particulate) sensors or volcanic gas sensors).
- (4) The effect of volcanic ash on operations to/from contaminated aerodromes. In particular,

CS-25 BOOK 2

deposits of volcanic ash on a runway can lead to degraded braking performance, most significantly if the ash is wet.

- (5) The related pre-flight, in-flight and post-flight precautions to be observed by the operator including any necessary amendments to Aircraft Operating Manuals, Aircraft Maintenance Manuals, Master Minimum Equipment List/Dispatch Deviation, or equivalents required to support the operator. Pre-flight precautions should include clearly defined procedures for the removal of any volcanic ash found on parked aeroplanes.
- (6) The recommended continuing airworthiness inspections associated with operations in volcanic cloud contaminated airspace and to/from volcanic ash-contaminated aerodromes; this may take the form of Instructions for Continued Airworthiness or other advice.

[Amdt No: 25/2013]

CS-25 BOOK 2**AMC – SUBPART H****AMC 25 Subpart H
Correlation with previous amendment of CS-25**

The following table provides correlation between CS-25 Subpart H and CS-25 amendment 4:

Subpart H paragraph	Subparagraph	Based on previous CS-25 paragraph
CS 25.1701 Definition	(a)	none
	(b)	none
	(c)	none
CS 25.1703 Function and installation; EWIS	(a)(1)	CS 25.1301(a)
	(a)(2)	CS 25.1301(c)
	(a)(3)	CS 25.1309(a)
	(a)(4)	none
	(b)	none
	(c)	CS 25.869(a)(3)
	(d)	none
CS 25.1705 Systems and functions; EWIS	(a)	none
	(b)(1)	CS 25.773(b)(2)
	(b)(2)	CS 25.854
	(b)(3)	CS 25.855
	(b)(4)	CS 25.857
	(b)(5)	CS 25.858
	(b)(6)	CS 25.981
	(b)(7)	CS 25.1165
	(b)(8)	CS 25.1203
	(b)(9)	CS 25.1303(b)
	(b)(10)	CS 25.1310
	(b)(11)	CS 25.1316
	(b)(12)	CS 25.1331(a)(2)
	(b)(13)	CS 25.1351
	(b)(14)	CS 25.1355
	(b)(15)	CS 25.1360
	(b)(16)	CS 25.1362
	(b)(17)	CS 25.1365
(b)(18)	CS 25.1431(c) & (d)	
CS 25.1707 System separation; EWIS	(a)	CS 25.1353(a)
	(b)	CS 25.1353(a)
	(c)	CS 25.1353(b)
	(d)(1)	CS 25.1351(b)(1)
	(d)(2)	CS 25.1351(b)(2)
	(e)(1)	CS 25.869(a)(3)(i)
	(e)(2)	CS 25.869(a)(3)(ii) CS 25.1353(d)(3)
	(f)(1)	CS 25.869(a)(3)(i)

CS-25 BOOK 2

Subpart H paragraph	Subparagraph	Based on previous CS-25 paragraph
	(f)(2)	CS 25.869(a) (3)(ii) CS 25.1353(d)(3)
	(g)	CS 25.1353(d)(3)
	(h)(1)	CS 25.1353(d)(3)
	(h)(2)	
	(i)(1)	CS 25.1353(d)(3)
	(i)(2)	
	(i)(3)	
	(j)(1)	CS 25.1353(d)(3)
	(j)(2)	
	(k)	none
	(l)	CS 25.1353(d)(3)
CS 25.1709 System safety; EWIS	(1)(i)	CS 25.1309(b)(1)
	(1)(ii)	CS 25.1309(b)(1)
	(2)	CS 25.1309(b)(2)
CS 25.1711 Component identification; EWIS	(a)	CS 25.1301(b)
	(b)(1)	none
	(b)(2)	none
	(c)	CS 25.1353(d)(2)
	(d)	none
CS 25.1713 Fire protection; EWIS	(a)	CS 25.869(a)(1)
	(b)	CS 25.869(a)(2)
	(c)	CS 25.869(a)(4)
CS 25.1715 Electrical bonding and protection against static electricity; EWIS	(a)	CS 25.899
	(b)	none
	(b)(12)	CS 25.1331(a)(2)
	(b)(13)	CS 25.1351
	(b)(14)	CS 25.1355
	(b)(15)	CS 25.1360
	(b)(16)	CS 25.1362
	(b)(17)	CS 25.1365
CS 25.1717 Circuit protection devices; EWIS		CS 25.1353(d)(1)
		CS 25.611
CS 25.1721 Protection of EWIS	(a)(1)	CS 25.855(e)(1)
	(a)(2)	CS 25.855(e)(2)
	(b)	none
	(c)	none
CS 25.1723 Flammable fluid protection; EWIS		CS 25.863(b)(3)
CS 25.1725 Powerplants; EWIS	(a)	CS 25.903(b)
	(b)	CS 25.903(d)(1)

CS-25 BOOK 2

Subpart H paragraph	Subparagraph	Based on previous CS-25 paragraph
CS 25.1727 Flammable fluid shutoff means; EWIS		CS 25.1189(d)
CS 25.1729 Instructions for Continued Airworthiness; EWIS		CS 25.1529
CS 25.1731 Powerplant and APU fire detector system; EWIS	(a)	CS 25.1203(e)
	(b)(1)	CS 25.1203(f)(1)
	(b)(2)	CS 25.1203(f)(2)

Note: The term “none” in the above table indicates that the paragraph did not exist in the CS-25 amendment 4.

[Amdt. No.: 25/5]

AMC 25.1701**Definition**

1 Paragraph CS 25.1701 defines EWIS for the purposes of complying with the subpart H requirements and other EWIS-related requirements of CS 25. CS 25.1701 clearly identifies which wires and components these requirements apply to. Although this definition is located in subpart H to CS 25, it applies to all EWIS requirements regardless of location within CS 25.

2 Subparagraph CS 25.1701(a) defines EWIS as any wire, wiring device, or combination of these, including termination devices, installed in any area of the aeroplane for the purpose of transmitting electrical energy, including data and signals between two or more intended termination points. The term “wire” means bare or insulated wire used for the purpose of electrical energy transmission, grounding, or bonding. This includes electrical cables, coaxial cables, ribbon cables, power feeders, and data busses.

3 Subparagraph CS 25.1701(a) of the requirement provides a listing of the component types that are considered part of the EWIS. These component types are listed as items CS 25.1701(a)(1) through CS 25.1701(a)(13). While these are the most widely used EWIS components it is not an all inclusive list. There may be components used by an applicant to support transmission of electrical energy that are not listed but meet the EWIS definition. They will be EWIS components subject to EWIS related regulatory requirements.

4 CS 25.1701(b) says that EWIS components located inside shelves, panels, racks, junction boxes, distribution panels, and back-planes of equipment racks (e.g., circuit board back-planes, wire integration units, external wiring of equipment) are covered by the EWIS definition. These components are included in the EWIS definition because the equipment they are inside of or part of, is typically designed and made for a particular aeroplane model or series of models. So the requirements that apply to aeroplane EWIS components must be applied to the components inside that equipment. These contrast with avionics components that must be sent back to their manufacturer or a specialized repair shop for service. Components inside shelves, panels, racks, junction boxes, distribution panels, and back-planes of equipment racks are maintained, repaired, and modified by the same personnel who maintain, repair, and modify the EWIS in the rest of the aeroplane. For example, in an electrical distribution panel system separation must be designed and maintained within the panel just like the EWIS leading up to that panel. Identification of components inside the panel is just as important as outside the panel since the wiring inside the panel is treated much the same. Also, while this type of equipment is designed for its intended function and is manufactured and installed to the same standards as other EWIS, it is typically not qualified to an environmental standard such as EUROCAE ED-14 / RTCA DO-160.

5 There are some exceptions to the EWIS definitions and those are given in CS 25.1701(c). Paragraph excepts EWIS components inside the following equipment, and the external connectors that are part of that equipment:

5.1 Electrical equipment or avionics that is qualified to environmental conditions and testing procedures when those conditions and procedures are –

- appropriate for the intended function and operating environment, and

CS-25 BOOK 2

- acceptable to the Agency.

5.2 Portable electrical devices that are not part of the type design of the aeroplane including personal entertainment devices and laptop computers.

5.3 Fibre optics.

6 The first exception means EWIS components located inside avionic or electrical equipment such as flight management system computers, flight data recorders, VHF radios, primary flight displays, navigation displays, generator control units, integrated drive generators, and galley ovens, if this equipment has been tested to industry-accepted environmental testing standards. Examples of acceptable standards are EUROCAE ED-14 / RTCA DO-160, and equipment qualified to a European Technical Standard Order (ETSO)

7 An applicant may use any environmental testing standard if the applicant can demonstrate that the testing methods and pass/fail criteria are at least equivalent to the widely accepted standards of EUROCAE ED-14 / RTCA DO-160, or a specific ETSO. Applicants should submit details of the environmental testing standards and results of the testing that demonstrate the equipment is suited for use in the environment in which it will be operated.

[Amdt. No.: 25/5]

AMC 25.1703**Function And Installation; EWIS**

1 CS 25.1703 requires that applicants select EWIS components that are of a kind and design appropriate to their intended function just as CS 25.1301 requires this for other pieces of equipment installed on the aeroplane. Factors such as component design limitations, functionality, and susceptibility to arc tracking and moisture or other known characteristics of the particular component must be considered.

2 Subparagraph 25.1703(a)(1) requires that each EWIS component be of a kind and design appropriate to its intended function. In this context, the requirement means that components must be qualified for airborne use, or otherwise specifically assessed as acceptable for their intended use. To be "appropriate" means that the equipment is used in a manner for which it was designed. For example, a wire rated at 150 degrees Celsius would not be appropriate for installation if that installation would cause the wire to operate at a temperature higher than 150 degrees Celsius. Wire and other components made for household or consumer products use may not be appropriate for airborne use because they are manufactured for the consumer market and not for use in an airborne environment. Other factors that must be considered for EWIS component selection are mechanical strength, voltage drop, required bend radius, and expected service life.

3. Subparagraph 25.1703(a)(2) requires that EWIS components be installed according to their limitations. As used here, limitations means the design and installation requirements of the particular EWIS component. Examples of EWIS component limitations are maximum operating temperature, degree of moisture resistance, voltage drop, maximum current-carrying capability, and tensile strength. EWIS component selection and installation design must take into account various environmental factors including, but not limited to, vibration, temperature, moisture, exposure to the elements or chemicals (de-icing fluid, for instance), insulation type, and type of clamp.

4 Subparagraph 25.1703(a)(3) requires that EWIS function properly when installed. The key word in understanding the intent of this paragraph is "properly," as that relates to airworthiness of the aeroplane. For an EWIS component to function properly means that it must be capable of safely performing the function for which it was designed. For example, the fact that an in-flight entertainment (IFE) system fails to deliver satisfactory picture or sound quality is not what the term "properly" refers to. This is not a safety issue and therefore not a concern for certification aspects. The failure of an EWIS component has the potential for being a safety hazard whether it is part of a safety-related system or an IFE system. Therefore, EWIS components must always function properly (safely) when installed, no matter what system they are part of and any malfunction of the EWIS must not degrade the airworthiness of the aeroplane (refer to CS 25.1709 for terminology relating to failure classifications).

CS-25 BOOK 2

5 Subparagraph 25.1703(a)(4) requires that EWIS components be designed and installed so mechanical strain is minimised. This means the EWIS installation must be designed so that strain on wires would not be so great as to cause the wire or other components to fail. This paragraph requires that adequate consideration be given to mechanical strain when selecting wire and cables, clamps, strain relieves, stand-offs, and other devices used to route and support the wire bundle when designing the installation of these components.

6 Subparagraph 25.1703(b) requires that selection of wires take into account known characteristics of different wire types in relation to each specific application, to minimise risk of damage. It is important to select the aircraft wire type whose construction matches the application environment. The wire type selected should be constructed for the most severe environment likely to be encountered in service. This means, for example, that insulation types susceptible to arc tracking should not be used in areas exposed to high vibration and constant flexing in a moisture-prone environment.

7 Subparagraph 25.1703(c) contains the requirement formerly located in CS 25.869(a)(2) that design and installation of the main power cables allow for a reasonable degree of deformation and stretching without failure. Although it is now located in CS 25.1703(c), the meaning of the requirement has not changed. The reason for this requirement is the same as for CS 25.993(f), which requires that each fuel line within the fuselage be designed and installed to allow a reasonable degree of deformation and stretching without leakage. The idea is that the fuselage can be damaged with partial separation or other structural damage without the fuel lines or electrical power cables breaking apart. Allowing for a certain amount of stretching will help to minimise the probability of a fuel-fed fire inside the fuselage. As it is used in this requirement, a "reasonable degree of deformation and stretching" should be about 10% of the length of the electrical cable.

8 Subparagraph 25.1703(d) requires that EWIS components located in areas of known moisture build-up be adequately protected to minimise moisture's hazardous effects. This is to ensure that all practical means are used to ensure damage from fluid contact with components does not occur. Wires routed near a lavatory, galley, hydraulic lines, severe wind and moisture problem areas such as wheel wells and wing trailing edges, and any other area of the aeroplane where moisture collection could be a concern must be adequately protected from possible adverse effects of exposure to moisture.

9 EWIS component selection

9.1 Expected service life.

Expected service life is a factor needing consideration in selecting EWIS components to use. Expected service life means the expected service lifetime of the EWIS. This is not normally less than the expected service life of the aircraft structure. If the expected service life requires that all or some of the EWIS components be replaced at certain intervals, then these intervals must be specified in the ICA as required by CS 25.1529. If the aircraft service life is extended, then EWIS components should be taken into account.

9.2 Qualified components.

EWIS components should be qualified for airborne use or specifically assessed as acceptable for the intended use and be appropriate for the environment in which they are installed.

Aircraft manufacturers list approved components in their manuals, such as the standard wiring practices manual (ATA Chapter 20). Ideally, only the components listed in the applicable manual or approved substitutes should be used for the maintenance, repair or modification of the aircraft. EWIS modifications to the original type design should be designed and installed to the same standards used by the original aircraft manufacturer or other equivalent standards acceptable to the Agency. This is because the manufacturer's technical choice of an EWIS component is not always driven by regulatory requirements alone. In some cases specific technical constraints would result in the choice of a component that exceeds the minimum level required by the regulations.

9.3 Mechanical strength. EWIS components should have sufficient mechanical strength for their service conditions.

CS-25 BOOK 2

- a. The EWIS should be installed with sufficient slack so that bundles and individual wires are not under undue tension.
- b. Wires connected to movable or shock-mounted equipment should have sufficient length to allow full travel without tension on the bundle to the point where failure of the EWIS could occur.
- c. Wiring at terminal lugs or connectors should have sufficient slack to allow for two re-terminations without replacement of wires, unless other design considerations apply. This slack should be in addition to the drip loop and the allowance for movable equipment.
- d. In order to prevent mechanical damage wires should be supported by suitable clamps or other devices at suitable intervals. The design should be such that the failure of a single clamp will not in itself result in the wire or wire bundle coming into contact with other wires, equipment, structure, fluid lines, control cables, or other items that could cause damage to the wire. Because of in-service experience with abrasion and chafing of wires contained in troughs, ducts, or conduits justification should be given if additional support of the wires will not be used. The supporting devices should be of a suitable size and type, with the wires and cables held securely in place without damage to the insulation as per Society of Automotive Engineers SAE AS50881 or equivalent standard

9.4 Minimum bend radius.

To avoid damage to wire insulation, the minimum radius of bends in single wires or bundles should be in accordance with the wire manufacturer's specifications. Guidance on the minimum bend radius can be found in the manufacturer's standard wiring practices manual. Other industry standards such as AECMA EN3197 or SAE AS50881 also contain guidance on minimum bend radius. For example, SAE AS50881b states: "For wiring groups, bundles, or harnesses, and single wires and electrical cables individually routed and supported, the minimum bend radius shall be ten times the outside diameter of the largest included wire or electrical cable. At the point where wiring breaks out from a group, harness or bundle, the minimum bend radius shall be ten times the diameter of the largest included wire or electrical cable, provided the wiring is suitably supported at the breakout point. If wires used as shield terminators or jumpers are required to reverse direction in a harness, the minimum bend radius of the wire shall be three times the diameter at the point of reversal providing the wire is adequately supported."

9.5 Coaxial cable damage.

Damage to coaxial cable can occur when the cable is clamped too tightly or bent sharply (normally at or near connectors). Damage can also be incurred during unrelated maintenance actions around the coaxial cable. Coaxial cable can be severely damaged on the inside without any evidence of damage on the outside. Installation design should minimise the possibility of such damage. Coaxial cables have a minimum bend radius. SAE AS50881b states: "The minimum radius of bend shall not adversely affect the characteristics of the cable. For flexible type coaxial cables, the radius of bend shall not be less than six times the outside diameter. For semi-rigid types, the radius shall not be less than ten times the outside diameter."

9.6 Wire bundle adhesive clamp selection.

Certain designs use adhesive means to fasten bundle supports to the aircraft structure. Service history shows that these can work loose during aircraft operation, either as a result of improper design or inadequate surface preparation. You should pay particular attention to the selection and methods used for affixing this type of wire bundle support.

9.7 Wire bundle routing.

Following are some considerations that should go into the design of an EWIS installation.

- a. Wire bundles should be routed in accessible areas that are protected from damage from personnel, cargo, and maintenance activity. As far as practicable they should not be routed in areas in where they are likely to be used as handholds or as support for personal equipment or where they could become damaged during removal of aircraft equipment (reference CS 25.1719 and 25.1721).
- b. Wiring should be clamped so that contact with equipment and structure is avoided. Where this cannot be accomplished, extra protection, in the form of grommets, chafe strips, etc., should be provided.

CS-25 BOOK 2

Wherever wires cannot be clamped, protective grommets should be used, wherever wires cannot be clamped, in a way that ensures clearance from structure at penetrations. Wire should not have a preload against the corners or edges of chafing strips or grommets.

c. As far as practicable wiring should be routed away from high-temperature equipment and lines to prevent deterioration of insulation (reference CS 25.1707(j)).

d. Wiring routed across hinged panels, should be routed and clamped so that the bundle will twist, rather than bend, when the panel is moved. When not possible, the bending radius must be in accordance with the acceptable minimum bundle radius.

9.8 Conduits.

Conduits should be designed and manufactured so that potential for chafing between the wiring and the conduit internal walls is minimised.

a. Non-metallic conduit. Insulating tubing (or sleeving) is sometimes used to provide additional electrical, environmental, and limited additional mechanical protection or to increase the external wire dimension. Insulating tubing should not be considered as the sole mechanical protection against external abrasion of wire because it does not prevent external abrasion. At best, it provides only a delaying action against the abrasion. The electrical and mechanical properties of the tubing need to be considered to ensure that its use is appropriate for the type of protection that the designer intends it to be used for. Additional guidance on the use of insulating tubing or sleeving is given in AMC 25.1707 paragraph (2)(c).

b. Metallic conduit. The ends of metallic conduits should be flared and the interior surface treated to reduce the possibility of abrasion.

9.9 Connector selection.

The connector used for each application should be selected only after a careful determination of the electrical and environmental requirements.

a. Particular attention should be given to any use of components with dissimilar metals, because this may cause electrolytic corrosion.

b. Environment-resistant connectors should be used in applications that will be subject to fluids, vibration, temperature extremes, mechanical shock, corrosive elements, etc.

c. Sealing plugs and contacts should be used in unused connector cavities where necessary. In addition, firewall class connectors incorporating sealing plugs should be able to prevent the penetration of the fire through the aircraft firewall connector opening and continue to function without failure for a specified period of time when exposed to fire.

d. When electromagnetic interference and radio frequency interference (EMI and RFI) protection is required, Special attention should be paid to the termination of individual and overall shields. Back shell adapters designed for shield termination, connectors with conductive finishes, and EMI grounding fingers are available for this purpose.

9.10 Splice selection.

Environmentally sealed splices should be used in accordance with the requirements of the airframe manufacturer's standard wiring practices or SAE AS81824/1, or equivalent specification, particularly in un-pressurized and severe wind and moisture problem (SWAMP) areas. However, the possibility of fluid contamination in any installation needs to be considered.

a. Splices in pressurised areas. In pressurised areas, pre-insulated splices conforming to SAE AS7928, or equivalent specification, may be used if these types of splices are listed as acceptable for use by the manufacturer in their standard wiring practices manual. The possibility of fluid contamination in any installation should also be considered.

b. Mechanically protected splices. Mechanical splices allow maintenance personnel an alternative method to using a heat gun for splices in fuel vapour areas on post-delivery aircraft. The generally available

CS-25 BOOK 2

environmental splices use heat shrink material that needs application of heat. Most of these heat sources cannot be used in flammable vapour areas of an aircraft without proper precautions. Mechanical splices are acceptable for use in high temperature and fuel vapour areas, provided the splice is covered with a suitable plastic sleeve, such as a dual wall shrink sleeve or high temperature tape, such as Teflon, wrapped around the splice and tied at both ends. If high temperature tape is used, it should be permanently secured at both ends. Mechanical splices should be installed according to the airframe manufacturer's standard practices, or equivalent specification. The manufacturer's standard wiring practices manual should provide part number detail and best practices procedures for mechanical splices. It should also detail the applicability of each of the recommended splices for all required critical aeroplane installations.

c. Aluminium wire splice. Splices for aluminium wires should be in accordance with the requirements of the airframe manufacturers' standard practices or SAE AS70991, MS25439, or equivalent specification. Conditions that result in excessive voltage drop and high resistance at junctions that may ultimately lead to failure of the junction should be avoided. The preferable location for aluminium splices is in pressurized areas. To avoid contamination from foreign particles the crimp tool should be dedicated to aluminium wire crimping.

9.11 Wire selection.

a. Installation environment.

(1) Careful attention should be applied when deciding on the type of wire needed for a specific application. Due consideration should be given such that the wire's construction properly matches the application environment. For each installation, you should select wire construction type suitable for the most severe environment likely to be encountered in service. For example use a wire type that is suitable for flexing for installations involving movement, use a wire type that has a high temperature rating for higher temperature installations.

(2) When considering the acceptability of wire, you should refer to the industry standards defining acceptable test methods for aircraft wire, including arc tracking test methods. (e.g. EN3475, SAE AS4373, or alternative manufacturer standards)

(3) Wires such as fire detection, fire extinguishing, fuel shutoff, and fly-by-wire / engine control system wiring that must operate during and after a fire must be selected from wire types qualified to provide circuit integrity after exposure to fire for a specified period.

b. Wire insulation selection.

Wire insulation type should be chosen according to the environmental characteristics of wire routing areas. One wire insulation characteristic of particular concern is arc tracking. Arc tracking is a phenomenon in which a conductive carbon path forms across an insulating surface. A breach in the insulation allows arcing and carbonizes the insulation. The resulting carbon residue is electrically conductive. The carbon then provides a short circuit path through which current can flow. This can occur on either dry or wet wires. Certain types of wire insulation are more susceptible to arc tracking than others, and wire insulated with aromatic polyimide is one. Therefore, its use should be limited to applications where it will not be subjected to high moisture, high vibration levels, or abrasion, or where flexing of the wire will occur. There are new types of aromatic polyimide insulated wire, such as hybrid constructions (e.g., the aromatic polyimide tape is the middle layer, and the top and bottom layer is another type of insulation such as Teflon tape) which are less susceptible to arc tracking.

c. Mechanical strength of wire.

Wires should be sufficiently robust to withstand all movement, flexing, vibration, abrasion and other mechanical hazards to which they may be reasonably subjected on the aeroplane. Generally, conductor wire should be stranded to minimise fatigue breakage. Refer to AS50881 and AECMA EN3197 for additional guidance. Additionally, wires should be robust enough to withstand the mechanical hazards they may be reasonably subjected to during installation into the aircraft.

d. Mixing of different wire insulation types.

Different wire types installed in the same bundle should withstand the wire-to-wire abrasion they will be subject to. Consideration should be given to the types of insulation mixed within wire bundles, especially if mixing a hard insulation type with a relatively softer type, and particularly when relative motion could occur

CS-25 BOOK 2

between the wires. Such relative motion between varying wire insulation types could lead to accelerated abrasion and subsequent wire failure.

e. Tin plated conductors.

Tin plated conductors may be difficult to solder if not treated properly, so preparation of the conductor is necessary to ensure a good connection is made.

(f) Wire gauge selection.

To select the correct size of electrical wire, the following requirements should be considered:

- (1) The wire size should be matched with the circuit protective device with regard to the required current.
- (2) The wire size should be sufficient to carry the required current without overheating.
- (3) The wire size should be sufficient to carry the required current over the required distance without excessive voltage drop (based on system requirements).
- (4) Particular attention should be given to the mechanical strength and installation handling of wire sizes smaller than AWG 22 (e.g., consideration of vibration, flexing, and termination.) Use of high-strength alloy conductors should be considered in small gauge wires to increase mechanical strength.

Note: Additional guidance for selecting wires and other EWIS components can be found in SAE AS50881 and EN2853.

g. Wire temperature rating.

Selection of a temperature rating for wire should include consideration of the worst-case requirements of the application. Caution should be used when locating wires in areas where heat is generated, for example where oxygen generators or lighting ballast units are located.

- (1) Wires have a specified maximum continuous operating temperature. For many types, this may be reached by any combination of maximum ambient temperature and the temperature rise due to current flow.
- (2) In general, it is undesirable to contribute more than 40°C rise to the operating temperature by electrical heating.
- (3) Other factors to be considered are altitude de-rating, bundle size de-rating, and use of conduits and other enclosures.
- (4) Particular note should be taken of the specified voltage of any wire where higher than normal potentials may be used. Examples are discharge lamp circuits and windscreen heating systems.

h. EWIS components in moisture areas.

- (1) Severe wind and moisture problem.

Areas designated as severe wind and moisture problem (SWAMP) areas are different from aircraft to aircraft but they generally are considered to be such areas as wheel wells, wing folds, pylons, areas near wing flaps, and other exterior areas that may have a harsh environment. Wires for these applications should incorporate design features that address these severe environments.

- (2) Silver plated conductors.

Many high strength copper alloy conductors and coaxial cables use silver plating. Contamination of silver-plated conductors with glycol (de-icing fluid) can result in electrical fire. Accordingly, you should not use silver plated conductors in areas where de-icing fluid can be present unless suitable protection features are employed. Silver plated conductors and shields can exhibit a corrosive condition (also known as 'Red Plague') if the plating is damaged or of poor quality and is exposed to moisture. Designers should be aware of these conditions.

CS-25 BOOK 2

(3) Fluid contamination of EWIS components.

Fluid contamination of EWIS components should be avoided as far as practicable. But EWIS components should be designed and installed with the appropriate assumptions about fluid contamination, either from the normal environment or from accidental leaks or spills. Industry standards, such as RTCA DO-160/EUROCAE ED-14, contain information regarding typical aircraft fluids. It is particularly important to appreciate that certain contaminants, notably from toilet waste systems, galleys, and fluids containing sugar, such as sweetened drinks, can induce electrical tracking in already degraded electrical wires and unsealed electrical components. The only cleaning fluids that should be used are those recommended by the aeroplane manufacturer in its standard practices manual.

10 EWIS component selection for future modifications

If a TC includes subpart H in its certification basis, future modifiers of those TCs should comply with the subpart H requirements by using the same or equivalent standards / design practices as those used by the TC holder. If modifiers choose to deviate from those standards / design practices, they should have to substantiate compliance independently. The standards / design practices used by the TC holder in order to justify their own choice of components should also be considered.

[Amdt. No.: 25/5]

AMC 25.1707**System separation; EWIS**

1 Summary

The continuing safe operation of an aeroplane depends on the safe transfer of electrical energy by the EWIS. If an EWIS failure occurs, its separation from other EWIS and from other systems and structures plays an important role in ensuring that hazardous effects of the failure are mitigated to an acceptable level. CS 25.1707 requires applicants to design EWIS with appropriate separation to minimise the possibility of hazardous conditions that may be caused by an EWIS interfering with other EWIS, other aeroplane systems, or structure.

The purpose of separation is to prevent hazards of interference between wires in a single bundle, between two or more bundles, or between an electrical bundle and a non-electrical system or structure. Such interference could take the form of mechanical and or electrical interference (EMI for example). Mechanical interference examples include chafing between electrical cables or pipes or structure and may lead to fluid leakage such as galley water waste systems.

2 Separation by physical distances versus separation by barrier.

CS 25.1707 states that adequate physical separation must be achieved by separation distance or by a barrier that provides protection equivalent to that separation distance. The following should be considered when designing and installing an EWIS:

a. In most cases, physical distance is the preferred method of achieving the required separation. This is because barriers themselves can be the cause of EWIS component damage (e.g., chafing inside of conduits) and can lead to maintenance errors such as barriers removed during maintenance and inadvertently left off. They can also interfere with visual inspections of the EWIS.

b. If a barrier is used to achieve the required separation, CS 25.1707 requires that it provide at least the same level of protection that would be achieved with physical distance. That means that when deciding on the choice of the barrier, factors such as dielectric strength, maximum and minimum operating temperatures, chemical resistivity, and mechanical strength should be taken into account.

c. In addition to the considerations given in paragraph (b) above, when wire bundle sleeving is used to provide separation, applicants should consider that the sleeving itself is susceptible to the same types of damage as wire insulation. The appropriate type of sleeving must be selected for each specific application and design consideration must be given to ensuring that the sleeving is not subjected to damage that would reduce the separation it provides.

CS-25 BOOK 2**3 Determination of separation.**

Determining the necessary amount of physical separation distance is essential. But because each system design and aeroplane model can be unique, and because manufacturers have differing design standards and installation techniques, CS 25.1707 does not mandate specific separation distances. Instead it requires that the chosen separation be adequate so that an EWIS component failure will not create a hazardous condition. The following factors should be considered when determining the separation distance:

- a. The electrical characteristics, amount of power, and severity of failure condition of the system functions performed by the signals in the EWIS and adjacent EWIS.
- b. Installation design features, including the number, type, and location of support devices along the wire path.
- c. The maximum amount of slack wire resulting from wire bundle build tolerances and the variability of wire bundle manufacturing
- d. Probable variations in the installation of the wiring and adjacent wiring, including position of wire support devices and amount of wire slack possible.
- e. The intended operating environment, including amount of deflection or relative movement possible and the effect of failure of a wire support or other separation means.
- f. Maintenance practices as defined by the aeroplane manufacturer's standard wiring practices manual and the ICA required by CS 25.1529 and CS 25.1729.
- g. The maximum temperature generated by adjacent wire/wire bundles during normal and fault conditions.
- h. Possible EMI, HIRF, or induced lightning effects.

4 Cases of inadequate separation.

Some areas of an aeroplane may have localized areas where maintaining the minimum physical separation distance is not feasible. This is especially true in smaller aeroplanes. In those cases, other means of ensuring equivalent minimum physical separation may be acceptable, if testing or analysis demonstrates that safe operation of the aeroplane is not jeopardized. The applicant should substantiate to the Agency that the means to achieve the required separation provides the necessary level of protection for wire related failures. Electro-magnetic interference (EMI) protection must also be verified.

5 Meaning of the term "hazardous condition" as used in CS 25.1707.

The term "hazardous condition" in CS 25.1707 has the same meaning as the one used in CS 25.1309 or CS 25.1709. Unlike CS 25.1309 or CS 25.1709, no probability objectives are required for compliance. The intent of CS 25.1707, is that the applicant must perform a qualitative design assessment of the installed EWIS and the physical separation to guard against hazardous conditions

This assessment involves the use of reasonable engineering and manufacturing judgment and assessment of relevant service history to decide whether an EWIS, system, or structural component could fail in such a way as to create a condition that would affect the aeroplane's ability to continue safe operation. However, the requirements of CS 25.1707 do not preclude the use of valid component failure rates if the applicant chooses to use a probability argument in addition to the design assessment to demonstrate compliance. It also does not preclude the agency from requiring such an analysis if the applicant cannot adequately demonstrate that hazardous conditions will be prevented solely by using the qualitative design assessment.

6 Subparagraph CS 25.1707(a) requires that EWIS associated with any system on the aeroplane

CS-25 BOOK 2

be designed and installed so that under normal conditions and failure conditions, it will not adversely affect the simultaneous operation of any other systems necessary for continued safe flight, landing, and egress. CS 25.1707(a) also requires that adequate physical separation be achieved by separation distance or by a barrier that provides protection equivalent to that separation distance.

7 Subparagraph 25.1707(b) requires that each EWIS be designed and installed to limit electrical interference on the aeroplane.

One type of electrical interference is electromagnetic interferences (EMI). Electromagnetic interference can be introduced into aeroplane systems and wiring by coupling between electrical cables or between cables and coaxial lines or other aeroplane systems. Function of systems should not be affected by EMI generated by adjacent wire. EMI between wiring which is a source of EMI and wire susceptible to EMI increases in proportion to the length of parallel runs and decreases with greater separation. Wiring of sensitive circuits that may be affected by EMI should be routed away from other wiring interference, or provided with sufficient shielding to avoid system malfunctions under operating conditions. EMI should be limited to negligible levels in wiring related to systems necessary for continued safe flight, landing and egress. The following sources of interference should be considered:

- a. Conducted and radiated interference caused by electrical noise generation from apparatus connected to the busbars.
- b. Coupling between electrical cables or between cables and aerial feeders.
- c. Malfunctioning of electrically-powered apparatus.
- d. Parasitic currents and voltages in the electrical distribution and grounding systems, including the effects of lightning currents or static discharge.
- e. Different frequencies between electrical generating systems and other systems.

8 This paragraph 25.1707(c) contains the wire-related requirements formerly located in CS 25.1353(b). Coverage is expanded beyond wires and cable carrying heavy current to include their associated EWIS components as well. This means that all EWIS components, as defined by CS 25.1701, that are associated with wires and cables carrying heavy current must be installed in the aeroplane so damage to essential circuits will be minimised under fault conditions.

9 Subparagraph 25.1707(d) contains wire-related requirements from CS 25.1351(b)(1) and (b)(2) and introduces additional requirements.

a. Subparagraph (d) requires that EWIS components associated with the generating system receive the same degree of attention as other components of the system, such as the electrical generators.

b. Subparagraph (d)(1) prohibits aeroplane independent electrical power sources from sharing a common ground terminating location. Paragraph (d)(2) prohibits aeroplane static grounds from sharing a common ground terminating location with any aeroplane independent electrical power sources. The reason for these paragraphs is twofold:

(1) to help ensure the independence of separate electrical power sources so that a single ground failure will not disable multiple power sources; and

(2) to prevent introduction of unwanted interference into aeroplane electrical power systems from other aeroplane systems.

10 Subparagraphs 25.1707(e), (f), (g), (h) contain specific separation requirements for the fuel, hydraulic, flight and mechanical control system cables, oxygen, hot bleed air systems, and waste/water systems. They require adequate EWIS separation from those systems except to the extent necessary to provide any required electrical connection to them. EWIS must be designed and installed with adequate separation so a failure of an EWIS component will not create a hazardous condition and any leakage from those systems (i.e., fuel, hydraulic, oxygen, waste/water) onto EWIS components will not

CS-25 BOOK 2

create a hazardous situation.

a. Under fault conditions and without adequate EWIS separation a potential catastrophic hazard could occur should an arcing fault ignite a flammable fluid like fuel or hydraulic fluid. Also an arcing fault has the potential to puncture a line associated with those systems if adequate separation is not maintained. If there is leakage from one of those systems and an arcing event occurs, fire or explosion could result. Similarly, leakage from the water/waste system can cause damage to EWIS components and adversely affect their integrity. An EWIS arcing event that punctures a water or waste line could also introduce fluids into other aeroplane systems and create a hazardous condition.

b. In addition to the required separation distance, the use of other protection means such as drip shields should be considered to prevent the potential for fluids to leak onto EWIS.

11 Subparagraph 25.1707(i). To prevent chafing, jamming, or other types of interference, or other failures that may lead to loss of control of the aeroplane, EWIS in general and wiring in particular must be physically separated from flight control or other types of control cables. Mechanical cables have the potential to cause chafing of electrical wire if the two come into contact. This can occur either through vibration of the EWIS and/or mechanical cable or because of cable movement in response to a system command. A mechanical cable could also damage other EWIS components, such as a wire bundle support, in a way that would cause failure of that component. Also, if not properly designed and installed, a wire bundle or other EWIS component could interfere with movement of a mechanical control cable by jamming or otherwise restricting the cable's movement.

Without adequate separation, an arcing fault could damage or sever a control cable. A control cable failure could damage EWIS. Therefore, paragraph (i) requires an adequate separation distance or barrier between EWIS and flight or other mechanical control systems cables and their associated system components. It also requires that failure of an EWIS component must not create a hazardous condition and that the failure of any flight or other mechanical control systems cables or systems components must not damage EWIS and creates a hazardous condition. Clamps for wires routed near moveable flight controls should be attached and spaced so that failure of a single attachment point cannot interfere with flight controls or their cables, components, or other moveable flight control surfaces or moveable equipment.

12 Subparagraph 25.1707(j) requires that EWIS design and installation provide adequate physical separation between the EWIS components and heated equipment, hot air ducts, and lines. Adequate separation distance is necessary to prevent EWIS damage from extreme temperatures and to prevent an EWIS failure from damaging equipment, ducts, or lines. High temperatures can deteriorate wire insulation and other parts of EWIS components, and if the wire or component type is not carefully selected, this deterioration could lead to wire or component failure. Similarly, should an arcing event occur, the arc could penetrate a hot air duct or line and allow the release of high pressure, high temperature air. Such a release could damage surrounding components associated with various aeroplane systems and potentially lead to a hazardous situation.

13 Subparagraph AMC 25.1707(k). For systems for which redundancy is required either by specific certification requirements, operating rules or by CS 25.1709, each applicable EWIS must be designed and installed with adequate physical separation. To maintain the independence of redundant systems and equipment so that safety functions are maintained, adequate separation and electrical isolation between these systems must be ensured as follows:

a. EWIS of redundant aircraft systems should be routed in separate bundles and through separate connectors to prevent a single fault from disabling multiple redundant systems. Segregation of functionally similar EWIS components is necessary to prevent degradation of their ability to perform their required functions.

b. Power feeders from separate power sources should be routed in bundles separate from each other and from other aircraft wiring in order to prevent a single fault from disabling more than one power source.

c. Wiring that is part of electro-explosive subsystems, such as cartridge-actuated fire extinguishers and emergency jettison devices, should be routed in shielded and jacketed twisted-pair cables, shielded without discontinuities, and kept separate from other wiring at connectors.

CS-25 BOOK 2

14 Subparagraph 25.1707(l) requires that EWIS be designed and installed so they are adequately separated from aircraft structure and protected from sharp edges and corners. This is to minimise the potential for abrasion and chafing, vibration damage, and other types of mechanical damage. This protection is necessary because over time the insulation on a wire that is touching a rigid object, such as an equipment support bracket, will fail and expose bare wire. This can lead to arcing that could destroy that wire and other wires in its bundle. Structural damage could also occur depending on the amount of electrical energy the failed wire carries.

[Amdt. No.: 25/5]

AMC 25.1709
System safety; EWIS

25.1709 requires applicants to perform a system safety assessment of the EWIS. The analysis required for compliance with CS 25.1709 is based on a qualitative approach to assessing EWIS safety as opposed to numerical, probability-based quantitative analysis. The safety assessment must consider the effects that both physical and functional failures of EWIS would have on aeroplane safety. That safety assessment must show that each EWIS failure considered hazardous is extremely remote. It must show that each EWIS failure considered to be catastrophic is extremely improbable and will not result from a single failure.

1 Objective.

The objective of CS 25.1709 is to use the concepts of CS 25.1309 to provide a thorough and structured analysis of aircraft wiring and its associated components. As in CS 25.1309, the fail-safe design concept applies. Any single failure condition, such as an arc fault, should be assumed to occur regardless of probability.

2 Inadequacies of CS 25.1309 in relation to EWIS safety assessments.

CS 25.1309 requires the applicant to perform system safety assessments. But current CS 25.1309 practice has not led to the type of analysis that fully ensures all EWIS failure conditions affecting aeroplane level safety are considered. This is because wiring for non-required systems is sometimes ignored. Even for systems covered by CS 25.1309(b), the safety analysis requirements have not always been applied to the associated wire. When they are, there is evidence of inadequate and inconsistent application. Traditional thinking about non-required systems, such as IFE, has been that, since they are not required, and the function they provide is not necessary for the safety of the aeroplane, their failure could not affect the safety of the aeroplane. This is not a valid assumption. Failure of an electrical wire, regardless of the system it is associated with, can cause serious physical and functional damage to the aeroplane, resulting in hazardous or even catastrophic failure conditions. An example of this is arcing from a shorted wire cutting through and damaging flight control cables. There are more failure modes than have been addressed with traditional analyses. Some further examples are arcing events that occur without tripping circuit breakers, resulting in complete wire bundle failures and fire; or wire bundle failures that lead to structural damage

3 Integrated nature of EWIS.

The integrated nature of wiring and the potential severity of failures demand a more structured safety analysis approach than that traditionally used under CS 25.1309. CS 25.1309 system safety assessments typically evaluate effects of wire failures on system functions. But they have not considered physical wire failure as a cause of the failure of other wires within the EWIS. Traditional assessments look at external factors like rotor burst, lightning, and hydraulic line rupture, but not at internal factors, like a single wire chafing or arcing event, as the cause of the failure of functions supported by the EWIS. Compliance with CS 25.1709 requires addressing those failure modes at the aeroplane level. This means that EWIS failures need to be analyzed to determine what effect they could have on the safe operation of the aeroplane.

4 Compliance summary.

CS-25 BOOK 2

As specified above, the analysis required for compliance with CS 25.1709 is based on a qualitative approach to assessing EWIS safety as opposed to numerical, probability-based quantitative analysis. The intent is not to examine each individual wire and its relation to other wires. Rather, it is to ensure that there are no combinations of failures that could lead to a hazardous condition. However, in case the “top down” analysis process described in this AMC determines that a failure in a given bundle may lead to a catastrophic failure condition, the mitigation process may lead to performing a complete analysis of each wire in the relevant bundle.

5 Qualitative probability terms.

When using qualitative analyses to determine compliance with CS 25.1709, the following descriptions of the probability terms have become commonly accepted as aids to engineering judgment:

a. Extremely remote failure conditions.

These are failure conditions that are not anticipated to occur to an individual aeroplane during its total life but which may occur a few times when considering the total operational life of all aeroplanes of the type.

b. Extremely improbable failure conditions.

These are failure conditions so unlikely that they are not anticipated to occur during the entire operational life of all aeroplanes of one type.

6 Relationship to CS 25 system safety assessments.

The analysis described may be accomplished in conjunction with the required aircraft system safety assessments of CS 25.1309, 25.671, etc.

7 Classification of failure terms.

The classification of failure conditions is specified in AMC 25.1309.

8 Flowcharts depicting the analysis process.

Flowcharts 1 and 2 outline one method of complying with the requirements of CS 25.1709. The processes in both Flowcharts 1 and 2 identify two aspects of the analysis: physical failures and functional failures. The processes described in both flowcharts begins by using the aircraft level functional hazard analysis developed for demonstrating compliance with CS 25.1309 to identify catastrophic and hazardous failure events. A step-by-step explanation of the analysis depicted in the flowcharts is given in paragraphs 11 (for flowchart 1) and 12 (for Flowchart 2).

a. Flowchart 1.

This flowchart applies to applicants for pre-TC work and for amended TCs, and STCs when the applicant has all data necessary to perform the analysis. If Flowchart 1 is used for post-TC modifications the available data must include identification of the systems in the EWIS under consideration for modification and the system functions associated with that EWIS.

b. Flowchart 2.

This flowchart applies to applicants for post-TC modifications when the applicant cannot identify the systems or systems functions contained in EWIS under consideration for modification.

9 Definitions applicable to CS 25.1709.

For this discussion the following definitions apply:

CS-25 BOOK 2

- a. Validation. Determination that requirements for a product are sufficiently correct and complete.
- b. Verification. Evaluation to determine that requirements have been met.
- c. Mitigation. Elimination of the hazard entirely or suitable precautions taken to minimize the overall severity to an acceptable level.

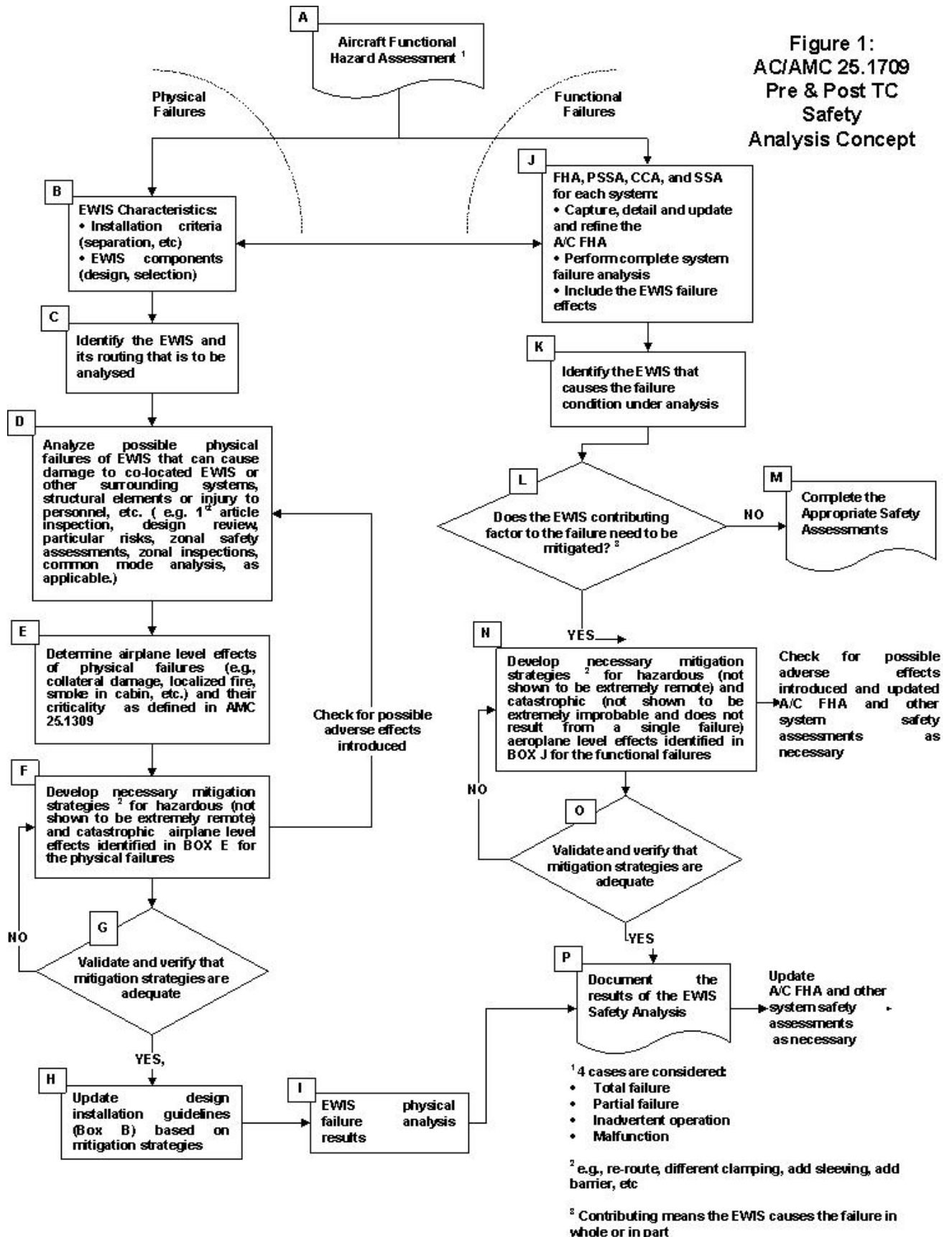
10 Physical failure analysis.

a. Only single common cause events or failures need to be addressed during the physical failure analysis as described in this AMC and shown on the left hand sides of Flowcharts 1 and 2. Multiple common cause events or failures need not be addressed.

b. In relation to physical effects, it should be assumed that wires are carrying electrical energy and that, in the case of an EWIS failure, this energy may result in hazardous or catastrophic effects directly or when combined with other factors, for example fuel, oxygen, hydraulic fluid, or damage by passengers. These failures may result in fire, smoke, emission of toxic gases, damage to co-located systems and structural elements or injury to personnel. This analysis considers all EWIS from all systems (autopilot, auto throttle, PA system, IFE systems, etc.) regardless of the system criticality.

CS-25 BOOK 2

Flowchart 1: Pre- and Post-Type Certification Safety Analysis Concept



Note: Mitigation as used in this flowchart means to eliminate the hazard entirely or minimise its severity to an acceptable level.

CS-25 BOOK 2

11 Descriptive text for flowchart 1

a. *Box A: Aircraft functional hazard assessment.*

(1) The functional failure analysis assumes that electrical wires are carrying power, signal, or information data. Failure of EWIS under these circumstances may lead to aircraft system degradation effects.

(2) The functional hazard assessment (FHA) referred to in this box is not a stand-alone separate document specifically created to show compliance with CS 25.1709. It is the aircraft level FHA that the applicant will have developed in compliance with CS 25.1309 to help demonstrate acceptability of a design concept, identify potential problem areas or desirable design changes, or determine the need for and scope of any additional analyses (refer to AMC 25.1309)

5 b. Analysis of Possible Physical Failures

(1) *Box B: EWIS characteristics.*

Use the results of the FHA (BOX A and BOX J) to identify EWIS installation criteria and definitions of component characteristics. Results from BOX B are fed into the preliminary system safety analysis (PSSA) and system safety analysis (SSA) of BOX J.

(2) *Boxes C, D and E: Validation and verification of installation criteria.*

(i) Ensure that the EWIS component qualification satisfies the design requirements and that components are selected, installed, and used according to their qualification characteristics and the aircraft constraints linked to their location (refer to the requirements of CS 25.1703 and CS 25.1707).

(ii) Use available information (digital mock-up, physical mock-up, aeroplane data, historical data) to perform inspections and analyses to validate that design and installation criteria are adequate to the zone/function, including considerations of multi-systems impact. Such inspections and analyses may include a 1st article inspection, design review, particular risk assessment, zonal safety assessment, zonal inspection, and common mode analysis, as applicable. Use such assessments and inspections to ascertain whether design and installation criteria were correctly applied. Special consideration should be given to known problem areas identified by service history and historical data (areas of arcing, smoke, loose clamps, chafing, arc tracking, interference with other systems, etc.). Regardless of probability, any single arcing failure should be assumed for any power-carrying wire. The intensity and consequence of the arc and its mitigation should be substantiated. Give special consideration to cases where new (previously unused) material or technologies are used. In any case CS 25.1703(b) requires that the selection of wires must take into account known characteristics in relation to each installation and application to minimise the risk of wire damage, including any arc tracking phenomena.

(iii) Deviations from installation and component selection criteria identified by these activities should be evaluated. A determination can then be made about their acceptability. Develop alternative mitigation strategies as necessary.

(3) *Boxes F and G: Development and validation of mitigation strategy.*

Identify and develop a mitigation strategy for the physical failures and their adverse effects identified in Boxes D and E. Validation and verification of the mitigation solution should ensure that:

(i) Hazardous failure conditions are extremely remote.

(ii) Catastrophic failure conditions do not result from a single common cause event or failure.

(iii) This mitigation solution does not introduce any new potential failure conditions.

CS-25 BOOK 2

- (4) *Box H*: Incorporation of applicable mitigation strategies.

Incorporate newly developed mitigation strategies (BOX F) into guidelines (BOX B) for further design and inspection and analysis processes.

- (5) *Box I*: Physical failure analysis results.

From the EWIS physical failure analysis, the following should be documented:

- Physical failures addressed.
- Effects of those physical failures.
- Mitigation strategies developed.

This information should be used to support the final analysis documentation (BOX P).

6 c. Analysis of Possible Functional Failures

- (1) *Box J*: System safety assessments.

The results of the aeroplane level FHA (BOX A) should be used to guide the system level FHA (BOX J). Incorporate EWIS failures identified by CS 25.1709 into the system level and aircraft level FHA, the PSSA, the Common Cause Analyses (CCA), and the SSA. These analyses are performed to satisfy requirements of CS 25.1309. Use results of these analyses to update the EWIS definition (BOX B).

- (2) *Boxes K, L and M*: Hazardous and catastrophic failure conditions.

Use the analyses in BOX J to determine if the EWIS associated with the system under analysis can contribute (in whole or in part) to the failure condition under study. Determine whether the EWIS failure needs to be mitigated. If so, develop, validate, and verify a mitigation strategy. If no mitigation is needed, complete the appropriate safety assessment per CS 25.1309, CS 25.671, etc.

- (3) *Boxes N and O*: Development and validation of mitigation strategy.

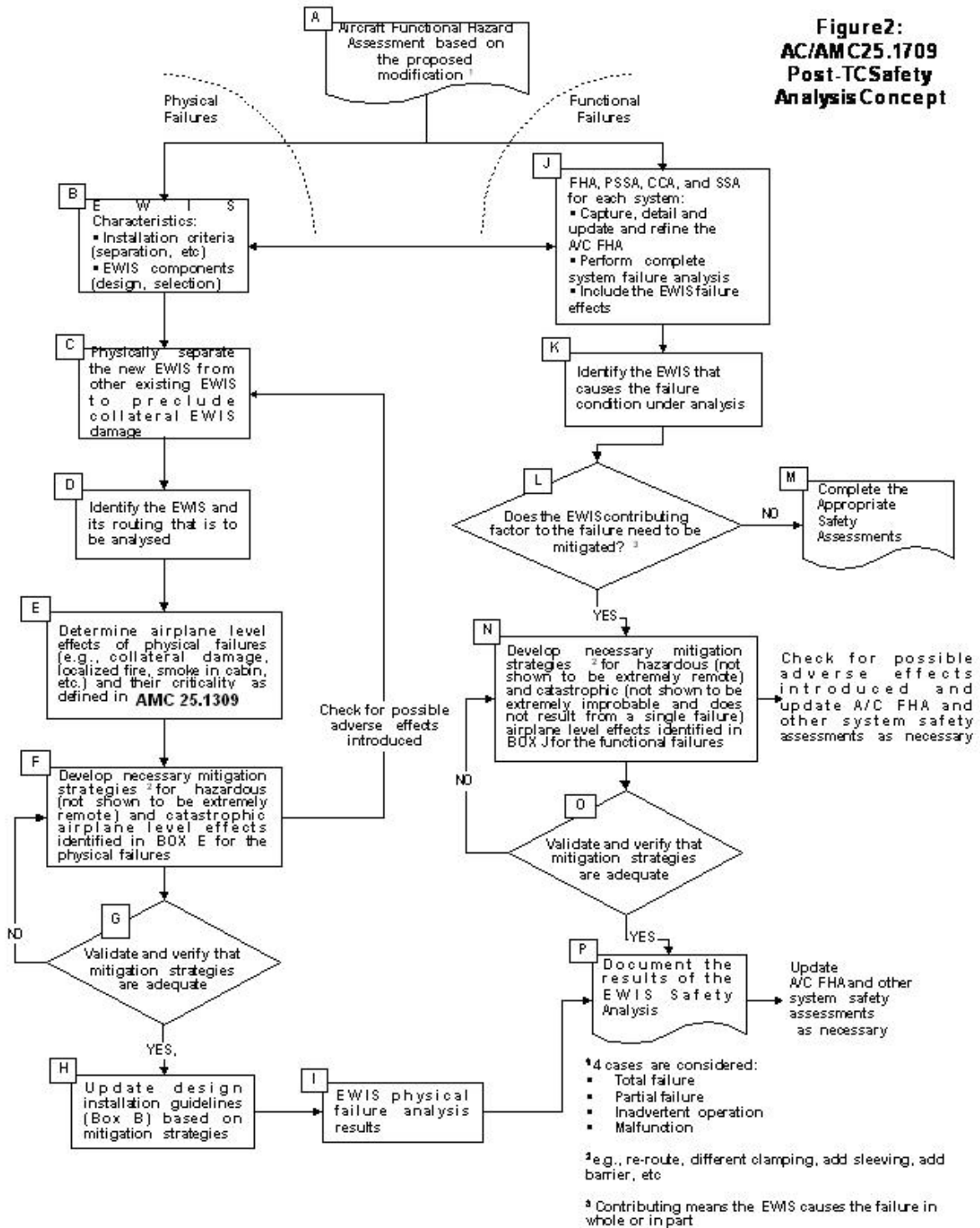
Identify and develop a mitigation strategy for the functional failures and adverse effects identified in BOX J. Validation and verification of the mitigation solution should determine if initial objective is fully reached; and confirm that this mitigation solution is compatible with existing installations and installation criteria. If the EWIS was the failure cause, the subsequent mitigation strategy developed may introduce new adverse effects not previously identified by the analysis. Check for any new adverse effects and update the aircraft level FHA and other system safety assessments as necessary.

- (4) *Box P*: Documentation of EWIS safety analysis results.

After mitigation strategies have been validated and verified, the results of the CS 25.1709 analysis should be documented. Update as necessary the aircraft level FHA that has been developed in support of certification of the proposed modification, in compliance with CS 25.1309 (BOX A).

CS-25 BOOK 2

Flowchart 2: Post-TC Safety Analysis Concept



Note: Mitigation as used in this flowchart means to eliminate the hazard entirely or minimise its severity to an acceptable level.

CS-25 BOOK 2

12 Descriptive text for flowchart 2.

a. Applicants for post-TC modifications should use the analysis depicted in Flowchart 2 when the applicant cannot identify the systems or systems functions contained in existing aircraft EWIS that maybe utilized as part of the modification. An applicant should not add EWIS to an existing EWIS if the systems or systems functions contained in the existing EWIS are unknown. To do so could introduce unacceptable hazards. For example, IFE power wires could inadvertently be routed with aeroplane autoland EWIS.

b. The main objectives are to ensure that the proposed modification will be correctly designed and installed and will not introduce unacceptable hazards either through its own failure or by adversely affecting existing aircraft systems. As far as EWIS is concerned, correct incorporation of the modification should be ensured by both good knowledge of original aircraft manufacturer installation practices and their correct implementation or by adequate separation of the added EWIS from existing EWIS. In either case, physical analyses should be performed (similar to the physical failures part of Flowchart 1).

c. *Box A: Aircraft functional hazard assessment.*

Aircraft level effects must be considered for modified systems or systems added to the aircraft. If the Aircraft level FHA is available, the applicant should examine it to determine the Aircraft level effect of the proposed modification. If the Aircraft level FHA is not available, then the applicant must generate an Aircraft level FHA based on the proposed modification. This Aircraft level FHA would be limited to just those Aircraft systems affected by the proposed modification. If it is determined that no Aircraft level functional effects are introduced, a statement to this effect and the supporting data is sufficient to satisfy BOX A.

d. Analysis of Possible Physical Failures

(1) *Box B: EWIS characteristics.*

Use results of the Aircraft level FHA (BOX A and BOX J) to identify EWIS installation criteria and definitions of component characteristics. Results of BOX B are fed into the PSSA and SSA of BOX J.

(2) *Box C: Physical separation of new EWIS from existing EWIS.*

(i) The EWIS to be added should be separated from existing aeroplane EWIS since the systems or system functions contained in the existing EWIS are unknown. Physical separation between the new and existing EWIS should be established either by separation distance or by an appropriate barrier or other means shown to be at least equivalent to the physical separation distance when allowed by CS 25.1707. Alternative methods given in the advisory material for CS 25.1707 provide an acceptable way to determine adequate separation.

(ii) In cases where separation cannot be maintained because of physical constraints (e.g., terminal strips and connectors), the applicant should accomplish the appropriate analysis to show that no adverse failure conditions result from sharing the common device. This analysis requires knowledge of the systems or system functions sharing the common device (e.g., terminal strips and connectors).

(3) *Box D and E: Validation and verification of installation criteria.*

(i) Ensure that the EWIS component qualification satisfies the design requirements and that components are selected, installed, and used according to their qualification characteristics and the aeroplane constraints linked to their location.

(ii) Use available information (digital mock-up, physical mock-up, aeroplane data, historical data) to perform inspections and analyses to validate that design and installation criteria are adequate to the zone/function, including considerations of multi-systems impact. Such inspections and analyses may include a 1st article inspection, design review, particular risk assessment, zonal safety assessment,

CS-25 BOOK 2

zonal inspection, and common mode analysis, as applicable. Use such assessments and inspections to ascertain whether design and installation criteria were correctly applied. Special consideration should be given to known problem areas identified by service history and historical data (areas of arcing, smoke, loose clamps, chafing, arc tracking, interference with other systems, etc.). Regardless of probability, any single arcing failure should be assumed for any power-carrying wire. The intensity and consequence of the arc and its mitigation should be substantiated. Special consideration should be given to cases where new (previously unused) material or technologies are used. Evaluate deviations from installation and component selection criteria identified by these activities and determine their acceptability.

(iii) Alternative mitigation strategies should be developed as necessary.

(4) *Boxes F and G*: Development and validation of mitigation strategy.

Identify and develop a mitigation strategy for the physical failures identified in BOXES D and E and resulting adverse effects. Validation and verification of a mitigation solution should ensure that:

(i) Hazardous failure conditions are extremely remote.

(ii) Catastrophic failure conditions do not result from a single common cause event or failure.

(iii) This mitigation solution does not introduce any new potential failure conditions.

(5) *Box H*: Incorporation of Applicable Mitigation Strategies.

Incorporate newly developed mitigation strategies (BOX F) into guidelines (BOX B) for further design and inspection and analysis process.

(6) *Box I*: Physical failure analysis documentation.

From the EWIS physical failure analysis, the following should be documented:

- Physical failures addressed.
- Effects of those physical failures.
- Mitigation strategies developed.

This information supports the final analysis documentation (BOX P).

e. Analysis of Possible Functional Failures

(1) *Box J*: System safety assessments.

Use the results of the aircraft level FHA (BOX A) to guide the system level FHA (BOX J). Incorporate EWIS failures identified by CS 25.1709 into the system level and aircraft level FHA, the PSSA, the CCA, and the SSA. These analyses are performed to satisfy requirements of CS 25.1309. Use results of these analyses to update the EWIS definition (BOX B).

(2) *Boxes K, L and M*: Hazardous and catastrophic failure conditions.

Use the analyses in BOX J to determine if the EWIS associated with the system under analysis can contribute (in whole or in part) to the failure condition under study. Determine whether the EWIS failure needs to be mitigated. If so, develop, validate, and verify a mitigation strategy. If no mitigation is needed, complete the appropriate safety assessment (e.g., per CS 25.1309, CS 25.671, etc.).

(3) *Boxes N and O*: Development and validation of mitigation strategy.

CS-25 BOOK 2

Identify and develop a mitigation strategy for the functional failures and adverse effects identified in BOX J. Validation and verification of the mitigation solution should determine if initial objective is fully reached and confirm that this mitigation solution is compatible with existing installations and installation criteria. If the EWIS was the failure cause, the subsequent mitigation strategy developed may introduce new adverse effects not previously identified by the analysis. Check for any new adverse effects and update the aircraft level FHA and other system safety assessments as necessary.

(4) *Box P:* Documentation of EWIS safety analysis results.

After mitigation strategies have been validated and verified, document the results of the CS 25.1709 analysis. Update as necessary the aircraft level FHA that has been developed in support of certification of the proposed modification, in compliance with CS 25.1309, (BOX A).

[Amdt. No.: 25/5]

AMC 25.1711**Component identification; EWIS**

1 Paragraph 25.1711 requires applicants to identify EWIS components using consistent methods that facilitate easy identification of the component, its function, and its design limitations. For EWIS associated with flight-essential functions where specific certification requirements are met by redundancy, identification of the EWIS must also include separation requirements. This paragraph requires that the identifying markings remain legible throughout the expected service life of the EWIS component, and that the method used to identify components have no adverse affect on their performance.

2 Subparagraph 25.1711(a) requires a consistent method in EWIS identification to avoid confusion and mistakes during aeroplane manufacturing, modification, and maintenance. Aeroplane manufacturers should develop an EWIS identification method that facilitates easy identification of the systems that any specific EWIS component supports and use that identification method in a consistent manner throughout the aeroplane. This consistent identification method must be used for new type certifications and changes to those designs.

3 Subparagraph 25.1711(b): Certain aeroplane systems are installed with redundancy in order to meet the reliability requirements of CS 25.1309 and 25.1709. For EWIS components associated with these systems, paragraph (b) requires specific identification indicating component part number, function, and separation requirement. This is necessary to prevent modifiers from unintentionally introducing unsafe design or installation features on previously certified aeroplanes when they install new or modified systems. Such identification will aid the designers and installers of the new system by alerting them to the presence of these systems It will allow them to make appropriate design and installation decisions. Component identification will also make those performing maintenance and inspections more aware of what systems are associated with specific EWIS in the areas undergoing maintenance or inspection.

4 Subparagraph 25.1711(c) requires that identifying markings required by CS 25.1711(a) and (b) remain legible throughout the design life of the component. As most wire installations are designed to remain on the aeroplane throughout the aeroplane's service life, this means the identification marks must be able to be read for the life of the aeroplane. The method of marking must take into account the environment in which the EWIS component will be installed. The Society of Automotive Engineers (SAE) documents ARP 5607, "Legibility of Print on Aerospace Wire and Cables," and AS 5942, "Marking of Electrical Insulating Materials," provides guidance on this subject.

5 Subparagraph 25.1711(d) requires that the means used to identify an EWIS component may not have an adverse effect on component performance throughout its design life.

a. Certain wire marking methods have potential to damage wire insulation. Hot-stamp marking is one such method. According to SAE (Society of Automotive Engineers) aerospace information report AIR5575, "Hot Stamp Wire Marking Concerns for Aerospace Vehicle Applications," the hot-stamp marking method is not well suited for today's generation of thin wall aircraft wiring. As noted in that

CS-25 BOOK 2

document, wire insulation has become markedly thinner over the years since the procedure was first introduced in the 1940s. Because of this, problems have arisen over wire damage from excessive penetration by the hot stamp process. The document further states: "The frequent need for adjustments in temperature, pressure, and dwell time inherent to achieving legible hot stamp wire marking provides many opportunities for error. The controls, methods, and guidance necessary to achieve satisfactory performance with hot stamp marking are often not made available to operators in smaller wire maintenance facilities." In addition it should be established from the wire manufacturer that hot stamp printing is or is not suitable for the particular wire.

b. If damage to the insulation occurs during the marking process, it may fail later in service after exposure to the sometimes-harsh environmental conditions of aircraft use. While CS 25.1711 does not prohibit use of hot-stamp marking, its use is discouraged. To comply with this paragraph, if the hot-stamp marking process is used, the guidelines of SAE recommended practice ARP5369, "Guidelines for Wire Identification Marking Using the Hot Stamp Process" or equivalent should be followed.

c. In some cases it may not be practicable to mark an EWIS component directly because of component size or identification requirements. In this case other methods of identification such as a label or sleeve should be used.

6 CS 25.1711(e) requires that EWIS modifications to the type design maintain consistency with the identification scheme of the original type design. It requires that EWIS modifications to the type design take into consideration the identification scheme of the original type design. This is to ensure that the consistency required by CS 25.1711(a) is maintained when a modification is installed. The intent of this requirement is to provide continuity for EWIS identification on a particular model. It is not the intent of the requirement to impose on the modifier the exact wire identification methods of the aeroplane manufacturer. However, since the purpose of CS 25.1711 is to make it easy to identify those aeroplane systems essential to the safe operation of the aeroplane, it is in the best interest of safety that designers of any modifications to the original design consider the approved type design identification methods. For example it would not be appropriate for a modifier to use purple wire to identify a specific flight critical system when the approved type design used the colour green, especially if the type design already uses purple wire to identify non-essential systems. Such a scheme could cause confusion and lead future modifiers or maintainers to believe that the routing of purple wires with green wires (and thus critical systems with non-essential systems) is acceptable. The paragraph does not prescribe a particular method for identification but is meant to ensure that consistent identification is maintained throughout the life of the aeroplane.

7 CS 25.981(d) states that "...Visible means of identifying critical features of the design must be placed in areas of the aeroplane where foreseeable maintenance, actions, repairs, or alterations may compromise the critical design configuration control limitations (e.g., colour-coding of wire to identify separation limitation). These visible means must also be identified as CDCCL." The design approval holder should define a method of ensuring that this essential information will:

- be communicated by statements in appropriate manuals, such as wiring diagram manuals, and
- be evident to those who may perform and approve such repairs and alterations.

An example of a critical design configuration control limitation that would result in a requirement for visible identification means would be a requirement to maintain wire separation between FQIS (fuel quantity indication system) wiring and other electrical circuits that could introduce unsafe levels of energy into the FQIS wires. Acceptable means of providing visible identification means for this limitation would include colour-coding of the wiring or, for retrofit, placement of identification tabs at specific intervals along the wiring.

8 Types of EWIS component identification.

There are at least four types of EWIS component identification, which are accomplished at different stages. They are listed and described below.

a. Component manufacturer part number.

EWIS components should be identified by their manufacturer in accordance with the International Organization for Standardization document ISO 2574, "Aircraft – Electrical Cables – Identification Marking,"

CS-25 BOOK 2

or similar specifications. This identification comprises product part number, manufacturer identification, and, when possible or specifically required, batch identification or year of manufacture.

This helps ensure:

- Identification and traceability of the component.
- Verification of compliance with the aircraft certification basis.
- Accuracy in manufacture, maintenance, quality control, storage and delivery.
- Verification of the use of approved/qualified sourcing.
- Monitoring of the aircraft configuration during the aircraft life.

(1) EWIS component manufacturer identification.

It is common practice to use the five-digit/letter C.A.G.E. code (Government and Commercial Entity Code), for manufacturer identification, particularly for wires. Alternatively, for small components whose size may make it difficult to use other forms of clear identification, a logo may be used.

(2) Identification intervals.

Wires and cables should be identified at intervals of not more than 38 cm (15 inches). This interval is different than the interval used by airframe manufacturers to prevent the possibility of two identifications overlapping over the entire length of the run, which could render both identifications illegible.

(3) Types of wire manufacturer markings.

Wire manufacturer markings should generally be green to differentiate them from the black marking typically used by the aeroplane manufacturer, but other contrasting colours are also acceptable. The preferred marking process is the "ink transfer" or "ink jet" type, with post curing to increase resistance to mechanical or chemical wear. As stated above, hot stamp marking method has the potential to damage wire insulation and its use is discouraged.-

(4) The component technical specification should include methods used for identification and legibility during the design life of the component.

b. Airframe manufacturer component function identification number.

In addition to the type identification imprinted by the original wire manufacturer, aircraft wire should also contain a unique circuit identification coding that is accomplished at time of harness assembly. This allows existing installed wire to be identified as to its performance capabilities when considering replacement. Inadvertent use of a lower performance and unsuitable replacement wire can thus be avoided. Identification of EWIS components by the airframe manufacturer helps ensure:

- Identification and inspection of cable runs.
- Accuracy of manufacture, maintenance, quality control, storage and delivery.
- Verification of the system to which the component belongs.
- Identification of components related to systems required for safe flight, landing, or egress or that have the potential to impact the flight crew's ability to cope with adverse operating conditions.

Identification of EWIS components should clearly correspond to aircraft wiring manuals.

c. Airframe manufacturer routing identification and modification.

Electrical drawings should describe wire routings through the entire aeroplane (for example: incompatibility between routes, minimum distance between routes, absolute ban of combining bundles) and be available in

CS-25 BOOK 2

the maintenance documentation as required by Appendix H to CS 25. This information ensures that modification designers and maintenance personnel are aware of the defined physical segregation of the different routes of the aircraft model they are working on. Coding for identification of routes or bundles used on aircraft should be displayed by adequate means such as labels, tags, placards, coloured ties, bar-codes. This type of component identification helps ensure:

- Identification and inspection of bundles.
- Accuracy of manufacture, maintenance, quality control, storage and delivery.
- Determination of the type of route, or route function, (feeder power, radio etc.).
- Clear identification of systems that require physical segregation (i.e. to detect the possible mix of different routes/bundles, the misrouting of a system in an area, etc).
- Identification of routes taken by systems that are required for safe flight, landing, egress, or have the potential to impact the ability of the flight crew to cope with adverse operating conditions.

(1) Means used for this identification should be appropriate for the component type. The identification process used should not cause degradation of the characteristics of any of the wire cables or other EWIS components in the harness.

(2) Modification and repairs identification, in a form that helps ensure the original aeroplane manufacturer's identification scheme, should be maintained throughout the service life of the aeroplane.

(3) Wires and cables should be identified at intervals of preferably not more than 46 cm (18 inches) and should not obscure the identification markings of the EWIS component manufacturer or airframe manufacturer component function identification number. This identification interval is different than the interval used by wire manufacturers to prevent the possibility of two identifications overlapping over the entire length of the run, which could render both identifications illegible. Also, exceptions can be made for short runs of wires or cables or when the majority of the wire or cable is installed in a manner that facilitates easy reading of the identification markings

d. Identification of user EWIS modification or repair – (operator's identification coding).

Repairs or modifications to EWIS should follow the identification guidance given in the above paragraphs for aeroplane manufacturers. This helps ensure that the original aeroplane manufacturer's identification scheme is not compromised by future modifications or repairs and is maintained throughout the service life of the aeroplane.

[Amdt. No.: 25/5]

[Amdt. No.: 25/9]

AMC 25.1713

Fire protection: EWIS

The intent of CS 25.1713 is to ensure that the EWIS does not fail in such a way as to propagate fire and produce hazardous quantities of smoke and toxic fumes.

1 Subparagraph 25.1713(a) requires that all EWIS components meet the applicable fire and smoke protection requirements of CS 25.831(c). After reasonably probable failures or malfunctions, EWIS components should not cause harmful or hazardous concentrations of gases or vapors in excess of the levels prescribed in CS 25.831(b)(1) and (2).

2 Subparagraph 25.1713(b) requires that EWIS components located in designated fire zones and are used during emergency procedures must be at least fire resistant. This requirement is intended to help ensure that emergency services on the aeroplane are available in the event of a fire. EWIS components in regions immediately behind firewalls and in engine pod attachment structures should be made of such materials and installed at such a distance from the firewall that they will not suffer damage that could hazard the aeroplane if the surface of the firewall adjacent to the fire is heated to 1100° C for 15 minutes.

3 Subparagraph 25.1713(c) requires that insulation on electrical wire and electrical cable installed

CS-25 BOOK 2

anywhere in the aeroplane be self-extinguishing when tested in accordance with the applicable portions of part I of Appendix F of CS 25.

In addition, to protect against propagation of a fire, EWIS components other than wire and cable should be designed using non-flammable and self-extinguishing materials as tested to meet the intent of Part I of Appendix F.

[Amdt. No.: 25/5]

AMC 25.1715**Electrical bonding and protection against static electricity: EWIS**

1 The build-up and subsequent discharge of static electricity has the potential to create hazardous conditions for both aeroplane systems and the aeroplane occupants. Static can cause physical injury, interfere with installed electrical/electronic equipment, and cause ignition of flammable vapours. All EWIS components used for bonding and protection against static electricity play a vital role in ensuring the integrity of the bonds.

2 CS 25.1715(a) requires that EWIS used for electrical bonding and protection against static electricity meet the requirements of CS 25.899. To minimise the hazardous effects of static discharge, EWIS components should be selected, designed, and installed so that the cross-sectional area of bonding paths used for primary and secondary bonding ensure that an appropriately low electrical impedance is obtained and maintained throughout the expected service life of the components. The maximum resistance for electrical bonds varies depending on the type of bond, e.g., ground stud, between connector shell and structure.

3 CS 25.1715(b) requires that EWIS components used for any electrical bonding purposes (not just those used for protection against static electricity) provide an adequate electrical return path under both normal and fault conditions. EWIS components should be selected, designed, and installed so that the cross-sectional area of bonding paths used for primary and secondary bonding paths ensure that appropriately low electrical impedance is obtained and maintained throughout the expected service life of the components.

[Amdt. No.: 25/5]

AMC 25.1717**Circuit protective devices: EWIS**

CS 25.1717 requires that all applicable EWIS components (for example wires, connector pins, terminal blocks, relays, splices) be compatible with the circuit protective devices required by CS 25.1357. This means that when selecting the EWIS components to be used for a specific application, care must be taken to ensure that the proper type and rating of the circuit protective device (e.g., circuit breaker) is selected so that the wire and cables are adequately protected from over-current situations.

[Amdt. No.: 25/5]

AMC 25.1719**Accessibility provisions: EWIS**

CS 25.1719 requires that means be provided to allow for inspection of EWIS and replacement of their components as necessary for continued airworthiness.

1 The intent of CS 25.1719 is to ensure that EWIS components are installed so that inspections, tests, repairs, and replacements can be undertaken with a minimum of aircraft disassembly. When adjacent structures and aircraft systems components must be removed to allow access to wire installations, new possibilities for contamination, chafing, and other types of damage are introduced.

2 As far as practicable, EWIS components should be installed so that inspections, tests, repair, and replacements can be done without undue disturbance to the EWIS installation or to surrounding aircraft systems. During the design phase, consider minimizing the amount of aircraft disassembly required to perform such tasks. For example, wiring inside conduit may incur damage from chafing against the sides of the conduit. If failure of wiring inside a conduit can lead to an unsafe condition, a

CS-25 BOOK 2

means should be provided for inspection of those wires. Inspection may be by testing or other means acceptable to the Agency and should be included in the maintenance requirements that are part of the Instructions for Continued Airworthiness.

[Amdt. No.: 25/5]

**AMC 25.1721
Protection of EWIS.**

1 The requirements of this paragraph are intended to prevent damage to EWIS by passengers, crew members, baggage or cargo handlers, or maintenance and service personnel. CS 25.1721(a) is applicable to EWIS located in cargo or baggage compartments, and CS 25.1721(b) and (c) apply to EWIS located elsewhere in the aeroplane.

2 CS 25.1721(a), specifies that EWIS cannot be located in cargo or baggage compartments if its damage or failure may affect safe operation unless it cannot be damaged by movement of cargo or baggage in the compartment, or its breakage or failure will not create a fire hazard. This means that any EWIS located in a cargo or baggage compartment must be protected against damage. EWIS in general and wiring in particular should be installed so the structure affords protection against its use as a handhold and damage from cargo. Wires and wire bundles should be routed or otherwise protected to minimise the potential for maintenance personnel stepping, walking, or climbing on them. Wire bundles should be routed along heavier structural members whenever possible. If the structure does not afford adequate protection, other protection means such as a mechanical guard should be provided. When EWIS is close to sharp metal edges, the edges should be protected to prevent chafing. Additionally, wires should not be routed between aircraft skin and fuel lines in the same plane.

3 Subparagraph 25.1721(b) requires that EWIS be designed and installed to minimise the risk of damage by movement of people in the aeroplane during all phases of flight, or during maintenance, and servicing. Some examples of areas of concern are the flight deck, passenger compartment, crew rest area, wheel wells, and wing leading and trailing edges.

a. Special consideration should be given to EWIS that are routed to, around, and on passenger seats. It should be protected so that passengers cannot damage it with their feet or access it with their hands.

b. EWIS located in the lavatories should not be readily accessible by passengers or aircraft cleaners. It should be designed and installed so that it cannot be damaged by the removal and replacement of items such as rubbish containers.

c. EWIS located in the galleys should not be readily accessible by cabin crew, aircraft cleaners, or passengers. EWIS should be designed and installed so that galley equipment, including galley carts, cannot come into contact with it and cause damage.

d. As with EWIS located in baggage and cargo compartments, EWIS in areas such as landing gear bays, the APU compartment, and electrical and electronic bays should be designed and installed to minimise potential for maintenance personnel stepping, walking, or climbing on them. Where the structure does not afford adequate protection, other protection such as a mechanical guard should be provided.

[Amdt. No.: 25/5]

**AMC 25.1723
Flammable fluid protection: EWIS**

CS 25.1723 requires that EWIS located in areas where flammable fluid or vapours might escape must be considered to be a potential ignition source. As a result, these EWIS components must meet the requirements of CS 25.863. CS 25.863 requires that efforts be made to minimise the probability of ignition of fluids and vapours, and the hazards if ignition does occur. See CS 25.1707 for the separation requirements between EWIS and flammable fluids.

EWIS components located in fuel vapour zones should be qualified as explosion proof, where appropriate,

CS-25 BOOK 2

in accordance with Section 9 of EUROCAE ED-14 / RTCA Document DO160 or other equivalent approved industry standard. The possibility of contamination with flammable fluids due to spillage during maintenance action should also be considered.

CS-25 BOOK 2

AMC – SUBPART J

AMC 25J901(c)(2)

Assembly of Components

The objectives of CS 25.671(b) should be satisfied with respect to APU systems, where the safety of the aeroplane could otherwise be jeopardised.

[Amdt. No.:25/1]

AMC 25J901(c)(4)

Electrical Bonding

Where the APU is not in direct electrical contact with its mounting the engine should be electrically connected to the main earth system by at least two removable primary conductors, one on each side of the APU.

[Amdt. No.:25/1]

AMC 25J943

APU Operating Characteristics

- 1 Compliance with CS 25J943 should be shown by design analysis and flight tests. The flight tests should include manoeuvre in which less than zero 'g' occurs for one continuous period of at least 5 seconds and a further manoeuvre with two periods of less than zero 'g' with a total time for these two periods of at least 5 seconds.
- 2 In the case of non-essential APUs, inadvertent shut-down due to negative accelerations is acceptable.

[Amdt. No.:25/1]

AMC 25J955(a)(2)(iii)

Fuel Flow

The word "blocked" should be interpreted to mean "with the moving parts fixed in the position for maximum pressure drop".

[Amdt. No.:25/1]

AMC 25J991

Fuel Pumps

If the fuel supply to the APU is taken from the fuel supply to the main engine, no separate pumps need be provided for the APU.

[Amdt. No.:25/1]

AMC 25J1041

General

The need for additional tests, if any, in hot climatic conditions should take account of any tests made by the APU constructor to establish APU performance and functioning characteristics and of satisfactory operating experience of similar power units installed in other types of aeroplane.

The maximum climatic conditions for which compliance will be established should be declared and this should not be less severe than the ICAO Intercontinental Maximum Standard Climate (37.8°C (100°F) at sea-level). If the tests are conducted under conditions which deviate from the maximum declared ambient temperature, the maximum temperature deviation should not normally exceed 13.9°C (25°F).

[Amdt. No.:25/1]

CS-25 BOOK 2**AMC 25J1093(b)**
Essential APU Air Intakes1 General.

Two ways of showing compliance with CS 25J1093(b) are given.

- 1.1 *Method 1.* Method 1 is an arbitrary empirical method based on United Kingdom and French practice. This method is acceptable to all participating countries.
- 1.2 *Method 2.* Method 2 is a general approach based on US practice in applying FAR Part 25, Appendix C. If this method is used, each application will have to be evaluated on its merits.

2 Method 1

- 2.1 In establishing compliance with the requirements of CS 25J1093(b), reference should be made to AMC 25.1419, paragraph 1.
- 2.2 The intake may be tested with the APU in accordance with the requirements of CS-APU 510 and the Advisory Material for the testing of APUs in Icing Conditions.
- 2.3 When the intake is assessed separately it should be shown that the effects of intake icing would not invalidate the icing tests of CS-APU. Factors to be considered in such evaluation are:
 - a. Distortion of the airflow and partial blockage of the intake.
 - b. The shedding into the APU of intake ice of a size greater than the APU is known to be able to ingest.
 - c. The icing of any APU sensing devices, other subsidiary intakes or equipment contained within the intake.
 - d. The time required to bring the protective system into full operation.
- 2.4 *Tests in Ice-forming Conditions.* An acceptable method of showing compliance with the requirements of CS 25J1093(b), including Appendix C, is given in this paragraph.
 - 2.4.1 When the tests are conducted in non-altitude conditions, the system power supply and the external aero-dynamic and atmospheric conditions should be so modified as to represent the required altitude conditions as closely as possible. The altitudes to be represented should be as indicated in Table 1 for simulated tests, or that appropriate to the desired temperature in flight tests, except that the test altitude need not exceed any limitations proposed for approval. The appropriate intake incidences or the most critical incidence, should be simulated.
 - 2.4.2 Two tests (which may be separated or combined) should be conducted at each temperature condition of Table 1, at or near the indicated altitude -
 - a) 30 minutes in the conditions of Table 1 column (a) appropriate to the temperature.
 - b) Three repetitions of 5 km in the conditions of Table 1, column (b), appropriate to the temperature followed by 5 km in clear air.

CS-25 BOOK 2

TABLE 1

Ambient air temperature (°C)	Altitude		Liquid water content (g/m ³)		Mean effective droplet diameter (µm)
	(ft)	(m)	(a)	(b)	
-10	17000	5182	0.6	2.2	20
-20	20000	6096	0.3	1.7	
-30	25000	7620	0.2	1.0	

2.4.3 At the conclusion of each of the tests of 2.4.2 the ice accretion should be such as not to adversely affect the subsequent running and functioning of the APU.

2.4.4 If the APU intake contains features or devices which could be affected by freezing fog conditions then in addition to the above tests of 2.4.2 a separate test on these parts or devices should be conducted for a duration of 30 minutes with the heat supply to the tested parts as would be available with the APU set to the minimum ground idle conditions approved for use in icing in an atmosphere of -2°C and a liquid water concentration of 0.3 g/m³. The mean effective droplet size for the test should be 20µm. At the end of the period the ice accretion on the tested part should not prevent its proper functioning nor should the ice be of such size as to hazard the APU if shed.

3 Method 2

- 3.1 In establishing compliance with the requirements of CS 25J1093(b), reference should be made to CS 25.1419 and AMC 25.1419.
- 3.2 The intake may be tested with the APU in accordance with a programme of tests which results from an analysis of the icing conditions and the APU conditions appropriate to the installation.
- 3.3 When the intake is assessed separately it should be shown that the effects of intake icing would not invalidate any APU certification tests. Factors to be considered in such evaluation are -
 - a. Distortion of the airflow and partial blockage of the intake.
 - b. The shedding into the APU of intake ice of a size greater than the APU is known to be able to ingest.
 - c. The icing of any APU sensing devices, other subsidiary intakes or equipment contained within the intake.
 - d. The time required to bring the protective system into full operation.
- 3.4 When tests are conducted in non-altitude conditions, the system power supply and the external aerodynamic and atmospheric conditions should be so modified as to represent the altitude condition as closely as possible. The appropriate intake incidences or the most critical incidence, should be simulated.
- 3.5 Following the analysis required in CS 25.1419(b), which will determine the critical icing conditions within the envelope of icing conditions defined by Appendix C Figures 1 to 3 and Appendix C Figures 4 to 6, tests should be conducted at such conditions as are required to demonstrate the adequacy of the design points.

CS-25 BOOK 2

- 3.6 At the conclusion of each of the tests the ice accretion should be such as not to adversely affect the subsequent running and functioning of the APU.
- 3.7 If the APU intake contains features or devices which could be affected by freezing fog conditions then a separate assessment for these parts should be conducted assuming a duration of 30 minutes and an atmosphere of -2°C and a liquid water concentration of 0.3 g/m³, with the heat supply to the part as would be available with the APU set to the minimum ground idle conditions approved for use in icing. The mean effective droplet size should be 20µm. At the end of the period the ice accretion on the part should not prevent its proper functioning, nor should the ice be of such size as to hazard the engine if shed.

[Amdt. No.:25/1]

AMC 25J1195(b) Fire Extinguisher Systems

Acceptable methods to establish the adequacy of the fire extinguisher system are laid down in FAA Advisory Circular 20 – 100 dated 21 September 1977.

[Amdt. No.:25/1]

CS-25 BOOK 2
AMC – APPENDICES

AMC to Appendix F, Part IV**Test Method to Determine the Heat Release Rate from Cabin Materials Exposed to Radiant Heat.***Appendix F, Part IV (b)(4) Air Distribution System.*

The air distribution is to be determined by the equipment design. The 3-to-1 ratio described in this paragraph is approximate. An external air distribution system which will deliver that ratio precisely is not permitted as a substitute for the air distributor plates.

Appendix F, Part IV (b)(6) Specimen Holders.

In order to accommodate specimens which distort and delaminate during testing, two 0.508 mm (0.020-inch) stainless steel wires should be used to secure the specimens to the holder during the testing.

These wires should be used with all specimens and are in addition to the drip pan that should be used for materials which are prone to melting and dripping.

Appendix F, Part IV (b)(8) Pilot-Flame Positions.

Various installations have experienced difficulties with the pilot burners being extinguished during the test.

The following revisions to the pilot burner configurations have been found to be acceptable:

(1) For the lower pilot burner – a sparking device which either sparks automatically at approximately ½ to 1 second intervals or is manually operated, which requires continuous monitoring of the pilot flame.

Note: This requires that the laboratory test procedure specifies that the technician must continuously monitor the pilot for each test and that failure to do so will invalidate the test results.

(2) For the upper pilot burner – a manual or automatic sparking device or a revision to the hole system in the burner. One approved deviation utilises 14 holes using a number 59 drill bit.

Appendix F, Part IV (c)(1) Heat Release Rate.

The use of a flowmeter is not acceptable.

The thermopile voltage should be measured for 10 seconds and then averaged.

Appendix F, Part IV (e) Procedure.

The outer door should be closed between tests to maintain the heat within the chamber. It is recommended that the outer door be hinged to facilitate implementing this recommendation. If a detachable door is used, a separate door should be installed during sample holder preparation and installation. This recommendation is based on the 40-seconds holding time (60 seconds less 20 seconds of data acquisition time) required in (e)(4), being insufficient to allow the chamber to reach equilibrium, if the outer door is open for too long between tests.

Appendix F, Part IV (f) Calculations.

It has been found that a typical range for the calibration factor is 8 to 15. If a calibration factor is calculated which falls outside this range, the calculation should be reviewed.

If the factor continues to fall outside this range, the Agency should be contacted.

CS-25 BOOK 2**AMC to Appendix H, H25.4(a)(3)****Mandatory replacement time of EWIS components as defined in CS 25.1701**

In accordance with subparagraph H 25.4(a)(3) applicants are required to include in the Airworthiness Limitations section of the Instructions for Continued Airworthiness any mandatory replacement times for EWIS components. EWIS components are those defined by CS 25.1701. Generally, EWIS components are designed and selected to last for the service life of the aeroplane. Any EWIS component that must be replaced at regular intervals to maintain the airworthiness of the associated system or aeroplane must be specified, with its required replacement interval, in the Airworthiness Limitations section of the ICA.

AMC to Appendix H, H25.5**Instructions for Continued Airworthiness applicable to EWIS.**

In accordance with subparagraph H 25.5 the applicant must prepare Instructions for Continued Airworthiness (ICA) applicable to EWIS as defined by 25.1701 that should include the following:

- 1 Maintenance and inspection requirements for the EWIS developed with the use of an enhanced zonal analysis procedure (EZAP) that includes:
 - a. Identification of each zone of the aeroplane.
 - b. Identification of each zone that contains EWIS.
 - c. Identification of each zone containing EWIS that also contains combustible materials.
 - d. Identification of each zone in which EWIS is in close proximity to both primary and back-up hydraulic, mechanical, or electrical flight controls and lines.
 - e. Identification of –
 - Tasks, and the intervals for performing those tasks, that will reduce the likelihood of ignition sources and accumulation of combustible material, and
 - Procedures, and the intervals for performing those procedures, that will effectively clean the EWIS components of combustible material if there is not an effective task to reduce the likelihood of combustible material accumulation.
 - f. Instructions for protections and caution information that will minimize contamination and accidental damage to EWIS, as applicable, during the performance of maintenance, alteration, or repairs.
- 2 Acceptable EWIS maintenance practices in a standard format:

Applicants should document EWIS maintenance practices in a standard format. This is typically accomplished with publication of a standard wiring practices manual (SWPM). The rule is not intended to require that every manufacturer's SWPM is identical. The intent is to enable people performing EWIS maintenance and repairs to find information in the SWPM more quickly and easily, regardless of what aeroplane model they are currently working on. Standard wiring practices include procedures and practices for the installation, repair, and removal of EWIS components, including information about wire splices, methods of bundle attachment, connectors and electrical terminal connections, bonding, and grounding. A SWPM is not a design manual, and designers of EWIS modifications for specific aeroplane models should not use it as such. But it does provide the designer with insight into the types of EWIS components used by the TC holder and the procedures recommended by the manufacturer for maintenance or repair that supports continued airworthiness of the components. AMC 20-23 "Development of Standard Wiring Practices Documentation," provides guidance on how to comply.

- 3 Wire separation requirements as determined under 25.1707:

Applicants should include EWIS separation requirements in the ICA. EWIS separation guidelines are important for maintaining the safe operation of the aeroplane. Maintenance personnel need to be aware of the type certificate holder's separation requirements so they do not compromise separation in previously certified systems.

Determination of EWIS separation requirements is required by 25.1707. To comply with H25.5, the applicant should develop a way to convey these separation requirements and place them in the ICA. For example, if an aeroplane has a fly-by-wire flight control system and a minimum of 2 inches of

CS-25 BOOK 2

physical separation is needed between the EWIS associated with the flight control system and other EWIS, this information should be available in the ICA.

Similarly, the separation of certain wires in fuel tank systems may be critical design configuration control items and therefore qualify as an airworthiness limitation. Maintenance personnel need these guidelines and limitations because many times wire bundles must be moved or removed to perform maintenance.

The separation data included in the ICA can take many forms. If a particular aeroplane model has fly-by-wire flight controls, the manufacturer may designate the EWIS associated with the flight control systems by a certain identification scheme (as required by 25.1711), and in the ICA state that EWIS so designated must be maintained with XX amount of separation from all other EWIS and YY amount of separation from other aeroplane systems and structure. The manufacturer can then repeat this information for other EWIS associated with other aeroplane systems. The ICA could indicate how EWIS associated with IFE and other passenger convenience systems is identified, and that this EWIS must be maintained XX inches from other categories of EWIS or structure.

It is not the intent of the regulation to require a type design holder or an applicant to divulge proprietary information in order to comply. Certain information, however, needs to be made available to modifiers and maintainers to ensure that future modifications and repairs do not invalidate previously certified designs.

4 Information explaining the EWIS identification method and requirements for identifying any changes to EWIS under CS 25.1711. This paragraph requires that the ICA contain information explaining the EWIS identification method and requirements for identifying any changes to EWIS. This requirement is intended to ensure that future modifications that add EWIS, identify the added EWIS with the same type of identification scheme used by the original aeroplane manufacturer. This information will help modification designers and modification personnel avoid improper modification and repair of existing EWIS or improper installation of new EWIS. These personnel need to review the applicable standard wiring practices, EWIS identification requirements, and electrical load data for the aeroplane they are modifying.

5 Electrical load data and instructions for updating that data. The ICA should contain electrical load data and instructions for updating that data. Electrical load data and the instructions for updating that data are necessary to help ensure that future modifications or additions of equipment that consume electrical power do not exceed the generating capacity of the onboard electrical generation and distribution system. Maintaining a record of actual airplane electrical loads is important to ensure that modifications to the original design do not impose electrical loads on the electrical generating system in excess of the system's capability to provide the necessary power and maintain necessary margins. To comply with the requirements of this paragraph applicants need to provide:

- a. Electrical generating capacity of each source of normal electrical power generation.
- b. Electrical generating capacity of each source of emergency power generation.
- c. Electrical load capacity of each of electrical bus.
- d. Actual electrical loading of each electrical bus.

6 The ICA must be in the form of a document appropriate for the information to be provided, and they must be easily recognizable as EWIS ICA.

CS-25 BOOK 2**AMC to Appendix N - Fuel Tank Flammability Exposure****AMC to Appendix N, N25.1(a)****Fuel tank flammability assessment method**

The Monte-Carlo program as well as the method and procedures set forth in FAA document, "Fuel Tank Flammability Assessment Method Users Manual" DOT/FAA/AR-05/8 dated May 2008 (or the latest existing revision on the condition that it is accepted by EASA), is an acceptable means of compliance to conduct the flammability assessment specified in Appendix N25.1(a). A copy may be obtained from the Office of the Federal Register, 800 North Capitol Street, N.W., Suite 700, Washington, D.C. The following definitions, input variables, and data tables that are used in the program to determine fleet average flammability exposure for a specific aeroplane model are the ones included into paragraph N25.2 Definitions and N25.4 Variables and data tables.

[Amdt. No.: 25/6]

AMC to Appendix N, N25.1(b)**Qualitative fuel tank flammability assessment**

- (a) A conventional unheated aluminium wing tank is a conventional aluminium structure, integral tank of a subsonic transport aeroplane wing, with minimal heating from aeroplane systems or other fuel tanks and cooled by ambient airflow during flight. Heat sources that have the potential for significantly increasing the flammability exposure of a fuel tank would preclude the tank from being considered "unheated." Examples of such heat sources that may have this effect are heat exchangers, adjacent heated fuel tanks, transfer of fuel from a warmer tank, and adjacent air conditioning equipment. Thermal anti-ice systems and thermal anti-ice blankets typically do not significantly increase flammability of fuel tanks. For these tanks, a qualitative assessment showing equivalency to the unheated aluminium wing fuel tank may be acceptable when considered with the following:

1 A description of the aeroplane configuration, (including subsonic, wing construction, etc.),

2 A listing of any heat sources in or adjacent to the fuel tank,

3 The type of fuel approved for the aeroplane,

4 The tank operating pressure relative to ambient static pressure,

5 The tank is uninsulated and made of aluminium, and

6 The tank has a large aerodynamic surface area exposed to outside air to transfer heat from the tank.

- (b) Fuel tanks with an aerodynamic surface area to volume ratio (surface area/volume) greater than 1.0 have been shown to meet these criteria. Fuel tanks with a ratio less than 1.0 are not considered conventional unheated aluminium wing tanks. The aerodynamic surface area includes the area of the integral aluminium wing fuel tank that is exposed to outside air. It does not include any portion of a fuel tank that is shielded from free stream airflow, such as the front and rear spar, or an area under a fairing or wing thermal blanket.

[Amdt. No.: 25/6]

AMC to Appendix Q,**(SAL) 25.5 Safe operational and flight characteristics**

- (a) For the approach demonstrations required by (SAL) 25.5(a), due account should be taken of:
- (1) The systems' aspects of the power/thrust levers being at idle (e.g. arming of ground lift dump);
 - (2) The most adverse flight idle power/thrust (e.g. effects of engine bleeds or FADEC idle power/thrust control); and

CS-25 BOOK 2

- (3) The effects on controllability from the use of auxiliary drag devices such as flight spoilers (e.g. increased stall warning and stall speeds, loss of manoeuvrability).
- (b) For the flare, touchdown and landing demonstrations required by (SAL) 25.5(a), there should not be any occurrence of:
 - (1) Stall warning;
 - (2) Tail strike; or
 - (3) Any other characteristic that would interfere with the completion of the landing (e.g. automatic thrust increase).
- (c) For the go-around demonstrations required by (SAL) 25.5(e) and (i), due account should be taken of time delays associated with automatic or manual retraction of auxiliary drag devices.

[Amdt No: 25/2013]

**GENERAL
ACCEPTABLE MEANS OF COMPLIANCE – AMC**

AMC 25-11**Electronic Flight Deck Displays**

Content

Chapter 1. Background

1. What is the Purpose of this AMC?
2. Who Does this AMC Apply to?
3. [RESERVED]
4. General
 - Table 1 – Topics covered by this AMC
 - Table 2 – Topics outside of this AMC
5. Definitions of Terms Used in this AMC
6. Background
7. – 10. [RESERVED]

Chapter 2. Electronic Display System Overview

11. General
 - a. Design Philosophy
 - b. Human Performance Considerations
 - c. Addressing Intended Function in the Certification Programme
12. – 15. [RESERVED]

Chapter 3. Electronic Display Hardware

16. Display Hardware Characteristics
 - a. Visual Display Characteristics
 - b. Installation
 - c. Power Bus Transient
17. – 20. [RESERVED]

Chapter 4. Safety Aspects of Electronic Display Systems

21. General
 - a. Identification of Failure Conditions

- b. Effects of Display Failure Conditions
- c. Mitigation of Failure Conditions
- d. Validation of the Classification of Failure Conditions and Their Effects
- e. System Safety Guidelines

Table 3 – Example Safety Objectives for Attitude Failure Conditions

Table 4 – Example Safety Objectives for Airspeed Failure Conditions

Table 5 – Example Safety Objectives for Barometric Altitude Failure Conditions

Table 6 – Example Safety Objectives for Heading Failure Conditions

Table 7 – Example Safety Objectives for Certain Navigation and Communication Failure Conditions

Table 8 – Example Safety Objectives for Failure Conditions of Other Parameters

Table 9 – Example Safety Objectives for Engine Failure Conditions

Table 10 – Failure Conditions for Display Systems Used as Controls

22. – 30. [RESERVED]

Chapter 5. Electronic Display Information Elements and Features

31. Display Information Elements and Features

- a. General
- b. Consistency
- c. Display Information Elements
 - (1) Text
 - (2) Labels
 - (3) Symbols
 - (4) Indications
 - (a) Numeric Readouts
 - (b) Scales, Dials, and Tapes
 - (c) Other Graphical Depictions
 - (5) Colour Coding
 - Table 11 – Recommended Colours for Certain Functions
 - Table 12 – Specified Colours for Certain Display Features
- d. Dynamic (Graphic) Information Elements on a Display
- e. Sharing Information on a Display

- (1) Overlays and Combined Information Elements
 - (2) Time Sharing
 - (3) Separating Information Visually
 - (4) Clutter and De-Clutter
 - f. Annunciations and Indications
 - (1) General
 - (2) Location
 - (3) Managing Messages and Prompts
 - (4) Blinking
 - g. Use of Imaging
32. – 35. [RESERVED]

Chapter 6. Organising Electronic Display Information Elements

36. Organising Information Elements
- a. General
 - b. Types and Arrangement of Display Information
 - (1) Placement - General Information
 - (2) Placement - Controls and Indications
 - (3) Arrangement - Basic T Information
 - (4) Arrangement - Powerplant Information
 - (5) Arrangement - Other Information (For Example, Glideslope and Multi-Function Displays)
 - c. Managing Display Information
 - (1) Window
 - (2) Menu
 - (3) Full-Time vs. Part-Time Display of Information
 - d. Managing Display Configuration
 - (1) Normal Conditions
 - (2) System Failure Conditions (Reconfiguration)
 - e. Methods of Reconfiguration
 - (1) Compacted Format
 - (2) Sensor Selection and Annunciation
37. – 40. [RESERVED]

Chapter 7. Electronic Display System Control Devices

41. General
- a. Multi-function Control Labels

- b. Multi-function Controls
 - (1) “Hard” Controls
 - (2) “Soft” Controls
 - c. Cursor Control Devices
 - d. Cursor Displays
42. – 45. [RESERVED]

Chapter 8. Showing Compliance for Approval of Electronic Display Systems

46. Compliance Considerations (Test and Compliance)
- a. General
 - b. Means of Compliance
47. – 50. [RESERVED]

Chapter 9. Continued Airworthiness and Maintenance

51. Continued Airworthiness and Maintenance
- a. General
 - b. Design for Maintainability
 - c. Maintenance of Display Characteristics
52. – 60. [RESERVED]

List of Appendices

1	Primary Flight Information	A1-1
	1.1 Attitude	A1-1
	1.2 Continued Function of Primary Flight Information (Including Standby) in Conditions of Unusual Attitudes or in Rapid Manoeuvres	A1-1
	2.1 Airspeed and Altitude	A1-2
	2.2 Airspeed and Altitude for HUD	A1-3
	2.3 Low and High Speed Awareness Cues	A1-4
	3. Vertical Speed	A1-6
	4. Flight Path Vector or Symbol	A1-6
2	Powerplant Displays	A2-1
	1. General	A2-1
	2. Design Guidelines	A2-2

3	Definitions	A3-1
	Figure A3-1 Primary Field of View	A3-9
	Figure A3-2 Display Format	A3-11
4	Acronyms Used in This AMC	A4-1

CHAPTER 1

BACKGROUND

1. What is the purpose of this AMC?

This AMC provides an acceptable means of compliance for demonstrating compliance with certain certification specifications of CS-25, as well as general guidance for the design, installation, integration, and approval of electronic flight deck displays, components, and systems installed in large aeroplanes.

2. Who does this AMC apply to?

- a. The acceptable means of compliance and guidance provided in this document is directed to aeroplane and avionics manufacturers, modifiers, and operators of large aeroplanes.
- b. This material describes acceptable means, but not the only means, for demonstrating compliance with the applicable certification specifications. The Agency will consider other methods of demonstrating compliance that an applicant may elect to present. While these guidelines are not mandatory, they are derived from extensive Agency and industry experience in determining compliance with the relevant certification specifications. Applicants for a European Technical Standard Order (ETSO) approval should consider following this AMC when the ETSO does not provide adequate or appropriate specifications.

3. [RESERVED]

4. General

This AMC applies to the design, integration, installation, and certification approval of electronic flight deck displays, components, and systems for large aeroplanes. As a minimum this includes:

- General airworthiness considerations,
- Display system and component characteristics,
- Safety and criticality aspects,
- Functional characteristics,
- Display information characteristics,
- Guidance to manage display information,
- Flight crew interface and interactivity, and
- Airworthiness approval (means of compliance) considerations.

Table 1, below, lists the topics included in this AMC. Table 2, below, lists the topics not included in this AMC.

Table 1: Topics Covered in this AMC

Topics
Electronic pilot displays – including single function and multi-function displays.
Display features and functions that are intended for use by the pilot.
Display functions not intended for use by the pilot if they may interfere with the pilot's flying duties.
Display aspects of Class III Electronic Flight Bag (installed equipment).
Controls associated with the electronic displays covered in this AC. These controls include hard controls (physical buttons and knobs) and soft controls (virtual or programmable buttons and knobs, generally controlled through a cursor device or line select keys).
Electronic standby displays.
Head Up Displays (HUDs).

Table 2: Topics Outside this AMC

Topics
Display functions not intended for use by the pilot.
In flight entertainment displays.
Flight attendant displays.
Maintenance terminals, even if they are in the flight deck, but not intended for use by the pilots.
Head mounted displays used by pilots.
Displays in the flight crew rest area.
Handheld or laptop items (not installed equipment).
Class I and Class II Electronic Flight Bags.
Electromechanical instruments.
Auditory "displays" (for example, aural alerts), and tactile "displays" (for example, stick shaker).
Flight controls, throttles, and other (hard) controls not directly associated with the electronic displays.

In addition to this AMC, new AMC 25.1302 published in CS-25 Amendment 3, provides acceptable means of compliance with certification specifications associated with the design of flight crew interfaces such as displays, indications, and controls. AMC 25.1322 provides a means of compliance for flight crew alerting systems. The combination of these AMCs is intended to embody a variety of design characteristics and

human-centred design techniques that have wide acceptance, are relevant, and can be reasonably applied to large aeroplane certification projects.

Other advisory material is used to establish guidance for specific functionality and characteristics provided by electronic displays. This AMC is not intended to replace or conflict with these existing AMCs but rather provides a top-level view of flight deck displays. Conflicts between this AMC and other advisory material will be resolved on a case-by-case basis in agreement with the Agency.

5. Definitions of Terms Used in this AMC

- a. For the purposes of this AMC, a “display system” includes not only the display hardware and software components but the entire set of avionic devices implemented to display information to the flight crew. Hardware and software components of other systems that affect displays, display functions, or display controls should take into account the display aspects of this AMC. For example, this AMC would be applicable to a display used when setting the barometric correction for the altimeter, even though the barometric set function may be part of another system.
- b. For the purposes of this AMC, “foreseeable conditions” means the full environment in which the display or the display system is assumed to operate, given its intended function. This includes operating in normal, non-normal, and emergency conditions.
- c. Definitions of technical terms used in this AMC can be found in Appendix 3 of this AMC. The acronyms used throughout this document are included in Appendix 4 of this AMC.

6. Background

- a. Electronic displays can present unique opportunities and challenges to the design and certification process. In many cases, showing compliance with certification specifications related to the latest flight deck display system capabilities has been subject to a great deal of interpretation by applicants and the Agency. At the time the first electronic displays were developed, they were direct replacements for the conventional electromechanical components. The initial release of AMC 25-11 established an acceptable means of compliance for the approval of cathode ray tube (CRT) based electronic display systems used for guidance, control, or decision-making by the flight crews of large aeroplanes. This initial release was appropriate for CRTs, but additional specifications were needed to update AMC 25-11 to address new technologies.
- b. The FAA and EASA have established a number of specifications intended to improve aviation safety by requiring that the flight deck design have certain capabilities and characteristics. The approval of flight deck displays and display systems has typically been addressed by invoking many specifications that are specific to certain systems, or to specifications with general applicability such as CS 25.1301(a), CS 25.771(a), and CS 25.1523. Thus, this AMC provides acceptable means of compliance and guidance related to these and other applicable airworthiness specifications.

7. - 10. [RESERVED]

CHAPTER 2

ELECTRONIC DISPLAY SYSTEM OVERVIEW

11. General

The following paragraphs provide acceptable means of compliance and guidance that applies to the overall electronic display system. This chapter, together with Chapters 3 through 7 of this AMC, provides compliance objectives and design guidance. Chapter 8 provides general guidance on how to show compliance for approval of electronic display systems. The material in Chapters 2 through 9 and Appendices

1 and 2 of this AMC constitutes an overall method of compliance for the approval of an electronic display system.

a. Design Philosophy

The applicant should establish, document, and follow a design philosophy for the display system that supports the intended functions (CS 25.1301). The documented design philosophy may be included as part of a system description, certification programme, or other document that is submitted to the Agency during a certification project. The design philosophy should include a high level description of:

- (1) General philosophy of information presentation – for example, is a “quiet, dark” flight deck philosophy used or is some other approach used?
- (2) Colour philosophy on the electronic displays – the meaning and intended interpretation of different colours – for example, does magenta always represent a constraint?
- (3) Information management philosophy – for example, when should the pilot take an action to retrieve information or is it brought up automatically? What is the intended interpretation of the location of the information?
- (4) Interactivity philosophy - for example, when and why is pilot confirmation of actions requested? When is feedback provided?
- (5) Redundancy management philosophy – for example, how are single and multiple display failures accommodated? How are power supply and data bus failures accommodated?

b. Human Performance Considerations

The applicant should establish and document the following human performance elements when developing a display system:

- Flight crew workload during normal and non-normal operations, including emergencies,
- Flight crew training time to become sufficiently familiar with using the display, and
- The potential for flight crew error.

A high workload or excessive training time may indicate a display design that is difficult to use, requires excessive concentration, or may be prone to flight crew errors. Compliance considerations are included in Chapter 8 of this AMC.

c. Addressing Intended Function in the Certification Programme

The certification programme should identify the appropriate CS-25 certification specifications. An important part of the certification programme will be the system description(s) and all intended functions, including attitude, altitude, airspeed, engine parameters, horizontal situation display, etc. To demonstrate compliance with CS 25.1301(a), an applicant must show that the design is appropriate for its intended function. The applicant’s description of intended function needs to be sufficiently specific and detailed for the Agency to be able to evaluate that the system is appropriate to its intended function. (CS 25.1302 and associated AMC provide additional information on intended function). General and/or ambiguous intended function descriptions are not acceptable (for example, a function described only as “situation awareness”). Some displays may be intended to be used for situation awareness, but that term needs to be clarified or qualified to explain what type of specific situation awareness will be provided. More detailed descriptions may be warranted for designs that are new, novel, highly integrated, or complex. Many modern displays have multiple functions and applicants should describe each intended function. A system description is one place to document the intended function(s).

Display systems and display components that are not intended for use by the flight crew (such as maintenance displays) should not interfere with the flying duties of the flight crew.

12. – 15. [RESERVED]

CHAPTER 3 ELECTRONIC DISPLAY HARDWARE

16. Display Hardware Characteristics

The following paragraphs provide general guidance and a means of compliance for electronic display hardware with respect to its basic visual, installation, and power bus transient handling characteristics. A more detailed set of display hardware characteristics can be found in the following SAE International (formerly the Society of Automotive Engineers) documents:

- For electronic displays – SAE Aerospace Standards (AS) 8034A, “Minimum Performance Standard for Airborne Multipurpose Electronic Displays”.
- For head up displays - SAE AS8055, “Minimum Performance Standard for Airborne Head Up Display (HUD)”.
- For liquid crystal displays (LCDs) – SAE Aerospace Recommended Practice (ARP) 4256A, “Design Objectives for Liquid Crystal Displays for Part 25 (Transport) Aircraft”.

NOTE 1: *For LCDs, the quantitative criterion in SAE ARP 4256A, paragraph 4.2.6., equation 5, is not considered a reliable predictor of acceptable specular reflectivity characteristics. Accordingly, this aspect of LCD performance should be specifically assessed via flight crew evaluation to establish that there are not internal or external reflections that can result in flight crew distraction or erroneous interpretation of displayed information.*

NOTE 2: *With regard to the criteria for malfunction indication in SAE ARP 4256A, paragraph 3.4, the Agency has determined that showing the fonts and symbols to be tolerant to the loss of a single column, line, or element is an acceptable alternative to providing a malfunction indication. Proposed designs that do not use fonts and symbols that are tolerant to these faults are acceptable if they meet the criteria in SAE ARP 4256A.*

NOTE 3: *The applicant should notify the Agency if any visual display characteristics do not meet the guidelines in the applicable SAE documents.*

NOTE 4: *The most recent revision of the referenced SAE documents should be considered. If there is a conflict between the guidance in an SAE document and AMC 25-11, follow the guidance in AMC 25-11.*

a. Visual Display Characteristics

The visual display characteristics of a flight deck display are directly linked to their optical characteristics. Display defects (for example, element defects or stroke tails) should not impair readability of the display or create erroneous interpretation. In addition to the information elements and features identified in Chapter 5 of this AMC, and the visual characteristics in SAE ARP 4256A, SAE AS 8034A, and SAE AS 8055, described above, the display should meet the criteria for the following characteristics. These characteristics are independent of the proposed display technology.

- (1) **Physical Display Size.** A display should be large enough to present information in a form that is usable (for example, readable or identifiable) to the flight crew from the flight crew station in all foreseeable conditions, relative to the operational and lighting environment and in accordance with its intended function(s).
- (2) **Resolution and Line Width.** The resolution and minimum line width should be sufficient to support all the displayed images such that the displayed information is visible and understandable without misinterpretation from the flight crew station in all foreseeable conditions, relative to the

operational and lighting environment.

(3) Luminance. Information should be readable over a wide range of ambient illumination under all foreseeable conditions relative to the operating environment, including but not limited to:

- Direct sunlight on the display,
 - Sunlight through a front window illuminating white shirts (reflections),
 - Sun above the forward horizon and above a cloud deck in a flight crew member's eyes, and
 - Night and/or dark environment.
- (a) For low ambient conditions, the display should be dimmable to levels allowing for the flight crew's adaptation to the dark, such that outside vision and an acceptable presentation are maintained.
- (b) Automatic luminance adjustment systems can be employed to decrease pilot workload and increase display life. Operation of these systems should be satisfactory over a wide range of ambient light conditions, including the extreme cases of a forward low sun and a quartering rearward sun shining directly on the display.
1. Some manual adjustment should be retained to provide for normal and non-normal operating differences so that the luminance variation is not distracting and does not interfere with the flight crew's ability to perform their tasks.
 2. Displays or layers of displays with uniformly filled areas conveying information such as weather radar imagery should be independently adjustable in luminance from overlaid symbology. The range of luminance control should allow detection of colour differences between adjacent small filled areas no larger than 5 milliradians in principal dimension; while at this setting, overlying map symbology, if present, should be discernible.
- (c) Display luminance variation within the entire flight deck should be minimised so that displayed symbols, lines, or characters of equal luminance remain uniform under any luminance setting and under all foreseeable operating conditions.

(4) Contrast Ratio

- (a) The display's contrast ratio should be sufficient to ensure that the information is discernable under the whole ambient illumination range from the flight crew station under all foreseeable conditions relative to the operating environment.
- (b) The contrast between all symbols, characters, lines, and their associated backgrounds should be sufficient to preclude confusion or ambiguity of any necessary information.

(5) Chromaticity

- (a) The display chromaticity differences, in conjunction with luminance differences, should be sufficient to allow graphic symbols to be discriminated from each other, from their backgrounds (for example, external scene or image background) and background shaded areas, from the flight crew station, in all foreseeable conditions relative to the lighting environment. Raster or video fields (for example, non-vector graphics such as weather radar) should allow the image to be discriminated from overlaid symbols, and should allow the desired graphic symbols to be displayed. See SAE AS 8034A, sections 4.3.3 and 4.3.4, for additional guidance.
- (b) The display should provide chromaticity stability over the foreseeable conditions relative to the range of operating temperatures, viewing envelope, image dynamics, and dimming range, such that the symbology is understandable and is not misleading, distracting, or confusing.

(6) Grey Scale

- (a) The number of shades of gray and the difference between shades of gray that the display can provide should be adequate for all image content and its use, and should accommodate all viewing conditions.

- (b) The display should provide sufficient gray scale stability over the foreseeable range of operating temperatures, viewing envelope, and dimming range, such that the symbology is understandable and is not misleading, distracting, or confusing.
- (7) **Display Response.** The dynamic response of the display should be sufficient to present discernable and readable information that is not misleading, distracting, or confusing. The response time should be sufficient to ensure dynamic stability of colours, line widths, gray scale, and relative positioning of symbols. Undesirable display characteristics, such as smearing of moving images and loss of luminance, should be minimised so that information is still readable and identifiable under all foreseeable conditions, not distracting, and does not lead to misinterpretation of data.
- (8) **Display Refresh Rate.** The display refresh rate should be sufficient to prevent flicker effects that result in misleading information or difficulty in reading or interpreting information.
- (9) **[RESERVED]**
- (10) **Display Defects.** Display defects, such as element defects and stroke tails, resulting from hardware and graphical imaging causes should not impair readability of the displays or induce or cause erroneous interpretation. This is covered in more detail in SAE ARP 4256A, SAE AS 8034A, and SAE AS 8055.
- (11) **[RESERVED]**
- (12) **Flight Deck Viewing Envelope.** The size of the viewing envelope should provide visibility of the flight deck displays over the flight crew's normal range of head motion, and support cross-flight deck viewing if necessary; for example, when it is required that the captain be able to view and use the first officer's primary flight information.

b. Installation

- (1) Flight deck display equipment and installation designs should be compatible with the overall flight deck design characteristics (such as flight deck size and shape, flight crew member position, position of windows, external luminance, etc.) as well as the aeroplane environment (such as temperature, altitude, electromagnetic interference, and vibration).
- (2) European Organisation for Civil Aviation Electronics (EUROCAE) ED-14 *Environmental Conditions and Test Procedures for Airborne Equipment*, at the latest revision, provides information that may be used for an acceptable means of qualifying display equipment for use in the aeroplane environment.
- (3) **[RESERVED]**
- (4) The installation of the display equipment must not adversely affect its readability and the external scene visibility of the flight crew under all foreseeable conditions relative to the operating and lighting environment (CS 25.1321(a), CS 25.773 (a)(1)).
- (5) The installation of the display equipment must not cause glare or reflection, either on the displays or on the flight deck windows, that could interfere with the normal duties of the minimum flight crew (CS 25.773 (a)(2)) under all foreseeable conditions.
- (6) If the display system design is dependent on cross-flight deck viewing for its use, the installation should take into account the viewing angle limitations of the display units, the size of the displayed information, and the distance of the display from each flight crew member.
- (7) When a display is used to align or overlay symbols with real-world external data (for example, HUD symbols), the display should be installed such that positioning accuracy of these symbols is maintained during all phases of flight. SAE ARP 5288, *Transport Category Aeroplane Head Up Display (HUD) Systems*, provides additional details regarding the symbol positioning accuracy for conformal symbology on a HUD.
- (8) The display system components should not cause physical harm to the flight crew under foreseeable conditions relative to the operating environment (for example, turbulence or emergency egress).

- (9) The installed display must not visually obstruct other controls and instruments or prevent those controls and instruments from performing their intended function (CS 25.1301).
- (10) The display system must not be adversely susceptible to electromagnetic interference from other aeroplane systems (CS 25.1431) under all foreseeable conditions.
- (11) The display components should be installed in such a way that they retain mechanical integrity (secured in position) for all foreseeable conditions relative to the flight environment.
- (12) Liquid spill on or breakage of a display system component in the flight deck should not result in a hazard.

c. **Power Bus Transient.** EUROCAE document ED-14, at the latest revision, provides information that may be used for an acceptable means of qualifying display equipment such that the equipment performs its intended function when subjected to anomalous input power. SAE ARP 4256A, *Design Objectives for Liquid Crystal Displays for Part 25 (Transport) Aircraft*, provides additional information for power transient recovery (specifically for the display unit).

- (1) Flight deck displays and display systems should be insensitive to power transients caused by normal load switching operation of the aeroplane, in accordance with their intended function.
- (2) The electronic attitude display should not be unusable or unstable for more than one second after electrical bus transients due to engine failure. Only displays on one side of the aeroplane should be affected by an engine failure. Recognisably valid pitch and roll data should be available within one second on the affected displays and any effects lasting beyond one second should not interfere with the ability to obtain quick glance valid attitude. For most aeroplanes an engine failure after take-off will simultaneously create a roll acceleration, new pitch attitude requirements, and an electrical transient. Attitude information is paramount; if there is an engine failure, transfer to standby attitude or transfer of control of the aeroplane to the other pilot cannot be reliably accomplished in a timely enough manner to prevent an unsafe condition. In testing this failure mode, experience has shown that switching the generator off at the control panel may not result in the longest electrical transient. One practical way to simulate this failure is with a fuel cut which will allow the generator output voltage and frequency to decrease until the bus control recognises the failure. Other engine failure conditions may be more critical (such as sub-idle stalls) which cannot be reasonably evaluated during flight test. Analysis should identify these failure modes and show that the preceding criteria are met.
- (3) Non-normal bus transients (for example, generator failure) should not initiate a power up initialisation or cold start process.
- (4) The display response to a short term power interrupt (<200 milliseconds) should be such that the intended function of the display is not adversely affected.
- (5) Following in-flight long term power interrupts (>200 milliseconds), the display system should quickly return to operation in accordance with its intended function, and should continue to permit the safe control of the aeroplane in attitude, altitude, airspeed, and direction.
- (6) The large electrical loads required to restart some engine types should not affect more than one pilot's display during the start sequence.

17. – 20. [RESERVED]

CHAPTER 4

SAFETY ASPECTS OF ELECTRONIC DISPLAY SYSTEMS

21. General. This chapter provides additional guidance and interpretative material for applying CS 25.1309 and CS 25.1333(b) to the approval of display systems. Using electronic displays and integrated modular avionics allows designers to integrate systems to a much higher degree than was practical with previous flight deck components. Although operating the aeroplane may become easier as a result of the integration, evaluating the conditions in which the display system could fail and determining the severity of the resulting failure effects may become more complex. The evaluation of the failure conditions should identify the display function and include all causes that could affect that function's display and display equipment. CS 25.1309 defines the basic safety specifications for the airworthiness approval of aeroplane systems

a. Identification of Failure Conditions. One of the initial steps in establishing compliance with CS 25.1309 is identifying the failure conditions that are associated with a display or a display system. The following paragraphs provide material that may be useful in supporting this initial activity. The analysis of the failure condition should identify the impacted functionality, the effect on the aeroplane and/or its occupants, any considerations related to phase of flight, and identify any flight deck indication, flight crew action, or other relevant mitigation means.

(1) The type of display system failure conditions will depend, to a large extent, on the architecture (Integrated Modular Avionics, Federated System, Non-Federated System, etc.), design philosophy, and implementation of the system. Types of failure conditions include:

- Loss of function (system or display).
- Failure of display controls – loss of function or malfunction such that controls perform in an inappropriate manner, including erroneous display control.
- Malfunction (system or display) that leads to:
 - o Partial loss of data, or
 - o Erroneous display of data that is either:
 - Detected by the system (for example, flagged or comparator alert), and/or easily detectable by the flight crew; or
 - Difficult to detect by the flight crew or not detectable and assumed to be correct (for example, "Misleading display of").

(2) When a flight deck design includes primary and standby displays, consider failure conditions involving the failure of standby displays in combination with the failure of primary displays. The flight crew may use standby instruments in two complementary roles following the failure of primary displays:

- (a)** Redundant display to cope with failure of main instruments, or
- (b)** Independent third source of information to resolve inconsistencies between primary instruments.

(3) When the display of erroneous information is caused by failure of other systems which interface with the display system, the effects of these failures may not be limited to the display system. Associated failure conditions may be dealt with at the aeroplane level or within the other systems' safety assessment, as appropriate, in order to assess the cumulative effect.

b. Effects of Display Failure Conditions. The effects of display system failure conditions on safe operations are highly dependent on pilot skills, flight deck procedures, phase of flight, type of operations being conducted, and instrument or visual meteorological conditions.

(1) Based on previous aeroplane certification programmes, paragraph 21e of this AMC shows examples of safety objectives for certain failure conditions. These safety objectives do not preclude the need for a safety assessment of the actual effects of these failures, which may be

more or less severe depending on the design. Therefore, during the CS 25.1309 safety assessment process, the Agency will need to agree with the applicant's hazard classifications for these failure conditions in order for the assessment to be considered valid.

- (2) When assessing the effects that result from a display failure, consider the following, accounting for phases of flight when relevant:
- Effects on the flight crew's ability to control the aeroplane in terms of attitude, speed, accelerations, and flight path, potentially resulting in:
 - o Controlled flight into terrain,
 - o Loss of control of the aeroplane during flight and/or during critical flight phases (approach, take-off, go-around, etc.),
 - o Inadequate performance capability for phase of flight, including:
 - Loss of obstacle clearance capability, and
 - Exceeding take-off or landing field length.
 - o Exceeding the flight envelope,
 - o Exceeding the structural integrity of the aeroplane, and
 - o Causing or contributing to pilot induced oscillations.
 - Effects on the flight crew's ability to control the engines, such as:
 - o Those effects resulting in shutting down a non-failed engine in response to the failure of a different engine, and
 - o Undetected, significant thrust loss.
 - Effects on the flight crew's management of the aeroplane systems.
 - Effects on the flight crew's performance, workload and ability to cope with adverse operating conditions.
 - Effects on situation awareness; for example, the specific effects must be identified, such as situation awareness related to navigation or system status.
 - Effects on automation if the display is used as a controlling device.
- (3) When the display system is used as a control device for other aeroplane systems, consider the cumulative effect of a display system failure on all of the controlled systems.

c. Mitigation of Failure Conditions

- (1) When determining mitigation means for a failure condition consider the following:
- Protection against common mode failures.
 - Fault isolation and reconfiguration.
 - Redundancy (for example, heading information may be provided by an independent integrated standby and/or a magnetic direction indicator).
 - Availability of, level of, timeliness of, and type of, alert provided to the flight crew.
 - The flight phase and the aircraft configuration.
 - The duration of the condition.
 - The aircraft motion cues that may be used by the flight crew for recognition.
 - Expected flight crew corrective action on detection of the failure, and/or operational procedures.
 - In some flight phases, ability of the flight crew to control the aeroplane after a loss of primary attitude display on one side.

- The flight crew's ability to turn off a display (for example, full bright display at night).
 - Protections provided by other systems (for example, flight envelope protection or augmentation systems).
- (2) The mitigation means should be described in the safety analysis/assessment document or by reference to another document (for example, a system description document). The continued performance of the mitigation means, in the presence of the failure conditions, should also be identified and assured.
- (3) The safety assessment should include the rationale and coverage of any display system protection and monitoring philosophies used in the design. The safety assessment should also include an evaluation of each of the identified display system failure conditions and an analysis of the exposure to common mode/cause or cascade failures in accordance with AMC 25.1309. Additionally, the safety assessment should justify and describe any functional partitioning schemes employed to reduce the effect of integrated component failures or functional failures.

d. Validation of the Classification of Failure Conditions and Their Effects.

There may be situations where the severity of the effect of the failure condition identified in the safety analysis needs to be confirmed. Laboratory, simulator, or flight test may be appropriate to accomplish the confirmation. The method of validating the failure condition classification will depend on the effect of the condition, assumptions made, and any associated risk. If flight crew action is expected to cope with the effect of a failure condition, the information available to the flight crew should be useable for detection of the failure condition and to initiate corrective action.

e. System Safety Guidelines

- (1) Experience from previous certification programmes has shown that a single failure due to a loss or malfunction of the display system, a sensor, or some other dependent system, which causes the misleading display of primary flight information, may have negative safety effects. It is recommended that the display system design and architecture implement monitoring of the primary flight information to reduce the probability of displaying misleading information.
- (2) Experience from previous certification programmes has shown that the combined failure of both primary displays with the loss of the standby system can result in failure conditions with catastrophic effects.
- (3) When an integrated standby display is used to provide a backup means of primary flight information, the safety analysis should substantiate that common cause failures have been adequately addressed in the design, including the design of software and complex hardware. In particular, the safety analysis should show that the independence between the primary instruments and the integrated standby instruments is not violated because the integrated standby display may interface with a large number of aeroplane components, including power supplies, pitot static ports, and other sensors.
- (4) There should be a means to detect the loss of or erroneous display of primary flight information, either as a result of a display system failure or the failure of an associated sensor. When loss or malfunction of primary flight information is detected, the means used to indicate the lost or erroneous information should ensure that the erroneous information will not be used by the flight crew (for example, removal of the information from the display or placement of an "X" through the failed display).
- (5) The means used to indicate the lost or erroneous information, when it is detected, should be independent of the failure mechanism. For example, the processor that originates the erroneous parameter should not be the same processor that annunciates or removes the erroneous parameter from the display. Common mode failures of identical processor types should be considered (for example, common mode failures may exist in a processor used to compute the display parameters and an identical processor used for monitoring and annunciating failures.)
- (6) A catastrophic failure condition should not result from the failure of a single component, part, or element of a system. Failure containment should be provided by the system design

to limit the propagation of the effects of any single failure and preclude catastrophic failure conditions. In addition, there should not be a common cause failure that could affect both the single component, part, or element and its failure containment provisions.

- (7) For safety-critical display parameters, there should be a means to verify the correctness of sensor input data. Range, staleness, and validity checks should be used where possible.
- (8) The latency period induced by the display system, particularly for alerts, should not be excessive and should take into account the criticality of the alert and the required crew response time to minimise propagation of the failure condition.
- (9) For those systems that integrate windowing architecture into the display system, a means should be provided to control the information shown on the displays, such that the integrity of the display system as a whole will not be adversely impacted by anomalies in the functions being integrated. This means of controlling the display of information, called window manager in this AMC, should be developed to the software assurance level at least as high as the highest integrity function of any window. For example, a window manager should be level "A" if the information displayed in any window is level "A" (see AMC 20-115 Software Considerations for Airborne Systems and Equipment Certification). SAE ARP 4754A/EUROCAE ED-79A, *Guidelines for development of civil aircraft and systems*, provides a recommended practice for system development assurance.
- (10) **System Safety Assessment Guidelines.** The complete set of failure conditions to be considered in the display system safety analysis and the associated safety objective are established during the system safety assessment, and agreed upon by the applicant and the approving civil airworthiness agency. The safety assessment should consider the full set of display system intended functions as well as display system architecture and design philosophy (for example, failure modes, failure detection and annunciation, redundancy management, system and component independence and isolation). The system safety analysis is required by CS 25.1309, and indirectly by other specifications, including CS 25.901, CS 25.903, and CS 25.1333.

The following tables provide examples of failure conditions and associated safety objectives common to numerous display systems that are already certified. These tables are provided to identify a set of failure conditions that need to be considered; however, these are only examples. These examples do not replace the need for a system safety assessment and are not an exhaustive list of failure conditions. For these example failure conditions, additional functional capabilities or less operational mitigation may result in higher safety objectives, while reduced functional capability or increase operational mitigation may result in lower safety objectives.

- 1 **Attitude (Pitch and Roll).** The following table lists examples of safety objectives for attitude related failure conditions.

Table 3
Example Safety Objectives for
Attitude Failure Conditions

Failure Condition	Safety Objective
Loss of all attitude displays, including standby display	Extremely Improbable
Loss of all primary attitude displays	Remote - Extremely Remote (1)
Display of misleading attitude information on both primary displays	Extremely Improbable
Display of misleading attitude information on one primary display	Extremely Remote

Display of misleading attitude information on the standby display	Remote
Display of misleading attitude information on one primary display combined with a standby failure (loss of attitude or incorrect attitude)	Extremely Improbable (2)

Notes

- (1) *System architecture and functional integration should be considered in determining the classification within this range. This failure may result in a sufficiently large reduction in safety margins to warrant a hazardous classification.*
- (2) *Consistent with the “Loss of all attitude display, including standby display” safety objective, since the flight crew may not be able to identify the correct display. Consideration will be given to the ability of the flight crew to control the aeroplane after a loss of attitude primary display on one side in some flight phases (for example, during take-off).*

- 2 **Airspeed.** The following table lists examples of safety objectives for airspeed related failure conditions.

Table 4
Example Safety Objectives for
Airspeed Failure Conditions

Failure Condition	Safety Objective
Loss of all airspeed displays, including standby display	Extremely Improbable
Loss of all primary airspeed displays	Remote - Extremely Remote (1)
Display of misleading airspeed information on both primary displays, coupled with loss of stall warning or loss of over-speed warning	Extremely Improbable
Display of misleading airspeed information of the standby display (primary airspeed still available)	Remote
Display of misleading airspeed information on one primary display combined with a standby failure (loss of airspeed or incorrect airspeed)	Extremely Improbable (2)

Notes

- (1) *System architecture and functional integration should be considered in determining the classification within this range. This failure may result in a sufficiently large reduction in safety margins to warrant a hazardous classification.*
- (2) *Consistent with the “Loss of all airspeed display, including standby display” safety objective, since the flight crew may not be able to separate out the correct display.*

- 3 Barometric Altitude.** The following table lists examples of safety objectives for barometric altitude related failure conditions.

Table 5
Example Safety Objectives for
Barometric Altitude Failure Conditions

Failure Condition	Safety Objective
Loss of all barometric altitude displays, including standby display	Extremely Improbable
Loss of all barometric altitude primary displays	Remote - Extremely Remote (1)
Display of misleading barometric altitude information on both primary displays	Extremely Improbable
Display of misleading barometric altitude information on the standby display (primary barometric altitude still available)	Remote
Display of misleading barometric altitude information on one primary display combined with a standby failure (loss of altitude or incorrect altitude)	Extremely Improbable (2)

Notes

- (1) *System architecture and functional integration should be considered in determining the classification within this range. This failure may result in a sufficiently large reduction in safety margins to warrant a hazardous classification.*
- (2) *Consistent with the “Loss of all barometric altitude display, including standby display” safety objective since the flight crew may not be able to separate out the correct display. Consideration should be given that barometric setting function design is commensurate with the safety objectives identified for barometric altitude.*

- 4 Heading.** The following table lists examples of safety objectives for heading related failure conditions.

(aa) The standby heading may be provided by an independent integrated standby or the magnetic direction indicator.

(bb) The safety objectives listed below can be alleviated if it can be demonstrated that track information is available and correct.

Table 6
Example Safety Objectives for
Heading Failure Conditions

Failure Condition	Safety Objective
Loss of stabilised heading in the flight deck	Remote(2)
Loss of all heading displays in the flight deck	Extremely Improbable
Display of misleading heading information on both pilots' primary displays	Remote - Extremely Remote (1,2)
Display of misleading heading information on one primary display combined with a standby failure (loss of heading or incorrect heading)	Remote – Extremely Remote (1,2)

Notes

- (1) *System architecture and functional integration should be considered in determining the classification within this range. This failure may result in a sufficiently large reduction in safety margins to warrant a hazardous classification.*
- (2) *This assumes the availability of an independent, non-stabilised heading required by CS 25.1303 (a)(3).*

- 5 Navigation and Communication (Excluding Heading, Airspeed, and Clock Data).**
The following table lists examples of safety objectives for navigation and communication related failure conditions.

Table 7
Example Safety Objectives for
Certain Navigation and Communication
Failure Conditions

Failure Condition	Safety Objective
Loss of display of all navigation information	Remote (1)
Non-restorable loss of display of all navigation information coupled with a total loss of communication functions	Extremely Improbable
Display of misleading navigation information simultaneously to both pilots	Remote – Extremely Remote

Loss of all communication functions	Remote
-------------------------------------	--------

Note

- (1) “All” means loss of all navigation information, excluding heading, airspeed, and clock data. If any or all of the latter information is also lost then a higher classification may be warranted.

- 6 Other Parameters (Typically Shown on Electronic Display Systems).** The following table lists examples of safety objectives for failure conditions related to other parameters typically shown on electronic display systems.

Table 8
Example Safety Objectives for
Failure Conditions of Other Parameters

Failure Condition	Safety Objective
Display of misleading flight path vector information to one pilot	Remote (1)
Loss of all vertical speed displays	Remote
Display of misleading vertical speed information to both pilots	Remote
Loss of all slip/skid indication displays	Remote
Display of misleading slip/skid indication to both pilots	Remote
Display of misleading weather radar information	Remote (2)
Total loss of flight crew alerting displays	Remote (3)
Display of misleading flight crew alerting information	Remote (3)
Display of misleading flight crew procedures	Remote – Extremely Improbable (4)
Loss of the standby displays	Remote

Notes

- (1) The safety objective may be more stringent depending on the use and on the phase of flight.
- (2) Applicable to the display part of the system only.
- (3) See also AMC 25.1322.
- (4) To be evaluated depending on the particular procedures and associated situations.

7 Engine. Table 9, below, lists examples of generally accepted safety objectives for engine related failure conditions. Appendix 2 of this AMC provides additional guidance for powerplant displays.

(aa) The term “required engine indications” refers specifically to the engine thrust/power setting parameter (for example, engine pressure ratio, fan speed, or torque) and any other engine indications that may be required by the flight crew to maintain the engine within safe operating limits (for example, rotor speeds or exhaust gas temperature).

(bb) The information in Table 9 is based on the premise that the display failure occurs while operating in an autonomous engine control mode. Autonomous engine control modes, such as those provided by full authority digital engine controls, protect continued safe operation of the engine at any thrust lever setting. Hence, the flight deck indications and associated flight crew actions are not the primary means of protecting safe engine operation.

(cc) Where the indications serve as the primary means of assuring continued safe engine operation, the hazard classification may be more severe. For example, under the table entry “Loss of one or more required engine indications on more than one engine,” the hazard classification would change to “Catastrophic” and the probability would change to “Extremely Improbable.”

(dd) Each of the general failure condition descriptions provided in Table 9 represents a set of more specific failure conditions. The hazard classifications and probabilities provided in Table 9 represent the most severe outcome typically associated with any failure condition within the set. If considered separately, some of the specific failure conditions within each set would likely have less severe hazard classifications and probabilities.

Table 9
Example Safety Objectives for
Engine Failure Conditions

Failure Condition	Safety Objective
Loss of one or more required engine indications for a single engine	Remote
Misleading display of one or more required engine indications for a single engine	Remote
Loss of one or more required engine indications for more than one engine	Remote - Extremely Remote (1)
Misleading display of any required engine indications for more than one engine	Extremely Remote - Extremely Improbable (2)

Notes

(1) *The worst anticipated outcomes associated with this class of failure may often be driven by consideration of the simultaneous loss of all required engine indications. In any case, those outcomes will typically include both a high speed take-off abort and loss of the backup means to assure safe engine operations. High speed aborts have typically been classified as “hazardous” by the Agency due to the associated impacts on both flight crew workload and safety margins. Since any number of single failures or errors can defeat the protections of a typical autonomous engine control,*

losing the ability to backup the control is considered a sufficiently large reduction in the safety margins to also warrant a “hazardous” classification. Hence the “Extremely Remote” design guide line was chosen.

- (2) *If the power setting parameter is indicating higher than actual during take-off, this can lead directly to a catastrophe, either due to a high speed runway overrun or impacting an obstacle after take-off. This classification has been debated and sustained by the Agency numerous times in the past. Hence the “Extremely Improbable” probability is listed.*

8 Use of Display Systems as Controls. Hazard classifications and safety objectives are not provided for display systems used as controls because the failure conditions are dependant on the functions and systems being controlled or on alternative means of control. The use of display systems as controls is described in Chapter 7 of this AMC. The following table lists the failure conditions when display systems are used as controls.

Table 10
Failure Conditions for Display Systems Used as Controls

Failure Condition	Safety Objective
Total loss of capability to use the display system as a control	Depends on system being controlled.
Undetected erroneous input from the display system as a control	Depends on system being controlled.

[Amdt No: 25/12]

22.– 30. [RESERVED]

CHAPTER 5

ELECTRONIC DISPLAY INFORMATION ELEMENTS AND FEATURES

31. Display Information Elements and Features. This chapter provides guidance for the display of information elements including text, labels, symbols, graphics, and other depictions (such as schematics) in isolation and in combination. It covers the design and format of these information elements within a given display area. Chapter 6 of this AMC covers the integration of information across several display areas in the flight deck, including guidance on flight deck information location, display arrangement, windowing, redundancy management, and failure management.

a. General

- (1) The following list provides objectives for each display information element, in accordance with its intended function:
- Each flight, navigation, and powerplant instrument for use by any pilot must be plainly visible to him from his station with the minimum practicable deviation from his normal position and line of vision when he is looking forward along the flight path (CS 25.1321(a)).
 - The displayed information should be easily and clearly discernable, and have enough visual contrast for the pilot to see and interpret it. Overall, the display should allow the pilot to identify and discriminate the information without eyestrain. Refer to paragraph 16a(4) of this AMC for additional guidance regarding contrast ratio.
 - For all display configurations, all foreseeable conditions relative to lighting should be considered. Foreseeable lighting considerations should include failure modes such as lighting and power system failure, the full range of flight deck lighting and display system lighting options, and the operational environment (for example, day and night operations). If a visual indicator is provided to indicate a malfunction of an instrument, it must be effective under all foreseeable lighting conditions (CS 25.1321(e)).
 - Information elements (text, symbol, etc.) should be large enough for the pilot to see and interpret in all foreseeable conditions relative to the operating environment and from the flight crew station. If two or more pilots need to view the information,

the information elements should also be discernable and interpretable over these viewing distances.

- The pilots should have a clear, unobstructed, and undistorted view of the displayed information.
- Information elements should be distinct and permit the pilots to immediately recognise the source of the information elements when there are multiple sources of the same kind of information. For example, if there are multiple sources for vertical guidance information, then each informational element should be distinct so the flight crew can immediately recognise the source of the vertical guidance.

(2) Factors to consider when designing and evaluating the viewability and readability of the displayed information include:

- Position of displayed information: Distance from the design eye position (DEP) is generally used. If cross-flight deck viewing of the information is needed, distance from the offside DEP, accounting for normal head movement, should be used. For displays not mounted on the front panel, the distance determination should include any expected movement away from the DEP by the flight crew.
- Vibrations: Readability should be maintained in adverse conditions, such as vibration. One possible cause of vibration is sustained engine imbalance. AMC 25-24, *Sustained Engine Imbalance*, provides readability guidance for that condition.
- Visual Angles: Account for both the position of the displayed information as well as font height. SAE ARP 4102/7, *Electronic Displays*, provides additional information on this subject.
- Readability of Display Information: The Illuminating Engineering Society classifies three main parameters that affect readability: luminance, size, and contrast. Size is the combination of font size and distance from the display.

b. Consistency. Display information should be presented so it is consistent with the flight deck design philosophy in terms of symbology, location, control, behaviour, size, shape, colour, labels, dynamics and alerts. Consistency also applies to the representation of information on multiple displays on the same flight deck. Display information representing the same thing on more than one display on the same flight deck should be consistent. Acronyms and labels should be used consistently, and messages/annunciations should contain text in a consistent way. Inconsistencies should be evaluated to ensure that they are not susceptible to confusion or errors, and do not adversely impact the intended function of the system(s) involved.

c. Display Information Elements

(1) **Text.** Text should be shown to be distinct and meaningful for the information presented. Messages should convey the meaning intended. Abbreviations and acronyms should be clear and consistent with established standards. For example, International Civil Aviation Organization (ICAO) document 8400, *Procedures for Air Navigation Services ICAO Abbreviations and Codes*, provides internationally recognised standard abbreviations and airport identifiers.

- (a) Regardless of the font type, size, colour, and background, text should be readable in all foreseeable lighting and operating conditions from the flight crew station (CS 25.1321(a)). General guidelines for text are as follows:
- Standard grammatical use of upper and lower case letters is recommended for lengthy documentation and lengthy messages. Using this format is also helpful when the structure of the text is in sentence form.
 - The use of only upper case letters for text labels is acceptable.
 - Break lines of text only at spaces or other natural delimiters.

- Avoid abbreviations and acronyms where practical.
- SAE ARP 4102/7, *Electronic Displays*, provides guidelines on font sizes that are generally acceptable.

(b) The choice of font also affects readability. The following guidelines apply:

- To facilitate readability, the font chosen should be compatible with the display technology. For example, serif fonts may become distorted on some low pixel resolution displays. However, on displays where serif fonts have been found acceptable, they have been found to be useful for depicting full sentences or larger text strings.
- Sans Serif fonts (for example, Futura or Helvetica) are recommended for displays viewed under extreme lighting conditions.

(2) Labels. Labels may be text or icons. The following paragraphs provide guidance on labelling items such as knobs, buttons, symbols, and menus. This guidance applies to labels that are on a display, label a display, or label a display control. CS 25.1555(a) requires that each flight deck control, other than controls whose function is obvious, must be plainly marked as to its function and method of operation. Controls whose functions are not obvious should be marked or identified so that a flight crew member with little or no familiarity with the aeroplane is able to rapidly, accurately, and consistently identify their functions.

(a) Text and icons should be shown to be distinct and meaningful for the function(s) they label. Standard or non-ambiguous symbols, abbreviations, and nomenclature should be used; for example, in order to be distinct from barometric altitude, any displayed altitude that is geometrically derived should be labelled “GSL.”

(b) If a control performs more than one function the labels should include all intended functions, unless the function of the control is obvious. Labels of graphical controls accessed via a cursor control device should be included on the graphical display.

(c) The following are guidelines and recommendations for labels:

- Data fields should be uniquely identified either with the unit of measurement or a descriptive label. However, some basic “T” instruments have been found to be acceptable without units of measurement.
- Labels should be consistent with related labels located elsewhere in the flight deck.
- When a control or indication occurs in multiple places (for example, a “Return” control on multiple pages of a flight management function), the label should be consistent across all occurrences.

(d) Labels should be placed such that:

- The spatial relationships between labels and the objects they reference are clear.
- Labels for display controls are on or adjacent to the controls they identify.
- Labels for display controls are not obstructed by the associated controls.
- Labels are oriented to facilitate readability. For example, the labels continuously maintain an upright orientation or align with an associated symbol such as a runway or airway.
- On multi-function displays, a label should be used to indicate the active function(s), unless its function is obvious. When the function is no longer active or being displayed, the label should be removed unless another means of showing availability of that function is used. For example, greying out an inactive menu button.

- (e) When using icons instead of text labels, only brief exposure to the icon should be needed in order for the flight crew to determine the function and method of operation of a control. The use of icons should not cause flight crew confusion.

(3) Symbols

- (a) Electronic display symbol appearance and dynamics should be designed to enhance flight crew comprehension and retention, and minimise flight crew workload and errors in accordance with the intended function. The following list provides guidance for symbol appearance and dynamics:
 - Symbols should be positioned with sufficient accuracy to avoid interpretation errors or significantly increase interpretation time.
 - Each symbol used should be identifiable and distinguishable from other related symbols.
 - The shape, dynamics, and other symbol characteristics representing the same function on more than one display on the same flight deck should be consistent.
 - Symbol modifiers used to convey multiple levels of information should follow depiction rules clearly stated by the applicant. Symbol modifiers are changes to easily recognised baseline symbols such as colours, fill, and borders.
 - Symbols that represent physical objects (for example, navigational aids and traffic) should not be misleading as to the object's physical characteristics (including position, size, envelope, and orientation).
- (b) Within the flight deck, avoid using the same symbol for different purposes, unless it can be shown that there is no potential for misinterpretation errors or increases in flight crew training times.
- (c) It is recommended that standardised symbols be used. The symbols in the following SAE documents have been found to be acceptable for compliance to the regulations:
 - SAE ARP 4102/7, *Electronic Displays*, Appendices A through C (for primary flight, navigation, and powerplant displays);
 - SAE ARP 5289, *Electronic Aeronautical Symbols*, (for depiction of navigation symbology); and
 - SAE ARP 5288, *Transport Category Aeroplane Head Up Display (HUD) Systems*, (for HUD symbology).

(4) **Indications.** The following paragraphs provide guidance on numeric readouts, gauges, scales, tapes and graphical depictions such as schematics. Graphics related to interactivity are discussed in paragraph 31e of this chapter and Chapter 7 of this AMC. Graphics and display indications should:

- Be readily understood and compatible with other graphics and indications in the flight deck.
 - Be identifiable and readily distinguishable.
 - Follow the guidance for visibility presented in paragraphs 31a, 31b, 31c(1), and 31c(2) of this chapter.
- (a) **Numeric Readouts.** Numeric readouts include displays that emulate rotating drum readouts where the numbers scroll, as well as displays where the digit locations stay fixed.

- 1 Data accuracy of the numeric readout should be sufficient for the intended function and to avoid inappropriate flight crew response. The number of significant digits should be appropriate to the data accuracy. Leading zeroes

should not be displayed unless convention dictates otherwise (for example, heading and track). As the digits change or scroll, there should not be any confusing motion effects such that the apparent motion does not match the actual trend.

- 2 When a numeric readout is not associated with any scale, tape, or pointer, it may be difficult for pilots to determine the margin relative to targets or limits, or compare between numeric parameters. A scale, dial, or tape may be needed to accomplish the intended flight crew task.
- 3 For North, numeric readouts of heading should indicate 360, as opposed to 000.

(b) Scales, Dials, and Tapes. Scales, dials, and tapes with fixed and/or moving pointers have been shown to effectively improve flight crew interpretation of numeric data.

- 1 The displayed range should be sufficient to perform the intended function. If the entire operational range is not shown at any given time, the transition to the other portions of the range should not be distracting or confusing.
- 2 Scale resolution should be sufficient to perform the intended task. Scales may be used without an associated numeric readout if alone they provide sufficient accuracy for the intended function. When numeric readouts are used in conjunction with scales, they should be located close enough to the scale to ensure proper association, yet not detract from the interpretation of the graphic or the readout.
- 3 Delimiters, such as tick marks, should allow rapid interpretation without adding unnecessary clutter. Markings and labels should be positioned such that their meaning is clear yet they do not hinder interpretation. Pointers and indexes should not obscure the scales or delimiters such that they can no longer be interpreted. Pointers and indexes should be positioned with sufficient accuracy for their intended function. Accuracy includes effects due to data resolution, latency, graphical positioning, etc.

(c) Other Graphical Depictions. Depictions include schematics, synoptics, and other graphics such as attitude indications, moving maps, and vertical situation displays.

- 1 To avoid visual clutter, graphic elements should be included only if they add useful information content, reduce flight crew access or interpretation time, or decrease the probability of interpretation error.
- 2 To the extent it is practical and necessary, the graphic orientation and the flight crew's frame of reference should be correlated. For example, left indications should be on the left side of the graphic and higher altitudes should be shown above lower altitudes.
- 3 If there are multiple depictions, such as "thumbnail" or overlaid depictions, the orientation (for example, heading up, track up, North up, etc.) should be the same for each depiction. This does not apply to other systems where the captain and first officer may select different presentations of the same information and are used exclusively by that flight crew member.
- 4 Graphics that include 3-Dimensional effects, such as raised buttons or the aeroplane flight path in a perspective view, should ensure that the symbol elements used to achieve these effects will not be incorrectly interpreted.

(5) Colour Coding

- (a)** If colour is used for coding at least one other distinctive coding parameter should be used (for example, size, shape, location, etc.). Normal aging of the eye can reduce the ability to sharply focus on red objects, or discriminate blue from green. For pilots with such a deficiency, display interpretation workload may be unacceptably increased unless symbology is coded in more dimensions than colour alone. However, the use

of colour alone for coding information has been shown to be acceptable in some cases, such as weather radar and terrain depiction on the lateral view of the navigation display.

- (b) To ensure correct information transfer, the consistent use and standardisation of colour is highly desirable. In order to avoid confusion or interpretation error, there should not be a change in how the colour is perceived over all foreseeable conditions. Colours used for one purpose in one information set should not be used for an incompatible purpose that could create a misunderstanding within another information set. In particular, consistent use and standardisation for red and amber or yellow, per CS 25.1322, is required to retain the effectiveness of flight crew alerts. A common application is the progression from green to amber to red, representing increasing degrees of threat, potential hazard, safety criticality, or need for flight crew awareness or response. Inconsistencies in the use of colour should be evaluated to ensure that they are not susceptible to confusion or errors, and do not adversely impact the intended function of the system(s) involved.
- (c) If colour is used for coding it is considered good practice to use six colours or less for coding parameters. Each coded colour should have sufficient chrominance separation so it is identifiable and distinguishable in all foreseeable lighting and operating conditions and when used with other colours. Colours should be identifiable and distinguishable across the range of information element size, shape, and movement. The colours available for coding from an electronic display system should be carefully selected to maximise their chrominance separation. Colour combinations that are similar in luminance should be avoided (for example, Navy blue on black or yellow on white).
- (d) Other graphic depictions such as terrain maps and synthetic vision presentations may use more than six colours and use colour blending techniques to represent colours in the outside world or to emphasize terrain features. These displays are often presented as background imagery and the colours used in the displays should not interfere with the flight crew interpretation of overlaid information parameters as addressed in paragraph 31c(5)(e)1 of this chapter.
- (e) The following table depicts previously accepted colour coding and the functional meaning associated with each colour. The use of these colours is recommended for electronic display systems with colour displays. (*Note: Some of these colours may be mandatory under CS-25.*)

Table 11
Recommended Colours for Certain Features

Feature	Colour
Warnings	Red
Flight envelope and system limits, exceedances	Red or Yellow/Amber as appropriate (see above)
Cautions, non-normal sources	Yellow/Amber
Scales, dials, tapes, and associated information elements	White (1)
Earth	Tan/Brown
Sky	Blue/Cyan
Engaged Modes/Normal Conditions	Green

Instrument landing system deviation pointer	Magenta
Divisor lines, units and labels for inactive soft buttons	Light Gray

Note

- (1) Use of the colour green for tape elements (for example airspeed and altitude) has also been found acceptable if the colour green does not adversely affect flight crew alerting.

- (f) The following table depicts display features that should be allocated a colour from either Colour Set 1 or Colour Set 2.

Table 12
Recommended Colour Sets for Certain Display Features

Display Feature	Colour Set 1	Colour Set 2
Fixed reference symbols	White	Yellow (1)
Current data, values	White	Green
Armed modes	White	Cyan
Selected data, values	Green	Cyan
Selected heading	Magenta(2)	Cyan
Active route/flight plan	Magenta	White

Notes

- (1) Use of the colour yellow for functions other than flight crew alerting should be limited and should not adversely affect flight crew alerting.
- (2) In Colour Set 1, magenta is intended to be associated with those analogue parameters that constitute “fly to” or “keep centred” type information.

- (g) **Colour Pairs.** For further information on this subject see the FAA report *Human Factors Design Guide Update (Report Number DOT/FAA/CT-96/01): A Revision to Chapter 8 - Human Interface Guidelines*.

- (h) When background colour is used (for example, grey), it should not impair the use of the overlaid information elements. Labels, display-based controls, menus, symbols, and graphics should all remain identifiable and distinguishable. The use of background colour should conform to the overall flight deck philosophies for colour usage and information management. If texturing is used to create a background, it should not result in loss of readability of the symbols overlaid on it, nor should it increase visual clutter or pilot information access time. Transparency is a means of seeing a background information element through a foreground one – the use of transparency should be minimised because it may increase pilot interpretation time or errors.

- (i) Requiring the flight crew to discriminate between shades of the same colour for distinct meaning is not recommended. The use of pure blue should not be used for

important information because it has low luminance on many display technologies (for example, CRT and LCD).

- (j) Any foreseeable change in symbol size should ensure correct colour interpretation; for example, the symbol needs to be sufficiently large so the pilot can interpret the correct colour.

d. **Dynamic (Graphic) Information Elements on a Display**

- (1) **General.** The following paragraphs cover the motion of graphic information elements on a display, such as the indices on a tape display. Graphic objects that translate or rotate should do so smoothly without distracting or objectionable jitter, jerkiness, or ratcheting effects. Data update rates for information elements used in direct aeroplane or powerplant manual control tasks (such as attitude, engine parameters, etc.) equal to or greater than 15 Hertz have been found to be acceptable. Any lag introduced by the display system should be consistent with the aeroplane control task associated with that parameter. In particular, display system lag (including the sensor) for attitude which does not exceed a first order equivalent time constant of 100 milliseconds for aeroplanes with conventional control system response is generally acceptable.
- (2) Movement of display information elements should not blur, shimmer, or produce unintended dynamic effects such that the image becomes distracting or difficult to interpret. Filtering or coasting of data intended to smooth the motion of display elements should not introduce significant positioning errors or create system lag that makes it difficult to perform the intended task.
- (3) When a symbol reaches the limit of its allowed range of motion, the symbol should either slide from view, change visual characteristics, or be self-evident that further deflection is impossible.
- (4) Dynamic information should not appreciably change shape or colour as it moves. Objects that change sizes (for example, as the map range changes) should not cause confusion as to their meaning and should remain consistent throughout their size range. At all sizes the objects should meet the guidance of this chapter as applicable (that is, the objects should be discernable, legible, identifiable, placed accurately, not distracting, etc.).

- e. **Sharing Information on a Display.** There are three primary methods of sharing information on a given display. First, the information may be overlaid or combined, such as when traffic alert and collision avoidance system (TCAS) information is overlaid on a map display. Second, the information can be time shared so that the pilot toggles between functions, one at a time. Third, the information may be displayed in separate physical areas or windows that are concurrently displayed. Regardless of the method of information sharing, care should be taken to ensure that information that is out prioritised, but is needed, can be recovered, and that it will not be needed more quickly than it can be recovered.

(1) **Overlays and Combined Information Elements.** The following guidelines apply:

- When information is graphically overlaid over other information (for example, an aeroplane symbol over a waypoint symbol) in the same location on a display, the loss of information availability, information access times, and potential for confusion should be minimised.
- When information obscures other information it should be shown that the obscured information is either not needed when it is obscured or can be rapidly recovered. Needed information should not be obscured. This may be accomplished by protecting certain areas of the display.
- If information is integrated with other information on a display, the projection, the placement

accuracy, the directional orientation and the display data ranges should all be consistent (for example, when traffic or weather is integrated with navigation information). When information elements temporarily obscure other information (for example, pop-up menus or windows), the resultant loss of information should not cause a hazard in accordance with the obscured information's intended function.

(2) Time Sharing. The following guidelines apply:

- Guidance on Full-time vs Part-time Displays (see paragraph 36c(3) of this AMC).
- Any information that should or must be continuously monitored by the flight crew should be displayed at all times (for example, attitude).
- Whether or not information may be time shared depends on how easily it can be retrieved in normal, non-normal, and emergency operations. Information for a given performance monitoring task may be time shared if the method of switching back and forth does not jeopardise the performance monitoring task.
- Generally, system information, planning, and other information not necessary for the pilot tasks can be time shared.

(3) Separating Information Visually. When different information elements are adjacent to each other on a display, the elements should be separated visually so the pilots can easily distinguish between them. Visual separation can be achieved with, for example, spacing, delimiters, or shading in accordance with the overall flight deck information management philosophy. Required information presented in reversionary or compacted display modes following a display failure should still be uncluttered and still allow acceptable information access time.

(4) Clutter and De-Clutter

- (a)** A cluttered display presents an excessive number or variety of symbols, colours, and/or other unnecessary information and, depending on the situation, may interfere with the flight task or operation. A cluttered display causes increased flight crew processing time for display interpretation, and may detract from the interpretation of information necessary to navigate and fly the aeroplane. Information should be displayed so that clutter is minimised.
- (b)** To enhance pilot performance a means should be considered to de-clutter the display. For example, an attitude indicator may automatically de-clutter when the aeroplane is at an unusual attitude to aid the pilot in recovery from the unusual attitude by removing unnecessary information and retaining information required for the flight crew to recover the aeroplane.

f. Annunciations and Indications

(1) General. Annunciations and indications include annunciator switches, messages, prompts, flags, and status or mode indications which are either on the flight deck display itself or control a flight deck display. Reference: CS 25.1322 and the associated AMC for information regarding specific annunciations and indications such as warning, caution, and advisory level alerts.

- (a)** Annunciations and indications should be operationally relevant and limited to minimise the adverse effects on flight crew workload.
- (b)** Annunciations and indications should be clear, unambiguous, timely, and consistent with the flight deck design philosophy. When an annunciation is provided for the status or mode of a system, it is recommended that the annunciation indicate the

actual state of the system and not just the position or selection of a switch. Annunciations should only be indicated while the condition exists.

- (2) **Location.** Annunciations and indications should be consistently located in a specific area of the electronic display. Annunciations that may require immediate flight crew awareness should be located in the flight crew's forward/primary field of view.
 - (3) **Managing Messages and Prompts**
 - (a) The following general guidance applies to all messages and prompts:
 - When messages are currently being displayed and there are additional messages in the queue that are not currently displayed, there should be an indication that the additional messages exist.
 - Within levels of urgency, messages should be displayed in logical order. In many cases the order of occurrence of events has been found to be the most logical way to place the messages in order.
 - (b) A text change by itself should not be used as an attention-getting cue (for example, to announce mode changes).
 - (4) **Blinking.** Blinking information elements such as readouts or pointers are effective methods of annunciation. However, the use of blinking should be limited because it can be distracting and excessive use reduces the attention getting effectiveness. Blinking rates between 0.8 and 4.0 Hertz should be used, depending on the display technology and the compromise between urgency and distraction. If blinking of an information element can occur for more than approximately 10 seconds, a means to cancel the blinking should be provided.
- g. Use of Imaging.** This paragraph provides guidance on the use of images which depict a specific portion of the aeroplane environment. These images may be static or continuously updated. Imaging includes weather radar returns, terrain depictions, forecast weather maps, video, enhanced vision displays, and synthetic vision displays. Images may be generated from databases or by sensors.
- (1) Images should be of sufficient size and include sufficient detail to meet the intended function. The pilots should be able to readily distinguish the features depicted. Images should be oriented in such a way that their presentation is easily interpreted. All images, but especially dynamic images, should be located or controllable so they do not distract the pilots from required tasks. The source and intended function of the image and the level of operational approval for using the image should be provided to the pilots. This can be accomplished using the aeroplane flight manual, image location, adequate labelling, distinct texturing, or other means.
 - (2) Image distortion should not compromise image interpretation. Images meant to provide information about depth (for example, 3-Dimensional type perspective displays) should provide adequate depth information to meet the intended function.
 - (3) Dynamic images should meet the guidance in paragraph 31d of this chapter, above. The overall system lag time of a dynamic image relative to real time should not cause flight crew misinterpretation or lead to a potentially hazardous condition. Image failure, freezing, coasting or colour changes should not be misleading and should be considered during the safety analysis.
 - (4) When overlaying coded information elements over images, the information elements should be readily identifiable and distinguishable for all foreseeable conditions of the underlying image and range of motion. The information elements should not obscure necessary information contained in the image. The information should be depicted with the appropriate size, shape, and placement accuracy to avoid being misleading. They should retain and maintain their shape, size, and colour for all foreseeable conditions of the underlying image and range of motion.
 - (5) When fusing or overlaying multiple images, the resultant combined image should meet its intended function despite any differences in image quality, projection, data update rates,

sensitivity to sunlight, data latency, or sensor alignment algorithms. When conforming an image to the outside world, such as on a HUD, the image should not obscure or significantly hinder the flight crew's ability to detect real world objects. An independent brightness control of the image may help satisfy this guideline. Image elements that correlate or highlight real world objects should be sufficiently coincident to avoid interpretation error or significantly increase interpretation time.

32. – 35. [RESERVED]

CHAPTER 6

ORGANISING ELECTRONIC DISPLAY INFORMATION ELEMENTS

36. Organising Information Elements

- a. General.** This chapter provides guidance for integrating information into the flight deck related to managing the location of information, arranging the display, windowing, configuring and reconfiguring the display, and selecting the sensors across the flight deck displays. The following paragraphs include guidance for various flight deck configurations from dedicated electronic displays for the attitude director indicator and the horizontal situation indicator to larger display sizes which use windowing techniques to display various functionalities on one display area. In some flight decks the primary flight information and the navigation display are examples of information that is displayed using windowing techniques. Chapter 5 of this AMC provides guidance for information elements including: text, labels, symbols, graphics, and other depictions (such as video) in isolation and combination.
- b. Types and Arrangement of Display Information.** This paragraph provides guidance for the arrangement and location of categories of information. The categories of information include:
- Primary flight information including attitude, airspeed, altitude, and heading.
 - Powerplant information which covers functions relating to propulsion.
 - Other information.
- (1) Placement - General Information.** The position of a message or symbol within a display conveys meaning to the pilot. Without the consistent or repeatable location of a symbol in a specific area of the electronic display interpretation error and response times may increase. The following information should be placed in a consistent location under normal conditions:
- Primary flight information (see paragraph 36b(3) in this chapter and Appendix 1 of this AMC).
 - Powerplant information (see paragraph 36b(4) in this chapter and Appendix 2 of this AMC).
 - Flight crew alerts – each flight crew alert should be displayed in a specific location or a central flight crew alert area.
 - Autopilot and flight director modes of operation.
 - Lateral and vertical path deviation indicators.
 - Radio altitude indications.
 - Failure flags should be presented in the location of the information they reference or replace.
 - Data labels for navigation, traffic, aeroplane system, and other information should be placed in a consistent position relative to the information they are labelling.
 - Supporting data for other information, such as bugs and limit markings, should be consistently positioned relative to the information they support.

- Features on electronic moving map displays (for example, VORs, waypoints, etc.) relative to the current aeroplane position. In addition, the features should be placed on a constant scale for each range selected.
 - Segment of flight information relative to similar information or other segments.
- (2) Placement - Controls and Indications.** When a control or indication occurs in multiple places (for example a “Return” control on multiple pages of a flight management function), the control or indication should be located consistently for all occurrences.
- (3) Arrangement - Basic T Information**
- (a)** CS 25.1321(b) includes specifications for the “Basic T” arrangement of certain information required by CS 25.1303(b).
- (b)** The following paragraphs provide guidance for the Basic T arrangement. This guidance applies to single and multiple display surfaces.
- 1 The Basic T information should be displayed continuously, directly in front of each flight crew member under normal (that is, no display system failure) conditions. CS 25.1321(b) requires that flight instruments required by CS 25.1303 must be grouped on the instrument panel and centred as nearly as practicable about the vertical plane of the pilot's forward vision.
 - 2 The Basic T arrangement applies to the primary display of attitude, airspeed, altitude, and direction of flight. Depending on the flight deck design, there may be more than one indication of the Basic T information elements in front of a pilot. For example, heading information may appear on back-up displays, HUDs, and moving map displays. The primary airspeed, altitude, and direction indications are the respective display indications closest to the primary attitude indication.
 - 3 The primary attitude indication should be centred about the plane of the flight crew's forward vision. This should be measured from the DEP at the flight crew station. If located on the main instrument panel, the primary attitude indication must be in the top centre position (CS 25.1321(b)). The attitude indication should be placed so that the display is unobstructed under all flight conditions. Refer to SAE ARP 4102/7 for additional information.
 - 4 The primary airspeed, altitude, and direction of flight indications should be located adjacent to the primary attitude indication. Information elements placed within, overlaid, or between these indications, such as lateral and vertical deviation, are acceptable when they are relevant to respective airspeed, altitude, or directional indications used for accomplishing the basic flying task, and are shown to not disrupt the normal crosscheck or decrease manual flying performance.
 - 5 The instrument that most effectively indicates airspeed must be adjacent to and directly to the left of the primary attitude indication (CS 25.1321(b)). The centre of the airspeed indication should be aligned with the centre of the attitude indication. For airspeed indications, vertical deviations have been found acceptable up to 15 degrees below to 10 degrees above when measured from the direct horizontal position of the aeroplane waterline reference symbol. For tape type airspeed indications, the centre of the indication is defined as the centre of the current airspeed status reference.
 - 6 Parameters related to the primary airspeed indication, such as reference speeds or a mach indication, should be displayed to the left of the primary attitude indication.
 - 7 The instrument that most effectively indicates altitude must be located adjacent to and directly to the right of the primary attitude indication (CS 25.1321(b)). The centre of the altitude indication should be aligned with the centre of the attitude indication. For altitude indications, vertical deviations have been found acceptable up to 15 degrees below to 10 degrees above when measured from the

direct horizontal position of the aeroplane waterline reference symbol. For tape type altitude indications, the centre of the indication is defined as the centre of the current altitude status reference.

- 8 Parameters related to the primary altitude indication, such as the barometric setting or the primary vertical speed indication, should be displayed to the right of the primary altitude indication.
- 9 The instrument that most effectively indicates direction of flight must be located adjacent to and directly below the primary attitude indication (CS 25.1321(b)). The centre of the direction of flight indication should be aligned with the centre of the attitude indication. The centre of the direction of flight indication is defined as the centre of the current direction of flight status reference.
- 10 Parameters related to the primary direction of flight indication, such as the reference (that is, magnetic or true) or the localiser deviation should be displayed below the primary attitude indication.
- 11 If applicants seek approval of alternative instrument arrangements by equivalent safety under Part 21A.21(c)2, the Agency will normally require well-founded research, or relevant service experience from military, foreign, or other sources to substantiate the applicants' proposed compensating factors.

(4) Arrangement - Powerplant Information

- (a) Required engine indications necessary to set and monitor engine thrust or power should be continuously displayed in the flight crew's primary field of view, unless the applicant can demonstrate that this is not necessary (see the guidance in paragraph 36c(3) of this chapter and Appendix 2 of this AMC). The automatically selected display of powerplant information should not suppress other information that requires flight crew awareness.
- (b) Powerplant information must be closely grouped (in accordance with § 25.1321) in an easily identifiable and logical arrangement which allows the flight crew to clearly and quickly identify the displayed information and associate it with the corresponding engine. Typically, it is considered to be acceptable to arrange parameters related to one powerplant in a vertical manner and, according to powerplant position, next to the parameters related to another powerplant in such a way that identical powerplant parameters are horizontally aligned. Generally, place parameter indications in order of importance with the most important one at the top. Typically, the top indication is the primary thrust setting parameter.

(5) Arrangement - Other Information (For Example, Glideslope and Multi-Function Displays)

- (a) Glideslope or glidepath deviation scales should be located to the right side of the primary attitude indication. If glideslope deviation data is presented on both an electronic horizontal situation indicator and an electronic attitude direction indicator, the information should appear in the same relative location on each indicator.
- (b) When the glideslope pointer is being driven by a RNAV (area navigation) system with VNAV (vertical navigation) or ILS (instrument landing system) look-alike functionality, the pointer should not be marked "GS" or "glideslope."
- (c) Navigation, weather, and vertical situation display information is often displayed on multi-function displays. This information may be displayed on one or more physical electronic displays, or on several areas of one larger display. When this information is not required to be displayed continuously, it can be displayed part-time, but the displayed information should be easily recoverable to the flight crew when needed. For guidance on part-time displays see paragraph 36c(3) of this chapter.
- (d) Other information should not be located where the primary flight information or required powerplant information is normally presented. See paragraphs 36b(1) and

36b(3) of this chapter for primary flight information guidance. See paragraphs 21e(10) and 36b(4) of this AMC for powerplant information guidance.

c. Managing Display Information. The following paragraphs address managing and integrating the display of information throughout the flight deck. This includes the use of windows to present information and the use of menus to manage the display of information.

(1) Window. A window is a defined area which can be present on one or more physical displays. A window that contains a set of related information is commonly referred to as a format. Multiple windows may be presented on one physical display surface and may have different sizes. Guidelines for sharing information on a display, using separate windows, are as follows:

- The window(s) should have fixed size(s) and location(s).
- Separation between information elements within and across windows should be sufficient to allow the flight crew to readily distinguish separate functions or functional groups (for example, powerplant indication) and avoid any distractions or unintended interaction.
- Display of selectable information, such as a window on a display area, should not interfere with or affect the use of primary flight information.
- For additional information regarding the display of data on a given location, data blending, and data over-writing (see ARINC Specification 661).

(2) Menu

- (a)** A menu is a displayed list of items from which the flight crew can choose. Menus include drop-down and scrolling menus, line select keys on a multi-function display, and flight management system menu trees. An option is one of the selectable items in a menu. Selection is the action a user makes in choosing a menu option, and may be done by pointing (with a cursor control device or other mechanism), entering an associated option code, or activating a function key.
- (b)** The hierarchical structure and organisation of the menus should be designed to allow the flight crew to sequentially step through the available menus or options in a logical way that supports their tasks. The options provided on any particular menu should be logically related to each other. Menus should be displayed in consistent locations, either a fixed location or a consistent relative location, so that the flight crew knows where to find them. At all times the system should indicate the current position within the menu and menu hierarchy.
- (c)** The number of sub-menus should be designed to assure timely access to the desired option without over-reliance on memorisation of the menu structure. The presentation of items on the menu should allow clear distinction between items that select other menus and items that are the final selection.
- (d)** The number of steps required to choose the desired option should be consistent with the frequency, importance, and urgency of the flight crew's task.
- (e)** When a menu is displayed it should not obscure required information.

(3) Full-time vs Part-time Display of Information. Some aeroplane parameters or status indications are required to be displayed by the specifications (for example, powerplant information required by CS 25.1305), yet they may only be necessary or required in certain phases of flight. If it is desired to inhibit some parameters from full-time display, a usability level and functionality equivalent to a full-time display should be demonstrated.

- (a)** When determining if information on a display can be part-time, consider the following criteria:
- Continuous display of the parameter is not required for safety of flight in all normal flight phases.

- The parameter is automatically displayed in flight phases where it is required, when its value indicates an abnormal condition, or when it would be relevant information during a failure condition.
- Display of the inhibited parameter can be manually selected by the flight crew without interfering with the display of other required information.
- If the parameter fails to be displayed when required, the failure effect and compounding effects must meet the specifications of all applicable specifications (for example, CS 25.1309).
- The automatic or requested display of the inhibited parameter should not create unacceptable clutter on the display. Also, simultaneous multiple "pop-ups" should not create unacceptable clutter on the display.
- If the presence of a new parameter is not sufficiently self-evident, suitable alerting or other annunciations should accompany the automatic presentation of the parameter.

(b) Pop-up Display of Information

- 1 Certain types of information, such as terrain and TCAS, are required by operating rules to be displayed, yet they are only necessary or required in certain phases of flight (similar to the part-time display of required aeroplane parameters, (see paragraph 36b(3) of this chapter)) or under specific conditions. One method commonly employed to display this information is called "automatic pop-up." Automatic pop-ups may be in the form of an overlay, such as a TCAS overlay on the moving map, or in a separate window as a part of a display format. Pop-up window locations should not obscure required information.
- 2 Consider the following criteria for displaying automatic pop-up information:
 - Information is automatically displayed when its value indicates a predetermined condition, or when the associated parameter reaches a predetermined value.
 - Pop-up information should appropriately attract the flight crew's attention while minimising task disruption.
 - If the flight crew deselects the display of the automatic pop-up information, then another automatic pop-up should not occur until a new condition/event causes it.
 - If an automatic pop-up condition is activated and the system is in the wrong configuration or mode to display the information, and the system configuration cannot be automatically changed, then an annunciation should be displayed in the colour associated with the nature of the alert, prompting the flight crew to make the necessary changes for the display of the information. This guidance differs from the part-time display of information required by CS-25 because the required information should be displayed regardless of the configuration.
 - If a pop-up(s) or simultaneous multiple pop-ups occur and obscure information, it should be shown that the obscured information is not relevant or necessary for the current flight crew task. Additionally, the pop-ups should not cause a misleading presentation.
 - If more than one automatic pop-up occurs simultaneously on one display area, for example a terrain and TCAS pop-up, then the system should prioritise the pop-up events based on their criticality. Pop-up display orientation should be in track-up or heading-up.
 - Any information to a given system that is not continuously displayed, but the safety assessment determines it is necessary to be presented to the flight

crew, should automatically pop-up or otherwise indicate that its display is required.

d. Managing Display Configuration. The following paragraphs address managing the information presented by an electronic display system and its response to failure conditions and flight crew selections. The following paragraphs also provide guidance on the acceptability of display formats and their required physical location on the flight deck, both during normal flight and in failure modes. Manual and automatic system reconfiguration and source switching are also addressed.

- (1) **Normal Conditions.** In normal conditions (that is, non-failure conditions) there may be a number of possible display configurations that may be selected manually or automatically. All possible display configurations available to the flight crew should be designed and evaluated for arrangement, visibility, and interference.
 - (2) **System Failure Conditions (Reconfiguration).** The following paragraphs provide guidance on manual and automatic display system reconfiguration in response to display system failures. Arrangement and visibility specifications also apply in failure conditions. Alternative display locations used in non-normal conditions should be evaluated by the Agency to determine if the alternative locations meet the criteria for acceptability.
 - (a) Moving display formats to different display locations on the flight deck or using redundant display paths to drive display information is acceptable to meet availability and integrity specifications.
 - (b) In an instrument panel configuration with a display unit for primary flight information positioned above a display unit for navigation information, it is acceptable to move the primary flight information to the lower display unit if the upper display unit fails.
 - (c) In an instrument panel configuration with a display unit for primary flight information positioned next to a display unit for navigation information, it is acceptable to move the primary flight information to the display unit directly adjacent to it if the preferred display unit fails. It is also acceptable to switch the navigation information to a centrally located auxiliary display (multi-function display).
 - (d) If several possibilities exist for relocating the failed display, a recommended flight crew procedure should be considered and documented in the aeroplane flight manual.
 - (e) It is acceptable to have manual or automatic switching capability (automatic switching is preferred) in case of system failure; however, the ARAC recommendation for revising § 25.1333(b) requires that the equipment, systems, and installations must be designed so that sufficient information is available to assure control of the aeroplane's airspeed, altitude, heading, and attitude by one of the pilots without additional flight crew action, after any single failure or combination of failures that is not assessed to be extremely improbable.
 - (f) The following means to reconfigure the displayed information are acceptable:
 - Display unit reconfiguration. Moving a display format to a different location (for example, moving the primary flight information to the adjacent display unit) or the use of a compacted format may be acceptable.
 - Source/graphic generator reconfiguration. The reconfiguration of graphic generator sources either manually or automatically to accommodate a failure may be acceptable. In the case where both the captain and first officer's displays are driven by a single graphic generator source, there should be clear, cautionary alerting to the flight crew that the displayed information is from a single graphic generator source.
- 1 In certain flight phases, manual reconfiguration may not satisfy the need for the pilot controlling the aeroplane to recover primary flight information without delay. Automatic reconfiguration might be necessary to ensure the timely availability of information that requires immediate flight crew member action.

- 2 When automatic reconfiguration occurs (for example, display transfer), it should not adversely affect the performance of the flight crew and should not result in any trajectory deviation.
- 3 When the display reconfiguration results in the switching of sources or display paths that is not annunciated and is not obvious to the flight crew, care should be taken that the flight crew is aware of the actual status of the systems when necessary, depending on flight deck philosophy.

e. Methods of Reconfiguration

(1) Compacted Format

- (a) The term "compacted format", as used in this AMC, refers to a reversionary display mode where selected display components of a multi-display configuration are combined in a single display format to provide higher priority information following a display failure. The "compacted format" may be automatically selected in case of a primary display failure, or it may be manually (automatic selection preferred) selected by the flight crew. Except for training purposes, the "compacted format" should not be selectable unless there is a display failure. The concepts and specifications of CS 25.1321, as discussed in paragraph 36(b)(3) of this chapter, still apply.
- (b) The compacted display format should maintain the same display attributes (colour, symbol location, etc.) and include the same required information, as the primary formats it is replacing. The compacted format should ensure the proper operation of all the display functions it presents, including annunciation of navigation and guidance modes, if present. However, due to size constraints and to avoid clutter, it may be necessary to reduce the amount of display functions on the compacted format. For example, in some cases, the use of numeric readouts in place of graphical scales has been found to be acceptable. Failure flags and mode annunciations should, wherever possible, be displayed in a location common with the normal format.

(2) Sensor Selection and Annunciation

- (a) Automatic switching of sensor data to the display system should be considered, especially with highly integrated display systems to address those cases where multiple failure conditions may occur at the same time and require immediate flight crew action. Manual switching may be acceptable.
- (b) Independent attitude, direction, and air data sources are required for the captain and first officer's displays of primary flight information (see CS 25.1333). If sources can be switched such that the captain and first officer are provided with single sensor information, each of them should receive a clear annunciation indicating the vulnerability to misleading information.
- (c) If sensor information sources cannot be switched, then no annunciation is required.
- (d) There should be a means of determining the source of the displayed navigation information and the active navigation mode. For approach operations the source of the displayed navigation information and the active navigation mode should be available on the primary flight display or immediately adjacent to the primary flight display.
- (e) The selected source should be annunciated if multiple or different types of navigation sources (flight management system, instrument landing system, GNSS (global navigation satellite system) landing system, etc.) can be selected (manually or automatically).
- (f) An alert should be given when the information presented to the flight crew is no longer meeting the required integrity level, in particular when there is a single sensor or loss of independence.

37. – 40. [RESERVED]

CHAPTER 7

ELECTRONIC DISPLAY SYSTEM CONTROL DEVICES

- 41. General.** Each electronic display system control device has characteristics unique to its operation that need to be considered when designing the functions the display system controls, and the redundancy provided during failure modes. Despite the amount of redundancy that may be available to achieve a given task, the flight deck should still present a consistent user interface scheme for the primary displays and a compatible, if not consistent, user interface scheme for auxiliary displays throughout the flight deck.
- a. Multi-function Control Labels.** Multi-function controls should be labelled such that the pilot is able to:
- Rapidly, accurately, and consistently identify and select all functions of the control device.
 - Quickly and reliably identify what item on the display is “active” as a result of cursor positioning, as well as what function will be performed if the item is selected using the selector buttons and/or changed using the multi-function control.
 - Determine quickly and accurately the function of the control without extensive training or experience.
- b. Multi-function Controls.** The installation guidelines below apply to control input devices that are dedicated to operating a specific function (for example, control knobs and wheels), as well as new control features (for example, a cursor control device (CCD)).
- (1) “Hard” Controls**
- (a)** Mechanical controls used to set numeric data on a display should have adequate friction or tactile detents to allow a flight crew without extensive training or experience to set values (for example, setting an out-of-view heading bug to a displayed number) to a required level of accuracy within a time appropriate to the task.
- (b)** The input for display response gain to control should be optimised for gross motion as well as fine positioning tasks without overshoots. In accordance with CS 25.777(b), the direction of movement of the cockpit controls must meet the specifications of CS 25.779. Wherever practicable, the sense of motion involved in the operation of other controls must correspond to the sense of the effect of the operation on the aeroplane or on the part operated. Controls of a variable nature using a rotary motion must move clockwise from the off position, through an increasing range, to the full on position.
- (2) “Soft” Controls**
- (a)** There are two interactive types of soft control displays, one type affects aeroplane systems and the other type does not. Displays that utilize a graphical user interface (GUI) permit information within different display areas to be directly manipulated by the flight crew (for example, changing range, scrolling crew alert messages or electronic checklists, configuring windows, or layering information.) This level of display interaction affects only the presentation of display information and has a minimal effect on flight deck operations. The other level of display interaction provides a GUI to control aeroplane system operations (for example, utility controls on displays traditionally found in overhead panel functions, FMS operations, and graphical flight planning).

- (b) The design of display systems that will be used as soft controls is dependent on the functions they control. Consider the following guidelines when designing these display systems:
- 1 The GUI and control device should be compatible with the aeroplane system they will control. The hardware and software design assurance levels and tests for the GUI and control device should be commensurate with the level of criticality of the aeroplane system they will control.
 - 2 Redundant methods of controlling the system may lessen the criticality required of the display control. Particular attention should be paid to the interdependence of display controls (that is, vulnerability to common mode failures), and to the combined effects of the loss of control of multiple systems and functions.
 - 3 The applicant should demonstrate that the failure of any display control does not unacceptably disrupt operation of the aeroplane (that is the allocation of flight crew member tasks) in normal, non-normal, and emergency conditions.
 - 4 To show compliance with CS 25.777(a) and CS 25.1523, the applicant should show that the flight crew can conveniently access required and backup control functions in all expected flight scenarios, without impairing aeroplane control, flight crew task performance, and flight crew resource management.
 - 5 Control system latency and gains can be important in the acceptability of a display control. Usability testing should therefore accurately replicate the latency and control gains that will be present in the actual aeroplane.
 - 6 The final display response to control input should be fast enough to prevent undue concentration being required when the flight crew sets values or display parameters CS 25.771(a)). The initial indication of a response to a soft control input should take no longer than 250 milliseconds. If the initial response to a control input is not the same as the final expected response, a means of indicating the status of the pilot input should be made available to the flight crew.
 - 7 To show compliance with CS 25.771(e) the applicant should show by test and/or demonstration in representative motion environment(s) (for example, turbulence) that the display control is acceptable for controlling all functions that the flight crew may access during these conditions.

c. Cursor Control Devices

When the input device controls cursor activity on a display, it is called a cursor control device (CCD). The CCDs are used to position display cursors on selectable areas of the displays. These selectable areas are “soft controls” intended to perform the same functions as mechanical switches or other controls on conventional control panels. Typically, CCDs control several functions and are the means for directly selecting display elements. When designing CCDs, in addition to the guidance provided in paragraphs 41a, 41b, and 41d of this chapter, consider the guidance in the following paragraphs, which address design considerations unique to CCDs.

- (1) The CCD design and installation should enable the flight crew to operate the CCD without exceptional skill during foreseeable flight conditions, both normal and adverse (for example, turbulence and vibrations). Certain selection techniques, such as double or triple clicks, should be avoided.
- (2) The safety assessment should address reversion to alternate means of control following loss of the CCD. This includes an assessment on the impact of the failure on flight crew workload.
- (3) The functionality of the CCD should be demonstrated with respect to the flight crew interface considerations outlined below:

- (a) The ability of the flight crew to share tasks, following CCD failure, with appropriate workload and efficiency.
- (b) The ability of the flight crew to use the CCD with accuracy and speed of selection required of the related tasks, under foreseeable operating conditions (for example, turbulence, engine imbalance, and vibration).
- (c) Satisfactory flight crew task performance and CCD functionality, whether the CCD is operated with a dominant or non-dominant hand.
- (d) Hand stability support position (for example, wrist rest).
- (e) Ease of recovery from incorrect use.

d. Cursor Displays

- (1) The cursor symbol should be restricted from areas of primary flight information or where occlusion of display information by a cursor could result in misinterpretation by the flight crew. If a cursor symbol is allowed to enter a critical display information field, it should be demonstrated that the cursor symbol's presence will not cause interference during any phase of flight or failure condition.
- (2) Because the cursor is a directly controllable element on the display it has unique characteristics. Consider the following when designing a cursor display:
 - (a) Presentation of the cursor should be clear, unambiguous, and easily detectable in all foreseeable operating conditions.
 - (b) The failure mode of an uncontrollable and distracting display of the cursor should be evaluated.
 - (c) Because in most applications more than one flight crew member will be using one cursor, the applicant should establish an acceptable method for handling "duelling cursors" that is compatible with the overall flight deck philosophy (for example, "last person on display wins"). Acceptable methods should also be established for handling other possible scenarios, including the use of two cursors by two pilots.
 - (d) If more than one cursor is used on a display system, a means should be provided to distinguish between the cursors.
 - (e) If a cursor is allowed to fade from a display, some means should be employed for the flight crew to quickly locate it on the display system. Common examples of this are "blooming" or "growing" the cursor to attract the flight crew's attention.

42. – 45. [RESERVED]

CHAPTER 8

SHOWING COMPLIANCE FOR APPROVAL OF ELECTRONIC DISPLAY SYSTEMS

46. Compliance Considerations (Test and Compliance)

- a. **General.** This chapter provides guidance for demonstrating compliance to the specifications for the approval of electronic flight deck displays. Since so much of display system compliance is dependent on subjective evaluations, this chapter focuses on providing specific guidance that facilitates these types of evaluations.

b. Means of Compliance

- (1) The acceptable means of compliance for a display system depends on many factors and is determined on a case-by-case basis. For example, when the proposed display system technology is mature and well understood, means such as analogical reasoning documented as a Statement of Similarity may be sufficient. However, more rigorous and structured methods, such as analysis and flight test, are appropriate if the proposed display system design is deemed novel, complex, or highly integrated.
- (2) The acceptable means of compliance depends on other factors as well. These include the subjectivity of the acceptance criteria and the evaluation facilities of the applicant (for example, high-fidelity flight simulators) and the manner in which these facilities are used (for example, data collection).
- (3) When subjective criteria are used to satisfy a means of compliance, the subjective data should be collected from multiple people (including pilots, engineers, and human factor specialists.)
- (4) The following guidance describes means of compliance for electronic displays:

(a) System Descriptions

- 1 System descriptions may include system architecture, description of the layout and general arrangement of the flight deck, description of the intended function, flight crew interfaces, system interfaces, functionality, operational modes, mode transitions, and characteristics (for example dynamics of the display system), and applicable specifications addressed by this description. Layout drawings and/or engineering drawings may show the geometric arrangement of hardware or display graphics. Drawings typically are used in cases where showing compliance to the specifications can easily be reduced to simple geometry, arrangement, or the presence of a given feature on the drawing.
- 2 **The following questions may be used to evaluate whether the description of intended function is sufficiently specific and detailed:**
 - Does each system, feature, and function have a stated intended function?
 - What assessments, decisions, or actions are the flight crew members intended to make based on the display system?
 - What other information is assumed to be used in combination with the display system?
 - What is the assumed operational environment in which the equipment will be used? For example, the pilots' tasks and operations within the flight deck, phase of flight, and flight procedures.

(b) Statement of Similarity. This is a substantiation to demonstrate compliance by a comparison to a previously approved display (system or function). The comparison details the physical, logical, and functional and operational similarities of the two systems. Substantiation data from previous installations should be provided for the comparison. This method of compliance should be used with care because the flight deck should be evaluated as a whole, rather than merely as a set of individual functions or systems. For example, display functions that have been previously approved on different programmes may be incompatible when applied to another flight deck. Also, changing one feature in a flight deck may necessitate corresponding changes in other features, in order to maintain consistency and prevent confusion (for example, use of colour).

(c) Calculation & Engineering Analyses. These include assumptions of relevant parameters and contexts, such as the operational environment, pilot population, and

pilot training. Examples of calculations and engineering analyses include human performance modelling of optical detections, task times, and control forces. For analyses that are not based on advisory material or accepted industry standards, validation of calculations and engineering analyses using direct participant interaction with the display should be considered.

- (d) Evaluation.** This is an assessment of the design conducted by the applicant, who then provides a report of the results to the Agency. Evaluations typically use a display design model that is more representative of an actual system than drawings. Evaluations have two defining characteristics that distinguish them from tests: (1) the representation of the display design does not necessarily conform to the final documentation, and (2) the Agency may or may not be present. Evaluations may contribute to a finding of compliance, but they generally do not constitute a finding of compliance by themselves.
- 1 Evaluations may begin early in the certification programme. They may involve static assessments of the basic design and layout of the display, part-task evaluations and/or, full task evaluations in an operationally representative environment (environment may be simulated). A wide variety of development tools may be used for evaluations, from mock-ups to full installation representations of the actual product or flight deck.
 - 2 In cases where human subjects (typically pilots) are used to gather data (subjective or objective), the applicant should fully document the process used to select subjects, the subjects' experience, the type of data collected, and the method(s) used to collect the data. The resulting information should be provide to the Agency as early as possible to obtain agreement between the applicant and the Agency on the extent to which the evaluations are valid and relevant for certification credit. Additionally, credit will depend on the extent to which the equipment and facilities actually represent the flight deck configuration and realism of the flight crew tasks.
- (e) Test.** This means of compliance is conducted in a manner very similar to evaluations (see above), but is performed on conformed systems (or conformed items relevant to the test), in accordance with an approved test plan, and may be witnessed by the Agency. A test can be conducted on a test bench, in a simulator, and/or on the actual aeroplane, and is often more formal, structured, and rigorous than an evaluation.
- 1 Bench or simulator tests that are conducted to show compliance should be performed in an environment that adequately represents the aeroplane environment, for the purpose of those tests.
 - 2 Flight tests should be used to validate and verify data collected from other means of compliance such as analyses, evaluations, and simulations. Per CS 25.1523, during the certification process, the flight crew workload assessments and failure classification validations should be addressed in a flight simulator or an actual aeroplane, although the assessments may be supported by appropriate analyses (see CS-25 Appendix D, for a description of the types of analyses).

47. – 50. [RESERVED]

CHAPTER 9

CONTINUED AIRWORTHINESS AND MAINTENANCE

51. Continued Airworthiness and Maintenance. The following paragraphs provide guidance for preparing instructions for the continued airworthiness of the display system and its components to show

compliance with CS 25.1309 and CS 25.1529 (including Appendix H), which require preparing Instructions for Continued Airworthiness. The following guidance is not a definitive list, and other maintenance tasks may be developed as a result of the safety assessment, design reviews, manufacturer's recommendations, and Maintenance Steering Group (MSG)-3 analyses that are conducted.

- a. **General.** Information on preparing the Instructions for Continued Airworthiness can be found in CS-25 Appendix H. In addition to those instructions, maintenance procedures should be considered for:
 - (1) Reversionary switches not used in normal operation. These switches should be checked during routine maintenance because, if a switch failure is not identified until the aeroplane is in flight, the switching or back up display/sensor may not be available when required. These failures may be addressed by a System Safety Assessment and should be addressed in the aeroplane's maintenance programme (for example, MSG-3).
 - (2) Display cooling fans and filters integral with cooling ducting.
- b. **Design for Maintainability.** The display system should be designed to minimise maintenance error and maximise maintainability.
 - (1) The display mounting, connectors, and labelling, should allow quick, easy, safe, and correct access for identification, removal and replacement. Means should be provided (for example, using physically coded connectors) to prevent inappropriate connections of system elements.
 - (2) If the system has the capability of providing information on system faults (for example diagnostics) to maintenance personnel, it should be displayed in text instead of coded information.
 - (3) If the flight crew needs to provide information to the maintenance personnel (for example overheat warning), problems associated with the display system should be communicated to the maintenance personnel as appropriate, relative to the task and criticality of the information displayed.
 - (4) The display components should be designed so they can withstand cleaning without internal damage, scratching and/or crazing (cracking).
- c. **Maintenance of Display Characteristics**
 - (1) Maintenance procedures may be used to ensure that the display characteristics remain within the levels presented and accepted at certification.
 - (2) Experience has shown that display quality may degrade with time and become difficult to use. Examples include lower brightness/contrast; distortion or discolouration of the screen (blooming effects); and areas of the screen that may not display information properly.
 - (3) Test methods and criteria may be established to determine if the display system remains within acceptable minimum levels. Display system manufacturers may alternatively provide "end of life" specifications for the displays which could be adopted by the aeroplane manufacturer.

52. – 60. [RESERVED]

Appendix 1

Primary Flight Information

This appendix provides additional guidance for displaying primary flight information. Displaying primary flight information is required by CS 25.1303(b) and CS 25.1333(b). The specifications for arranging primary flight information are specified in CS 25.1321(b).

1.1 Attitude

Pitch attitude display scaling should be such that during normal manoeuvres (for example, approach or climb at high thrust-to-weight ratios) the horizon remains visible in the display with at least 5 degrees pitch margin available.

An accurate, easy, quick-glance interpretation of attitude should be possible for all unusual attitude situations and other “non-normal” manoeuvres sufficient to permit the pilot to recognise the unusual attitude and initiate an appropriate recovery within one second. Information to perform effective manual recovery from unusual attitudes using chevrons, pointers, and/or permanent ground-sky horizon on all attitude indications is recommended.

Both fixed aeroplane reference and fixed earth reference bank pointers (“ground and/or sky” pointers) are acceptable as a reference point for primary attitude information. A mix of these types in the same flight deck is not recommended.

There should be a means to determine the margin to stall and to display that information when necessary. For example, a pitch limit indication is acceptable.

There should be a means to identify an excessive bank angle condition prior to stall buffet.

Sideslip should be clearly indicated to the flight crew (for example, a split trapezoid on the attitude indicator) and an indication of excessive sideslip should be provided.

1.2 Continued Function of Primary Flight Information (Including Standby) in Conditions of Unusual Attitudes or in Rapid Manoeuvres

Primary flight information must continue to be displayed in conditions of unusual attitudes or in rapid manoeuvres (CS 25.1301). The pilot must also be able to rely on primary or standby instrument information for recovery in all attitudes and at the highest pitch, roll, and yaw rates that may be encountered (CS 25.1301).

In showing compliance with the specifications of CS 25.1301(a), CS 25.1309(a), CS 25.1309(b) and CS 25.1309(c), the analysis and test programme must consider the following conditions that might occur due to pilot action, system failures, or external events:

- Abnormal attitude (including the aeroplane becoming inverted);
- Excursion of any other flight parameter outside protected flight boundaries; or
- Flight conditions that may result in higher than normal pitch, roll, or yaw rates.

For each of the conditions identified above, primary flight displays and standby indicators must continue to provide useable attitude, altitude, airspeed and heading information and any other information that the pilot may require to recognise and execute recovery from the unusual attitude and/or arrest the higher than normal pitch, roll, or yaw rates (CS 25.1301).

2.1 Airspeed and Altitude

Airspeed and altitude displays should be able to convey to the flight crew a quick-glance sense of the present speed or altitude. Conventional round-dial moving pointer displays inherently give some of this sense that may be difficult to duplicate on moving scales. Scale length is one attribute related to this quick-glance capability. The minimum visible airspeed scale length found acceptable for moving scales has been 80 knots; since this minimum is dependent on other scale attributes and aeroplane operational speed range, variations from this should be verified for acceptability. A displayed altitude that is geometrically derived should be easily discernable from the primary altitude information, which is barometrically derived altitude. To ensure the pilot can easily discern the two, the label "GSL" should be used to label geometric height above mean sea level.

Airspeed reference marks (bugs) on conventional airspeed indicators perform a useful function by providing a visual reminder of important airspeed parameters. Including bugs on electronic airspeed displays is encouraged. Computed airspeed/angle-of-attack bugs such as V_{stall} warning, V_1 , V_R , V_2 , flap limit speeds, etc., displayed on the airspeed scale should be evaluated for accuracy. The design of an airspeed indicator should include the capability to incorporate a reference mark that will reflect the current target airspeed of the flight guidance system. This has been required in the past for some systems that have complex speed selection algorithms, in order to give the flight crew adequate information for system monitoring as required by CS 25.1309(c).

Scale units marking for air data displays incorporated into primary flight displays are not required ("knots," "airspeed" for airspeed, "feet," "altitude" for altimeters) as long as the content of the readout remains clear. For altimeters with the capability to display both English and Metric units, the scale and primary present value readout should remain scaled in English units with no units marking required; the Metric display should consist of a separate present value readout that does include units marking.

Airspeed scale markings such as stall warning, maximum operation speed/maximum operating mach number, or flap limits, should be displayed to provide the flight crew a quick-glance sense of speed relative to key targets or limits. The markings should be predominant enough to confer the quick-glance sense information, but not so predominant as to be distracting when operating normally near those speeds (for example, stabilised approach operating between stall warning and flap limit speeds).

If airspeed trend or acceleration cues are associated with the speed scale, vertically oriented moving scale airspeed indications should have higher numbers at the top so that increasing energy or speed results in upward motion of the cue. Speed, altitude, or vertical rate trend indicators should have appropriate hysteresis and damping to be useful and non-distracting, however, damping may result in erroneous airspeed when accelerating. In this case, it may be necessary to use acceleration data in the algorithms to compensate for the error. The evaluation should include turbulence expected in service.

For acceptable means of compliance and guidance material on instrument graduations and markings, refer to the latest ETSOs and list of approved deviations on the Agency's website (www.easa.europa.eu).

Altimeters present special design problems in that: (1) the ratio of total usable range to required resolution is a factor of 10 greater than for airspeed or attitude, and (2) the consequences of losing sense of context of altitude can be detrimental. The combination of altimeter scale length and markings, therefore, should be adequate to allow sufficient resolution for precise manual altitude tracking in level flight, as well as enough scale length and markings to reinforce the flight crew's sense of altitude and to allow sufficient look-ahead room to adequately predict and accomplish level-off. When providing low altitude awareness, it may be helpful to include radio altimeter information on the scale so that it is visually related to the ground position.

2.2 Airspeed and Altitude for HUD

To reduce display clutter, during the precision approach phase of flight, HUD formats have been accepted that provide an alphanumeric-only display of airspeed and altitude. Acceptance of these display formats is predicated on the unique characteristics of the precision approach operation and the availability of compensating features for the lack of visual awareness of high and low speed limits.

The compensating features for HUD formats that provide an alphanumeric-only display of airspeed and altitude is that the information display should also provide clear and distinct alerts to the flight crew when

these and any other required parameters exceed well defined tolerances around the nominal approach range, and when these alerts have associated procedures that require the termination of the approach. Previously accepted display formats also included effective cues for acceleration and speed deviation so that the pilot could manually achieve tight speed control to preclude unintended proximity to low speed limits. When an alphanumeric-only indication of airspeed and altitude HUD format is displayed, there should still remain an overall awareness of the following indications:

- Airspeed/altitude,
- Airspeed/altitude trends,
- Deviations from selected airspeed/altitude targets,
- Low and high airspeed limits, and
- Selected airspeed/altitude setting changes.

2.3 Low and High Speed Awareness Cues

CS 25.1541(a)(2) states: “The aeroplane must contain – Any additional information, **instrument markings**, and placards required for the safe operation if there are unusual design, operating, or handling characteristics”. The CS-25 certification specifications related to instrument systems and their markings were not developed with modern day electronic displays in mind; consequently, these electronic displays are considered an “unusual design characteristic” per CS 25.1541(a)(2), and may require additional marking to warrant safe operation. In particular, it is considered necessary to incorporate additional markings on electronic airspeed displays in the form of low and high speed awareness cues to provide pilots the same type of “quick glance” airspeed awareness that was an intrinsic feature of round dial instruments.

Low speed awareness cues should provide adequate visual cues to the pilot that the airspeed is below the reference operating speed for the aeroplane configuration (that is, weight, flap setting, landing gear position, etc.); similarly, high speed awareness cues should provide adequate visual cues to the pilot that the airspeed is approaching an established upper limit that may result in a hazardous operating condition. Consider the following guidance when developing airspeed awareness cues:

- Take into account all independent parameters that may affect the speed against which protection is being provided. This is most important in the low speed regime where all large aeroplanes have a wide range of stall speeds due to multiple flap/slat configurations and potentially large variations in gross weight.
- The cues should be readily distinguishable from other markings such as V-speeds and speed targets (bugs). The cues should indicate not only the boundary value of the speed limit, but must clearly distinguish between the normal speed range and the unsafe speed range beyond those limiting values (CS 25.1545). Since the moving scale display does not provide any inherent visual cue of the relationship of present airspeed to low or high airspeed limits, many electronic displays utilize an amber and red bar adjacent to the airspeed tape to provide this quick-glance low/high speed awareness. The preferred colours to be used are amber or yellow to indicate that the airspeed has decreased below a reference speed that provides adequate manoeuvre margin, changing to red at the stall warning speed. The speeds at which the low speed awareness bands start should be chosen as appropriate to the aeroplane configuration and operational flight regime. For example, low speed awareness cues for approach and landing should be shown starting at V_{REF} with a tolerance of +0 and –5 knots. Some Agency approved systems use a pilot selectable operating speed “bug” at V_{REF} supplemented by system-computed low speed cues that vary in colour as airspeed decreases below certain multiples of the appropriate stall speed (for example, white below $1.3V_S$, amber below $1.2V_S$, and red below $1.1V_S$). Consider the specific operating needs of other flight regimes when developing the criteria for the associated visual cue.
- Low speed awareness displays should be sensitive to load factor (g-sensitive) to enable the pilot to maintain adequate manoeuvre margins above stall warning in all phases of flight. The accuracy of this g-sensitivity function should be verified by flight tests. Flight tests should also be conducted in manoeuvring flight and expected levels of turbulence to evaluate proper functioning of any damping

routines incorporated into the low speed awareness software; the level of damping should preclude nuisance/erratic movement of the low speed cues during operation in turbulence but not be so high that it inhibits adequate response to accurately reflect changes in margins to stall warning and stall during manoeuvring flight.

- High speed awareness should be provided to prevent inadvertent excursions beyond limit speeds. Symbology should be provided to permit easy identification of flap and landing gear speed limits. A visual cue should be incorporated to provide adequate awareness of proximity to V_{MO} ; this awareness has been provided by amber bands, similar to the previously discussed low speed cues, and instantaneous airspeed displays that turn amber (or flash amber digits) as the closure rate to V_{MO} increases beyond a value that still provides adequate time for pilot corrective action to be taken without exceeding the limit speed.
- The display requirements for airspeed awareness cues are in addition to other alerts associated with exceeding high and low speed limits, such as the stick shaker and aural overspeed warning.

3. Vertical Speed

The display range of vertical speed (or rate of climb) indications should be consistent with the climb/descent performance capabilities of the aeroplane. If the resolution advisory (RA) is integrated with the primary vertical speed indication, the range of vertical speed indication should be sufficient to display the red and green bands for all TCAS RA information.

4. Flight Path Vector or Symbol

The display of flight path vector (FPV or velocity vector) or flight path angle (FPA) cues on the primary flight display is not required, but may be included in many designs.

The FPV symbol can be especially useful on HUD applications. The FPV display on the HUD should be conformal with the outside view when the FPV is within the HUD field of view. During flight situations with large bank, pitch, and/or wind drift angles; the movement of the FPV may be limited by the available display field-of-view. In some designs, the pilot can manually cage the FPV which restricts its motion to the vertical axis, thereby making it an FPA.

The FPV or FPA indication may also be displayed on the HDD. In some HDD and most HUD applications, the FPV or FPA is the primary control and tracking cue for controlling the aeroplane during most phases of flight. Even though an FPV or FPA indication may be used as a primary flight control parameter, the attitude pitch and roll symbols (that is, waterline or boresight and pitch scale) which are still required primary indications by § 25.1303 must still be prominently displayed. In dynamic situations, such as during recovery from an unusual attitude, constant availability of attitude indications is required.

If the FPV/FPA is used as the primary means to control the aeroplane in pitch and roll, the FPV/FPA system design should allow pilots to control and manoeuvre the aeroplane with a level of safety that is at least equal to traditional designs based on attitude (CS 25.1333(b)).

There may be existing aeroplane designs where the HUD provides a FPV presentation and the HDD provides a FPA presentation. However, mixture of the two different presentations is not recommended due to possible misinterpretation by the flight crew. The designs that were accepted were found to have the following characteristics: correlation between the HUD FPV display and the primary flight display FPA display; consistent vertical axis presentation of FPV/FPA; and pilots' ability to interpret and respond to the FPV and FPA similarly.

It should be easy and intuitive for the pilot to switch between FPV/FPA and attitude when necessary. The primary flight display of FPV/FPA symbology must not interfere with the display of attitude and there must always be attitude symbology at the top centre of the pilot's primary field of view, as required by CS 25.1321.

Aeroplane designs which display flight path symbology on the HUD and the HDD should use consistent symbol shapes (that is, the HUD FPV symbol looks like the HDD FPV).

In existing cases where an FPV is displayed head up and an FPA head down on an aeroplane, the symbols for each should not have the same shape. When different types of flight path indications may be displayed as head up and/or head down, the symbols should be easily distinguished to avoid any misinterpretation by the flight crew. A mixture of the two types of flight path indications is not recommended due to possible misinterpretation by the flight crew.

The normal FPV, the field-of-view limited FPV, and the caged FPV should each have a distinct appearance, so that the pilot is aware of the restricted motion or non-conformality.

Implementation of air mass-based FPV/FPA presentations should account for inherent limitations of air mass flight path computations.

Flight directors should provide some lateral movement to the lateral flight director guidance cue during bank commands.

To show compliance with CS 25.1301(a), CS 25.1303(b)(5), and CS 25.143(b), the FPV/FPA FD design must:

1. Not have any characteristics that may lead to oscillatory control inputs;
2. Provide sufficiently effective and salient cues to support all expected manoeuvres in longitudinal, lateral, and directional axes, including recovery from unusual attitudes; and
3. Not have any inconsistencies between cues provided on the HUD and HDD displays that may lead to pilot confusion or have adverse effects on pilot performance.

Performance and system safety requirements for flight guidance systems are found in the following advisory circulars:

Document Number	Title
AC 25.1329-1B	Approval of Flight Guidance Systems
AC 120-28D	Criteria for Approval of Category III Weather Minima for Take-off, Landing, and Rollout
AC 120-29A	Criteria for Approval of Category I and Category II Weather Minima for Approach

[Amdt No: 25/12]

Appendix 2

Powerplant Displays

1. General

At the time CS 25.1305 was adopted, flight deck powerplant displays were primarily a collection of dedicated, independent, full-time analogue “round dial” type instruments. Typically, there was one display for each required indication. Today, flight deck powerplant displays are primarily electronic displays integrated with other flight deck displays on a few relatively large electronic display spaces. Throughout this technological evolution, the Agency has used certification review items (CRIs) to assure that this new technology, with its increased potential for common faults and the challenges of effectively sharing display space, did not adversely impact the timely availability and independence of the powerplant information required to meet the intent of CS25.1305. This AMC provides some of that guidance material.

To comply with one of the provisions of CS 25.1305, a display should provide all the instrument functionality of a full-time, dedicated analogue type instrument as intended when the specification was adopted (see AC 20-88A, *Guidelines on the Marking of Aircraft*). The design flexibility and conditional adaptability of modern displays were not envisioned when CS 25.1305 and CS 25.1549 were initially adopted. In addition, the capabilities of modern control systems to automate and complement flight crew functions were not envisioned. In some cases these system capabilities obviate the need for a dedicated full-time analogue type instrument.

When making a compliance finding, all uses of the affected displays should be taken into consideration, including:

- (1) Flight deck indications to support the approved operating procedures (CS 25.1585),
- (2) Indications as required by the powerplant system safety assessments (CS 25.1309), and
- (3) Indications required in support of the instructions for continued airworthiness (CS 25.1529).

For example:

Compliance with CS 25.1305(c)(3) for the engine N2 rotor was originally achieved by means of a dedicated, full time analogue instrument. This provided the continuous monitoring capability required to:

- Support engine starting (for example, typically used to identify fuel on point);
- Support power setting (for example, sometimes used as primary or back up parameter);
- “Give reasonable assurance that those engine operating limitations that adversely affect turbine rotor structural integrity will not be exceeded in service” as required by CS 25.903(d)(2);
- Provide the indication of normal, precautionary, and limit operating values required by CS 25.1549; as well as
- Support detection of unacceptable deterioration in the margin to operating limits and other abnormal engine operating conditions as required to comply with CS 25.901, CS 25.1309, etc.

As technology evolved full authority digital engine controls (FADECs) were introduced. The FADECs were designed with the ability to monitor and control engine N2 rotor speed as required to comply with CS 25.903(d)(2). Additionally, engine condition monitoring programmes were introduced and used to detect unacceptable engine deterioration. Flight deck technology evolved such that indications could be displayed automatically to cover abnormal engine operating conditions. The combination of these developments obviated the need for a full time analogue N2 rotor speed indication, in accordance with the guidance found in Chapter 6, paragraph 36c(3) of this AMC.

2. Design Guidelines

Safety-related engine limit exceedances should be indicated in a clear and unambiguous manner. Flight crew alerting is addressed in CS 25.1322.

If an indication of significant thrust loss is provided it should be presented in a clear and unambiguous manner.

In addition to the failure conditions listed in Chapter 4 of this AMC, the following design guidelines should be considered:

1. For single failures leading to the non-recoverable loss of any indications on an engine, sufficient indications should remain to allow continued safe operation of the engine. (See CS 25.901(b)(2), CS 25.901(c), and CS 25.903(d)(2).)
2. No single failure could prevent the continued safe operation of more than one engine or require immediate action by any flight crew member for continued safe operation. (See CS 25.901(c), CS 25.903(b), and CS 25.1309(b).)
3. Engine indications needed during engine re-start should be readily available after an engine out event. (See CS 25.901(b)(2), CS 25.901(c), CS 25.903(d)(2), CS 25.903(e), CS 25.1301, CS 25.1305, CS 25.1309, and Chapter 6, paragraph 36c(3) of this AMC).

Appendix 3

Definitions

Air Mass System - An air mass-based system that provides a heading/airspeed/vertical velocity derived flight path presentation. It depicts the flight path through an air mass, will not account for air mass disturbances such as wind drift and windshear and, therefore, cannot be relied on to show the flight path relative to the earth's surface.

Alert – A generic term used to describe a flight deck indication meant to attract the attention of and identify to the flight crew a non-normal operational or aeroplane system condition. Warnings, Cautions, and Advisories are considered to be alerts.

Annunciation - A visual, auditory, or tactile stimulus used to attract a flight crew member's attention.

Architecture - The manner in which the components of a display or display system are organised and integrated.

Basic T - The arrangement of primary flight information as required by CS 25.1321(b); including attitude, airspeed, altitude, and direction information.

Brightness - The perceived or subjective luminance. This should not be confused with luminance.

Bugs - A symbol used to mark or reference other information such as heading, altitude, etc.

Catastrophic - Failure conditions that result in multiple fatalities, usually with the loss of the aeroplane. *(Note: In previous versions of CS 25.1309 and the associated advisory material a "catastrophic failure condition" was defined as a failure condition that would prevent continued safe flight and landing.)*

Chrominance - The quality of a display image that includes both luminance and chromaticity and is a perceptual construct subjectively assessed by the human observer.

Chromaticity - Colour characteristic of a symbol or an image defined by its u' , v' coordinates (See Commissions Internationale de L'Eclairage publication number 15.3, Colorimetry, 2004).

Clutter - Excessive number and/or variety of symbols, colours, or other information on a display that may reduce flight crew access or interpretation time, or decrease the probability of interpretation error.

Coasting Data - Data that is not updated for a defined period of time.

Coding - The use of assigning special meanings to some design element or characteristic (such as numbers, letters, symbols, auditory signals, colours, brightness, or variations in size) to represent information in a shorter or more convenient form.

Coding Characteristics - Readily identifiable attributes commonly associated with a design element that provide special meaning and differentiate the design elements from each other; for example size, shape, colour, motion, location, etc.

Colour Coding - The structured use of colour to convey specific information, call attention to information, or impose an organisational scheme on displayed information.

Command Information - Displayed information directing a control action.

Compact Mode - In display use, this most frequently refers to a single, condensed display presented in numeric format that is used during reversionary or failure conditions.

Conformal - Refers to displayed graphic information that is aligned and scaled with the outside view.

Contrast Ratio -

For HUD - Ratio of the luminance over the background scene (see SAE AS 8055).

For HDD - Ratio of the total foreground luminance to the total background luminance.

Criticality - Indication of the hazard level associated with a function, hardware, software, etc., considering abnormal behaviour (of this function, hardware, software) alone, in combination, or in combination with external events.

Design Eye Position - The position at each pilot's station from which a seated pilot achieves the required combination of outside visibility and instrument scan. The design eye position (DEP) is a single point selected by the applicant that meets the specifications of CS 25.773(d), CS 25.777(c), and CS 25.1321 for each pilot station. It is normally a point fixed in relation to the aircraft structure (neutral seat reference point) at which the midpoint of the pilot's eyes should be located when seated at the normal position. The DEP is the principal dimensional reference point for the location of flight deck panels, controls, displays, and external vision.

Display Element – A basic component of a display, such as a circle, line, or dot.

Display Refresh Rate - The rate at which a display completely refreshes its image.

Display Resolution - Size of the minimum element that can be displayed, expressed by the total number of pixels or dots per inch (or millimetre) of the display surface.

Display Response Time - The time needed to change the information from one level of luminance to a different level of luminance. Display response time related to the **intrinsic response** (time linked to the electro-optic effect used for the display and the way to address it).

Display Surface/Screen - The area of the display unit that provides an image.

Display System - The entire set of avionic devices implemented to display information to the flight crew. This is also known as an electronic display system.

Display Unit - Equipment that is located in the flight deck, in view of the flight crew, that is used to provide visual information. Examples include a colour head down display and a head up display projector and combiner.

Earth Referenced System - An inertial-based system which provides a display of flight path through space. In a descent, an earth-referenced system indicates the relationship between the flight path and the terrain and/or the artificial horizon.

Enhanced Flight Vision System (EFVS) - An electronic means to provide a display of the forward external scene topography (the natural or manmade features of a place or region, especially in a way to show their relative positions and elevation) through the use of imaging sensors such as millimetre wave radiometry, millimetre wave radar, and low light level image intensifying.

Enhanced Vision System (EVS) - An electronic means to provide a display of the forward external scene topography through the use of imaging sensors, such as forward looking infrared, millimetre wave radiometry, millimetre wave radar, and low light level image intensifying.

NOTE: An EFVS is an EVS that is intended to be used for instrument approaches under the provisions of 14 CFR 91.175 (l) and 91.175 (m), and must display the imagery with instrument flight information on a HUD.

Extremely Improbable - An extremely improbable failure condition is so unlikely that it is not anticipated to occur during the entire operational life of all aeroplanes of one type.

Extremely Remote - An extremely remote failure condition is not anticipated to occur to each aeroplane during its total life, but may occur a few times when considering the total operational life of all aeroplanes of that type.

Eye Reference Position (ERP) - A single spatial position located at or near the centre of the HUD Eye Box. The HUD ERP is the primary geometrical reference point for the HUD.

Failure - An occurrence which affects the operation of a component, part, or element, such that it can no longer function as intended (this includes both loss of function and malfunction).

NOTE: Errors may cause failures but are not considered to be failures.

Failure Condition - A condition having an effect on the aeroplane and/or its occupants, either direct or consequential, which is caused or contributed to by one or more failures or errors, considering flight phase and relevant adverse operational or environmental conditions, or external events.

Field of View - The angular extent of the display that can be seen by either pilot with the pilot seated at either pilots station.

Flicker - An undesired, rapid temporal variation in the display luminance of a symbol, group of symbols, or a luminous field. It can cause discomfort for the viewer (such as headaches and irritation).

Flight Deck Design Philosophy - A high level description of the design principles that guide the designer and ensure a consistent and coherent interface is presented to the flight crew.

Flight Path Angle (FPA) (also known as a Flight Path Symbol, Climb, Dive Angle, or “caged” (on the attitude indicator centreline) Flight Path Vector) - A dynamic symbol displayed on an attitude display that depicts the vertical angle relative to the artificial horizon, in the pitch axis, that the aeroplane is moving. A flight path angle is the vector resultant of the forward velocity and the vertical velocity. For most designs, the FPA is earth referenced, though some use air mass vectors. Motion of the FPA on the attitude display is in the vertical (pitch) axis only with no lateral motion.

Flight Path Vector (FPV) (also known as Velocity Vector or Flight Path Marker) - A dynamic symbol displayed on an attitude display that depicts the vector resultant of real-time flight path angle (vertical axis) and lateral angle relative to aeroplane heading created by wind drift and slip/skid. For most designs, the FPV is earth referenced, though some use air mass vectors which cannot account for wind effects

Foreseeable Conditions - The full environment that the display or the display system is assumed to operate within, given its intended function. This includes operating in normal, non-normal, and emergency conditions.

Format (See Figure A3-2) - An image rendered on the whole display unit surface. A format is constructed from one or more windows (see ARINC Specification 661).

FPV/FPA-referenced Flight Director (FD) - A HUD or HDD flight director cue in which the pilot “flies” the FPV/FPA cue to the FD command in order to comply with flight guidance commands. This is different from attitude FD guidance where the pilot “flies” the aeroplane (that is, pitch, boresight) symbol to follow pitch and roll commands.

Full-time Display - A dedicated continuous information display.

Functional Hazard Assessment - A systematic, comprehensive examination of aeroplane and system function to identify potential Minor, Major, Hazardous, and Catastrophic failure conditions that may arise as a result of malfunctions or failures to function.

Grey Scale - The number of incremental luminance levels between full dark and full bright.

Hazard - Any condition that compromises the overall safety of the aeroplane or that significantly reduces the ability of the flight crew to cope with adverse operating conditions.

Hazardous – A hazardous failure condition reduces the operation of the aeroplane or the ability of the flight crew to operate in adverse conditions to the extent that there would be:

- A large reduction in safety margins or functional capabilities;
- Physical distress or excessive workload such that the flight crew cannot be relied upon to perform their tasks accurately or completely; or
- Serious or fatal injury to a relatively small number of the occupants other than the flight crew.

Head Down Display (HDD) - A primary flight display located on the aeroplane's main instrument panel directly in front of the pilot in the pilot's primary field of view. The HDD is located below the windscreen and requires the flight crew to look below the glareshield in order to use the HDD to fly the aeroplane.

Head Mounted Display (HMD) – A special case of HUD mounted on the pilot's head. Currently, there are not any HMDs used in CS-25 installations, but guidance will be provided in the future, as needed.

Head Up Display (HUD) - A display system that projects primary flight information (for example, attitude, air data, guidance, etc.) on a transparent screen (combiner) in the pilot's forward field of view, between the pilot and the windshield. This allows the pilot to simultaneously use the flight information while looking along the forward path out the windshield, without scanning the head down displays. The flight information symbols should be presented as a virtual image focused at optical infinity. Attitude and flight path symbology needs to be conformal (that is, aligned and scaled) with the outside view.

HUD Design Eye Box - The three-dimensional area surrounding the design eye position, which defines the area, from which the HUD symbology and/or imagery are viewable.

Icon - A single, graphical symbol that represents a function or event.

Image Size - The viewing area (field) of the display surface.

- Direct View Display: The useful (or active) area of the display (for example, units cm x cm).
- Head Up Display: The total field of view (units usually in degrees x degrees).

(Total field of view defines the maximum angular extent of the display that can be seen by either eye allowing head motion within the eyebox (see SAE AS 8055).)

Indication - Any visual information representing the status of graphical gauges, other graphical representations, numeric data messages, lights, symbols, synoptics, etc. to the flight crew.

Information Update Rate - The rate at which new data is displayed or updated.

Interaction - The ability to directly affect a display by utilizing a graphical user interface (GUI) that consists of a control device (for example, a trackball), cursor, and "soft" display control that is the cursor target.

Latency - The time taken by the display system to react to a triggered event coming from an input/output device, the symbol generator, the graphic processor, or the information source.

Layer - A layer is the highest level entity of the Display System that is known by a User Application.

Luminance - Visible light that is emitted from the display. Commonly-used units: foot-lamberts, cd/m^2 .

Major - A major failure condition reduces the operation of the aeroplane or the ability of the flight crew to operate in adverse conditions to the extent that there would be, for example:

- A significant reduction in safety margins or functional capabilities;
- Physical discomfort or a significant increase in flight crew workload;
- Physical distress to passengers or cabin crew, possibly including injuries.

Menu - A list of display options available for selection.

Message - A communication that conveys an intended meaning such as an alerting or data link message.

Minor - A minor failure condition would not significantly reduce aeroplane safety and would involve crew actions well within their capabilities. Minor failure conditions may include:

- A slight reduction in safety margins or functional capabilities;
- A slight increase in crew workload (such as routine flight plan changes); or
- Some physical discomfort to passengers or cabin crew.

Misleading Information - Incorrect information that is not detected by the flight crew because it appears as correct and credible information under the given circumstances.

When incorrect information is automatically detected by a monitor resulting in an indication to the flight crew, or when the information is obviously incorrect, it is no longer considered misleading. The consequence of misleading information will depend on the nature of the information, and the given circumstances.

Mode - The functional state of a display and/or control system(s). A mode can be manually or automatically selected.

MSG-3 - Maintenance Steering Group 3. A steering group sponsored by the Airline Transportation Association whose membership includes representatives from the aviation industry and aviation regulatory authorities.

Occlusion - Visual blocking of one symbol by another, sometimes called occulting.

Partitioning - A technique for providing isolation between functionally independent software components to contain and/or isolate faults and potentially reduce the effort of the software verification process.

Pixel - A display picture element which usually consists of three (red, green, blue) sub-pixels (also called dots on a cathode ray tube).

Pixel Defect - A pixel that appears to be in a permanently on or off-state.

Primary Flight Displays - The displays used to present primary flight information.

Primary Field of View (FOV) (See Figure A3-1) - Primary Field-of-View is based on the optimum vertical and horizontal visual fields from the design eye reference point that can be viewed with eye rotation only using foveal or central vision. The description below provides an example of how this may apply to head-down displays.

With the normal line-of-sight established at 15 degrees below the horizontal plane, the values for the vertical (relative to normal line-of-sight forward of the aircraft) are +/-15 degrees optimum, with +40 degrees up and -20 degrees down maximum.

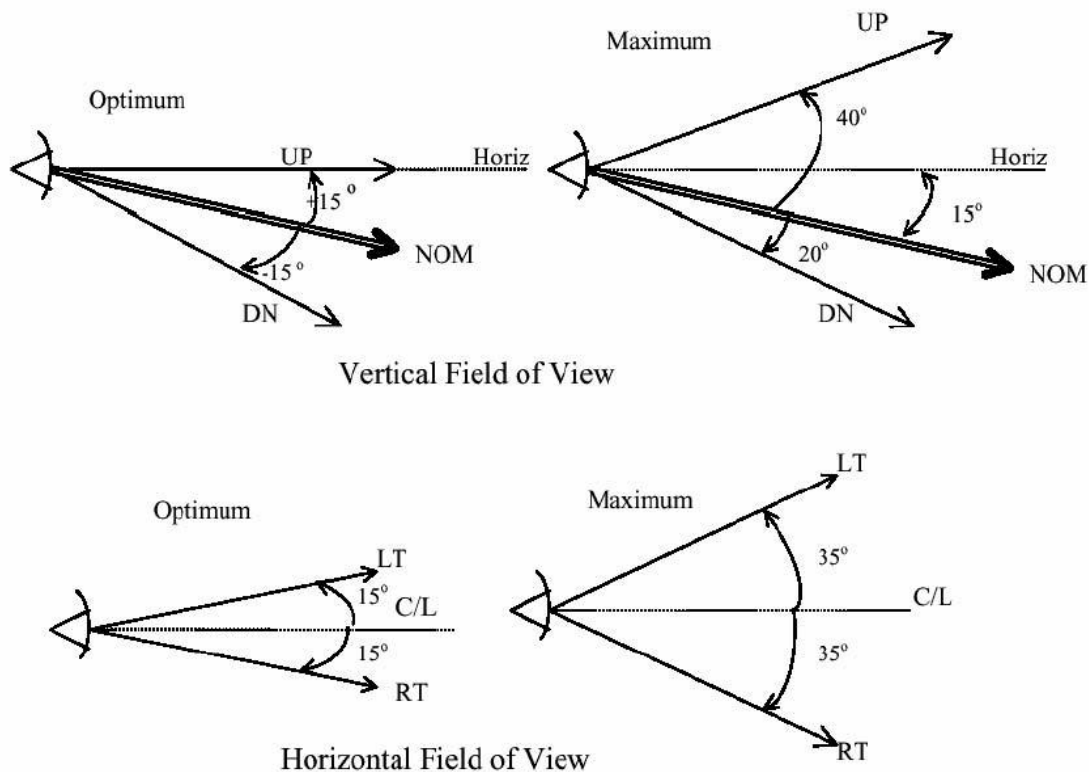


Figure A3-1 Primary Field of View

Primary Flight Information - The information whose presentation is required by CS 25.1303(b) and CS 25.1333(b), and arranged by CS 25.1321(b).

Primary Flight Instrument - Any display or instrument that serves as the flight crew's primary reference of a specific parameter of primary flight information. For example, a centrally located attitude director indicator is a primary flight instrument because it is the flight crew's primary reference for pitch, bank, and command steering information.

Prompt - A method of cueing the flight crew that some input or action is required.

Required Engine Indications - The information whose presentation is required by CS 25.1305.

Reversionary - The automatic or flight crew initiated (manual) relocation of display formats or windows following a display failure.

Shading - Shading is used as:

- A coding method for separating information, change in state, give emphasis, and depth information.
- A blending method between graphic elements (map displays, synthetic vision system).

Soft Control - Display element used to manipulate, select, or de-select information (for example, menus and soft keys).

Standby Display - A backup display that is used if a primary display malfunctions.

Status information - Information about the current condition of an aeroplane system and its surroundings.

Symbol - A symbol is a geometric form or alpha-numeric information used to represent the state of a parameter on a display. The symbol may be further defined by its location and motion on a display.

Synthetic Vision – A computer generated image of the external topography from the perspective of the flight deck. The image is derived from aircraft attitude, high-precision navigation solution, and terrain database terrain, obstacles, and relevant cultural features.

Synthetic Vision System – An electronic means to display a synthetic vision image of the external scene topography to the flight crew.

Texturing - A graphic, pictorial effect used to give a displayed object or graphic a specific “look” (metallic, grassy, cloudy, etc.). Texture is used:

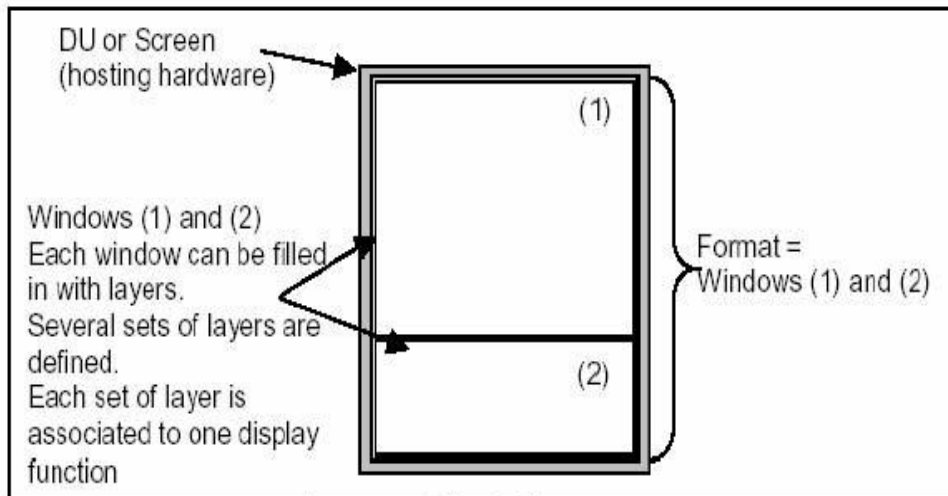
- As a coding method for separating information, change in state, give emphasis, and depth information.
- As a blending method between graphic elements (map displays, synthetic vision system).
- To enhance similarity between a synthetic image and the real world image.

Time Sharing – Showing different information in the same display area at different times.

Transparency - A means of seeing a background information element through a foreground information element. Transparency can alter the colour perception of both the “front” element and the “back” element.

Viewing Angle – The angle between the normal line of sight (looking straight ahead) and the line from the eye to the object being viewed. The angle can be horizontal, vertical, or a composite of those two angles.

Window (See Figure A3-2) - A rectangular physical area of the display surface. A window consists of one or more layers (see ARINC Specification 661).



*Definitions used for display management
Example : format composed of 2 windows*

Figure A3-2 – Display Format

Windowing - The technique to create windows. Segmenting a single display area into two or more independent display areas or inserting a new display area onto an existing display.

Appendix 4

Acronyms Used in this AMC

AC	(FAA) Advisory Circular
AMC	Acceptable Means of Compliance
ARAC	Aviation Rulemaking Advisory Committee
ARP	Aerospace Recommended Practices
AS	Aerospace Standard
CCD	Cursor Control Device
CFR	Code of Federal Regulations
CRT	Cathode Ray Tube
DEP	Design Eye Position
EASA	European Aviation Safety Agency
EUROCAE	European Organisation for Civil Aviation Electronics
FAA	Federal Aviation Administration
GUI	Graphical User Interface
HDD	Head down Display
HUD	Head up Display
JAA	Joint Airworthiness Authorities
LCD	Liquid Crystal Display
SAE	SAE International (formerly Society of Automotive Engineers)
TCAS	Traffic Alert and Collision Avoidance System

[Amdt No: 25/11]

AMC 25-13

Reduced And Derated Take-Off Thrust (Power) Procedures

1 Purpose

This acceptable means of compliance (AMC) provides guidance for the certification and use of reduced thrust (power) for take-off and derated take-off thrust (power) on turbine powered transport category aeroplanes. It consolidates CS guidance concerning this subject and serves as a ready reference for those involved with aeroplane certification and operation. These procedures should be considered during aeroplane type certification and supplemental type certification activities when less than engine rated take-off thrust (power) is used for take-off.

2 Related Certification Specifications (CS)

The applicable regulations are CS 25.101, 25.1521 and 25.1581.

3 Background

Take-off operations conducted at thrust (power) settings less than the maximum take-off thrust (power) available may provide substantial benefits in terms of engine reliability, maintenance, and operating costs. These take-off operations generally fall into two categories; those with a specific derated thrust

(power) level, and those using the reduced thrust (power) concept, which provides a lower thrust (power) level that may vary for different take-off operations. Both methods can be approved for use, provided certain limitations are observed. The subjects discussed herein do not pertain to in-flight thrust cutback procedures that may be employed for noise abatement purposes.

4 Definitions

Customarily, the terms 'thrust' and 'power' are used, respectively, in reference to turbojet and turboprop installations. For simplicity, only the term 'thrust' is used throughout this AMC. For turboprop installations, the term 'power' should be substituted. For purposes of this AMC the following definitions apply:

a. Take-off Thrust

(1) Rated take-off thrust, for a turbojet engine, is the approved engine thrust, within the operating limits, including associated time limits, established by the engine type certificate for use during take-off operations.

(2) Take-off thrust, for an aeroplane, is normally the engine rated take-off thrust, corrected for any installation losses and effects that is established for the aeroplane under CS-25. Some aeroplanes use a take-off thrust setting that is defined at a level that is less than that based on the engine rated take-off thrust. CS 25.1521 requires that the take-off thrust rating established for the aeroplane must not exceed the take-off thrust rating limits established for the engine under the engine type certificate. The value of the take-off thrust setting parameter is presented in the Aeroplane Flight Manual (AFM) and is considered a normal take-off operating limit.

b. Derated take-off thrust, for an aeroplane, is a take-off thrust less than the maximum take-off thrust, for which exists in the AFM a set of separate and independent, or clearly distinguishable, take-off limitations and performance data that complies with all the take-off requirements of CS-25. When operating with a derated take-off thrust, the value of the thrust setting parameter, which establishes thrust for take-off, is presented in the AFM and is considered a normal take-off operating limit.

c. Reduced take-off thrust, for an aeroplane, is a take-off thrust less than the take-off (or derated take-off) thrust. The aeroplane take-off performance and thrust setting are established by approved simple methods, such as adjustments, or by corrections to the take-off or derated take-off thrust setting and performance. When operating with a reduced take-off thrust, the thrust setting parameter, which establishes thrust for take-off, is not considered a take-off operating limit.

d. A wet runway is one that is neither dry nor contaminated.

e. A contaminated runway is a runway where more than 25% of the required field length, within the width being used, is covered by standing water or slush more than 3.2 mm (0.125 inch) deep, or that has an accumulation of snow or ice. However, in certain other situations it may be appropriate to consider the runway contaminated. For example, if the section of the runway surface that is covered with standing water or slush is located where rotation and lift-off will occur, or during the high speed part of the take-off roll, the retardation effect will be far more significant than if it were encountered early in the take-off while at low speed. In this situation, the runway might better be considered 'contaminated' rather than 'wet'.

5 *Reduced Thrust: (Acceptable Means Of Compliance)*

Under CS 25.101(c), 25.101(f), and 25.101(h), it is acceptable to establish and use a take-off thrust setting that is less than the take-off or derated take-off thrust if –

a. The reduced take-off thrust setting –

(1) Does not result in loss of systems or functions that are normally operative for take-off such as automatic spoilers, engine failure warning, configuration warning, systems dependent on engine bleed air, or any other required safety related system.

(2) Is based on an approved take-off thrust rating or derating for which complete aeroplane performance data is provided.

(3) Enables compliance with the applicable engine operating and aeroplane controllability requirements in the event that take-off thrust, or derated take-off thrust (if such is the performance basis), is applied at any point in the take-off path.

(4) Is at least 60% of the maximum take-off thrust (no derate), for the existing ambient conditions, with no further reduction below 60% resulting from Automatic Take-off Thrust Control System (ATTCS) credit. Consequently the amount of reduced thrust permitted is reduced when combined with the use of derated thrust so that the overall thrust reduction remains at least 60 % of the maximum take-off thrust. For reduced thrust operations, compliance with the applicable performance and handling requirements should be demonstrated as thoroughly as for an approved take-off rating.

(5) For turboprop installations, is predicated on an appropriate analysis of propeller efficiency variation at all applicable conditions and is limited to at least 75% take-off thrust.

(6) Enables compliance with CS-25 Appendix I in the event of an engine failure during take-off, for aeroplanes equipped with an ATTCS.

b. Relevant speeds (V_{EF} , V_{MC} , V_R , and V_2) used for reduced thrust take-offs are not less than those which will comply with the required airworthiness controllability criteria when using the take-off thrust (or derated take-off thrust, if such is the performance basis) for the ambient conditions, including the effects of an ATTCS system. It should be noted, as stated in paragraph c. below, that in determining the take-off weight limits, credit can be given for an operable ATTCS.

c. The aeroplane complies with all applicable performance requirements, including the criteria in paragraphs a. and b. above, within the range of approved take-off weights, with the operating engines at the thrust available for the reduced thrust setting selected for take-off. However, the thrust settings used to show compliance with the take-off flight path requirements of CS 25.115 and the final take-off climb performance requirements of CS 25.121(c) should not be greater than that established by the initial thrust setting. In determining the take-off weight limits, credit can be given for an operable ATTCS.

d. Appropriate limitations, procedures, and performance information are established and are included in the AFM. The reduced thrust procedures must ensure that there is no significant increase in cockpit workload, and no significant change to take-off procedures.

e. A periodic take-off demonstration is conducted using the aeroplane's take-off thrust setting without ATTCS, if fitted, and the event is logged in the aeroplane's permanent records. An approved engine maintenance procedure or an approved engine condition-monitoring programme may be used to extend the time interval between take-off demonstrations.

f. The AFM states, as a limitation, that take-offs utilising reduced take-off thrust settings –

(1) Are not authorised on runways contaminated with standing water, snow, slush, or ice, and are not authorised on wet runways unless suitable performance accountability is made for the increased stopping distance on the wet surface.

(2) Are not authorised where items affecting performance cause significant increase in crew workload.

Examples of these are –

Inoperative Equipment: Inoperative engine gauges, reversers, anti-skid systems or engine systems resulting in the need for additional performance corrections.

Engine Intermix: Mixed engine configurations resulting in an increase in the normal number of power setting values.

Non-standard operations: Any situation requiring a non-standard take-off technique.

(3) Are not authorised unless the operator establishes a means to verify the availability of take-off or derated take-off thrust to ensure that engine deterioration does not exceed authorised limits.

(4) Are authorised for aeroplanes equipped with an ATTCS, whether operating or not.

g. The AFM states that –

(1) Application of reduced take-off thrust in service is always at the discretion of the pilot.

(2) When conducting a take-off using reduced take-off thrust, take-off thrust or derated take-off thrust if such is the performance basis may be selected at any time during the take-off operation.

h. Procedures for reliably determining and applying the value of the reduced take-off thrust setting and determining the associated required aeroplane performance are simple (such as the assumed temperature method). Additionally, the pilot is provided with information to enable him to obtain both the reduced take-off thrust and take-off thrust, or derated take-off thrust if such is the performance basis, for each ambient condition.

i. Training procedures are developed by the operator for the use of reduced take-off thrust.

6 *Derated Thrust* (Acceptable Means Of Compliance)

For approval of derated take-off thrust provisions, the limitations, procedures, and other information prescribed by CS 25.1581, as applicable for approval of a change in thrust, should be included as a separate Appendix in the AFM. The AFM limitations section should indicate that when operating with derated thrust, the thrust setting parameter should be considered a take-off operating limit. However, in-flight take-off thrust (based on the maximum take-off thrust specified in the basic AFM) may be used in showing compliance with the landing and approach climb requirements of CS 25.119 and 25.121(d), provided that the availability of take-off thrust upon demand is confirmed by using the thrust-verification checks specified in paragraph 5.e. above.

[Amdt. No.:25/2]

AMC 25–19 Certification Maintenance Requirements

1 *PURPOSE*

This AMC is similar to FAA Advisory Circular AC 25–19 dated 28 November 1994.

This Acceptable Means of Compliance (AMC) provides guidance on the selection, documentation and control of Certification Maintenance Requirements (CMRs). For those aeroplanes whose initial maintenance programme is developed under the Maintenance Review Board (MRB) process, this document also provides a rational basis for coordinating the Maintenance Review Board (MRB) and CMR selection processes in order to minimise the impact of CMRs on aeroplane operators. It is recognised that, for those aeroplanes whose initial maintenance programme is developed under a different process, the coordination and documentation aspects have to be adapted to the particular case. Like all acceptable means of compliance, this AMC is not, in itself, mandatory, and does not constitute a requirement. It is issued to describe an acceptable means, but not the only means, for selecting, documenting and managing CMRs. Terms such as 'shall' and 'must' are used only in the sense of ensuring applicability of this particular method of compliance when the acceptable method of compliance described herein is used.

2 RELATED CERTIFICATION SPECIFICATIONS

CS 25.1309 and CS 25.1529 of the Certification Specifications (CS).

3 RELATED DOCUMENTS

- a. AC 25.1309–1A, System Design and Analysis.
- b. Acceptable Means of Compliance AMC 25.1309, System Design and Analysis.
- c. AC 121–22A, Maintenance Review Board (MRB) Procedures.
- d. ATA Maintenance Steering Group (MSG–3), Airline/Manufacturer Maintenance Program Development Document, available from the Air Transport Association of America, 1301 Pennsylvania Avenue – Suite 1100, Washington, DC 20004–1707.
- e. AC 120–17A, Maintenance Program Management through Reliability Methods.

4 BACKGROUND

CMRs have been in use since the early 1970's, when the industry began using quantitative approaches to certify systems to the requirements of CS 25.1309 and other requirements requiring safety analyses. CMRs have been established on several aeroplanes certified in Europe and in other countries, and are being planned for use on aeroplanes currently under development.

5 CMR DEFINITION

A CMR is a required periodic task, established during the design certification of the aeroplane as an operating limitation of the type certificate. CMRs are a subset of the tasks identified during the type certification process. CMRs usually result from a formal, numerical analysis conducted to show compliance with Catastrophic and Hazardous Failure Conditions as defined in paragraph 6b, below. There are two types of CMRs, as defined in paragraph 12 of this AMC.

- a. A CMR is intended to detect safety-significant latent failures which would, in combination with one or more other specific failures or events, result in a Hazardous or Catastrophic Failure Condition.
- b. It is important to note that CMRs are derived from a fundamentally different analysis process than the maintenance tasks and intervals which result from Maintenance Steering Group (MSG–3) analysis associated with Maintenance Review Board (MRB) activities. MSG–3 analysis activity produces maintenance tasks which are performed for safety, operational, or economic reasons, involving both preventative maintenance tasks, which are performed before failure occurs (and are intended to prevent failures), as well as failure-finding tasks. CMRs, on the other hand, are failure-finding tasks only, and exist solely to limit the exposure to otherwise hidden failures. Although CMR tasks are failure-finding tasks, use of potential failure-finding tasks, such as functional checks and inspections, may also be appropriate.
- c. CMRs are designed to verify that a certain failure has or has not occurred, and *do not* provide any preventative maintenance function. CMRs 'restart the failure clock to zero' for latent failures by verifying that the item has not failed, or cause repair if it has failed. Because the exposure time to a latent failure is a key element in the calculations used in a safety analysis performed to show compliance with CS 25.1309, limiting the exposure time will have a significant effect on the resultant overall failure probability of the system. The CMR task interval should be designated in terms of flight hours, cycles, or calendar time, as appropriate.
- d. The type certification process assumes that the aeroplane will be maintained in a condition or airworthiness at least equal to its certified or properly altered condition. The process described in this

AMC is not intended to establish normal maintenance tasks that should be defined through the MSG-3 analysis process. Also, this process is not intended to establish CMRs for the purpose of providing supplemental margins of safety for concerns arising late in the type design approval process. Such concerns should be resolved by appropriate means, which are unlikely to include CMRs not established via normal safety analyses.

e. CMRs should not be confused with required structural inspection programmes, which are developed by the type certificate applicant to meet the inspection requirements for damage tolerance, as required by CS 25.571 or CS 25.1529, Appendix H25.4 (Airworthiness Limitations section). CMRs are to be developed and administered separately from any structural inspection programmes.

6 OTHER DEFINITIONS

The following terms apply to the system design and analysis requirements of CS 25.1309(b) and (c), and the guidance material provided in this AMC. For a complete definition of these terms, refer to the applicable requirements and guidance material, (i.e. AC 25.1309-1A and/or the EASA Acceptable Means of Compliance AMC 25.1309). AC 25.1309-1A and AMC 25.1309 are periodically revised by the FAA/EASA and are the controlling documents for definition of these terms. The terms listed below are derived from this guidance material and are included to assist in the use of this document.

a. *Failure*

A loss of function, or a malfunction, of a system or a part thereof.

b. *Failure Condition*

The effect on the aeroplane and its occupants, both direct and consequential, caused or contributed to by one or more failures, considering relevant adverse operational or environmental conditions. Failure Conditions may be classified according to their severities as follows:

(1) *Minor Failure Conditions:* Failure Conditions which would not significantly reduce aeroplane safety, and which involve crew actions that are well within their capabilities. Minor Failure Conditions may include, for example, a slight reduction in safety margins or functional capabilities, a slight increase in crew workload, such as routine flight plan changes, or some inconvenience to occupants.

(2) *Major Failure Conditions:* Failure Conditions which would reduce the capability of the aeroplane or the ability of the crew to cope with adverse operating conditions to the extent that there would be, for example, a significant reduction in safety margins or functional capabilities, a significant increase in crew workload or in conditions impairing crew efficiency, or discomfort to occupants, possibly including injuries.

(3) *Hazardous Failure Conditions:* Failure Conditions, which would reduce the capability of the aeroplane or the ability of the crew to cope with adverse operating conditions to the extent that there would be:

- (i) A large reduction in safety margins or functional capabilities;
- (ii) physical distress or higher workload such that the flight crew cannot be relied upon to perform their tasks accurately or completely, or
- (iii) serious or fatal injury to a relatively small number of the occupants.

(4) *Catastrophic Failure Conditions:* Failure Conditions, which would prevent the continued safe flight and landing of the aeroplane.

(c) *Probability Terms*

When using qualitative or quantitative assessments to determine compliance with CS 25.1309(b), the following descriptions of the probability terms used in the requirement and in the acceptable means of compliance listed above have become commonly accepted aids to engineering judgement:

(1) *Probable Failure Conditions*: Probable Failure Conditions are those anticipated to occur one or more times during the entire operational life of each aeroplane. Probable Failure Conditions are those having a probability of the order of 1×10^{-5} or greater. Minor Failure Conditions may be probable.

(2) *Improbable Failure Conditions*: Improbable Failure Conditions are divided into two categories as follows:

(i) *Remote*: Unlikely to occur to each aeroplane during its total life but may occur several times when considering the total operational life of a number of aeroplanes of the same type. Improbable (Remote) Failure Conditions are those having a probability of the order of 1×10^{-5} or less, but greater than of the order of 1×10^{-7} . Major Failure Conditions must be no more frequent than Improbable (Remote).

(ii) *Extremely Remote*. Unlikely to occur when considering the total operational life of all aeroplanes of the same type, but nevertheless has to be considered as being possible. Improbable (Extremely Remote) Failure Conditions are those having a probability of the order of 1×10^{-7} or less, but greater than of the order of 1×10^{-9} . Hazardous Failure Conditions must be no more frequent than Improbable (Extremely Remote).

(3) *Extremely Improbable Failure Conditions*: Extremely Improbable Failure Conditions are those so unlikely that they are not anticipated to occur during the entire operational life of all aeroplanes of one type, and have a probability of the order of 1×10^{-9} or less. Catastrophic Failure Conditions must be shown to be Extremely Improbable.

d. *Qualitative*

Those analytical processes that assess system and aeroplane safety in a subjective, non-numerical manner, based on experienced engineering judgement.

e. *Quantitative*

Those analytical processes that apply mathematical methods to assess system and aeroplane safety.

7 SYSTEM SAFETY ASSESSMENTS (SSA)

CS 25.1309(b) provides general requirements for a logical and acceptable inverse relationship between the probability and severity of each Failure Condition, and AMC 25.1309, sub-paragraph 9 b.(1) specifies that compliance should be shown primarily by analysis. In recent years there has been an increase in the degree of system complexity and integration, and in the number of safety-critical functions performed by systems. This increase in complexity has led to the use of structured means for showing compliance with the requirements of CS 25.1309.

a. CS 25.1309(b) specifies required safety levels in qualitative terms, and AMC 25.1309, sub-paragraph 9 b.(1) specifies that a safety assessment should be made. Various assessment techniques have been developed to assist applicants and the Agency in determining that a logical and acceptable inverse relationship exists between the probability and the severity of each Failure Condition. These techniques include the use of service experience data of similar, previously approved systems, and thorough qualitative analyses.

b. In addition, difficulties have been experienced in assessing the acceptability of some designs, especially those of systems, or parts of systems, that are complex, that have a high degree of integration, that use new technology, or that perform safety-critical functions. These difficulties led to the selective use of rational analyses to estimate *quantitative* probabilities, and the development of related criteria based on historical data of accidents and hazardous incidents caused or contributed to

by failures. These criteria, expressed as numerical probability ranges associated with the terms used in CS 25.1309(b), became commonly accepted for evaluating the quantitative analyses that are often used in such cases to support experienced engineering and operational judgement and to supplement qualitative analyses and tests.

NOTE: See Acceptable Means of Compliance 25.1309, System Design and Analysis, for a complete description of the inverse relationship between the probability and severity of Failure Conditions, and the various methods of showing compliance with CS 25.1309.

8 *DESIGN CONSIDERATIONS RELATED TO CANDIDATE CMRs*

A decision to create a candidate CMR should follow the guidelines given in AMC 25.1309 (i.e. the use of candidate CMRs in lieu of practical and reliable failure monitoring and warning systems to detect significant latent failures when they occur does not comply with CS 25.1309(c)). A practical failure monitoring and warning system is one, which is considered to be within the state of the art. A reliable failure monitoring and warning system is one, which would not result in either excessive failures of a genuine warning, or excessive or untimely false warnings, which can sometimes be more hazardous than lack of provision for, or failures of, genuine but infrequent warnings. Experienced judgement should be applied when determining whether or not a failure monitoring and warning system would be practical and reliable. Comparison with similar, previously approved systems is sometimes helpful. Appendix 1 outlines some design considerations that should be observed in any decision to create a candidate CMR.

9 *IDENTIFICATION OF CANDIDATE CMRs (CCMRs)*

a. Figure 1 illustrates the relationship between the certification process and the MRB process in establishing scheduled maintenance tasks. Those tasks related to the certification process, as well as those derived through MSG-3 analysis, must be identified and documented as illustrated. The details of the process to be followed in defining, documenting, and handling CMRs are given in paragraphs 9b through 12 below.

b. *Candidate CMRs*

(1) Tasks that are candidates for selection as CMRs usually come from safety analyses (e.g. System Safety Assessments (SSA), which may establish the need for tasks to be carried out periodically to comply with CS 25.1309 and other requirements requiring this type of analysis). Tasks may be selected from those intended to detect latent failures, which would, in combination with one or more specific failures or events, lead to a Hazardous or Catastrophic Failure Condition.

(2) Other tasks, not derived from formal safety analyses but based on properly justified engineering judgement, may also be candidates for CMRs. The justification must include the logic leading to identification as a candidate CMR, and the data and experience base supporting the logic.

10 *CERTIFICATION MAINTENANCE COORDINATION COMMITTEE (CMCC)*

a. In order to grant operators of the aeroplane an opportunity to participate in the selection of CMRs and to assess the candidate CMRs and the proposed MRB tasks and intervals in an integrated process, the type certificate (TC) applicant should convene a Certification Maintenance Coordination Committee (CMCC) (see Figure 1). This committee should be made up of manufacturers, operator representatives designated by the Industry Steering Committee (ISC) Chairperson, Agency Certification Specialist(s) and the MRB Chairperson.

b. As early as possible in the design phase of the aeroplane programme, and at intervals as necessary, the CMCC should meet to review candidate CMRs, their purpose, criticality, and other relevant factors. During the CMCC's discussions, participants' experience may suggest alternatives to a given CMR, which would satisfy the intent of the CMR, while allowing reduced operational impact. In

addition, where multiple tasks result from a quantitative analysis, it may be possible to extend a given interval at the expense of one or more other intervals, in order to optimise the required maintenance activity. However, if a decision is made to create a CMR, then the CMR task interval shall be based solely on the results of the safety analysis.

c. The CMCC would function as an advisory committee for the TC applicant. The results of the CMCC (proposed CMRs to be included on the type design definition and proposed revisions to MRB tasks and/or intervals) would be forwarded by the TC applicant to the ISC for their consideration. Revisions to proposed MRB tasks and/or intervals accepted by the ISC will be reflected in the MRB report proposal. Revisions to proposed MRB tasks and/or intervals rejected by the ISC will result in CMR tasks. Subsequent to the ISC's consideration, the TC applicant will submit the CMR document, as defined in paragraph 12 of this AMC, to the Agency for final review and approval.

11 *SELECTION OF CMRs*

a. The candidate CMRs should be reviewed by the CMCC and a determination made as to whether or not CMR status is necessary and, if so, whether to categorise the CMR as One Star or Two Star, as defined in paragraph 12 of this AMC. To reach this decision, the following should be considered by the CMCC:

(1) CMR status does not need to be applied if the CCMR is satisfied by:

(i) Maintenance actions considered to be routine maintenance activity (and which are also identified as MRB tasks) based on engineering judgement and experience on similar aeroplane types, or

(ii) Tasks included in the approved Aeroplane Flight Manual.

(2) CMRs remaining after application of paragraph 11a(1) should be categorised as either One Star or Two Star CMRs. The following should be considered in assigning One Star or Two Star status:

(i) The degree of conservatism taken in the classification of the Failure Condition consequences.

(ii) The degree of conservatism taken in the individual failure rates and event occurrence rates used.

(iii) The margin between safety analysis calculated maximum interval and the interval selected through the MRB process.

(iv) The sensitivity of the Failure Condition probability to interval escalation.

(v) The proximity of the calculated maximum interval to the aeroplane life.

b. For operators with approved escalation practices or an approved reliability programme, data collection and analytical techniques are used to make adjustments to an operator's maintenance programme. It has been demonstrated that the management of a maintenance programme does not give rise to undue escalations. Therefore, escalation of Two Star CMR task intervals within an operator's maintenance programme ensures that Two Star CMRs will be properly managed by the operator with adequate controls.

12 *DOCUMENTATION AND HANDLING OF CMRs*

CMRs should be listed in a separate CMR document, which is referenced in the Type Certificate Data Sheet. The latest version of the CMR document should be controlled by a EASA-approved log of pages. In this way, changes to CMRs following certification will not require an amendment to the Type

Certificate Data Sheet. The CMR document should clearly identify the two types of CMR tasks, which are handled as follows:

- a. One Star CMRs (*) – The tasks and intervals specified are mandatory and cannot be changed, escalated, or deleted without the approval of the Agency.
- b. Two Star CMRs (**) – Task intervals may be adjusted in accordance with an operator's approved escalation practices or an approved reliability programme, but the task may not be changed or deleted without prior Agency approval.
- c. All minimum initial scheduled maintenance tasks, and CMRs, should reside in an MRB report to ensure that the operator's maintenance planning personnel are aware of all requirements. The CMR document should be included as Appendix 1 or A (the first appendix) to the MRB report. The MRB report should include a note indicating that the CMR document is the controlling document for all CMR tasks. When a CMR task corresponds to an MRB task, whatever the respective intervals, this fact should be highlighted, for example, by flagging the task in the CMR appendix of the MRB report.
- d. Since CMRs are based on statistical averages and reliability rates, an exceptional short-term extension for a single CMR interval may be made on one aeroplane for a specific period of time without jeopardising safety. Any extensions to CMR intervals (both one star and two star) must be defined and fully explained in the CMR document. The local authority must be notified as soon as practicable if any short-term extension allowed by the CMR document has taken place.
 - (1) The term 'exceptional short-term extension' is defined as an increase in a CMR interval which may be needed to cover an uncontrollable or unexpected situation. Any allowable increase must be defined either as a percent of the normal interval, or a stated number of flight hours, flight cycles, or calendar days. If no short-term extension is to be allowed for a given CMR, this restriction should be stated in the CMR document.
 - (2) Repeated use of extensions, either on the same aeroplane or on similar aeroplanes in an operator's fleet, should not be used as a substitute for good management practices. Short-term extensions must not be used for fleet CMR escalation.
 - (3) The CMR document should state that the Agency must approve, prior to its use, any desired extension not explicitly listed in the CMR document.

13 *POST-CERTIFICATION CHANGES TO CMRs*

Any post-certification changes to CMRs should be reviewed by the CMCC, and must be approved by the Agency, which approved the type design.

- a. Since the purpose of a CMR is to limit the exposure time to a given significant latent failure as part of an engineering analysis of overall system reliability, instances of a CMR task repeatedly finding that no failure has occurred may not be sufficient justification for deleting the task or increasing the time between repetitive performances of the CMR task. In general, One Star CMRs are not good candidates for escalation under an operator's reliability programme. A One Star CMR task change or interval escalation could only be made if world fleet service experience indicates that certain assumptions regarding component failure rates made early during the engineering analysis were overly conservative, and a re-calculation of system reliability with revised failure rates of certain components reveals that the task or interval may be changed.
- b. The introduction of a new CMR or any change to an existing CMR should be reviewed by the same process used during initial certification. It is important that operators be afforded the same opportunity to participate they received during the original certification of the aeroplane, in order to allow the operators to manage their own maintenance programmes.

- c. In the event that later data provide sufficient basis for a relaxation of a CMR (less restrictive actions to be required), the change may be documented by a EASA-approved change to the CMR document.
- d. If the requirements of an existing CMR must be increased (more restrictive actions to be performed), it will be mandated by an airworthiness directive (AD).
- e. After initial aeroplane certification, the only basis for adding a new CMR is in association with certification of design changes.
- f. A new CMR created as part of a design change should be a part of the approved data for that change, and added to the CMR document.

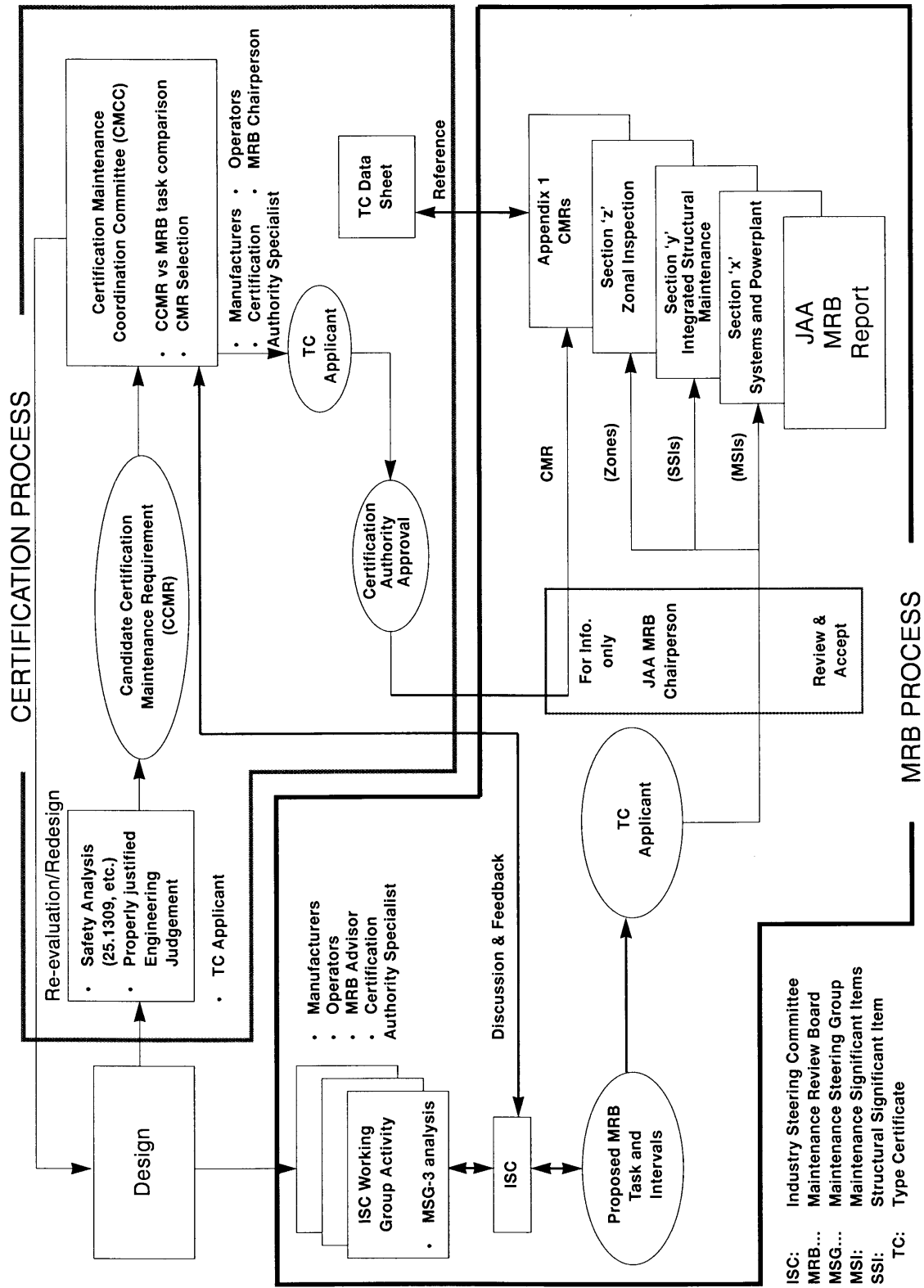


Figure 1 SCHEDULED MAINTENANCE TASK DEVELOPMENT

APPENDIX 1

GUIDANCE FOR USE OF CMRs

The underlying goal of any system design should be an absolute minimum number of CMRs, with none as the goal. However the final determination of system design, and ultimately the number of CMRs, after safety and reliability are assured, should be based on the total cost of ownership of the system (or the aeroplane), with due regard to weight, reliability, initial and recurring costs. If the cost of adding practical and reliable monitoring and/or warning to a system is *large*, and the added maintenance burden of a CMR is *small*, addition of a CMR may be the solution of choice for both the type certificate applicant and the operator.

A decision to create a CMR should include a rigorous trade-off of the cost, weight, or complexity of providing an alerting mechanism or device that will expose the latent failure, versus the requirement for the operator to conduct a maintenance or inspection task at fixed intervals. The following points should be considered in any decision to create a CMR.

- a. What is the magnitude of the changes to the system and/or aeroplane needed to add a reliable monitoring or warning device that would expose the hidden failure? What is the cost in added system complexity?
- b. Is it possible to introduce a self-test on power-up?
- c. Is the monitoring and warning system reliable? *False* warnings must be considered as well as a lack of warnings.
- d. Does the monitoring or warning system itself need a CMR due to its latent failure potential?
- e. Is the CMR task reasonable, considering all aspects of the failure condition that the task is intended to address?
- f. How long (or short) is the CMR task interval?
- g. Is the proposed CMR task labour intensive or time consuming? Can it be done without having to 'gain access' and/or without workstands? Without test equipment? Can the CMR task be done without removing equipment from the aeroplane? Without having to re-adjust equipment? Without leak checks and/or engine runs?
- h. Can a simple visual inspection be used instead of a complex one? Can a simple operational check suffice in lieu of a formal functional check against measured requirements?
- i. Is there 'added value' to the proposed task (i.e. will the proposed task do more harm than good if the aeroplane must be continually inspected)?
- j. Have all alternatives been evaluated?

[Amdt. No.:25/2]

AMC 25-24

Sustained Engine Imbalance

1. PURPOSE

This AMC sets forth an acceptable means, but not the only means, of demonstrating compliance with the provisions of CS-25 related to the aircraft design for sustained engine rotor imbalance conditions.

2. RELATED CS PARAGRAPHS

a. CS-25:

CS 25.302	“Interaction of systems and structures”
CS 25.571	“Damage tolerance and fatigue evaluation of structure”
CS 25.629	“Aeroelastic stability requirements”
CS 25.901	“Installation”
CS 25.903	“Engines”

b. CS-E:

CS-E 520	“Strength”
CS-E 525	“Continued Rotation”
CS-E 810	“Compressor and Turbine Blade Failure”
CS-E 850	“Compressor, Fan and Turbine Shafts”

3. DEFINITIONS.

Some new terms have been defined for the imbalance condition in order to present criteria in a precise and consistent manner. In addition, some terms are employed from other fields and may not be in general use as defined below. The following definitions apply in this AMC:

- a. Airborne Vibration Monitor (AVM). A device used for monitoring the operational engine vibration levels that are unrelated to the failure conditions considered by this AMC.
- b. Design Service Goal (DSG). The design service goal is a period of time (in flight cycles/hours) established by the applicant at the time of design and/or certification and used in showing compliance with CS 25.571.
- c. Diversion Flight. The segment of the flight between the point where deviation from the planned route is initiated in order to land at an en route alternate airport and the point of such landing.
- d. Ground Vibration Test (GVT). Ground resonance tests of the aeroplane normally conducted in compliance with CS 25.629.
- e. Imbalance Design Fraction (IDF). The ratio of the design imbalance to the imbalance (including all collateral damage) resulting from release of a single turbine, compressor, or fan blade at the maximum rotational speed to be approved, in accordance with CS-E 810.
- f. Low Pressure (LP) Rotor. The rotating system, which includes the low pressure turbine and compressor components and a connecting shaft.
- g. Well Phase. The flight hours accumulated on an aeroplane or component before the failure event.

4. BACKGROUND

- a. Requirements. CS 25.901(c) requires the powerplant installation to comply with CS 25.1309. In addition, CS 25.903(c) requires means of stopping the rotation of an engine where continued rotation

could jeopardise the safety of the aeroplane, and CS 25.903(d) requires that design precautions be taken to minimise the hazards to the aeroplane in the event of an engine rotor failure. CS-E 520(c)(2) requires that data shall be established and provided for the purpose of enabling each aircraft constructor to ascertain the forces that could be imposed on the aircraft structure and systems as a consequence of out-of-balance running and during any continued rotation with rotor unbalance after shutdown of the engine following the occurrence of blade failure, as demonstrated in compliance with CS-E 810, or a shaft, bearing or bearing support, if this results in higher loads.

b. **Blade Failure.** The failure of a fan blade and the subsequent damage to other rotating parts of the fan and engine may induce significant structural loads and vibration throughout the airframe that may damage the nacelles, equipment necessary for continued safe flight and landing, engine mounts, and airframe primary structure. Also, the effect of flight deck vibration on displays and equipment is of significance to the crew's ability to make critical decisions regarding the shut down of the damaged engine and their ability to carry out other operations during the remainder of the flight. The vibratory loads resulting from the failure of a fan blade have traditionally been regarded as insignificant relative to other portions of the design load spectrum for the aeroplane. However, the progression to larger fan diameters and fewer blades with larger chords has changed the significance of engine structural failures that result in an imbalanced rotating assembly. This condition is further exacerbated by the fact that fans will continue to windmill in the imbalance condition following engine shut down.

c. **Bearing/Bearing Support Failure.** Service experience has shown that failures of bearings/bearing supports have also resulted in sustained high vibratory loads.

d. **Imbalance Conditions.** There are two sustained imbalance conditions that may affect safe flight: the windmilling condition and a separate high power condition.

(1) **Windmilling Condition.** The windmilling condition results after the engine is shut down but continues to rotate under aerodynamic forces. The windmilling imbalance condition results from bearing/bearing support failure or loss of a fan blade along with collateral damage. This condition may last until the aeroplane completes its diversion flight, which could be several hours.

(2) **High Power Condition.** The high power imbalance condition occurs immediately after blade failure but before the engine is shut down or otherwise spools down. This condition addresses losing less than a full fan blade which may not be sufficient to cause the engine to spool down on its own. This condition may last from several seconds to a few minutes. In some cases it has hampered the crew's ability to read instruments that may have aided in determining which engine was damaged.

e. The information provided in this AMC is derived from the recommendations in the report "Engine Windmilling Imbalance Loads - Final Report," dated July 1, 1997, which is appended to this NPA for information.

f. The criteria presented in this AMC are based on a statistical analysis of 25 years of service history of high by-pass ratio engines with fan diameters of 1.52 metres (60 inches) or greater. Although the study was limited to these larger engines, the criteria and methodology are also acceptable for use on smaller engines.

5. **EVALUATION OF THE WINDMILLING IMBALANCE CONDITIONS**

a. **Objective.** It should be shown by a combination of tests and analyses that after:

- i) partial or complete loss of an engine fan blade, or
- ii) after bearing/bearing support failure, or
- iii) any other failure condition that could result in higher induced vibrations including collateral damage, the aeroplane is capable of continued safe flight and landing.

b. **Evaluation.** The evaluation should show that during continued operation at windmilling engine rotational speeds, the induced vibrations will not cause damage that would jeopardise continued safe

flight and landing. The degree of flight deck vibration¹ should not prevent the flight crew from operating the aeroplane in a safe manner. This includes the ability to read and accomplish checklist procedures.

This evaluation should consider:

- (1) The damage to airframe primary structure including, but not limited to, engine mounts and flight control surfaces,
- (2) The damage to nacelle components, and
- (3) The effects on equipment necessary for continued safe flight and landing (including connectors) mounted on the engine or airframe.

c. Blade Loss Imbalance Conditions

(1) Windmilling Blade Loss Conditions. The duration of the windmilling event should cover the expected diversion time of the aeroplane. An evaluation of service experience indicates that the probability of the combination of a 1.0 IDF and a 60 minute diversion is on the order of 10^{-7} to 10^{-8} while the probability of the combination of a 1.0 IDF and a 180 minute diversion is 10^{-9} or less. Therefore, with an IDF of 1.0, it would not be necessary to consider diversion times greater than 180 minutes. In addition, the 180 minute diversion should be evaluated using nominal and realistic flight conditions and parameters. The following two separate conditions with an IDF of 1.0 are prescribed for application of the subsequent criteria which are developed consistent with the probability of occurrence:

- (a) A 60 minute diversion flight.
- (b) If the maximum diversion time established for the aeroplane exceeds 60 minutes, a diversion flight of a duration equal to the maximum diversion time, but not exceeding 180 minutes.

(2) Aeroplane Flight Loads and Phases

(a) Loads on the aeroplane components should be determined by dynamic analysis. At the start of the windmill event, the aeroplane is assumed to be in level flight with a typical payload and realistic fuel loading. The speeds, altitudes, and flap configurations considered may be established according to the Aeroplane Flight Manual (AFM) procedures. The analysis should take into account unsteady aerodynamic characteristics and all significant structural degrees of freedom including rigid body modes. The vibration loads should be determined for the significant phases of the diversion profiles described in paragraphs 5c(1)(a) and (b) above.

- (b) The significant phases are:
- 1 The initial phase during which the pilot establishes a cruise condition;
 - 2 The cruise phase;
 - 3 The descent phase; and
 - 4 The approach to landing phase.

(c) The flight phases may be further divided to account for variation in aerodynamic and other parameters. The calculated loads parameters should include the accelerations needed to define the vibration environment for the systems and flight deck evaluations. A range of windmilling frequencies to account for variation in engine damage and ambient temperature should be considered.

(3) Strength Criteria

(a) The primary airframe structure should be designed to withstand the flight and windmilling vibration load combinations defined in paragraphs 1, 2, and 3 below.

¹ An acceptable level of cockpit vibration in terms of vibration frequency, acceleration magnitude, exposure time and direction may be found in ISO 2631/1 "International Standard, Evaluation of Human Exposure to Whole-Body Vibration, Part I: General Requirements", 1985.

- 1 The peak vibration loads for the flight phases in paragraphs 5c(2)(b)1 and 3 above, combined with appropriate 1g flight loads. These loads should be considered limit loads, and a factor of safety of 1.375 should be applied to obtain ultimate load.
- 2 The peak vibration loads for the approach to landing phase in paragraph 5c(2)(b)4 above, combined with appropriate loads resulting from a positive symmetrical balanced manoeuvring load factor of 1.15g. These loads should be considered as limit loads, and a factor of safety of 1.375 should be applied to obtain ultimate load.
- 3 The vibration loads for the cruise phase in paragraph 5c(2)(b)2 above, combined with appropriate 1g flight loads and 70 percent of the flight manoeuvre loads up to the maximum likely operational speed of the aeroplane. These loads are considered to be ultimate loads.
- 4 The vibration loads for the cruise phase in paragraph 5c(2)(b)2 above, combined with appropriate 1g flight loads and 40 percent of the limit gust velocity of CS 25.341 as specified at VC (design cruising speed) up to the maximum likely operational speed of the aeroplane. These loads are considered to be ultimate loads.

(b) In selecting material strength properties for the static strength analyses, the requirements of CS 25.613 apply.

(4) Assessment of Structural Endurance

(a) Criteria for fatigue and damage tolerance evaluations of primary structure are summarised in Table 1 below. Both of the conditions described in paragraphs 5c(1)(a) and (b) above should be evaluated. Different levels of structural endurance capability are provided for these conditions. The criteria for the condition in paragraph 5c(1)(b) are set to ensure at least a 50 percent probability of preventing a structural component failure. The criteria for the condition in paragraph 5c(1)(a) are set to ensure at least a 95 percent probability of preventing a structural component failure. These criteria are consistent with the probability of occurrences for these events discussed in paragraph 5(c)(1) above.

(b) For multiple load path and crack arrest "fail-safe" structure, either a fatigue analysis per paragraph 1 below, or damage tolerance analysis per paragraph 2 below, may be performed to demonstrate structural endurance capability. For all other structure, the structural endurance capability should be demonstrated using only the damage tolerance approach of paragraph 2 below. The definitions of multiple load path and crack arrest "fail-safe" structure are the same as defined for use in showing compliance with CS 25.571, "Damage tolerance and fatigue evaluation of structure."

- 1 Fatigue Analysis. Where a fatigue analysis is used for substantiation of multiple load path "fail-safe" structure, the total fatigue damage accrued during the well phase and the windmilling phase should be considered. The analysis should be conducted considering the following:
 - (aa) For the well phase, the fatigue damage should be calculated using an approved load spectrum (such as used in satisfying the requirements of CS 25.571) for the durations specified in Table 1. Average material properties may be used.
 - (bb) For the windmilling phase, fatigue damage should be calculated for the diversion profiles using a diversion profile consistent with the AFM recommended operations, accounting for transient exposure to peak vibrations, as well as the more sustained exposures to vibrations. Average material properties may be used.
 - (cc) For each component, the accumulated fatigue damage specified in Table 1 should be shown to be less than or equal to the fatigue damage to failure of the component.
- 2 Damage Tolerance Analysis. Where a damage tolerance approach is used to establish the structural endurance, the aeroplane should be shown to have adequate residual strength during the specified diversion time. The extent of damage for residual strength should be established, considering growth from an initial flaw assumed present since the aeroplane was manufactured. Total flaw growth will be that occurring during the well phase, followed by

growth during the windmilling phase. The analysis should be conducted considering the following:

- (aa) The size of the initial flaw should be equivalent to a manufacturing quality flaw associated with a 95 percent probability of existence with 95 percent confidence (95/95).
- (bb) For the well phase, crack growth should be calculated starting from the initial flaw defined in paragraph 5c(4)(b)2(aa) above, using an approved load spectrum (such as used in satisfying the requirements of CS 25.571) for the duration specified in Table 1. Average material properties may be used.
- (cc) For the windmilling phase, crack growth should be calculated for the diversion profile starting from the crack length calculated in paragraph 5c(4)(b)2(bb) above. The diversion profile should be consistent with the AFM recommended operation accounting for transient exposure to peak vibrations as well as the more sustained exposures to vibrations. Average material properties may be used.
- (dd) The residual strength for the structure with damage equal to the crack length calculated in paragraph 5c(4)(b)2(cc) above should be shown capable of sustaining the combined loading conditions defined in paragraph 5c(3)(a) above with a factor of safety of 1.0.

TABLE 1 - Fatigue and Damage Tolerance

	Condition	Paragraph 5c(1)(a)	Paragraph 5c(1)(b)
	Imbalance Design Fraction (IDF)	1.0	1.0
	Diversion time	A 60-minute diversion	The maximum expected diversion ⁶
Fatigue Analysis ^{1,2} (average material properties)	Well phase	Damage for 1 DSG	Damage for 1 DSG
	Windmilling phase	Damage due to 60 minute diversion under a 1.0 IDF imbalance condition.	Damage due to the maximum expected diversion time ⁶ under a 1.0 IDF imbalance condition
	Criteria	Demonstrate no failure ⁷ under twice the total damage due to the well phase and the windmilling phase.	Demonstrate no failure ⁷ under the total damage (unfactored) due to the well phase and the windmilling phase.
Damage Tolerance ^{1,2} (average material properties)	Well phase	Manufacturing quality flaw ⁵ (MQF) grown for 1 DSG	Manufacturing quality flaw ⁵ (MQF) grown for 1/2 DSG
	Windmilling phase ^{3,4}	Additional crack growth for 60 minute diversion with an IDF = 1.0	Additional crack growth for the maximum diversion ⁶ with an IDF = 1.0
	Criteria	Positive margin of safety with residual strength loads specified in 5c(3)(a) for the final crack length	Positive margin of safety with residual strength loads specified in 5c(3)(a) for the final crack length

Notes:

- ¹ The analysis method that may be used is described in paragraph 5 (Evaluation of the Windmilling Imbalance Conditions) of this AMC.

- ² *Load spectrum to be used for the analysis is the same load spectrum qualified for use in showing compliance with CS 25.571, augmented with windmilling loads as appropriate.*
- ³ *Windmilling phase is to be demonstrated following application of the well phase spectrum loads.*
- ⁴ *The initial flaw for damage tolerance analysis of the windmilling phase need not be greater than the flaw size determined as the detectable flaw size plus growth under well phase spectrum loads for one inspection period for mandated inspections.*
- ⁵ *MQF is the manufacturing quality flaw associated with 95/95 probability of existence. (Reference - 'Verification of Methods For Damage Tolerance Evaluation of Aircraft Structures to FAA Requirements', Tom Swift FAA, 12th International Committee on Aeronautical Fatigue, 25 May 1983, Figures 42, and 43.)*
- ⁶ *Maximum diversion time for condition 5c(1)(b) is the maximum diversion time established for the aeroplane, but need not exceed 180 minutes. This condition should only be investigated if the diversion time established for the aeroplane exceeds 60 minutes.*
- ⁷ *The allowable cycles to failure may be used in the damage calculations.*

(5) Systems Integrity

(a) It should be shown that systems required for continued safe flight and landing after a blade-out event will withstand the vibratory environment defined for the windmilling conditions and diversion times described above. For this evaluation, the aeroplane is assumed to be dispatched in its normal configuration and condition. Additional conditions associated with the Master Minimum Equipment List (MMEL) need not be considered in combination with the blade-out event.

(b) The initial flight environmental conditions are assumed to be night, instrument meteorological conditions (IMC) en route to nearest alternate airport, and approach landing minimum of 300 feet and 3/4 mile or runway visual range (RVR) 4000m or better.

(6) Flight crew Response. For the windmilling condition described above, the degree of flight deck vibration shall not inhibit the flight crew's ability to continue to operate the aeroplane in a safe manner during all phases of flight.

d. Bearing/Bearing Support Failure. To evaluate these conditions, the low pressure (LP) rotor system should be analysed with each bearing removed, one at a time, with the initial imbalance consistent with the airborne vibration monitor (AVM) advisory level. The analysis should include the maximum operating LP rotor speed (assumed bearing failure speed), spool down, and windmilling speed regions. The effect of gravity, inlet steady air load, and significant rotor to stator rubs and gaps should be included. If the analysis or experience indicates that secondary damage such as additional mass loss, secondary bearing overload, permanent shaft deformation, or other structural changes affecting the system dynamics occur during the event, the model should be revised to account for these additional effects. The objective of the analyses is to show that the loads and vibrations produced by the bearing/bearing support failure event are less than those produced by the blade loss event across the same frequency range.

An alternative means of compliance is to conduct an assessment of the design by analogy with previous engines to demonstrate this type of failure is unlikely to occur. Previous engines should be of similar design and have accumulated a significant amount of flight hours with no adverse service experience.

e. Other failure conditions. If any other engine structural failure conditions applicable to the specific engine design, e.g. failure of a shaft, could result in more severe induced vibrations than the blade loss or bearing/bearing support failure condition, they should be evaluated.

6. ANALYSIS METHODOLOGY

a. Objective of the Methodology. The aeroplane response analysis for engine windmilling imbalance is a structural dynamic problem. The objective of the methodology is to develop acceptable analytical tools for conducting dynamic investigations of imbalance events. The goal of the windmilling analyses is to produce loads and accelerations suitable for structural, systems, and flight deck evaluations.

b. Scope of the Analysis. The analysis of the aeroplane and engine configuration should be sufficiently detailed to determine the windmilling loads and accelerations on the aeroplane. For aeroplane configurations where the windmilling loads and accelerations are shown not to be significant, the extent and depth of the analysis may be reduced accordingly.

c. Results of the Analysis. The windmilling analyses should provide loads and accelerations for all parts of the primary structure. The evaluation of equipment and human factors may require additional analyses or tests. For example, the analysis may need to produce floor vibration levels, and the human factors evaluation may require a test (or analysis) to subject the seat and the human subject to floor vibration.

7. MATHEMATICAL MODELLING

a. Components of the Integrated Dynamic Model. Aeroplane dynamic responses should be calculated with a complete integrated airframe and propulsion analytical model. The model should provide representative connections at the engine-to-pylon interfaces, as well as all interfaces between components (e.g., inlet-to-engine and engine-to-thrust reverser). The model should be to a similar level of detail to that used for certification flutter and dynamic gust analyses, except that it should also be capable of representing asymmetric responses. The model should be representative of the aeroplane to the highest windmilling frequency expected. The model consists of the following components:

- (1) Airframe structural model,
- (2) Propulsion structural model (including the engine model representing the engine type-design),
- (3) Control system model,
- (4) Aerodynamic model, and
- (5) Forcing function and gyroscopic effects.

The airframe and engine manufacturers should mutually agree upon the definition of the integrated structural model, based on test and experience.

b. Airframe Structural Model. An airframe structural model is necessary in order to calculate the response at any point on the airframe due to the rotating imbalance of a windmilling engine. The airframe structural model should include the mass, stiffness, and damping of the complete airframe. A lumped mass and finite element beam representation is considered adequate to model the airframe. This type of modelling represents each airframe component, such as fuselage, empennage, and wings, as distributed lumped masses rigidly connected to weightless beams that incorporate the stiffness properties of the component. A full aeroplane model capable of representing asymmetric responses is necessary for the windmilling imbalance analyses. Appropriate detail should be included to ensure fidelity of the model at windmilling frequencies. A more detailed finite element model of the airframe may also be acceptable. Structural damping used in the windmilling analysis may be based on Ground Vibration Test (GVT) measured damping.

c. Propulsion Structural Model

(1) Engine manufacturers construct various types of dynamic models to determine loads and to perform dynamic analyses on the engine rotating components, its static structures and mounts. Dynamic engine models can range from a centreline two-dimensional (2D) model, to a centreline model with appropriate three-dimensional (3D) features such as mount and pylon, up to a full 3D finite element model (3D FEM). Any of these models can be run for either transient or steady state conditions.

(2) Propulsion structural models typically include the engine and all major components of the propulsion system, such as the nacelle intake, fan cowl doors, thrust reverser, common nozzle assembly, all structural casings, frames, bearing housings, rotors, and a representative pylon. Gyroscopic effects are included. The models provide for representative connections at the engine-to-nylon interfaces as well as all interfaces between components (e.g., inlet-to-engine and engine-to-thrust reverser). The engine that is generating the imbalance forces should be modelled in this level of detail, while the undamaged engines that are operating normally need only to be modelled to represent their sympathetic response to the aeroplane windmilling condition.

(3) Features modelled specifically for blade loss windmilling analysis typically include fan imbalance, component failure and wear, rubs (blade to casing, and intershaft), and resulting stiffness changes. Manufacturers whose engines fail the rotor support structure by design during the blade loss event should also evaluate the effect of the loss of support on engine structural response during windmilling.

(4) Features that should be modelled specifically for bearing/bearing support failure windmilling events include the effects of gravity, inlet steady air loads, rotor to stator structure friction and gaps, and rotor eccentricity. Secondary damage should be accounted for, such as additional mass loss, overload of other bearings, permanent shaft deformation, or other structural changes affecting the system dynamics, occurring during rundown from maximum LP rotor speed and subsequent windmilling.

d. Control System Model. The automatic flight control system should be included in the analysis unless it can be shown to have an insignificant effect on the aeroplane response due to engine imbalance.

e. Aerodynamic Model. The aerodynamic forces can have a significant effect on the structural response characteristics of the airframe. While analysis with no aerodynamic forces may be conservative at most frequencies, this is not always the case. Therefore, a validated aerodynamic model should be used. The use of unsteady three-dimensional panel theory methods for incompressible or compressible flow, as appropriate, is recommended for modelling of the windmilling event. Interaction between aerodynamic surfaces and main surface aerodynamic loading due to control surface deflection should be considered where significant. The level of detail of the aerodynamic model should be supported by tests or previous experience with applications to similar configurations. Main and control surface aerodynamic derivatives should be adjusted by weighting factors in the aeroelastic response solutions. The weighting factors for steady flow ($k=0$) are usually obtained by comparing wind tunnel test results with theoretical data.

f. Forcing Function and Gyroscopic Forces. Engine gyroscopic forces and imbalance forcing function inputs should be considered. The imbalance forcing function should be calibrated to the results of the test performed under CS-E 810.

8. VALIDATION.

a. Range of Validation. The analytical model should be valid to the highest windmilling frequency expected.

b. Aeroplane Structural Dynamic Model. The measured ground vibration tests (GVT) normally conducted for compliance with CS 25.629 may be used to validate the analytical model throughout the windmilling range. These tests consist of a complete airframe and propulsion configuration subjected to vibratory forces imparted by electro-dynamic shakers.

(1) Although the forces applied in the ground vibration test are small compared to the windmilling forces, these tests yield reliable linear dynamic characteristics (structural modes) of the airframe and propulsion system combination. Furthermore, the windmilling forces are far less than would be required to induce non-linear behaviour of the structural material (i.e. yielding). Therefore, a structural dynamic model that is validated by ground vibration test is considered appropriate for the windmilling analysis.

(2) The ground vibration test of the aeroplane may not necessarily provide sufficient information to assure that the transfer of the windmilling imbalance loads from the engine is accounted for correctly. The load transfer characteristics of the engine to airframe interface via the pylon should be validated by test and analysis correlation. In particular, the effect of the point of application of the load on the dynamic characteristics of the integrated model should be investigated in the ground vibration test by using multiple shaker locations.

(3) Structural damping values obtained in the ground vibration tests are considered conservative for application to windmilling dynamic response analysis. Application of higher values of damping consistent with the larger amplitudes associated with windmilling analysis should be justified.

c. Aerodynamic Model. The dynamic behaviour of the whole aeroplane in air at the structural frequency range associated with windmilling is normally validated by the flight flutter tests performed under CS 25.629.

d. Engine Model. The engine model covering the engine type-design will normally be validated by the Engine manufacturer under CS-E 520(c)(2) by correlation against blade-off test data obtained in showing compliance with CS-E 810. This is aimed at ensuring that the model accurately predicts initial blade release event loads, any rundown resonant response behaviour, frequencies, potential structural failure sequences, and general engine movements and displacements. In addition, if the Failure of a shaft, bearing or bearing support, results in higher forces being developed, such Failures and their resulting consequences should also be accurately represented.

9. HIGH POWER IMBALANCE CONDITION.

An imbalance condition equivalent to 50 percent of one blade at cruise rotor speed considered to last for 20 seconds may be assumed unless it is shown that the engine will respond automatically and spool down in a shorter period. It should be shown that attitude, airspeed, and altimeter indications will withstand the vibratory environment of the high power condition and operate accurately in that environment. Adequate cues should be available to determine which engine is damaged. Strength and structural endurance need not be considered for this condition.

[Amdt. No.:25/8]